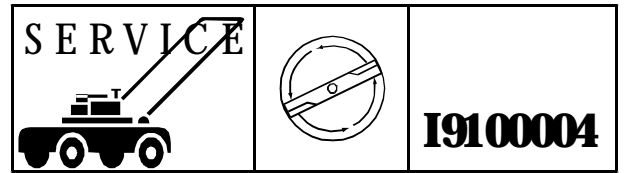


Jonsered



IPL, LT12 38" , 1991.04.01-01

LT12 38"

Spare parts

Ersatzteile

Pièces détachées

Reserve onderdelen

Repuestos

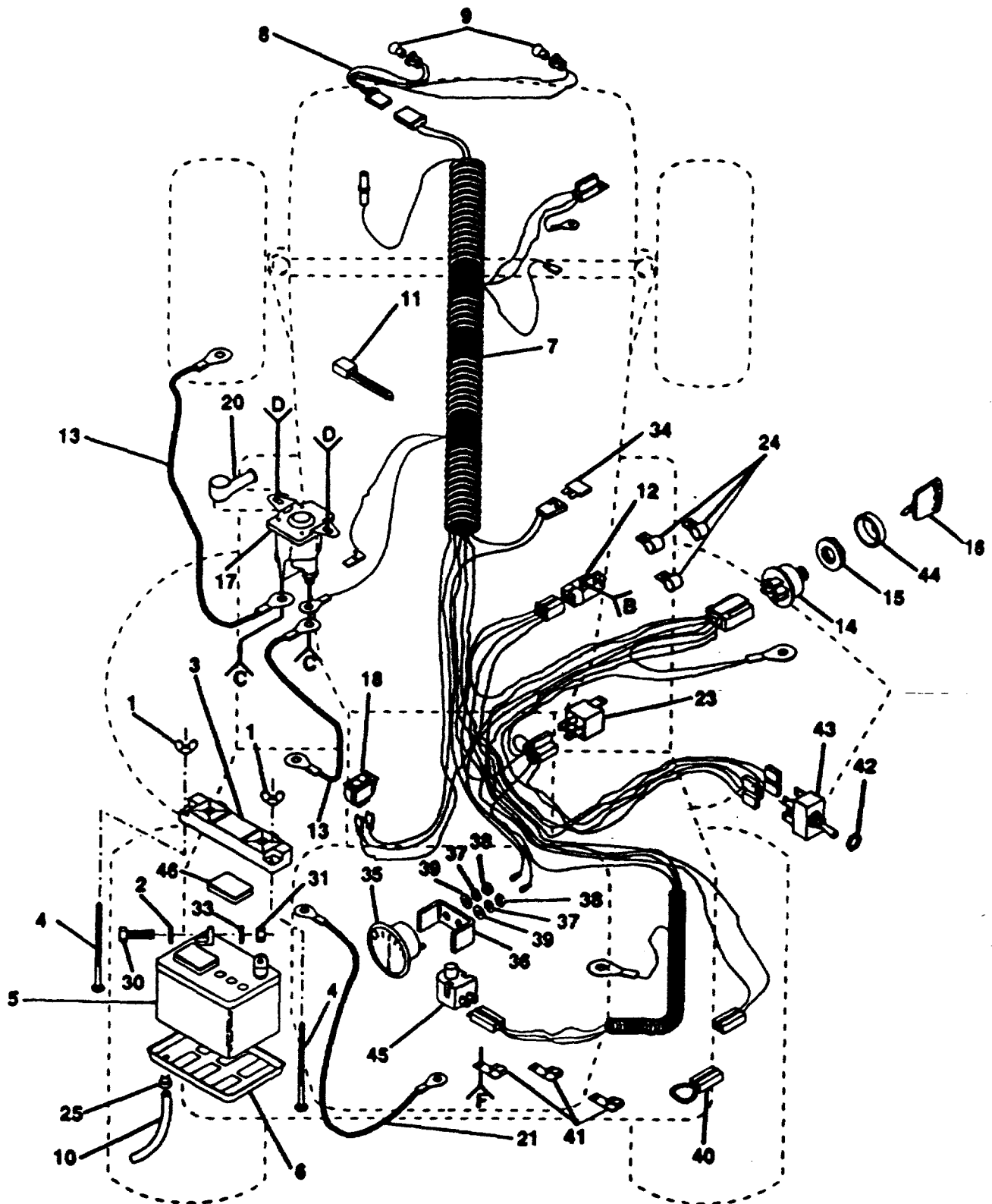
Reservdelar

MODEL NO: J12H38

REPAIR PARTS

12 HP 38" LAWN TRACTOR - MODEL NUMBER J12H38

ELECTRICAL



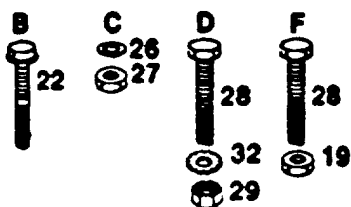
REPAIR PARTS

12 HP 38" LAWN TRACTOR - MODEL NUMBER J12H38

ELECTRICAL

KEY PART NO.	NO.	DESCRIPTION	KEY PART NO.	NO.	DESCRIPTION
1	532 12 31-98	Nut, Wind 1/4-20	26	810 09 04-00	Washer Lock 1/4
2	819 09 10-16	Washer/32 x 518 x 16 Ga	27	873 35 04-00	Nut, Hex, Jam 1/4 -20
3	532 10 24-76	Guard, Terminal	28	874 78 04-08	Bolt, Hex 1/4 20x1/2 Grade 5
4	872 24 04-60	Bdt, Battery (Bolt, Carriage 1/4 - 20x7-1/2)	29	873 51 04-00	Nut, Hex, Keps 1/4~20
5	532 12 15-37	Battery - 506 78 88-01	30	874 76 04-12	Bolt, Hex 1/4 20x3/4
6	532 12 48-86	Tray, Battery	31	873 22 04-00	Nut, Hex 1/4-20
7	532 12 74-75	Harness, Ignition	32	811 05 04-00	Washer, Lock, Toot', External 1
8	532 12 74-41	Harness, Light Socket	33	810 04 04-00	Washer, Lock 1/4
9	532 12 48-93	Bulb, Light	34	532 10 88-24	Fuse
10	532 10 05-41	Tube, Battery Tray	35	532 12 49-00	Ammeter
11	532 12 47-56	Cable, Tie	36	534 12 49-01	Bracket, Ammeter
12	532 10 95-53	Switch, Interlock, Clutch	37	810 10 10-00	Washer, Lock #10
13	532 12 50-99	Cable, Battery	38	873 91 10-00	Nut
14	532 10 29-72	Ignition, Switch	39	819 07 08-18	Washer 7/32x1/2x18 Gauge
15	532 10 97-88	Nut, Ignition	40	532 10 25-01	Loop, Wire
16	532 12 21-47	Key	41	532 12 49-95	Clip, Insulated
17	532 10 90-81	Solenoid	42	532 12 49-32	Nut, Hex
18	532 11 07-12	Switch	43	532 12 60-10	Switch, PTO
19	873 68 04-00	Nut, Hex 1/4-20	44	532 10 97-87	Bezel, Ignition
20	532 12 47-83	Terminal Cover (For Solenoid)	45	532 12 13-05	Switch, Seat
21	532 12 46-65	Cable, Battery (Battery to Ground)	46	532 12 12-64	Cap, Battery
22	817 02 10-08	Screw, Hex Tap Hd. #10-24 UNC x 1/2 Type T	--	532 10 15-39	Sheet, Instruction, Tractor 15. Slope
23	532 10 97-48	Relay	--	532 12 75-46	Manual, Owner's
24	532 12 49-96	Clip	--	532 12 15-49	Decal, Battery, Caution (Batter
25	532 10 95-96	Clamp, Hose	--	532 12 34-42	Sheet. Instruction

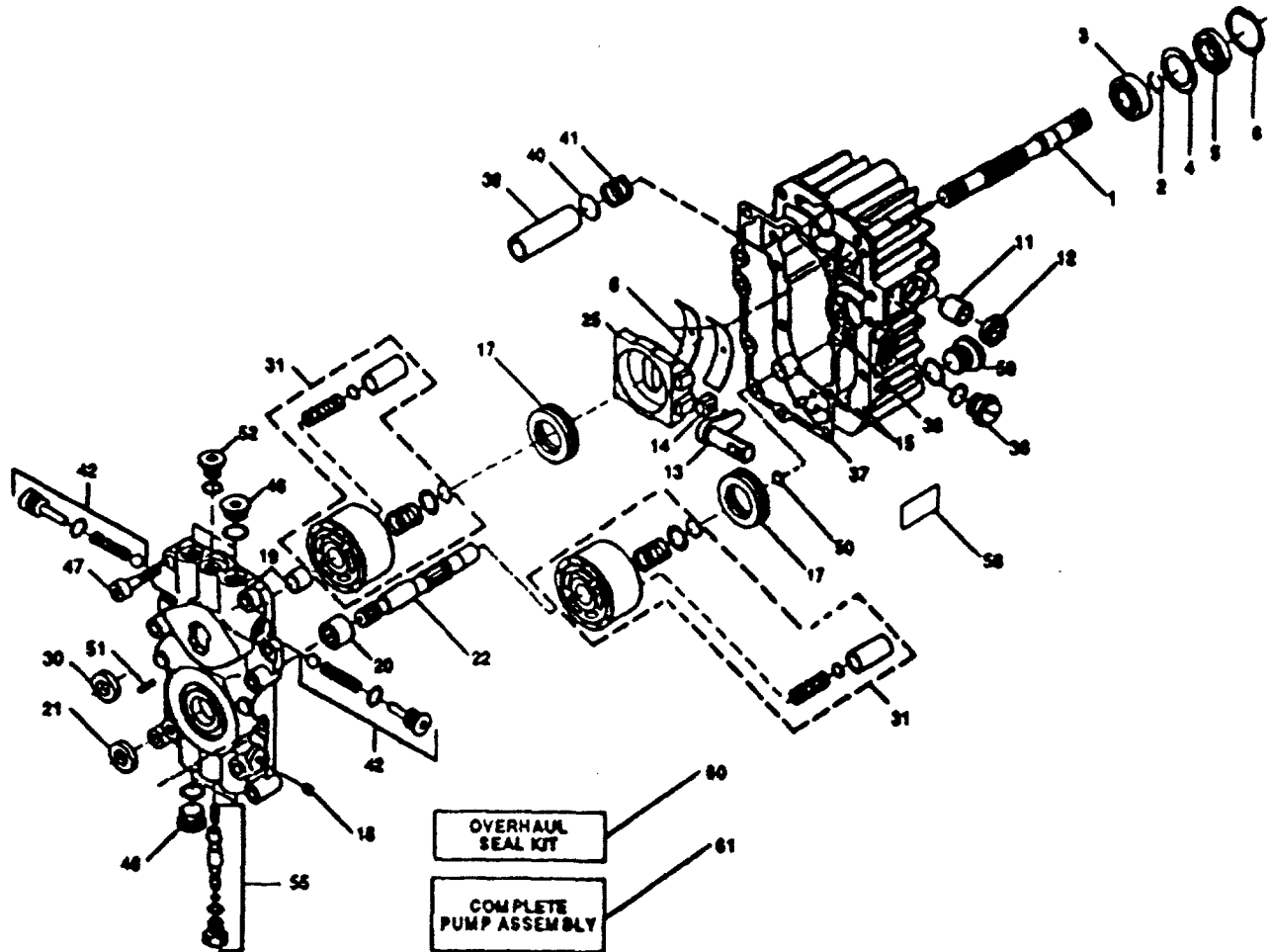
NOTE: All component dimensions given in U.S. inch
1 inch = 25.4 mm



REPAIR PARTS

12 HP 38" LAWN TRACTOR - MODEL NUMBER J12H38 SUNDSTRAND PUMP ASSEMBLY - MODEL NUMBER BDU-10S

PUMP ASSEMBLY



KEY NO.	PART NO.	DESCRIPTION	KEY NO.	PART NO.	DESCRIPTION
1	532 12 27-56	Shaft, Pump	37	532 12 27-86	Pin, St Hdls.
2	532 12 27-16	*Ring, Retaining	38	532 12 27-18	* Gasket, Center Section
3	521 12 27-45	Bearing, Ball	39	532 12 27-31	Filter.
4	532 12 27-15	*Space	40	532 12 27-30	Washer, Thrust
5	532 12 27-00	*Seal, Lip	41	532 12 27-28	Spring, Helical Compression
6	532 12 26-99	*Ring, Retaining	42	532 12 71-52	Check Valve Kit
8	532 12 27-67	Bearing Cradle	46	532 12 27-87	Plug, St. Thd.
11	532 12 27-47	Bearing' Journal	47	532 12 27-52	Scew Socket Head Cap
12	532 12 27-17	*Seal, Lip	50	532 12 27-88	Washer, Thrust
13	532 12 27-48	Arm, Trunnion	51	532 12 27-89	Pin, Spiral
14	532 12 27-49	Guide, Slot	52	532 12 27-54	Plug. St. Thd.
15	532 12 71-46	Housing Kit, Transmission	55	532 12 71-53	Bypass Valve Kit
17	532 12 27-70	Bearing, Thrust Ball	58	532 12 27-27	Adhesive Label, Bar Coded
18	532 12 27-71	Plug, Pipe	59	532 12 27-90	Plug, St. Thd.
19	532 12 71-47	Center Section Kit	60	532 12 71-54	Overhaul Seal Kit, BDU 10 Includes: Items marked with * an O-Rings for Check Valves and Bypass Valve
20	532 12 27-73	Bearing, Needle			
21	532 12 27-22	*Seal, Lip			
22	532 12 27-50	Shaft, Motor			
25	532 12 71-48	Swashplate. Variable	61	532 12 14-30	Complete Pump Assembly
30	512 12 27-23	*Seal, Lip			
31	532 12 71-49	Block Kit, Cylinder			
31	532 12 71-51	Plug, Plastic			

NOTE: All component dimensions given in U.S. inch
1 inch = 25.4 mm

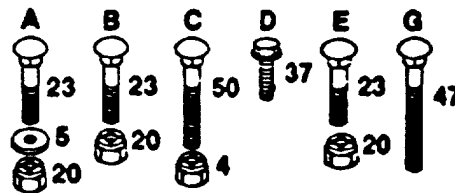
REPAIR PARTS

12 HP 38" LAWN TRACTOR - MODEL NUMBER J12H38

MOWER DECK

KEY PART NO. NO.	DESCRIPTION	KEY PART NO. NO.	DESCRIPTION
1 532 10 60-85	V-Belt	30 532 12 71-62	Arm, Idler
2 532 12 14-58	Housing Assembly	31 532 10 69-02	Spacer
3 532 00 84-17	Runner, R.H.	32 532 12 13-16	Pulley, Idler
4 873 68 06-00	Nut, Crownlock 3/8-16	33 532 10 65-13	Washer, Wear 1/16.
5 819 11 12-16	Washer 11f32 x 3/4 x 16 Gauge	34 532 10 97-29	Roller' Nose
6 872 14 05-05	Bolt, Carriage 5/16-18 x 518	35 532 12 16-87	Mandrel Assembly
7 532 10 58-96	Bracket, Deflector	36 532 10 06-68	Plate, Support, Mandrel
8 532 11 04-52	Nut, Push	37 817 49 06-14	Screw. Hex, Washer Head 3/8-16 x 7/8
9 532 10 67-34	Spring, Deflector	38 532 10 97-76	Pin, Pivot
10 532 10 67-35	Rod, Hinge	39 532 12 22-64	Blade, Mower 3/4 Lift
11 532 10 67-36	Deflector, Shield	40 819 13 20-12	Washer 13f32 x 1-1/4 x 12 Gauge
12 532 10 96-47	Bracket, Nose Roller, R.H.	41 810 03 06-00	Washer, Lock 318
13 532 10 53-04	Cap, Sleeve	42 874 61 06-24	Bolt, Hex 3/8-24x1-1/2 Gra 5
14 532 10 56-62	Link, Parallel	43 532 10 27-27	Spring, Extension
15 532 10 57-44	Pin, Hinge, Front	44 532 11 04-45	Plate, Support, Mandrel
16 532 00 49-21	Spring, Retainer	45 819 13 12-10	Washer 13/32x3/4x10 Gauge
17 532 10 96-46	Bracket, Nose Roller, L.H.	46 819 13 13-18	Washer 13J32 x 13J16 x 16 Gauge
18 532 10 98-35	Pin, Hinge, Rear	47 872 14 06-10	Bolt, Carriage 3/8-16x1-1/4
19 876 02 04-12	Pin, Cotter 1/8x3/4	48 532 12 50-74	Runner, LH.
20 873 68 05-00	Nut, Crownlock 5/16-18	49 819 11 10-18	Washer 11/32x5/8x16 Gauge
21 532 10 95-98	Bracket Lift, R.H.	50 872 14 06-06	Bolt, Carriage 3/8-16 x 3/4
22 532 10 95-97	Bracket Lift, L.H.	51 532 10 58-57	Bracket, Suspension, Rear, R.H.
23 872 14 05-06	Bolt, Carriage 5/16-18x3/4	52 532 10 88-73	Bracket, Suspension, Rear, H.L.
24 874 76 05-12	Bolt, Hex 5116-18 x 1/4	-- 532 12 22-21	Mower Replacement, Complete
25 532 10 95-03	Support, Arm	-- 532 10 86-82	Decal, Belt Instruction
26 532 10 95-04	Stop. Deck, front	-- 532 12 13-49	Decal, Danger (Cut Finger)
27 819 16 16-16	Washer 1/2 x 1 x 16 Gauge	-- 532 10 98-20	Decal, Caution (Rotating Blades)
28 819 15 16-10	Washer 15t32 x 1 x 10 Gauge		
29 874 76 06-36	Bolt 3J8-16x2		

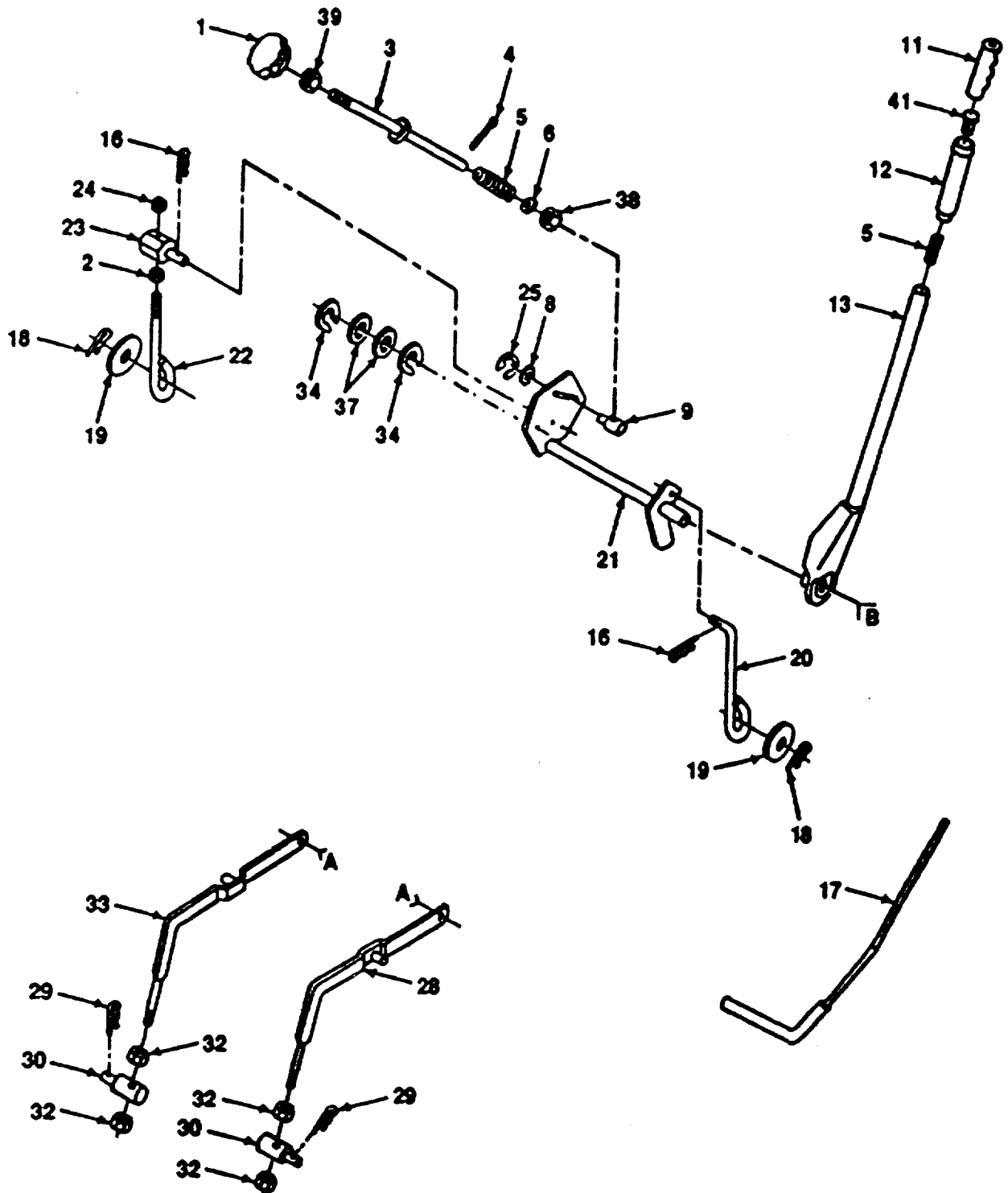
NOTE: All component dimensions given in U.S. inches
1 inch = 25.4 mm



REPAIR PARTS

12 HP 38" LAWN TRACTOR - MODEL NUMBER J12H38

LIFT ADJUSTMENT



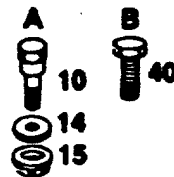
REPAIR PARTS

12 HP 38" LAWN TRACTOR - MODEL NUMBER J12H38

LIFT ADJUSTMENT

KEY PART NO. NO.	DESCRIPTION	KEY PART NO. NO.	DESCRIPTION		
1	532 12 18-91	Handle, Lift Adjustment	21	532 12 10-00	Shaft, Lift, Assembly
2	873 36 07-00	Nut Hex 3/8-6	22	532 11 04-48	Link, Lift, Adjust
3	532 11 07-29	Rod, Adjust, Lift	23	532 11 04-47	Trunnion, Lift
4	876 02 03-08	Pin, Cotter 3/2 x 1/2	24	873 71 07-00	Nut, Lock 7/6-14
5	532 12 48-74	Spring	25	812 00 00-37	Ring, Klip
6	19 13 10-16	Washer 13132 x 5~8 x 16 Gauge.	28	532 12 15-98	Arm, Suspension, R.H.
8	819 15 12-16	Washer 15/32x3/4 x16 Gauge	29	532 00 91-35	Retainer ,Sprig
9	532 11 08-10	Trunnion, Depth Stop	30	532 10 63-08	Trunnion, Lilt, Lower
10	532 10 58-48	B«t, Shoulder 3/8 16	32	873 22 08-00	Nut, Hex, Fin 1/2 13
11	532 10 94-13	Grip, Handle	33	532 12 15-99	Arm, Suspension , L.H.
12	532 12 23-64	Plunger, Lever, Lift	34	512 00 00-22	E Ring
13	532 12 10-02	Lever, Lift	37	819 29 20-16	Washer 2g/32x1 1/4x16 Gauge
14	532 11 07-39	Spring, Washer	38	532 11 08-07	Nut Special
15	873 98 06-00	Nut, Centerlock, Flange 318 16	39	873 35 06-00	Nut, Hex, Jam 3/8-16 UNC
16	532 12 46-70	Retainer, Spring	40	874 78 06-24	Bolt, Hex 318 16x 1 1t2
17	532 12 10-06	Rod, Lever	41	532 12 45-26	Button, Plunger
18	532 00 49-21	Retainer, Spring			
19	819 17 15-16	Washer 17/32x15/16x16 Gauge			
20	532 11 00-29	Link, Lift			

NOTE: All component dimensions given in U.S. inches
1 inch = 25.4 mm



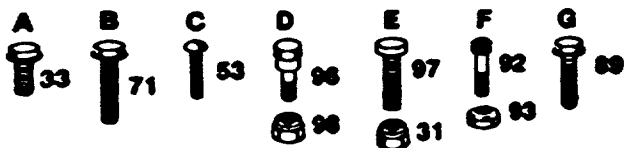
REPAIR PARTS

12 HP 38" LAWN TRACTOR - MODEL NUMBER J12H38

STEERING AND FRONT AXLE

KEY PART NO.	PART NO.	DESCRIPTION	KEY PART NO.	PART NO.	DESCRIPTION
1	532 05 70-79	Washer	51	819 27 20-18	Washer 27t32 x1 114 x16 Gauge
2	532 12 68-05	Insert, Steering Wheel	52	532 11 04-38	Spacer, Bearing
3	873 94 08-00	Nut Toplock, Jam 1/2- 20	53	532 12 28-19	Screw, Special 3/8 16 x 3/4
4	432 10 07-12	Washer	54	532 00 33-66	Bearing
5	532 12 14-72	Wheel, Server	55	873 90 10-00	Locknut, Flange 5/8-11
6	532 10 07-11	Adapter, Steering Wheel	56	532 10 80-75	Axle, Front
7	810 04 04-00	Washer, Lock 1/4	57	532 10 56-54	Spindle, R.H.
5	871 07 04-10	Screw, Hex, Socket 1/4-20x 5/8	58	532 00 02-78	Fitting, Grease
9	532 00 49-21	Spring, Retainer	59	532 06 51-39	Stem, Valve
10	532 10 26-70	Spring, Compression	60	532 05 91-92	Cap, Valve
12	873 61 06-00	Nut Hex, Fin 3/8- 24 UNF	61	532 00 90-40	Bearing
13	532 10 47-57	Cap. Axle	62	532 12 48-01	Rim, Front
14	532 12 12-74	Knob, Gearshift	63	532 10 62-22	Tire, Front
15	532 11 08-45	Rod, Control	64	873 80 06-00	Locknut Hex w/Washer insert 3/8-16 UNC
16	532 12 16-31	Spring, Torsion	65	532 10 82-12	Trunnion
17	532 10 81-96	Bracket, Control Rod	66	532 12 17-50	Rod, Control, Adjustable
18	532 12 40-43	Shaft, Steering	67	532 12 47-88	Clip, Hairpin
20	532 12 40-35	Support, Shaft	68	532 05 99-04	Tube
21	532 12 66-84	Washer, Shim 1/4 x 5/8 x .062	71	817 49 05-08	Screw, Hex, Washer, Thrdrol. 5/16-18 x 1/2
22	532 12 40-36	Bracket, Steering	72	532 12 31-86	Bracket, Chassis, Reinforcement Hydro
24	812 00 00-29	Ring, Klip	73	532 12 48-38	Fitting, Grease
25	532 12 49-31	Bearing, Thrust	74	532 12 17-48	Washer 25/32x1-5/8x16 Gauge
26	532 12 40-33	Shaft, Pitman	77	532 12 40-37	Gear, Pinion
27	532 10 89-72	Washer, Phenolic	78	532 10 98-10	Nyliner, Snap in
28	532 12 40-34	Gear Sector	81	819 13 12-12	Washer 13/32x3/4x12 Gauge
30	876 02 04-12	Pin, Cotter 1/8x3/4	82	532 12 17-49	Washer 25/32x1-11/4 Gauge
31	873 68 06-00	Nut, Crownlock 3/8-16	83	819 11 12-16	Washer 11/32x3/4 x16 Gauge
32	532 10 82-00	Washer, Friction	84	819 15 15-18	Washer 15/32x 15/16 x 16 Gauge
33	817 49 06-12	Screw, Hex, Washer Thrdrol. 3/8-16x3/4	85	532 11 07-39	Washer, Spring
34	532 10 85-18	Bolt, Hex, Shoulder 3/8-16x 1-3/8	86	532 12 12-32	Cap, Spindle
35	819 21 20-10	Washer 21/32x1-1/4x16 Gauge	87	532 12 12-17	Guide, Control
30	532 10 82-01	Spacer	88	532 12 12-18	Bracket Control Guide
37	532 12 12-02	Link, Control, Pump	89	817 49 05-12	Screw, Hex, Washer Thdr 5/16-18x3/4 Type TT
38	532 10 88-44	Spring, Compression	90	817 02 10-08	Screw, Hex Tap #10-24 UNC x
39	819 13 20-12	Washer 13/32 x 1-1/4 x 12 Gauge	91	819 07 08-14	Washer 7/32x1/2x16 Gauge
40	874 76 06-48	Bolt, Hex 3/8-16 x 3	92	874 56 10-14	Screw, Hex, Socket Head #10-24 UNC
41	532 12 12-09	Lever, Pump Control	93	532 06 91-80	Locknut #10-24 UNC
42	532 10 56-53	Support, Saddle, Rear	94	532 12 12-04	Bellcrank
43	874 76 10-60	Bolt, Hex 5/8 11 x3-3/4	95	532 12 12-06	Bracket, Bellcrank Pivot
44	532 10 56-64	Support, Saddle, front	96	532 10 05-36	Bolt Shoulder
45	532 12 40-32	Link, Drag	97	874 76 06-16	Bolt Hex, Fin 3/8-16 UNC x 1
46	810 04 06-00	Washer, Lock 3/8	98	873 68 05-00	Nut, Crownlock 3/8-16 UNC x1
47	810 04 05-00	Washer, Lock 5/16	99	532 12 11-90	Keeper, Centerspan
48	532 12 13-34	Rod, Tie	--	532 12 73-87	Decal, Steering Wheel
49	873 81 05-00	Nut, Hex 5/16-24 UNF			
50	532 10 56-56	Spindle, LH.			

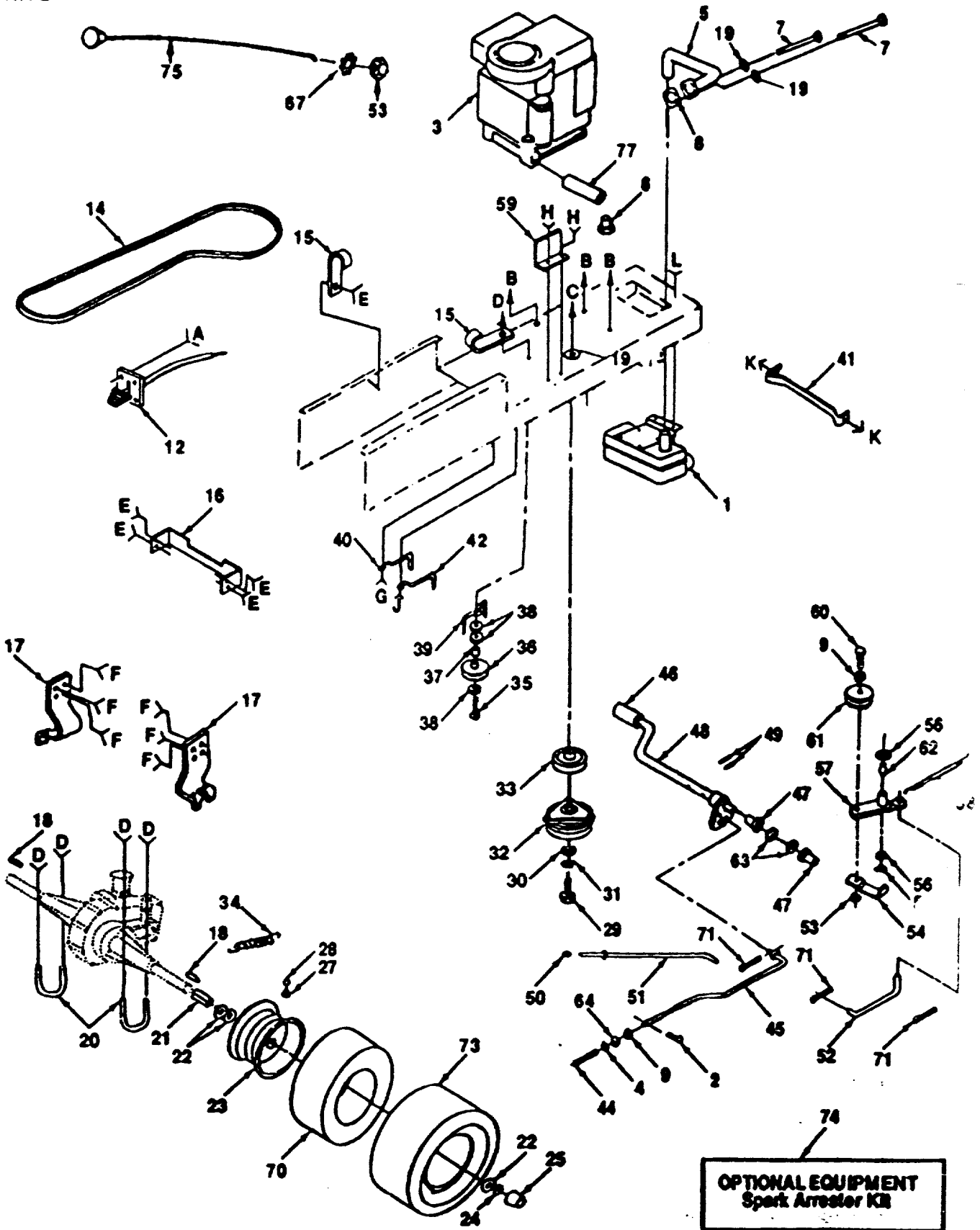
**NOTE: All component dimensions given in U.S. inch
1 inch = 25.4 mm**



REPAIR PARTS

12 HP 38" LAWN TRACTOR - MODEL NUMBER J12H38

DRIVE



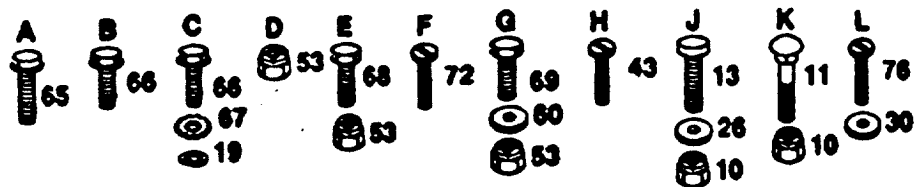
REPAIR PARTS

12 HP 38" LAWN TRACTOR - MODEL NUMBER J12H38

DRIVE

KEY PART NO.	NO.	DESCRIPTION	KEY PART NO.	NO.	DESCRIPTION
1	532 12 30-75	Muffler	41	532 10 91-69	Retainer, Clutch Assembly
2	532 12 47-88	Clip, Hairpin	42	532 10 57-30	Keeper, Bolt Engine, R H.
3	532 12 62-00	Engine, 12HP, Briggs & Stratton, Model Number 281707 Type 0429-01	43	817 02 10-08	Screw, Hex, Tap #10-24x1/2
4	873 35 06-00	Nut, Hex, Jam 3/8-16 UNC	44	532 10 68-88	Spring, Rod, Brake
5	532 12 30-74	Pipe Exhaust 180*	45	532 12 12-00	Rod, Brake
6	-----	Oil Drain Plug (Order from manufacturer)	46	532 12 48-72	Cover, Pedal
7	871 07 05-10	Screw, Hex, Cap 5/16-18 x 5/8	47	532 12 01-83	Bearing, Nylon
8	532 12 55-93	Gasket	48	532 12 24-24	Shaft, Assembly, Foot Pedal
9	819 13 13-16	Washer 13732 x 13/16 x 16 Gauge	49	532 00 15-72	Pin, Roll 3/16x1
10	873 68 05-00	Nut, Crownlock 5/16-18	50	532 07 10-73	Cap, Plunger
11	872 14 05-06	Bolt, Carriage 5/16-18x3/4	51	532 12 56-37	Rod, Brake, Park
12	532 12 30-72	Control, Throttle	52	532 10 57-10	Link, Clutch
13	874 76 05-16	Bolt, Hex 5/16-18 x 1	53	873 68 06-00	Nut, Crownlock 3/8-16
14	532 12 34-61	V-Belt, Drive	54	532 12 32-05	Retainer, Belt
15	532 12 49-96	Clip, Insulated	55	812 00 00-39	Ring, Klip
16	532 12 11-87	Bracket, Mounting, Hydro T/A	56	532 11 08-12	Washer, Hardened
17	532 12 66-49	Bracket, Transaxle	57	532 12 37-89	Arm Assembly, Idler
18	532 12 35-83	Key, Square 1/4x2	58	532 10 57-09	Spring, Return, Clutch
19	810 04 05-00	Washer, Lock, Heavy Helical Spring	59	532 10 82-36	Bracket, Switch
20	532 12 11-89	U-Bolt 3/8-16 x 2.83	60	874 76 06-24	Bolt, Hex 3/8-16x 1-1/2
21	532 12 11-99	Spacer, Spilt	61	532 10 62-98	Pulley, Idler
22	532 12 17-48	Washer 1-1/32x1-5/8x16 Gauge	62	532 10 57-06	Bearing
23	532 12 47-23	Rim, Rear	63	819 21 16-16	Washer 21/32 x 1 x 16 Gauge
24	812 00 00-01	E-Ring	64	873 80 06-00	Locknut, Hex W/Washer insert 3/8-16 UNC ZN
25	532 10 47-57	Cap, Axle	65	817 72 04-10	Screw, Hex, Thread Cut 1/4-20 x 5/8
26	819 11 12-12	Washer 11/32 x 3/4 x 12 Gauge	66	817 49 06-24	Screw, Hex, Wsh. Throd. 3/8-16 x 1-1/2
27	532 06 51-39	Stem, Valve	87	811 05 46-00	Washer, Lock, External Tooh 3/8-16 x 3/4
28	532 05 91-92	Cap, Valve	68	874 76 06-12	Bolt, Hex 3/8-16 x 3/4
29	871 13 07-64	Bolt, Hex, Fin 7/16-20 UNF x4 Grade 8	69	874 76 06-16	Bolt, Hex 3/8-16x1
30	819 11 20-16	Washer 11/32 x 1-1/4 x 18 Gauge	70	532 12 49-26	Tube
31	810 04 07-00	Washer, Lock 7/16	71	876 02 04-12	Pin, Cotter 1/8x3/4
32	532 10 82-18	Clutch, Engine	72	817 49 06-12	Screw, Hex, Thrdrol. 3/8-1 3/4
33	532 10 98-41	Pulley, Engine	73	532 10 62-68	Tire, Rear
34	532 11 04-22	Spring, Brake Return	74	532 12 31-10	Spark Arrester, Kit
35	874 76 06-44	Bolt Hex 3/8-16 x2-3/4	75	532 12 29-26	Control, Choke
36	532 00 48-59	Idler, Flat	76	817 49 05-12	Screw, Hex Washer Thrdrol. 5/16-18 x 3/4
37	532 00 44-70	Spacer	77	532 12 72-22	Pipe, Drain, Oil, Engine
38	819 13 13-12	Washer 13/32 x 13/16 x 12 Gauge	--	532 12 06-01	Decal, 12HP Engine (Engin,
39	532 10 90-70	Retainer, Belt			
40	532 12 12-18	Keeper, Belt, Engine, L.H.			

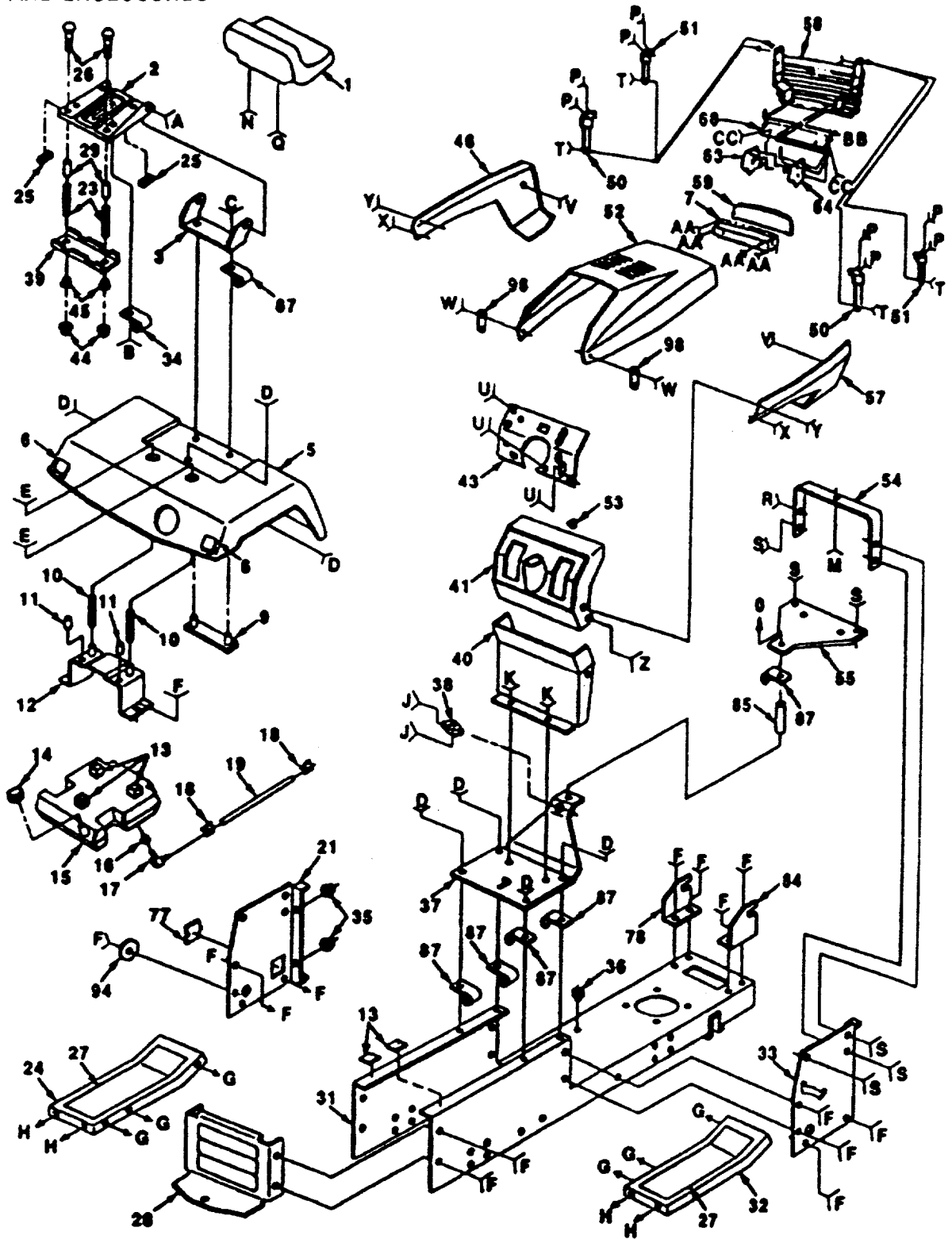
NOTE: All component dimensions given in U.S. inches
1 inch = 25.4 mm



REPAIR PARTS

12 HP 38" LAWN TRACTOR - MODEL NUMBER J12H38

CHASSIS AND ENCLOSURES



- A 65
 - AA 6
 - B 22
 - BB 47
 - C 70
 - CC 48
 - D 71
 - E 62
 - F 72
 - G 74
 - H 96
 - J 75
 - K 30
 - L 76
 - M 49
 - N 86
 - O 82
 - P 77
- 66 60 20 94 70 70 70 80 70 80 81 88 68

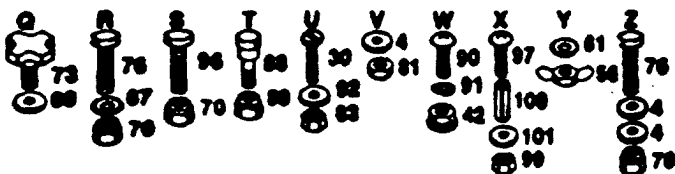
REPAIR PARTS

12 HP 38" LAWN TRACTOR - MODEL NUMBER J12H38

CHASSIS AND ENCLOSURES

KEY PART NO.	NO.	DESCRIPTION	KEY PART NO.	NO.	DESCRIPTION
1	532 12 74-23	Seat	56	873 49 04-00	Not, Wing
2	532 12 42-94	Pan, Seat	57	532 12 49-42	Panel, Side, R.H.
3	532 12 66-56	Bracket, Pivot, Seat	58	532 12 21-00	Grill
4	819 09 12-16	Washer 9/32x374 x16 Gauge	59	532 10 63-95	Lens
5	532 12 49-43	Fender	60	532 10 47-55	'J'. Fastener
6	532 10 62-02	Reflector, Tail Light	61	311 03 04-00	Washer, Lock, int/External Tooth 1/4
7	532 12 49-39	Bezel Assembly	62	619 13 16-14	Washer 13/32 x 1x14 Gauge
8	817 21 10-10	Screw, Hex, Washer, Tap #10-16 x 5/8	63	532 11 08-55	Bracket, Pivot, L.N.
9	532 10 55-11	Strap, Fender	64	532 11 08-54	Bracket, Pivot, R.H.
10	532 12 41-81	Spring, Compression	65	532 10 55-29	Bolt, Shoulder. 5/1-18
11	532 10 55-31	Nut, Push	66	873 68 05-00	Nut, Crownlock 5/16-18
12	532 10 55-09	Bracket, Fender	67	811 05 06-00	Washer, Lock, External Tooth 3-
13	532 00 64-31	Pad, Spacer	68	532 12 49-40	Strap, Grill
14	532 12 35-49	Cap, Fuel	69	819 17 19-12	Washer 17/32x1-3/16x12 Gauge
15	532 10 60-20	Tank, Fuel	70	873 68 06-00	Nut, Crownlock 3/8-16
18	532 12 49-52	Bushing	71	817 49 06-08	Screw, Hex Washer. Thrdrol. 3/8-16x1/2
17	532 12 49-51	Stem, Tank, Fuel	72	817 49 06-12	Screw, Hex, Washer Thrdrol. 3/8-16 x 3/4
18	532 12 34-87	Clamp, Hose	73	532 12 00-68	Knob, Sea 1/2'
19	532 12 49-53	Line, Fuel	74	872 14 06-06	Bolt, Carriage 3/8-18 x 3/4
20	873 95 10-00	Nut, Keps #10	75	817 43 10-08	Screw, Hex, Tap #10-16 x 1/2
21	532 12 41-18	Panel, Dash, L.H.	76	874 76 06-16	Bolt, Hex 3/8-16x1
22	874 64 10-08	Screw, Pen Head #10-32	77	532 12 17-94	Cover, Access
23	532 12 12-50	Spring, Compression	78	532 11 08-52	Bracket, L.H.
24	532 12 49-44	Footrest, L.H.	79	873 51 04-00	Nut, Hex, Keps 1/4-20 UNC
25	532 12 12-51	Strip, Foam	80	873 51 05-00	Nut, Hex, Keps 5/16-18 UNC
26	872 17 04-10	Bolt, Carriage 1/4-20x1-1/4	31	873 22 04-00	Nut, Hex, Fin 1/4-20 UNC
27	532 10 82-56	Pad, Footrest	82	874 76 05-32	Bolt, Hex 5/16-18x2
28	532 12 13-06	Drawbar	83	873 51 05-00	Nut, Keps 5/16-18
29	532 12 12-49	Spacer, Spit .28x.88	84	532 11 08-53	Bracket Assembly, R.H.
30	874 10 05-12	Screw, Mach. Cr. Threaded 5/16-18 x 3/4	85	532 12 12-36	Spacer
31	532 12 71-66	Chassis	86	532 12 70-18	Bolt, Shoulder 5/16-18 x .62
32	532 12 49-47	Footrest, R.H.	87	532 12 49-96	Clip, Insulated
33	532 11 08-28	Panel, Dash, R.H.	88	532 12 34-81	Bolt, Shoulder 1/4 -20
34	532 00 41-71	Clip, insulated	89	873 68 04-00	Nut, Crownlock 1/4 -20
35	532 11 04-36	Grommet, Split	90	874 19 10-08	Screw, Pan, Mach #10-24x1/2
36	532 12 49-34	Grommet	91	810 07 10-00	Washer, Lock #10
37	632 12 47-66	Saddle	92	819 11 11-18	Washer, 11/32x11/16x16 Gauge
38	532 12 47-20	Bushing, Steering	93	819 13 13-12	Washer, 13/32x13/16x 12G
39	532 12 12-46	Bracket, Switch Mount	94	819 11 12-12	Washer, 11/32 x 3/4 x 12 Ga
40	532 10 48-05	Dash Assembly,	96	874 76 06-12	Bolt, Hex 3/8-16x3/4
41	532 12 42-52	Dash	97	874 98 10-20	Screw, Mach. Cr. Pen #10-24x1-1/4
42	532 12 50-04	Nut, Weld	98	532 10 98-08	Latch, Hood
43	532 12 47-69	Plate, Dash	99	873 73 10-00	Nut, Keps 10-24
44	532 12 39-76	Locknut, Hex, Large, Flange	100	532 00 72-06	Spacer, Split 10x3/4
45	632 12 12-48	Bushing Snap	101	819 07 00-18	Washer 7/32x 1/2x 18 Gaug
46	532 12 49-41	Panel, Side, L.H.	--	532 12 73-89	Decal, Hood, L.H.
47	817 19 04-12	Screw, Hex, Washer Thrdcut 1/4-20 x 3/4	--	532 12 73-91	Decal, Hood, R.H.
48	817 49 05-12	Scew, Hex, Washer Thrdrol 5/16-18 x 3/4	--	532 12 74-87	Decal, Hood, (LTH12)
49	811 05 04-00	Washer, Lock, External Tooth 1/4	--	532 12 73-97	Decal, Fender (Fender Rear)
50	532 10 67-84	Strap Assembly, Hinge, Rear	--	532 12 66-79	Decal, Caution (Fender Front)
51	532 10 46-18	Strap assembly, Hinge, Front	--	532 12 66-76	Decal, Clutch/Brake
52	532 12 49-38	Hood	--	532 12 12-15	Decal, Belt instruction (Under Fooke
53	532 00 54-79	Plug, Button	--	532 10 88-13	Decal, Operating instruction (Dash)
54	532 11 08-29	Support, Dash	--	532 12 56-90	Decal, 100 DBA (Top of Fender)
55	532 10 69-65	Plate. Support, Battery			

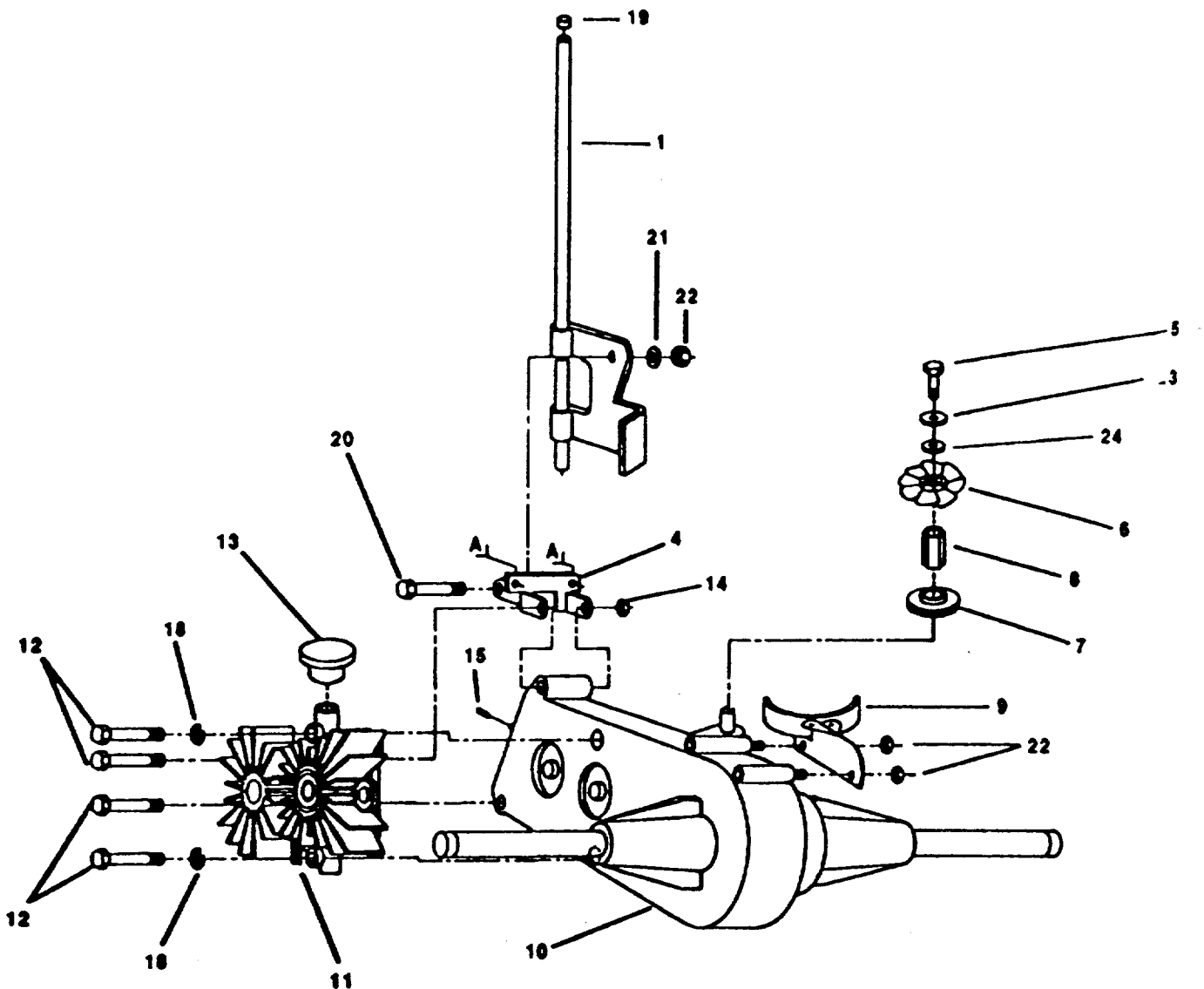
Note: All component dimensions given in U.S. inches
1 inch = 25.4 mm



REPAIR PARTS

12 HP 38" LAWN TRACTOR - MODEL NUMBER J12H38

TRANSAXLE AND PUMP ASSEMBLY



KEY PART NO. NO.	DESCRIPTION
1 532 12 38-34	Control,Asm.,FreeWneel
4 532 12 11-88	Bracket, Mounting Differential
S 874 78 04-12	8dt, Hex 1-20 UNC x 3/4
6 532 12 11-86	Fan, Hydro 8.
7 532 12 11-80	Pulley, transaxle
8 532 12 12-11	Standoff, Fan, Hydro
9 532 12 11-82	Guard Assembly, Belt
10 532 12 14-31	Differential Assembly
11 532 12 14-30	Pump Assembly
12 874 76 05-72	Bolt,Hex,Fin 5/16-18 UNCx 4.5
13 532 12 13-23	Reservoir, Pump
14 873 68 05-00	Nut, Crowd 5,116-18
15 532 12 12-S0	Spring, Coon
18 874 76 06-12	Bolt 3/8 x16 x 3/4
17 873 66 06-00	Nut, Crownlock 3/8~18UNC

KEY PART NO. NO.	DESCRIPTION
18 810 04 05-00	Washer, Lock
19 532 07 16-73	Cap, Plunger
20 532 12 48-15	Bolt, Shoulder 1/4-20 UNC
21 532 12 05-29	Washer, Nylon
22 873 68 04-00	Nut, Crownlock 1/4-20 UNC
23 819 09 20-16	Washer 9/32 x 1/4 x 16 Gauge
24 810 0d .0-400	Washer, Lock

NOTE: All component dimensions given in U.S. inches.
1 inch = 25.4 mm

