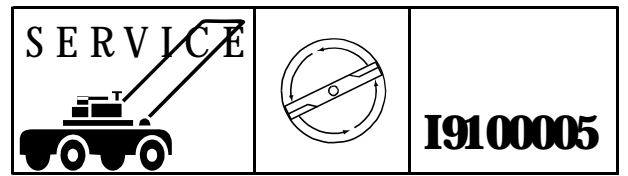


# Jonsered



IPL, 555 RDE, 1991-04-01

# 555 RDE

**Spare parts**

**Ersatzteile**

**Pièces détachées**

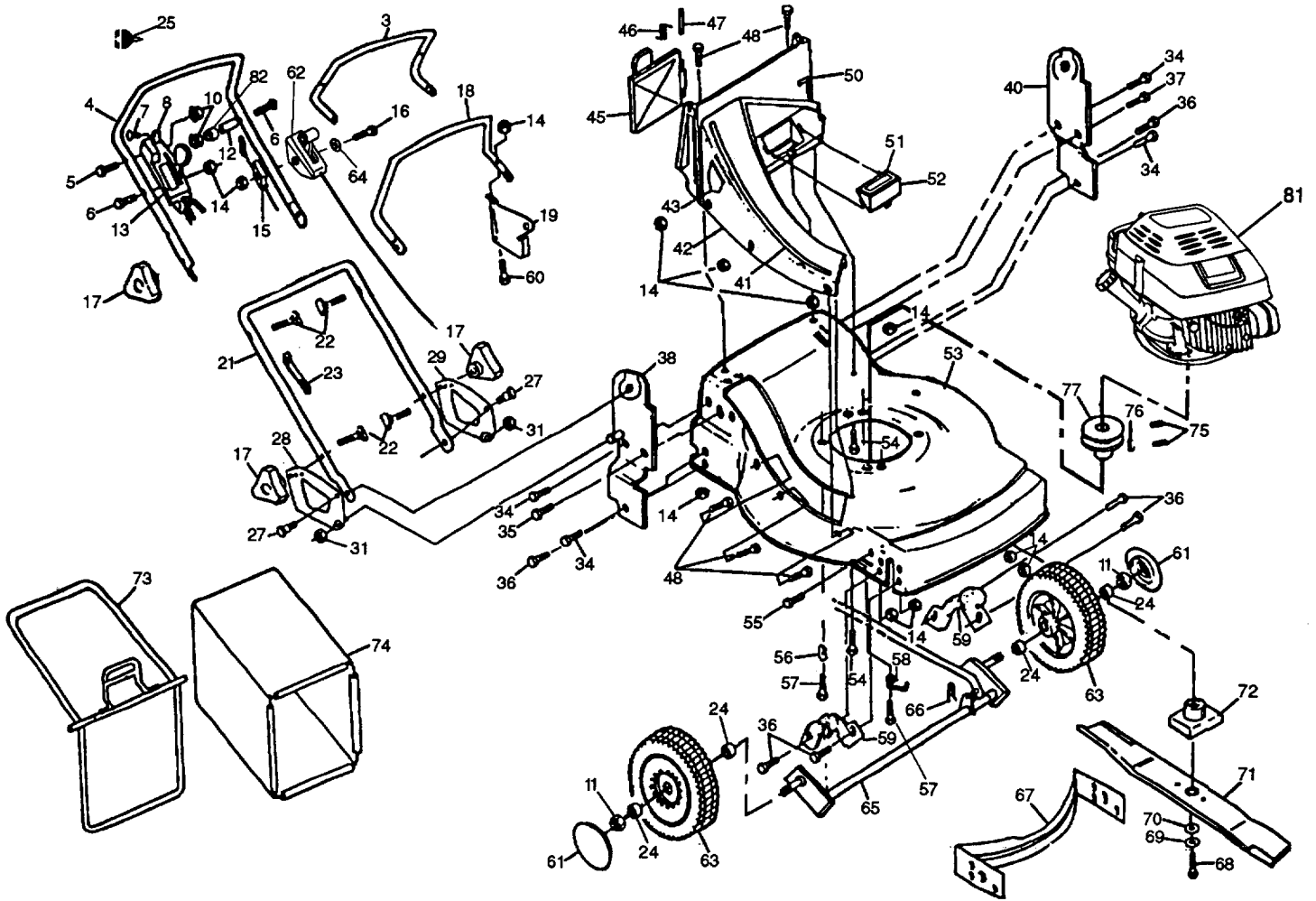
**Reserve onderdelen**

**Repuestos**

**Reservdelar**

# REPAIR PARTS

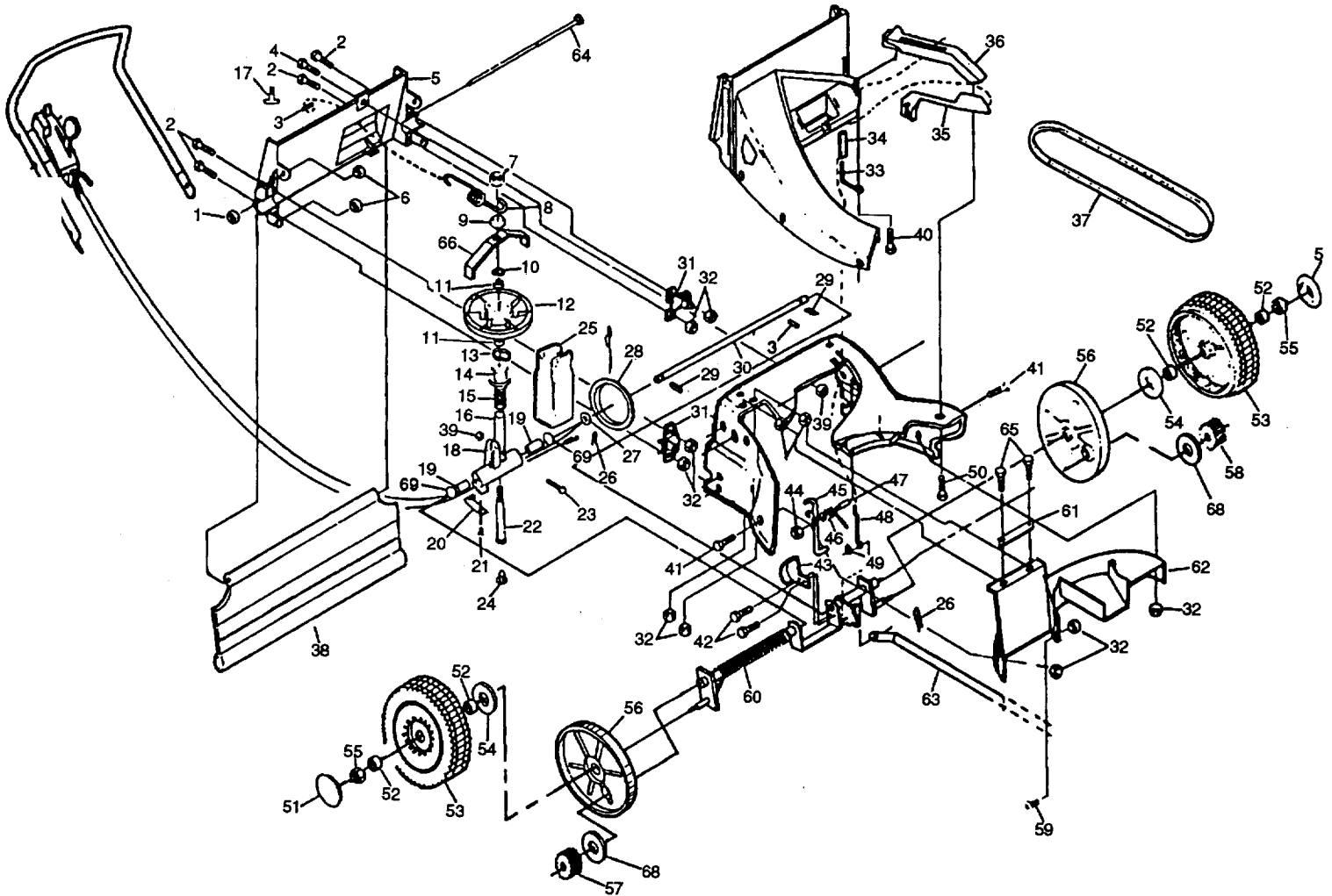
22" ROTARY LAWN MOWER MODEL NUMBER J555RDEA PRODUCT NUMBER 954 05 45-01



KEY NO.	PART NO.	PART NAME	KEY NO.	PART NO.	PART NAME
3	532 12 52-81	Drive Control Bar	43	532 10 73-39	Danger Decal (English/French)
4	532 12 52-53	Upper Handle	45	532 75 06-96	Rear Door
5	532 12 88-89	Machine Screw 1/4-20 x 2-3/4	46	532 75 07-83	Spring (L.H.)
6	532 12 88-90	Machine Screw 1/420 x 2-1/4	47	532 75 08-93	H'inge Rod
7	532 75 15-84	Screw #6-20 x3/8	48	532 75 18-72	Truss Head Screw 1/420 x 1/2
8	532 75 20-31	Drive/Speed Control Assembly	50	532 75 13-39	Quick 7 Decal
10	532 12 88-61	Hex Nut	51	532 75 11-16	Battery Decal
11	532 08 39-23	Locknut 3/8-16	52	532 75 07-00	Battery Cover
12	532 75 13-85	Spacer	53	532 13 08-59	Lawn Mower Housing (includes Key #67)
13	532 80 13-17	Speed Control Decal	54	532 75 11-55	Screw #8-16 x 1
14	532 08 83-49	Locknut 1/4-20	55	532 06 15-28	Flat Head Machine Screw 1/4-20 x 3/4
15	532 85 16-65	Engine Zoné Control Cable	56	532 12 50-78	Engine Washer
16	532 08 56-92	Hex Head Bolt 1/420 x 1-1/2	57	532 85 09-98	Hex Head Thread Rolling Screw 3/8-16 x 1-1/8
17	532 06 36-88	Handle Knob	58	532 85 10-00	Beit Snubber
18	532 12 52-51	Enoie Control Bar	59	532 75 08-38	Torque Tube Bushing
19	532 12 52-54	Cable Puli	60	532 06 25-09	Truss Head Screw 1/4-20 x 1
21	532 12 52-55	Lower Handle	61	532 80 05-45	Hubcap
22	532 05 87-14	Handle Boit 5/16-18 x 1-3/4	62	532 12 88-78	Throttle Control
23	532 06 64-26	Wire Tie	63	532 80 13-78	Wheel and Tire Assembly
24	532 75 10-68	Bearing	64	532 08 57-23	Washer
25	532 12 21-47	Ianition Key	65	532 12 52-75	Front torque Assembly
27	532 75 21-83	Shoulder Boit	66	532 06 36-40	Cotter Pin
28	532 12 52-57	Handle Unk(Right)	67	532 12 52-76	Front Baffle
29	532 12 52-56	Handle Unk(Left)	68	532 85 10-84	Hex Head Screw 3/8-24 x 1-3/8
31	532 06 31-24	Locknut	69	532 85 02-63	Helical Lock Washer
34	532 05 28-89	Hex Head Bolt 5/16-18 x 7/8	70	532 85 10-74	Hardened Washer
35	532 08 26-78	HexHeadBoit 5/16-18x1-3/8	71	532 85 09-73	22. Blade
36	532 06 52-31	Hex Head Machine Screw 1/4-20 x 1/2	72	532 85 15-14	Blade Adapter
37	532 05 30-89	Hex Head Bolt 5/16-18 x 1 -3/4	73	532 75 18-66	Catcher Frame
38	532 75 19-81	Handle Bracket Assembly (Right)	74	532 80 11-60	Grass Catcher
40	532 75 19-79	Handle Bracket Assembly (toft)	75	532 05 97-08	Set Screw 1/420 x 5/16
41	532 75 13-36	Tunnel Stripe Decal	76	532 08 76-77	Hi-Pro Key #HP-505
42	532 75 06-94	Hi-Vac Tunnel	77	532 08 45-96	Engine Pulley
			81	-----	Tecumseh Engine Model No. TVS120
			82	532 75 16-25	Spacer
			--	532 12 86-36	Operator's Manual

# REPAIR PARTS

22" ROTARY LAWN MOWER MODEL NUMBER J555RDEA PRODUCT NUMBER 954 05 45-01



KEY NO.	PART NO.	PART NAME
1	532 06 91-80	Speed Nut
2	532 05 79-68	Hex Head Boit 1/4-20 x 3/4
3	532 08 80-28	Roll Pin
4	532 08 69-74	Hex Washer Head Screw 10-24 x 7/16
5	532 75 20-37	Back Plate
6	532 07 00-95	Locknut 5/16 - 18
7	532 75 02-53	Locknut 5/16 - 18
8	532 75 18-88	Drive Spring
9	532 75 08-92	Spacer
10	532 06 53-02	Retaining Ring
11	532 75 19-91	Bearing
12	532 75 06-84	Pulley
13	532 75 16-59	Wave Washer
14	532 75 06-80	Stand-Off
15	532 75 08-34	Compression Spring
16	532 75 06-79	Oilite Bearing
17	532 12 52-78	Retainer Spnrg
18	532 75 19-93	Drive Housing
19	532 75 19-92	Bearing
20	532 12 52-62	Clamp
21	532 08 40-26	Hex Threaded Screw #10-24 x 1/2
22	532 11 14-20	Boit 5/16-18 x 3-1/4
23	532 75 19-96	Shoulder Bolt
24	532 75 22-62	Plug
25	532 12 52-61	Rocker Arm
26	532 06 36-40	Cotter Pin
27	532 05 21-60	Washer
28	532 75 06-88	Friction Wheei Assembly
29	532 85 00-18	Drive Pawl
30	532 75 16-67	Drive Shaft Kit fincludes Key # 19)
31	532 75 06-99	Pivot Cap
32	532 75 11-52	Locknut 1/420
33	532 75 09-98	Slide Indicator
34	532 75 09-93	Height Indicator
35	532 75 06-98	Single Point Lever

KEY NO.	PART NO.	PART NAME
36	532 75 08-29	Hi-Vac Handle
37	532 75 20-32	Drive Beir
38	532 75 08-98	Rear Deflector
39	532 07 41-89	Locknut #10-24
40	532 75 11-55	Screw #8-16x1
41	532 05 38-30	Carriage Boit 1/4-20 x 1/2
42	532 05 45-83	Hex Tapping Screw 1/4-20 x 1/2
43	532 12 52-77	Hi-Vac Shield
44	532 75 11-53	Locknut 5/16-18
45	532 75 07-08	Engagement Unkage
46	532 75 09-95	Torsion Spring
47	532 75 08-48	Spacer
48	532 75 09-94	Unk Indicator
49	532 75 18-18	Speed Nut
50	532 75 11-54	Screw# 8-16 x 5/8
51	532 80 11-53	Hubcap
52	532 75 10-68	Bearing
53	532 80 15-91	Wheel and Tire Assembly
54	532 06 77-25	Washer
55	532 08 39-23	Locknut 3/8-16
56	532 75 07-34	Dust Cover
57	532 75 22-58	Drive Pinion (Right)
58	532 75 22-59	Drive Pinion (toft)
59	532 08 78-70	Truss Head Screw 1/4-20 x 5/8
60	532 80 11-12	Rear Torque Assembly
61	532 12 52-79	Stiffener
62	532 75 21-60	Hi-Vac Bame
63	532 12 52-80	Height Tube
64	532 12 87-73	Skirt Rod
65	532 75 18-72	Truss Head Screw 1/4-20 x 1/2
66	532 12 52-60	Beit Keeper
68	532 75 19-99	Pinion Seal
69	532 05 70-72	Seai