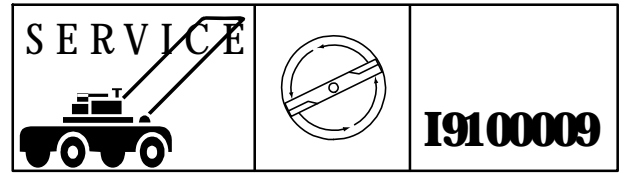


Jonsered



IPL, YTH16, 1991-04-01

YTH16 44"

Spare parts

Ersatzteile

Pièces détachées

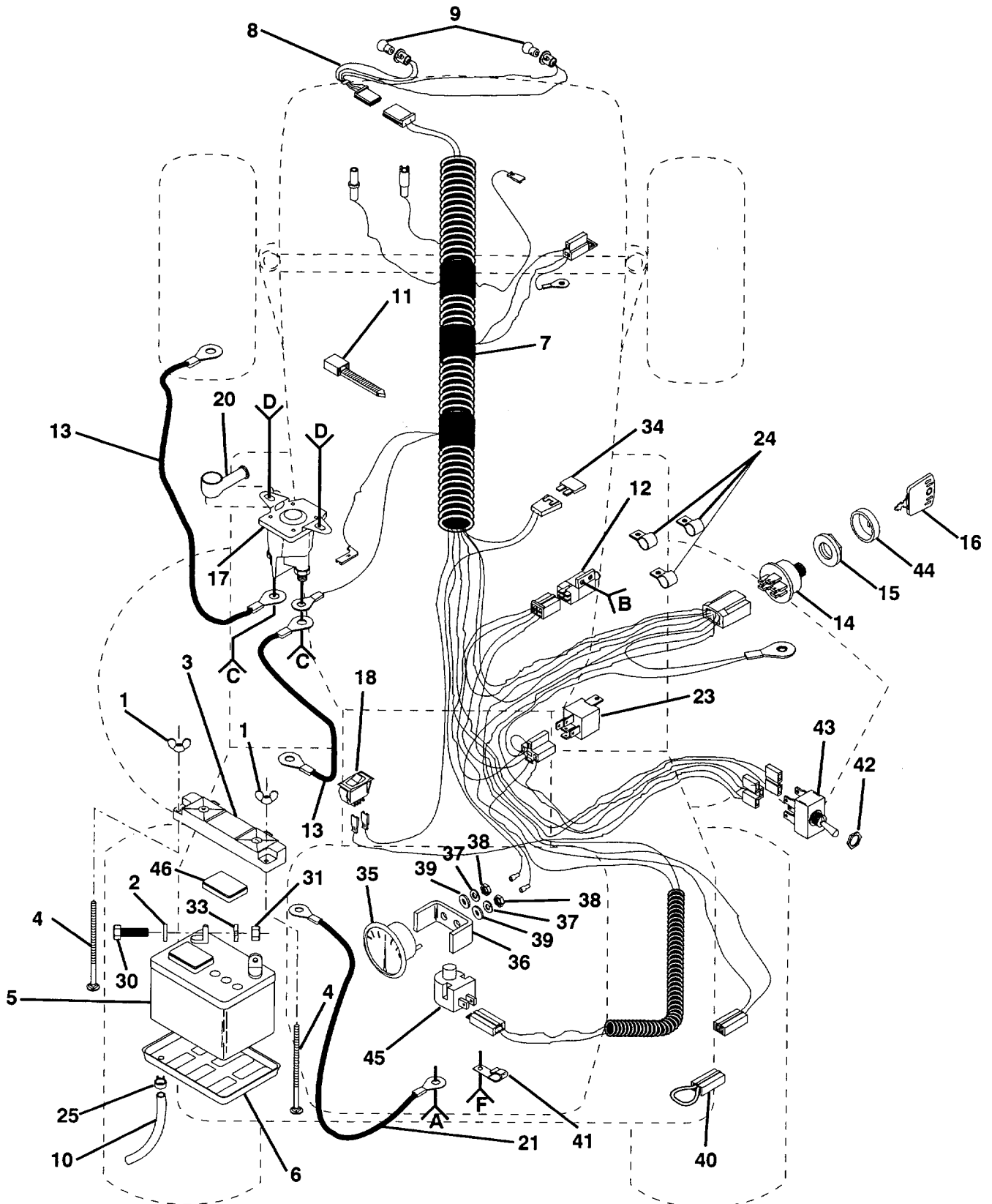
Reserve onderdelen

Repuestos

Reservdelar

REPAIR PARTS

16 HP 44" RINDING YARD TRACTOR - MODEL NUMBER J16H44
ELECTRICAL



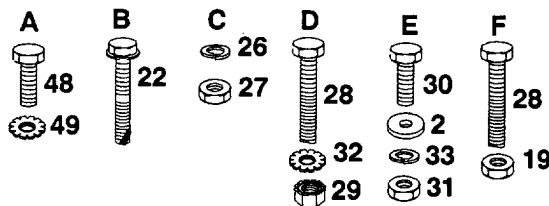
REPAIR PARTS

16 HP 44" RIDING YARD TRACTOR - MODEL NUMBER J16H44

ELECTRICAL

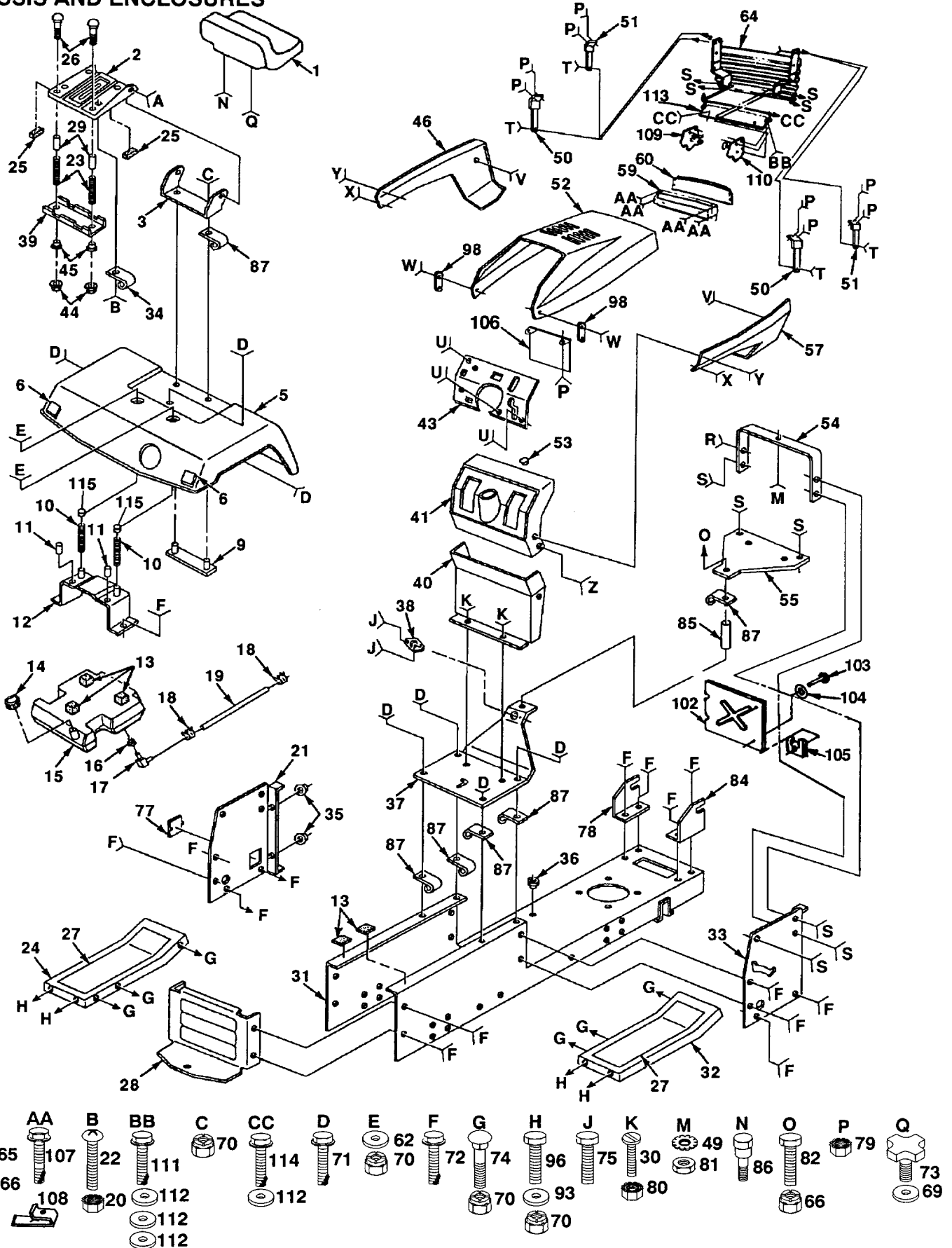
KEY PART NO. NO.	DESCRIPTION	KEY PART NO. NO.	DESCRIPTION
1	532 12 31-98 Nut, Wing 1/4-20	29	873 51 04-00 Nut, Hex, Keps 1/4-20
2	819 09 10-16 Washer 9/32 x 5/8 x 16 Ga.	30	874 76 04-12 Bolt, Hex 1/4-20 x 3/4
3	532 10 24-76 Guard, Terminal	31	873 22 04-00 Nut, Hex 1/4-20
4	872 24 04-60 Bolt, Battery (Bolt, Carriage 1/4-20 x 7-1/2)	32	811 05 04-00 Washer, Lock, Tooth, External 1/4
5	532 12 15-37 Battery	33	810 04 04-00 Washer, Lock 1/4
6	532 12 48-86 Tray, Battery	34	532 10 88-24 Fuse
7	532 12 56-20 Harness, ignition	35	532 12 49-00 Ammeter
8	532 12 74-41 Harness, Light Socket	36	534 12 49-01 Bracket, Ammeter
9	532 12 48-93 Bulb, Light	37	810 10 10-00 Washer, Lock #10
10	532 10 05-41 Tube, Battery Tray	38	873 91 10-00 Nut
11	532 12 47-56 Cable, Tie	39	819 07 08-18 Washer 7/32 x 1/2 x 18 Gauge
12	532 10 95-53 Switch, Interlock, Clutch	40	532 10 25-01 Loop, Wire
13	532 12 47-70 Cable, Battery	41	532 12 49-95 Clip, Insulated
14	532 10 29-72 Ignition, Switch	42	532 12 49-32 Nut, Hex
15	532 10 97-88 Nut, Ignition	43	532 12 60-16 Switch, PTO
16	532 12 21-47 KeY	44	532 10 97-87 Bezel, Ignition
17	532 10 90-81 So~enoid	45	532 12 13-05 Switch, Seat
18	532 11 07-12 Switch	46	532 12 12-64 Cap, Battery
19	873 68 04-00 Nut, Hex 1/4-20	48	874 76 06-16 Bolt-Fin Hex 3/8-16 UNC x 1
20	532 12 47-83 Terminal Cover (For Solenoid)	49	811 05 06-00 Washer, Lock, Ext. Tooth 3/8
21	532 12 47-73 Cable, Battery (Battery to Ground)	-	532 12 15-49 Decal, Battery, Caution (Battery)
22	817 02 10-08 Screw, Hex Tap Hd #10-24 UNC x 1/2 Type T	--	532 12 57-42 Owner's Manual (English)
23	532 10 97-48 Relay	--	532 10 15-39 Sheet, Instruction, Tractor 15° Slope (English)
24	532 12 49-96 Clip	-	532 12 57-43 Owner's Manual (French)
25	532 10 95-96 Clamp, Hose	--	532 10 15-72 Sheet, instruction Tractor 15° Slope (French)
26	810 09 04-00 Washer, Lock 1/4		
27	873 35 04-00 Nut, Hex, Jam 1/4-20		
28	874 78 04-08 Rr~lt 14=v 1 /d On Y 1 /O ~r::~ ii		

NOTE: All component dimensions given in U.S. inches
1 inch=25.4mm



REPAIR PARTS

16 HP 44" RIDING YARD TRACTOR - MODEL NUMBER J16H44 CHASSIS AND ENCLOSURES

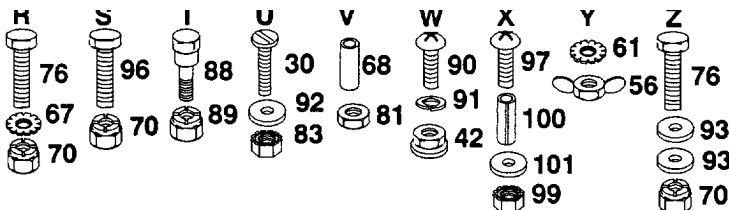


REPAIR PARTS

16 HP 44" RIDING YARD TRACTOR - MODEL NUMBER J16H44

CHASSIS AND ENCLOSURES

KEY PART NO. NO.	DESCRIPTION	KEY PART NO. NO.	DESCRIPTION
1 532 12 74-29	Seat	64 532 12 21-00	Grill Assy. (Incl. Key Nos. 58, 59, 60)
2 532 12 42-94	Pan, Seat	65 532 10 55-29	Bolt, Shoulder 5/16-18
3 532 12 66-56	Bracket, Pivot, Seat	66 873 68 05-00	Nut, Crownlock 5/16-18
5 532 12 49-23	Fender	67 811 05 06-00	Washer, Lock, External Tooth 3/8
6 532 10 62-02	Reflector, Taillight	68 532 00 12-60	Spacer
9 532 10 55-11	Strap, Fender	69 819 17 19-12	Washer 17/32 x 1 -3/16 x 12 Gauge
10 532 12 41-81	Spring, Compression	70 873 68 06-00	Nut, Crownlock 3/8-16
11 532 10 55-31	Nut, Push	71 817 49 06-08	Screw, Hex, Wash Thrdrl. 3/8-16 x 1/2
12 532 10 55-09	Bracket, Fender	72 817 49 06-12	Screw, Hex, Wash Thrdrl. 3/8-16 x 3/2
13 532 00 64-31	Pad, Spacer	73 532 12 00-68	Knob, Seat 1/2"
14 532 12 35-49	Cap, Fuel	74 872 14 06-06	Boit, Carriage 3/8-16 x 3/4
15 532 10 60-20	Tank, Fuel	75 817 43 10-08	Screw, Hex, Tap #10-16 x 1/2
16 532 12 49-52	Bushing	76 874 76 06-16	Bolt, Hex 3/8-16x1
17 532 12 49-51	Stem, Tank, Fuel	77 532 12 17-94	Cover, Access
18 532 12 34-87	Clamp, Hose	78 532 11 08-52	Bracket Assembly, L.H.
19 532 12 49-53	Line, Fuel	79 873 51 04-00	Nut, Hex, Keps 1/4-20 UNC
20 873 95 10-00	Nut, Keps #10	80 873 51 05-00	Nut, Hex, Keps 5/16-18 UNC
21 532 12 41-18	Panel, Dash, L.H.	81 873 22 04-00	Nut, Hex, Fin, 1/4-20 UNC
22 874 64 10-08	Screw, Pan Head #10-32	82 874 76 05-32	Bolt, Hex 5/16-18 x 2
23 532 12 37-40	Spring, Compression	83 873 51 05-00	Nut, Keps 5/16-18
24 532 12 49-44	Footrest, L.H.	84 532 11 08-53	Bracket Assembly, R.H.
25 532 12 12-51	Strip, Foam	85 532 12 12-36	Spacer
26 872 17 04-10	Bolt, Carriage 1/4-20 x 1-1/4	86 532 12 70-18	Bolt, Shoulder 5/16-18 x .62
27 532 10 82-56	Pad, Footrest	87 532 12 49-96	Clip, Insulated
28 532 12 13-06	Drawbar	88 532 12 34-81	Bolt, Shoulder 1/4-20
29 532 12 12-49	Spacer, Split	89 873 68 04-00	Nut, Crownlock 1/4-20
30 874 18 05-12	Screw, Mach. Cr. Thrd 5/16-18 x 3/4	90 874 19 10-08	Screw, Pan, Mach. #10-24 x 1/2
31 532 12 71-66	Chassis	91 810 07 10-00	Washer, Lock #10
32 532 12 49-47	Footrest, R.H.	92 819 11 11-16	Washer 11/32 x 11/16 x 16 Gauge
33 532 11 08-28	Panel, Dash, R.H.	93 819 13 13-12	Washer 13/32 x 13/16 x 12 Gauge
34 532 00 41-71	Clip, Insulated	96 874 76 06-12	Boit, Hex 3/8- 16 x 3/4
35 532 11 04-36	Grommet, Split	97 874 98 10-20	Screw, Mach. Cr. Pan #10-24 x 1-1/4
36 532 12 49-34	Grommet	98 532 10 98-08	Latch, Hood
37 532 12 47-66	Saddle	99 873 73 10-00	Nut, Keps #10-24
38 532 12 47-20	Bushing, Steering	100 532 00 72-06	Spacer, Split 10 x 3/4
39 532 12 12-46	Bracket, Switch Mount	101 819 07 08-18	Washer 7/32 x 1/2 x 18 Gauge
40 532 10 48-05	Dash Assembly, Lower	102 532 10 81-05	Shield, Heat
41 532 12 42-52	Dash	103 532 12 36-50	Stud 1/4 Turn
42 532 12 50-04	Nut, Weld	104 532 10 58-38	Retainer 114 Turn
43 532 12 47-69	Plate, Dash	105 532 10 58-39	Receptacle 1/4 Turn
44 532 12 39-76	Locknut, Hex, Large, Flange	106 532 12 30-91	Baffle, Vertical
45 532 12 12-48	Bushing, Snap	107 817 21 10-10	Screw, Hex Hd. Washer Hd. Tap. #10-16x5/8
46 532 12 49-41	Panel, Side, L.H.		"J" Fastener
49 811 05 04-00	Washer, Lock, Ext. Tooth. 1/4	108 532 10 47-55	Bracket Assembly, L.H., Pivot
50 532 10 67-84	Strap Assembly, Hinge, Rear	109 532 11 08-55	Bracket Assembly, R.H., Pivot
51 532 10 46-18	Strap Assembly, Hinge, Front	110 532 11 08-54	Screw, Hex Wash. Thr. 5/16-18 x 3/4
52 532 12 49-38	Hood	111 817 49 05-12	Washer 11/32 x 3/4 x 12
53 532 00 54-79	Plug, Button	112 819 11 12-12	Strap, Grill
54 532 11 08-29	Support, Dash	113 532 12 49-40	Screw, Hex Wash. Thrd Cut 1/4-20 UNC x 3/4
55 532 10 69-65	Plate, Support, Battery	114 817 19 04-12	Cap, Spring
56 873 49 04-00	Nut, Wing	115 532 12 42-38	Decal, Hood, L.H.
57 532 12 49-42	Panel, Side, R.H.	- - 532 12 73-89	Decal, Hood, R.H.
59 532 12 49-39	Bezel Assembly	- - 532 12 73-91	Decal, Fender (Fender, Rear)
60 532 10 63-95	Lens	- - 532 12 73-97	Decal, Clutch/Brake (Dani/Nor/Fin)
61 811 03 04-00	Washer, Lock, InVExt. Tooth. 1/4	- - 532 12 66-76	Decal, Belt Inst. (Under Footrest)
62 819 13 16-14	W/-oh-r 1q/~20 v 1 v 1A =~^	- - 532 12 12-15	Decal, Hood, YTH16
		- 532 12 59-54	Decal, Oper/Warn Swed/Danish)
		- 532 12 66-79	Decal, Oper/Warn Norwea/Fi nnish)
		- 532 12 66-80	Decal, Certificatio ~TOD o(Fender)
		- 532 12 61-87	

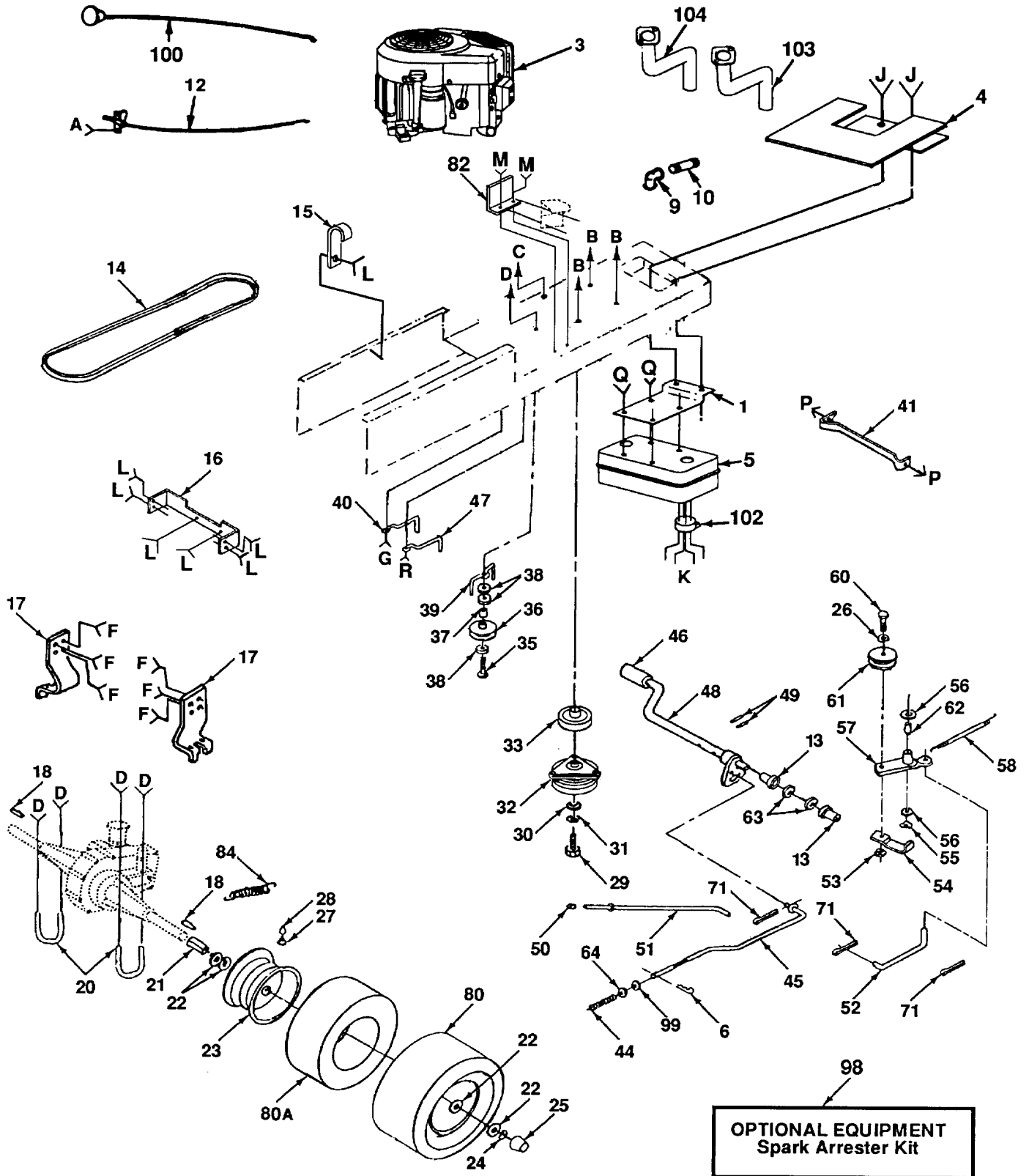


NOTE: All component dimensions given in U.S.inches
1 inch = 25.4 mm

REPAIR PARTS

16 HP 44" RIDING YARD TRACTOR - MODEL NUMBER J16H44

DRIVE



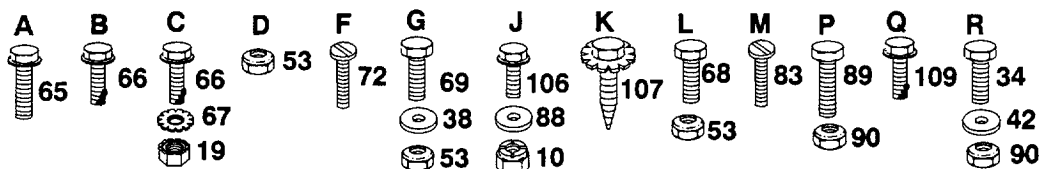
REPAIR PARTS

16 HP 44" RIDING YARD TRACTOR - MODEL NUMBER J16H44

DRIVE

KEY PART NO. NO.	DESCRIPTION	KEY PART NO. NO.	DESCRIPTION		
1	532 12 24-39	Bracket, Muffler, Mounting	52	532 10 57-10	Link, Clutch
3	532 12 24-36	Engine, 16 H.P. Model Number 303777, Type Number 0015-02	53	873 68 06-00	Locknut 3/8-16
4	532 12 29-81	Shield, Heat	54	532 12 32-05	Retainer, Belt
5	532 12 24-40	Muffler	55	812 00 00-39	Ring, Klip
6	532 12 47-88	Clip, Hairpin	56	532 11 08-12	Washer, Hardened
9	813 20 03-00	Coupling, Pipe, Std. 3/8-16 NPT Elbow, 90° 3/8-18 NPT	57	532 12 37-89	Arm, Assembly, Idler
10	813 28 03-36	Nipple, Pipe	58	532 10 57-09	Spring, Return, Clutch
12	532 12 30-72	Control, Throttle	60	874 76 06-24	Bolt, Hex 3/8-16 x 1 -1/2
13	532 12 01-83	Bearing, Nylon	61	532 12 37-66	Idler, V-Groove
14	532 12 34-61	V-Belt, Drive	62	532 10 57-06	Bearing
15	532 12 49-96	Clip	63	819 21 16-16	Washer 21/32 x 1 x 16 Gauge
16	532 12 11-87	Bracket, Mounting, Hydro	64	873 80 06-00	Locknut, Hex. w/Wsh Ins. 3/8-16 UNC
17	532 12 66-49	Bracket, Transaxle	65	817 72 04-10	Screw, Hex Thrd. Cut 1/4-20 x 5/8
18	532 12 35-83	Key, Square 2.5 x .1845/.1865	66	817 49 06-24	Bolt, Hex Washer Thdrol. 3/8- i6 x 1-1/2
19	873 61 06-00	Nut, Keps 3/8-24 UNF	67	811 05 06-00	Washer, Lock, External Tooth 3/8
20	532 12 11-89	U-Bolt 3/8-16 x 2-3/4	68	874 76 06-12	Bolt, Hex 3/8-16 x 3/4
21	532 12 11-99	Spacer, Split	69	874 76 06-16	Bolt, Hex 3/8-16 x 1
22	532 12 17-48	Washer 1 -1/32 x 1 -5/8 x 16 Gauge	71	876 02 04-12	Pin, Cotter 1/8 x 3/4
23	532 12 47-23	Rim, Rear	72	817 49 06-12	Screw, Hex Wsh. Thdrol. 3/8-16 x 3/4
24	812 00 00-01	E-Ring	80	532 10 62-68	Tire
25	532 10 47-57	Cap, Axle	80A	532 12 49-26	Tube
26	819 13 13-16	Washer 13/32 x 13/16 x 16 Gauge	82	532 10 82-36	Bracket, Switch
27	532 06 51-39	Stem, Valve	83	817 02 10-08	Screw, Tap Hex Hd. #10-24 x 1/2 Type T
28	532 05 91-92	Cap, Valve	84	532 11 04-22	Spring, Brake
29	874 61 07-64	Bolt, Hex 7/16-20 x 4	88	819 13 16-14	Washer 13/32 x 1 x 14 Gauge
30	532 12 61-97	Washer 1-1/2 x 15/32 x 1/4	89	872 14 05-06	Boit, Carriage 5/16-18 x 3/4
31	810 04 07-00	Washer, Lock 7/16	90	873 68 05-00	Locknut 5/16-18
32	532 10 82-18	Clutch, Electric	98	532 12 18-51	Spark Arrester Screen
33	532 10 98-41	Pulley, Engine	99	873 35 06-00	Nut, Hex, Jam 3/8 x 16 UNC
34	874 76 05-16	Bolt, Hex 5/16-18 x 1	100	532 12 29-26	Control, Choke
35	874 76 06-44	Bolt, Hex 3/8- 16 x 2-3/4	102	532 10 13-26	Deflector, Muffler
36	532 00 48-59	Idler, Flat	103	532 12 24-35	Tube, Manifold, R.H.
37	532 00 44-70	Spacer	104	532 12 24-34	Tube, Manifold, L.H.
38	819 13 13-12	Washer 13/32 x 13/16 x 12 Gauge	106	817 49 05-12	Screw, Hex Wsh. Thd. Roll. 5/16-18 x 3/4
39	532 10 90-70	Retainer, Belt	107	817 03 08-08	Screw, Hex, Spider Lock 8x1 x1/2
40	532 12 12-18	Keeper, Belt, Engine, L.H.	109	817 19 04-08	Screw, Washer Thdrl. 1/4-20 x 1/2
41	532 10 91-69	Clutch, Retainer, Assembly	--	532 12 59-71	Decal, Air Cleaner, 16HP (Engine)
42	819 11 12-12	Washer 11/32 x 3/4 x 12 Gauge	--	532 12 31-61	Decal, Engine Instruction (Engine)
44	532 10 68-88	Spring, Rod, Brake			
45	532 12 12-00	Rod, Brake			
46	532 12 48-72	Cover, Pedal			
47	532 10 57-30	Keeper, Belt, Engine			
48	532 12 24-24	Shaft, Foot Pedal Assembly			
49	532 00 15-72	Pin, Roll 3/16 x 1			
50	532 07 16-73	Cap, Plunger			
51	532 12 56-37	Rod, Brake, Park			

NOTE: All component dimensions given in U.S. inches
1 inch = 25.4 mm

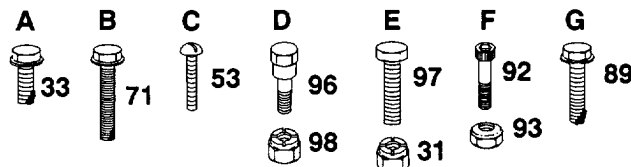


REPAIR PARTS

16 HP 44" RIDING YARD TRACTOR - MODEL NUMBER J16H44 STEKRING AND FRONT AXLE

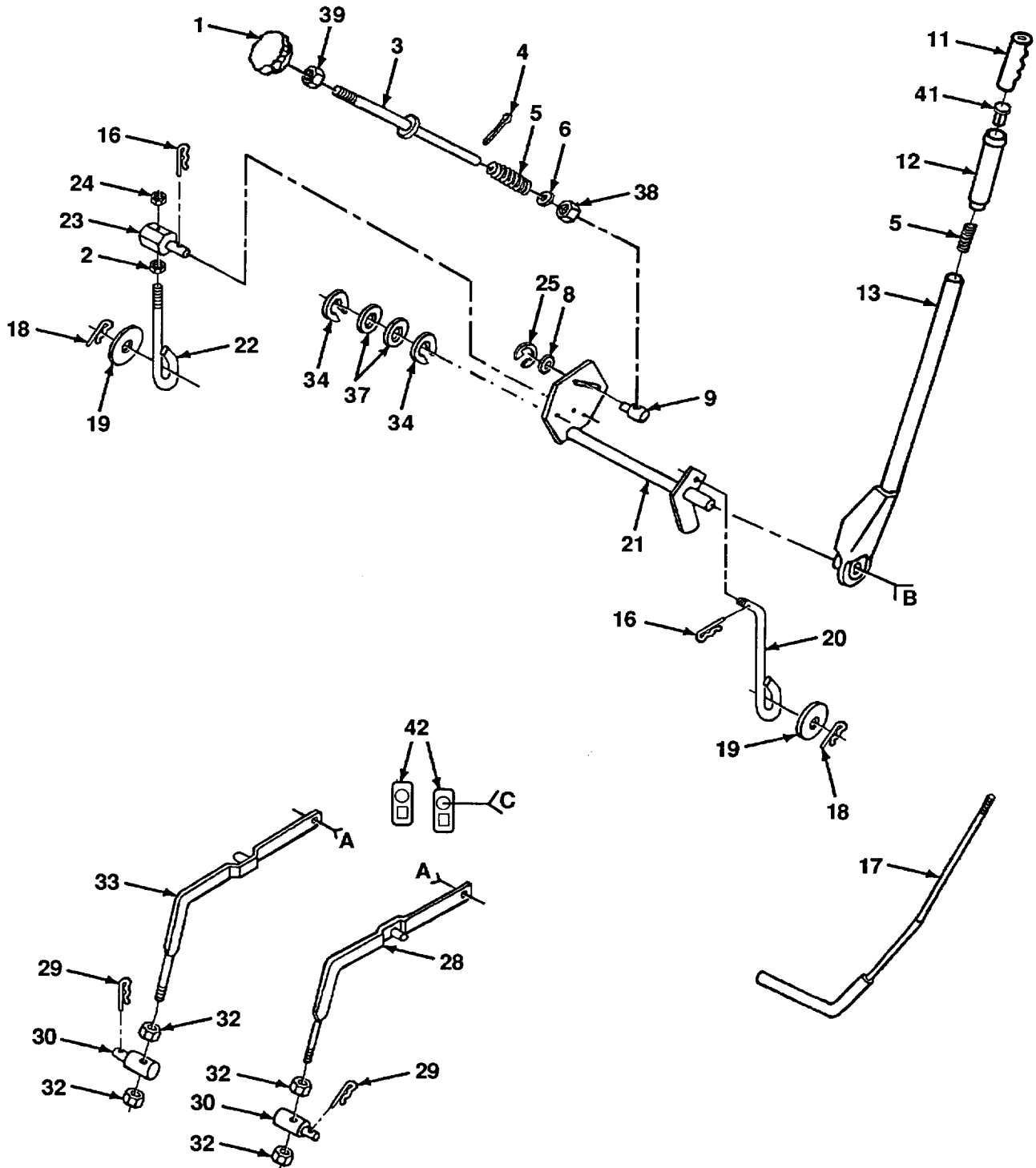
KEY PART NO. NO.	DESCRIPTION	KEY PART NO. NO.	DESCRIPTION
1	532 05 70-79 Washer	53	532 12 28-19 Screw, Special 3/8-16 x 3/4
2	532 12 68-05 Insert, Steering Wheel	54	532 00 33-66 Bearing
3	873 94 08-00 Nut, Toplock, Jam 1/2-20	55	873 90 10-00 Locknut, Flange 5/8-11
4	532 10 07-12 Washer	56	532 10 80-75 Axle, Front
5	532 12 14-72 Wheel, Steering	57	532 10 56-54 Spindle, R.H.
6	532 10 07-11 Adapter, Steerina Wheel	58	532 00 02-78 Fitting, Grease
7	810 04 04-00 Washer, Lock 114	59	532 06 51-39 Stem, Valve
8	871 07 04-10 Screw, Hex, Socket 1 /4-20 x 5/8	60	532 05 91-92 Cap, Valve
9	532 00 49-21 Spring, Retainer	61	532 00 90-40 Bearing
10	532 10 26-70 Spring, Compression	62	532 12 48-01 Rim, Front
12	873 61 06-00 Nut, Hex, Fin 3/8-24 UNF	63	532 10 62-22 Tire, Front
13	532 10 47-57 Cap, Axle	64	873 80 06-00 Locknut, Hex w/Washer Insert 3/8-16 UNC
14	532 12 12-74 Knob, Gearshift		
15	532 11 08-45 Rod, Control	65	532 10 82-12 Trunnion
16	532 12 16-31 Spring, Torsion	66	532 12 17-50 Rod, Control, Adjustable
17	532 10 81-96 Bracket, Control Rod	67	532 12 47-88 Clip, Hairpin
18	532 12 40-43 Shaft, Steering	68	532 05 99-04 Tube
20	532 12 40-35 Support, Shaft	71	817 49 05-08 Screw, Hex, Washer, Thrdol. 5/16-18 x 1/2
21	532 12 66-84 Washer, Shim 1/4 x 5/8 x .062		
22	532 12 40-36 Bracket, Steering	72	532 12 31-86 Bracket, Chassis, Reinforcement, Hydro
24	812 00 00-29 Ring, Kiip		
25	532 12 49-31 Bearing, Thrust	74	532 12 17-48 Washer 25/32 x 1 -5/8 x 16 Gauge
26	532 12 40-33 Shaft, Pitman	77	532 12 40-37 Gear, Pinion
27	532 10 89-72 Washer, Phenolic	78	532 10 98-16 Nyliner Snap In
28	532 12 40-34 Gear, Sector	81	819 13 12-12 Washe; 13/32 x 3/4 x 12 Gauge
30	876 02 04-12 Pin, Cotter 1/8 x 3/4	82	532 12 17-49 Washer 25/32 x 1-1/4 x 16 Gauge
31	873 68 06-00 Nut, Crownlock 3/8-16	83	819 11 12-16 Washer 11/32 x 3/4 x 16 Gauge
32	532 10 82-00 Washer, Friction	84	819 15 15-16 Washer 15/32 x 15/16 x 16 Gauge
33	817 49 06-12 Screw, Hex, Washer Thrdol. 3/8- 16 x 3/4	85	532 11 07-39 Washer, Spring
		86	532 12 12-32 Cap, Spindle
34	532 10 85-18 Bolt, Hex, Shoulder 3/8-16 x 1-3/8	87	532 12 12-17 Guide, Control
35	819 21 20-16 Washer 21/32 x 1-1/4 x 16 Gauge	88	532 12 12-16 Bracket, Control Guide
36	532 10 82-01 Spacer	89	817 49 05-12 Screw, Hex Washer Thrdol. 5/16-18x3/4TypeTT
37	532 12 12-02 Link, Control, Pump		
38	532 10 88-44 Spring, Compression	90	817 02 10-08 Screw, Hex, Tap #10-24 UNC x 1/2
39	819 13 20-12 Washer 13/32 x 1-1/4 x 12 Gauge	91	819 07 08-16 Washer 7/32 x 1/2 x 16 Gauge
40	874 76 06-48 Bolt, Hex 3/8-16 x 3	92	874 56 10-14 Screw, Hex, Socket Head #10-24 UNC
41	532 12 12-09 Lever, Pump Control		
42	532 10 56-63 Support, Saddle, Rear	93	532 06 91-80 Locknut #10-24 UNC
43	874 76 10-60 Bolt, Hex 5/8-11 x 3-3/4	94	532 12 12-04 Bellcrank
44	532 10 56-64 Support, Saddle, Front	95	532 12 12-06 Bracket, Bellcrank Pivot
45	532 12 40-32 Link, Drag	96	532 10 05-36 Bolt, Shoulder
46	810 04 06-00 Washer, Lock 3/8	97	874 76 06-16 Bolt, Hex, Fin 3/8-16 UNC x 1
47	810 04 05-00 Washer, Lock 5/16	98	873 68 05-00 Nut, Crownlock 5/16-18
48	532 12 13-34 Rod, Tie	99	532 12 11-90 Keeper, Centerspan
49	873 81 05-00 Nut, Hex 5/16-24 UNF	--	532 12 73-87 Decal, Steering, Wheel, Insert.
50	532 10 56-56 Spindle, L.H.		
51	819 27 20-16 Washer 27/32 x 1-1/4 x 16 Gauge		
52	532 11 04-38 Spacer, Bearing		

NOTE: All component dimensions given in U.S. inches
1 inch = 25.4 mm



REPAIR PARTS

16 HP 44" RIDING YARD TRACTOR - MODEL NUMBER J16H44 LIFT ADJUSTMENT



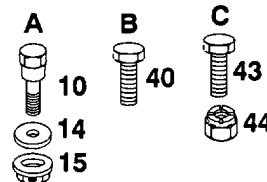
REPAIR PARTS

16 HP 44" RIDING YARD TRACTOR - MODEL NUMBER J16H44

LIFT ADJUSTMENT

1	532 12 18-91	Handle, Lift Adjustment	23	532 11 04-47	Trunnion, Lift
2	873 36 07-00	Nut, Hex 3/8-16	24	873 71 07-00	Locknut 7/16-14
3	532 11 07-29	Rod, Adjust, Lift	25	812 00 00-37	Ring, Klip
4	876 02 03-08	Pin, Cotter 3/32 x 1/2	28	532 12 15-98	Arm, Suspension, R.H.
5	532 12 48-74	Spring	29	532 00 91-35	Retainer, Spring
6	819 13 10-16	Washer 13/32 x 5/8 x 16 Gauge	30	532 10 63-08	Trunnion, Lift, Lower
8	819 15 12-16	Washer 15/32 x 3/4 x 16 Gauge	32	873 22 08-00	Nut, Hex, Fin 1/2-13
9	532 11 08-10	Trunnion, Depth Stop	33	532 12 15-99	Arm, Suspension, L.H.
10	532 10 58-48	Bolt, Shoulder 3/8-16	34	812 00 00-22	E-Ring
11	532 10 94-13	Grip, Handle	37	819 29 20-16	Washer 29/32 x 1 -1/4 x 16 Gauge
12	532 12 23-64	Plunger, Lever, Lift	38	532 11 08-07	Nut, Special
13	532 12 10-02	Lever, Lift	39	873 35 06-00	Nut, Hex, Jam 3/8-16 UNC
14	532 11 07-39	Spring, Washer	40	874 78 06-24	Bolt, Hex 3/8-16 x 1 -1/2
15	873 98 06-00	Nut, Centerlock, Flange 3/8-16	41	532 12 45-26	gutton, Plunger
16	532 12 46-70	Retainer, Spring	42	532 12 12-52	Upstop, Mower
17	532 12 10-06	Rod, Lever	43	872 14 06-08	Bolt, Carriage 3/8-16 UNC x 1
18	532 00 49-21	Retainer, Spring	44	873 68 06-00	Nut, Crownlock 3/8-16UNC
19	819 17 15-16	Washer 17/32 x 15/16 x 16 Gauge			
20	532 11 00-29	Link, Lift			
21	532 12 10-00	Shaft, Lift, Assembly			
22	532 11 04-48	Link, Lift, Adjust			

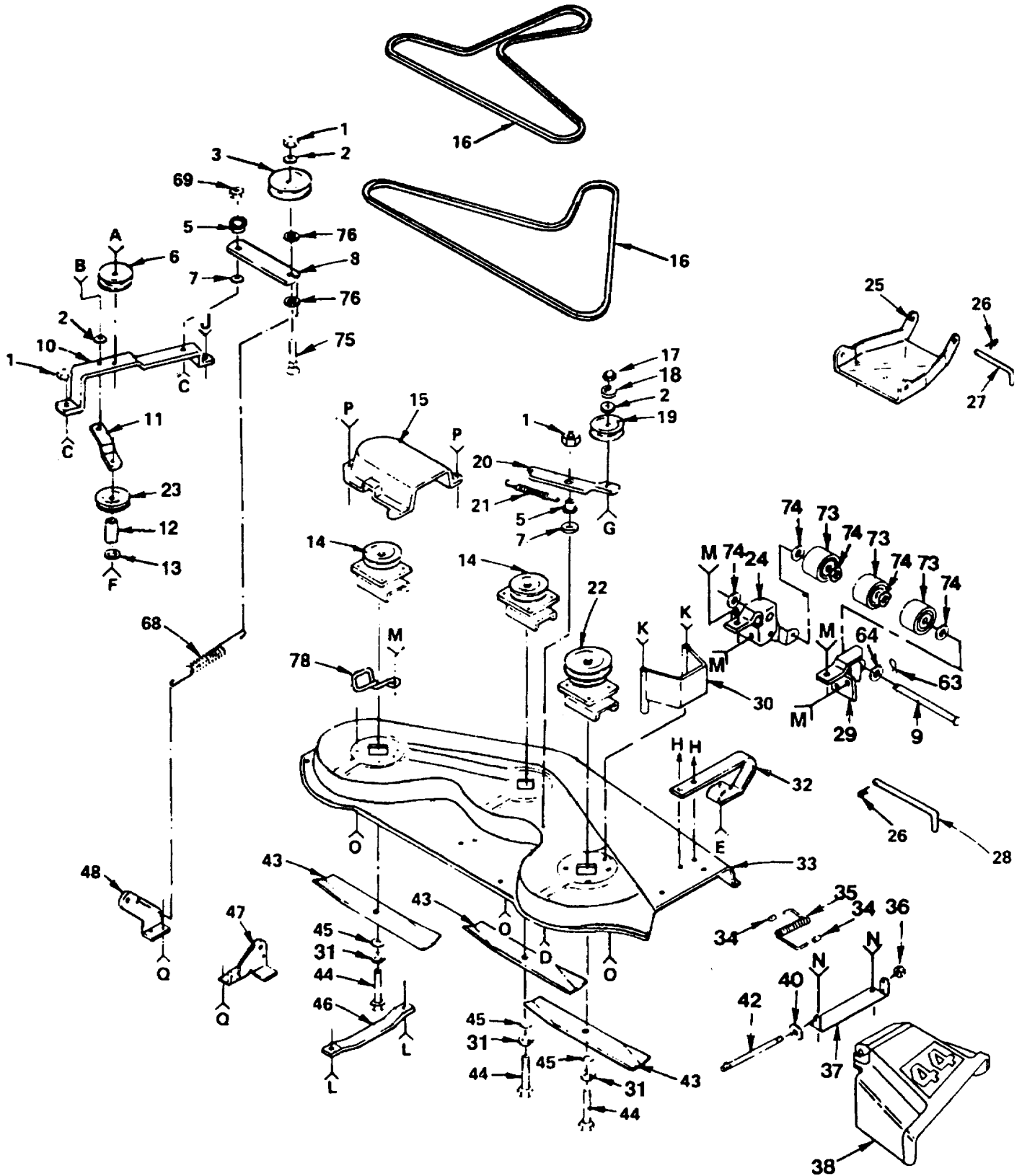
NOTE: All component dimensions given in U.S. inches
1 inch=25.4mm



REPAIR PARTS

16 HP 44" RIDING YARD TRACTOR - MODEL NUMBER J16H44

MOWER



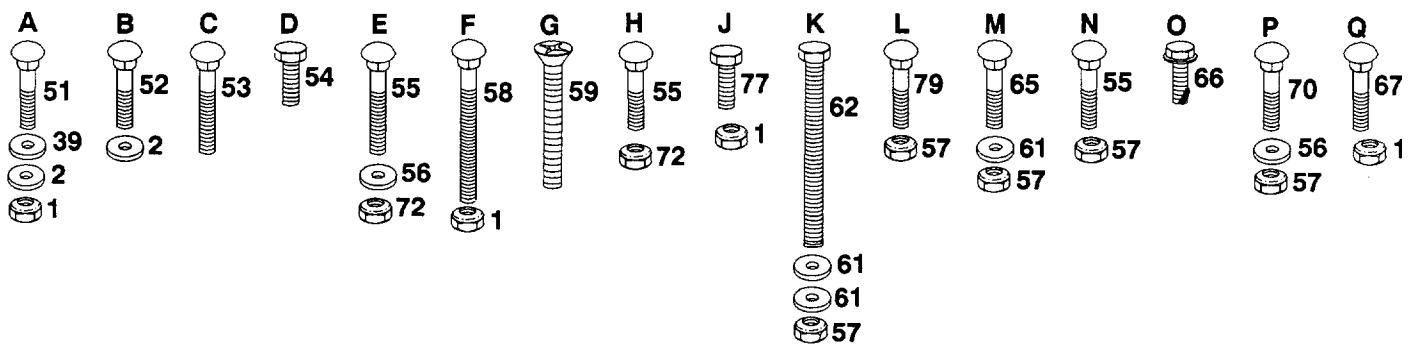
REPAIR PARTS

16 HP 44" RIDING YARD TRACTOR - MODEL NUMBER J16H44

MOWER

KEY PART NO. NO.	DESCRIPTION	KEY PART NO. NO.	DESCRIPTION
1 873 68 06-00	Locknut 3/8-16	55 872 14 05-06	Bolt, Carriage 5/16-18 x 3/4
2 819 13 16-14	Washer 13/32 x 1 x 14 Gauge	56 819 11 11-16	Washer 11/32 x 11/16 x 16 Gauge
3 532 12 13-16	Pulley, Idler	57 873 68 05-00	Locknut 5/16- 18
5 532 10 69-02	Spacer	58 874 76 06-48	Bolt, Hex 3/8-16 x 3
6 532 12 48-58	Pulley, Idler	59 874 11 06-32	Screw, Flat Head 3/8-16 x 2
7 532 10 65-13	Washer, Wear	61 819 11 12-16	Washer 11/32 x 3/4 x 16 Gauge
8 532 12 14-25	Arm, Idler	62 874 76 05-80	Bolt, Hex 5/16-18 x 5
9 532 10 97-76	Pin, Pivot	63 876 02 04-12	Pin, Cotter 1/8 x 3/4
10 532 10 65-23	Bar, Support, Idler	64 819 15 16-16	Washer 15/32 x 1 x 16 Gauge
11 532 10 65-22	Brace, Idler, Deck	65 872 14 05-06	Bolt, Carriage 5/16-18x518 UNCx3/4
12 532 12 12-36	Spacer	66 817 49 06-12	Screw, Hex Washer Thread Rolling 3/8-16 x 3/4
13 819 13 13-16	Washer 13/32 x 13/16 x 16 Gauge	67 872 14 06-06	Bolt, Carriage 3/8-16 x 3/4
14 532 12 16-58	Mandrel, Secondary	68 532 10 27-27	Spring, Extension
15 532 10 62-14	Guard V-Belt	69 873 93 06-00	Nut, Centerlock 3/8-16
16 532 10 60-85	Nut, Hex 3/8-16	70 872 11 05-06	Bolt, Carriage 5/16-18 x 3/4
17 873 22 06-00	Washer, Lock 3/8	72 532 12 49-49	Locknut 5/16- 18
18 810 04 06-00	Idler, Flat	73 532 10 97-29	Roller, Nose
19 532 10 29-32	Arm, Idler, Deck	74 819 15 16-10	Washer 15/32 x 1 x 10 Gauge
20 532 10 65-26	Spring, Extension	75 872 14 06-20	Bolt, Carriage 3/8-16 x 2-1 /2
21 532 12 48-85	Mandrel, Primary	76 819 13 12-10	Washer 13/32 x 3/4 x 10 Gauge
22 532 12 17-05	Pulley, Idler	77 874 76 06-16	Bolt, Hex, Fin 3/8-16 x 1
23 532 10 24-03	Bracket, Lift, L.H.	78 532 12 13-52	Keeper, Mandrel, L.H.
24 532 10 95-99	Link, Parallel	79 872 11 05-05	Bolt, Carriage 5/16-18 x 5/8
25 532 10 56-62	Retainer, Spring Pin, Front	-- 532 12 66-44	Mower, Deck, Complete
26 532 00 49-21	Hinge Pin, Rear Hinge	-- 532 10 85-92	Decal, Belt Instruction
27 532 10 57-44	Bracket, Lift, R.H. Guard,	-- 532 12 61-91	Decal, Warning (Bloody Finger) (Swed/Dan/Nor/Fi n)
28 532 10 98-35	Belt, R.H. Washer, Lock 3/8	-- 532 12 61-92	Decal~ Warning (Bloody Finger) (Fr/ Ger/Dutch)
29 532 10 96-00	Unplated Runner, R.H.	-- 532 12 63-45	Decal, Warning (Bloody Finger) (Span/Italian)
30 532 10 81-19	Housina, Mower	-- 532 12 61-95	Decal, Rotating Blades (Swed/Dan/ Nor/Fin)
31 810 03 06-00	Cap, Sleeve	-- 532 12 61-96	Decal, iRotating Blades (Eng/Ger/ Fr/Dutch)
32 532 12 49-50	Spring	-- 532 12 63-46	Decal, Rotating Blades (Spanish/ Italian)
33 532 12 14-23	Nut, Push	-- 532 12 61-93	Decal, Deflector Shield (Sw/Dan/ Fin/Nor)
34 532 10 53-04	Bracket, Deflector Guard,	-- 532 12 63-47	Decal, Deflector Shield (Eng/ German/Dutch/Fr)
35 532 10 67-34	Discharge Washer 13/32 x 7/8 x 10 Gauge	-- 532 10 51-85	Decal, Deflector Shield (Italian/ Spanish)
36 532 11 04-52	Washer 11/32 x 5/8 x 16 Gauge	-- 532 12 13-49	Decal, Instruction, Caution
37 532 10 97-43	16 Gauge Rod, Hinge		
38 532 10 97-85	Blade, Mower, Low Lift		
39 819 13 14-10	Bolt, Hex 3/8-24 x 1-1/2 Grade 5		
40 819 11 10-16	Washer 13/32 x 1 -1 /4 x 12 Gauge		
42 532 10 67-35	Runner, L.H.		
43 532 12 22-65	Bracket, Suspension, Rear, R.H.		
44 874 61 06-24	Bracket, Suspension, Rear, L.H.		
45 819 13 20-12	Bolt, Carriage 3/8-16 x 1 -3/4		
46 532 12 50-74	Bolt, Carriage 3/8-16 x 1		
47 532 12 38-07	Bolt, Carriage 3/8-16 x 1 -1/2		
48 532 12 38-08	Bolt, Hex 3/8-16 x 1 -1 /4		
51 872 14 06-14			
52 872 14 06-08			
53 872 14 06-12			
54 874 76 06-20			

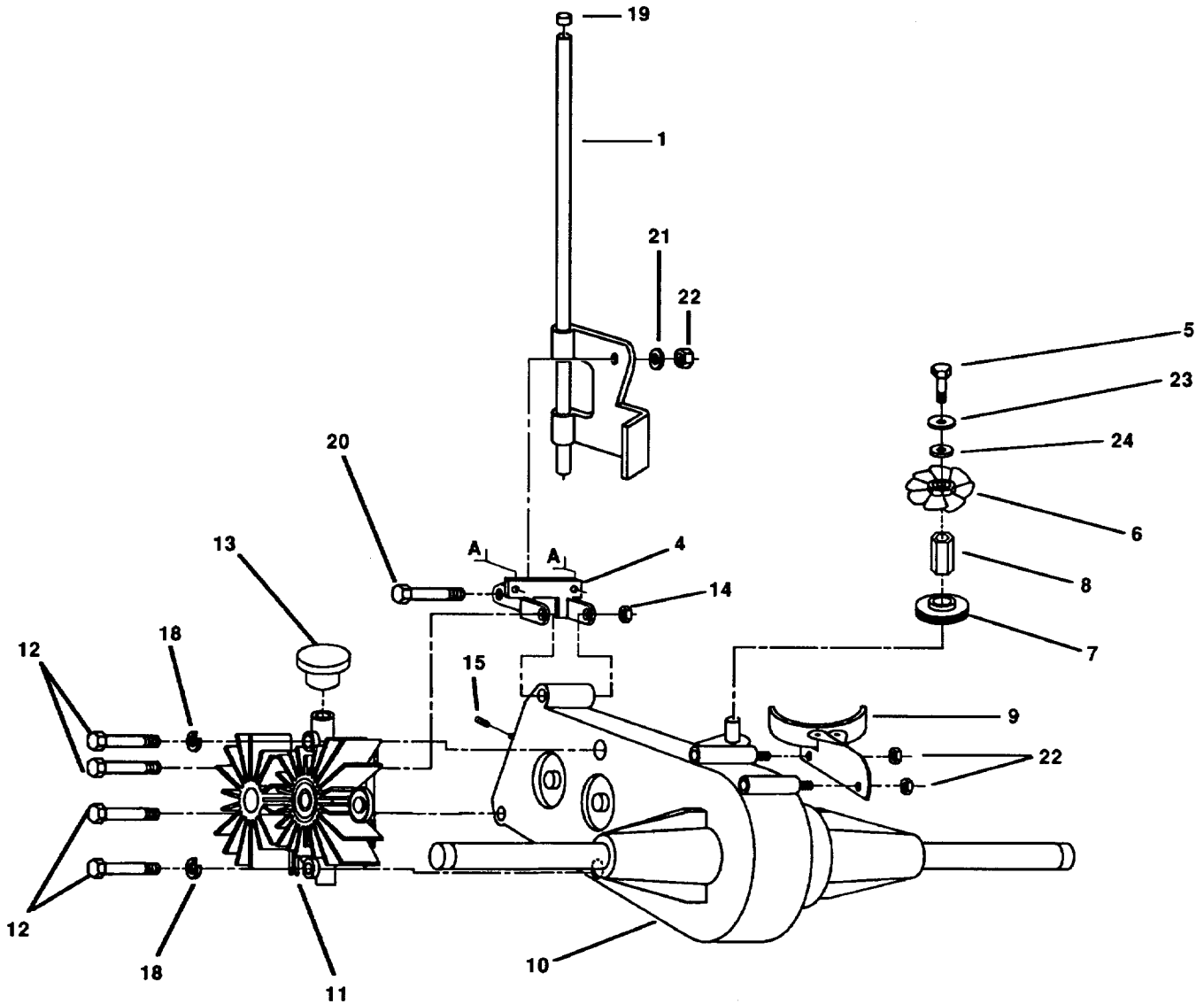
NOTE: All component dimensions given in U.S. inches
1 inch = 25.4 mm



REPAIR PARTS

16 HP 44" RIDING YARD TRACTOR - MODEL NUMBER J16H44

TRANSAXLE AND PUMP ASSEMBLY



KEY PART NO. NO.

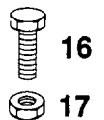
KEY PART NO. NO.	DESCRIPTION
1	532 12 36-34 Control, Asm., Free Wheel
4	532 12 11-88 Bracket, Mounting Differential
5	874 78 04-12 Bolt, Hex 1/4-20 UNC x 3/4
6	532 12 11-86 Fan, Hydro 8"
7	532 12 11-80 Pulley, Transaxle
8	532 12 12-11 Standoff, Fan, Hydro
9	532 12 11-82 Guard Assembly, Belt
10	532 12 14-31 Differential Assembly
11	532 12 14-30 Pump Assembly
12	874 76 05-72 Bolt, Hex, Fin 5/16-18 UNC x 4.5
13	532 12 13-23 Reservoir, Pump
14	873 68 05-00 Nut, Crownlock 5/16-18
15	532 12 12-50 Spring, Compression
16	874 76 06-12 Bolt 3/8-16 x 3/4
17	873 68 06-00 Nut, Crownlock 3/8-16 UNC

KEY PART NO. NO.

KEY PART NO. NO.	DESCRIPTION
18	810 04 05-00 Washer, Lock
19	532 07 16-73 Cap, Plunger
20	532 12 48-15 Bolt, Shoulder 1/4-20 UNC
21	532 12 05-29 Washer, Nylon
22	873 68 04-00 Nut, Crownlock 1/4-20 UNC
23	819 09 20-16 Washer 9/32 x 1-1/4 x 16 Gauge
24	810 04 04-00 Washer, Lock

NOTE: All component dimensions
given in U.S. inches.
1 = 25.4 mm

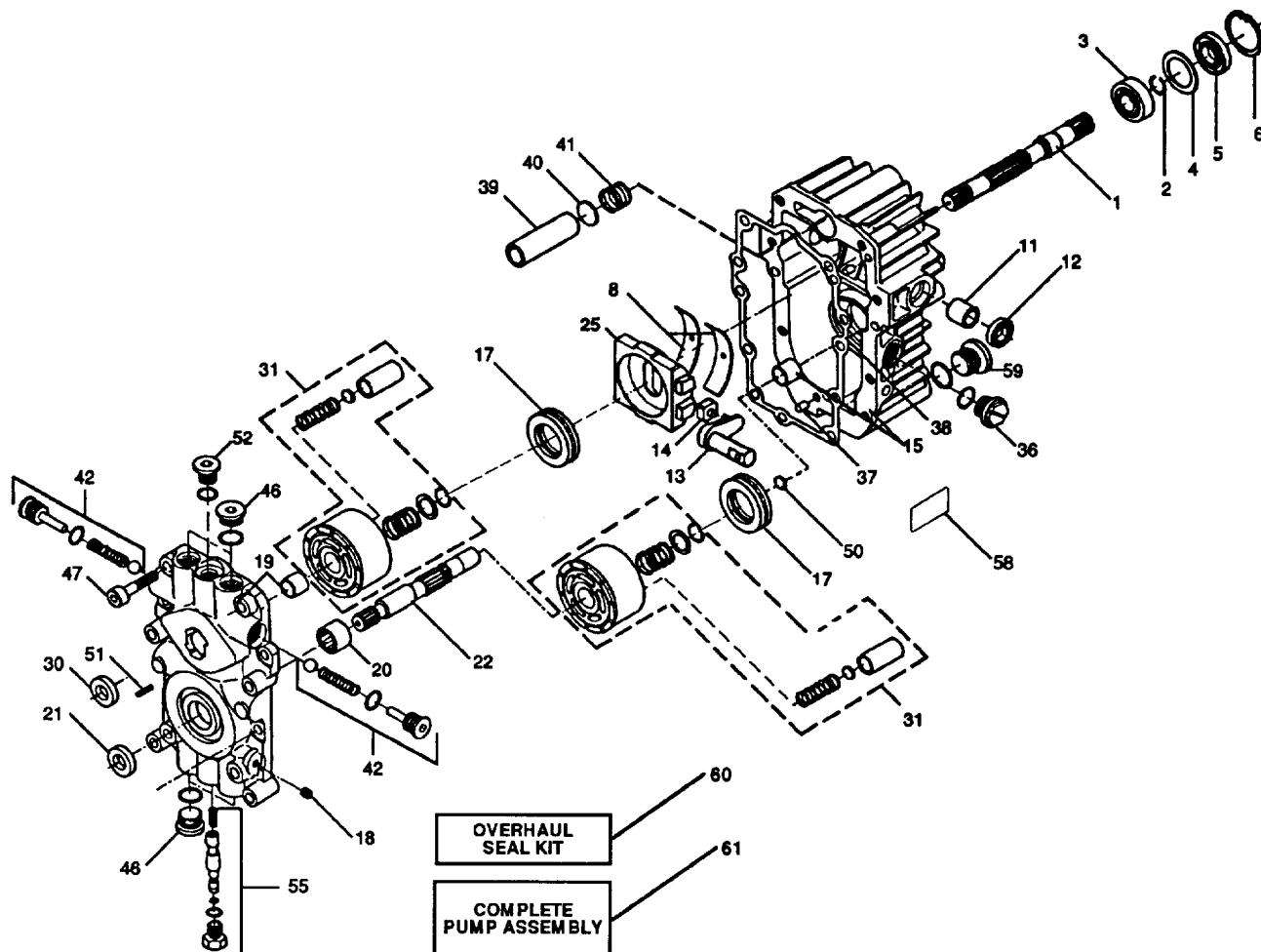
A



REPAIR PARTS

16 HP 44" RIDING YARD TRACTOR - MODEL NUMBER J16H44 SUNDSTRAND PUMP ASSEMBLY - MODEL NUMBER BDU-10S

PUMP ASSEMBLY



KEY PART NO. NO.	DESCRIPTION
1	532 12 27-56 Shaft, Pump
2	532 12 27-16 Ring, Retaining
3	532 12 27-45 Bearing, Ball
4	532 12 27-15 Spacer
5	532 12 27-00 Seal, Lip
6	532 12 26-99 Ring, Retaining
8	532 12 27-67 Bearing, Cradle
11	532 12 27-47 Bearing, Journal
12	532 12 27-17 Seal, Lip
13	532 12 27-48 Arm, Trunnion
14	532 12 27-49 Guide, Slot
15	532 12 71-46 Housing Kit, Transmissior
17	532 12 27-70 Bearing, Thrust Ball
18	532 12 27-71 Plug, Pipe
19	532 12 71-47 Center Section Kit
20	532 12 27-73 Bearing, Needle
21	532 12 27-22 Seal, Lip
22	532 12 27-50 Shaft, Motor
25	532 12 71-48 Swashplate, Variable
30	532 12 27-23 Seal, Lip
31	532 12 71-49 Block K't, Cylinder
36	532 12 71-51 Plug, Plastic

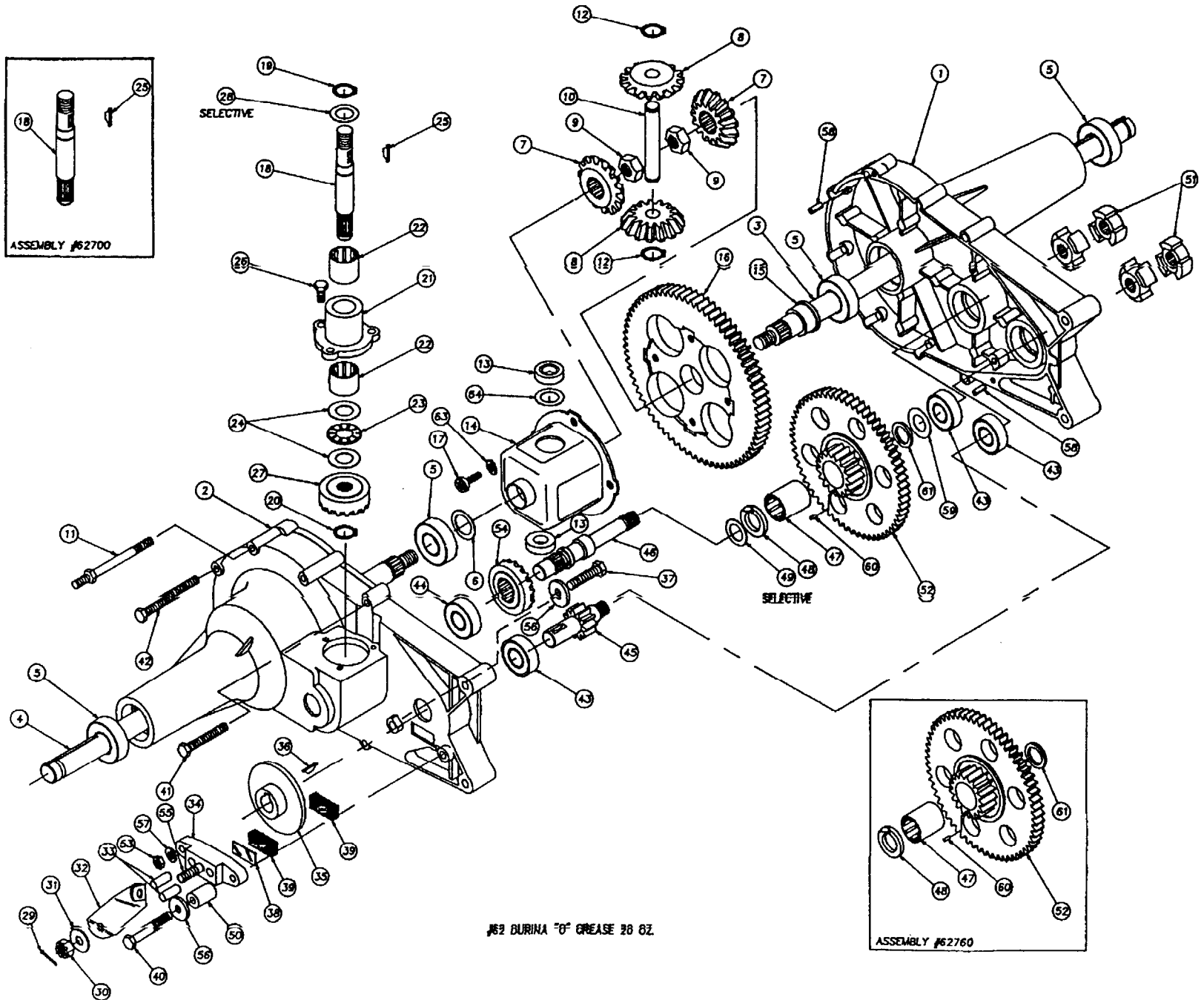
KEY PART NO. NO.	DESCRIPTION
37	532 12 27-86 Pin, St. Hdis.
38	532 12 27-18 Gasket, Center Section
39	532 12 27-31 Filter
40	532 12 27-30 Washer, Thrust
41	532 12 27-28 Spring, Helical Compression
42	532 12 71-52 Check Valve Kit
46	532 12 27-87 Plug, St. Thd.
47	532 12 27-52 Screw Socket Head Cap
50	532 12 27-88 Washer, Thrust
51	532 12 27-89 Pin, Spiral
52	532 12 27-54 Plug, St. Thd.
55	532 12 71-53 Bypass Valve Kit
58	532 12 27-27 Adhesive Label, Bar Coded
59	532 12 27-90 Plug, St. Thd.
60	532 12 71-54 Overhaul Seal Kit, BDU-10 Includes: items marked with * and O-Rings for Check Valves and Bypass Valve
61	532 12 14-30 Complete Pump Assembly

NOTE: All component dimensions given in U.S. inches
1 inch = 25.4 mm

REPAIR PARTS

16 HP 44" RIDING YARD TRACTOR -- MODEL NUMBER J16H44

AGRI-FAB TRANSAXLE -- MODEL NUMBER 486.121431X



REPAIR PARTS

16 HP 44" RIDING YARD TRACTOR - - MODEL NUMBER J16H44

AGRI-FAB TRANSAXLE - - MODEL NUMBER 486.121431X

KEY PART NO. NO.	DESCRIPTION	KEY PART NO. NO.	DESCRIPTION
1 122 614X	Housing, Half L.H.	36 123065X	Key, Hi-Pro 3/16 x 5/8"
2 122615X	Housing, Half R.H.	37 122666X	Screw, Hex 1/4-20 x 1.50
3 122616X	Axle L.H.	38 122667X	Plate, Puck
4 122620X	Axle R.H.	39 122668X	Puck, Brake
5 122621 X	Bearing, Ball	40 123066X	Screw, Hex w/Patch 1/4-20 x 2.00
6 122622X	Washer, Flat 3/4 x 1-1/8 x .030	41 122670X	Screw, Hex Self-Tap 1/4-20 x 2.00
7 122623X	Gear, Miter	42 122671X	Screw, Hex Self-Tap 1/4-20 x 3.00
8 122624X	Gear, Miter	43 126982X	Bearing, Ball
9 122625X	Nut, Hex Jam w/Patch 1/2-20	44 122673X	Bearing, Ball
10 122626X	Shaft, Cross	45 122674X	Shaft, Pinion W/11 Tooth Gear
11 122688X	Screw, Stud	46 122675X	Shaft, Drive
12 122629X	Snap, Rina	47 123059X	Bearing, Needle
13 122631X	Bearing, Thrust	48 123060X	Bronze Thrust Brg. 5/8 x 1-1/4 x 7/64
14 122633X	Housing Assembly, Differential	49 122654X	Washer, Flat .62 x 1.0 x .040
15 122634X	Bearing, Flange	-- 123061X	Washer, Flat .62 x 1.0 x .050
16 122640X	Gear, Differential 72 Tooth	50 122689X	Spacer
17 122641X	Bolt, Torx Head 1/4-28 x 5/8"	51 121839X	Coupling
18 122642X	Shaft, Input	52 126975X	Gear, 60 and 17 Tooth
19 122643X	Snap, Ring	53 122682X	Nut, Hex 1/4-20
20 122644X	Retaining Ring 7/16"	54 122683X	Gear, Drive Pinion 17 Tooth
21 122645X	Housing, Input Bearing	55 122684X	Bolt, Square Head
22 122646X	Bearing, Needle	56 122685X	Washer 15/16 x .265 x .125
23 122647X	Bearing, Thrust	57 122686X	Washer, Spring Lock 1/4"
24 122648X	Washer, Flat 5/8 x 1-1/8 x .030	58 122687X	Pin, Roll 3/16' x 1/2"
25 122649X	Key, Hi-Pro 3/32 x 5/8	59 122652X	Washer, Flat .62 x 1.0 x .030
26 122650X	Screw, Hex W/Patch 1/4-20 x 3/4	60 123062X	Pin, Dowel 3/32 x 1/4
27 122651X	Gear, Input Pinion 17 Tooth	61 123063X	Seal, Grease
28 123061X	Washer, Flat .62 x 1 x .05	62 126976X	Shell, Durina-O Grease (200Z.)
--- 122678X	Washer, Flat .62 x 1.125 x .060	63 126977X	Washer, Head Spring Lock 1/4"
--- 122654X	Washer, Flat .62 x 1 x .040	64 126978X	Washer, Fiat .50 x 1.0 x .020
29 122656X	Pin, Cotter	--- 126979X	Washer, Flat .50 x 1.0 x .030
30 122653X	Nut, Castle 5/16-24	65 126980X	Assembly, Gear, Reduction
31 122659X	Washer, Flat .343 x .88 x .062	66 126981X	Assembly, Shaft, Input
32 122660X	Arm, Brake Actuator	--- 121431X	Transaxle Assemb,v ComDlete
33 122662X	Pin, Brake Actuating		
34 122663X	Brake, Yoke		
35 122664X	Disc, Brake		

NOTE: All component dimensions given in U.S. inches
1 inch = 25.4 mm