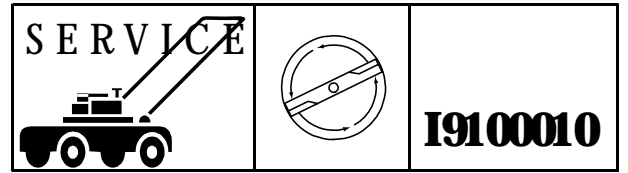


**Jonsered**



IPL, LR12 36", 1991-04-01

# LR12 36"

**Spare parts**

**Ersatzteile**

**Pièces détachées**

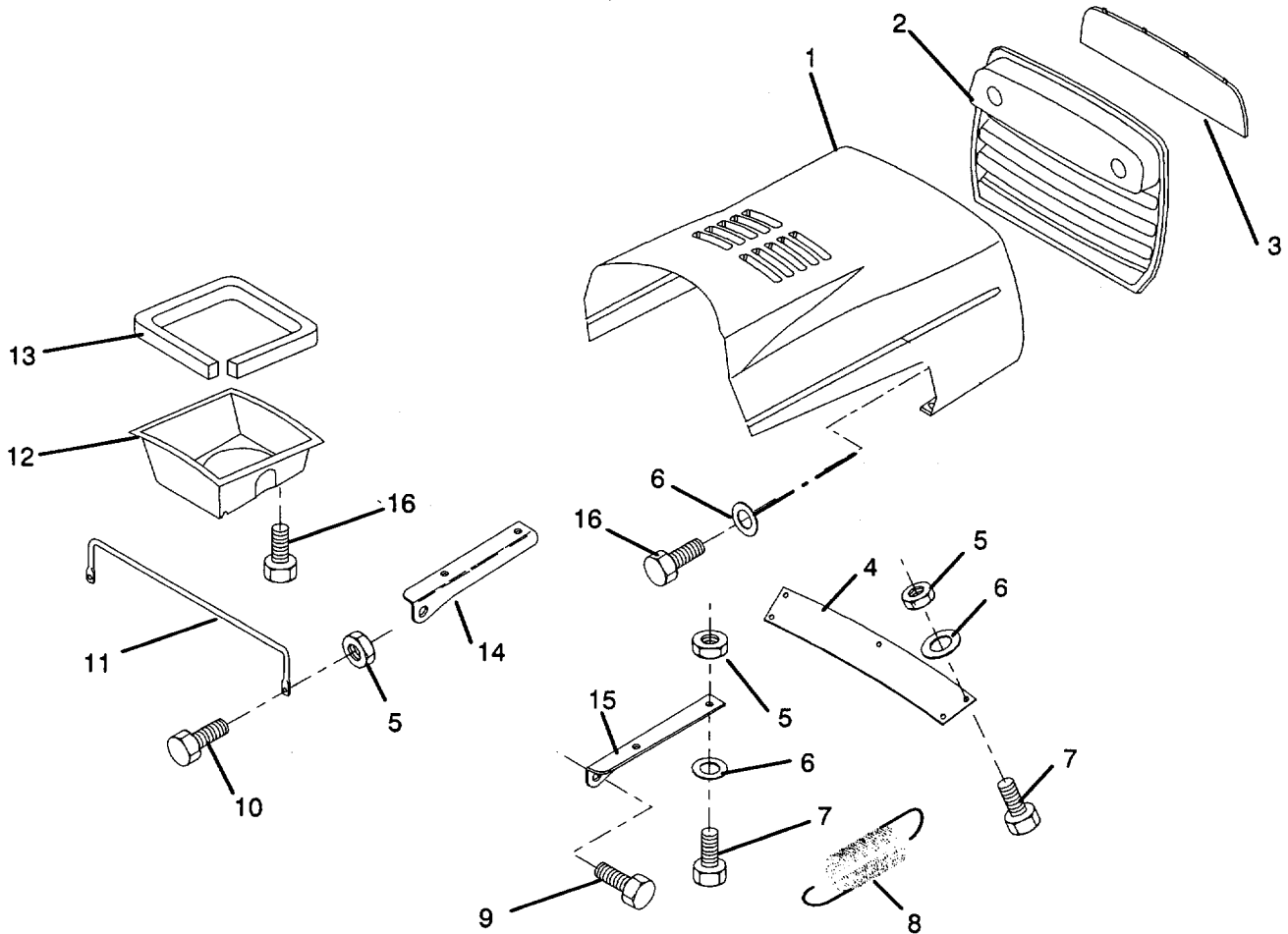
**Reserve onderdelen**

**Repuestos**

**Reservdelar**

# ILLUSTRATED PARTS BREAKDOWN

## HOOD

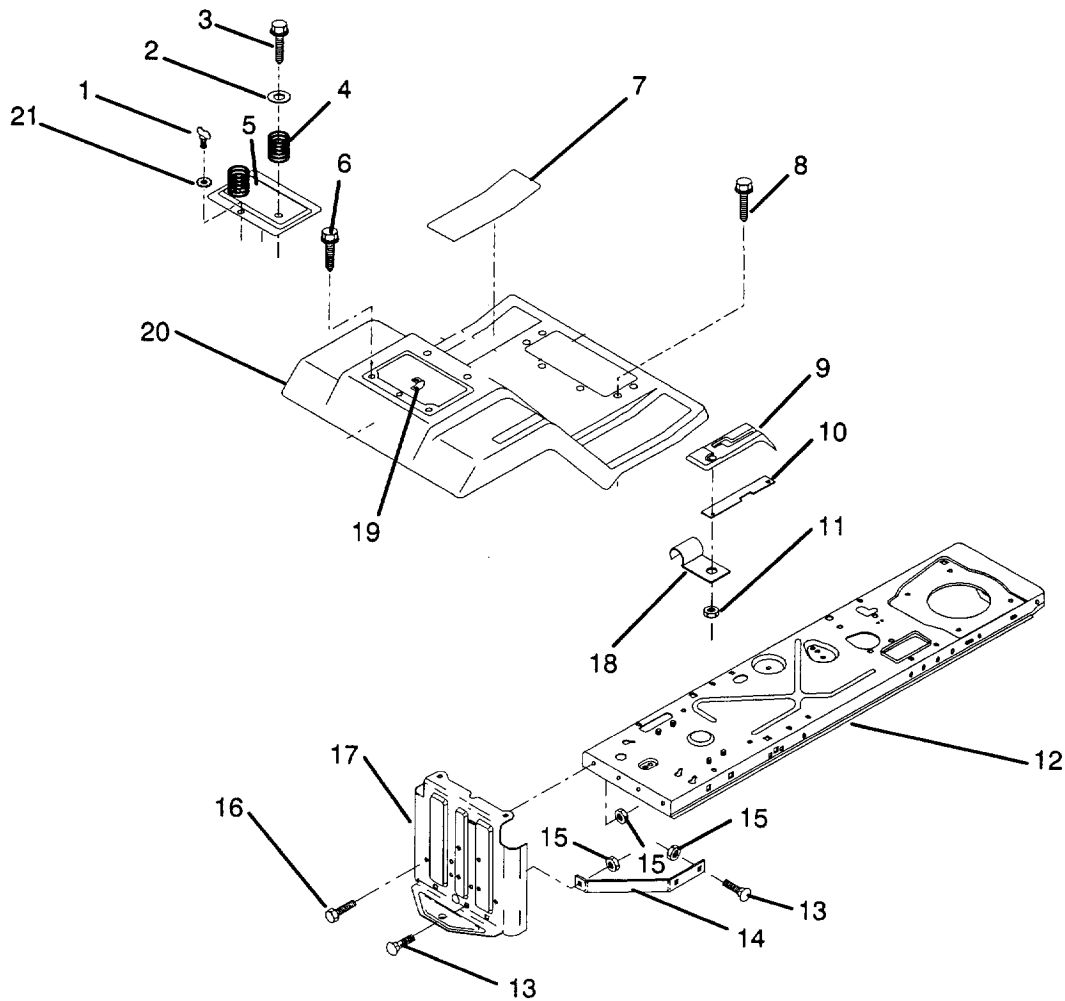


KEY PART NO. NO.	DESCRIPTION	KEY PART NO. NO.	DESCRIPTION
1	532 12 49-30 Hood	11	532 12 36-93 Brace, Hood
2	532 12 70-29 Grill	12	532 12 38-40 Duct, Air
3	532 12 20-35 Lens	13	532 12 05-37 Strip, Foam
4	532 12 49-33 Strap, Grill	14	532 12 25-48 Bracket, Hood L.H.
5	873 51 04-00 Nut, Hex Keps 1/4-20 UNC	15	532 12 25-49 Bracket, Hood R.H.
6	819 09 10-16 Washer, 9/32 x 5/8 x 16 Ga.	16	817 41 13-10 Screw, Fin. Hex #13-16 Hi-Lo x 5/8
7	874 78 04-10 Bolt, Hex Fin. 1/4x20UNCx5/8Gr.5	-	532 12 74-72 Decal, L.H. Hood Stripe
8	532 12 46-57 Spring, Extention	-	532 12 74-73 Decal, R.H. Hood Stripe
9	532 12 66-75 Bolt, Thrd. Forming Shoulder	-	532 12 20-38 Decal, Side Panel 12 HP
10	874 78 04-12 Bolt, Hex Fin.14-20 x 3/4 Gr.5		

HARDWARE SHOWN LARGER FOR EASIER IDENTIFICATION

# ILLUSTRATED PARTS BREAKDOWN

## FENDER / CHASSIS

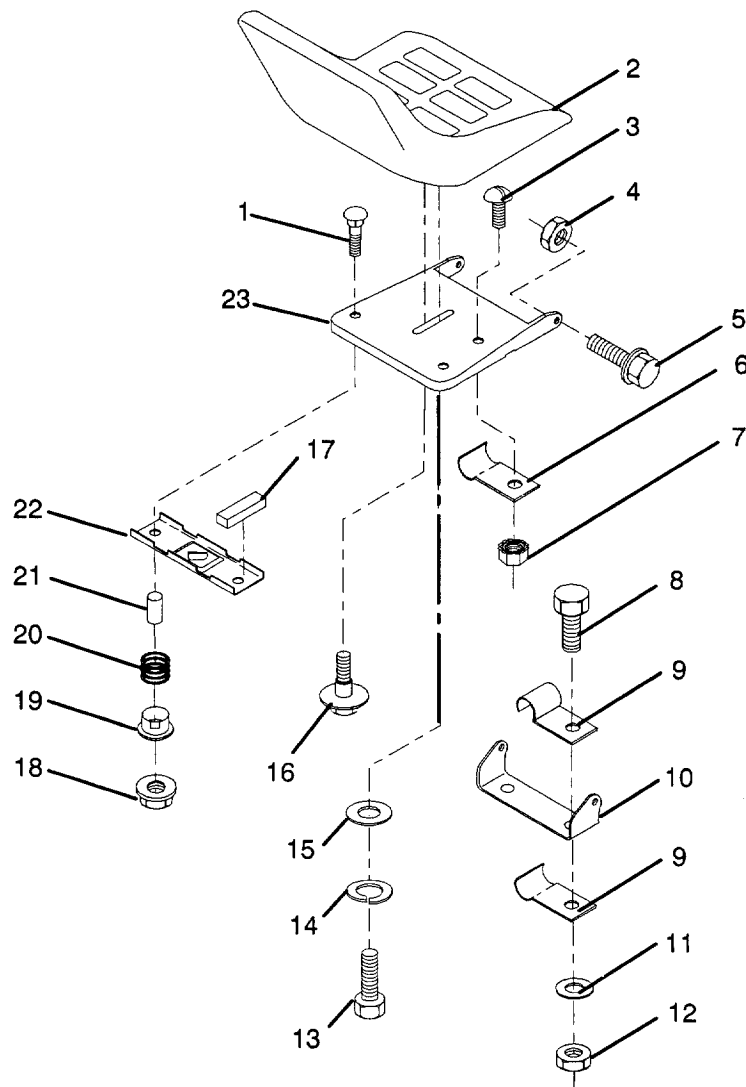


KEY NO.	PART NO.	DESCRIPTION	KEY NO.	PART NO.	DESCRIPTION
1	532 12 36-50	Stud 1/4Turn	15	873 68 05-00	Nut, Crownlock 5/16-18
2	819 13 20-12	Washer13/32x1-1/4x12Ga.	16	874 76 05-12	Bolt, Hex Hd. 5/16-18 UNC x 3/4
3	817 49 06-12	Screw, Hex Wsh. Thrdrol. 3/8-16 x 3/4	17	532 12 78-80	Drawbar
4	532 12 41-81	Spring, Compression, Seat	18	532 12 64-70	Clip, Insulated
5	532 12 49-36	Door, Fender	19	532 10 58-39	Receptacle, 1/4 Turn
6	817 49 05-08	crew, Hex Wsh. Thrdrol. 5/16-18x 1/2	20	532 12 49-35	Fender/Foostrest
7	532 12 41-44	Pad, Footrest	21	532 10 58-38	Retainer, 1/4 Turn
8	817 49 05-12	Screw, HexWsh.Thrdrol. 5/16-18 x 3/4	-	532 12 34-08	Decal, Belt Installation (under footrest)
9	532 12 69-95	Console, Shift Control	-	532 12 61-55	Decal, Operating Instructions (Swedish/Danish/Dutch/Finnish)
10	532 12 46-02	Bar, Shift Lock	-	532 12 74-71	Decal, Fender (rear fender)
11	532 12 43-46	Nut Self Thrd., Wsh. Hd. 3/8	-	532 12 61-87	Decal, Certification
12	532 12 36-45	Assembly, Frame	-	532 12 61-88	Decal, BatteryCaution (under fender door)
13	872 14 05-06	Bolt, Carriage 5/16-18 UNCx3/4			
14	532 12 33-79	Brace, Drawbar			

HARDWARE SHOWN LARGER FOR EASIER IDENTIFICATION

# ILLUSTRATED PARTS BREAKDOWN

## SEAT

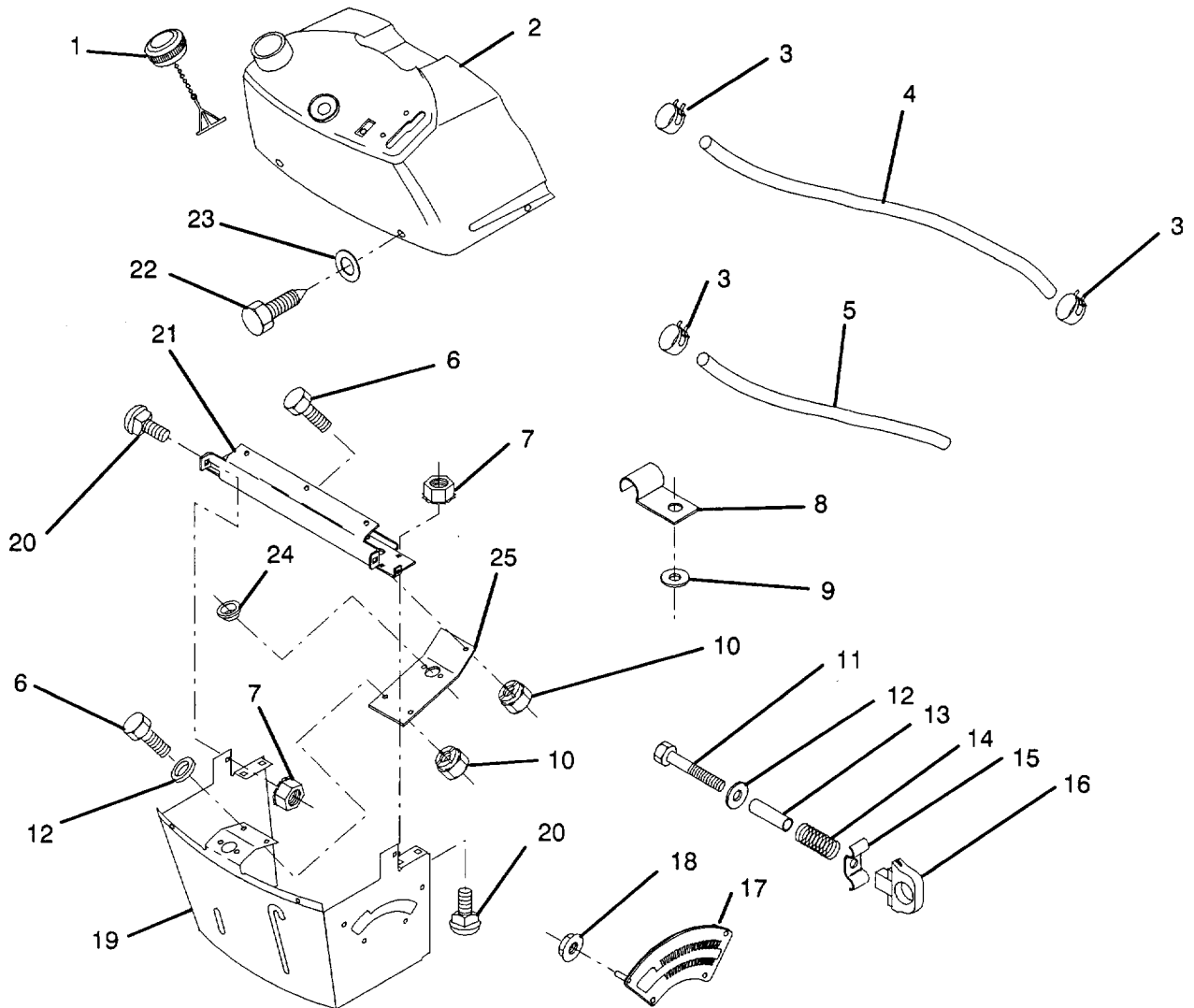


KEY NO.	PART NO.	DESCRIPTION	KEY NO.	PART NO.	DESCRIPTION
1	872 17 04-10	Bolt, Carriage 1 /4-20 x 1 1/4	13	874 78 08-14	Bolt, Fin Hex 1/2-13 UNC x 7/8 Gr. 5
2	532 12 74-23	Seat	14	810 04 08-00	Washer, Lock Hvy Helical Spring
3	874 64 10-08	Screw, Slotted Pan Head #10-32 x 1/2	15	819 17 19-12	Washer, 17/32 x 1 3/16 x 12 Ga.
4	873 68 05-00	Nut, Crownlock 5/16-18	16	532 12 70-18	Bolt, Shoulder
5	532 10 55-29	Bolt, Shoulder 5/16-18 UNC	17	532 12 12-51	Strip, Foam
6	532 00 41-71	Clip, Insulated	18	532 12 39-76	Nut, Hex Large Flange Lock
7	873 95 10-00	Nut, Keps #10-32UNF	19	532 12 12-48	Bushing, Snap
8	874 76 06-12	Bolt, Fin. Hex 3/8-16 UNC x 3/4	20	532 12 12-50	Spring, Compression
9	532 12 64-71	Clip, Insulated	21	532 12 12-49	Spacer, Split 28 Id. x .88 Lg.
10	532 12 66-56	Bracket, Pivot Seat	22	532 12 12-46	Bracket, Switch, Mounting
11	819 13 12-10	Washer 13/32 x 3/4 x 10 Ga.	23	532 12 42-94	Pan, Seat
12	873 68 06-00	Nut, Crownlock 3/8-16 UNC			

HARDWARE SHOWN LARGER FOR EASIER IDENTIFICATION

# ILLUSTRATED PARTS BREAKDOWN

## DASH

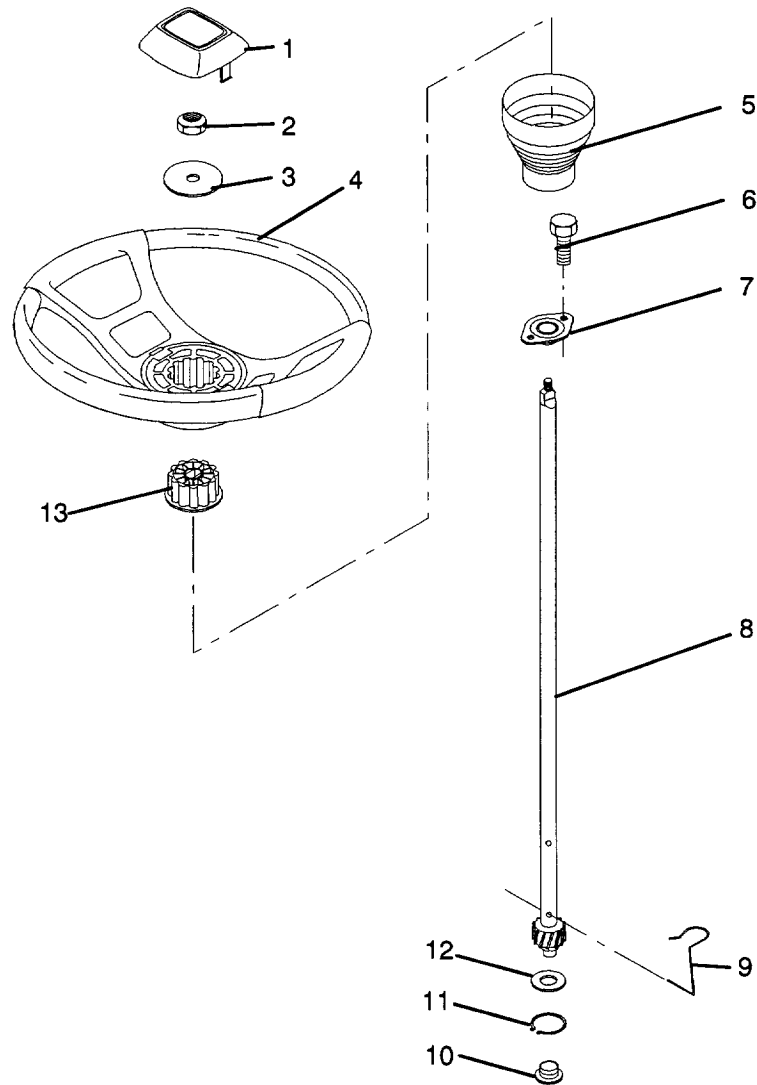


KEY NO.	PART NO.	DESCRIPTION	KEY NO.	PART NO.	DESCRIPTION
1	532 12 20-15	Cap, Fuel	14	532 12 48-74	Spring
2	532 12 39-86	Assembly, Dash & Fuel Tank	15	532 12 34-93	Clip, Height Adjustment
3	532 12 34-87	Clamp, Hose	16	532 12 61-15	Knob, Height Stop
4	532 00 85-48	Line, Fuel	17	532 12 20-23	Adjustment, Quadrant Height
5	532 00 85-44	Line, Fuel	18	532 12 43-46	Nut, Self Thread 3/16-18
6	874 78 04-12	Bolt	19	532 12 17-89	Support, Dash
7	873 51 04-00	Nut, Hex Keps 1/4-20	20	872 11 04-04	Bolt, Carriage 1/4-20 x 1/2 Gr. 5
8	532 12 49-96	Clip, Fuel fine	21	532 12 20-16	Brace, Cross
9	819 09 12-16	Washer 9/32 x 3/4 x 16 Ga.	22	532 13 00-52	Screw, Self Tap 1/4-20 x 1/2
10	873 69 04-00	Nut	23	819 09 08-16	Washer 9/32 x 1/2 x 16 Ga.
11	874 76 04-32	Bolt, Fin. Hex 1/4-20 x 2	24	532 11 04-36	Grommet, Split
12	819 11 11-16	Washer 11/32x 11/16x 16 Ga.	25	532 13 00-51	Plate, Support
13	532 12 34-94	Spacer, Split			

HARDWARE SHOWN LARGER FOR EASIER IDENTIFICATION

# ILLUSTRATED PARTS BREAKDOWN

## STEERING WHEEL

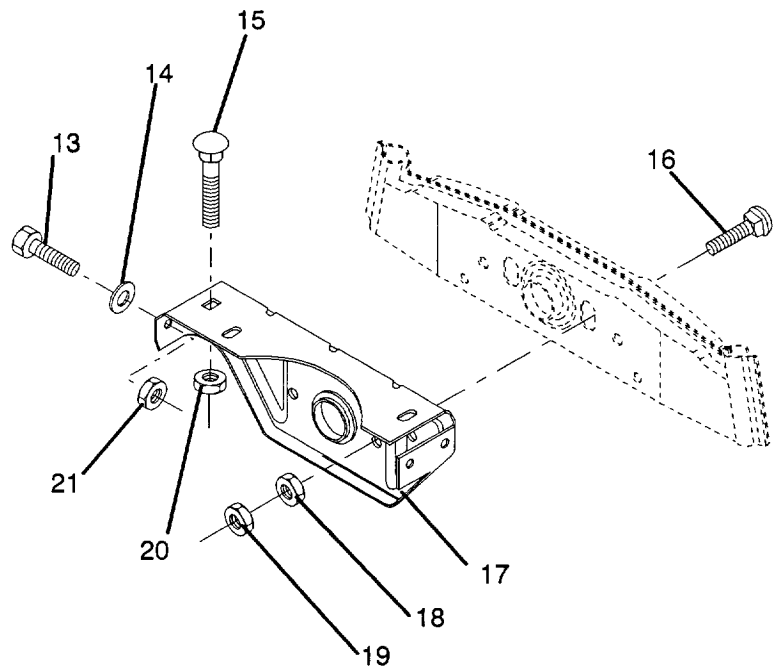
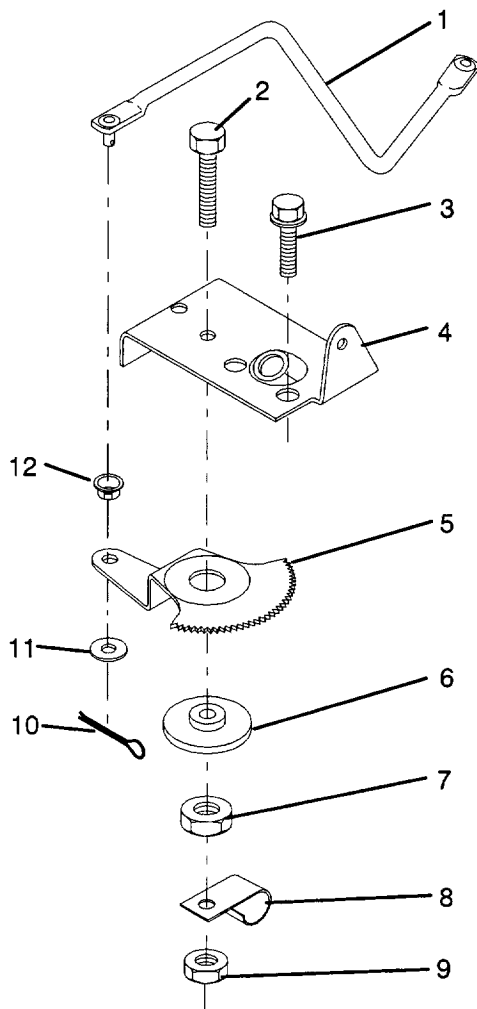


KEY PART NO.	KEY PART NO.	DESCRIPTION	KEY PART NO.	DESCRIPTION	
1	532 10 07-10	Insert, Wheel, Steering	8	532 12 36-51	Shaft, Steering
2	532 12 47-01	Locknut 3/8-24 UNF	9	532 12 42-10	Clip Steering
3	819 13 38-08	Washer 13/32 x 2-3/8 x 8 Ga.	10	532 12 34-38	Bushing, Lower, Steering
4	532 10 07-13	Wheel, Steering	11	812 00 00-45	Ring, Retaining
5	532 12 18-97	Sleeve, Steering	12	819 21 16-16	Washer 21/32 x 1 x 16 Ga.
6	817 43 10-08	Screw, HexSelfTap #10-16x 1/2TY-B	13	532 10 48-20	Adaptor, Wheel, Steering
7	532 10 28-03	Bushing, Steering	—	532 12 74-96	Decal Steering Wheel

HARDWARE SHOWN LARGER FOR EASIER IDENTIFICATION

# ILLUSTRATED PARTS BREAKDOWN

## SECTOR GEAR / AXLE SUPPORT



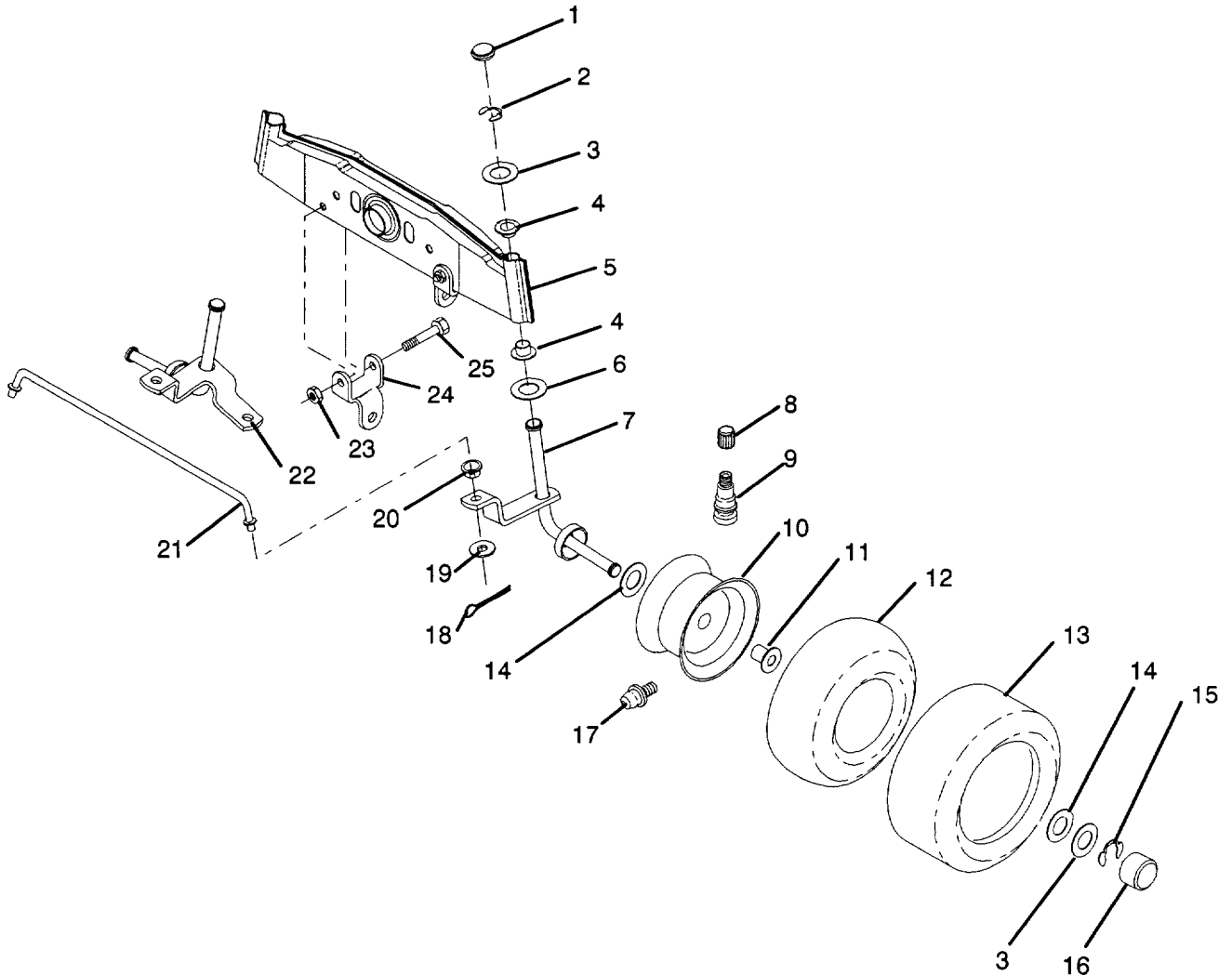
KEY NO.	PART NO.	DESCRIPTION
1	532 12 40-93	Link, Drag
2	874 78 08-28	Bolt, Fin. Hex 1/2-13 x 1 3/4
3	817 49 05-08	Screw Hex Th rd rol 5/16-18 x 1/2
4	532 12 19-25	Plate, Steering Support
5	532 12 19-26	Gear, Sector
6	532 12 19-27	Bushing
7	873 03 08-00	Nut, Heavy Hex Top Lock 1/2-13 UNC
8	532 12 64-72	Clip, Insulated
9	873 68 08-00	Nut, Crownlock 1/2-13
10	876 02 04-12	Pin, Cotter 1/8 x 3/4

KEY NO.	PART NO.	DESCRIPTION
11	819 13 13-16	Washer, 13/32 x 13/16 x 16 Ga.
12	532 12 68-47	Bushing
13	874 76 05-12	Bolt, Hex Hd. 5/16-18 UNC x 3/4
14	819 11 14-16	Washer 11/32x 7/8x 16 Ga.
15	872 11 06-06	Bolt, Carriage 3/8-16 UNC x 3/4
16	872 14 06-22	Bolt, Carriage
17	532 12 19-12	Support, Front Axle
18	873 22 06-00	Nut, Fin. Hex 3/8-16 UNC
19	873 93 06-00	Nut, Centerlock 3/8-16 UNC
20	873 68 06-00	Nut, Crownlock 3/8-16 UNC
21	873 68 05-00	Nut, Crownlock 5/16-18

HARDWARE SHOWN LARGER FOR EASIER IDENTIFICATION

# ILLUSTRATED PARTS BREAKDOWN

## FRONT AXLE



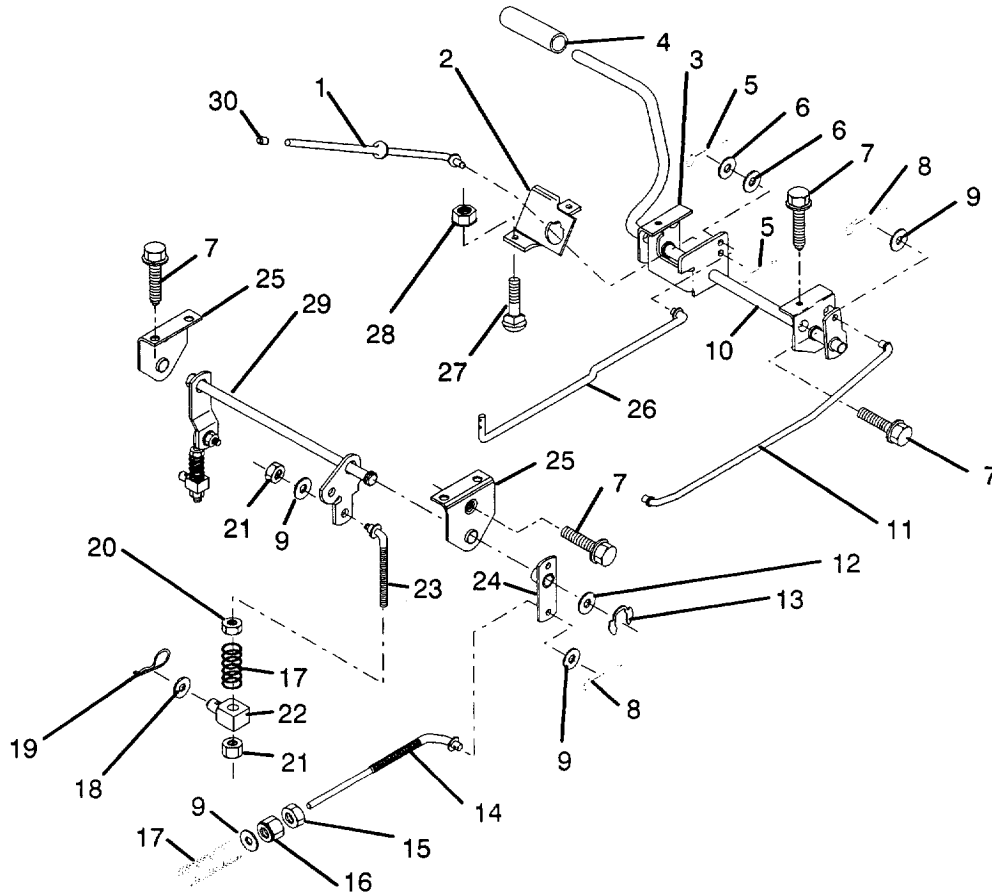
KEY NO.	PART NO.	DESCRIPTION	KEY NO.	PART NO.	DESCRIPTION
1	532 12 12-32	Cap, Spindle	14	532 12 17-49	Washer 25/32 x 1 -1/4 x 16 Ga.
2	812 00 00-29	Ring, Clip	15	812 00 00-29	Ring, Clip
3	532 12 17-48	Washer 25/32 x 1 -5/8 x 1 6 Ga.	16	532 10 47-57	Cap, Axle
4	532 12 19-22	Nyliner	17	532 00 02-78	Fitting, Grease
5	532 12 19-14	Axle, Front	18	876 02 04-12	Pin, Cotter 1/8 x 3/4
6	532 12 49-31	Bearing, Thrust	19	819 13 13-16	Washer 13/32 x 13/16 x 16 Ga.
7	532 12 19-19	Spindle R.H. Asm.	20	532 12 68-47	Bushing
8	532 05 91-92	Cap, Valve	21	532 12 19-24	Rod, Tie
9	532 06 51-39	Stem, Valve	22	532 12 19-16	Spindle, L.H. Asm.
10	532 12 48-09	Rim	23	873 68 05-00	Nut, Crownlock 5/16-18
11	532 00 90-40	Bearing, Flange	24	532 12 19-15	Bracket, Front Stabilizer Link
12	532 05 99-04	Tube	25	874 76 05-40	Bolt, Hex, Fin. 5/16 x 18 U NC x 2 -1/2
13	532 12 41-42	Tire, Front			

HARDWARE SHOWN LARGER FOR EASIER IDENTIFICATION



# ILLUSTRATED PARTS BREAKDOWN

## BRAKE / REAR MOWER LIFT ASSEMBLY

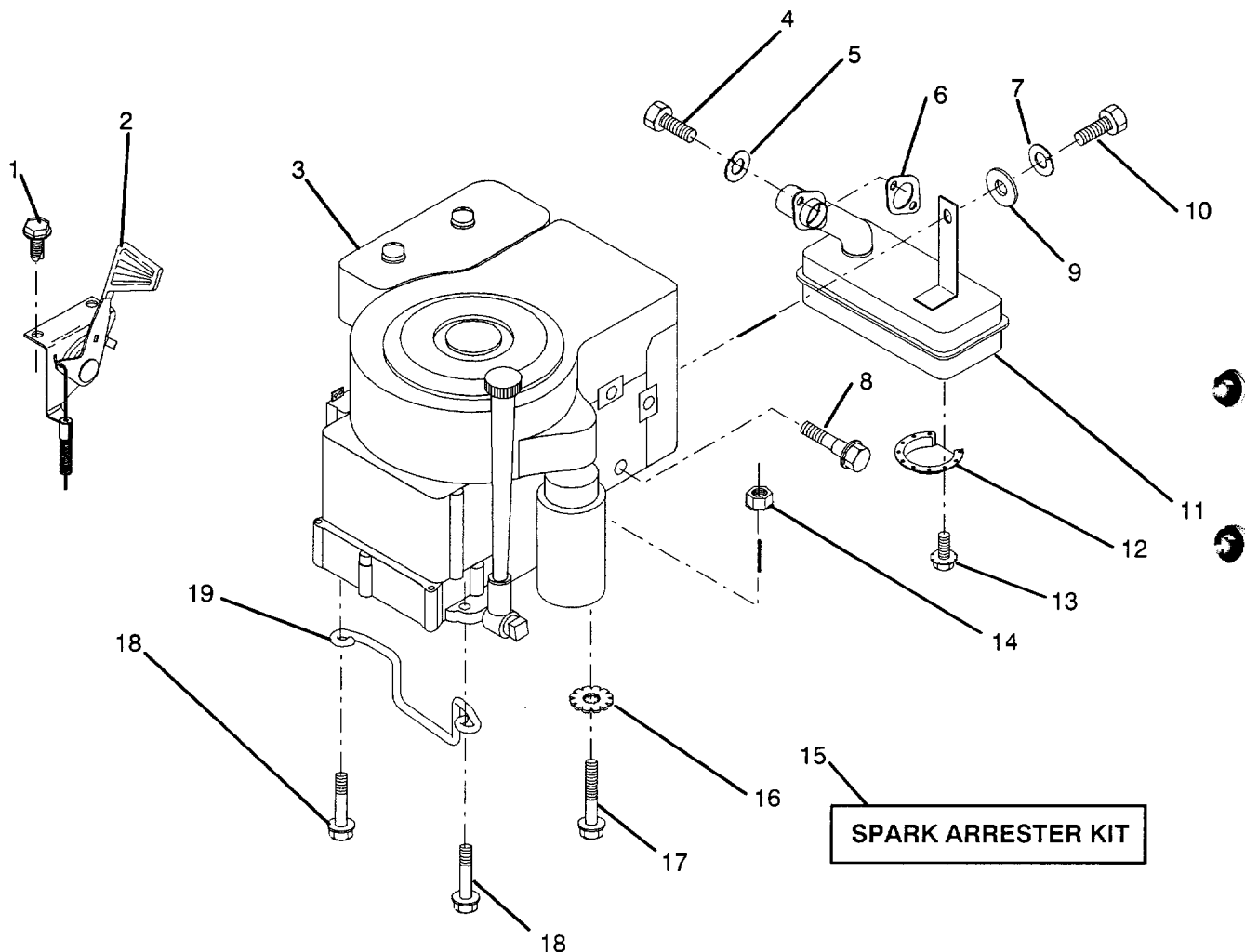


KEY NO.	PART NO.	DESCRIPTION	KEY NO.	PART NO.	DESCRIPTION
1	532 12 34-36	Rod, Parking Brake	16	873 80 06-00	Locknut, Hex with Wsh Insert 3/8-16 UNC
2	532 12 34-37	Bracket, Parking Brake	17	532 10 68-88	Spring, Brake Rod
3	532 12 25-04	Bracket, L.H. Clutch Pedal	18	819 13 20-12	Washer 13/32 x 1 1/4 x 12 Ga.
4	532 12 48-72	Cover, Pedal	19	532 00 49-21	Spring, Retainer
5	876 02 03-12	Pin, Cotter	20	873 93 06-00	Nut, Centerlock 3/8-16 UNC
6	819 13 10-16	Washer, 13/32 x 5/8 x 16 Ga.	21	873 68 06-00	Nut, Crownlock 3/8-16 UNC
7	817 49 05-08	ScrewHexThdrol5/16-18x1/2	22	532 10 62-04	Trunnion, Lift
8	876 02 04-12	Pin, Cotter	23	532 12 36-72	Link, Threaded
9	819 13 13-16	Washer 13/32 x 13/16 x 16 Ga.	24	532 12 36-41	Assembly, Brake Pivot Arm
10	532 12 95-67	Assembly, Clutch/Brake Pedal	25	532 12 19-78	Bracket, Lift Shaft
11	532 12 35-43	Rod, Front Brake	26	532 12 33-94	Rod Clutch
12	819 25 18-16	Washer 25/32 x 1 1/8 x 16 Ga.	27	872 11 05-06	Bolt Carriage 5/16-18 UNC x 3/4
13	812 00 00-34	Ring, Clip	28	873 51 05-00	Nut, Keps 5/16-18 UNC
14	532 12 67-59	Rod, Rear Brake	29	532 12 35-47	Assembly, Rear Mower Lift
15	873 35 06-00	Nut, HexJam3/8-16UNC	30	532 07 16-73	Cap, Plunger

HARDWARE SHOWN LARGER FOR EASIER IDENTIFICATION

# ILLUSTRATED PARTS BREAKDOWN

## ENGINE / THROTTLE

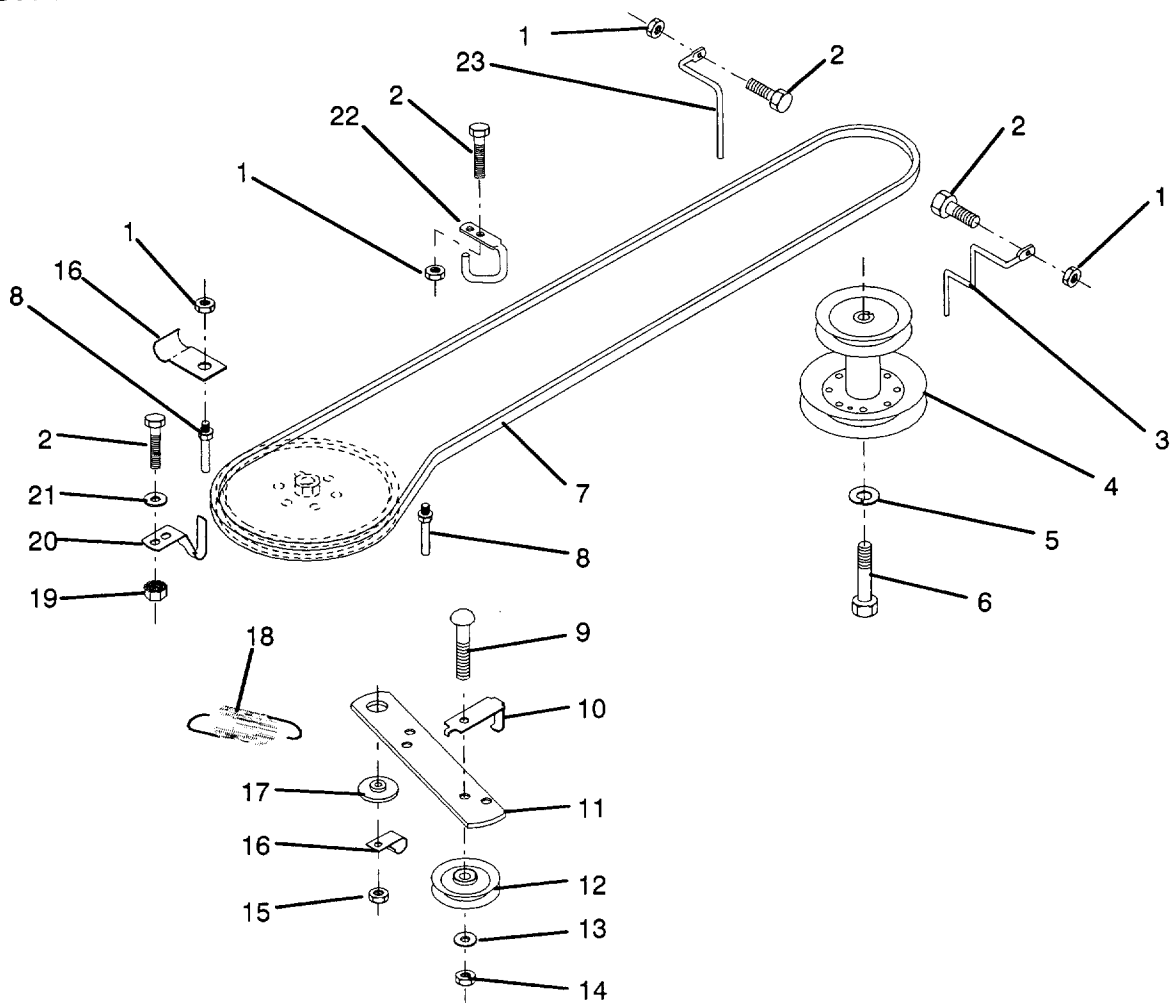


KEY PART NO.	PART NO.	DESCRIPTION	KEY PART NO.	PART NO.	DESCRIPTION
1	817 72 04-08	Screw, HexThd. Cut 1/4-20x 1/2	11	532 12 36-76	Muffler
2	532 12 59-85	Control, Throttle	12	532 10 13-26	Deflector, Muffler
3	532 12 41-36	Engine, Briggs and Stratton Model No. 281707 Type No. 0412-01	13	817 03 08-08	Screw, Spiderlock Hex Hd. 8 x 1/2 ABTPS
4	871 07 05-12	Bolt, Hex, Cap 5/16-18 x 3/4	14	873 51 06-00	Nut, Keps 3/8-16
5	810 04 05-00	Washer, Lock Heavy Helical Spring 5/16	15	532 12 18-51	Arrester, Spark (optional equipment)
6	532 12 55-93	Gasket, Exhaust	16	811 05 06-00	Lock Washer, Ext. Tooth 3/8
7	810 04 04-00	Washer, Lock Heavy Helical Spring 1/4	17	817 49 06-24	Screw, Hex Wsh Hd Thdrol 3/8-16 x 1-1/2
8	532 12 10-94	Bolt, Shoulder 5/16	18	817 49 06-32	Screw, Hex Wsh Hd Thdrol 3/8-16 x 2
9	819 10 12-16	Washer, 5/16x 3/4x16Ga.	19	532 12 66-36	Keeper, Ground Drive Belt
10	874 76 04-12	Bolt, Hex Fin. 1/4-20 x 3/4	-	532 12 06-01	Decal, Engine

HARDWARE SHOWN LARGER FOR EASIER IDENTIFICATION

# ILLUSTRATED PARTS BREAKDOWN

## GROUND DRIVE

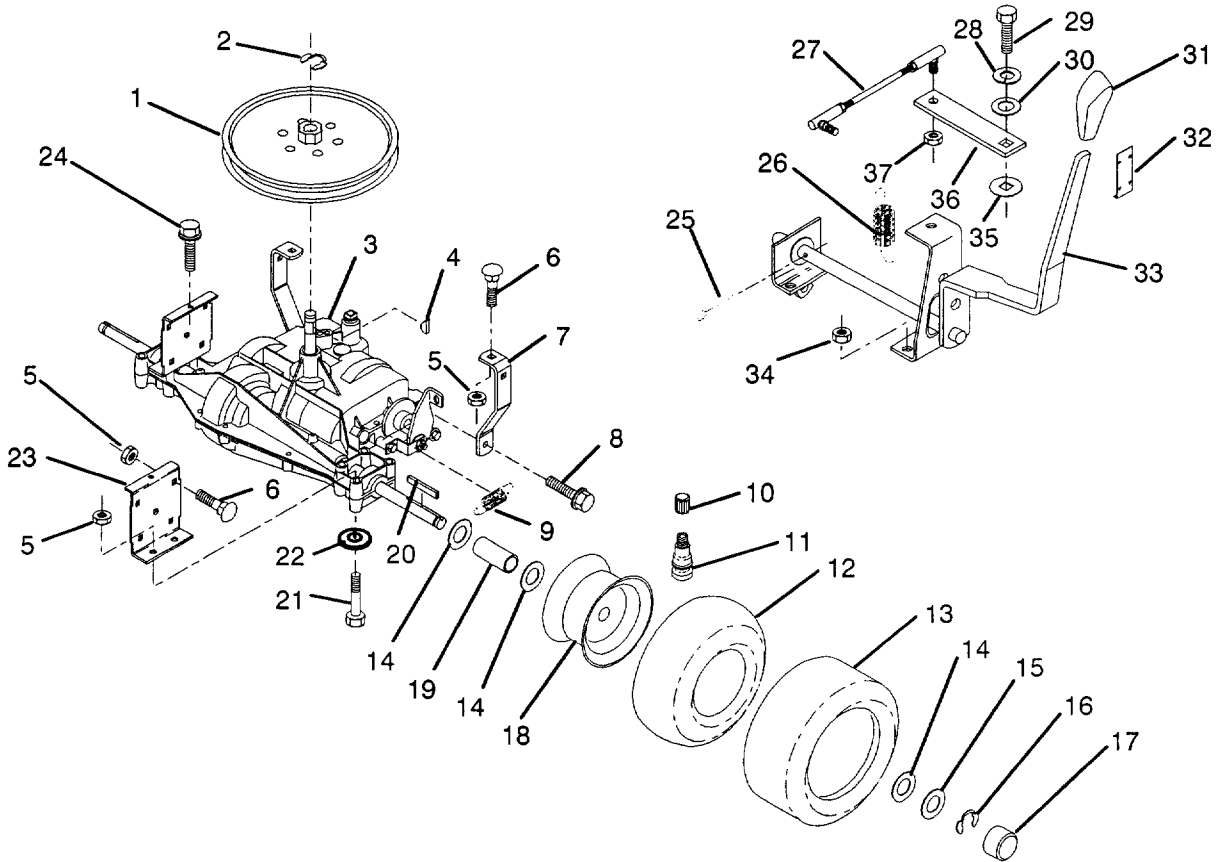


KEY PART NO.	PART NO.	DESCRIPTION	KEY PART NO.	PART NO.	DESCRIPTION
1	873 68 05-00	Nut, Crownlock 5/16-18	11	532 12 33-95	Arm, Ground Drive Clutch
2	874 76 05-12	Bolt, Hex Hd. 5/16-18 UNC x 3/4	12	532 00 48-59	Idler, Flat
3	532 12 34-48	Keeper, Engine Mower Drive R.H. Belt	13	819 13 13-16	Washer 13/32 x 13/16 x 16 Ga.
4	532 12 13-16	Pulley, Engine	14	873 93 06-00	Nut, Centerlock 3/8-1 6 UNC
5	810 04 07-00	Washer, Lock Hvy. Helical Spring 7/16	15	873 68 06-00	Nut, Crownlock 3/8-16 UNC
6	871 13 07-20	Bolt, Fin. Hex 7/16-20 UNF x 1-1/4 Gr. 8	16	532 12 64-71	Clip, Insulated
7	532 12 65-20	Traction, V-Belt Drive	17	532 12 20-52	Spacer, Retainer
8	532 12 34-05	Keeper, T/A Ground Drive Belt	18	532 12 33-97	Spring, Extension
9	872 14 06-12	Bolt, Carriage 3/8-16 UNC x 1-1/2	19	873 51 05-00	Nut, Keps 5/16-18 UNC
10	532 12 33-96	Keeper, Belt Ground Drive Idler	20	532 12 38-91	Keeper, T/A Ground Drive Belt
			21	819 11 10-16	Washer 11/32x5/8x16Ga.
			22	532 12 34-04	Keeper, Frame Ground Drive Belt
			23	532 12 34-02	Keeper, Engine Mower Drive L.H. Belt

HARDWARE SHOWN LARGER FOR EASIER IDENTIFICATION

# ILLUSTRATED PARTS BREAKDOWN

## TRANSAXLE

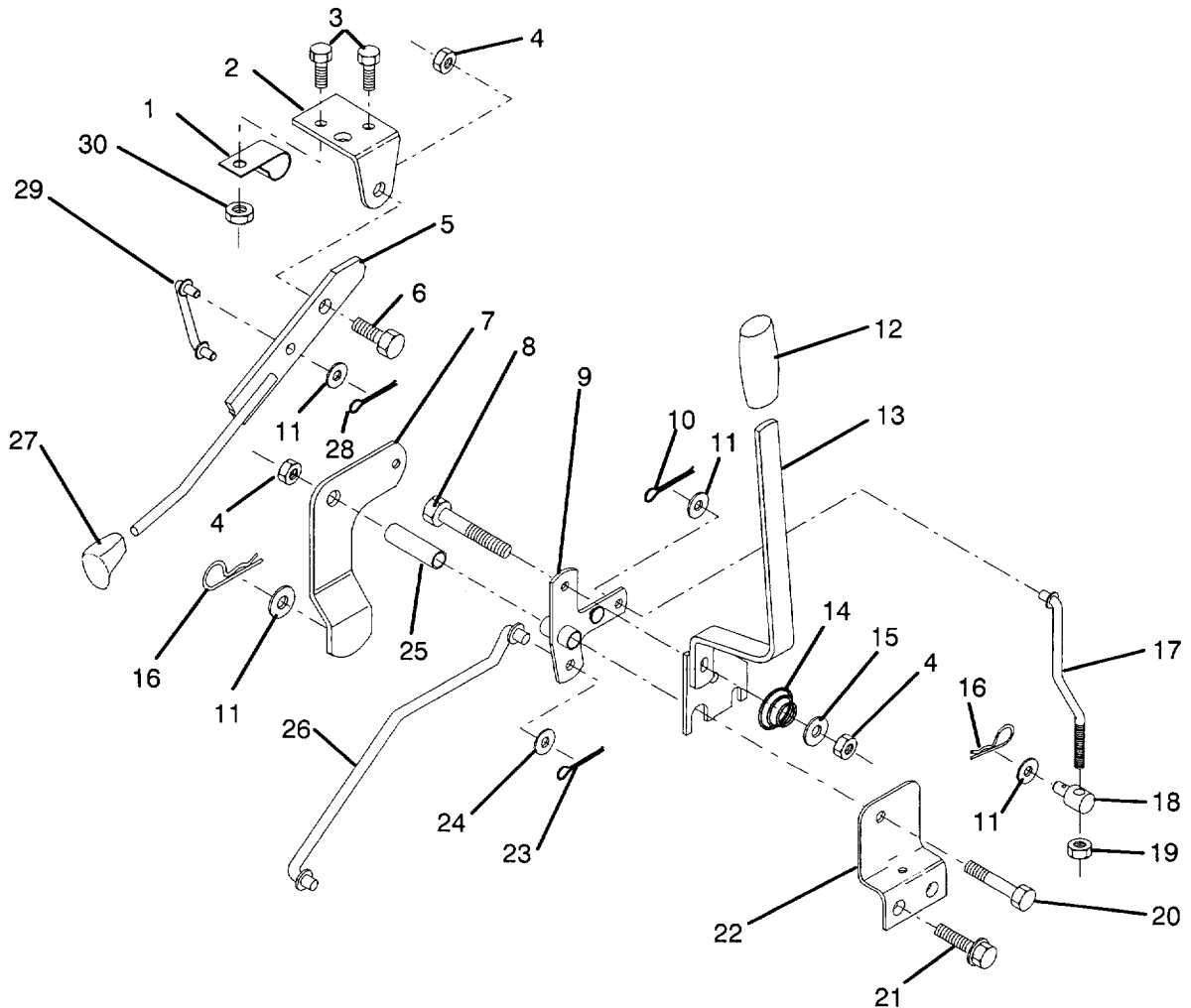


KEY NO.	PART NO.	DESCRIPTION	KEY NO.	PART NO.	DESCRIPTION
1	532 12 33-85	Pulley	20	532 12 35-83	Key, Square
2	812 00 00-28	Ring, Retainer	21	874 76 05-40	Bolt, Fin, Hex 5/16-18 x 2-1/2
3	532 12 70-54	Transaxle, Peerless 6 Speed Model Number 143.930-028	22	819 11 11-16	Washer 11/32x1/16x16Ga.
4	532 12 50-96	Key, Woodruff #9	23	532 12 33-77	Bracket, Transaxle
5	873 68 05-00	Nut, Crownlock 5/16-18	24	817 49 05-12	Screw, 5/16-18 x 3/4
6	872 14 05-06	Bolt, Carriage 5/16-18 UNC x 3/4	25	876 02 04-16	Pin, Cotter 1/8 X 1
7	532 12 33-78	Strap, Torque	26	532 12 33-93	Spring, Extension
8	817 49 05-08	Screw, Hex Thdrol. 5/16-18x1/2	27	532 12 62-93	Link, Shift
9	532 11 04-22	Spring, Brake	28	810 04 04-00	Washer, Lock Hvy. Helical Spring 1/4
10	532 05 91-92	Cap, Valve	29	871 04 04-12	Bolt, Fin, Hex 1/4-28 UNF x 3/4 Gr.8
11	532 06 51-39	Stem, Valve	30	819 09 12-10	Washer 9/32 x 3/4 x 10 Ga.
12	532 00 81-34	Tube	31	532 12 20-11	Knob, Shift Contol
13	532 10 62-30	Tire, Rear	32	532 12 36-92	Retainer, Knob
14	532 12 17-49	Washer 25/32 x 1 -1/4 x 16 Ga.	33	532 12 59-76	Assembly, Shift Handle
15	532 12 17-48	Washer 25/32 x 1-5/8 x 16 Ga.	34	873 51 05-00	Nut, Keps 5/16-18
16	812 00 00-01	E-Ring	35	532 10 57-01	Washer, Shift Plate
17	532 10 47-57	Cap, Axle	36	532 12 62-92	Arm, Shift
18	532 12 48-05	Rim	37	873 81 05-00	Nut, Hex Nylon 5/16-24
19	532 12 34-09	Spacer			

HARDWARE SHOWN LARGER FOR EASIER IDENTIFICATION

# ILLUSTRATED PARTS BREAKDOWN

## MOWER LIFT LEVER

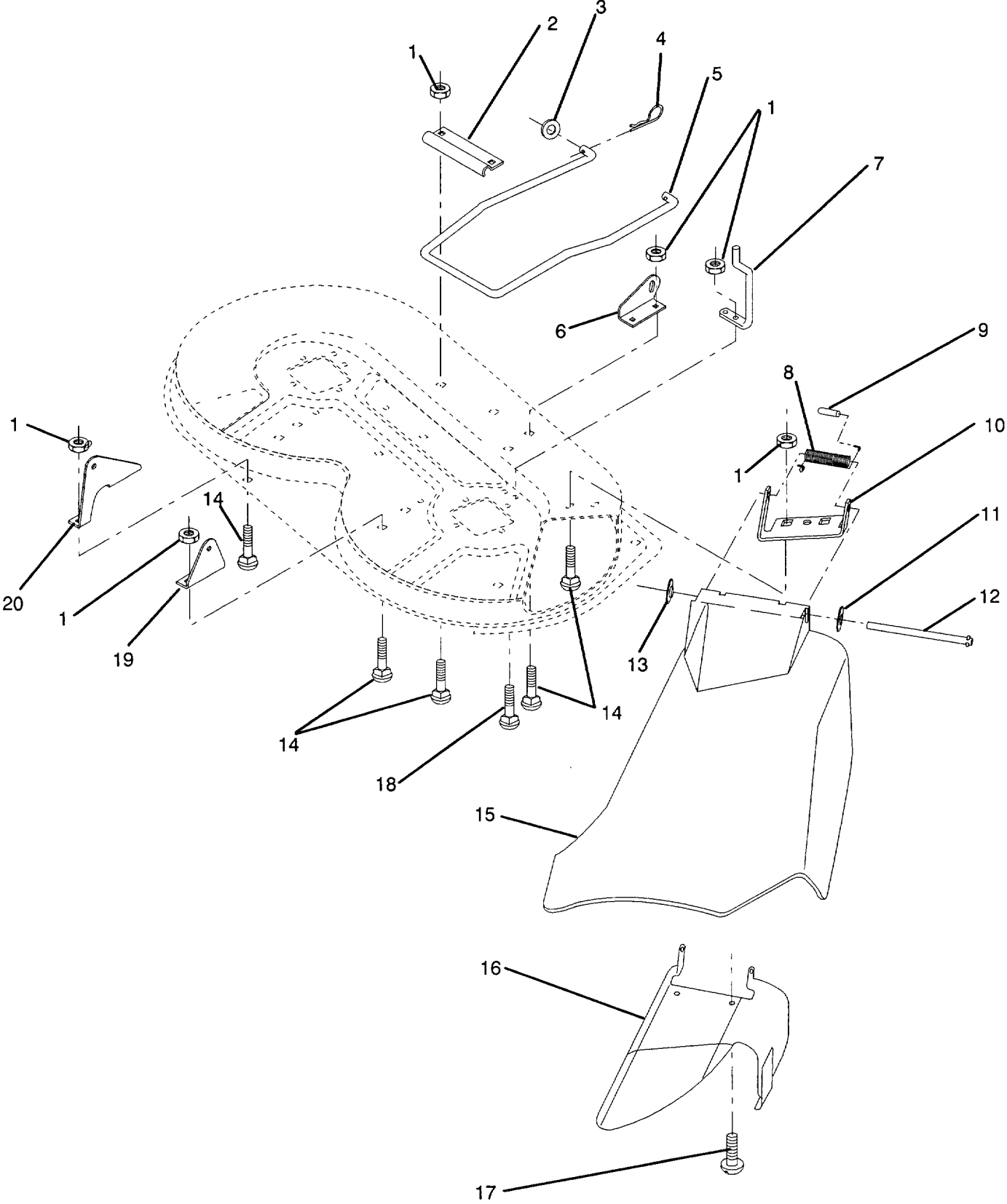


KEY NO.	PART NO.	DESCRIPTION	KEY NO.	PART NO.	DESCRIPTION
1	532 12 64-70	Clip, Insulated	16	532 00 49-21	Retainer, Spring
2	532 12 20-18	Bracket, Mower Clutch	17	532 12 36-54	Link, Front Lift
3	874 78 04-08	Bolt, Fin. Hex	18	532 00 70-78	Trunnion, Threaded 3/8-16
		1/4-20Uncx1/2Gr.5	19	873 35 06-00	Nut, Hex Jam 3/8x16 UNC
4	873 68 06-00	Nut, Crownlock 3/8-16 UNC	20	874 76 06-44	Bolt, Fin. Hex
5	532 12 34-17	Assembly, Clutch Lever			3/8-16 UNC x 2-3/4
6	532 10 64-51	Bolt, Shoulder	21	817 49 05-08	Screw, HexThdrol. 5/16-18 x 1/2
7	532 12 34-91	Assembly, Mower Clutch Arm	22	532 12 19-29	Bracket, Mower Height
8	874 76 06-36	Bolt, Hex 3/8-16 UNC x 2-1/4	23	876 02 04-16	Pin, Cotter 1/8 x 1
9	532 12 19-30	Assembly, Bellcrank Lift	24	819 17 16-16	Washer 17/32 x 1 x 16 Ga.
10	876 02 04-12	Pin, Cotter 118x314	25	532 12 19-33	Tube, Spacer
11	819 13 13-16	Washer, 13/32 x13/16x16Ga.	26	532 12 19-34	Rod, Mower Lift
12	532 12 20-27	Grip, Handle	27	532 12 14-66	Knob
13	532 12 70-28	Assembly, Lift Handle	28	876 02 03-12	Pin, Cotter 3/32 x 3/4
14	532 12 34-96	Spring, Compression	29	532 12 36-71	Link, Mower Clutch
15	819 13 12-12	Washer, 13/32 x 3/4 x 12 Ga.	30	873 68 04-00	Nut, Crownlock 1/4-20

HARDWARE SHOWN LARGER FOR EASIER IDENTIFICATION

# ILLUSTRATED PARTS BREAKDOWN

## MOWER DECK



# ILLUSTRATED PARTS BREAKDOWN

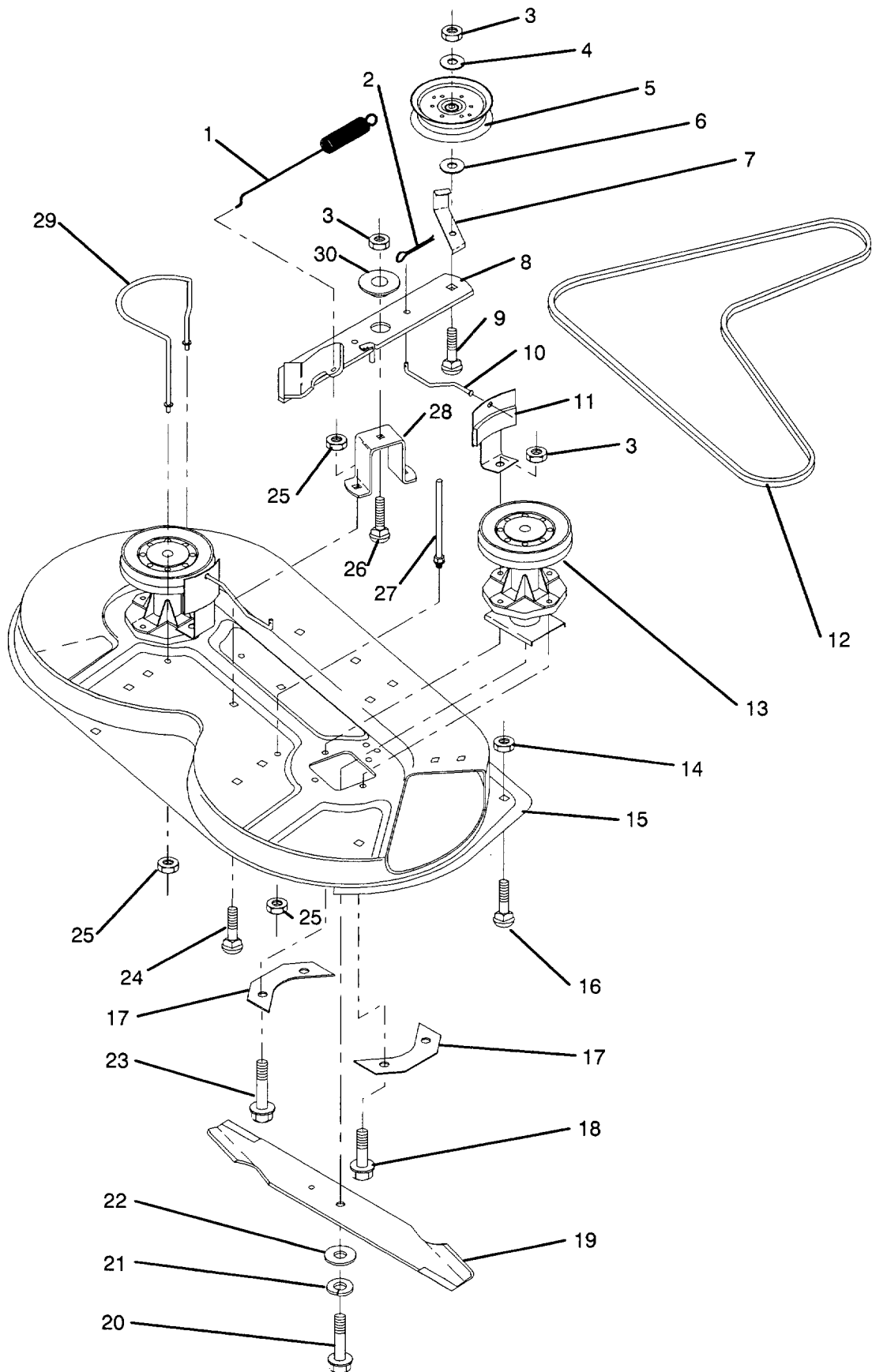
## MOWER DECK

KEY NO.	PART NO.	DESCRIPTION	KEY NO.	PART NO.	DESCRIPTION
1	873 68 05-00	Nut Crownlock 5/16-18	15	532 12 63-70	Guard, Discharge
2	532 12 20-47	Bracket, Stabilizer Link	16	532 12 56-29	Assembly, Deflector Support
3	819 17 17-13	Washer 17/32 x 1 1/16 x 13 Ga.	17	817 05 10-07	Screw, Pan Hd. PLT-30
4	532 12 46-60	Clip, Hairpin	18	874 76 05-12	Bolt, Hex Head 5/16-18 UNC x 3/4
5	532 12 46-36	Stabilizer, Mower Link	19	532 12 20-43	Bracket, R.H. Rear Lift
6	532 12 20-45	Bracket, R.H. Front Lift	20	532 12 20-44	Bracket, L.H. Rear Lift
7	532 12 36-61	Guide, Front Mandrel R.H. Mower Beit	-	532 12 61-95	Decal, Caution (Swedish/Danish/ Norwegian/Finnish)
8	532 12 37-13	Spring, Torsion	-	532 10 58-14	Decal, Belt Installation
9	532 10 53-04	Cap, Sleeve	-	532 12 61-91	Decal, Warning (Swedish/Danish/ Norwegian/Finnish)
10	532 12 63-61	Bracket, Deflector	-	532 12 61-93	Decal, Warning (Swedish/Danish/ Norwegian/Finnish)
11	819 11 10-16	Washer 11/32x5/8x16Ga.			
12	532 12 19-80	Rod, Hinge			
13	532 11 04-52	Pushnut			
14	872 14 05-05	Bolt, Carriage 5/16-18 U NC x 5/8			

HARDWARE SHOWN LARGER FOR EASIER IDENTIFICATION

# ILLUSTRATED PARTS BREAKDOWN

## MOWER DECK





# ILLUSTRATED PARTS BREAKDOWN

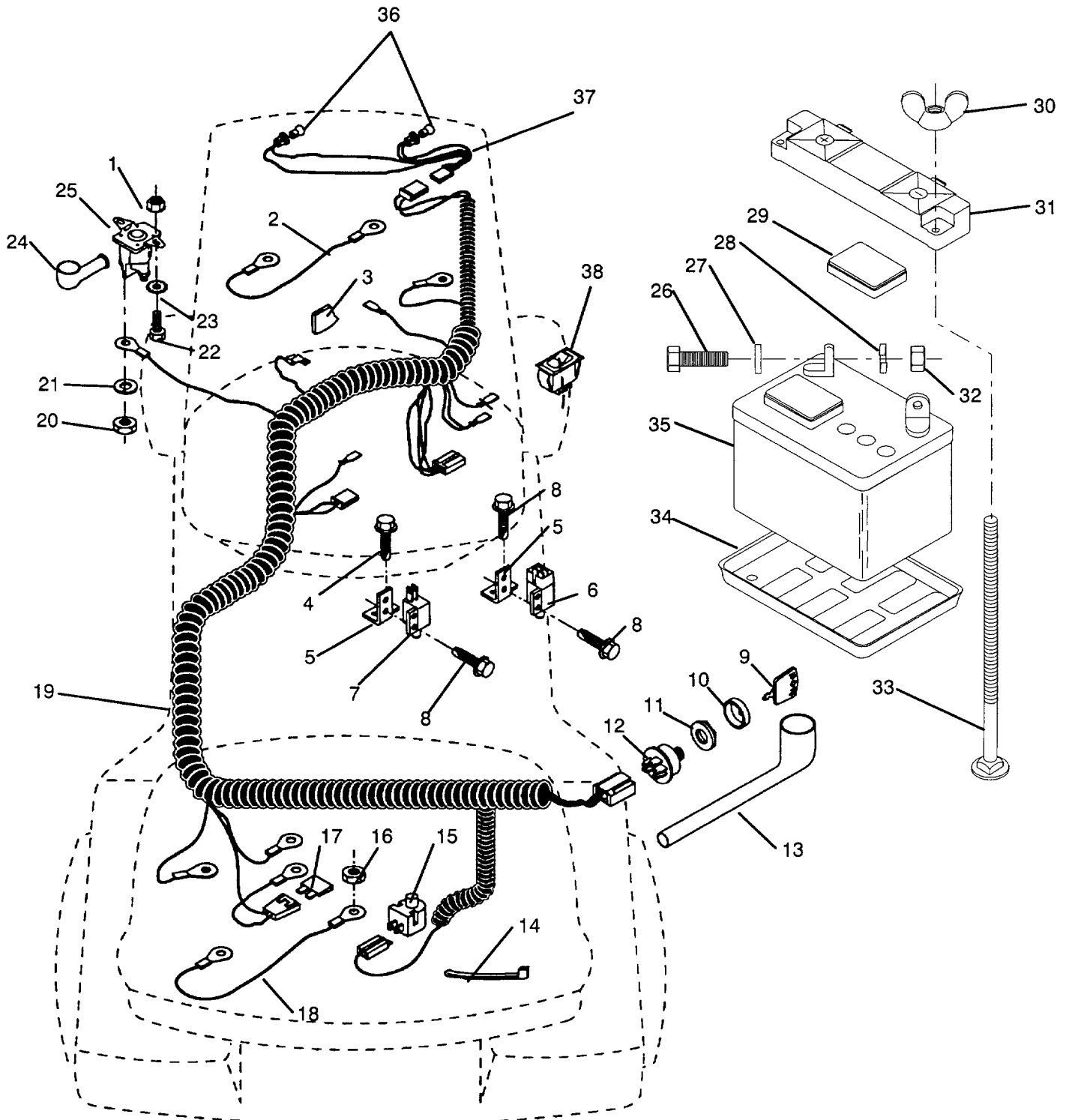
## MOWER DECK

KEY NO.	PART NO.	DESCRIPTION	KEY NO.	PART NO.	DESCRIPTION
1	532 12 20-28	Spring, Mower Clutch	18	817 49 06-14	Screw Hex Thdrol. 3/8-16 x 7/8
2	876 02 03-12	Pin, Cotter3/32x3/4	19	532 12 22-60	Blade, Low Lift
3	873 68 06-00	Nut, Crownlock 3/8-16 UNC	20	874 61 06-24	Bolt, Fin. Hex 3/8-24 UNF x 1-1/2 Gr. 5
4	819 13 14-12	Washer 13/32 x 7/8 x 12 Ga.	21	810 03 06-00	Washer, Lock Hvy.3/8
5	532 12 13-16	Idler, Flat	22	819 13 20-12	Washer 13/32 x 1 1/4 x 12 Ga.
6	819 13 22-03	Washer 13/32 x 1-3/8 x 3 Ga.	23	817 49 06-20	Screw Hex Thdrol. 3/8-16x 1-1/4
7	532 12 67-56	Guide, Belt	24	872 14 05-05	Bolt,Carriage5/16-18UNCx5/8
8	532 12 37-02	Assembly, Mower Idler Arm	25	873 68 05-00	Nut,Crownlock 5/16-18
9	872 11 06-18	Bolt, Carriage 3/8-16 x 2 1/4	26	872 11 06-08	Bolt, Carriage 3/8-16 UNC x 1 Gr. 5
10	532 12 20-49	Rod, Brake	27	532 12 34-39	Guide, R.H. Rear Belt
11	532 10 65-78	Assembly, Brake	28	532 12 20-51	Support, Idler Arm
12	532 12 42-93	V-Belt	29	532 12 36-73	Guide, L. H. Belt
13	532 12 42-08	Assembly, Mandrel	30	532 12 20-52	Spacer, Retainer
14	873 68 04-00	Nut, Crownlock 1/4-20			
15	532 12 64-10	Housing Mower 36"			
16	872 14 04-04	Bolt, Cairiage 1 /4-20 x 1/2			
17	532 10 06-68	Support, PlateJackshaft			

HARDWARE SHOWN LARGER FOR EASIER IDENTIFICATION

# ILLUSTRATED PARTS BREAKDOWN

## ELECTRICAL



# ILLUSTRATED PARTS BREAKDOWN

## ELECTRICAL

KEY NO.	PART NO.	DESCRIPTION	KEY NO.	PART NO.	DESCRIPTION
1	873 51 04-00	NutHexKeps1/4-20	22	811 05 04-00	Washer,LockExt.Tooth1/4
2	532 10 50-02	Assembly, Cable	23	532 12 47-83	Cover, Terminal
3	817 21 10-08	Screw, Hex Wsh. Tap #10-16x1/2	24	532 10 90-81	Solenoid
4	532 10 82-36	Bracket, Switch	25	874 76 04-12	Bolt, Hex Hd. 1/4-20UNCx3/4
5	532 10 44-45	Switch, Interlock	26	819 09 10-16	Washer 9/32 x 5/8 x 16 Ga.
6	532 10 95-53	Switch, Interlock	27	810 04 04-00	Washer, Lock
7	817 02 10-08	Screw, Tap Hex Hd. # 10-24 x 1/2	28	532 12 13-00	Hvy. Helical Spring 1/4
8	532 12 21-47	Key, Molded	29	532 12 31-98	Cap, Battery
9	532 12 36-20	Cover, Key Ignition	30	532 10 24-76	Nut, Plastic, Locking Wing 1 /4-20
10	532 12 42-11	Nut, Ignition	31	873 22 04-00	Guard, Terminal
11	532 12 51-04	Switch, Ignition	32	872 24 04-60	Nut, Fin. Hex 1/4-20 UNC
12	532 12 40-83	Cover, Ignition Switch	33	532 12 48-86	Bolt, Carriage
13	532 12 47-56	Tie, Cable	34	532 12 13-10	1/4-20UNCx7-1/2
14	532 12 13-05	Switch, Plunger	-	532 12 75-05	Tray, Battery
15	873 51 05-00	Keps, Nut 5/16-18	-	MS-9811	Battery
16	532 10 88-24	Fuse	-	532 10 15-39	Manual, Operators
17	532 00 05-96	Assembly, Cable	-	532 10 15-72	Briggs & Stratton, Operating and Maintenance Manual
18	532 12 37-03	Harness, Ignition	-		Sheet, Instruction Tractor 15° Slope (English)
19	873 35 04-00	Nut, Hex Jam 1 /4-20	-		Sheet, Instruction Tractor 15° Slope (French)
20	810 09 04-00	Washer, Lock 1/4			
21	874 78 04-08	Bolt Fin. Hex 1/4-20UNCx1/2 Gr.5			

HARDWARE SHOWN LARGER FOR EASIER IDENTIFICATION