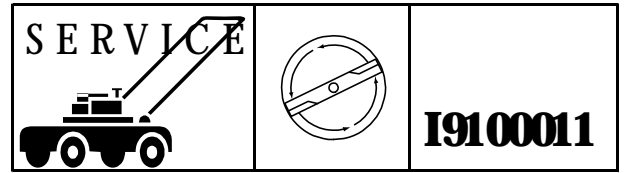


**Jonsered**



IPL, LR8 36" , 1991-04-01

# LR8 36"

**Spare parts**

**Ersatzteile**

**Pièces détachées**

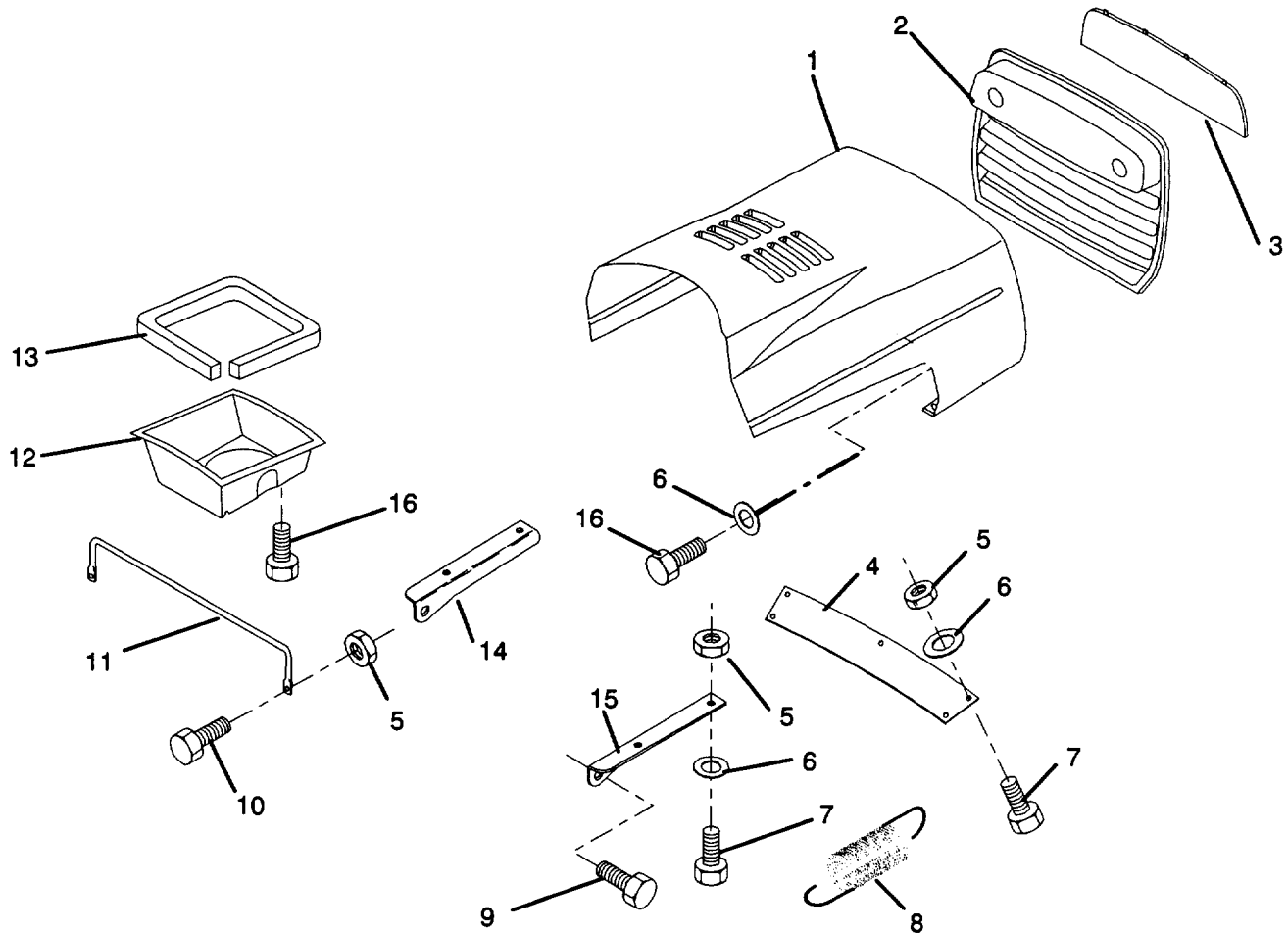
**Reserve onderdelen**

**Repuestos**

**Reservdelar**

# ILLUSTRATED PARTS BREAKDOWN

## HOOD



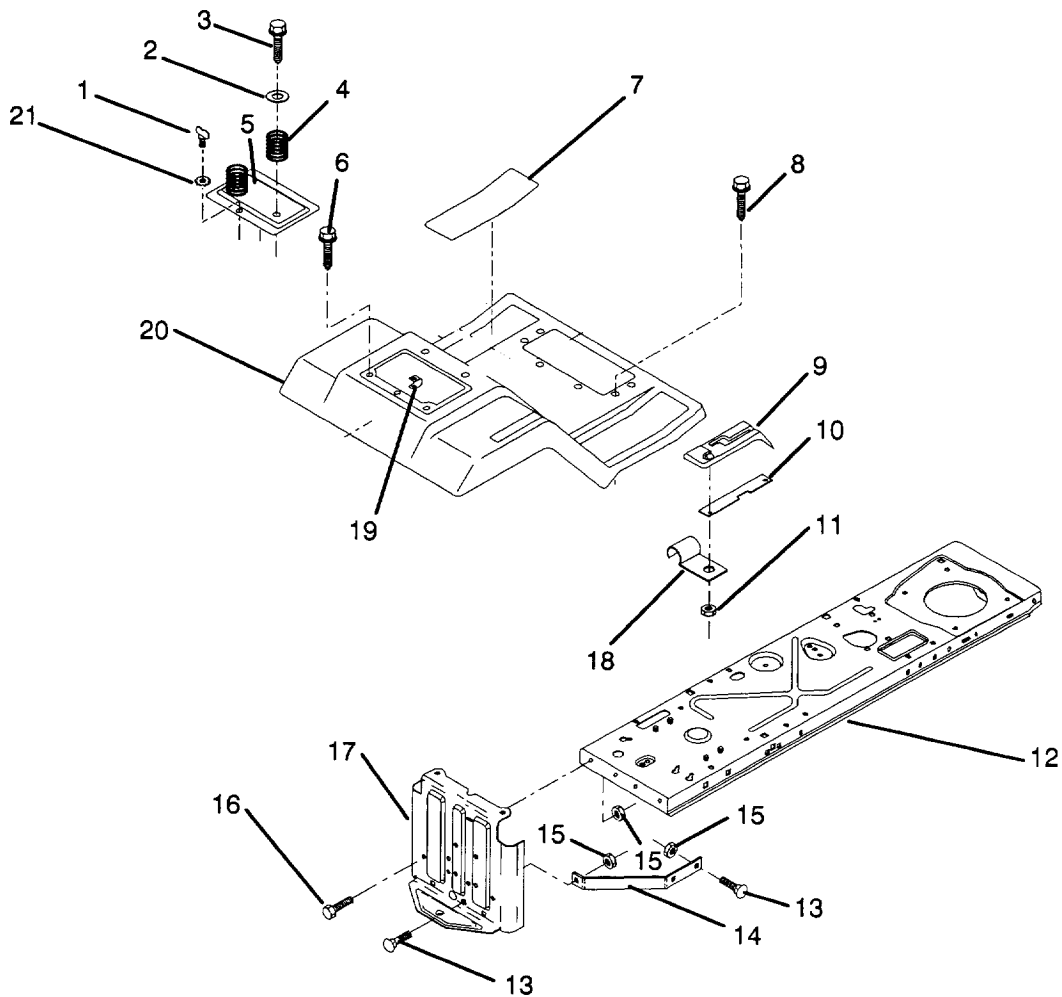
| KEY PART NO. | NO.          | DESCRIPTION                             |
|--------------|--------------|---|
| 1            | 532 12 49-30 | Hood                                    |
| 2            | 532 12 62-68 | Grill                                   |
| 3            | 532 12 20-35 | Lens                                    |
| 4            | 532 12 49-33 | Strap, Grill                            |
| 5            | 873 51 04-00 | Nut, Hex Keps 1/4-20 UNC                |
| 6            | 819 09 10-16 | Washer, 9/32 x 5/8 x 16 Ga.             |
| 7            | 874 78 04-10 | Bolt, Hex Fin. 1/4 x 20 UNC x 5/8 Gr. 5 |
| 8            | 532 12 46-57 | Spring, Extention                       |
| 9            | 532 12 66-75 | Bolt, Thrd. Forming Shoulder            |
| 10           | 874 78 04-12 | Bolt, Hex Fin. 14-20 x 3/4 Gr. 5        |

| KEY PART NO. | NO.          | DESCRIPTION                        |
|--------------|--------------|------------------------------------|
| 11           | 532 12 36.93 | Brace, Hood                        |
| 12           | 532 12 38-40 | Duct, Air                          |
| 13           | 532 12 05-37 | Strip, Foam                        |
| 14           | 532 12 25-48 | Bracket, Hood L.H.                 |
| 15           | 532 12 25-49 | Bracket, Hood R.H.                 |
| 16           | 817 41 13-10 | Screw, Fin. Hex #13-16 Hi-Lo x 5/8 |
| -            | 532 12 74-72 | Decal, L.H. Hood Stripe            |
| -            | 532 12 74-73 | Decal, R.H. Hood Stripe            |
| -            | 532 12 76-13 | Decal, Side Panel 8 HP             |

HARDWARE SHOWN LARGER FOR EASIER IDENTIFICATION

# ILLUSTRATED PARTS BREAKDOWN

## FENDER / CHASSIS

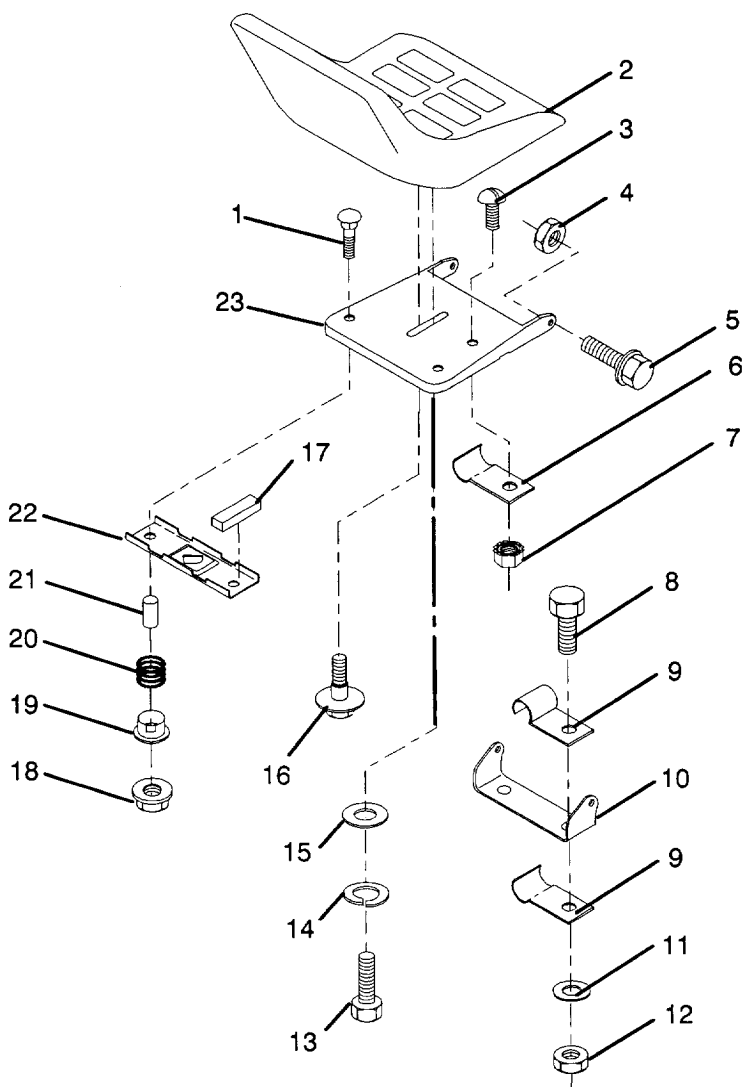


| KEY PART NO. | PART NO.     | DESCRIPTION                            | KEY PART NO. | PART NO.     | DESCRIPTION  |
|--------------|--------------|--|--------------|--------------|--|
| 1            | 532 12 36-50 | Stud 1/4Turn                           | 15           | 873 68 05-00 | Nut, Crownlock 5/16-18                                       |
| 2            | 819 13 20-12 | Washer 13/32 x 1- 1/4 x 12 Ga.         | 16           | 874 76 05-12 | Bolt, Hex Hd. 5/16-18 UNC x 3/4                              |
| 3            | 817 49 06-12 | Screw, Hex Wsh. Thrdrol. 3/8-16 x 3/4  | 17           | 532 12 78-80 | Drawbar  |
| 4            | 532 12 41-81 | Spring, Compression, Seat              | 18           | 532 12 64-70 | Clip, Insulated  |
| 5            | 532 12 49-36 | Door, Fender                           | 19           | 532 10 58-39 | Receptacle, 1/4Turn  |
| 6            | 817 49 05-08 | Screw, Hex Wsh. Thrdrol. 5/16-18 x 1/2 | 20           | 532 12 49-35 | Fender/Footrest  |
| 7            | 532 12 41-44 | Pad, Footrest                          | 21           | 532 10 58-38 | Retainer, 1/4 Turn   |
| 8            | 817 49 05-12 | Screw, Hex Wsh. Thrdrol. 5/16-18 x 3/4 | -            | 532 12 34-08 | Decal, Belt Installation (under footrest)                    |
| 9            | 532 12 69-96 | Console, Shift Control                 | -            | 532 12 61-55 | Decal, Operating Instructions (Swedish/Danish/Dutch/Finnish) |
| 10           | 532 12 46-02 | Bar, Shift Lock                        | -            | 532 12 74-71 | Decal, Fender (rear fender)                                  |
| 11           | 532 12 43-46 | Nut Self Thrd., Wsh. Hd. 3/8           | -            | 532 12 61-87 | Decal, Certification   |
| 12           | 532 12 36-45 | Assembly, Frame                        | -            | 532 12 61-88 | Decal, Battery Caution (under fender door)                   |
| 13           | 872 14 05-06 | Bolt, Carriage 5/16-18 UNC x 3/4       |              |              |  |
| 14           | 532 12 33-79 | Brace, Drawbar                         |              |              |  |

HARDWARE SHOWN LARGER FOR EASIER IDENTIFICATION

# ILLUSTRATED PARTS BREAKDOWN

## SEAT

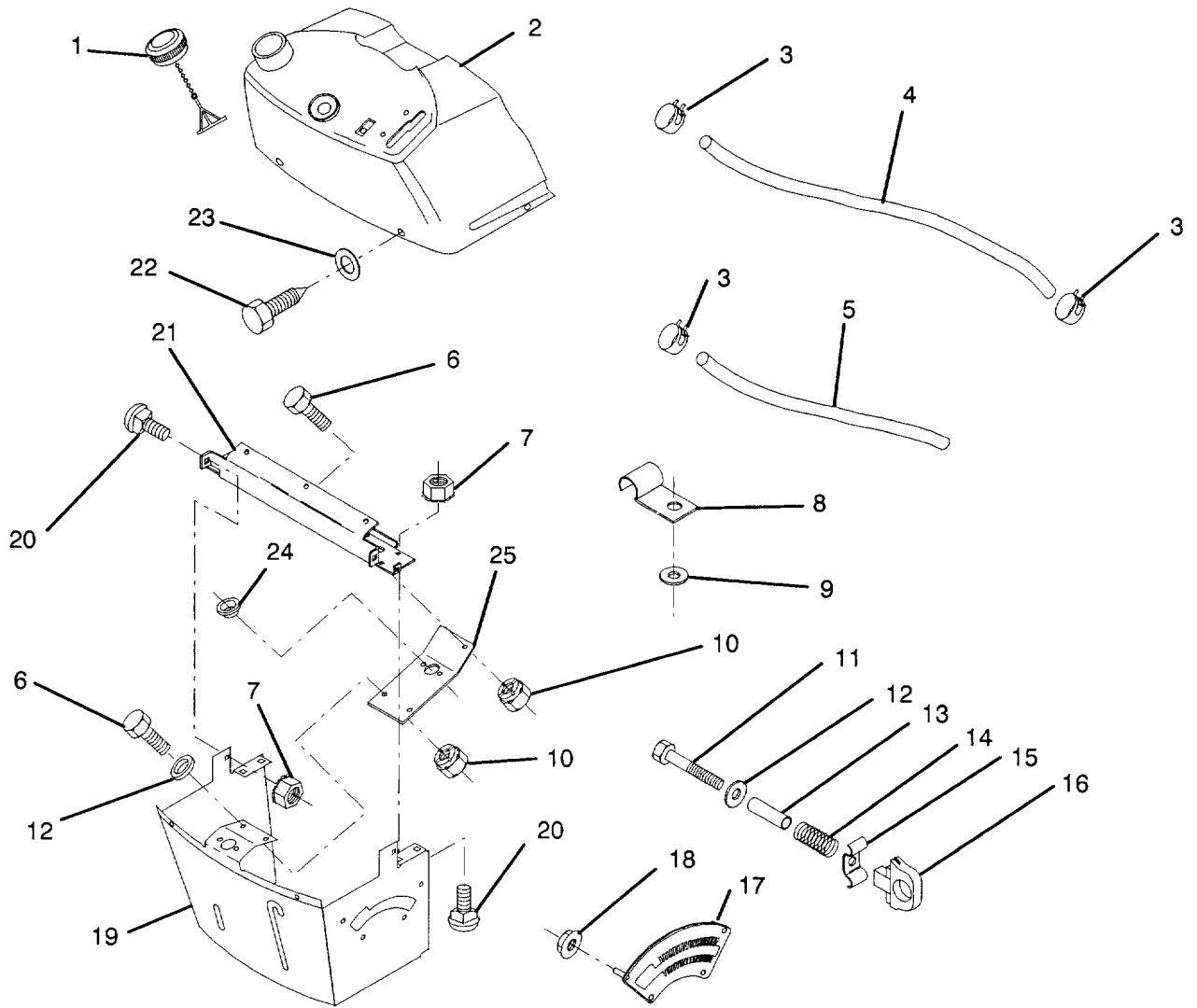


| KEY NO. | PART NO.     | DESCRIPTION                          | KEY NO. | PART NO.     | DESCRIPTION                          |
|---------|--------------|--------------------------------------|---------|--------------|--------------------------------------|
| 1       | 872 17 04-10 | Bolt, Carriage 1/4-20x1 1/4          | 13      | 874 78 08-14 | Bolt, Fin Hex 1/2-13 UNC x 7/8 Gr. 5 |
| 2       | 532 12 74-22 | Seat                                 | 14      | 810 04 08-00 | Washer, Lock Hvy Helical Spring      |
| 3       | 874 64 10-08 | Screw, Slotted Pan Head #10-32 x 1/2 | 15      | 819 17 19-12 | Washer, 17/32 x 1 3/16 x 12 Ga.      |
| 4       | 873 68 05-00 | Nut, Crownlock 5/16-18               | 16      | 532 12 70-18 | Bolt, Shoulder                       |
| 5       | 532 10 55-29 | Bolt, Shoulder 5/16-18 UNC           | 17      | 532 12 12-51 | Strip, Foam                          |
| 6       | 532 00 41-71 | Clip, Insulated                      | 18      | 532 12 39-76 | Nut, Hex Large Flange Lock           |
| 7       | 873 95 10-00 | Nut, Keps #10-32UNF                  | 19      | 532 12 12-48 | Bushing, Snap                        |
| 8       | 874 76 06-12 | Bolt, Fin. Hex 3/8-16 UNC x 3/4      | 20      | 532 12 12-50 | Spring, Compression                  |
| 9       | 532 12 64-71 | Clip, Insulated                      | 21      | 532 12 12-49 | Spacer, Split 281d.x.88Lg.           |
| 10      | 532 12 66-56 | Bracket, Pivot Seat                  | 22      | 532 12 12-46 | Bracket, Switch, Mounting            |
| 11      | 819 13 12-10 | Washer 13/32 x 3/4 x 10 Ga.          | 23      | 532 12 42-94 | Pan, Seat                            |
| 12      | 873 68 06-00 | Nut, Crownlock 3/8-16 UNC            |         |              |                                      |

HARDWARE SHOWN LARGER FOR EASIER IDENTIFICATION

# ILLUSTRATED PARTS BREAKDOWN

## DASH

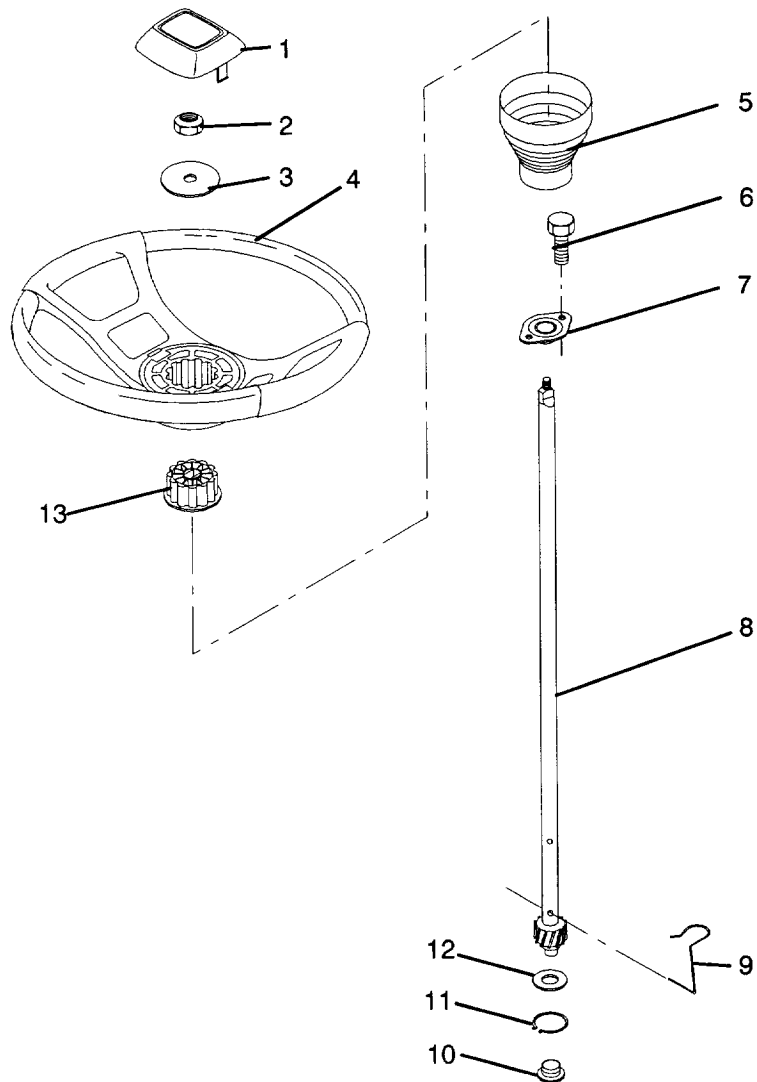


| KEY NO. | PART NO.     | DESCRIPTION                   | KEY NO. | PART NO.     | DESCRIPTION                       |
|---------|--------------|-------------------------------|---------|--------------|-----------------------------------|
| 1       | 532 12 20-15 | Cap, Fuel                     | 14      | 532 12 48-74 | Spring                            |
| 2       | 532 12 39-86 | Assembly, Dash & Fuel Tank    | 15      | 532 12 34-93 | Clip, Height Adjustment           |
| 3       | 532 12 34-87 | Clamp, Hose                   | 16      | 532 12 61-15 | Knob, Height Stop                 |
| 4       | 532 00 85-48 | Line, Fuel                    | 17      | 532 1 20-23  | Adjustment, Quadrant Height       |
| 5       | 532 00 85-44 | Line, Fuel                    | 18      | 532 12 43-46 | Nut, Self Thread 3/16-18          |
| 6       | 874 78 04-12 | Bolt                          | 19      | 532 12 17-89 | Support, Dash                     |
| 7       | 873 51 04-00 | Nut, Hex Keps 1/4-20          | 20      | 872 11 04-04 | Bolt, Carriage 1/4-20 x 1/2 Gr. 5 |
| 8       | 532 12 49-96 | Clip, Fuel fine               | 21      | 532 12 20-16 | Brace, Cross                      |
| 9       | 819 09 12-16 | Washer 9/32 x 3/4 x 16 Ga.    | 22      | 532 13 00-52 | Screw, Self Tap 1/4-20 x 1/2      |
| 10      | 873 69 04-00 | Nut                           | 23      | 819 09 08-16 | Washer 9/32 x 1/2 x 16 Ga.        |
| 11      | 874 76 04-32 | Bolt, Fin. Hex 1/4-20 x 2     | 24      | 532 11 04-36 | Grommet, Split                    |
| 12      | 819 11 11-16 | Washer 11/32 x 11/16 x 16 Ga. | 25      | 532 13 00-51 | Plate, Support                    |
| 13      | 532 12 34-94 | Spacer, Split                 |         |              |                                   |

HARDWARE SHOWN LARGER FOR EASIER IDENTIFICATION

# ILLUSTRATED PARTS BREAKDOWN

## STEERING WHEEL

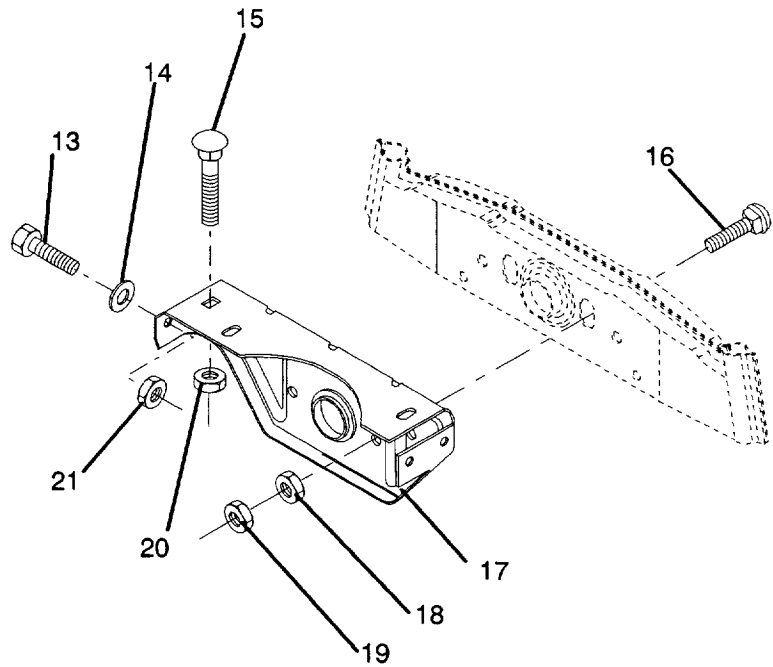
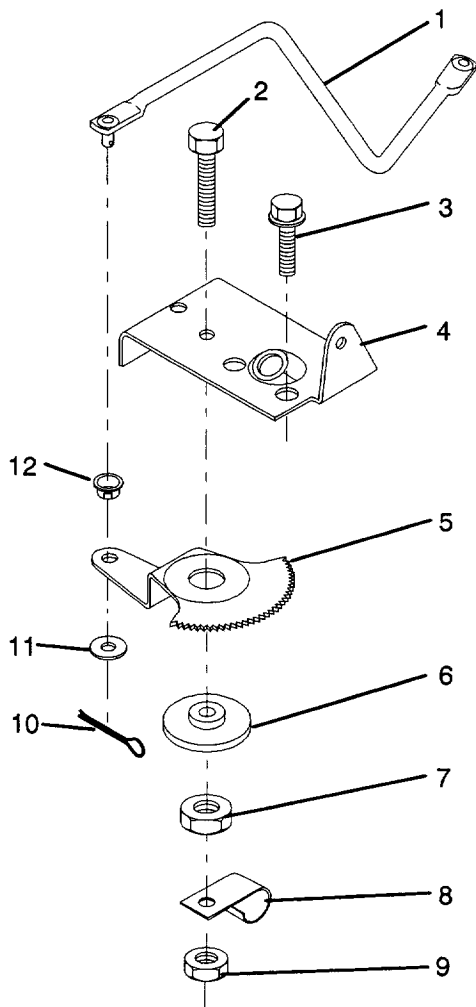


| KEY NO. | PART NO.     | DESCRIPTION                           | KEY NO. | PART NO.     | DESCRIPTION               |
|---------|--------------|---------------------------------------|---------|--------------|---------------------------|
| 1       | 532 10 07-10 | Insert, Wheel, Steering               | 8       | 532 12 36-51 | Shaft, Steering           |
| 2       | 532 12 47-01 | Locknut 3/8-24 UNF                    | 9       | 532 12 42-10 | Clip, Steering            |
| 3       | 819 13 38-08 | Washer 13/32 x 2-3/8 x 8 Ga.          | 10      | 532 12 34-38 | Bushing, Lower, Steering  |
| 4       | 532 10 07-13 | Wheel, Steering                       | 11      | 812 00 00-45 | Ring, Retaining           |
| 5       | 532 12 18-97 | Sleeve, Steering                      | 12      | 819 21 16-16 | Washer 21/32 x 1 x 16 Ga. |
| 6       | 817 43 10-08 | Screw, Hex Self Tap #10-16 x 1/2 TY-B | 13      | 532 10 48-20 | Adaptor, Wheel, Steering  |
| 7       | 532 10 28-03 | Bushing, Steering                     | —       | 532 12 74-96 | Decal Steering Wheel      |

HARDWARE SHOWN LARGER FOR EASIER IDENTIFICATION

# ILLUSTRATED PARTS BREAKDOWN

## SECTOR GEAR / AXLE SUPPORT



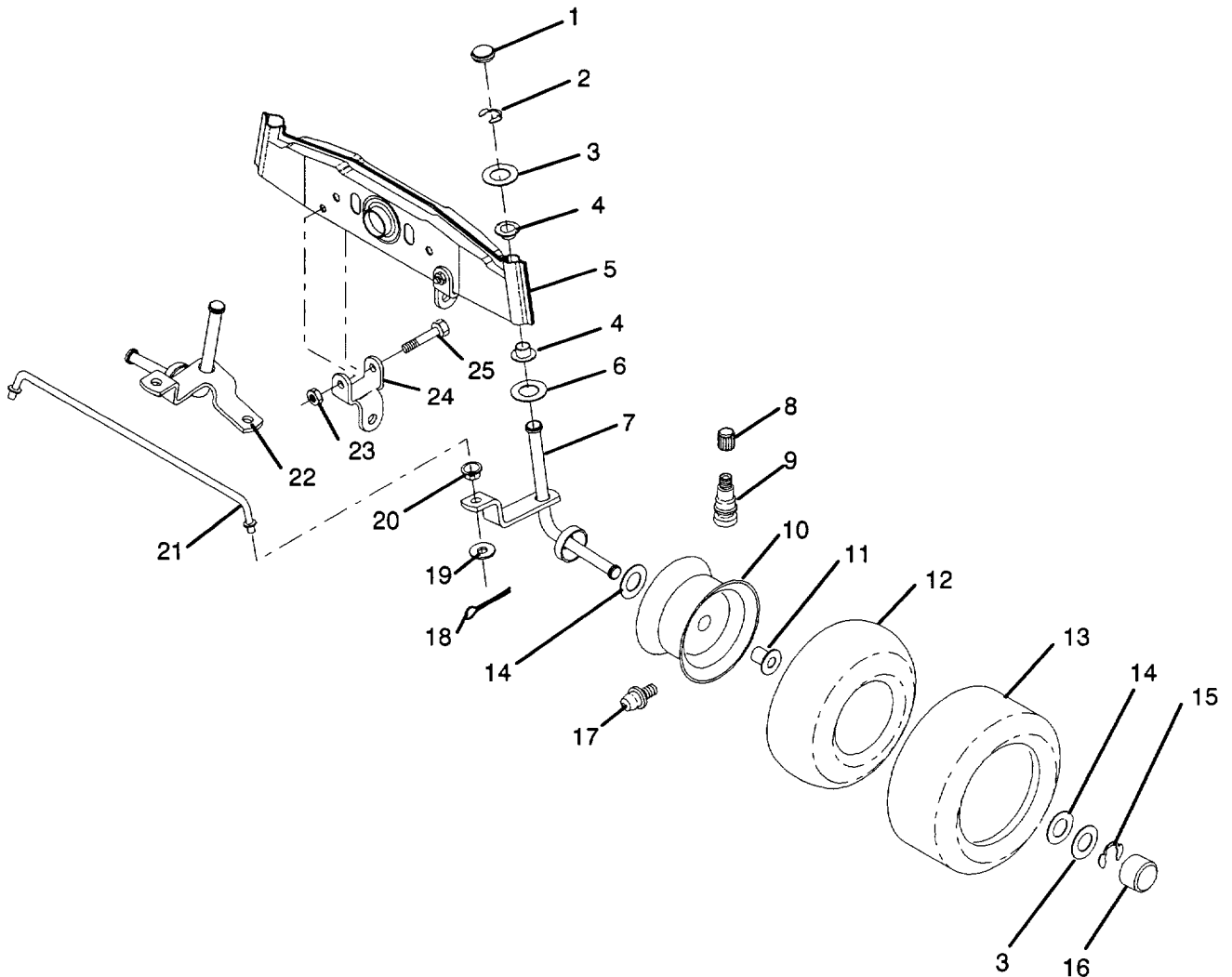
| KEY NO. | PART NO.     | DESCRIPTION                        |
|---------|--------------|------------------------------------|
| 1       | 532 12 40-93 | Link, Drag                         |
| 2       | 874 78 08-28 | Bolt, Fin. Hex 1/2-13x1 3/4        |
| 3       | 817 49 05-08 | Screw Hex Thrdrol 5/16-18 x 1/2    |
| 4       | 532 12 19-25 | Plate, Steering Support            |
| 5       | 532 12 19-26 | Gear, Sector                       |
| 6       | 532 12 19-27 | Bushing                            |
| 7       | 873 03 08-00 | Nut, Heavy Hex Top Lock 1/2-13 UNC |
| 8       | 532 12 64-72 | Clip, Insulated                    |
| 9       | 873 68 08-00 | Nut, Crownlock 1 /2-13             |
| 10      | 876 02 04-12 | Pin, Cotter 1/8 x 3/4              |

| KEY NO. | PART NO.     | DESCRIPTION                      |
|---------|--------------|----------------------------------|
| 11      | 819 13 13-16 | Washer, 13/32 x 13/16 x 16 Ga.   |
| 12      | 532 12 68-47 | Bushing                          |
| 13      | 874 76 05-12 | Bolt, Hex Hd. 5/16-18 U NC x 3/4 |
| 14      | 819 11 14-16 | Washer 11/32 x 7/8 x 16 Ga.      |
| 15      | 872 11 06-06 | Bolt, Carriage 3/8-16 UNC x 3/4  |
| 16      | 872 14 06-22 | Bolt, Carriage                   |
| 17      | 532 12 19-12 | Support, Front Axle              |
| 18      | 873 22 06-00 | Nut, Fin. Hex 3/8-16 UNC         |
| 19      | 873 93 06-00 | Nut, Centerlock 3/8-16 UNC       |
| 20      | 873 68 06-00 | Nut, Crownlock 3/8-16 UNC        |
| 21      | 873 68 05-00 | Nut, Crownlock 5/16-18           |

HARDWARE SHOWN LARGER FOR EASIER IDENTIFICATION

# ILLUSTRATED PARTS BREAKDOWN

## FRONT AXLE



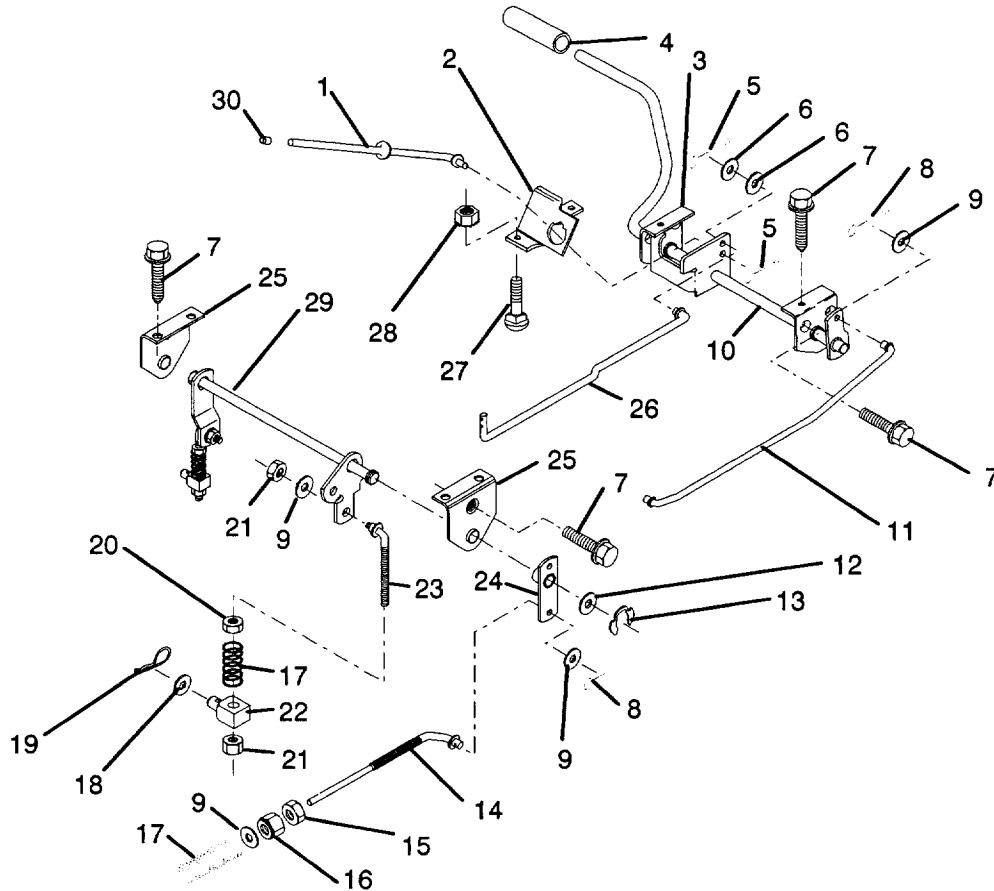
| KEY NO. | PART NO.     | DESCRIPTION                     | KEY NO. | PART NO.     | DESCRIPTION                                |
|---------|--------------|---------------------------------|---------|--------------|--|
| 1       | 532 12 12-32 | Cap, Spindle                    | 14      | 532 12 17-49 | Washer 25/32 x 1 -1/4 x 16 Ga.             |
| 2       | 812 00 00-29 | Ring, Clip                      | 15      | 812 00 00-29 | Ring, Clip                                 |
| 3       | 532 12 17-48 | Washer 25/32 x 1 -5/8 x 1 6 Ga. | 16      | 532 10 47-57 | Cap, Axle                                  |
| 4       | 532 12 19-22 | Nyliner                         | 17      | 532 00 02-78 | Fitting, Grease                            |
| 5       | 532 12 19-14 | Axle, Front                     | 18      | 876 02 04-12 | Pin, Cotter 1/8 x 3/4                      |
| 6       | 532 12 49-31 | Bearing, Thrust                 | 19      | 819 13 13-16 | Washer 13/32 x 13/16 x 16 Ga.              |
| 7       | 532 12 19-19 | Spindle R.H. Asm.               | 20      | 532 12 68-47 | Bushing                                    |
| 8       | 532 05 91-92 | Cap, Valve                      | 21      | 532 12 19-24 | Rod, Tie                                   |
| 9       | 532 06 51-39 | Stem, Valve                     | 22      | 532 12 19-16 | Spindle, L.H. Asm.                         |
| 10      | 532 12 48-09 | Rim                             | 23      | 873 68 05-00 | Nut, Crownlock 5/16-18                     |
| 11      | 532 00 90-40 | Bearing, Flange                 | 24      | 532 12 19-15 | Bracket, Front Stabilizer Link             |
| 12      | 532 05 99-04 | Tire, Front                     | 25      | 874 76 05-40 | Bolt, Hex, Fin.<br>5/16 x 18 U NC x 2 -1/2 |
| 13      | 532 12 41-42 | Tire, Front                     |         |              |  |

HARDWARE SHOWN LARGER FOR EASIER IDENTIFICATION



# ILLUSTRATED PARTS BREAKDOWN

## BRAKE / REAR MOWER LIFT ASSEMBLY

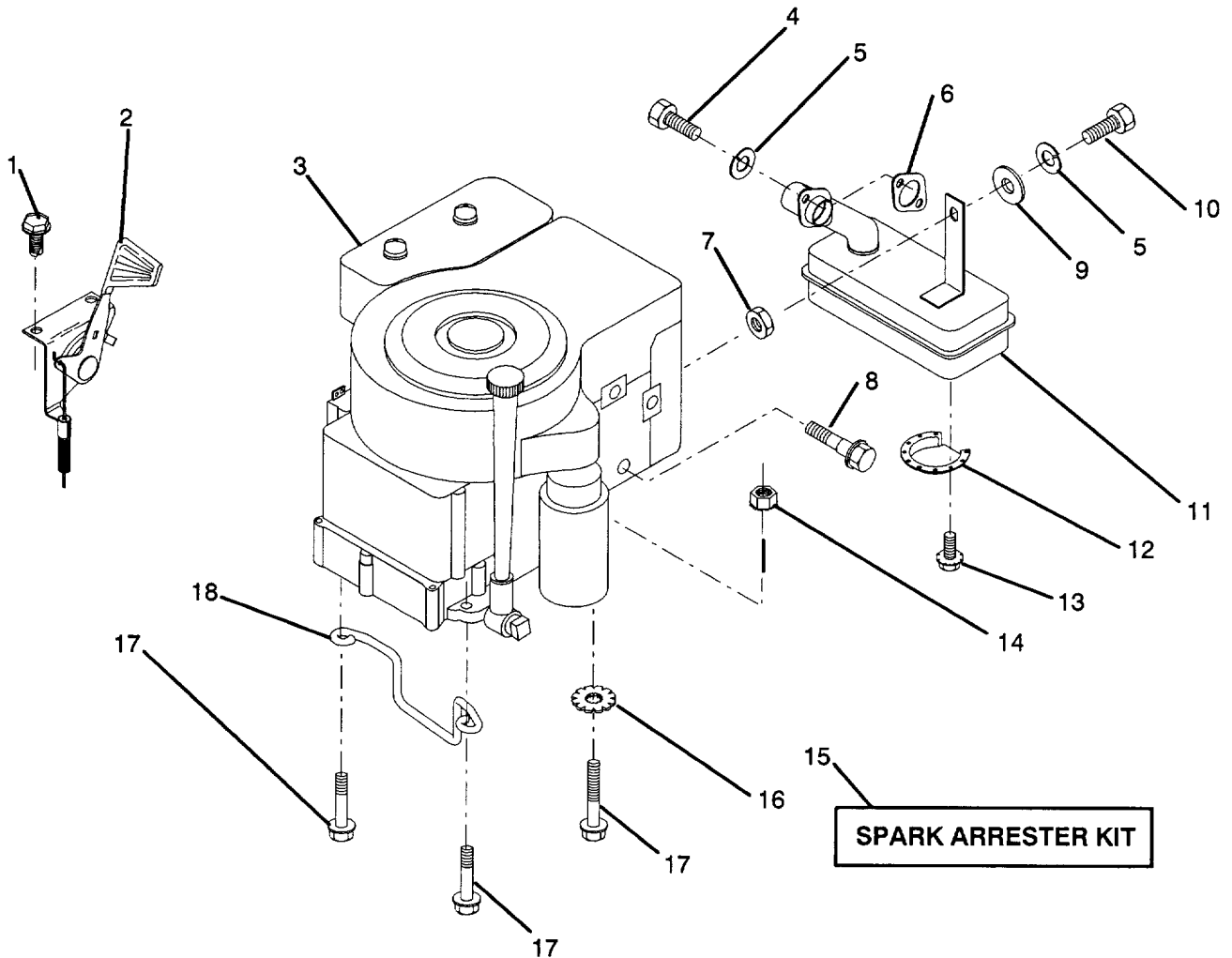


| KEY NO. | PART NO.     | DESCRIPTION                     | KEY NO. | PART NO.     | DESCRIPTION                               |
|---------|--------------|---------------------------------|---------|--------------|---|
| 1       | 532 12 34-36 | Rod, Parking Brake              | 16      | 873 80 06-00 | Nut, Lock, Hex with Wsh Insert 3/8-16 UNC |
| 2       | 532 12 34-37 | Bracket, Parking Brake          | 17      | 532 10 68-88 | Spring, Brake Rod                         |
| 3       | 532 12 25-04 | Bracket, L.H. Clutch Pedal      | 18      | 819 13 20-12 | Washer 13/32 x 1 1/4 x 12 Ga.             |
| 4       | 532 12 48-72 | Cover, Pedal                    | 19      | 532 00 49-21 | Spring, Retainer                          |
| 5       | 876 02 03-12 | Pin, Cotter                     | 20      | 873 93 06-00 | Nut, Centerlock 3/8-16 UNC                |
| 6       | 819 13 10-16 | Washer, 13/32 x 5/8 x 1 6 Ga.   | 21      | 873 68 06-00 | Nut, Crownlock 3/8-16 U NC                |
| 7       | 817 49 05-08 | Screw Hex Thdrol 5/16-1 8 x 1/2 | 22      | 532 10 62-04 | Trunnion, Lift                            |
| 8       | 876 02 04-12 | Pin, Cotter                     | 23      | 532 12 36-72 | Link, Threaded                            |
| 9       | 819 13 13-16 | Washer 13/32 x 13/16 x 16 Ga.   | 24      | 532 12 36-41 | Assembly, Brake Pivot Arm                 |
| 10      | 532 12 95-67 | Assembly, Clutch/Brake Pedal    | 25      | 532 12 19-78 | Bracket, Lift Shaft                       |
| 11      | 532 12 35-43 | Rod, Front Brake                | 26      | 532 12 33-94 | Rod, Clutch                               |
| 12      | 819 25 18-16 | Washer 25/32 x 1 1/8 x 16 Ga.   | 27      | 872 11 05-06 | Bolt, Carriage 5/16-18 UNC x 3/4          |
| 13      | 812 00 00-34 | Ring, Clip                      | 28      | 873 51 05-00 | Nut, Keps 5/1 6-18 UNC                    |
| 14      | 532 12 67-59 | Rod, Rear Brake                 | 29      | 532 12 35-47 | Assembly, Rear Mower Lift                 |
| 15      | 873 35 06-00 | Nut, Hex Jam 3/8-1 6 UNC        | 30      | 532 07 16-73 | Cap, Plunger                              |

HARDWARE SHOWN LARGER FOR EASIER IDENTIFICATION

# ILLUSTRATED PARTS BREAKDOWN

## ENGINE / THROTTLE



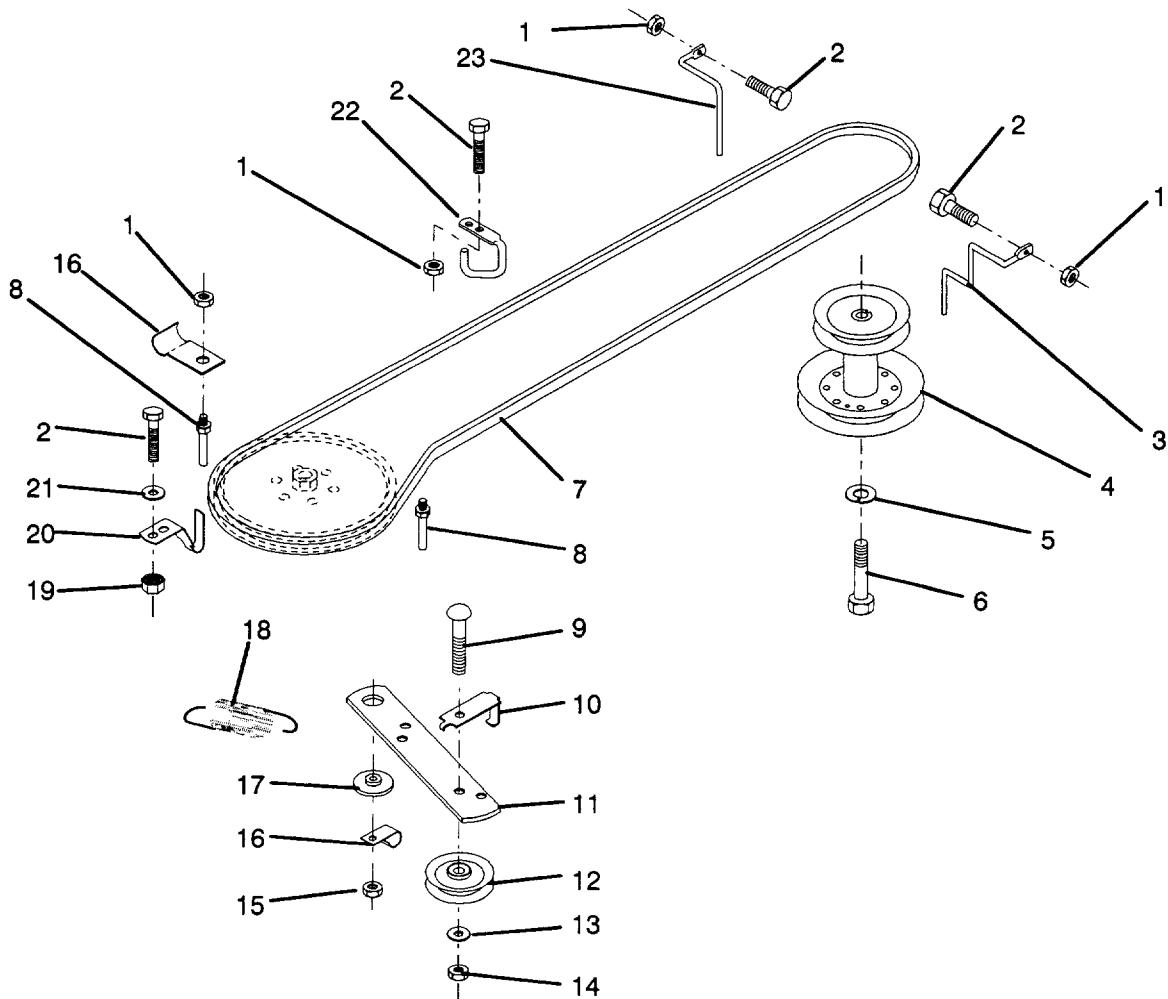
| KEY NO. | PART NO.     | DESCRIPTION   |
|---------|--------------|---|
| 1       | 817 72 04-08 | Screw,HexThd.Cut1/4-20 x1/2   |
| 2       | 532 12 59-85 | Control, Throttle   |
| 3       | 532 12 58-15 | Engine, Briggs and Stratton<br>Model No. 191707<br>Type No. 6037-01 |
| 4       | 874 78 04-10 | Bolt, Hex, Fin<br>1/4-20 UNC x 5/8 Gr. 5                            |
| 5       | 810 04 04-00 | Washer, Lock Heavy Helical<br>Spring 1/4                            |
| 6       | 532 12 07-01 | Gasket, Exhaust   |
| 7       | 873 22 05-00 | Nut, Crownlock  |
| 8       | 532 12 10-94 | Bolt, Shoulder 5/16   |
| 9       | 819 10 12-16 | Washer, 5/16 x 3/4 x 16 Ga.   |
| 10      | 874 76 04-16 | Bolt, Hex Fin.<br>1 /4-20 x 1                                       |

| KEY NO. | PART NO.     | DESCRIPTION                                |
|---------|--------------|--|
| 11      | 532 12 40-94 | Muffler                                    |
| 12      | 532 10 13-26 | Deflector, Muffler                         |
| 13      | 817 03 08-08 | Screw, Spiderlock Hex Hd.<br>8 x 1/2 ABTPS |
| 14      | 873 51 06-00 | Nut,Keeps3/8-16                            |
| 15      | 532 12 18-51 | Arrester, Spark                            |
| 16      | 811 05 06-00 | Lockwasher, Ext. Tooth 3/8                 |
| 17      | 817 49 06-24 | Screw, Hex Wsh Hd Thdrol<br>3/8-16 x 1-1/2 |
| 18      | 532 12 66-36 | Keeper, Ground Drive Belt                  |
| -       | 532 10 87-61 | Decal, Engine                              |

HARDWARE SHOWN LARGER FOR EASIER IDENTIFICATION

# ILLUSTRATED PARTS BREAKDOWN

## GROUND DRIVE

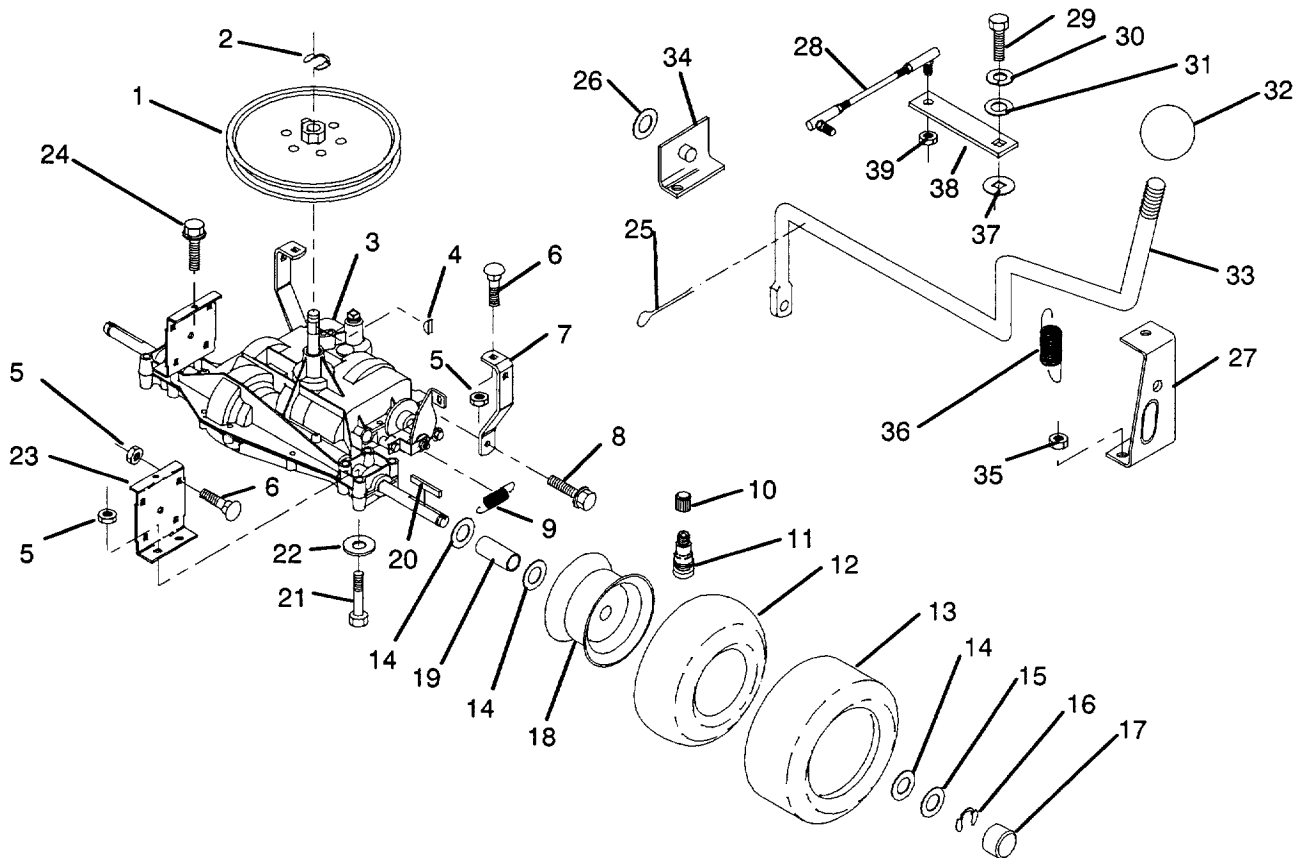


| KEY NO. | PART NO.     | DESCRIPTION                              | KEY NO. | PART NO.     | DESCRIPTION                          |
|---------|--------------|--|---------|--------------|--------------------------------------|
| 1       | 873 68 05-00 | Nut, Crownlock 5/16-18                   | 11      | 532 12 33-95 | Arm, Ground Drive Clutch             |
| 2       | 874 76 05-12 | Bolt, Hex Hd. 5/16-18 UNC x 3/4          | 12      | 532 00 48-59 | Idler, Flat                          |
| 3       | 532 12 34-48 | Keeper, Engine Mower Drive R.H. Belt     | 13      | 819 13 13-16 | Washer 13/32 x 13/16 x 16 Ga.        |
| 4       | 532 12 34-00 | Pulley, Engine                           | 14      | 873 93 06-00 | Nut, Centerlock 3/8-1UNC             |
| 5       | 810 04 07-00 | Washer, Lock Hvy. Helical Spring 7/16    | 15      | 873 68 06-00 | Nut, Crownlock 3/8-16 UNC            |
| 6       | 871 13 07-20 | Bolt, Fin. Hex 7/16-20 UNF x 1-1/4 Gr. 8 | 16      | 532 12 64-71 | Clip, Insulated                      |
| 7       | 532 12 65-20 | Traction, V-Belt Drive                   | 17      | 532 12 20-52 | Spacer, Retainer                     |
| 8       | 532 12 34-05 | Keeper, T/A Ground Drive Belt            | 18      | 532 12 33-97 | Spring, Extension                    |
| 9       | 872 14 06-12 | Bolt, Carriage 3/8-16 UNC x 1-1/2        | 19      | 873 51 05-00 | Nut, Keps 5/16-18 UNC                |
| 10      | 532 12 33-96 | Keeper, Belt Ground Drive Idler          | 20      | 532 12 38-91 | Keeper, T/A Ground Drive Belt        |
|         |              |  | 21      | 819 11 10-16 | Washer 11/32 x 5/8 x 16 Ga.          |
|         |              |  | 22      | 532 12 34-04 | Keeper, Frame Ground Drive Belt      |
|         |              |  | 23      | 532 12 34-02 | Keeper, Engine Mower Drive L.H. Belt |

HARDWARE SHOWN LARGER FOR EASIER IDENTIFICATION

# ILLUSTRATED PARTS BREAKDOWN

## TRANSAXLE

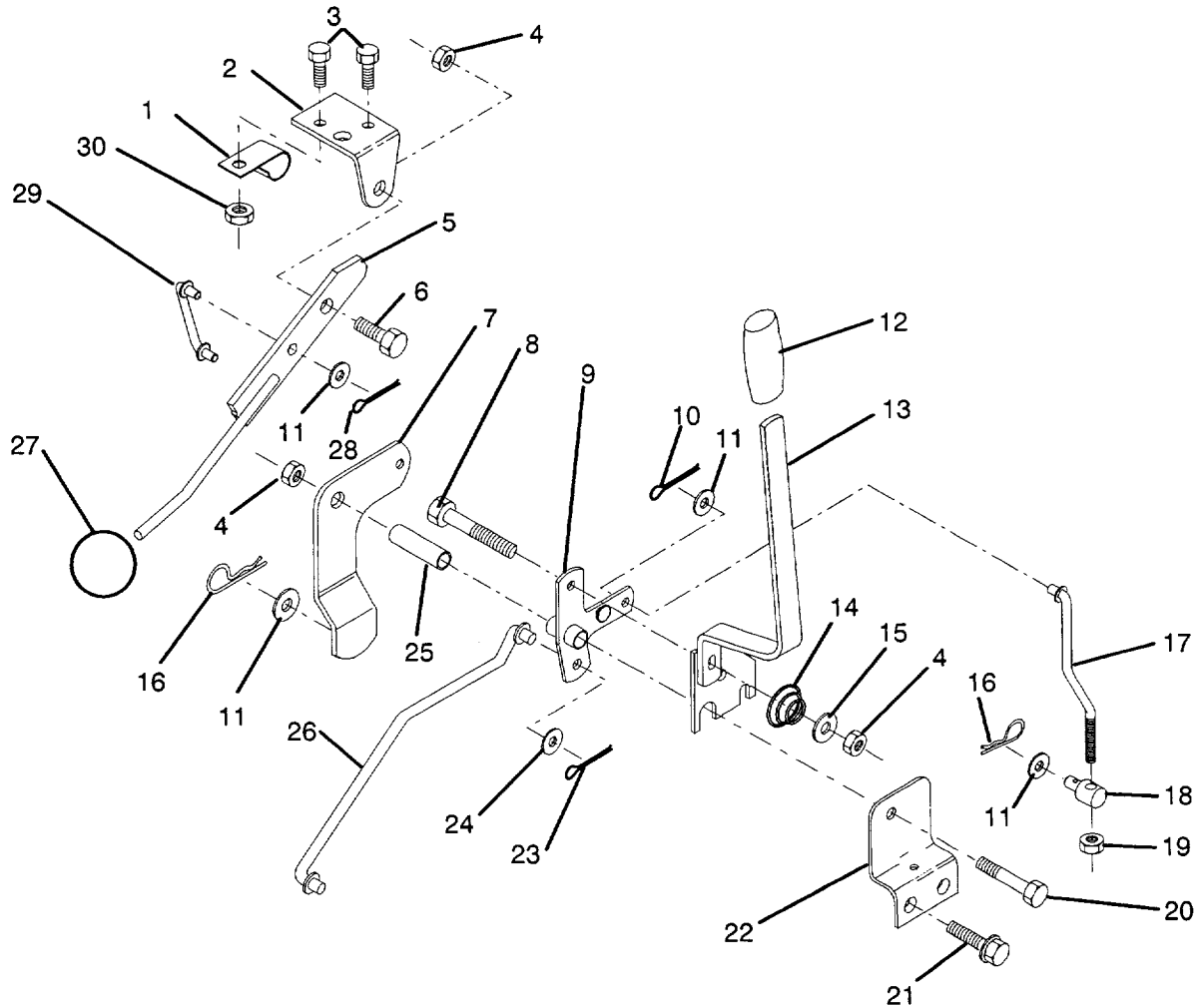


| KEY NO. | PART NO.     | DESCRIPTION                      | KEY NO. | PART NO.     | DESCRIPTION                             |
|---------|--------------|----------------------------------|---------|--------------|---|
| 1       | 532 12 33-85 | Pulley                           | 22      | 819 11 11-16 | Washer 11/32 x 11/16 x 16 Ga.           |
| 2       | 812 00 00-28 | Ring, Retainer                   | 23      | 532 12 33-77 | Bracket, Transaxle                      |
| 3       | 532 12 62-38 | Transaxle, Peerless, 4 Speed     | 24      | 817 49 05-12 | Screw, 5/16-18 x 3/4                    |
| 4       | 532 12 50-96 | Key, Woodruff #9                 | 25      | 876 02 04-16 | Pin, Cotter 1/8 532 1                   |
| 5       | 873 68 05-00 | Nut, Crownlock 5/16-18           | 26      | 819 17 16-16 | Washer 17/32 x 1 x 16 Ga.               |
| 6       | 872 14 05-06 | Bolt, Carriage 5/16-18UNC x3/4   | 27      | 532 12 80-84 | Support, Handle Shift R.H.              |
| 7       | 532 12 33-78 | Strap, Torque                    | 28      | 532 12 36-32 | Link, Shift                             |
| 8       | 817 49 05-08 | Screw, Hex Thdrol. 5/16-18 x 1/2 | 29      | 871 04 04-12 | Bolt, Fin, Hex<br>1/4-28 UNF x 3/4 Gr.8 |
| 9       | 532 11 04-22 | Spring, Brake                    | 30      | 810 04 04-00 | Washer, Lock Hvy.<br>Helical Spring 1/4 |
| 10      | 532 05 91-92 | Cap, Valve                       | 31      | 819 09 12-10 | Washer 9/32 x 3/4 x 10 Ga.              |
| 11      | 532 06 51-39 | Stem, Valve                      | 32      | 532 10 69-33 | Knob, Shift Control                     |
| 12      | 532 00 81-34 | Tube                             | 33      | 532 12 82-15 | Shift Rod                               |
| 13      | 532 12 34-11 | Tire, Rear                       | 34      | 532 12 46-00 | Support, Handle Shift L.H.              |
| 14      | 532 12 17-49 | Washer 25/32 x 1-1/4 x 16 Ga.    | 35      | 873 51 05-00 | Nut, Keps 5/16-18                       |
| 15      | 532 12 17-48 | Washer, 25/32 x 1-5/8 x 16 Ga.   | 36      | 532 12 80-85 | Extension, Spring                       |
| 16      | 812 00 00-01 | E-Ring                           | 37      | 532 10 57-01 | Washer, Shift Plate                     |
| 17      | 532 10 47-57 | Hub, Cap                         | 38      | 532 12 35-39 | Arm, Shift                              |
| 18      | 532 12 48-05 | Rim                              | 39      | 873 81 05-00 | Nut, Hex Nylon 5/16-24                  |
| 19      | 532 12 34-09 | Spacer                           |         |              |   |
| 20      | 532 12 35-83 | Key, Square                      |         |              |   |
| 21      | 874 76 05-40 | Bolt, Fin, Hex 5/16-18 x 2-1/2   |         |              |   |

HARDWARE SHOWN LARGER FOR EASIER IDENTIFICATION

# ILLUSTRATED PARTS BREAKDOWN

## MOWER LIFT LEVER



**KEY PART DESCRIPTION NO. NO.**

**DESCRIPTION**

**KEY PART**

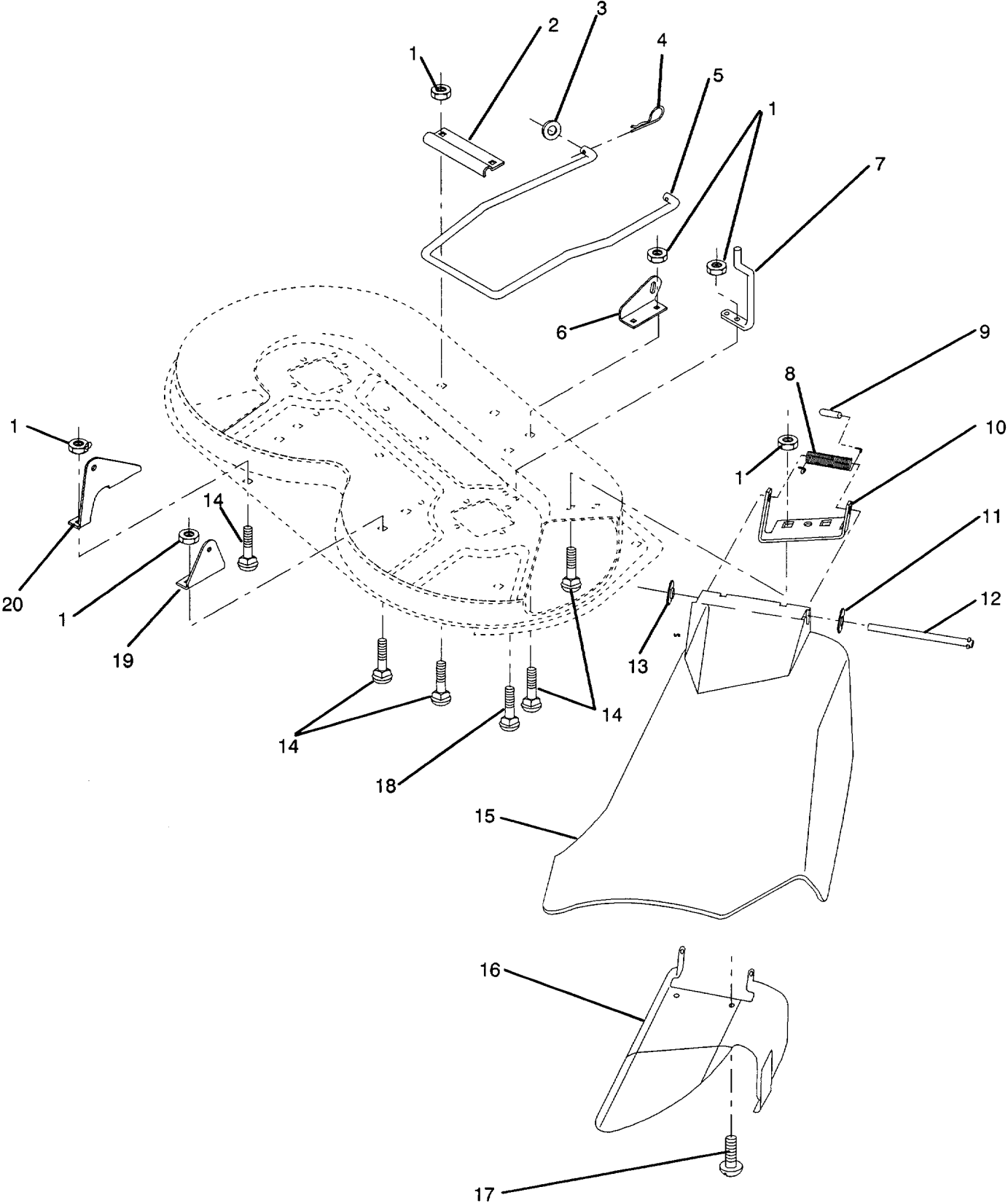
**NO. NO.**

|    |              |                                |    |              |                              |
|----|--------------|--------------------------------|----|--------------|------------------------------|
| 1  | 532 12 64-70 | Clip, Insulated                | 16 | 532 00 49-21 | Retainer, Spring             |
| 2  | 532 12 20-18 | Bracket, Mower Clutch          | 17 | 532 12 36-54 | Link, Front Lift             |
| 3  | 874 78 04-08 | Bolt, Fin. Hex                 | 18 | 532 00 70-78 | Trunnion, Threaded 3/8-16    |
|    |              | 1/4-20 Unc x 1/2 Gr. 5         | 19 | 873 35 06-00 | Nut, Hex Jam 3/8 x16 UNC     |
| 4  | 873 68 06-00 | Nut, Crownlock 3/8-16 UNC      | 20 | 874 76 06-44 | Bolt, Fin. Hex               |
| 5  | 532 12 34-17 | Assembly, Clutch Lever         |    |              | 3/8-16 UNC x 2-3/4           |
| 6  | 532 10 64-51 | Bolt, Shoulder                 | 21 | 817 49 05-08 | Screw, HexThdrol.5/16-18x1/2 |
| 7  | 532 12 34-91 | Assembly, Mower Clutch Arm     | 22 | 532 12 19-29 | Bracket, Mower Height        |
| 8  | 874 76 06-36 | Bolt, Hex 3/8-16 UNC x 2-1/4   | 23 | 876 02 04-16 | Pin, Cotter 1/8 x 1          |
| 9  | 532 12 19-30 | Assembly, Bellcrank Lift       | 24 | 819 17 16-16 | Washer 17/32 x 1 x 16 Ga.    |
| 10 | 876 02 04-12 | Pin, Cotter 1/8 x 3/4          | 25 | 532 12 19-33 | Tube, Spacer                 |
| 11 | 819 13 13-16 | Washer, 13/32 x 13/16 x 16 Ga. | 26 | 532 12 19-34 | Rod, Mower Lift              |
| 12 | 532 12 20-27 | Grip, Handle                   | 27 | 532 10 69-32 | Knob                         |
| 13 | 532 12 70-28 | Assembly, Lift Handle          | 28 | 876 02 03-12 | Pin, Cotter 3/32 x 3/4       |
| 14 | 532 12 34-96 | Spring, Compression            | 29 | 532 12 36-71 | Link, Mower Clutch           |
| 15 | 819 13 12-12 | Washer, 13/32 x 3/4 x 12 Ga.   | 30 | 873 68 04-00 | Nut, Crownlock 1/4-20        |

HARDWARE SHOWN LARGER FOR EASIER IDENTIFICATION

# ILLUSTRATED PARTS BREAKDOWN

## MOWER DECK



# ILLUSTRATED PARTS BREAKDOWN

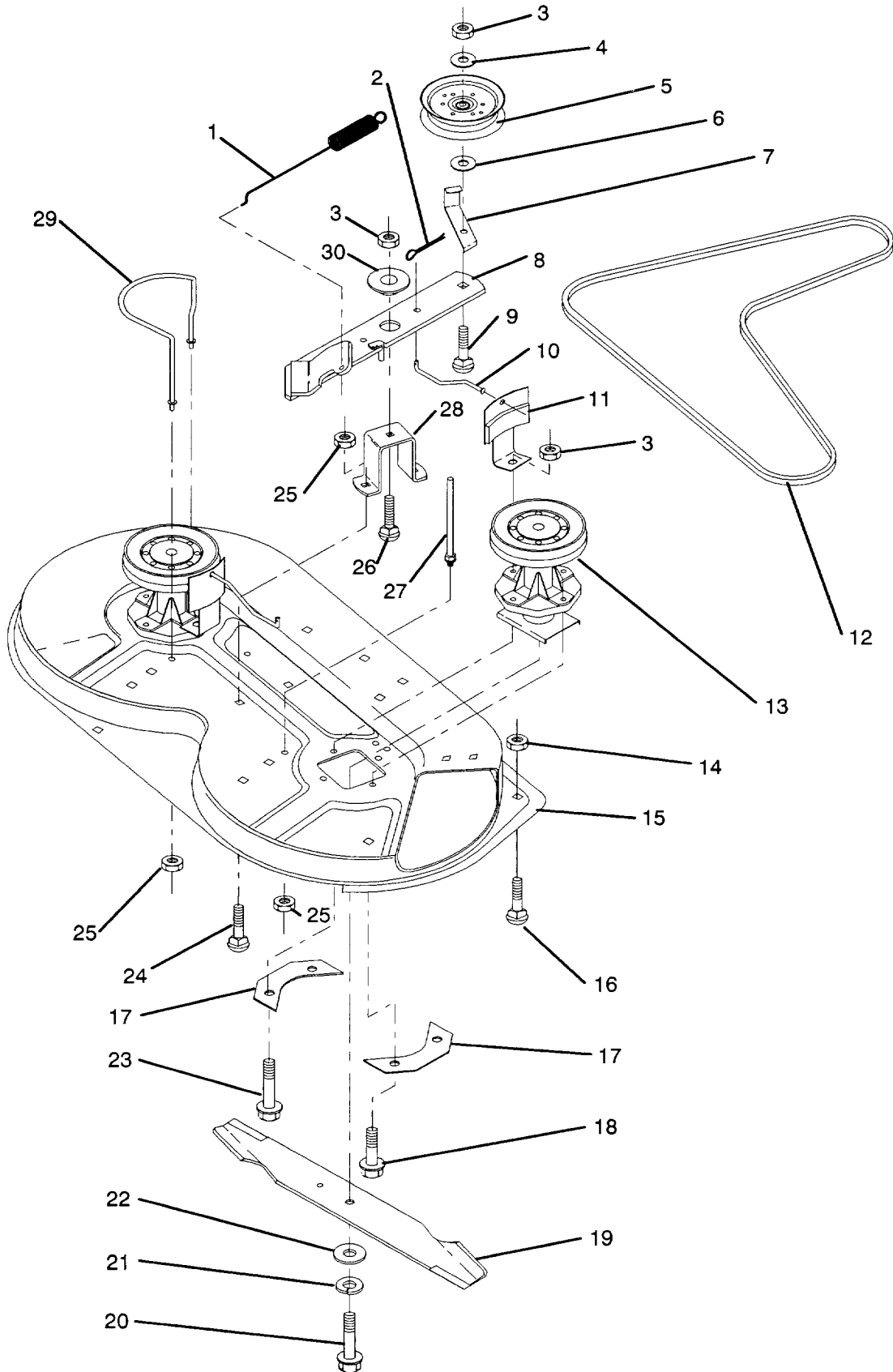
## MOWER DECK

| KEY NO. | PART NO.     | DESCRIPTION                             | KEY NO. | PART NO.     | DESCRIPTION   |
|---------|--------------|---|---------|--------------|---|
| 1       | 873 68 05-00 | NutCrownlock5/16-18                     | 15      | 532 12 63-70 | Guard, Discharge                                      |
| 2       | 532 12 20-47 | Bracket, Stabilizer Link                | 16      | 532 12 56-29 | Assembly, Deflector Support                           |
| 3       | 819 17 17-13 | Washer 17/32 x 1 1116 x 13 Ga.          | 17      | 817 05 10-07 | Screw, Pan Hd. PLT-30                                 |
| 4       | 532 12 46-60 | Clip, Hairpin                           | 18      | 874 76 05-12 | Bolt, Hex Head<br>5/16-18UNCx3/4                      |
| 5       | 532 12 46-36 | Stabilizer, Mower Link                  | 19      | 532 12 20-43 | Bracket, R.H. Rear Lift                               |
| 6       | 532 12 20-45 | Bracket, R.H. Front Lift                | 20      | 532 12 20-44 | Bracket, L.H. Rear Lift                               |
| 7       | 532 12 36-61 | Guide, Front Mandrel R.H. Mower<br>Belt | -       | 532 12 61-95 | Decal, Caution (Swedish/Danish/<br>Norwegian/Finnish) |
| 8       | 532 12 37-13 | Spring Torsion                          | -       | 532 10 58-14 | Decal, Belt Installation                              |
| 9       | 532 10 53-04 | Cap, Sleeve                             | -       | 532 12 61-91 | Decal, Warning (Swedish/Danish/<br>Norwegian/Finnish) |
| 10      | 532 12 63-61 | Bracket, Deflector                      | -       | 532 12 61-93 | Decal, Warning (Swedish/Danish/<br>Norwegian/Finnish) |
| 11      | 819 11 10-16 | Washer 11/32 x 5/8 x 16 Ga.             |         |              |   |
| 12      | 532 12 19-80 | Rod, Hinge                              |         |              |   |
| 13      | 532 11 04-52 | Pushnut                                 |         |              |   |
| 14      | 872 14 05-05 | Bolt, Carriage 5/16-18 UNC x 5/8        |         |              |   |

HARDWARE SHOWN LARGER FOR EASIER IDENTIFICATION

# ILLUSTRATED PARTS BREAKDOWN

## MOWER DECK





# ILLUSTRATED PARTS BREAKDOWN

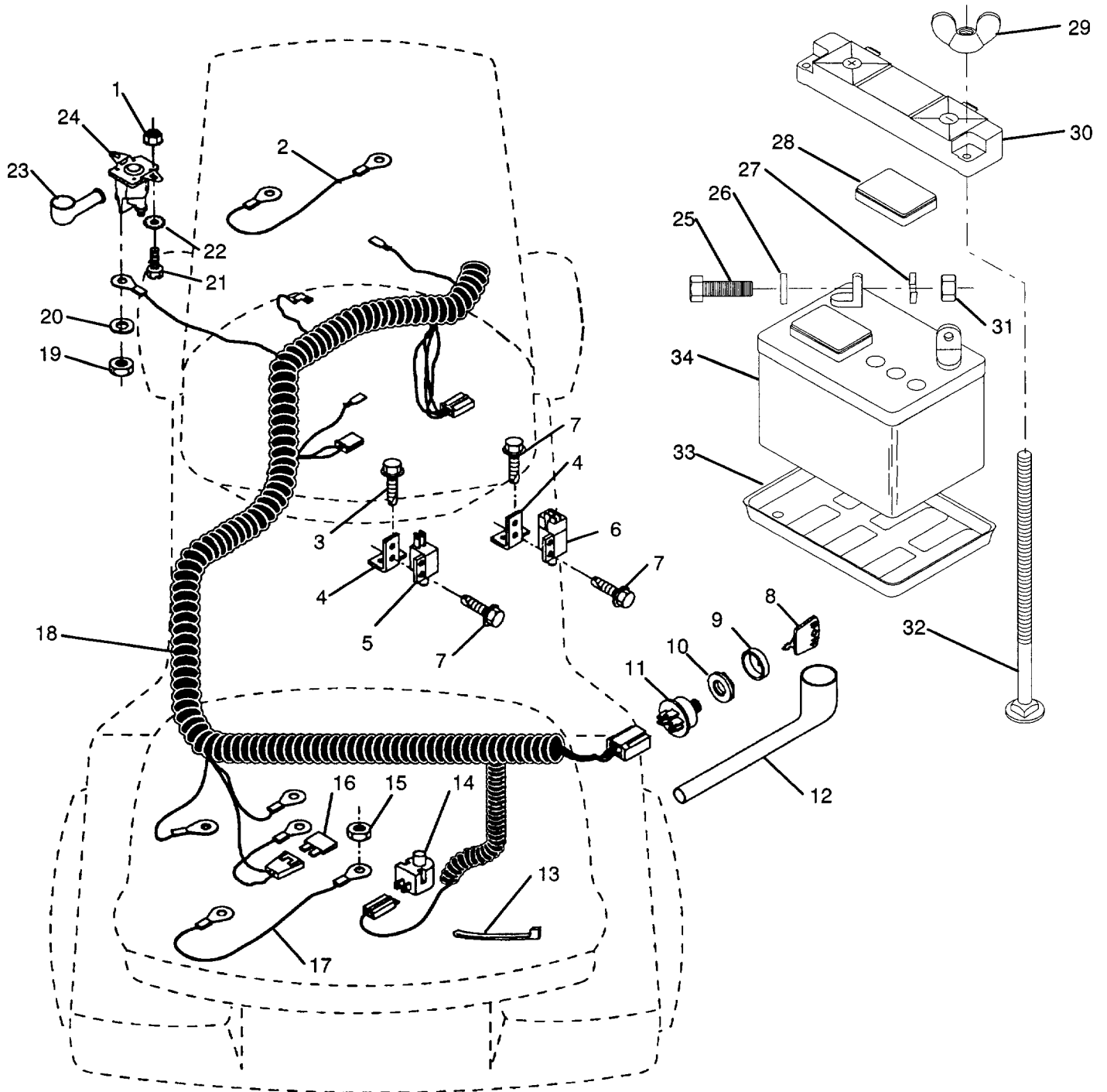
## MOWER DECK

| KEY NO. | PART NO.     | DESCRIPTION                   | KEY NO. | PART NO.     | DESCRIPTION                              |
|---------|--------------|-------------------------------|---------|--------------|--|
| 1       | 532 12 20-28 | Spring, Mower Clutch          | 18      | 817 49 06-14 | Screw Hex Thdrol. 3/8-16 x 7/8           |
| 2       | 876 02 03-12 | Pin, Cotter 3/32 x 3/4        | 19      | 532 12 22-60 | Blade, Low Lift                          |
| 3       | 873 68 06-00 | Nut, Crownlock 3/8-16 UNC     | 20      | 874 61 06-24 | Bolt Fin. Hex 3/8-24 UNF x 1 -1 i2 Gr. 5 |
| 4       | 819 13 14-12 | Washer 13/32 x 7/8 x 12 Ga.   | 21      | 810 03 06-00 | Washer, Lock Hvy.3/8                     |
| 5       | 532 12 13-16 | Idler, Flat                   | 22      | 819 13 20-12 | Washer 13/32 x 1 1/4 x 12 Ga.            |
| 6       | 819 13 22-03 | Washer 13/32 x 1 -3/8 x 3 Ga. | 23      | 817 49 06-20 | Screw Hex Thdrol. 3/8-16 x 1-1/4         |
| 7       | 532 12 67-56 | Guide, Belt                   | 24      | 872 14 05-05 | Bolt, Carriage 5/16--i 8 UNC x 5/8       |
| 8       | 532 12 37-02 | Assembly, Mower Idler Arm     | 25      | 873 68 05-00 | Nut, Crowlock 5/ i 6-18                  |
| 9       | 872 11 06-18 | Bolt Carriage 3/8-16 x 2 1/4  | 26      | 872 11 06-08 | Bolt, Carriage 3/8-16 UNC x 1 Gr. 5      |
| 10      | 532 12 20-49 | Rod, Brake                    | 27      | 532 12 34-39 | Guide, R.H. Rear Belt                    |
| 11      | 532 10 65-78 | Assembly, Brake               | 28      | 532 12 20-51 | Support, Idler Arm                       |
| 12      | 532 12 42-93 | V-Belt                        | 29      | 532 12 36-73 | Guide, L.H. Belt                         |
| 13      | 532 12 42-08 | Assembly, Mandrel             | 30      | 532 12 20-52 | Spacer, Retainer                         |
| 14      | 873 68 04-00 | Nut, Crownlock 1/4-20         |         |              |  |
| 15      | 532 12 64-10 | Housing, Mower36"             |         |              |  |
| 16      | 872 14 04-04 | Bolt, Carriage 1/4-20x 1/2    |         |              |  |
| 17      | 532 10 06-68 | Support, Plate Jackshaft      |         |              |  |

HARDWARE SHOWN LARGER FOR EASIER IDENTIFICATION

# ILLUSTRATED PARTS BREAKDOWN

## ELECTRICAL



# ILLUSTRATED PARTS BREAKDOWN

## ELECTRICAL

| KEY NO. | PART NO.     | DESCRIPTION                         | KEY NO. | PART NO.     | DESCRIPTION  |
|---------|--------------|-------------------------------------|---------|--------------|--|
| 1       | 873 51 04-00 | NutHexKeps1/4-20                    | 22      | 811 05 04-00 | Washer,LockExt.Tooth1/4                                |
| 2       | 532 10 50-02 | Assembly, Cable                     | 23      | 532 12 47-83 | Cover, Terminal  |
| 3       | 817 21 10-08 | Screw, Hex Wsh. Tap<br>#10-16x1/2   | 24      | 532 10 90-81 | Solenoid   |
| 4       | 532 10 82-36 | Bracket, Switch                     | 25      | 874 76 04-12 | Bolt, Hex Hd. 1/4-20UNCx3/4                            |
| 5       | 532 10 44-45 | Switch, Interlock                   | 26      | 819 09 10-16 | Washer 9/32 x 5/8 x 16 Ga.                             |
| 6       | 532 10 95-53 | Switch, Interlock                   | 27      | 810 04 04-00 | Washer, Lock   |
| 7       | 817 02 10-08 | Screw, Tap Hex Hd.<br># 10-24 x 1/2 | 28      | 532 12 13-00 | Hvy. Helical Spring 1/4                                |
| 8       | 532 12 21-47 | Key, Molded                         | 29      | 532 12 31-98 | Cap, Battery   |
| 9       | 532 12 36-20 | Cover, Key Ignition                 | 30      | 532 10 24-76 | Nut, Plastic, Locking Wing 1 /4-20                     |
| 10      | 532 12 42-11 | Nut, Ignition                       | 31      | 873 22 04-00 | Guard, Terminal  |
| 11      | 532 12 51-04 | Switch, Ignition                    | 32      | 872 24 04-60 | Nut, Fin. Hex 1/4-20 UNC                               |
| 12      | 532 12 40-83 | Cover, Ignition Switch              | 33      | 532 12 48-86 | Bolt, Carriage   |
| 13      | 532 12 47-56 | Tie, Cable                          | 34      | 532 12 13-10 | 1/4-20UNCx7-1/2  |
| 14      | 532 12 13-05 | Switch, Plunger                     | -       | 532 12 75-05 | Tray, Battery  |
| 15      | 873 51 05-00 | Keps, Nut 5/16-18                   | -       | MS-9811      | Battery  |
| 16      | 532 10 88-24 | Fuse                                | -       | 532 10 15-39 | Manual, Operators                                      |
| 17      | 532 00 05-96 | Assembly, Cable                     | -       | 532 10 15-72 | Briggs & Stratton, Operating and<br>Maintenance Manual |
| 18      | 532 12 37-03 | Harness, Ignition                   | -       |              | Sheet, Instruction Tractor 15°                         |
| 19      | 873 35 04-00 | Nut, Hex Jam 1 /4-20                | -       |              | Slope (English)  |
| 20      | 810 09 04-00 | Washer, Lock 1/4                    |         |              | Sheet, Instruction Tractor 15°                         |
| 21      | 874 78 04-08 | Bolt Fin. Hex<br>1/4-20UNCx1/2 Gr.5 |         |              | Slope (French)   |

HARDWARE SHOWN LARGER FOR EASIER IDENTIFICATION