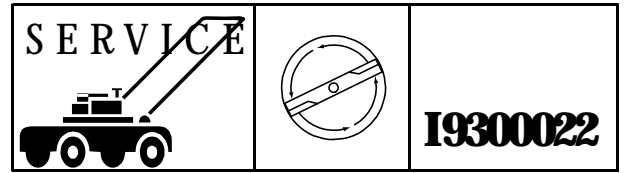


**Jonsered**



IPL, LR12.5 38" , 1993-01

# LR12.5 38"

**Spare parts**

**Ersatzteile**

**Pièces détachées**

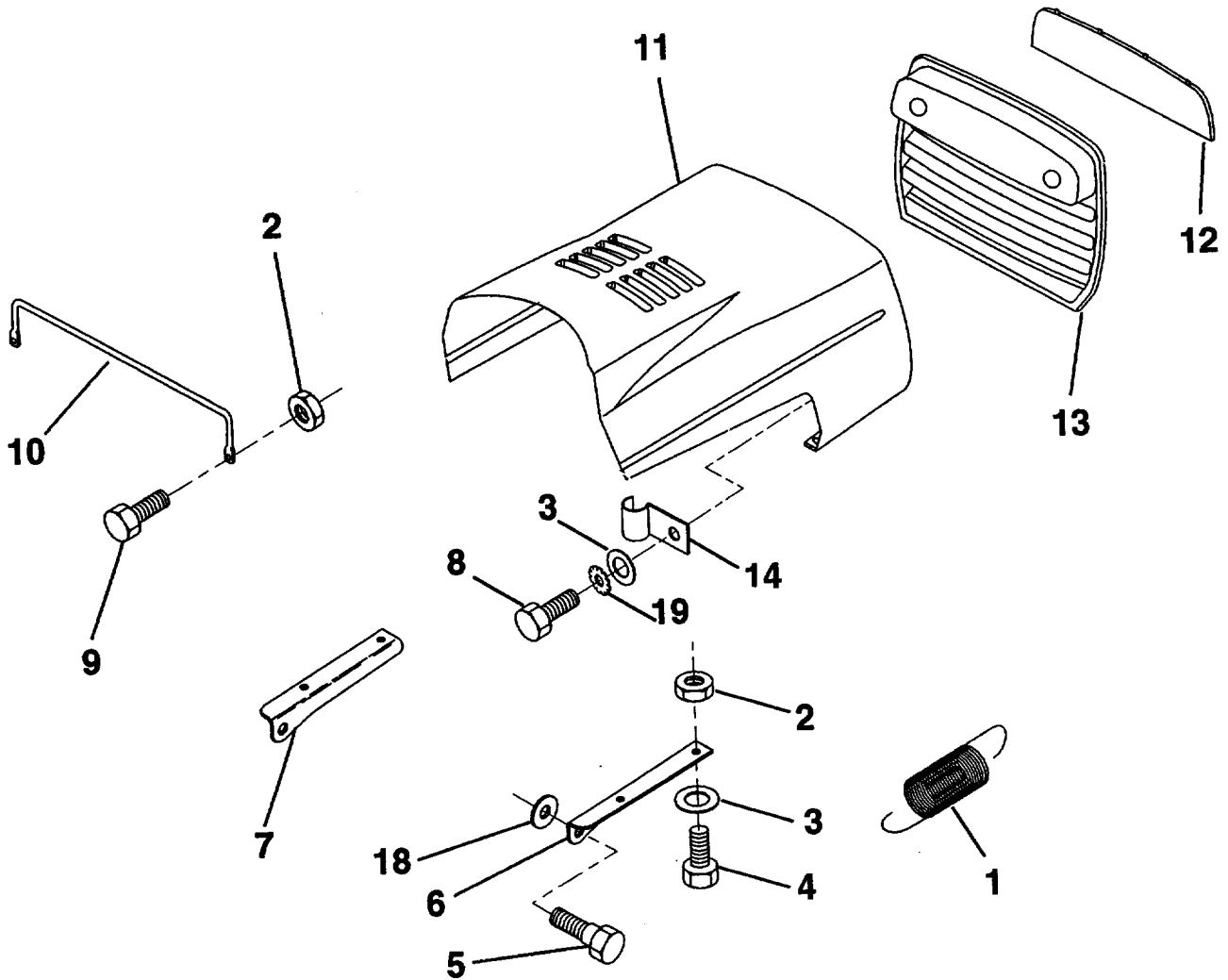
**Reserve onderdelen**

**Repuestos**

**Reservdelar**

# REPAIR PARTS

## HOOD



### KEY PART

NO.	NO.	DESCRIPTION
1	532 12 46-57	Spring, Extension
2	873 68 04-00	Not, Hex, Keps 1/4-20
3	734 11 53-01	Washer 9/32x5/8 x16 Ga
4	874 78 04-10	Bolt, Hex Head, Fin. 1/4-20 UNC x 5/8 Grade 5
5	532 12 66-75	Bolt, Shoulder
6	532 12 25-49	Bracket, Hood, RH
7	532 12 25-48	Bracket, Hood, LH
8	817 41 13-10	Screw, Hex Head, Fin #13-16 Hi-Lo x 5/8

### KEY PART

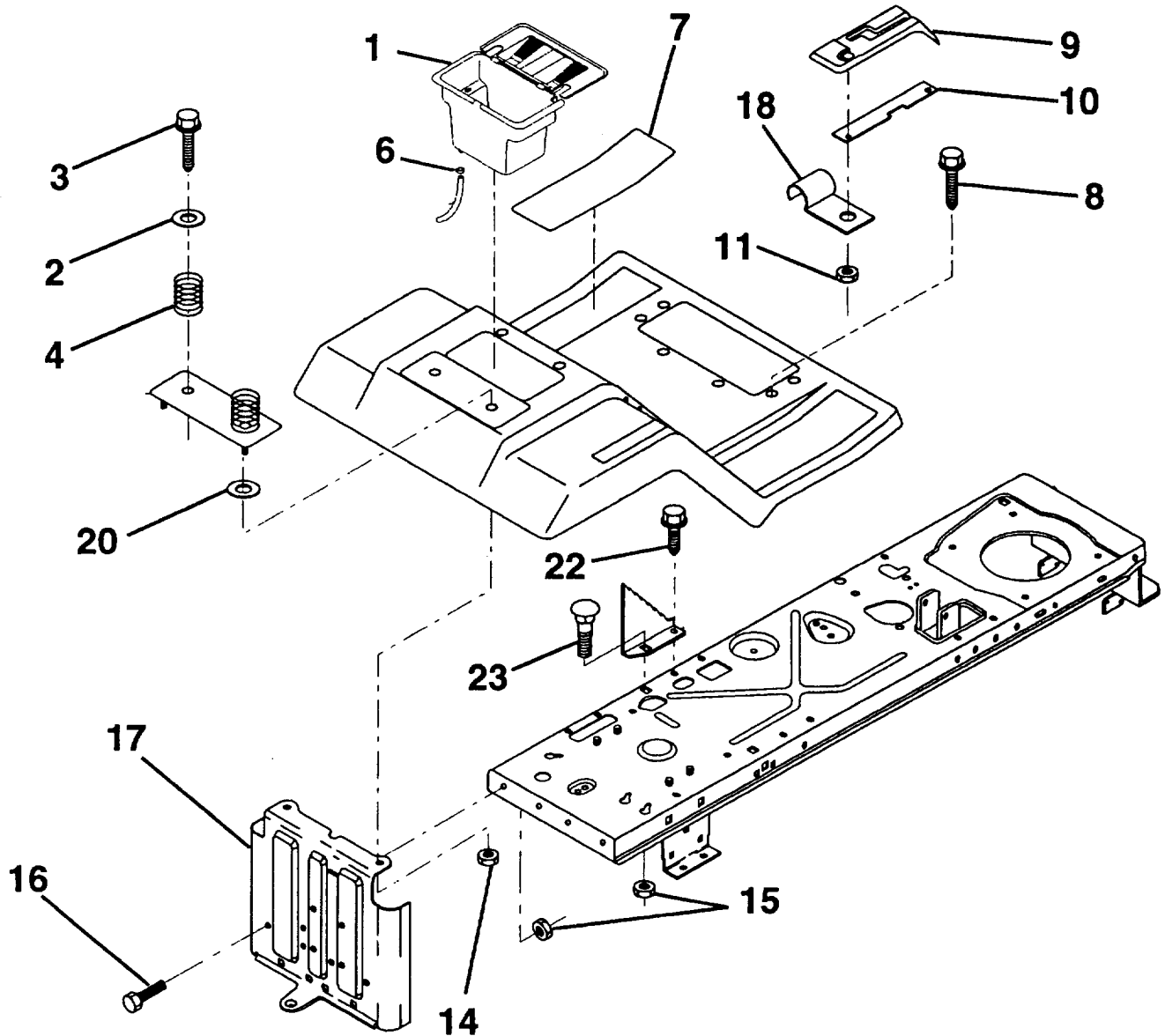
NO.	NO.	DESCRIPTION
9	874 76 04-12	Bolt, Hex Head, Fin 1/4-20 x 3/4 Grade 5
10	532 12 36-93	Brace, Hood
11	532 12 54-29	Hood
12	532 12 20-35	Lens, Headlight, Bar Clear
13	532 12 70-29	Grill
18	734 11 63-01	Washer 11/32x11/16x16Ga
19	810 04 04-00	Washer, Lock InVExt Tooth

**NOTE:** All component dimensions given in U.S. inches.  
1 inch = 25,4 mm

**HARDWARE SHOWN LARGER FOR EASIER IDENTIFICATION**

# REPAIR PARTS

## FENDER / CHASSIS



### KEY PART

NO.	NO.	DESCRIPTION
1	532 12 99-65	Case, Battery
2	734 11 74-41	Washer 13/32 x 1 -1/4 x 12 Gauge
3	874 78 06-12	Screw, Hex Washer Head, Thd., Roll. 3/8-16 x 3/4
4	532 12 41-81	Spring, Compression, Seat
6	532 10 95-96	Clamp, Hose
7	532 12 41-44	Pad, Footrest
8	874 78 05-12	Screw, Hex Washer Head, Thd., Roll. 5/16-18 x 3/4
9	532 12 69-95	Console, Shift Control
10	532 12 43-07	Bar, Shift Lock
11	532 12 43-46	Nut, Self-Threading, Washer Head 3/16

### KEY PART

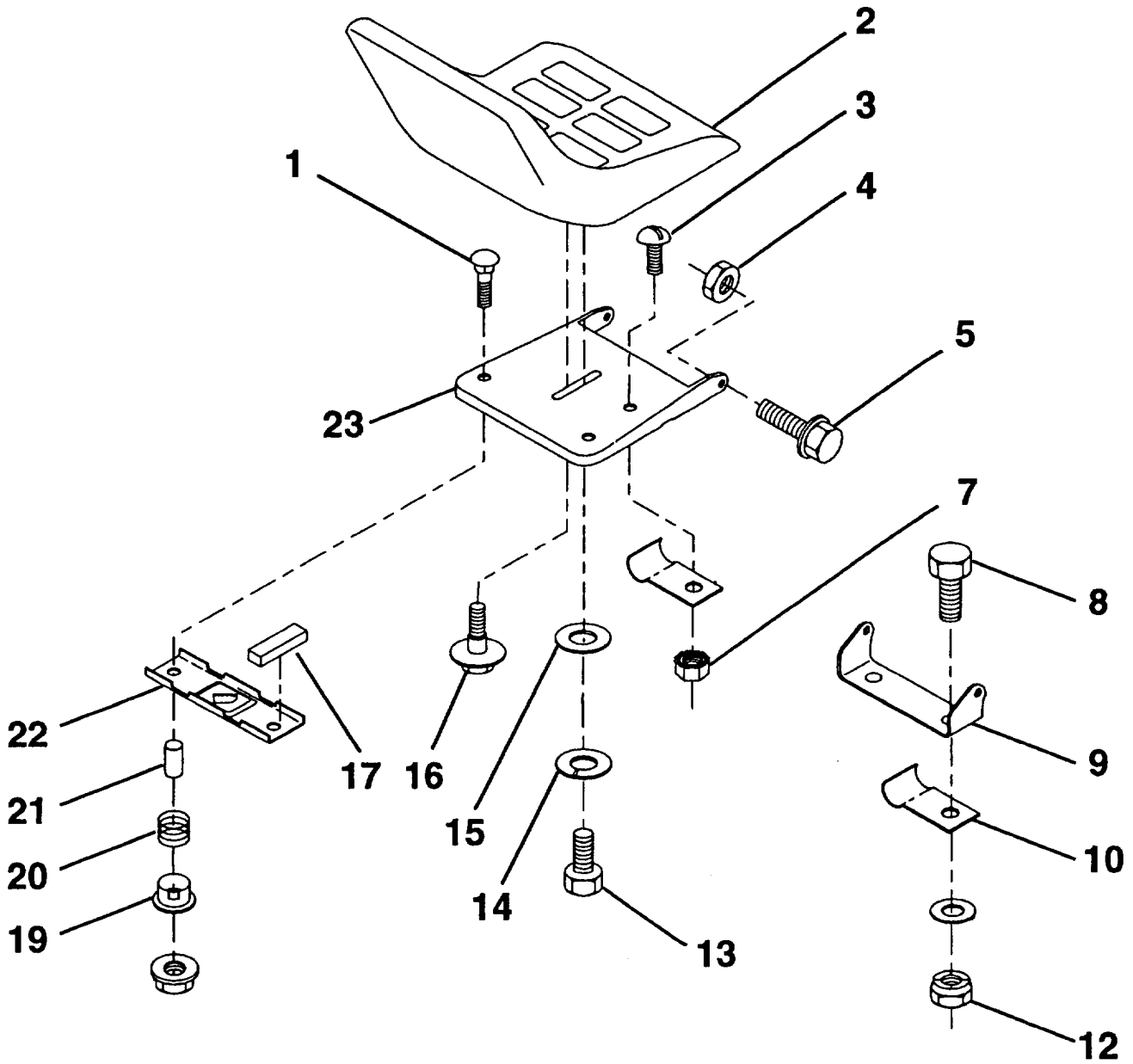
NO.	NO.	DESCRIPTION
14	873 68 04-00	Nut, Hex, Keps 1/4-20
15	873 68 05-00	Nut, Crownlock 5/16-18
16	874 78 05-12	Bolt, Hex Head 5/16-18 UNC x 3/4
17	532 12 78-80	Drawbar
18	532 12 64-70	Clip, Insulated
20	819 09 14-16	Washer 9/32 x 7/8 x 13 Gauge
22	817 49 05-08	Screw, Thd., Roll. 5/16-18 x 1/2
23	872 11 05-06	Bolt, Carriage 5/16-18 x 3/4

**NOTE:** All component dimensions given in U.S. inches.  
1 inch = 25,4 mm

**HARDWARE SHOWN LARGER FOR EASIER IDENTIFICATION**

# REPAIR PARTS

## SEAT



KEY NO.	PART NO.	DESCRIPTION
1	872 05 04-11	Bolt, Carriage 1/4-20x 1-3/8
2	532 12 74-23	Seat
3	874 64 10-08	Screw, Slotted Pan Head #10-32 x 1/2
4	873 68 05-00	Nut, Crownlock5/16-18
5	532 10 55-29	Bolt, Shoulder5/16-18 UNC
7	873 16 10-00	Nut, Hex Keps #10-32 UN F
8	874 78 06-00	Bolt, Hex Fin 3/8-16 UNC x 3/4
9	532 12 66-56	Bracket, Pivot Seat
10	532 12 64-71	Clip, Insulated
12	873 68 06-00	Nut, Crownlock3/8-16 UNC

KEY NO.	PART NO.	DESCRIPTION
13	874 78 08-14	Bolt, Hex Head, Fin. 1/2-13 UNC x 7/8 Grade 5
14	810 04 08-00	Washer, Lock Heavy Helical Spring
15	819 17 19-12	Washer 17/32 x 1-3/16 x 12 Gauge
16	532 12 70-18	Bolt, Shoulder
17	532 12 12-51	Strip, Foam
19	532 12 12-48	Bushing, Snap
20	532 12 12-50	Spring, Compression
21	532 12 12-49	Spacer, Split. Large .28 Id. x .88
22	532 12 12-46	Bracket, Switch, Mounting
23	532 13 14-51	Pan, Seat

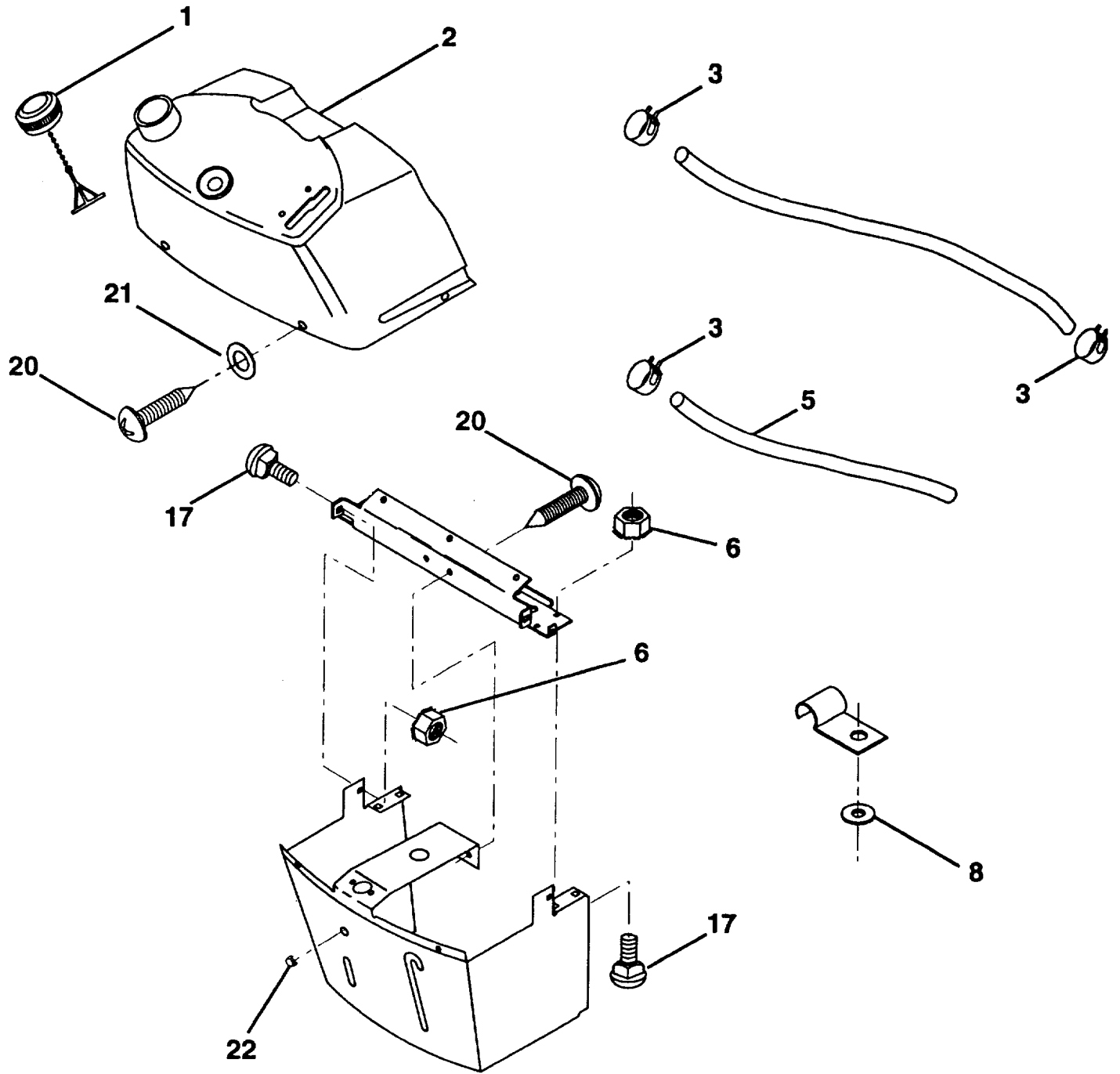
**NOTE:** All component dimensions given in U.S. inches.

1 inch = 25,4 mm

**HARDWARE SHOWN LARG ER FOR EASIER IDENTI FICATION**

# REPAIR PARTS

DASH



## KEY PART

NO.	NO.	DESCRIPTION
1	532 12 20-15	Cap, Fuel
2	532 13 83-92	Dash and Fuel Tank Assembly
3	532 12 34-87	Clamp, Hose
5	532 00 85-48	Line, Fuel
6	873 68 04-00	Nut, Hex, Keps 1/4-20
8	734 11 54-41	Washer 9/32 x 3/4 x 16 Gauge

## KEY PART

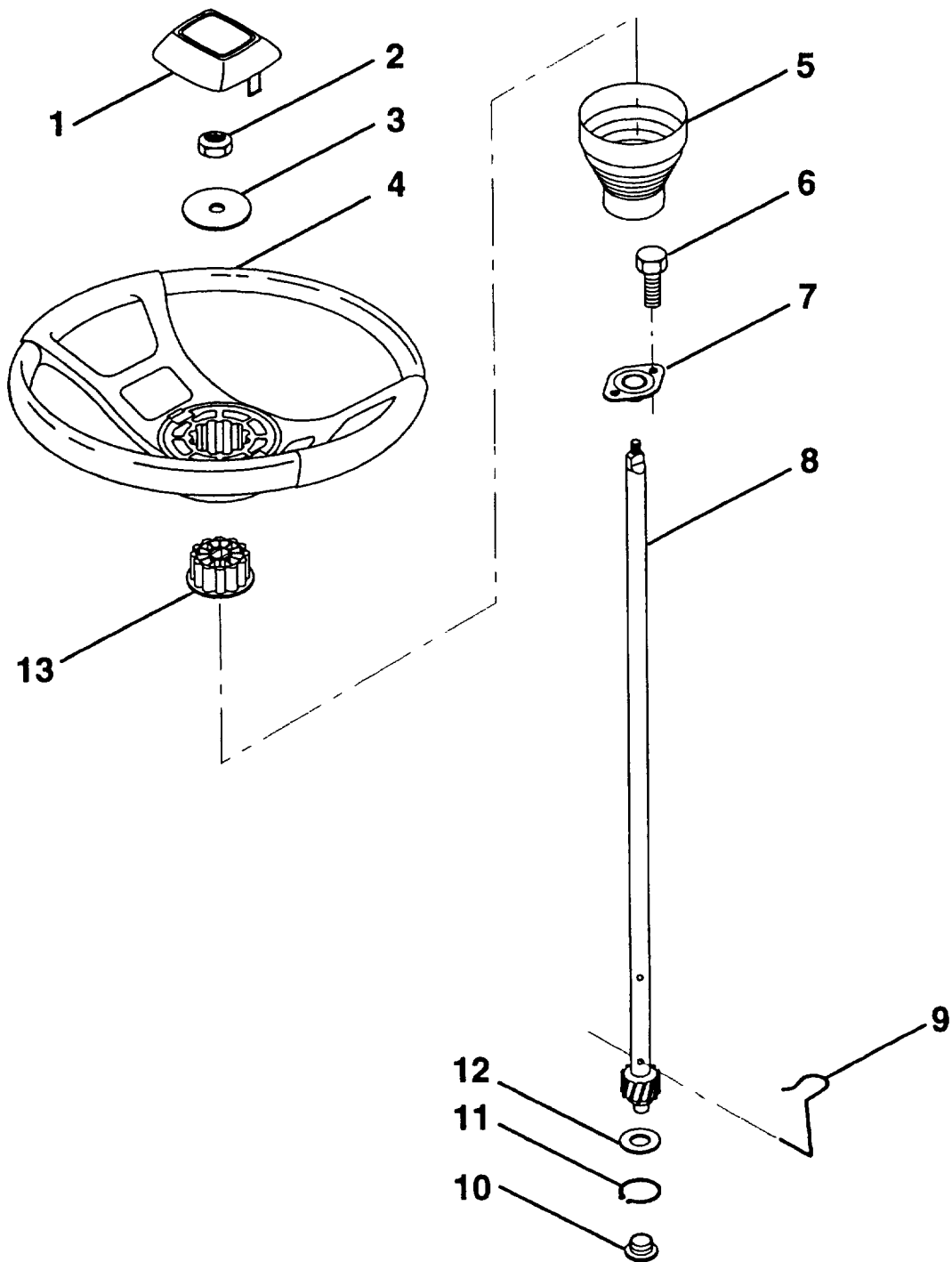
NO.	NO.	DESCRIPTION
17	872 11 04-04	Bolt, Carriage 1/4-20 x 1/2 Grade 5
20	818 00 04-08	Screw, Self-Tapping 1/4-20 x 1/2
21	734 11 53-01	Washer 9/32 x 1/2 x 16 Gauge
22	532 13 40-14	Plug

**NOTE:** All component dimensions given in U.S. inches.  
1 inch = 25,4 mm

**HARDWARE SHOWN LARGER FOR EASIER IDENTIFICATION**

# REPAIR PARTS

## STEERING WHEEL



### KEY PART

NO.	NO.	DESCRIPTION
1	532 13 37-42	Insert, Steering Wheel
2	873 61 06-00	Loknut 3/8-24 UNF
3	819 13 38-08	Washer 12/32 x 2-3/8 x 8 Gauge
4	532 13 37-41	Steering Wheel
5	532 12 18-97	Sleeve, Steering
6	817 21 10-08	Screw, Hex #10-16 x 1/2 TY-B
7	532 10 28-03	Bushing, Steering

### KEY PART

NO.	NO	DESCRIPTION
8	532 12 36-51	Shaft, Steering
9	532 12 42-10	Cup, Steenng
10	532 12 34-38	Bushing, Lower, Steering
11	812 00 00-45	Ring, Retaining
12	734 11 85-71	Washer 21/32 x 1 x 16 Gauge
13	532 10 48-20	Adaptor, Steering Wheel

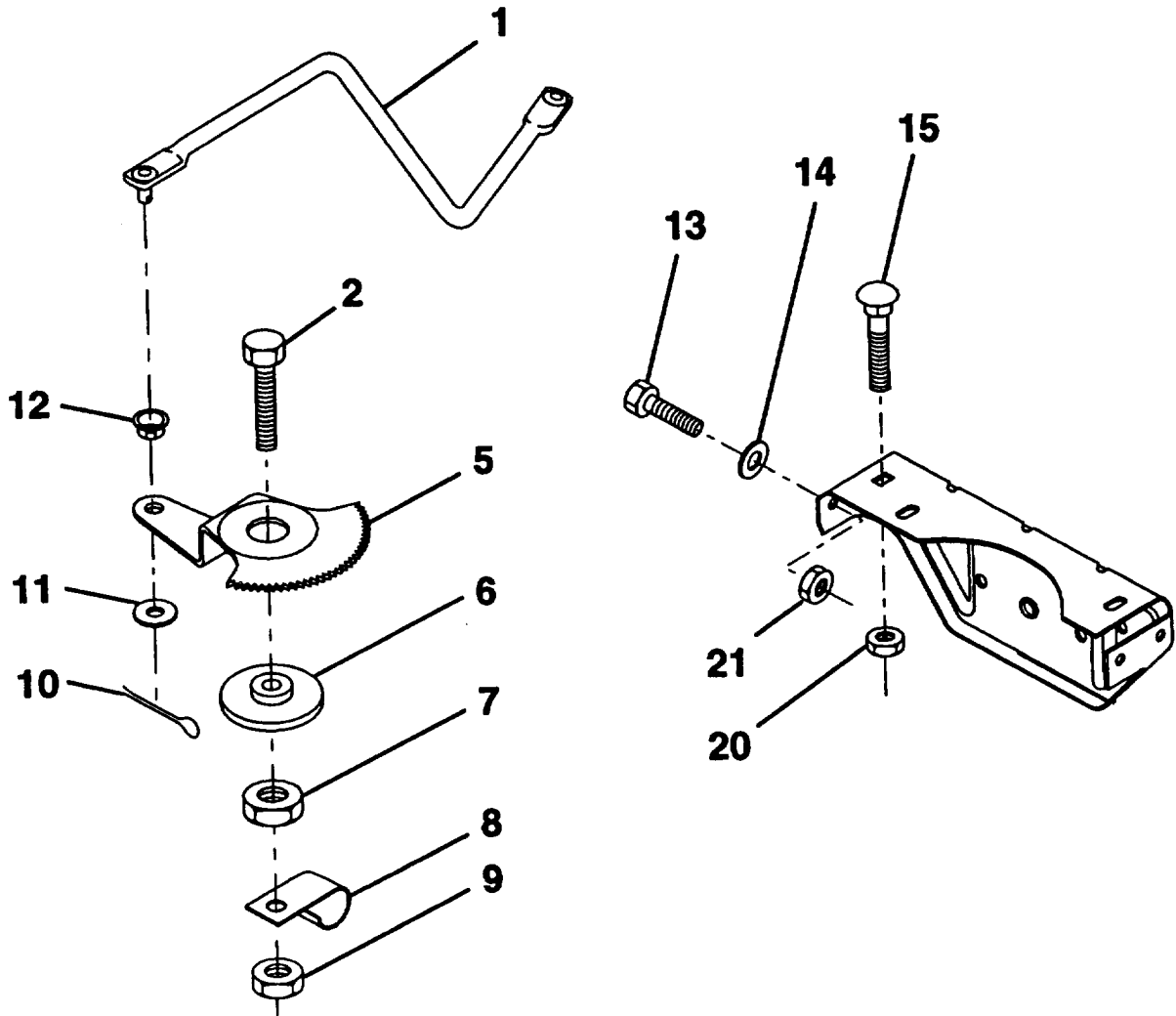
NOTE: All component dimensiones given in U.S. inches.

1 inch = 25,4 mm

**HARDWARE SHOWN LARGER FOR EASIER IDENTIFICATION**

# REPAIR PARTS

## SECTOR GEAR / AXLE SUPPORT



KEY NO.	PART NO.	DESCRIPTION
1	532 13 25-66	Link, Drag
2	874 78 08-28	Bolt, Hex Head, Fin. 1/2-13 x 1-3/4
5	532 12 19-26	Gear, Sector
6	532 12 19-27	Bushing
7	873 68 08-00	Nut, Hex, Heavy Top Lock 1/2-13 UNC
8	532 12 64-72	Clip, Insulated
9	873 68 08-00	Nut, Crownlock 3/8-16
10	876 02 04-12	Pin, Cotter 1/8 x 3/4
11	734 11 72-01	Washer 13/32 x 13116 x 16 Gauge

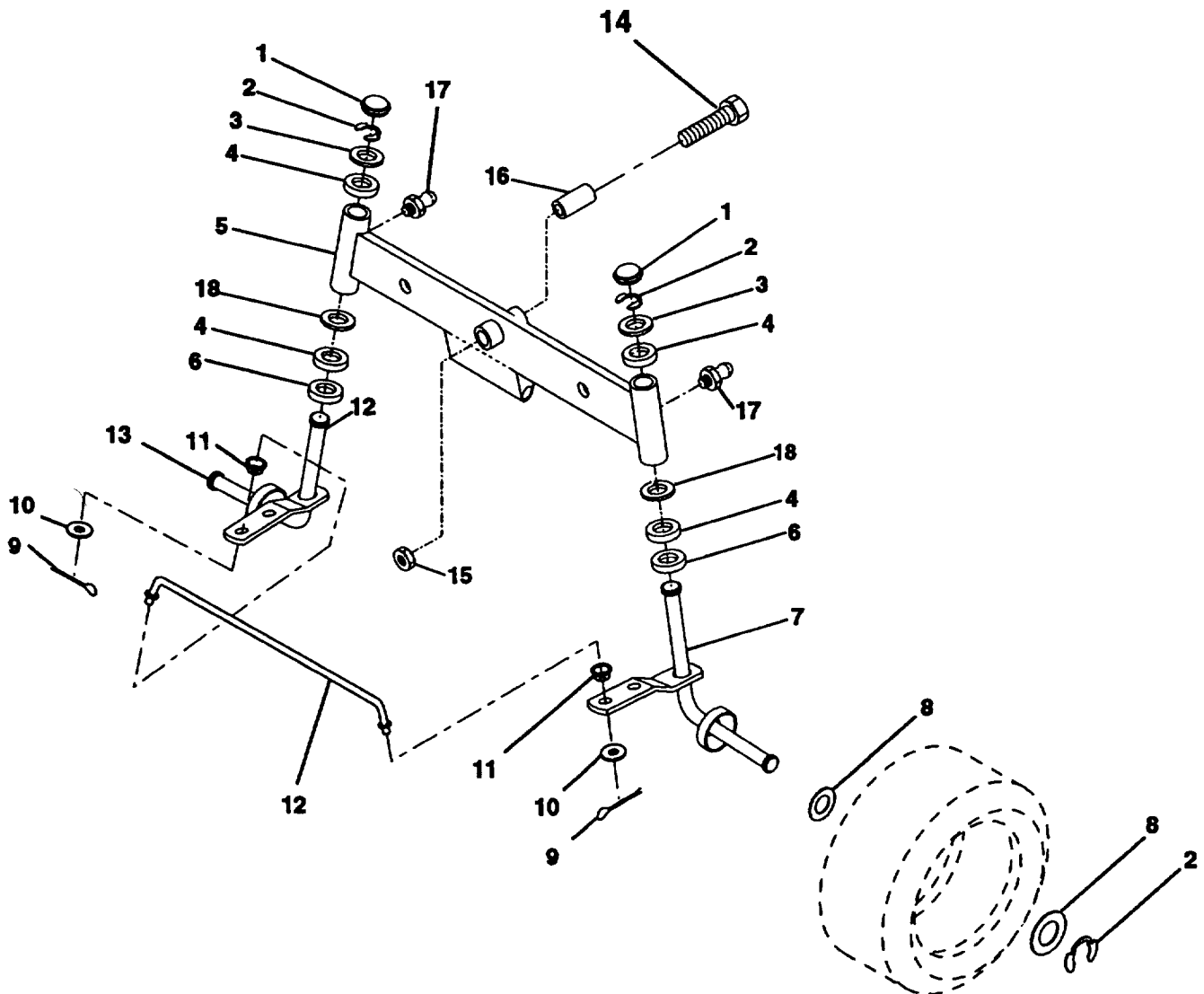
KEY NO.	PART NO.	DESCRIPTION
12	532 12 68-47	Bushing
13	874 78 05-12	Bolt, Hex Hd. 5/16-18 UNC x 3/4
14	734 11 65-41	Washer 11/32 x 7/8 x 16 Gauge
15	872 11 06-06	Bolt, Carriage 3/8-16 UNC x 3/4
20	873 68 06-00	Nut, Crownlock 3/8-16 UNC
21	873 68 05-00	Nut, Crownlock 5/16-18

**NOTE:** All component dimensions given in U.S. inches.  
1 inch = 25,4 mm

**HARDWARE SHOWN LARGER FOR EASIER IDENTIFICATION**

# REPAIR PARTS

## FRONT AXLE



### KEY PART NO. NO.

### DESCRIPTION

1	532 12 12-32	Cap, Spindle
2	812 00 00-29	Ring, Clip
3	532 12 17-48	Washer 25132 x 1-5/8 x 16 Gauge
4	532 12 49-37	Bearing Col Strg
5	532 13 39-88	Axle, Front
6	532 12 49-31	Bearing, Thrust
7	532 13 70-62	Spindle Assembly, RH
8	532 12 17-49	Washer 25132 x 1-11/4 x 16 Gauge
9	876 02 04-12	Pin, Cotter 118 x 314

### KEY PART NO. NO.

### DESCRIPTION

10	734 11 72-01	Washer 13132 x 1 3116 x 16 Gauge
11	532 12 68-47	Bushing
12	532 13 04-65	Rod, Tie
13	532 13 70-61	Spindle Assembly, LH
14	874 01 10-56	Bolt, Hex 5/8-11 x 3 1/2
15	873 68 10-00	Locknut, Plange 518-11
16	532 11 04-38	Spacer, Bearing
17	532 12 48-36	Fitting, Grease
18	819 27 20-16	Washer 27/32 x 1-1/4 x 16 Gauge

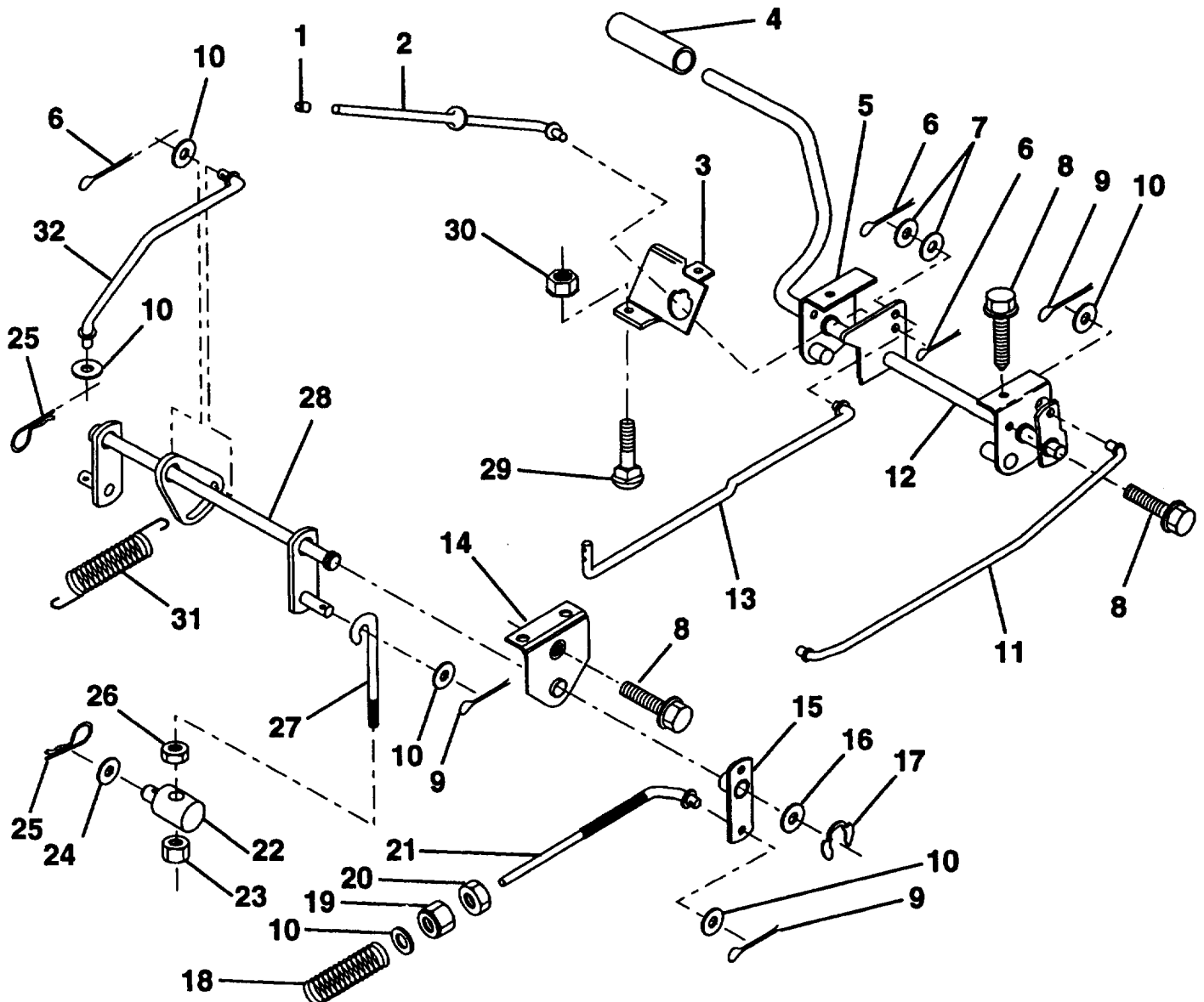
**NOTE:** All component dimensions given in U.S. inches.  
1 inch = 25,4 mm

**HARDWARE SHOWN LARGER FOR EASIER IDENTIFICATION**



# REPAIR PARTS

## BRAKE / REAR MOWER LIFT ASSEMBLY



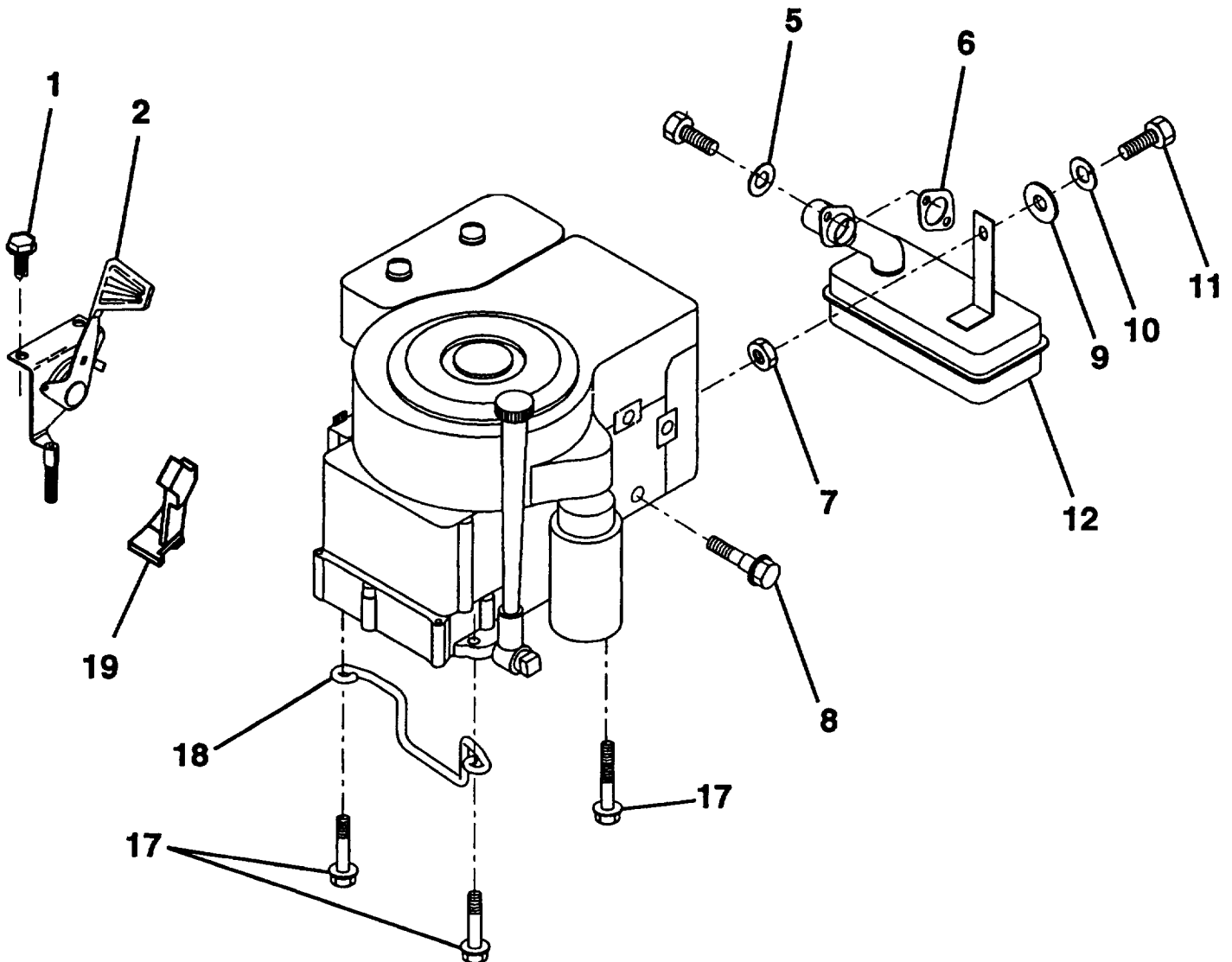
KEY NO.	PART NO.	DESCRIPTION	KEY NO.	PART NO.	DESCRIPTION
1	532 07 16-73	Cap, Plunger	18	532 10 68-88	Spring, Brake Rod
2	532 12 34-36	Rod, Parking Brake	19	873 22 06-00	Nut, Hex, Jam 3/8-16 UNC
3	532 12 34-37	Bracket, Parking Brake	20	873 68 06-00	Locknut, Hex, with Washer Insert 3/8-16 UNC
4	532 12 48-72	Cover, Pedal	21	532 13 14-60	Rod, Brake, Rear
5	532 13 22-05	Bracket, Clutch/brake Pedal LH	22	532 12 73-78	Trunnion, Lm
6	876 02 03-12	Pin, Cotter 3/32 x 3/4	23	873 68 06-00	Nut, Crownlock 3/8-16 UNC
7	734 11 71-71	Washer 13/32 x 5/8 x 5/8 x 16 Ga	24	734 11 74-41	Washer 13/32x1-1/4x12Ga
8	817 49 05-08	Screw, HexHead, Thd., Roll. 6/16-18 x 1/2	25	532 12 49-61	Spring, Retainer
9	876 02 04-12	Pin, Cotter 1/8 x 3/4	26	873 68 06-00	Nut, Centerlock 3/8-16 UNC
10	734 11 72-01	Washer 13/32 x 13/16 x 16 Ga	27	532 13 22-18	Link, Threaded
11	532 12 35-43	Rod, Brake, Front	28	532 13 22-21	Assembly, Rear Mower Lift
12	532 13 62-63	Assembly, Clutch/Brake Pedal	29	872 11 05-06	Bolt, Carriage 5/16-18UNCx4/4
13	532 12 33-94	Rod, Clutch	30	873 68 05-00	Nut, Hex, Keps 5/16-16 UNC
14	532 12 19-78	Bracket, Lift Shaft	31	532 13 30-95	Spring, Counterbalance
15	532 12 36-41	Assembly, Brake, Pivot, Arm	32	532 13 37-21	Link, Lift Lever
16	819 25 18-16	Washer 25/32 x 1-1/8 x 16 Ga			
17	812 00 00-34	Ring, Klip			

**NOTE:** All component dimensions given in U.S. inches.  
1 inch = 25,4 mm

**HARDWARE SHOWN LARGER FOR EASIER IDENTIFICATION**

# REPAIR PARTS

## ENGINE / TROTTLE



KEY NO.	PART NO.	DESCRIPTION
1	874 78 04-08	Screw, Hex Head, Thread Cutting 1/4-20 x 1/2
2	532 13 30-25	Control, Throttle
5	810 04 05-00	Washer, Lock, Heavy Helical Spring 5/6
6	532 12 55-93	Gasket, Exhaust
7	873 22 05-00	Nut, Hex, Fin. 5/6-18
8	532 12 10-94	Bolt, Shoulder 5/6
9	734 11 54-41	Washer, 5/16 x 3/4 x 16
10	810 04 04-00	Washer, Lock, Heavy Helical Spring 1/4

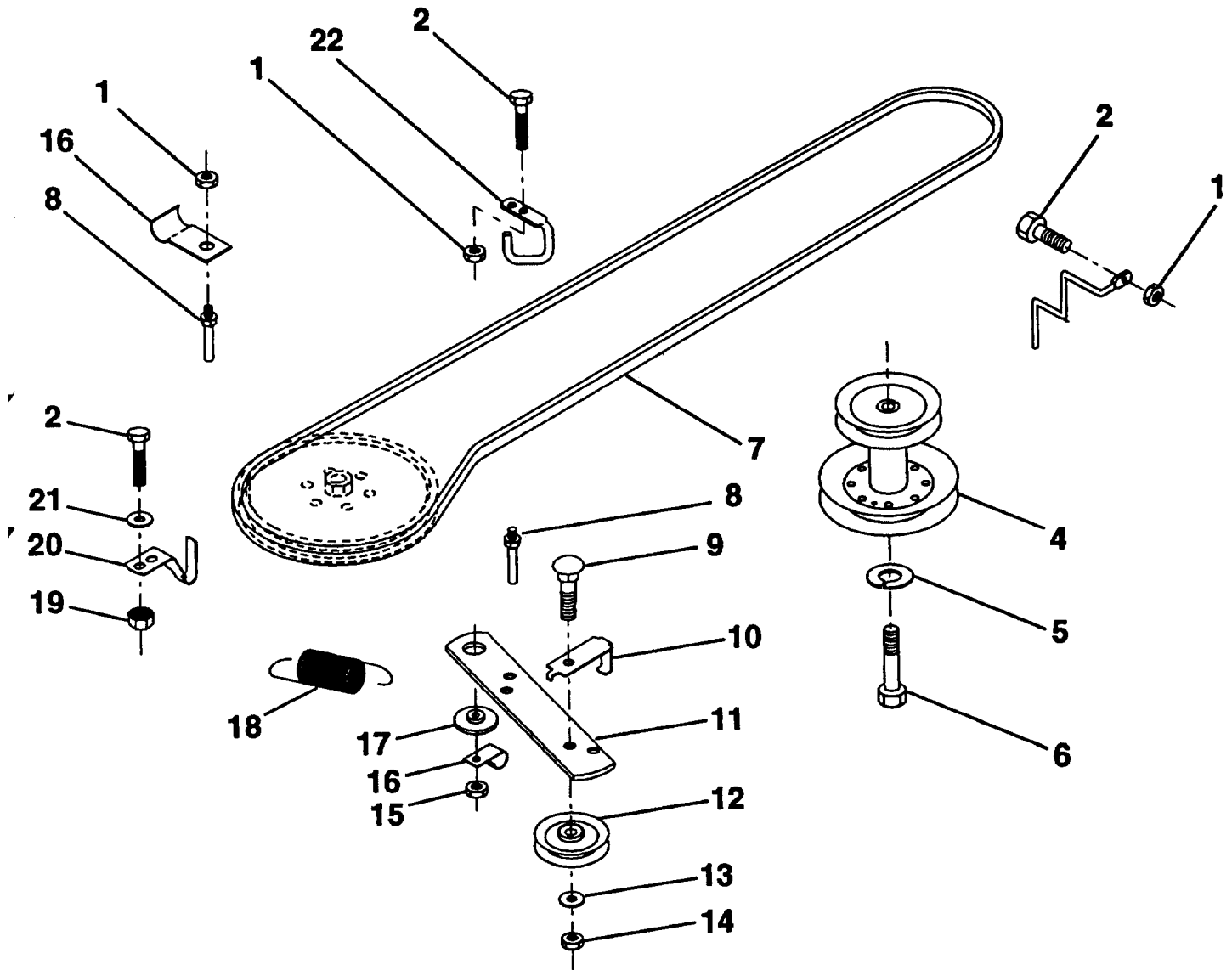
KEY NO.	PART NO.	DESCRIPTION
11	874 78 04-16	Bolt, Hex, Fin. 1/4-20 UNC x 1
12	532 13 74-37	Muffler
17	874 78 06-24	Screw, Hex Washer Head, Thd., Roll. 3/8-16 x 1/2
18	532 12 66-36	Keeper, Ground Drive Belt
19	532 12 79-51	Stop, Throttle

**NOTE:** All component dimensions given in U.S. inches  
1 inch = 25,4

**HARDWARE SHOWN LARGER FOR EASIER IDENTIFICATION**

# REPAIR PARTS

## GROUND DRIVE



KEY PART NO.	NO.	DESCRIPTION
1	873 68 05-00	Nut, Crownlock 5/16-18
2	874 78 05-12	Bolt, Hex Head 5/16-18 UNC x 3/4
4	532 13 50-36	Pulley, Engine
5	810 04 07-00	Washer, Lock 7/16
6	871 13 07-48	Bolt, Hex Head, Fin 7/16-20UNFx3
7	532 12 65-20	Traction, V-Belt Drive
8	532 12 34-05	Keeper, T/A Ground Drive Belt
9	872 14 06-12	Bolt, Carriage 3/8-16 UNC x 1-1/2
10	532 12 33-96	Keeper, Belt Ground Drive Idler
11	532 12 33-95	Clutch, Arm, Ground Drive
12	532 12 36-74	Idler, Flat

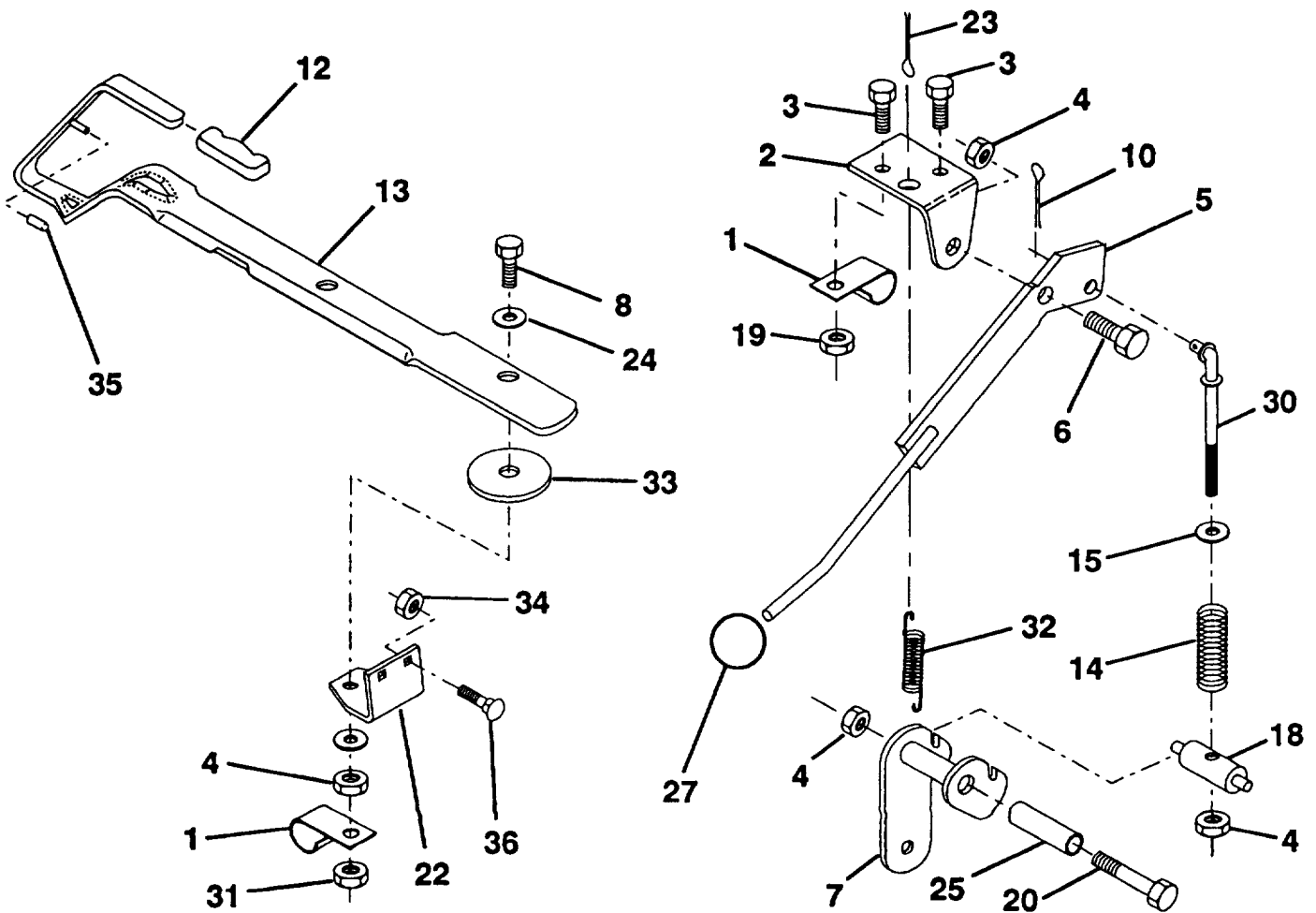
KEY PART NO.	NO.	DESCRIPTION
13	734 11 72-01	Washer 13/32 x 13/16 x 16 Gauge
14	873 68 06-00	Nut, Centerlock 3/8-16 UNC
15	873 68 06-00	Nut, Crownlock 3/8-16 UNC
16	532 12 64-71	Clip, Insulated
17	532 12 20-52	Spacer, Retainer
18	532 13 14-59	Spring Extension
19	873 68 05-00	Nut, Hex, Keps 5/16-18 UNC
20	532 12 38-91	Keeper, T/A Ground Drive Belt
21	734 11 63-01	Washer 11/32 x 5/8 x 16 Gauge
22	532 12 34-04	Keeper, Chassis, Ground Drive Belt

**NOTE:** All component dimensions given in U.S. inches.  
1 inch = 25,4 mm

**HARDWARE SHOWN LARGER FOR EASIER IDENTIFICATION**

# REPAIR PARTS

## MOWER LIFT LEVER



KEY PART NO.	NO.	DESCRIPTION
1	532 12 64-70	Clip, Insulated
2	532 12 20-18	Bracket, Mower Clutch
3	874 78 04-08	Bolt, Hex Head, Fin. 1/4-20 UNC x 1/2 Grade 5
4	873 68 06-00	Nut, Crownlock 3/8-16 UNC
5	532 13 25-52	Assembly, Clutch Lever
6	532 10 64-51	Bolt, Shoulder
7	532 13 51-10	Assembly, Mower Clutch Arm
8	874 93 06-24	Boit, Hex Head 3/8-16 UNC x 1-1/2
10	876 02 04-12	Pin, Cotter 1/8 X 3/4
12	532 12 20-27	Handle, Lift Lever
13	532 13 66-58	Assembly, Lifl Handle
14	532 13 39-39	Spring, Compression
18	532 13 51-07	Trunnion, Threaded 3/8-16
19	873 68 04-00	Nut, Crownlock 1/4-20

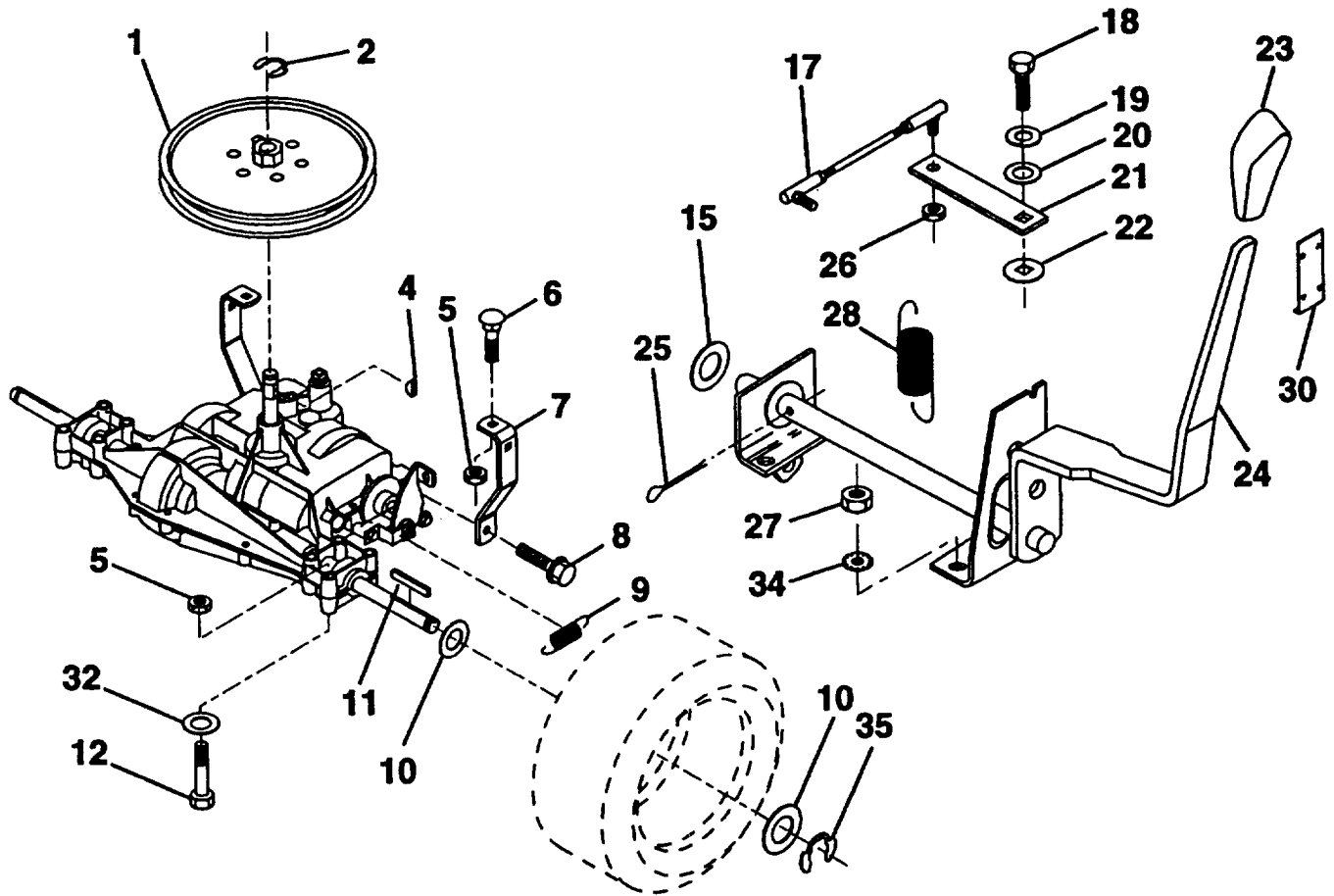
KEY PART NO.	NO.	DESCRIPTION
20	874 76 06-44	Bolt, Hex Head, Fin. 3/8-16 UNC x 2-3/4
22	532 13 25-61	Bracket, Lift Lever
23	876 02 03-12	Pin, Cotter 3/32 X 3/4
24	532 00 76-72	Washer 25/64 X 1 -1/4 X 12 Gauge
25	532 12 19-33	Tube, Spacer
27	532 12 14-66	Knob
30	532 13 50-39	Rod, Tension, Clutch
31	873 68 06-00	Nut, Centerlock
32	532 13 34-35	Spring, Extension, Return
33	819 13 38-08	Washer 13/32 X 2-3/8 X 8 Gauge
34	873 68 05-00	Nut, Crownlock 5/16-18
35	532 13 36-03	Cap, Vinyl, Red
36	872 14 05-06	Bolt, Carriage 5/16-18 X 3/4

**NOTE:** All component dimensions given in U.S. inches.  
1 inch = 25,4 mm

**HARDWARE SHOWN LARGER FOR EASIER IDENTIFICATION**

# REPAIR PARTS

## TRANSAXLE



KEY NO.	PART NO.	DESCRIPTION
1	532 12 33-85	Pulley
2	812 00 00-28	Ring, Retainer
4	532 12 50-96	Key, Woodroff #9
5	873 68 05-00	Nut, Crownlock 5/16-18
6	872 14 05-06	Bolt, Carriage 5/16-18 UNC x 3/4
7	532 12 33-78	Strap, Torque
8	874 78 05-12	Screw 5/16-18 x 3/4
9	532 11 04-22	Spring, Brake
10	532 12 17-49	Washer 25/32 x 1-1/4 x 16 Gauge
11	532 12 35-83	Key, Square
12	874 76 05-40	Bolt, Hex, Fin. 5/16-18 x 2-1/2
15	734 11 78-01	Washer 17/32 x 1 x 16 Gauge
16	532 12 46-00	Support, ShiR Handle, LH
17	532 12 62-93	Link, Shift
18	871 04 04-12	Bolt, Hex Head, Fin. 1/4-28 UNF x 3/4 Grade 8

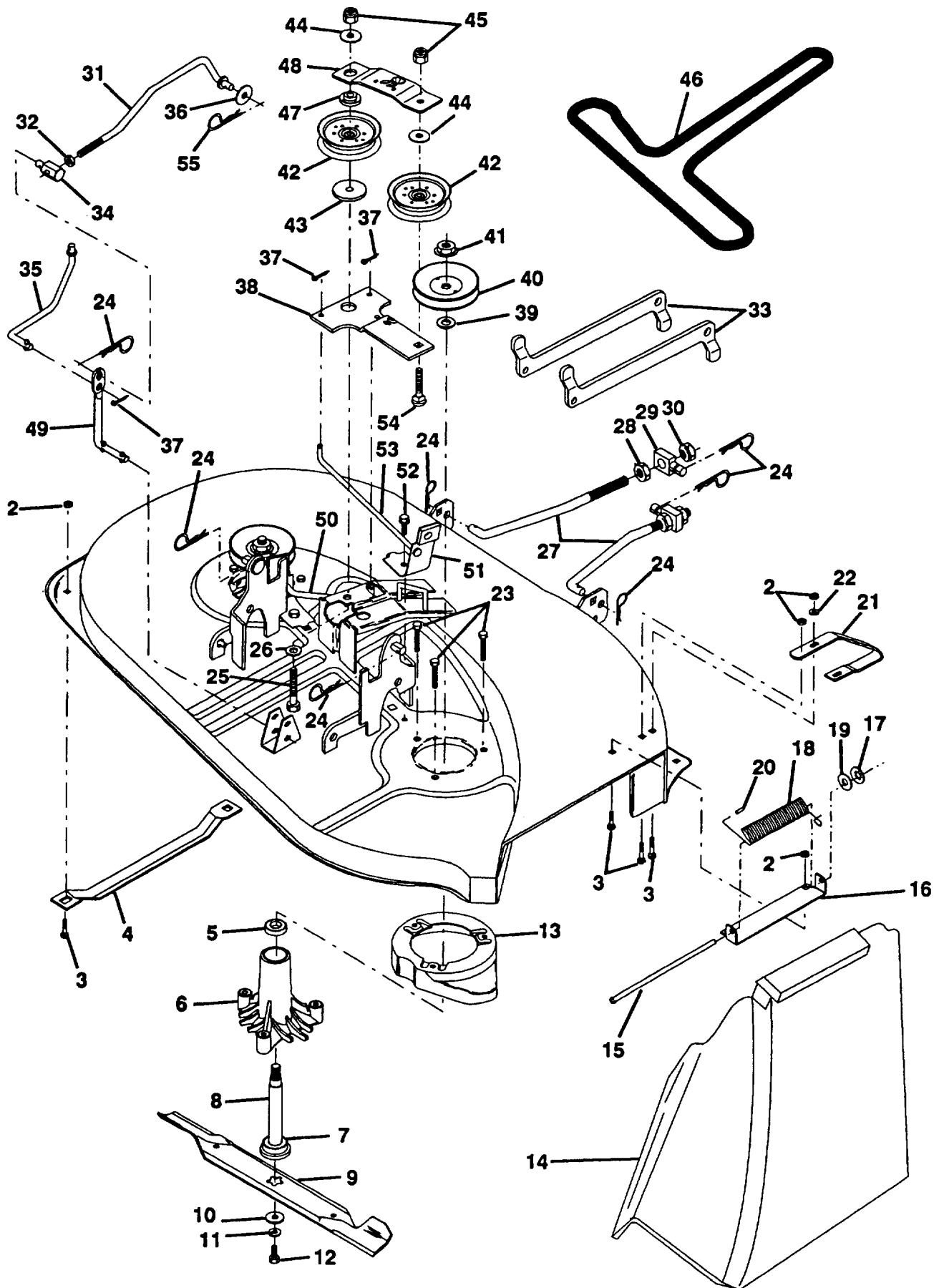
KEY NO.	PART NO.	DESCRIPTION
19	810 04 04-00	Washer, Lock 1/4
20	734 11 54-41	Washer 9/32 x 3/4 x 10 Gauge
21	532 12 62-92	Arm, Shift
22	532 10 57-01	Washer, Shift Plate
23	532 12 20-11	Knob, Golf Club
24	532 12 82-02	Handle Asm., Shift
25	876 02 04-16	Pin, Cotter 1/8 x 1
26	873 61 05-00	Nut, Hex, Nylon 5/16-24 UNF
27	873 68 05-00	Nut, Hex, Keps 5/16-18
28	532 12 80-85	Spring, Extension
29	532 12 80-84	Support, ShiR Handle, RH
30	532 12 36-92	Retainer, Knob
32	734 11 63-01	Washer 11/32 x 11/16 x 16 Gauge
34	810 04 05-00	Washer, Lock, External Tooth 5/16
35	812 00 00-01	E-Ring

**NOTE:** All component dimensions given in U.S. inches, 1 inch = 25,4 mm

**HARDWARE SHOWN LARGER FOR EASIER IDENTIFICATION**

# REPAIR PARTS

## MOWER DECK



# REPAIR PARTS

## MOWER DECK

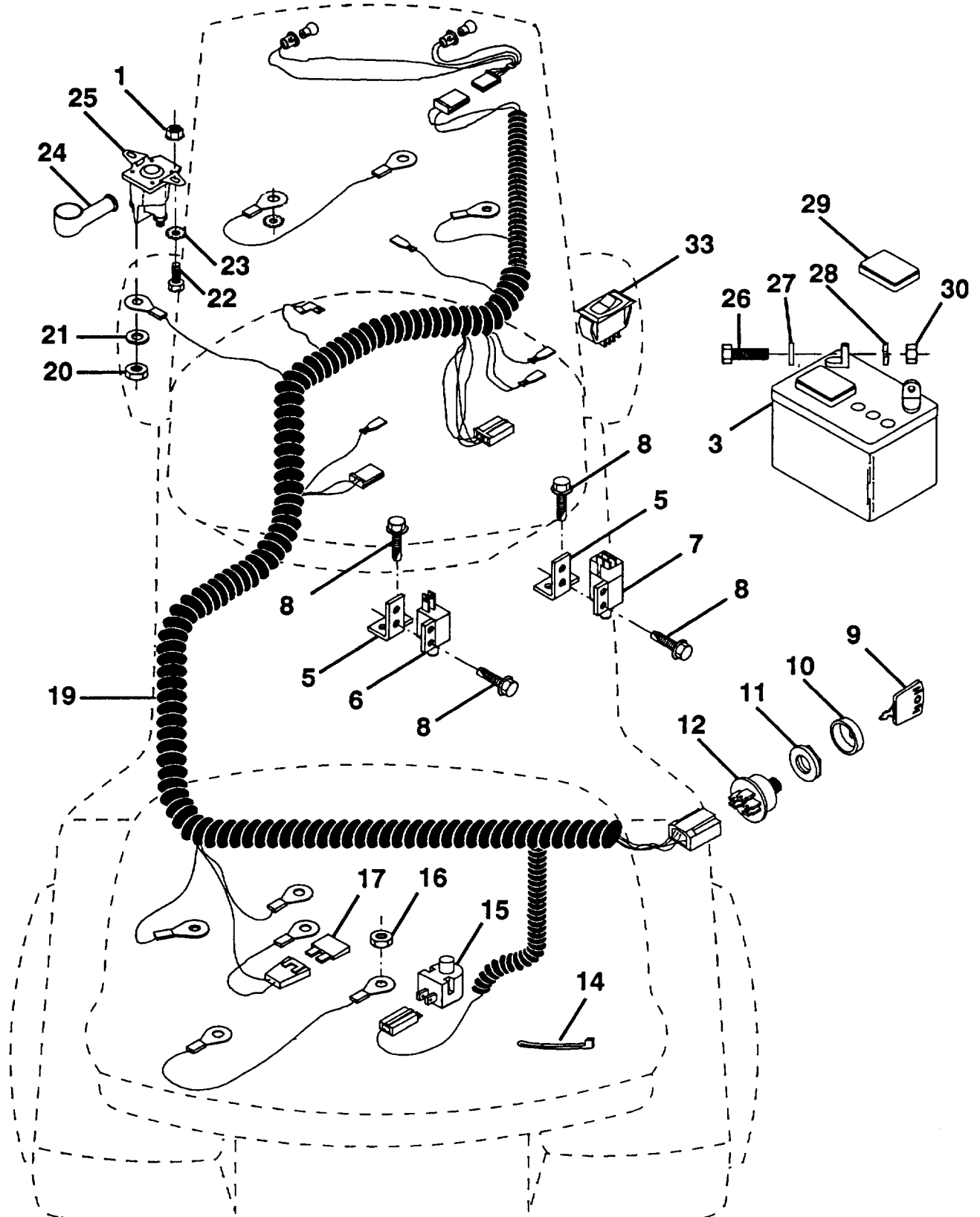
KEY NO.	PART NO.	DESCRIPTION	KEY NO.	PART NO.	DESCRIPTION
2	873 68 05-00	Nut, Crownlock 5/16-18	31	532 13 25-53	Clutch Rod, Primary
3	872 14 05-06	Bolt, Carriage 5/16-18 x 3/	32	873 22 06-00	Nut, Hex, Jam 3/8-16
4	532 00 76-31	Runner, LH	33	532 13 25-59	Arm, Suspension, Rear
5	532 11 04-85	Bearing	34	532 13 36-04	Trunnion 3/8-16
6	532 12 87-74	Housing, Mandrel	35	532 13 25-54	Clutch Rod, Secondary
7	532 12 98-95	Bearing	36	734 11 72-01	Washer 13/32 x 1 3/16 x 16 Gauge
8	532 13 31-72	Shaft and Bearing Assembly Mandrel (Includes Key Number 7)	37	876 02 03-12	Pin, Cotter 3/32 x 3/4
9	532 13 13-22	Blade, 38" Euro	38	532 13 38-40	Idler Arm
10	532 12 99-62	Washer, Hardened	39	532 12 99-63	Washer .150 Thick
11	810 04 06-00	Washer, Lock 3/8	40	532 12 92-06	Pulley, Mandrel
12	532 85 08-57	Bolt, Hex 3/8-24 x 1-1/4 Grade 8	41	873 05 09-00	Nut, Flangelock9/16
13	532 12 89-61	Stripper, Mower, Vented	42	532 13 14-94	Pulley, Flat Idler
14	532 10 67-36	Shield, Deflector	43	532 12 20-52	Spacer, Retainer
15	532 10 67-35	Rod, Hinge	44	819 13 16-14	Washer 13/32 x 1 x 12 Gauge
16	532 13 76-07	Bracket Assembly, Deflector	45	873 68 06-00	Nut, Crownlock 3/8-16
17	532 11 04-52	Pushnut	46	532 13 12-90	Belt
18	532 10 67-34	Spring, Deflector	47	532 13 35-02	Spacer, Idler Arm
19	734 11 63-01	Washer 11/32 x 578 x 16 Gauge	48	532 13 35-03	Stiffener, Idler Arm
20	532 10 53-04	Cap, Sleeve	49	532 13 35-51	Rod, Pivot
21	532 12 87-72	Runner, RH	50	532 13 12-89	Rod, Brake, LH
22	734 11 63-01	Washer 11/32 x 3/4 x 16 Gauge	51	532 13 08-40	Brake Assembly
23	532 07 81-58	Bolt, Hex Head 5/16-18 x 1-1/4	52	874 78 05-12	Screw, Hex Washer Head, Thd. Roll. 5/16-18 x 3/4
24	532 12 46-70	Retainer, Spring	53	532 13 12-88	Rod, Brake, RH
25	874 76 06-36	Bolt, Carriage 3/8-16 x 2-1/4	54	872 11 06-14	Bolt, Carriage 3/8-16 x 1-3/4 Grade 5
26	819 13 16-14	Washer 13/32 x 1 x 12 Gauge	55	532 12 47-88	Spring, Retainer
27	532 13 22-56	Link Assembly, Front	- -	532 13 07-94	Mandrel Assembly (Includes Key Numbers 5-8, 10-12, 39 and 41)
28	873 22 08-00	Nut, Hex, Jam 1/2-13 UNC			
29	532 13 01-71	Trunnion			
30	873 80 08-00	Locknut with Washer Insert 1/2-13 UNC			

**NOTE:** All component dimensions given in U.S. inches.  
1 inch = 25,4 mm

**HARDWARE SHOWN LARGER FOR EASIER IDENTIFICATION**

# REPAIR PARTS

## ELECTRICAL





# REPAIR PARTS

## ELECTRICAL

KEY NO.	PART NO.	DESCRIPTION
1	873 68 04-00	Nut, Hex Keps 1/4-20
3	532 12 38-88	Battery
5	532 10 82-36	Bracket, Switch
6	532 10 44-45	Switch, Interlock (2-terminal)
7	532 10 95-53	Switch, Interlock (4-terminal)
8	817 02 10-08	Screw, Hex Head, Tapping #10-24x 1/2
9	516 84 46-00	Key, Molded
10	532 12 36-20	Cover, Ignition Key
11	532 12 42-11	Nut, Ignition
12	532 12 51-04	Switch, Ignition
14	532 12 47-56	Tie, Cable
15	532 12 13-05	Switch, Plunger
16	873 68 05-00	Nut, Hex, Keps 5/16-18
17	532 10 88-24	Fuse
19	532 13 22-22	Harness, Ignition
20	873 22 04-00	Nut, Hex Jam 1/4-20
21	810 04 04-00	Washer, Lock 1/4
22	874 78 04-08	Bolt, Hex Head, Fin. 1/4-20 UNC x 1/2 Grade 5
23	810 04 04-00	Washer, Lock, External Tooth 1/4
24	532 13 15-63	Cover, Terminal
25	532 10 99-46	Solenoid
26	874 76 04-12	Bolt, Hex Head 1/4-20 UNC x 3/4
27	734 11 53-01	Washer 9/32 x 5/8 x 16 Gauge
28	810 04 04-00	Washer, Lock 1/4
29	532 12 12-64	Cap, Battery
30	873 22 04-00	Nut, Hex, Fin. 1/4-20 UNC
33	532 11 07-12	Switch, Light
35	810 04 06-00	Washer, Lock, Ext. Tooth 3/8

**NOTE:** All component dimensions given in U.S. inches.  
1 inch = 25,4 mm

**HARDWARE SHOWN LARGER FOR EASIER IDENTIFICATION**