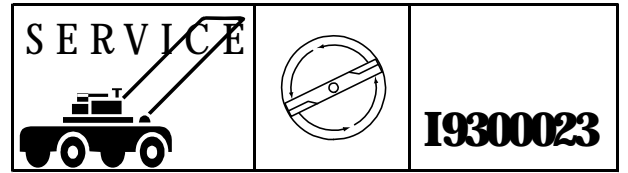


Jonsered



IPL, LR8, LR10, LR12 36", 1993-01

LR8, LR10, LR12 36"

Spare parts

Ersatzteile

Pièces détachées

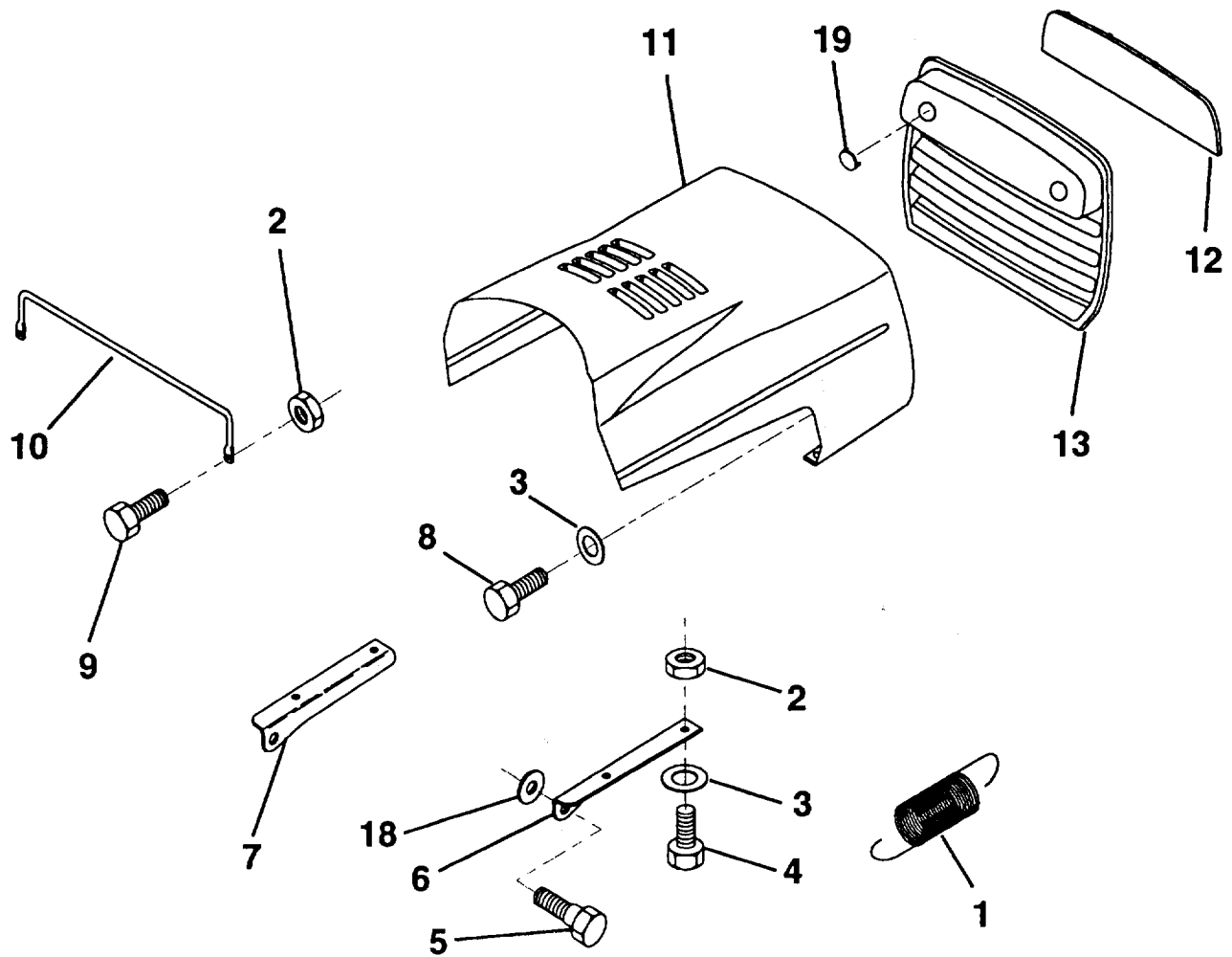
Reserve onderdelen

Repuestos

Reservdelar

REPAIR PARTS

HOOD

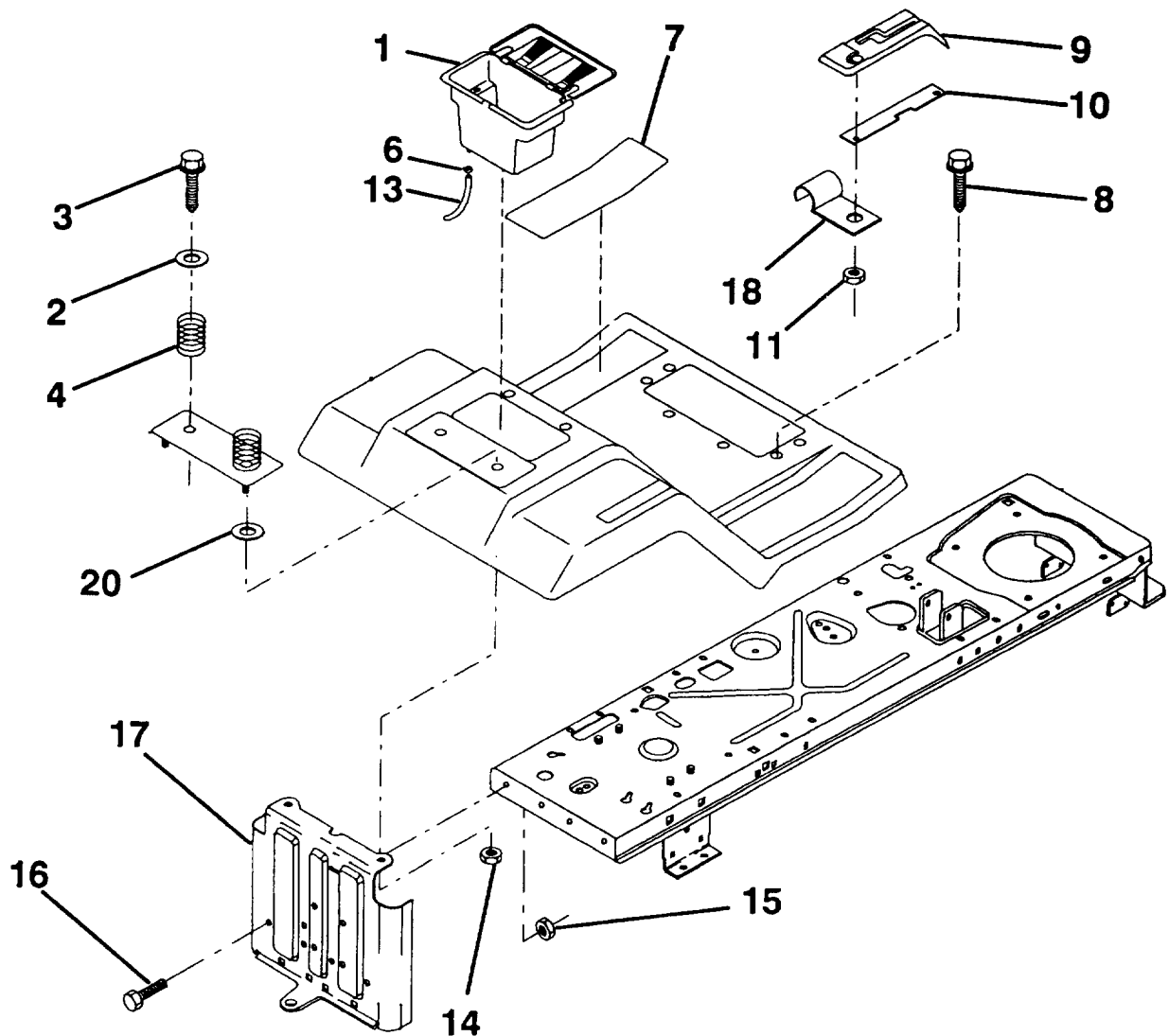


KEY PART NO.	NO.	DESCRIPTION	KEY PART NO.	NO.	DESCRIPTION
1	532 12 46-57	Extension, Spring	9	874 76 04-12	Bolt, Hex Fin. 1/4-20 x 3/4 Gr.5
2	873 68 04-00	Nut, Hex, Keps 1/4-20	10	532 12 36-93	Brace, Hood
3	734 11 53-01	Washer, 9/32 x 5/8 x 16 Ga	11	532 12 54-29	Hood
4	874 78 04-10	Bolt, Hex Fin. 1/4-20 UNC 5/8 Gr.5	12	532 12 20-35	Lens, Plate, Grill
5	532 12 66-75	Bolt, Shoulder	13	532 12 70-29	Grill
6	532 12 25-49	Bracket, Hood R.H.	18	734 11 63-01	Washer 11/32 x 11/16 x 16 Ga
7	532 12 25-48	Bracket, Hood L.H.	19	532 13 13-19	Plug Socket Light
8	817 41 13-10	Screw, Fin, Hex #13-1 6 Hi-Lo x 5/8			

HARDWARE SHOWN LARGER FOR EASIER IDENTIFICATION

REPAIR PARTS

FENDER / CHASSIS



KEY PART NO. NO.

DESCRIPTION

1	532 12 99-65	Case, Battery
2	734 11 74-41	Washer 13/32 x 1-1/4 x 12 Ga
3	874 78 06-12	Screw, Hex Wsh. Thrdrol 3/8-16 x 3/4
4	532 12 41-81	Spring, Compression, Seat
6	532 10 95-96	Clamp, Hose
7	532 12 41-44	Pad, Footrest
8	874 78 05-12	Screw, Hex Wsh. Thdrol 5/16-18 x 3/4
9	532 12 69-97	Console, Shift Control

KEY PART NO. NO.

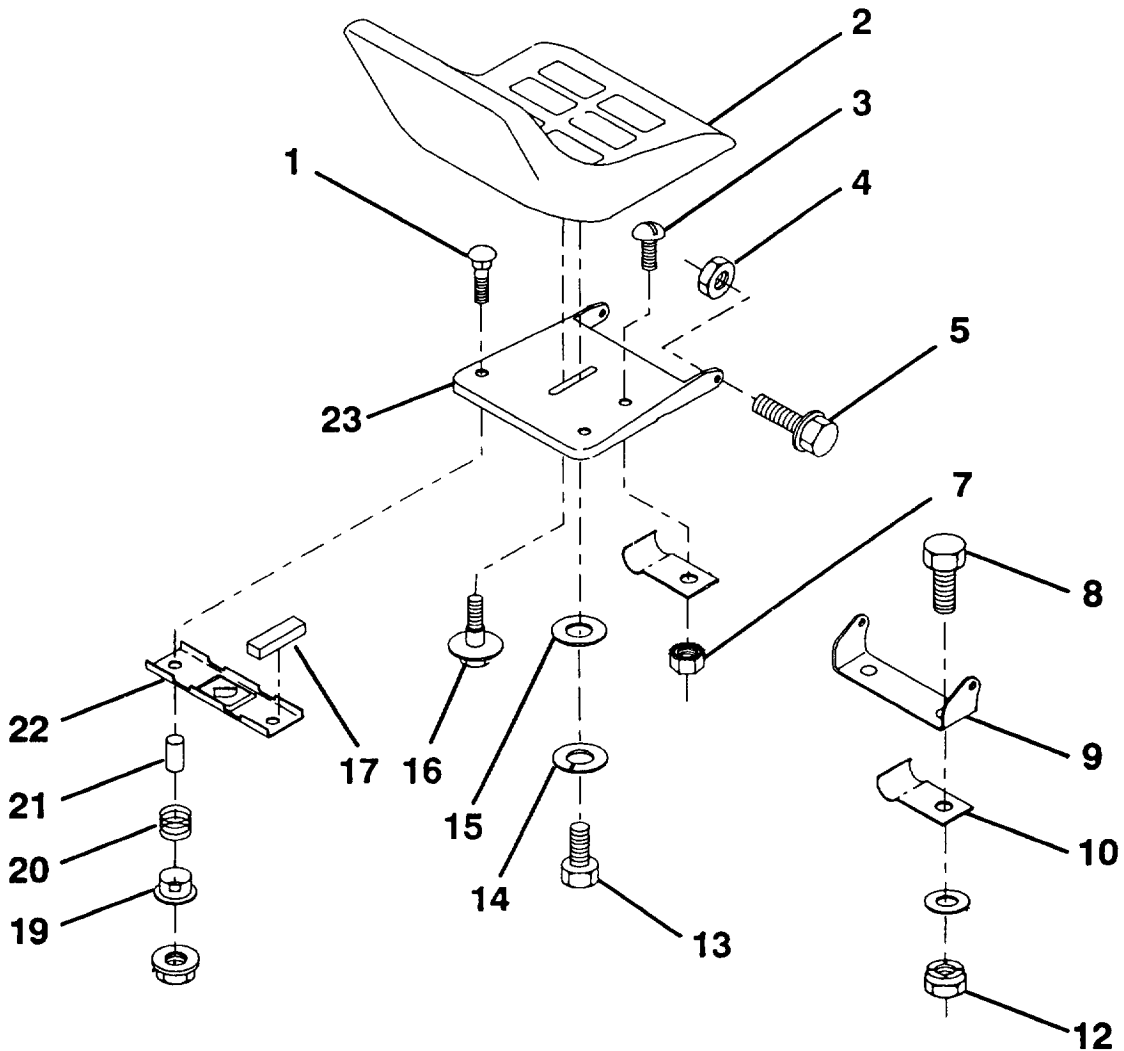
DESCRIPTION

10	532 12 46-02	Bar, Shift Lock
11	532 12 43-46	Ntn, SeH-Thrdrol, Wsh. Head 3/16
13	532 10 56-87	Tube, Battery Drain
14	873 68 04-00	Nut, Crownlock 1/4-20 UNC
15	873 68 05-00	Nut, Crownlock 5/16-18
16	874 78 05-12	Bolt, Hex Hd. 5/16-18 UNC x 3/4
17	532 12 78-80	Drawbar
18	532 12 64-70	Clip, Insulated
20	819 09 14-16	Washer 9/32 x 7/8 x 13 Ga

HARDWARE SHOWN LARGER FOR EASIER IDENTIFICATION

REPAIR PARTS

SEAT

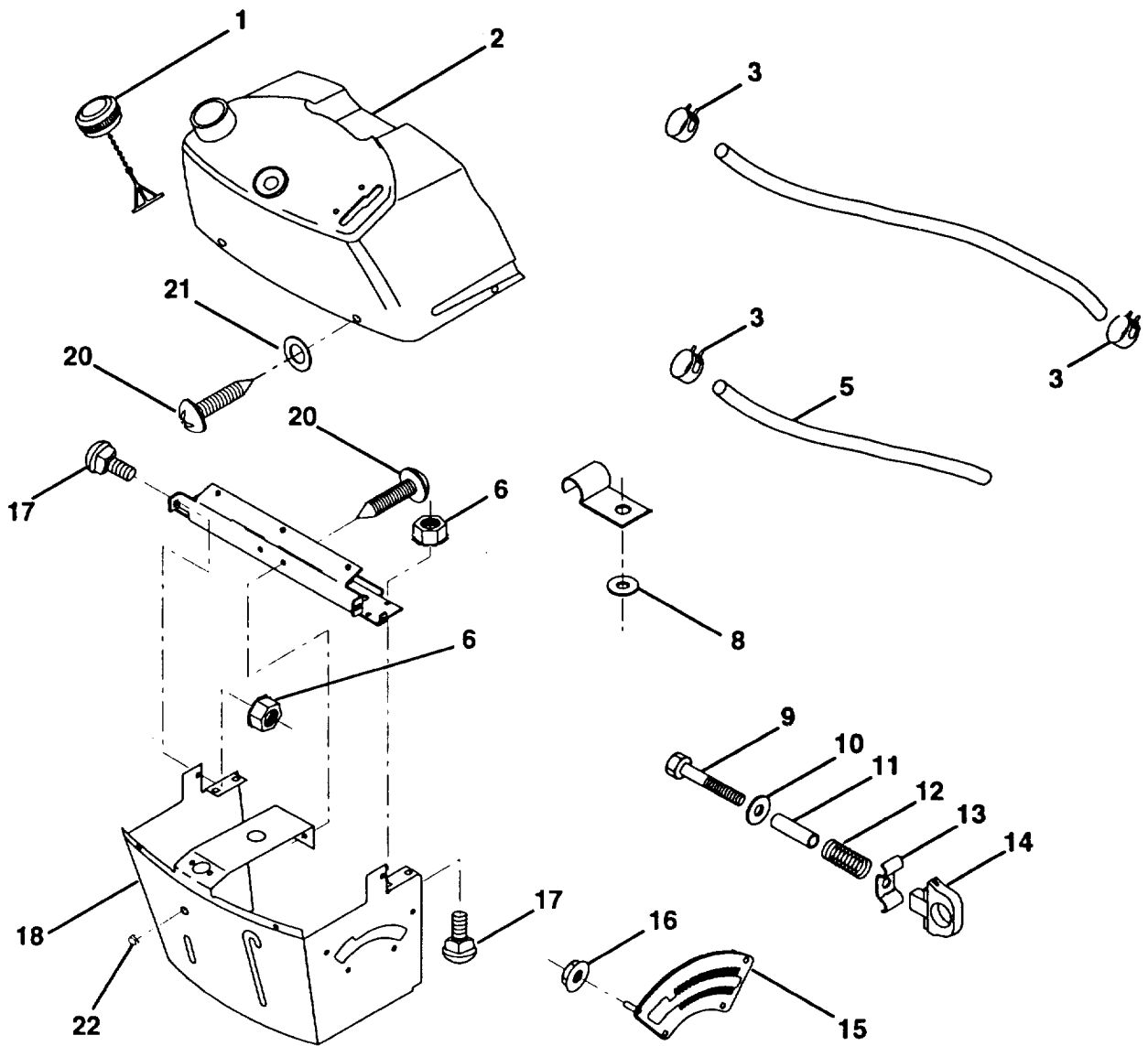


KEY PART NO.	NO.	DESCRIPTION	KEY PART NO.	NO.	DESCRIPTION
1	872 05 04-11	Bolt, Carriage 1/4-20 x 1 -3/8	13	874 78 08-14	Bolt, Fin Hex 1/2-13 UNC x 7/8 Gr. 5
2	532 12 74-23	Seat	14	810 04 08-00	Washer, Lock Hvy Helical Spring
3	874 64 10-08	Screw, Slotted Pan Head #10-32 x 1/2	15	819 17 19-12	Washer, 17/32 x 1-3/16 x 12 Ga
4	873 68 05-00	Nut, Crownlock 5/16-18	16	532 12 70-18	Bolt, Shoulder
5	532 10 55-29	Bolt, Shoulder 5/16-18 UNC	17	532 12 12-51	Strip, Foam
7	873 16 10-00	Nut, Keps #10-32 UNF	19	532 12 12-48	Bushing, Snap
8	874 78 06-12	Bolt, Fin Hex 3/8-16 UNC x 3/4	20	532 12 12-50	Spring, Compression
9	532 12 66-56	Bracket, Pivot Seat	21	532 12 12-49	Spacer, Split 28 Id. x .88 Lg
10	532 12 64-71	Clip, Insulated	22	532 12 12-46	Bracket, Switch, Mounting
12	873 68 06-00	Nut, Crownlock 3/8-16 UNC	23	532 13 14-51	Pan, Seat

HARDWARE SHOWN LARGER FOR EASIER IDENTIFICATION

REPAIR PARTS

DASH



**KEY PART
NO. NO.**

KEY PART NO.	NO.	DESCRIPTION
1	532 12 20-15	Cap, Fuel
2	532 13 09-13	Assembly, Dash & Fuel Tank
3	532 12 34-87	Clamp, Hose
5	532 00 85-48	Line, Fuel
6	873 68 04-00	Nut, Hex, Keps 1/4-20
8	734 11 54-41	Washer 9/32 x 3/4 x 16 Ga
9	874 76 04-28	Bolt, Hex, Fin 1/4-20 x 1-3/4
10	819 09 14-16	Washer 11/32 x 11/16 x 16 Ga
11	532 12 12-49	Spacer, Split

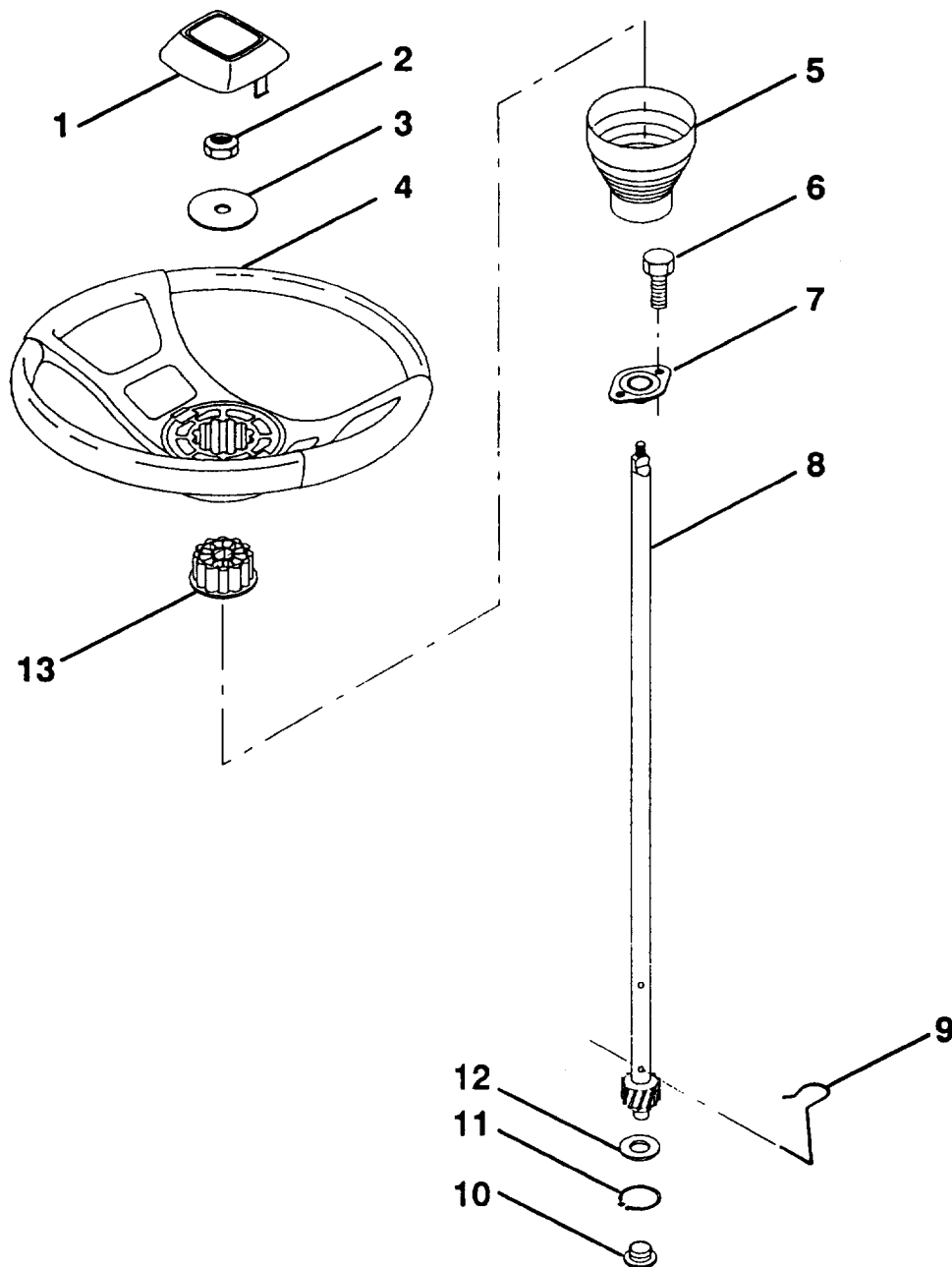
**KEY PART
NO. NO.**

KEY PART NO.	NO.	DESCRIPTION
12	532 00 37-20	Spring
13	532 12 64-50	Clip, Height Adjustment
14	532 12 61-15	Knob, Height Stop
15	532 12 20-23	Adjustment, Quadrant Height
16	532 12 43-46	Nut, Self-Threading 3J16-18
17	872 11 04-04	Bolt, Carriage 1/4-20 x 1/2 Gr 5
18	532 13 07-45	Support Assembly, Dash
20	818 00 04-08	Screw, Self-Tapping 1/4-20 x 1/2
21	734 11 53-01	Washer 9/32x1/2x16Ga
22	532 13 40-14	Plug, Dome Black

HARDWARE SHOWN LARGER FOR EASIER IDENTIFICATION

REPAIR PARTS

STEERING WHEEL



**KEY PART
NO. NO.**

DESCRIPTION

1	532 13 37-42	Insert, Wheel, Steering
2	873 61 06-00	Locknut 3/8-24 UNF
3	819 13 38-08	Washer 12/32 x 2-3/8 x 8 Ga
4	532 13 37-41	Wheel, Steering
5	532 12 18-97	Sleeve, Steering
6	817 21 10-08	Screw, Hex #10- 16 x 1/2 TY-B
7	532 10 28-03	Bushing, Steering

**KEY PART
NO. NO.**

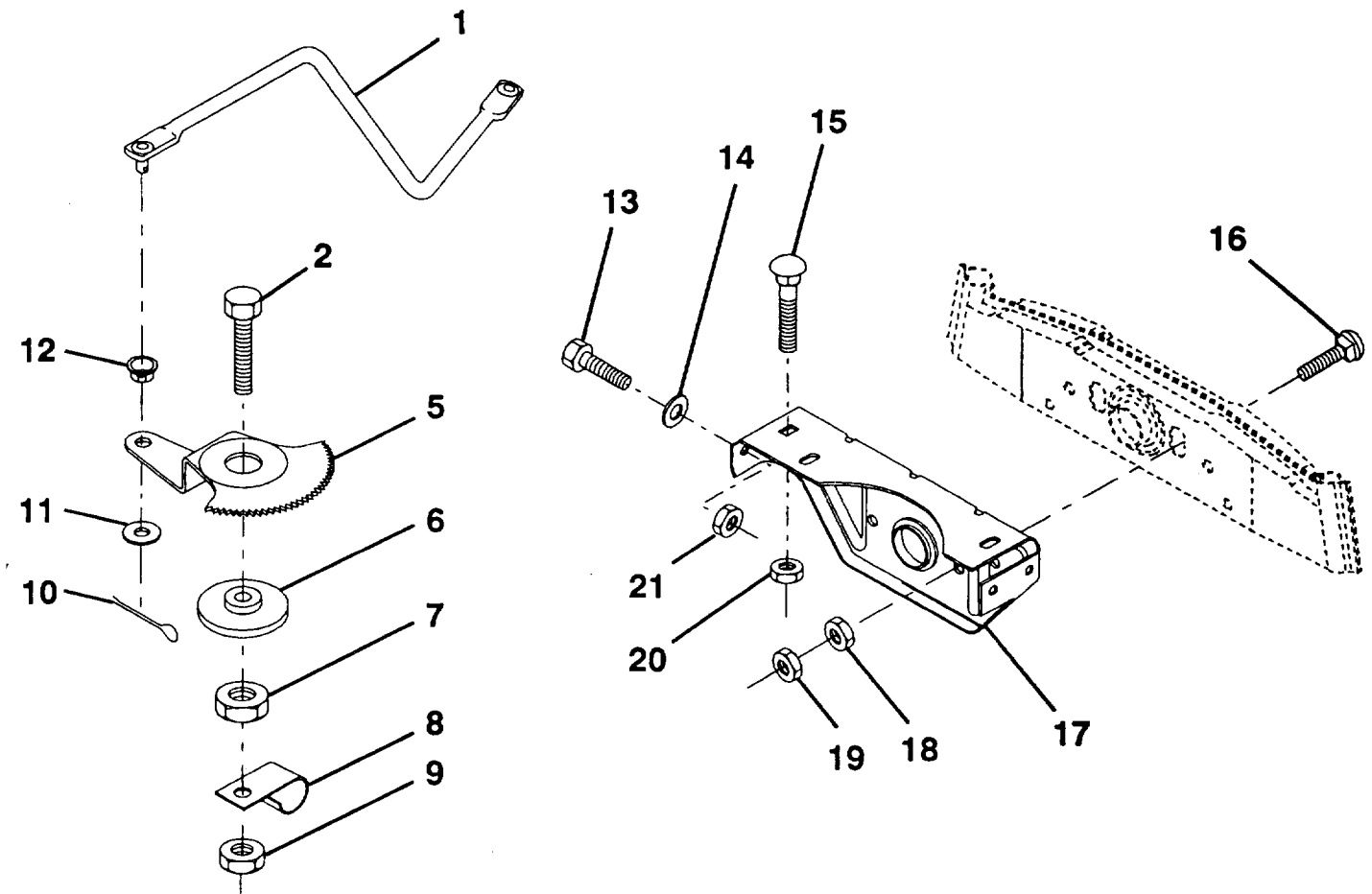
DESCRIPTION

8	532 12 36-51	Shaft, Steering
9	532 12 42-10	Clip, Steering
10	532 12 34-38	Bushing, Lower, Steering
11	812 00 00-45	Ring, Retaining
12	734 11 85-71	Washer 21/32x1x16Ga
13	532 10 48-20	Adaptor, Wheel, Steering

HARDWARE SHOWN LARGER FOR EASIER IDENTIFICATION

REPAIR PARTS

SECTOR GEAR / AXLE SUPPORT



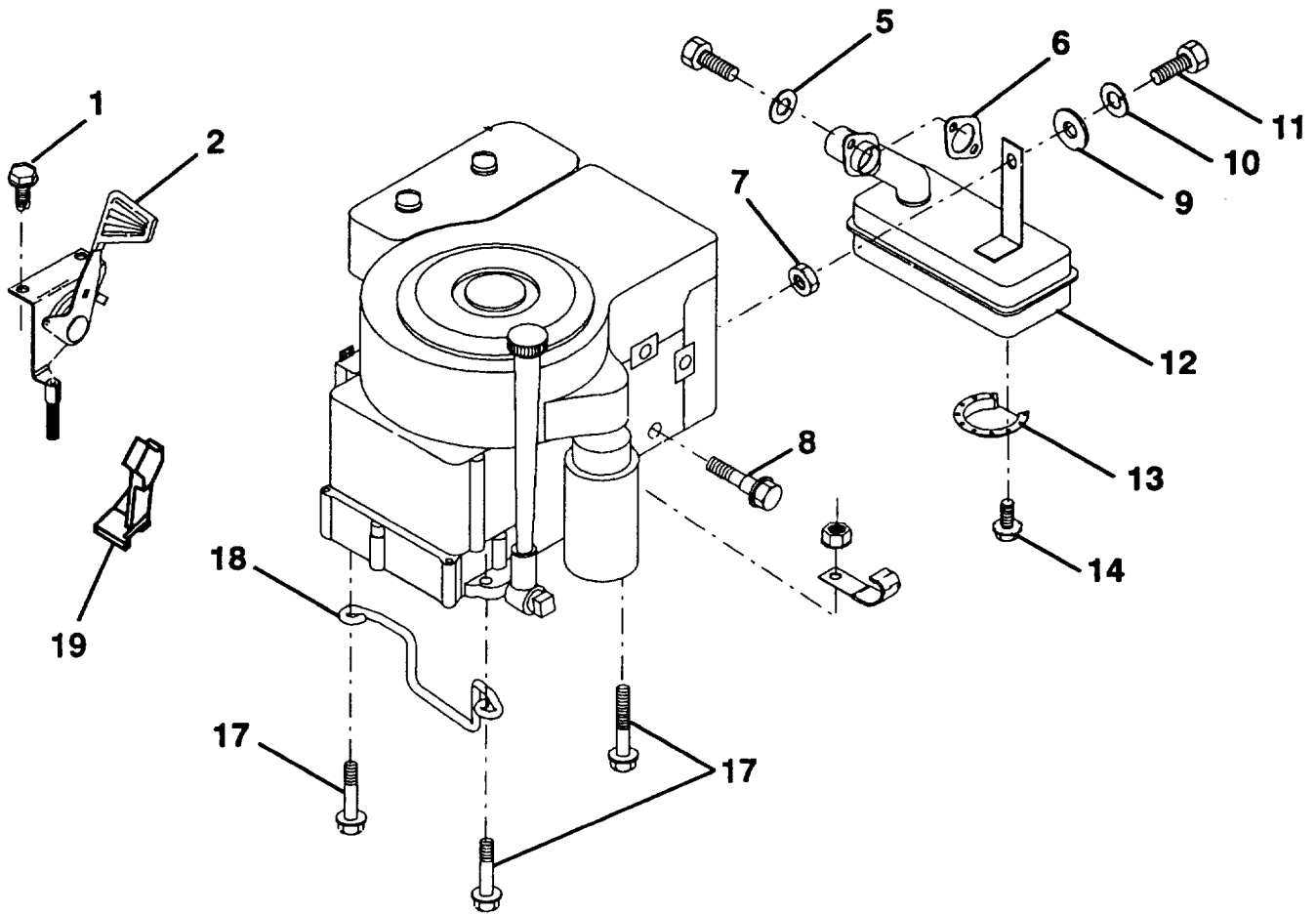
KEY NO.	PART NO.	DESCRIPTION
1	532 13 25-66	Link, Drag
2	874 78 08-28	Bolt, Fin Hex 1/2-13 x 1 -3/4
5	532 12 19-26	Gear, Sector
6	532 12 19-27	Bushing
7	873 68 08-00	Nut, Heavy Hex Top Lock 1/2-13 UNC
8	532 12 64-72	Clip, Insulated
9	873 68 08-00	Nut, Crownlock 3/8-16
10	876 02 04-12	Pin, Cotter 1/8 x 3/4
11	734 11 72-01	Washer, 13/32 x 13/16 x 16 Ga

KEY NO.	PART NO.	DESCRIPTION
12	532 12 68-47	Bushing
13	874 78 05-12	Bolt, Hex Hd. 5/16-18 UNC x 3/4
14	734 11 65-41	Washer 11/32x7/8x16Ga
15	872 11 06-06	Bolt, Carriage 3/8-16UNC x3/4
16	872 14 06-22	Bolt, Carriage
17	532 12 19-12	Support, Front Axle
18	873 22 06-00	Nut, Fin Hex 3/8-16 UNC
19	873 68 06-00	Nut, Centerlock 3/8-16 UNC
20	873 68 06-00	Nut, Crownlock 3/8-16 UNC
21	873 68 05-00	Nut, Crownlock 5/16-18

HARDWARE SHOWN LARGER FOR EASIER IDENTIFICATION

REPAIR PARTS

ENGINE / THROTTLE

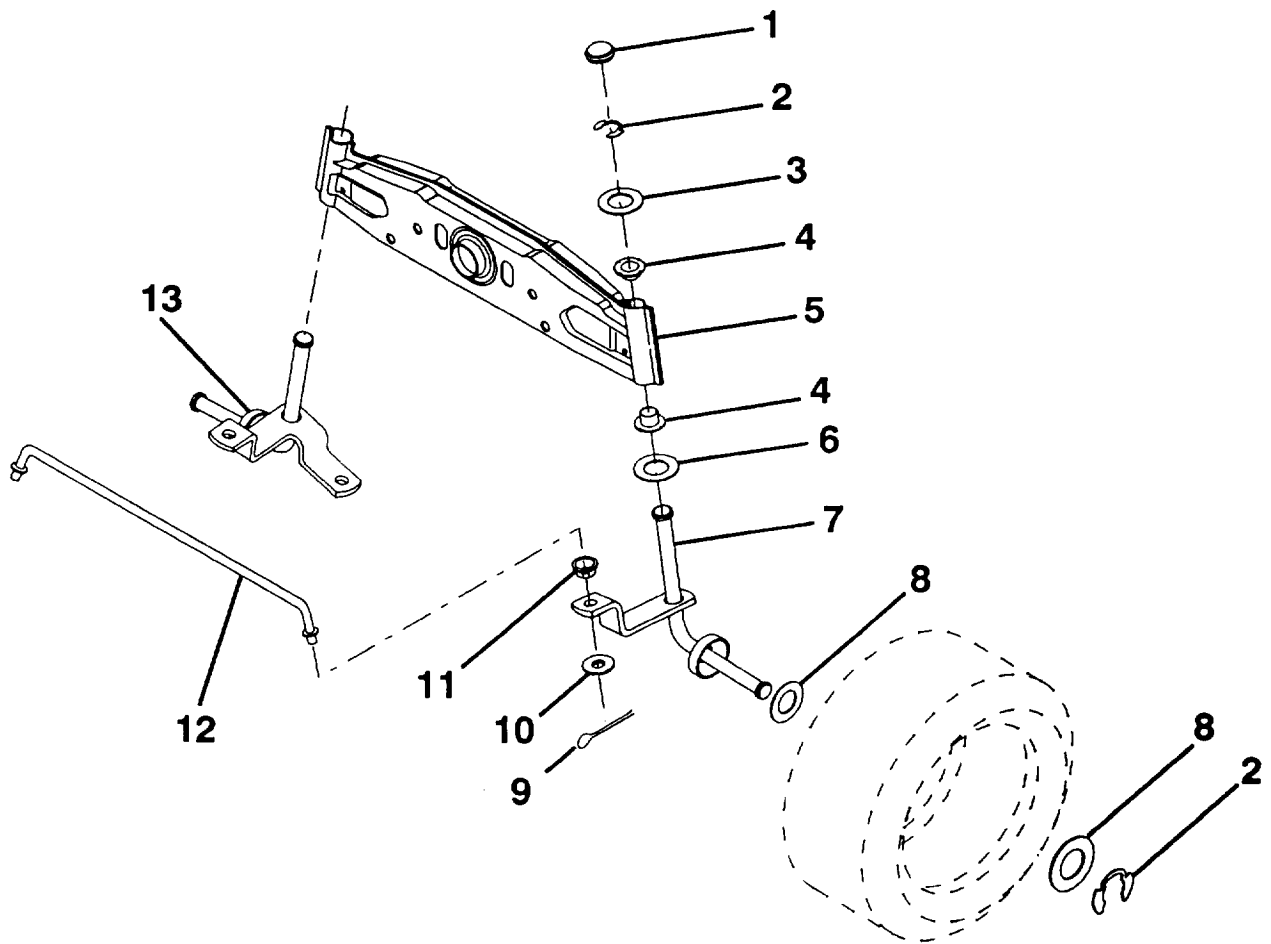


KEY PART NO.	PART NO.	DESCRIPTION	KEY PART NO.	PART NO.	DESCRIPTION
1	874 78 04-08	Screw, Hex Thd. Cut 1/4-20 x 1/2	11	874 78 04-16	Bolt, Hex Fin 1/4-20 UNC x 1
2	532 13 25-21	Control, Throttle	12	532 12 36-76	Muffler
5	810 04 05-00	Washer, Lock Heavy Helical Spring 5/16	13	532 10 13-26	Deflector, Muffler
6	532 12 55-93	Gasket, Exhaust	14	817 03 08-08	Screw, Spiderlock Hex Hd. 8 x 1/2 ABTPS
7	873 22 05-00	Nut, Hex 5/16-18	17	874 78 06-24	Screw, Hex Wsh Hd Thdrol 3/8-16x 1-1/2
8	532 12 10-94	Bolt, Shoulder 5/16	18	532 12 66-36	Keeper, Ground Drive Belt
9	734 11 54-41	Washer 5/16x3/4x16	19	532 12 79-51	Stop, Throttle
10	810 04 04-00	Washer, Lock Heavy Helical Spring 1/4			

HARDWARE SHOWN LARGER FOR EASIER IDENTIFICATION

REPAIR PARTS

FRONT AXLE

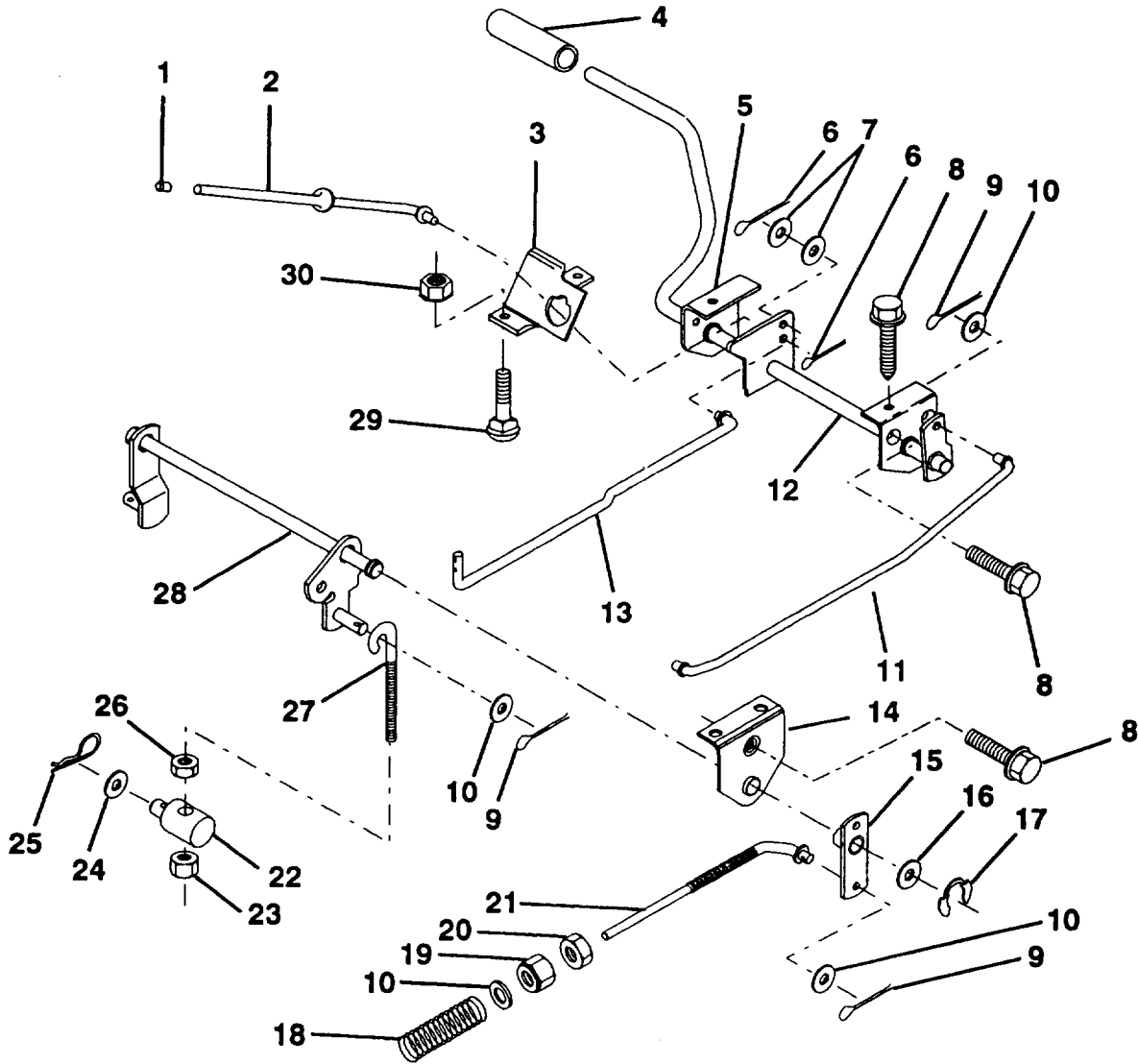


KEY PART NO.	NO.	DESCRIPTION	KEY PART NO.	NO.	DESCRIPTION
1	532 12 12-32	Cap, Spindle	8	532 12 17-49	Washer 25/32x1-1/4 x16 Ga
2	812 00 00-29	Ring, Clip	9	876 02 04-12	Pin, Cotter 1/8 x 3/4
3	532 12 17-48	Washer 25/32 x 1 -5/8 x 16 Ga	10	734 11 72-01	Washer 13/32 x 13/16 x 16 Ga
4	532 12 19-22	Nyliner	11	532 12 68-47	Bushing
5	532 12 85-43	Axle, Front	12	532 12 19-24	Rod, Tie
6	532 12 49-31	Bearing, Thrust	13	532 12 19-16	Spindle, LH Asm
7	532 12 19-19	Spindle, RH Asm			

HARDWARE SHOWN LARGER FOR EASIER IDENTIFICATION

REPAIR PARTS

BRAKE / REAR MOWER LIFT LEVER



**KEY PART
NO. NO.**

DESCRIPTION

1	532 07 16-73	Cap, Plunger
2	532 12 34-36	Rod, Parking Brake
3	532 12 34-37	Bracket, Parking Brake
4	532 12 48-72	Cover, Pedal
5	532 12 25-04	Bracket, Clutch/Brake Pedal, LH
6	876 02 03-12	Pin, Cotter 3/32 x 3/4
7	734 11 71-71	Washer 13/32 x 5/8 x 16 Ga
8	817 49 05-08	Screw, Hex, Thd. Roll. 5/16-18 x 1/2
9	876 02 04-12	Pin, Cotter 1/8x3/4
10	734 11 72-01	Washer 13/32 x 13/16 x 16 Ga
11	532 12 35-43	Rod, Brake Front
12	532 12 95-67	Assembly, Clutch/brake Pedal
13	532 12 33-94	Rod, Clutch
14	532 12 19-78	Bracket, LiR, Shaft
15	532 12 36-41	Assembly, Brake, Pivot, Arm

**KEY PART
NO. NO.**

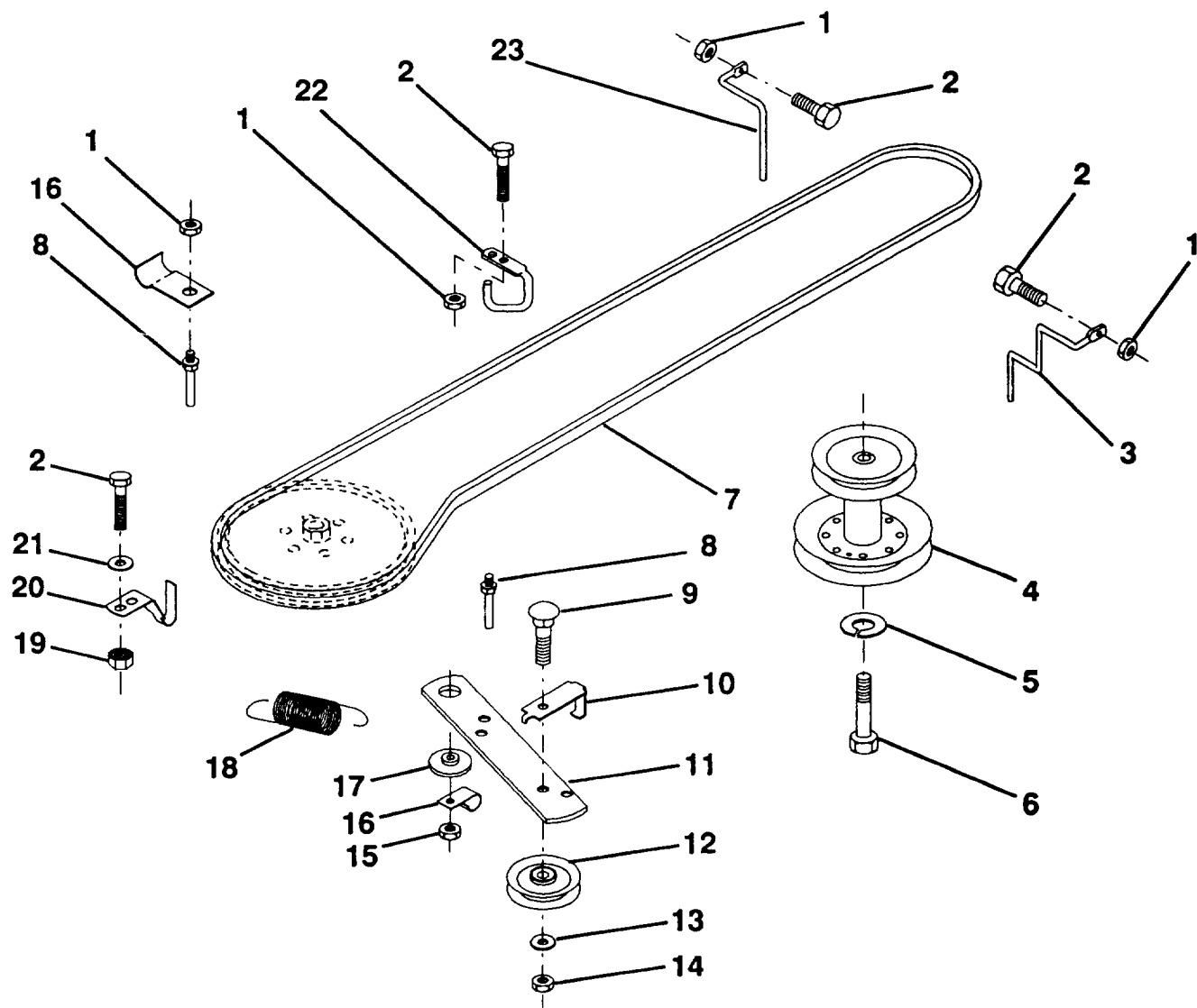
DESCRIPTION

16	819 25 18-16	Washer 25/32 x 1 -1/8 x 16 Ga
17	812 00 00-34	Ring, Klip
18	532 10 68-88	Spring, Brake Rod
19	873 22 06-00	Nut, Hex, Jam 3/8-16 UNC
20	873 68 06-00	Locknut, Hex w/Washer Insert 3/8-16 UNC
21	532 13 14-60	Rod, Rear Brake
22	532 12 73-78	Trunnion, Lift
23	873 68 06-00	Nut, Crownlock 3/8-16 UNC
24	734 11 74-41	Washer 13/32x1-1/4x12Ga
25	532 12 49-61	Spring, Retainer
26	873 68 06-00	Nut, Centerlock 3/8-1 6 UNC
27	532 12 73-69	Link, Threaded
28	532 12 73-58	Assembly, Rear Mower Lift
29	872 11 05-06	Bolt, Carriage 5/16-18 UNC x 3/4
30	873 68 05-00	Nut, Keps 5/16-16 UNC

HARDWARE SHOWN LARGER FOR EASIER IDENTIFICATION

REPAIR PARTS

GROUND DRIVE

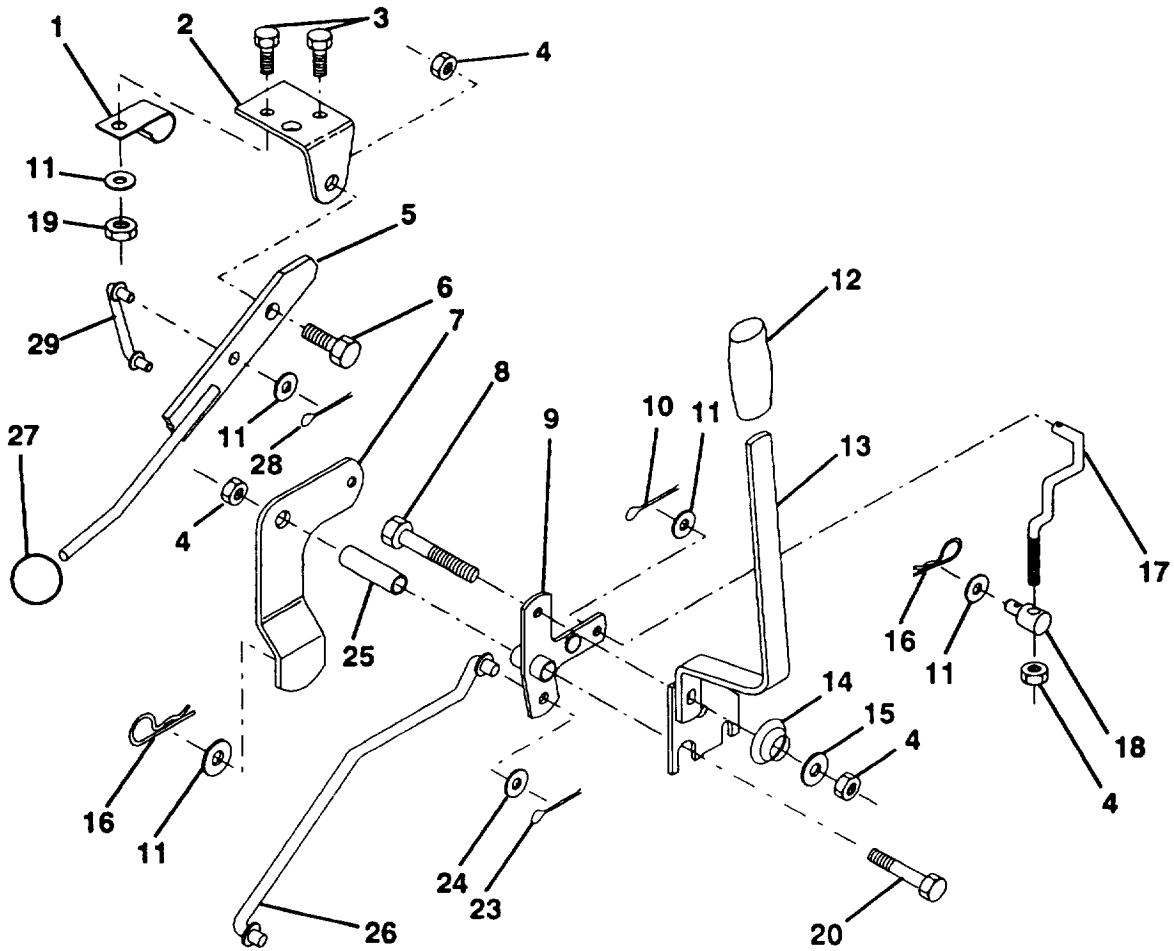


KEY PART NO.	NO.	DESCRIPTION	KEY PART NO.	NO.	DESCRIPTION
1	873 68 05-00	Nut,Crownlock5/16-18	13	734 11 72-01	Washer13/32x13/16x16Ga
2	874 78 05-12	Bolt, Hex Hd 5/16-18 UNC x 3/4	14	873 68 06-00	Nut, Centerlock 3/8-16 UNC
3	532 13 12-05	Keeper, Mower Drive, RH	15	873 68 06-00	Nut, Crownlock 3/8-16 UNC
4	532 13 48-28	Pulley, Engine	16	532 12 64-71	Clip, Insulated
5	810 04 07-00	Washer, Lock 7/16	17	532 12 20-52	Spacer, Retainer
6	871 17 07-44	Bolt, Fin Hex 7/16-20	18	532 13 14-59	Spring Extension
7	532 12 65-20	Traction,V-BeltDrive	19	873 68 05-00	Nut,Keps5/16-18UNC
8	532 12 34-05	Keeper, T/A Ground Drive Belt	20	532 12 38-91	Keeper, T/A Ground Drive Belt
9	872 14 06-12	Bolt, Carr, 3/8-16 UNC x 1-1/2	21	734 11 63-01	Washer 11/32 x 5/8 x 16 Ga
10	532 12 33-96	Keeper, Belt Ground Drive Idler	22	532 12 34-04	Keeper, Frame Ground Drive Belt
11	532 12 33-95	Arm, Ground Drive Clutch	23	532 13 12-04	Keeper, Mower Drive, LH
12	532 12 36-74	Idler, Flat			

HARDWARE SHOWN LARGER FOR EASIER IDENTIFICATION

REPAIR PARTS

MOWER LIFT LEVER

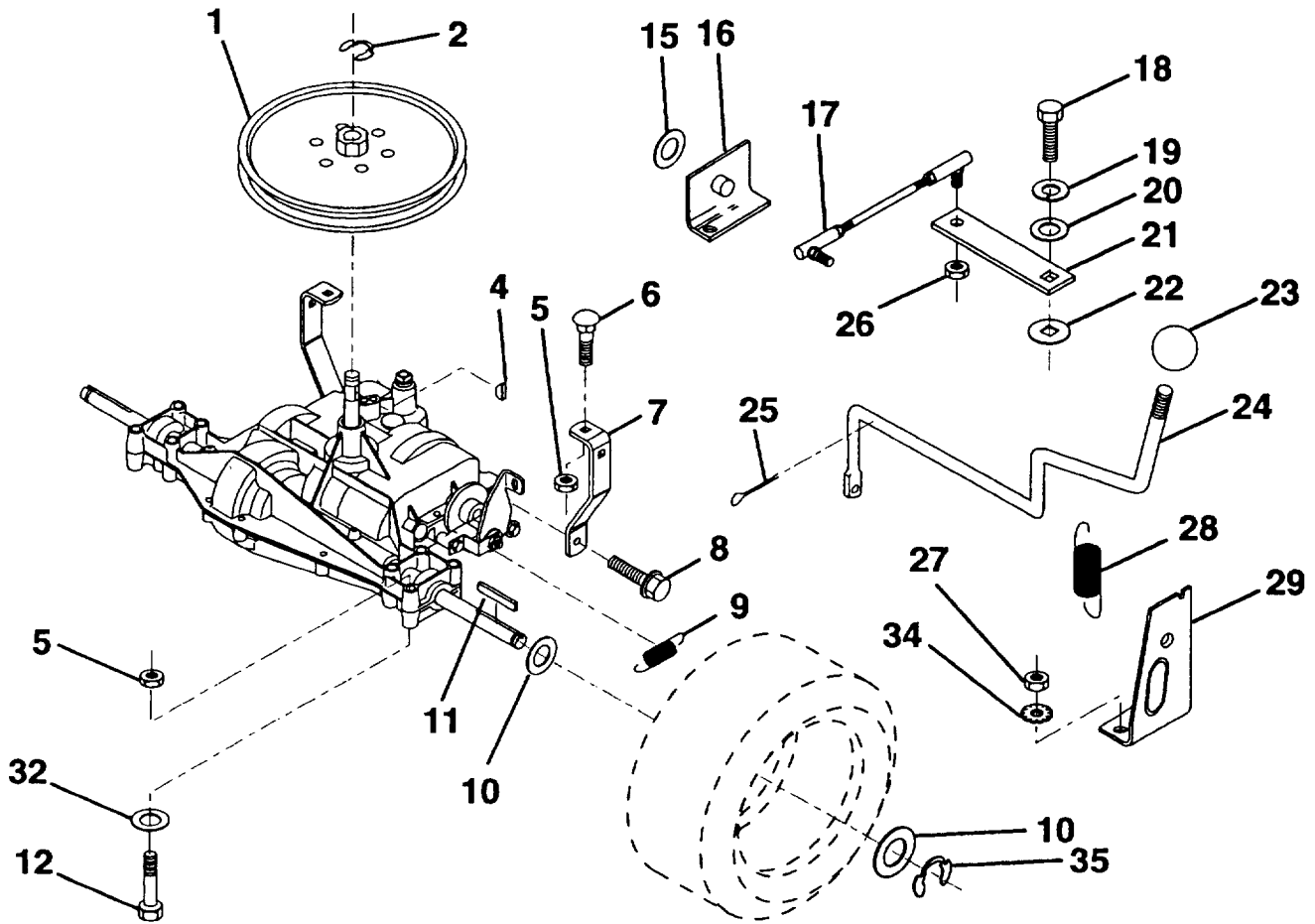


KEY PART NO.	PART NO.	DESCRIPTION	KEY PART NO.	PART NO.	DESCRIPTION
1	532 12 64-70	Clip, Insulated	15	734 11 72-01	Washer 13/32 x 3/4 x 12 Ga
2	532 12 20-18	Bracket, MowerClutch	16	532 12 49-61	Retainer, Spring
3	874 78 04-08	Bolt, Fin Hex 1/4-20 UNC x 112 Gr. 5	17	532 12 73-59	Link, Front Lift
4	873 68 06-00	Nut, Crownlock 318-16 UNC	18	532 13 32-05	Trunnion, Threaded 3/8-16
5	532 12 34-17	Assembly, Clutch Lever	19	873 68 04-00	Nut, Crownlock 114-20
6	532 10 64-51	Bolt, Shoulder	20	874 76 06-44	Bolt, Fin Hex 318-16 UNC x 2-3/4
7	532 13 53-71	Assembly, Mower Clutch Arm	23	876 02 04-16	Pin, Cotter 1/8 x 1
8	874 76 06-36	Bolt, hex 3/8-16 UNC x 2-1/4	24	734 11 78-01	Washer 17/32 x 1 x 16 Ga
9	532 12 19-30	Assembly Bracket Lift	25	532 12 19-33	Tube, Spacer
10	876 02 04-12	Pin, Cotte; 1/8 x 3/4	26	532 12 19-34	Rod, Mower Lift
11	734 11 72-01	Washer 13/32 x 13/16 x 16 Ga	27	532 10 69-32	Knob
12	532 12 20-27	Grip, Handle	28	876 02 03-12	Pin, Cotter 3/32 x 3/4
13	532 12 70-28	Assembly, Lift Handle	29	532 13 16-55	Link, MowerClutch
14	532 12 34-96	Spring, Compression			

HARDWARE SHOWN LARGER FOR EASIER IDENTIFICATION

REPAIR PARTS

TRANSAXLE



**KEY PART
NO. NO.**

DESCRIPTION

1	532 12 33-85	Pulley
2	812 00 00-28	Ring, Retainer
4	532 12 50-96	Key, Woodroff #9
5	873 68 05-00	Nut, Crownlock 5/16-18
6	872 14 05-06	Bolt, Carriage 5/16-18 UNC x 3/4
7	532 12 33-78	Strap, Torque
8	874 78 05-12	Screw 5/16-18 x 3/4
9	532 11 04-22	Spring, Brake
10	532 12 17-49	Washer 25/32 x 1-1/4 x 16 Ga
11	532 12 35-83	Key Square
12	874 76 05-40	Bolt Fin Hex 5/16-18 x 2-1/2
15	734 11 78-01	Washer 17/32x1x16Ga
16	532 12 46-00	Support, Handle Shift LH
17	532 12 62-93	Link, Shift

**KEY PART
NO. NO.**

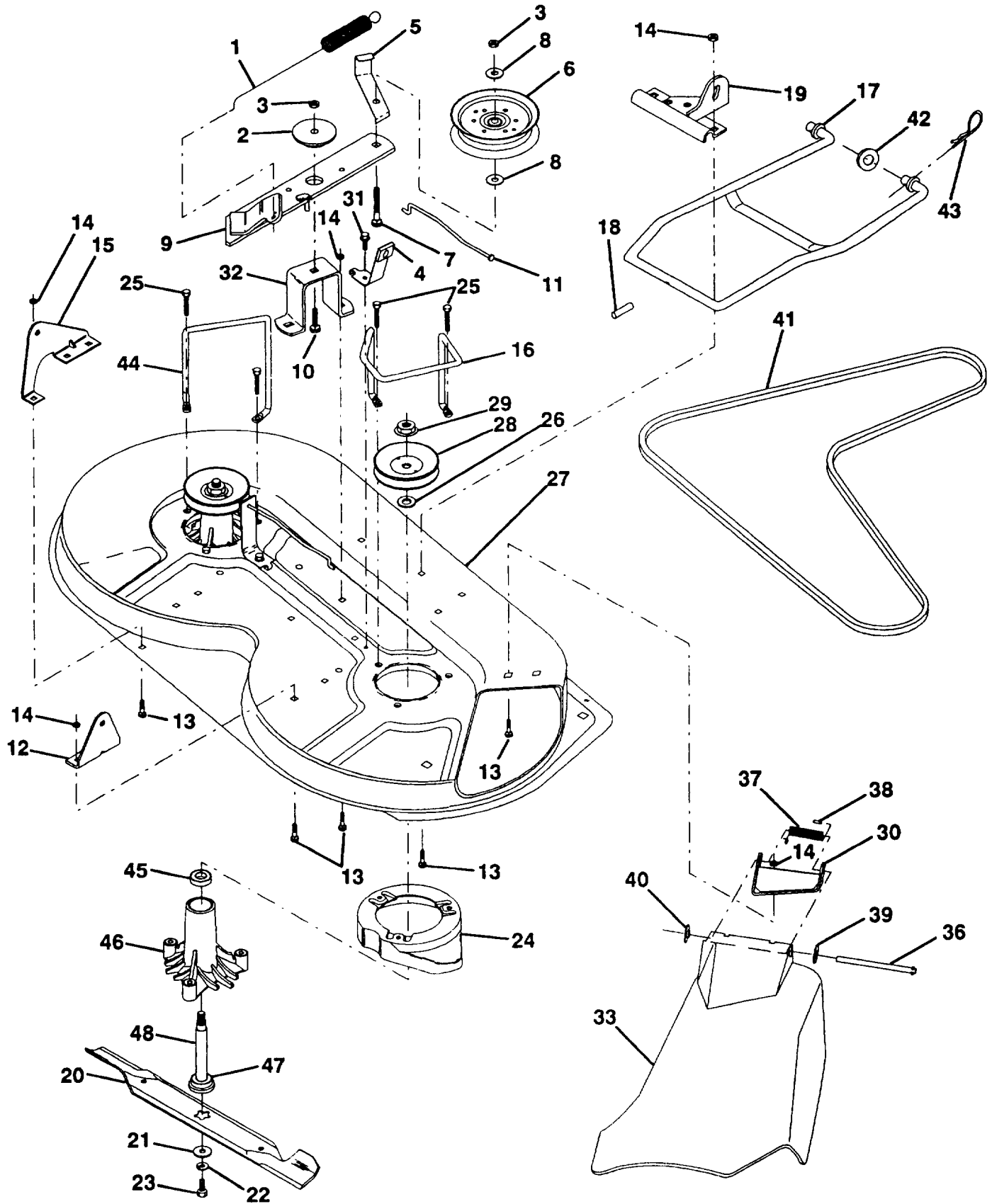
DESCRIPTION

18	871 04 04-12	Bolt, Fin Hex 174-28 UNFx3/4Gr.5
19	810 04 04-00	Washer, Lock 1/4
20	734 11 54-41	Washer 9/32 x 3/4 x 10 Ga
21	532 12 62-92	Arm, Shift
22	532 10 57-01	Washer, Shift Plate
23	532 10 69-33	Knob, Shift Control
24	532 12 82-15	Shift Rod
25	876 02 04-16	Pin, Cotter 1/8 x 1
26	873 61 05-00	Nut, hex Nylon
27	873 68 05-00	Nut, Keps 5/16-18
28	532 12 80-85	Extension, Spring
29	532 12 80-84	Support, Handle Shift RH
32	734 11 63-01	Washer 11/32x11/16x16Ga
34	810 04 05-00	Washer External Tooth 5/16
35	812 00 00-01	E-Ring

HARDWARE SHOWN LARGER FOR EASIER IDENTIFICATION

REPAIR PARTS

MOWER DECK



REPAIR PARTS

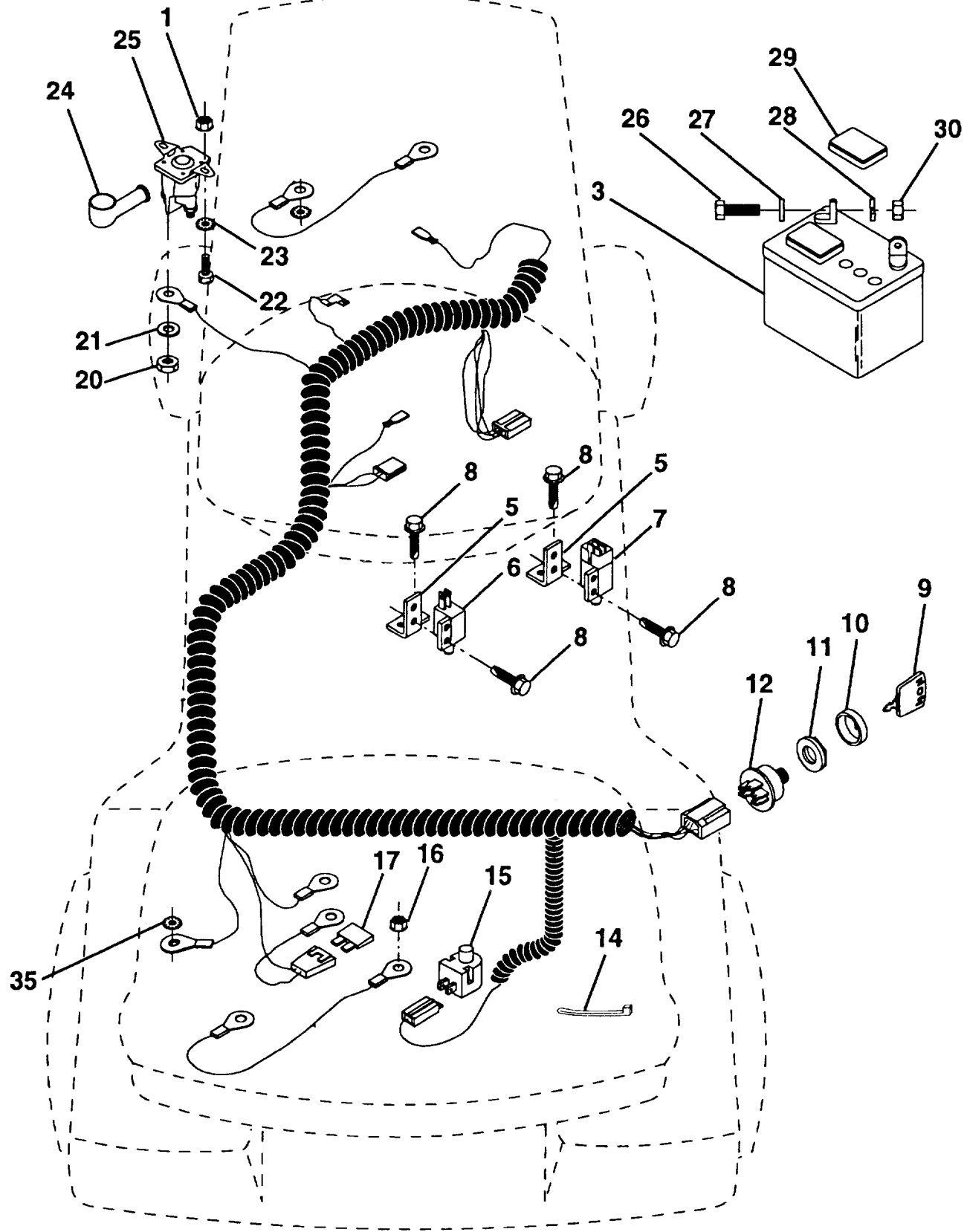
MOWER DECK

KEY PART NO. NO.	DESCRIPTION	KEY PART NO. NO.	DESCRIPTION
1	532 12 77-43	26	532 12 99-63
2	532 12 20-52	27	532 12 99-83
3	873 68 06-00	28	532 12 92-07
4	532 13 08-40	29	873 04 09-00
5	532 13 12-51	30	532 13 66-31
6	532 12 13-16	31	817 49 05-08
7	872 11 06-16		
8	734 11 72-01	32	532 12 20-51
9	532 12 77-44	33	532 13 15-60
10	872 11 06-08	36	532 12 19-80
11	532 13 08-41	37	532 12 37-13
12	532 12 73-56	38	532 10 53-04
13	872 14 05-05	39	734 11 63-01
14	873 68 05-00	40	532 11 04-52
15	532 12 73-57	41	532 13 12-64
16	532 13 08-37	42	734 11 78-01
17	532 12 85-08	43	532 12 46-60
18	532 12 85-11	44	532 13 08-36
19	532 12 73-80	45	532 11 04-85
20	532 13 74-15	46	532 12 87-74
21	532 12 99-62		532 13 07-94
22	810 04 06-00	47	532 12 98-95
23	532 85 08-57	48	532 13 31-72
24	532 12 89-61		

HARDWARE SHOWN LARGER FOR EASIER IDENTIFICATION

REPAIR PARTS

ELECTRICAL



REPAIR PARTS

ELECTRICAL

KEY PART NO.	PART NO.	DESCRIPTION	KEY PART NO.	PART NO.	DESCRIPTION
1	873 68 04-00	Nut, Hex Keps 1/4-20	21	810 04 04-00	Washer, Lock 1/4
3	532 12 38-88	Battery	22	874 78 04-08	Bolt, Fin Hex 1/4-20 UNCx1/2Gr.5
5	532 10 82-36	Bracket, Switch	23	810 04 04-00	Washer, Lock Ext. Tooth 1/4
6	532 10 44-45	Switch, Interlock (2-terminal)	24	532 13 15-63	Cover, Terminal
7	532 10 95-53	Switch, Interlock (4-terminal)	25	532 10 99-46	Solenoid
8	817 02 10-08	Screw, Hex Hd. Tap #10-24 x 1/2	26	874 76 04-12	Bolt, Hex Hd. 1/4-20 UNC x 3/4
9	516 84 46-00	Key, Molded	27	734 11 53-01	Washer 9/32 x 5/8 x 16
10	532 12 36-20	Cover, Key Ignition	28	810 04 04-00	Washer, Lock 1/4
11	532 12 42-11	Nut, Ignition	29	532 12 12-64	Cap, Battery
12	532 12 51-04	Switch, Ignition	30	873 22 04-00	Nut, Fin Hex 1/4-20 UNC
14	532 12 47-56	Tie, Cable	35	810 04 06-00	Washer, Lock Ext. Tooth 3/8
15	532 12 13-05	Switch, Plunger			
16	873 68 05-00	Nut, Hex, Keps 5/16-18			
17	532 10 88-24	Fuse			
20	873 22 04-00	Nut, Hex Jam 1/4-20			

NOTE: All component dimensions given in U.S. inches
1 inch = 25,4 mm

HARDWARE SHOWN LARGER FOR EASIER IDENTIFICATION