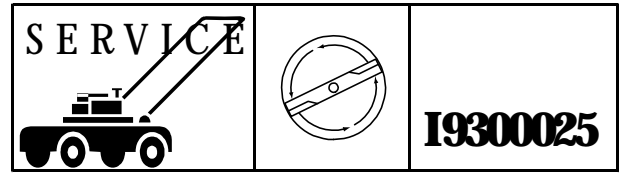


**Jonsered**



IPL, YTH16 42", 1993-01

# YTH16 42"

**Spare parts**

**Ersatzteile**

**Pièces détachées**

**Reserve onderdelen**

**Repuestos**

**Reservdelar**



# REPAIR PARTS

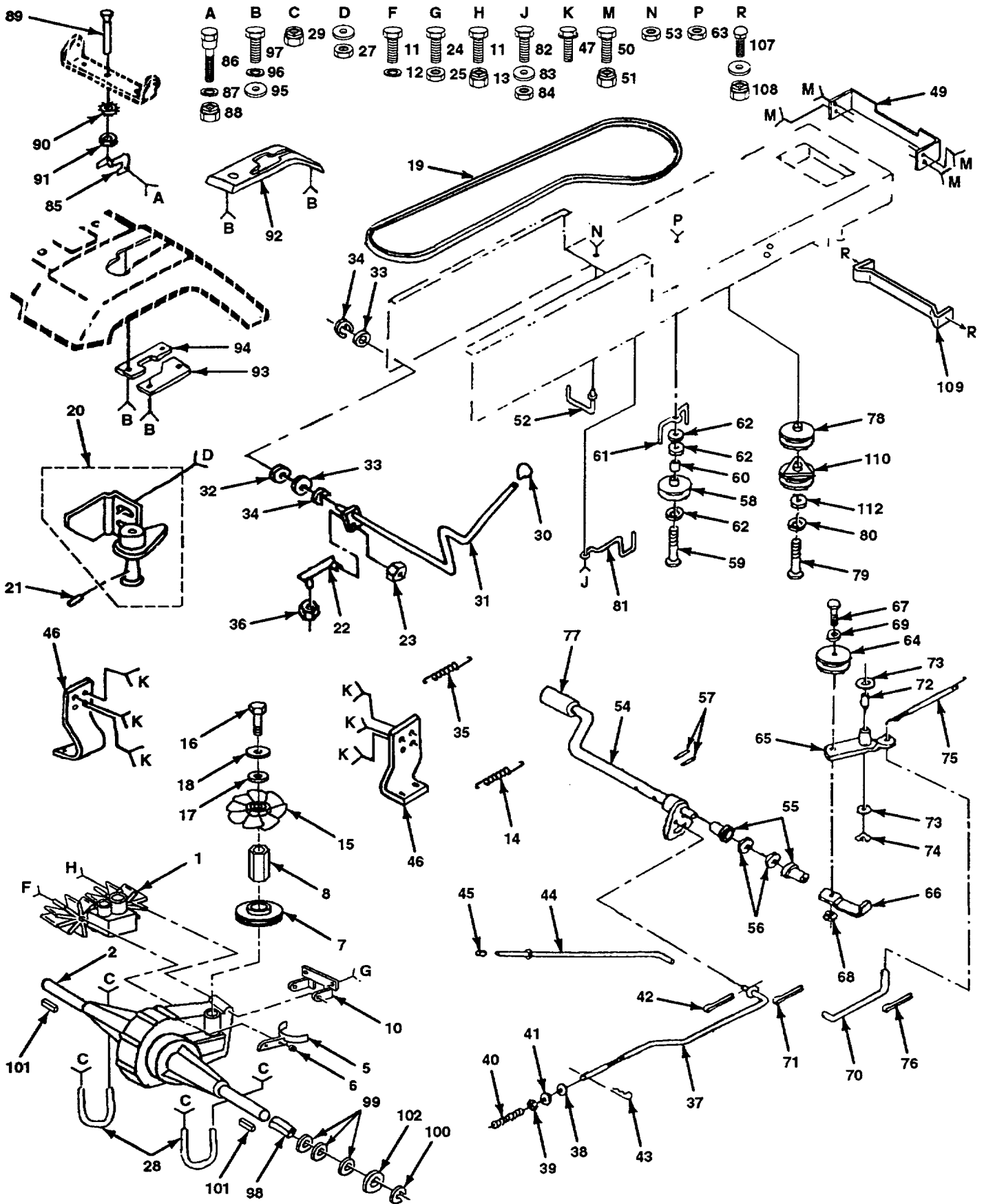
## ENCLOSURES

KEY PART NO.	PART NO.	DESCRIPTION	KEY PART NO.	PART NO.	DESCRIPTION
1	810 04 04-00	Washer, Lock 1/4	56	874 76 05-32	Bolt, Hex 5/16-18 x 2" Grade 2
2	810 04 06-00	Washer, Lock Ext. Tooth 3/8	57	873 68 05-00	Nut, Keps 5/16-18
3	532 13 83-24	Panel, Side, L.H.	58	532 13 66-19	Assembly, Bracket, Fender
5	532 12 42-52	Dashboard	59	874 18 05-12	Screw, Truss Head 5/16-18 x 3/4
6	532 10 47-83	Dash, Lower	60	874 76 04-12	Screw, Hex Washer, Head 1/4-20 x 3/4
7	873 68 04-00	Nut, Hex Keps 1/4-20 UNC	64	874 78 06-16	Bolt Hex 3/8-16 x 7/8
9	532 12 41-30	Support, Dash	65	872 11 06-06	Bolt, Carriage 3/8-16x3/4
11	532 12 17-94	Cover Access	66	532 10 82-56	Pad, Footrest
12	532 10 67-84	Assembly Strap, Hinge, Rear	67	874 19 10-08	Screw, Cross Recess Pan Head Machine #10-24 x 1/2
13	532 10 46-18	Assembly Strap, Hinge, Front	68	810 07 10-00	Washer, Lock#10
14	532 13 83-22	Hood	69	532 12 50-04	Nut, Weld
15	532 12 43-92	Assembly, Bezel	70	532 10 98-08	Latch, Hood
16	532 10 63-95	Lens	71	874 98 10-20	Screw, Machine Cross Recess #10-24 x 1 -1/4
18	532 13 17-16	Assembly, Grill	72	532 00 72-06	Spacer, Split 10 x 3/4
19	532 13 83-25	Strap, Grill	73	873 27 10-00	Nut, Keps 10-24
20	532 12 12-36	Spacer Split	77	734 11 46-01	Washer 7/32x1/2x18Ga.
22	532 13 83-23	Panel, Side, R.H.	79	532 12 64-71	Clip, Insulator
23	532 13 69-70	Panel, Dash, R.H.	80	874 78 06-16	Bolt, Hex 3/8-16 x 1
26	532 13 72-75	Drawbar	84	734 11 63-01	Washer 11/32x11/16x16Ga.
31	734 11 54-41	Washer 9/32x3/4x16Ga.	87	734 11 72-01	Washer 13/32 x3/4 x10 Ga.
32	532 12 69-71	Clip, Insulated	95	532 12 31-98	Nut, Wing 14-20
35	873 68 05-00	Nut, Crownlock 5/16-18UNC	99	532 10 50-37	Strip Foam
36	532 13 40-14	Plug, Dome	104	734 11 53-01	Washer, 9/32 x 3/8 x 16 Ga.
40	873 22 04-00	Nut, Hex 1/4-20	105	532 13 26-44	Rab, Grill
41	874 78 06-12	Bolt, Hex 3/8-16 x 3/4	107	532 13 47-74	Bracket, Asm. Pivot L.H., Mower, Rear
42	734 11 72-01	Washer 13/32 x 1 3/16 x 3/4	108	532 13 47-75	Bracket, Asm. Pivot R.H., Mower Rear
43	873 68 06-00	Nut, Crownlock 3/8-16	109	872 11 06-08	Bolt, Carriage 3/8-16 x 1
45	817 21 10-10	Screw, Hex Wsh. Hd. Tap. #10-16 x 5/8	112	873 68 06-00	Nut Lock Hex W/Wsh 3/8-16
46	532 10 47-55	"J" Fastener			
47	874 78 06-12	Screw, Hex Washer Head, Thread Rolling 3/8-16 x 2/4 Type TT			
48	874 78 05-12	Screw, Hex Washer Head, Thread Rolling 5/16-18 x 3/4 Type TT			
50	873 68 04-00	Nut, Crownlock 1/4-20			
53	817 49 06-08	Screw, Hex Washer Head, Thread Forming 3/8-16 x 1/2 Type TT			

**NOTE:** All component dimensions given in U.S. inches.  
1 inch = 25,4 mm

# REPAIR PARTS

## DRIVE



# REPAIR PARTS

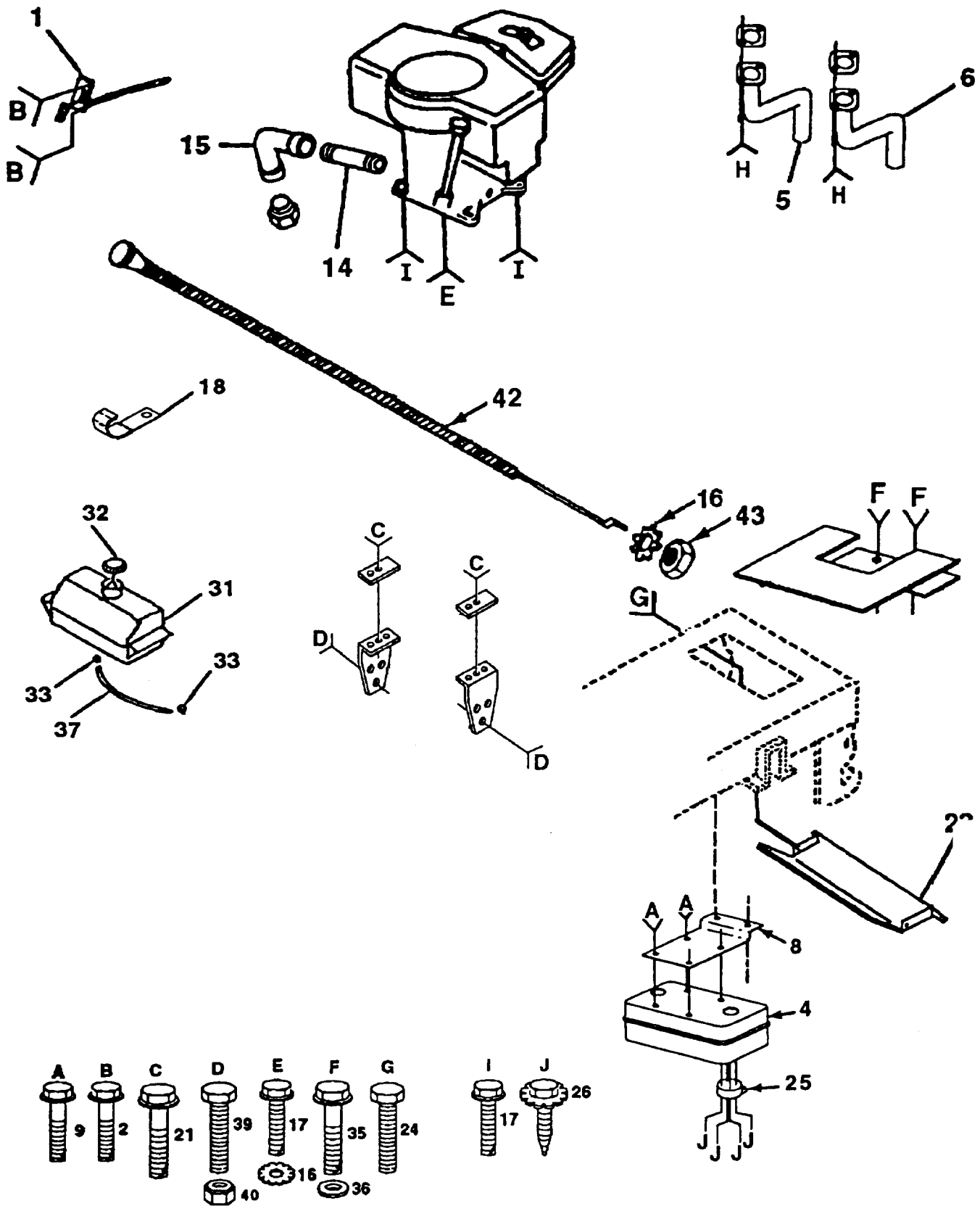
## DRIVE

KEY NO.	PART NO.	DESCRIPTION	KEY NO.	PART NO.	DESCRIPTION
1	532 12 14-30	Sunstrand Pump, Hydro	58	532 12 36-74	Pulley, Idler, Flat
2	532 12 14-31	Transaxle Assembly	59	874 76 06-44	Bolt, hex 3/8-16 UNC x 2-.3/4
5	532 12 65-81	Belt Keeper, Transaxle	60	532 00 44-70	Spacer, Split
6	873 68 04-00	Nut, Crownlock 1/4-20 UNC	61	532 10 90-70	Keeper, Belt Retainer
7	532 12 65-79	Transaxle Pulley	62	734 11 72-01	Washer 13/32x13/16x12Ga.
8	532 12 12-11	Spacer, Stand-off, Transaxle Fan	63	873 68 06-00	Nut, crownlock 3/8-16UNC .
10	532 12 11-88	Bracket, Differential Mounting	64	532 12 77-83	Pulley, Idler, V-Groove
11	874 78 05-72	Bolt, Hex 5/16-18 UNC x 4 5 Gr. 5	65	532 12 37-89	bellcrank Assembly
12	810 04 05-00	Washer, Lock 5/16	66	532 12 32-05	Retainer Belt
13	873 68 05-00	Nut, Crownlock 5/16-18	67	874 78 06-24	Bolt, Hex 3/8-16UNCx1-1/2
14	532 11 04-22	Spring Return Brake	68	873 68 06-00	Nut, Crownlock 3/8-16 UNC
15	532 12 65-78	Fan, Transaxle Hydro 7"	69	734 11 72-01	Washer 13/32 x 13716 x 16 Ga.
16	874 76 04-12	Bolt, Hex 1/4-20 UNC x 75	70	532 10 57-10	Link, Clutch
17	819 09 20-16	Washer 9/32x1-1/4x16Ga.	71	876 02 04-12	Cotter Pin 1/8 x3/4
18	810 04 04-00	Washer, Lock, Hlc11/4	72	532 10 57-06	Nylon Bearing
19	532 13 75-89	V-Belt, Ground Drive	73	532 11 08-12	Washer, Hardened
20	532 12 69-12	Friction Pack Assembly	74	812 00 00-39	Ring, Klip #5304-50
21	532 12 66-55	Pin, Roll 198 x 866	75	532 10 57-09	Spring, Return, Clutch
22	532 13 73-28	Rod, Tie Hydro Stretch	76	876 02 04-12	Cotter Pin 1/8x 3/4
23	873 04 04-00	Nut, Hex, Flange 1/4.28 Unf	77	532 12 48-72	Cover Pedal
24	874 78 06-12	Bolt, Hex 3/8-16 UNC x 3/4	78	532 13 69-05	Pulley, Engine
25	873 68 06-00	Nut, Crownlock 3/8-16UNC	79	871 17 07-68	Bolt, Hex 7/16-20x4-1/4Gr.5
27	873 68 06-00	Nut, Crownlock 3/8-16 UNC	80	810 04 07-00	Washer, Lock, Hlc1 7716
28	532 12 11-89	U-Bolt 3/8-16x2 83	81	532 12 99-21	Keeper, Belt, Engine, LH
29	873 68 06-00	Nut, Crownlock 3/8-16 UNC	82	874 78 06-16	Bolt, Hex 3/8-16 UNC x 1
30	532 12 12-74	Knob 1/2-13	83	734 11 72-01	Washer 13/32 x 13/16x 12 Ga.
31	532 12 65-92	Control Lever Assembly	84	873 68 06-00	Nut, Crownlock 3/8-16 Un
32	532 12 65-90	Bushing, Transaxle	85	532 12 65-75	Arm, Control
33	532 12 65-91	Washer, Shim .53 x 1 25 x .0598	86	532 00 76-05	Bolt, Shoulder 1/4 x 20 UNC
34	812 00 00-03	E-Ring	87	532 11 07-39	Washer, Spring, Oiled
35	532 12 69-10	Spring Extension	88	873 68 04-00	Nut, Crownlock 1/4-20 UNC
36	873 04 04-00	Nut, Hex, Flange 1/4-28 Unf	89	532 13 38-36	Control, Bypass
37	532 13 76-30	Rod, Brake	90	810 04 06-00	Washer, Lock, Ext. Teeth 3/8
38	873 68 06-00	Locknut 3/8-16 UNC	91	873 61 06-00	Nut, Hex, Fin. 3/8-24 Unf
39	873 22 06-00	Nut Hex Jam 3/8-16 UNC	92	532 12 66-00	Console, Shift
40	532 10 68-88	Spring, Brake Rod	93	532 12 65-97	Plate, Neutral Adjust, RH
41	374 11 72-01	Washer 13/32 x 13/16x 16 Ga.	94	532 12 65-98	Plate, neutral Adjust, LH
42	532 00 49-21	Retainer Spring	95	734 11 54-41	Washer 9/32 x 3/4 x 16 Ga.
43	532 12 47-88	Retainer Spring	96	810 04 04-00	Washer, Lock, Hlc1/4
44	532 13 32-61	Rod, Parking Brake	97	874 78 04-08	Bolt, Hex 1/4-20 UNCx 1/2
45	532 07 16-73	Cap, Parking Brake	98	532 12 11-99	Spacer, Split
46	532 13 69-22	Bracket, Transaxle	99	532 12 17-49	Washer 25/32x1 1/4x16Ga.
47	874 78 06-16	Screw, Thd., Roll. 3/8-16 x 1 Ty-tt	100	812 00 00-01	E-Ring #5133-75
49	532 13 83-07	Bracket, Mounting	101	532 12 35-83	Key, Square
50	872 11 06-06	Bolt, Carriage 3/8-16 x 3/4	102	532 12 17-48	Washer 25/32 x 1 -5/8 x 16 Ga.
51	873 68 06-00	Nut, Crownlock 3/8-16 UNC	107	872 14 05-06	Bolt Carriage 5/16-18 x 3/4
52	532 12 65-77	Keeper, Center Span	108	873 68 05-00	Nut, Crownlock 5/16-18
53	873 68 06-00	Nut, Crownlock 3/8-16 UNC	109	532 13 71-41	Bracket, Asm. Clutch
54	532 12 24-24	Shaft, Foot Pedal	110	532 13 71-40	Clutch Electric
55	532 12 01-83	Bearing, Nylon	112	532 12 61-97	Washer 1-1/20Dx15/321Dx.250
56	734 11 85-71	Washer 21/32 x 1 x 16 Ga.			
57	532 00 28-82	Pin Roll 3/16 x 1			

**NOTE:** All component dimensions given in U.S. inches.  
1 inch = 25.4 mm

# REPAIR PARTS

## ENGINE



# REPAIR PARTS

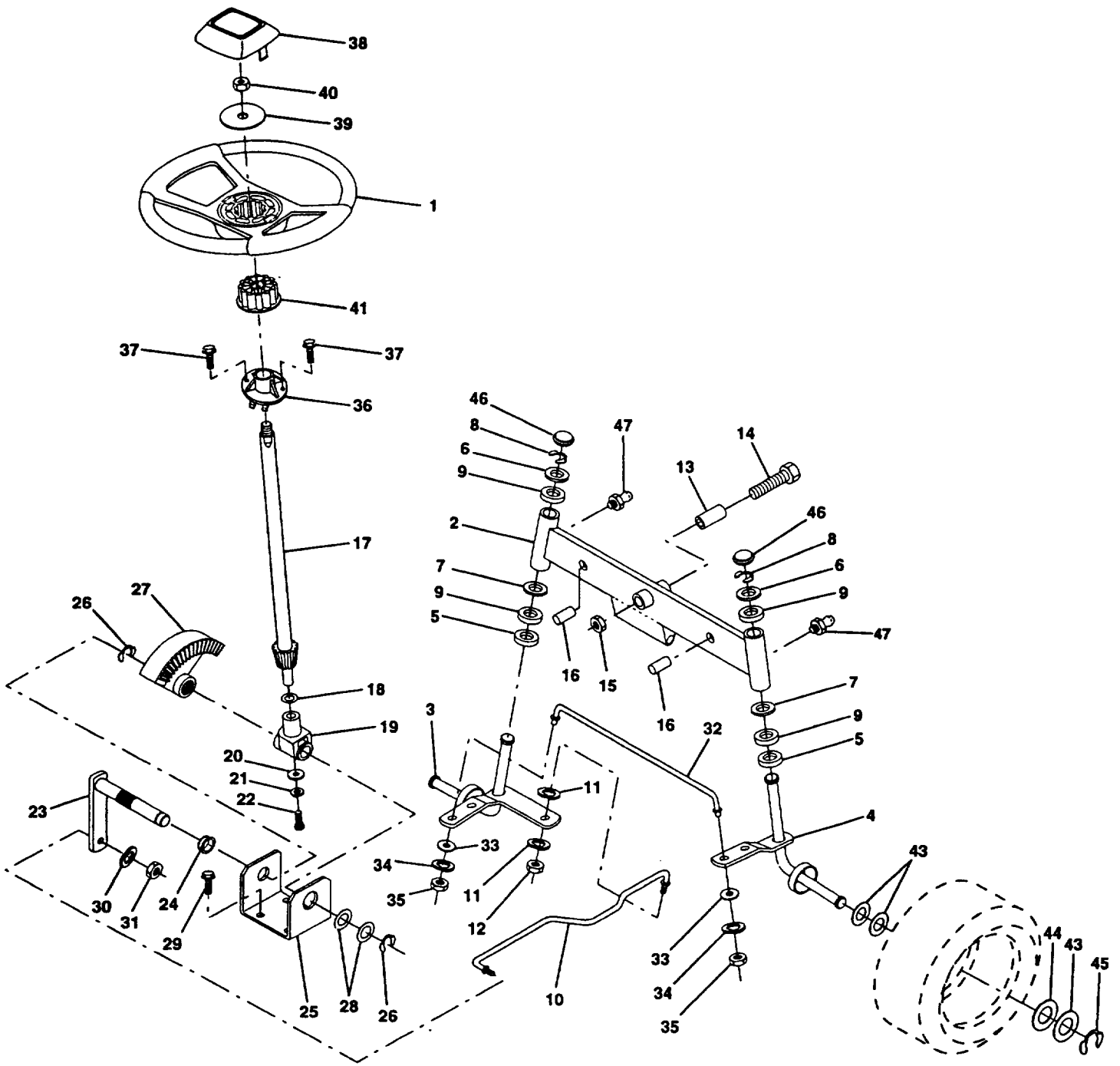
## ENGINE

KEY NO.	PART NO.	DESCRIPTION
1	532 13 27-48	Control Throttle RH Blk Flg 44 75
2	874 78 04-10	Screw Hex Thd Cut 1/4-20 x 5/8 T
4	532 12 24-40	Muffler LT B&S
5	532 12 24-34	Tube Manifold LH
6	532 12 24-35	Tube Manifold RH
8	532 12 24-39	Bracket Muffler Mounting
9	874 78 04-08	Screw Hex Wsh Thd Cut 1/4-20
14	813 28 03-36	Nipple Pipe 3/8 Npt x 4-1/2"
15	813 20 03-00	Elbow Std 90 Degree 3/8-18 Npt
16	810 04 06-00	Washer Lock Ext Tooth 3/8
17	874 78 06-20	Screw Thdrol 3/8-16x 1-1/4
18	532 00 27-51	Clip Fuel Line
21	874 78 06-12	Screw Hex Wsh. Thdrol. 3/8-16 x 3/4
23	532 12 89-53	Shield Heat Browning LT/YT
24	817 02 10-08	Screw Tap Hex #10-24 UNC x 1/2
25	532 10 13-26	Deflector Muffler
26	817 03 08-08	Screw Spiderlock Hex Hd #8 x 1/2
31	532 10 92-02	Tank Fuel Front 1 25
32	532 12 35-49	Cap Asm Fuel W/sym Vented
33	532 12 34-87	Clamp Hose Blk
35	874 78 05-12	Screw Thdrol 5/16-18 x 3/4
36	734 11 74-41	Washer 13/32 x 1 -1 /4 x 12 Ga.
37	532 00 85-42	Line Fuel 38.50"
39	874 76 60-12	Bolt Hex 3/8 x 3/4
40	873 68 06-00	Nut Crownlock 3/8-16
42	532 13 27-81	Choke Control
43	873 61 06-00	Nut, Fin Hex 3/8-2 4 Unf

**NOTE:** All component dimensions given in U.S. inches.  
1 inch = 25,4 mm

# REPAIR PARTS

## STEERING ASSEMBLY





# REPAIR PARTS

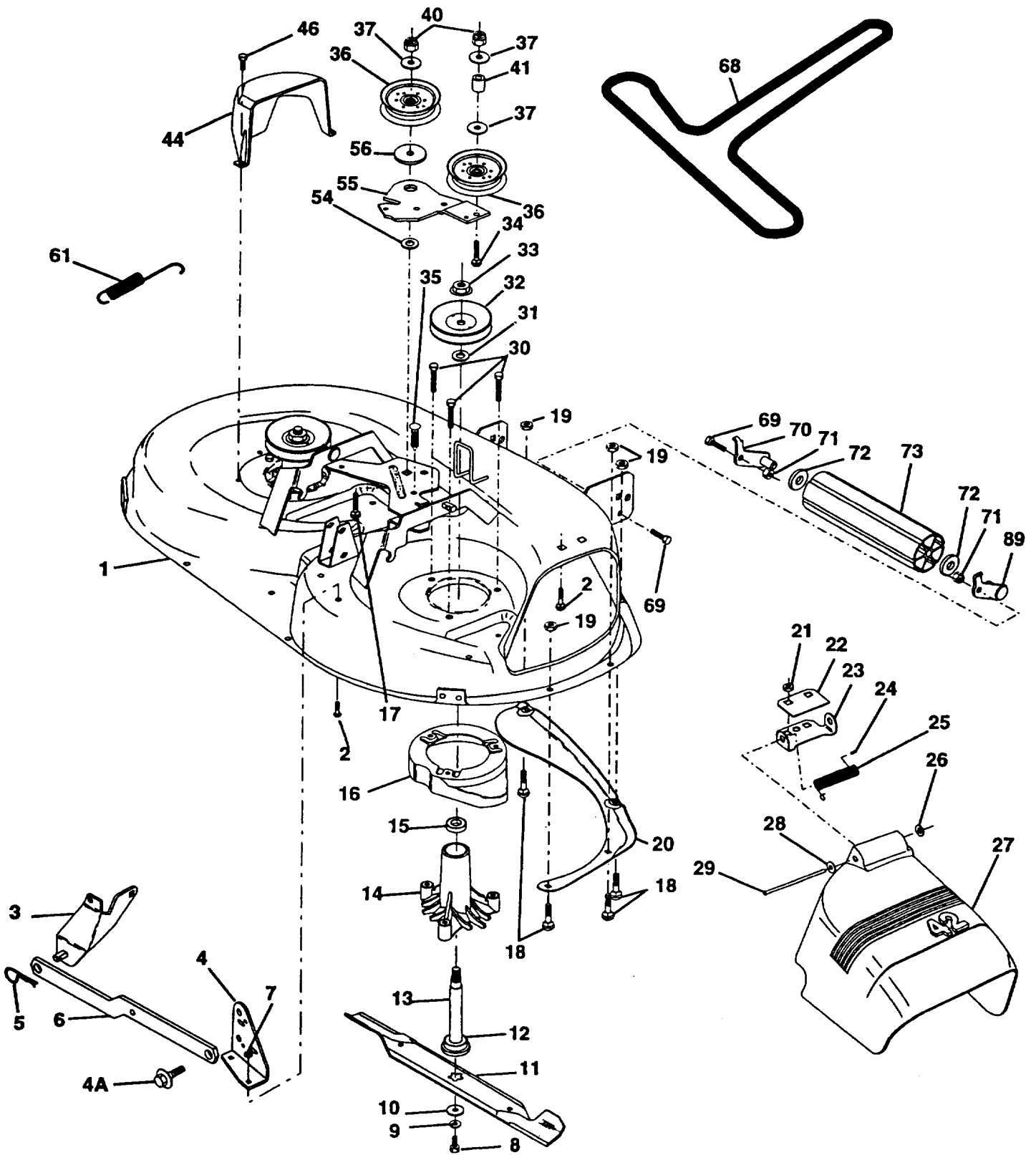
## STEERING ASSEMBLY

KEY NO.	PART NO.	DESCRIPTION
1	532 12 14-72	Wheel Steering
2	532 13 39-88	Axle Asm Fr LT W/gzks 38/42
3	532 13 52-27	Spindle ksm LH
4	532 13 52-28	Spingle Asm RH
5	532 12 49-31	Bearing Race Thrust Harden
6	532 12 17-48	Washer 25/32 x 1 -5/8 x 16 Ga.
7	819 27 20-16	Washer 27/32 x 1 -1/4 x 16 Ga.
8	812 00 00-29	Ring Klip #5304-75
9	532 00 33-66	Bearing Col Strg
10	532 13 04-68	Link Drag Sol Ball Jt
11	810 04 06-00	Washer Lock Hvy Hlcl Spr 3/8
12	873 61 06-00	Nut Fin 3/8-24 Unf
13	532 11 04-38	SpacerBearingAxle Front
14	874 01 10-56	BoltHex5/8-11 UNCx3-1/2
15	873 68 10-00	Nut Lock Flange5/8-11 UNC
16	532 13 26-24	Pin Axle 5/8 x 1 55/1 54 Lg
17	532 12 87-58	Shaft Asm Strg 18 31.3/4
18	532 05 70-79	Washer Thrust 515 x 750 x 033
19	532 12 40-35	Suport Shaft
20	532 12 66-84	Washer Shim 1/4 x 5/8 x 062
21	810 04 04-00	Washer Lock Hvy Helical 1/4
22	871 07 04-10	Screw Hex Socket 1/4-20 x 5/8
23	532 12 75-01	Shaft Asm Pittman
24	532 10 98-16	NylinerSnap In
25	532 12 40-36	Bracket Steering
26	812 00 00-29	Ring Klip #5304-75
27	532 13 68-74	Gear Sector
28	532 12 49-31	Bearing Race Thrust Harden
29	874 78 06-12	Screw Thdrol 3/8-16 x 3/4 Ty-tt
30	810 04 06-00	Washer Lock Hvy Hlcl 3/8
31	873 61 06-00	Nut Fin Hex 3/8-24 Unf
32	532 13 04-67	Rod Tie Wire Form
33	734 11 63-01	Washer 11/32 x 12/16 x 16 Ga.
34	810 04 05-00	Washer, Lock, Hvy Hlcl Spr 5/16
35	873 61 05-00	Locknut 5/16-24 Unf
36	532 12 47-20	Bushing Link Drag
37	817 21 10-08	Screw Slftp #10-16 x 1/2 Ty-b
38	532 12 68-05	Insert Cap Strg Wh Aut
39	532 10 07-12	Washer 53 x 2 25 x 160
40	873 61 08-00	Nut Hex Jam Taplock 1/2-20 Unf
41	532 10 07-11	Adapter Wheel Strg
43	532 12 17-49	Washer 25/32 x 1 1/4 x 16 Ja
44	532 12 17-48	Washer 25/32 x 1-5/8 x 16 Ja
45	812 00 00-29	Ring Klip #5304-75
46	532 12 12-32	Cap Spindle Fr Top
47	532 12 48-36	Fitting Grease

NOTE: All component dimensions given in U.S. inches.  
1 inch = 25,4 mm

# REPAIR PARTS

42" MOWER



# REPAIR PARTS

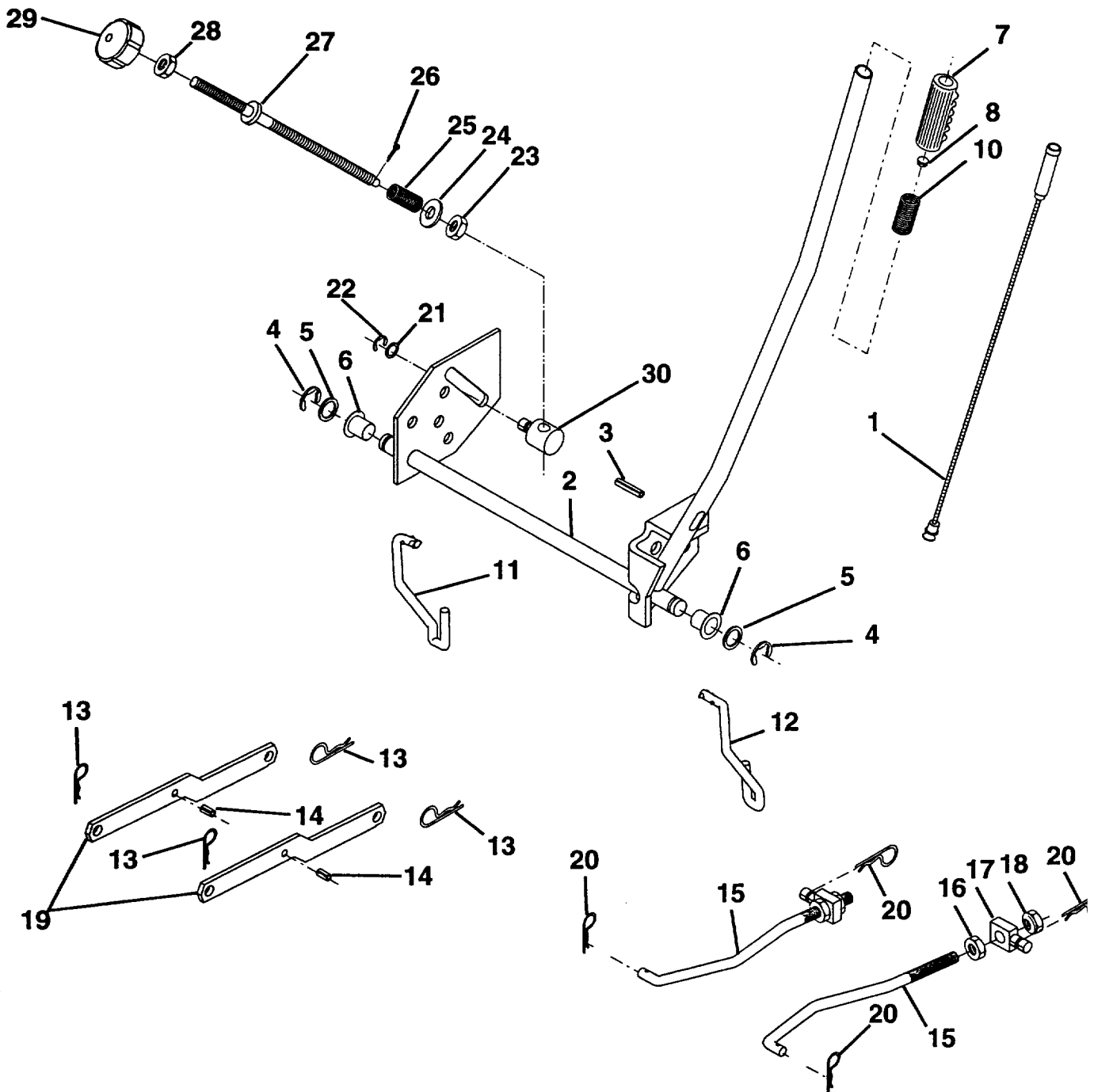
## 42" MOWER

KEY NO.	PART NO.	DESCRIPTION	KEY NO.	PART NO.	DESCRIPTION
1	532 13 80-24	Deck Asm MWR 42"weldment	31	532 12 99-63	Washer Spacer Mower Vented
2	872 14 05-06	Bolt Rdhd Sqnk 5/16-18 UNC x 3/4	32	532 12 98-61	Pulley Mandrel 42"
3	532 13 80-17	Bracket Asm Fr Sway Bar 38/42	33	532 13 72-66	Nut 9/16top Lock Flng Oil Dip
4	532 13 84-40	Bracket Asm Deck 42"sway Bar	34	872 11 06-22	Bolt Rdhd 3/8-1 6 UNC x 1 -3/4 Gr5
4A	532 13 28-27	Bolt Shoulder	35	532 13 38-35	Fastner Christmas Tree
5	532 12 46-70	Retainer Spring	36	532 13 14-94	Pulley Idler Flat 3 060
6	532 13 08-32	Arm Suspension Rear	37	734 11 72-01	Washer13/32x1x12Ga.
7	873 80 05-00	Locknut-hex W/ins 5/16-18 UNC P	40	873 68 06-00	Nut Crownlock 3/8-16 UNC
8	532 85 08-57	Bolt 3/8-24 x 1 25 Gr8 Patched	41	532 13 28-23	Spacer Spring Stop Idler
9	810 04 06-00	Washer Lock Hvy 3/8 Unplated	44	532 13 42-36	Guard Mandrel LH Black
10	532 12 99-62	WasherHard Blade MowerVented	46	532 13 77-29	ScrewThdrol 1/4-20x5/8
11	532 13 84-98	Blade Mower High Perf 42"	54	532 13 39-43	Washer Hardened
12	532 12 98-95	Bearing Ball #6204 (Mandrel)	55	532 13 38-44	Arm Idler 42"mower LT/YT
13	532 13 76-45	Shaft Asm W/lower Bearing	56	532 12 20-52	Spacer Retainer Pm Mower
14	532 12 87-74	Housing Mandrel Vented(machd)	61	532 13 19-50	Spring Return
15	532 11 04-85	BearingBallMandrel	68	532 13 09-69	V-BeltMower42"9240
16	532 13 69-29	Stripper Mower Vented	69	874 78 06-16	Bolt Fin Hex 3/8-16 UNC x 1
17	872 11 06-16	BoltRdhdSqnk3/8-16x2	70	532 13 22-74	BracketAsmNoserollerLH
18	872 14 05-05	Bolt Carr 5/16-18 x 5/8 Short	71	873 68 06-00	Nut Crownlock 3/8-16 UNC
19	873 80 05-00	Locknut-hex W/ins 5/16-18 UNC P	72	819 17 14-16	Washer 17/32 x 7/8 x 16 Ga.
20	532 13 68-88	Baffle Vortex 42	73	532 13 22-64	Roller Nose 38 & 42
21	873 68 05-00	Nut Crown Lock 5/16-18	89	532 13 22-73	Bracket Asm Noseroller RH
22	532 13 47-53	Stiffener Bracket 42"deck	--	532 13 07-94	Mandrel assembly (Includes Key Numbers 8-10, 12-15. 31 and 33)
23	532 13 12-67	Bracket Deflector Mower 42"			
24	532 10 53-04	Cap Sleeve 80 x 112 Blk Mower			
25	532 12 37-13	Spring Torsion Deflector 2 52			
26	532 11 04-52	Nut Push Phos & Oil			
27	532 13 09-68	Shield Deflector Mower 42" Blk			
28	734 11 63-01	Washer 11/32 x 5/8 x 16 Ga.			
29	532 13 14-91	RodHinge42"675Wlg			
30	532 07 81-58	Bolt 5/16 x 1 25 T/t			

**NOTE:** All component dimensions given in U.S. inches.  
1 inch = 25,4 mm

# REPAIR PARTS

## MOWER LIFT ASSEMBLY



# REPAIR PARTS

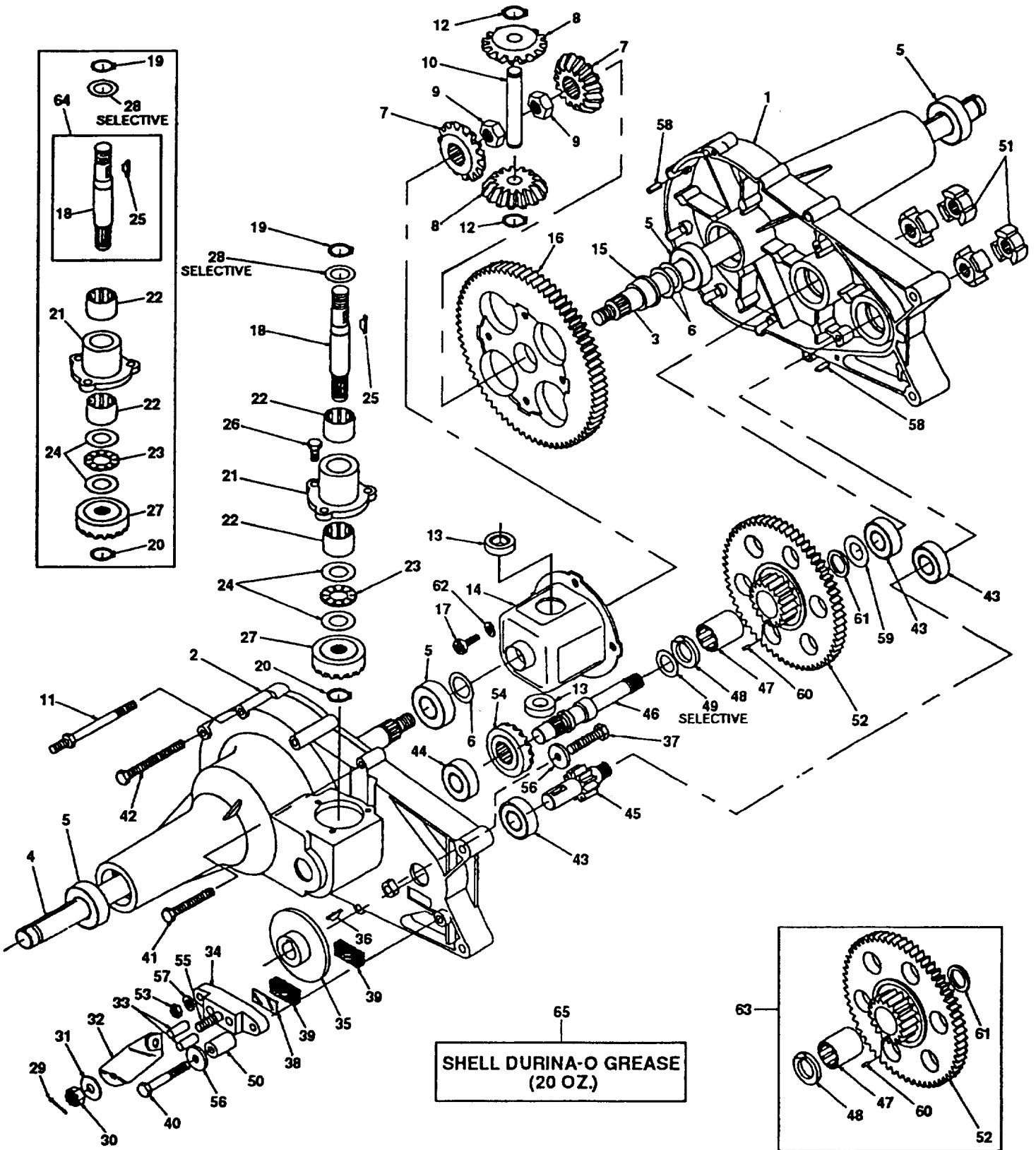
## MOWER LIFT ASSEMBLY

KEY NO.	PART NO.	DESCRIPTION
1	532 13 69-71	Wire Asm Inner W/plunger 17 32
2	532 13 69-68	Shaft Asm Lift 93 RH
3	532 13 82-84	Pin Groove 1 500 Zinc
4	812 00 00-02	E Ring #5133-62
5	819 21 14-16	Washer 21/32 x 7/8 x 16 Ga.
6	532 12 01-83	Bearing Nylon Blk 629 Id
7	532 12 56-31	Grip Handle Bicycle Matte Blk
8	532 12 59-25	Button Plunger Black
10	532 12 25-12	Spring Cprsn 3 750 Oiled
11	532 13 46-19	LinkLiftLHFixedLength
12	532 13 53-88	Link Lift Fixed Length
13	532 12 46-70	Retainer Spring
14	5321 35 56-3	Pin Roll SLT 5/16 x 1 25 Blk O
15	532 12 72-18	Link Front
16	873 22 08-00	Nut Jam Hex 1/2-13 UNC
17	532 13 01-71	Trunnion BlkZinc
18	873 80 08-00	Nut Lock W/wsh 1/2-13 UNC
19	532 13 08-32	Arm Suspension Rear
20	532 12 46-60	Retainer Spring
21	734 11 77-71	Washer 15/32 x 3/4 x 16 Ga.
22	812 00 00-37	Ring Klip #5304-37
23	532 11 08-07	Nut Special
24	734 11 71-71	Washer 13/32 x 5/8 x 16 Ga.
25	532 12 48-74	Spring 2-1/8"
26	876 02 03-08	Pin Cotter 3/32 x 1/2
27	532 11 07-29	Rod Adj Lift Zinc 9 00 Wrk Lg
28	873 22 06-00	Nut Hex Jam 3/8-16 UNC
29	532 13 80-57	Knob Inf 3/8-16 UNC Blk W/sym
30	532 11 08-10	Trunnion Dp Stop Dbl Thds PLT

**NOTE:** All component dimensions given in U.S. inches.  
1 inch = 25,4 mm

# REPAIR PARTS

AGRI-FAB TRANSAXLE - MODEL NO. 121431X



# REPAIR PARTS

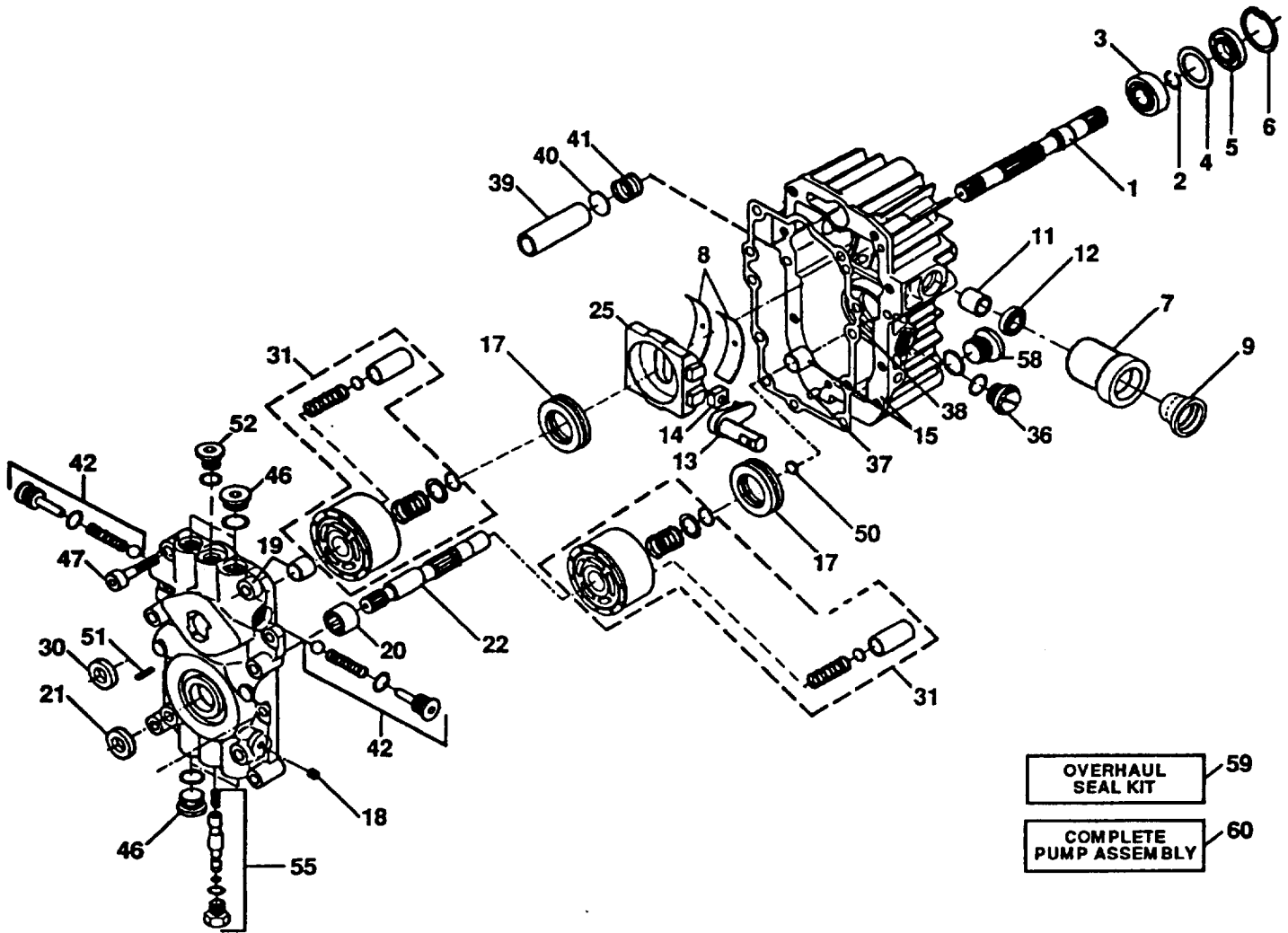
## AGRI-FAB TRANSAXLE - MODEL NO. 121431X

KEY PART NO.	PART NO.	DESCRIPTION	KEY PART NO.	PART NO.	DESCRIPTION
1	532 12 26-14	Housing, Half LH	36	532 12 30-65	Key, Hi-Pro3/16x5/8"
2	532 12 26-15	Housing, Half RH	37	532 12 26-66	Screw Hex 1/4-20x 1.50
3	532 12 26-16	AxleLH	38	532 12 26-67	Plate iPuck
4	532 12 26-20	AxleRH	39	532 12 26-68	Puck Brake
5	532 12 26-21	Beangng, Ball	40	532 12 30-66	Screw Hex w/Patch 1/4-20 x 2.00
6	532 12 26-22	Washer,Flat3/4x1-1/8x.030	41	532 12 26-70	Screw Hexself-Tap1/4-20 x2.00
7	532 12 26-23	Gear, Miter	42	532 12 26-71	Screw, Hex SeH-Tap 1/4-20 x 3.00
8	532 12 26-24	Gear, Miter	43	532 12 26-72	Bearing, Ball
9	532 12 26-25	Nut, Hex Jam w/Patch 1/2-20	44	532 12 26-73	Bearing Ball
10	532 12 26-26	Shaft, Cross	45	532 12 26-74	Shaft Pinion W/11 Tooth Gear
11	532 12 26-88	Screw, Stud	46	532 12 26-75	Shaft Drive
12	532 12 26-29	Snap, R'ng	47	532 12 30-59	Bearing, Needle
13	532 12 26-31	Bearing, Thrust	48	532 12 30-60	Bronze Thrust Brg. 5/8 x 1-1/4 x 7/64
14	532 12 26-33	Housing Assembly, Different~al	49	532 12 30-61	Washer, Flat .62 x 1.0 x .50
15	532 12 26-34	Bearing, Flange	--	532 12 26-54	Washer, Flat .62 x 1.0 x .40
16	532 12 26-40	Gear, Differential 72 Tooth	50	532 12 26-89	Spacer
17	532 12 26-41	Bolt, Torx Head 1/4-28 x 5/8"	51	532 12 18-39	Coupling
18	532 12 26-42	Shaft, Input	52	532 12 69-75	Gear, 60 and 17 Tooth
19	532 12 26-43	Snap, Ring	53	532 12 26-82	Nut, Hex 1/4-20
20	532 12 26-44	Retaining Ring 7/16'	54	532 12 26-83	Gear, Drive Pinion 17 Tooth
21	532 12 26-45	Housing, Input Bearing	55	532 12 26-84	Bolt, Square Head
22	532 12 26-46	Bearing, Needle	56	532 12 26-85	Washer 15/16 x .265 x .125
23	532 12 26-47	Bearing,Thrust	57	532 12 26-86	Washer Spring Lock1/4
24	532 12 26-48	Washer, Flat 5/8 x 1-1/8 x .030	58	532 12 26-87	Pin, Roli 3716" x 1/2U
25	532 12 26-49	Key, Hi-Pro 3/32 x 5/8	59	532 12 26-52	Washer, Flat .62 x 1.0 x .030
26	532 12 26-50	Screw, Hex W!Patch 1/4-20 x 3/4	60	532 12 30-62	Pin, Dowel 3732 x 1/4
27	532 12 26-51	Gear, Input P'n~on 17 Tooth	61	532 12 30-63	Seal, Grease
28	532 12 30-61	Washer, Flat .62 x 1 x .05	62	532 12 69-77	Washer, Head Spring Lock 1/4"
--	532 12 26-78	Washer, Flat .62 x 1.125 x .060	63	532 12 69-80	Assembly, Gear, Reduction
--	532 12 26-54	Washer, Flat .62 x 1 x .40	64	532 12 26-42	Assembly, Shaft, Input
29	532 12 26-56	Pin, Cotter	65	532 12 69-76	Shell Durina-OGrease(20oz.)
30	532 12 26-53	Nut, Castle 5/16-24	--	532 12 14-31	TransaxleAssemblyComplete
31	532 12 26-59	Washer Flat 343x.88x.062			
32	532 12 26-60	Arm, Brake Actuator			
33	532 12 26-62	Pin, BrakeActuating			
34	532 12 26-63	Brake, Yoke			
35	532 12 26-64	Disc, Brake			

**NOTE:** All component dimensions given in U.S. inches.  
1 inch =25 4 mm

# REPAIR PARTS

## HYDRO-GEAR PUMP ASSEMBLY - MODEL NUMBER BDU-10S



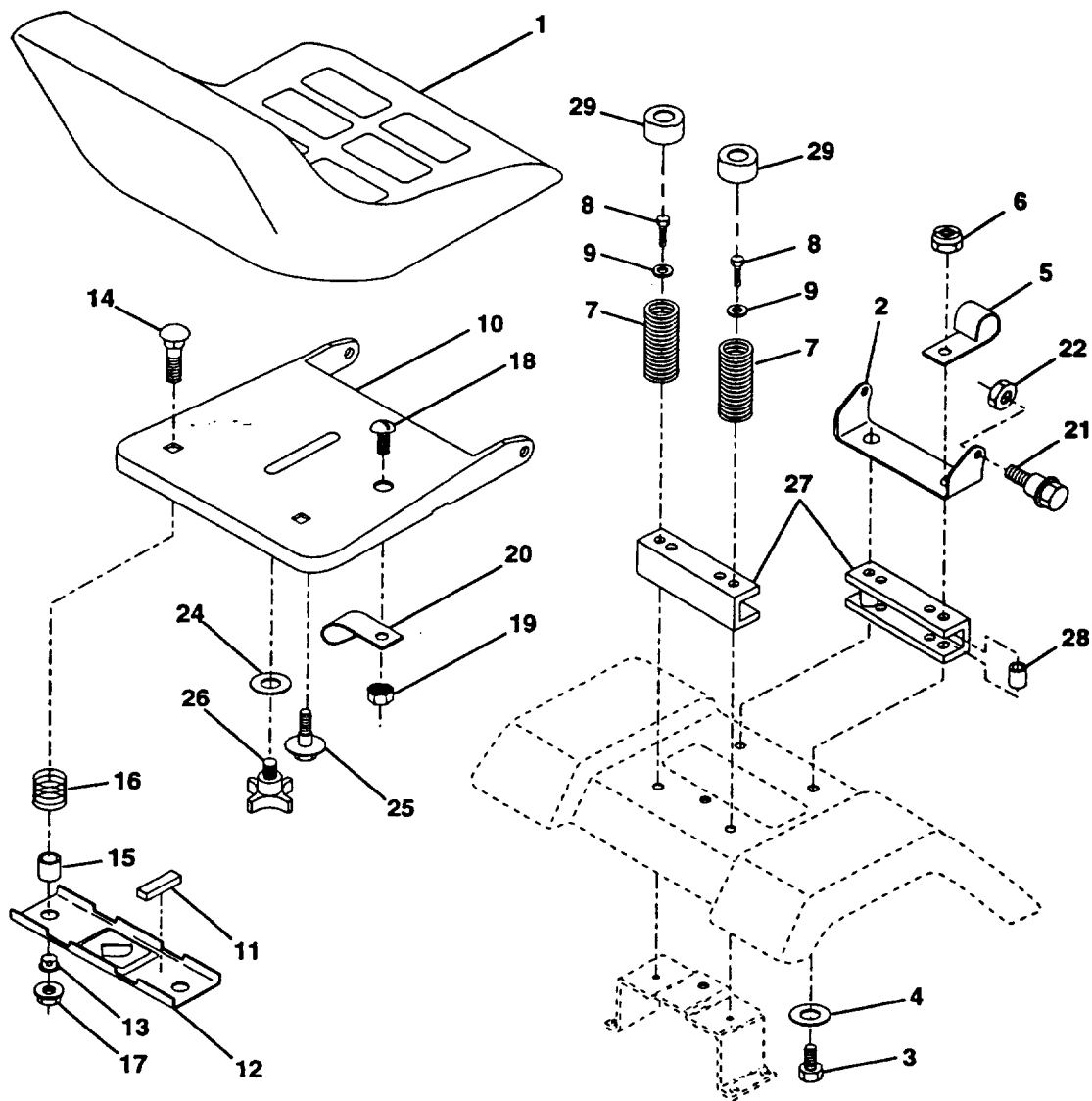
KEY PART NO.	NO.	DESCRIPTION	KEY NO.	PART NO.	DESCRIPTION
1	532 12 27-56	Shaft, Pump	30	532 12 27-23	* Seal, Lip
2	532 12 27-16	* Ring, Retaining	31	532 12 71-49	Block Kit, Cylinder
3	532 12 27-45	Bearing, Ball	36	532 12 71-51	Plug, Plastic
4	532 12 27-15	* Spacer	37	532 12 27-86	Pin, Stainless, Headless
5	532 12 27-00	* Seal, Lip	38	532 12 27-18	* Gasket, Center Section
6	532 12 26-99	* Ring, Retaining	39	532 12 27-31	Filter
7	532 12 13-23	Reservoir, Oil	40	532 12 27-30	Washer, Thrust
8	532 12 27-67	Bearing, Cradle	41	532 12 27-28	Spring, Helical, Compression
9	532 13 97-94	Diaphragm, Oil Reservoir	42	532 12 71-52	Check Valve Kit
11	532 12 27-47	Bearing, Journal	46	532 12 27-87	Plug, Stainless, Threaded
12	532 12 27-17	* Seal, Lip	47	532 12 27-52	Screw, Socket Head, Cap
13	532 12 27-48	Arm, Trunnion	50	532 12 27-88	Washer, Thrust
14	532 12 27-49	Guide, Slot	51	532 12 27-89	Pin, Spiral
15	532 12 71-46	Housing Kit, Transmission	52	532 12 27-54	Plug, Stainless, Threaded
17	532 12 27-70	Bearing, Thrust, Ball	55	532 12 71-53	Bypass Valve Kit
18	532 12 27-71	Plug, Pipe	58	532 12 27-90	Plug, Stainless, Threaded
19	532 12 71-47	Center Section Kit	59	532 12 71-54	Overhaul Seal Kit, BDU-10
20	532 12 27-73	Bearing, Needle			<b>Includes:</b> Items marked with an asterisk (*); O-Rings for Check Valves and Bypass Valve
21	532 12 27-22	* Seal, Lip	60	532 12 14-30	Pump Assembly, Complete
22	532 12 27-50	Shaft, Motor			
25	532 12 71-48	Swashplate, Variable			

**NOTE:** All component dimensions given in U.S. inches.  
1 inch = 25,4 mm



# REPAIR PARTS

## SEAT ASSEMBLY



### KEY PART NO. NO.

### DESCRIPTION

1	532 12 74-29	Seat
2	532 12 66-56	Bracket Pivot Seat
3	874 76 06-40	Bolt, Hex 3/8-16 UNC x 2-1/2
4	819 13 16-10	Washer 13/32 x 1 x 10 Ga.
5	532 00 27-51	Clip Fuel Line
6	873 68 06-00	Nut, Crownlock 3/8-16UNC
7	532 12 41-81	Spring Seat Cprsn
8	817 49 06-40	Screw Hwsh Thdrol 3/8-16 x 2-1/2
9	819 13 16-14	Washer 13/32 x 1 x 14 Ga.
10	532 13 14-51	Pan Seat
11	532 12 12-51	Strip Foam
12	532 12 12-46	Bracket Mounting Switch
13	532 12 12-48	Bushing Snap
14	872 05 04-11	Bolt 1/4-20 x 1-3/8
15	532 12 12-49	Spacer Split

### KEY PART NO. NO.

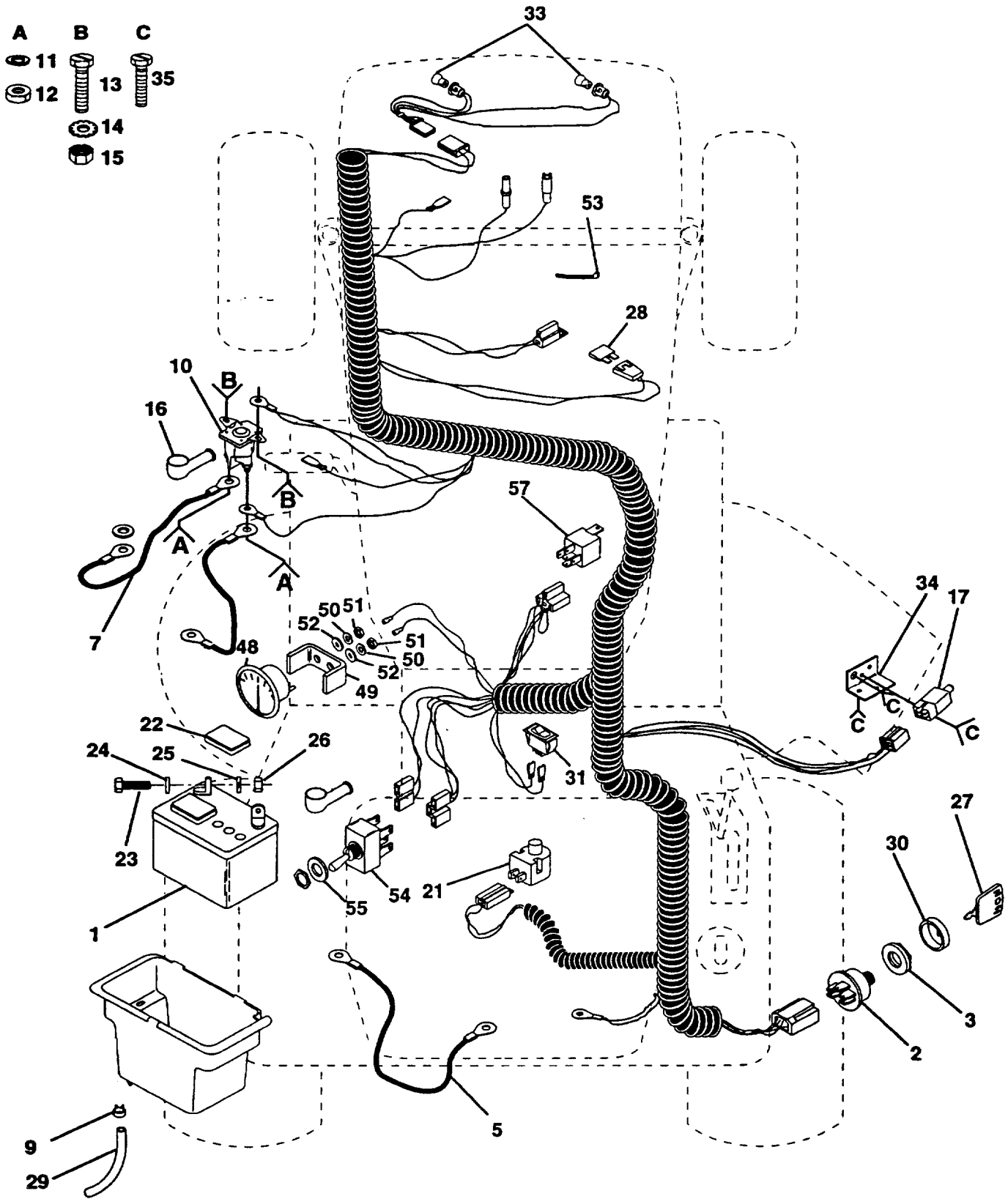
### DESCRIPTION

16	532 12 37-40	Spring Cprsn
17	873 68 04-00	Locknut 1/4 Gr. 5
18	874 64 10-08	Screw SLTD Pan Hd #10-32 x 1/2
19	873 16 10-00	Nut, Keps #10-32 Unf
20	532 00 41-71	Clip Insulated
21	532 10 55-29	Bolt, Shoulder 5/16-18UNC
22	873 68 05-00	Nut, Crownlock 5/16-18
24	819 17 19-12	Washer 17/32 x 1-3/16 x 12 Ga.
25	532 12 70-18	Bolt, Shoulder 5/16-18 x 62
26	532 12 00-68	Knob Seat 1/2-13 UNC
27	532 13 17-72	Spacer, Seat
28	532 13 17-71	Spacer, Split
29	532 12 42-38	Cap Spring Seat

**NOTE:** All component dimensions given in U.S. inches.  
1 inch = 25,4 mm

# REPAIR PARTS

## ELECTRICAL



# REPAIR PARTS

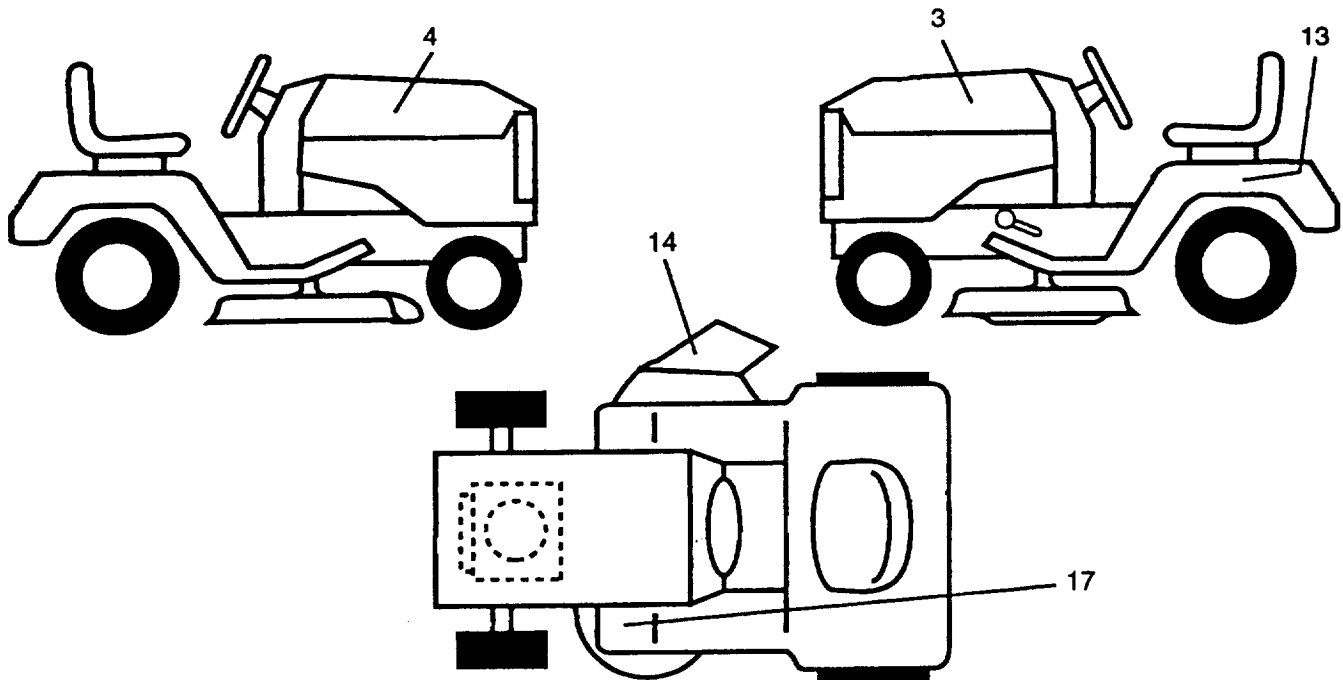
## ELECTRICAL

KEY PART NO.	PART NO.	DESCRIPTION
1	506 78 88-01	Battery 12 Volt 30 Amp
2	532 10 29-72	Switch Ign 5 Term Wo/wash/nut
3	532 12 42-11	Nut Ignition
5	532 12 47-73	Cable Ground 6ga 12Nblack
7	532 12 47-70	Cable Battery 6ga 22" red
9	532 10 95-96	Clamp Hose Olive
10	532 10 99-46	Solenoid
11	810 04 04-00	Washer Lock 1/4
12	873 22 04-00	Nut Jam Hex 1/4-20 UNC
13	874 78 04-08	Bolt Fin Hex 1/4-20 UNC x 1/2 Gr 5
14	810 04 04-00	Washer Lock Ext Tooth 1/4
15	873 68 04-00	Nut Keps Hex 1/4-20 UNC
16	532 13 15-63	Cover Terminal Red
17	532 10 95-53	Switch InterlockClutch
21	532 12 13-05	Switch Plunger Nc Gray
22	532 12 12-64	Caps Battery 20/25/30 Amp
23	874 76 04-12	Bolt Hex Hd 1/4-20 UNC x 3/4
24	734 11 53-01	Washer 9/32 x 5/8 x 16 Ga.
25	810 04 04-00	Washer Lock Hvy Helical 1/4
26	873 22 04-00	Nut Fin Hex 1/4-20 UNC
27	516 84 46-00	Key Ign Molded Generic
28	532 10 88-24	Fuse 30 Amp Auto Green
29	532 10 92-38	Tube Plastic 12"
30	532 12 36-20	Cover Sw Key Blk 1 25 Text SlT
31	532 11 07-12	Switch Light Blk Blk Red
33	532 00 41-52	Bulb, Light #1156
34	532 10 82-36	Bracket Switch Clutch
35	817 02 10-08	Screw Hex Tapping #10-24 x 1/2
48	532 12 49-00	Ammeter Round 15 Amp
49	532 13 17-08	Bracket Ammeter 2 242 x 1 180
50	810 07 10-00	Washer Lock
51	873 91 10-00	Nut
52	734 11 46-01	Washer 7/32 x 1/2 x 18 Ga.
53	532 12 47-56	Tie Cable
54	532 12 60-16	Switch PTO
55	734 11 77-71	Washer 17/32 x 3/4 x 16 Ga.
57	532 10 97-48	Relay Assembly

**NOTE:** All component dimensions given in U.S. inches.  
1 inch = 25,4 mm

# REPAIR PARTS

## DECALS



### KEY PART NO. NO.

### DESCRIPTION

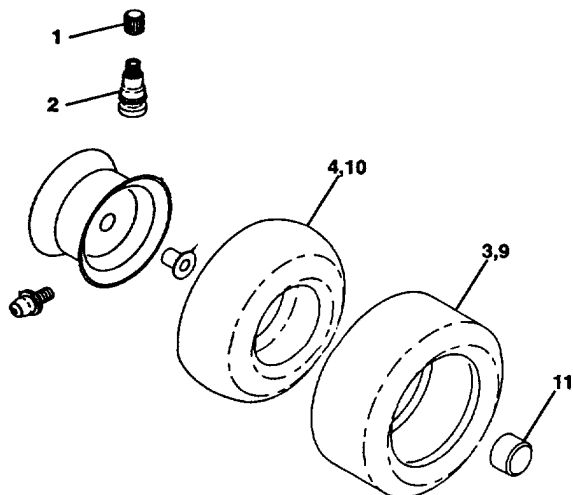
3	532 12 73-89	Decal, Hood, LH
4	532 12 73-91	Decal Hood, RH
13	532 12 15-49	Decal Caution, Battery
14	532 12 61-94	Decal, Caution Deflect (English/French/German/Dutch)
--	532 12 63-47	Decal, Warning, Deflect (Spanish/Italian)
--	532 12 66-79	Decal, Operating, Warning, (Swedish/Danish)

### KEY PART NO. NO.

### DESCRIPTION

--	532 12 66-82	Decal, Operating, Warning, (German/Dutch)
--	532 12 66-83	Decal, Operating, Warning, (Spanish/Italian)
17	532 12 66-76	Decal, Clutch, Warning, (Swedish/ Danish/Finnish/Norwegian)
--	532 12 66-77	Decal, Clutch/Brake, (English/French/German/Dutch)
--	532 12 66-78	Decal, Clutch/Brake, (Spanish/Italian)

## WHEELS & TIRES



### KEY PART NO. NO.

### DESCRIPTION

1	532 05 91-92	Cap Valve Tire
2	532 06 51-39	Stem Valve
3	533 30 11-40	Tire F Ts 15 x 6 0 - 6 Service
4	532 05 99-04	Tube Front (Service Item Only)
9	532 12 20-74	Tire R Ts 18 x 9 5-8 C Service
10	532 00 71-52	Tube Rear (Service Item Only)
11	532 10 47-57	Cap Axle Blk 1 50 x 1 00

**NOTE:** All component dimensions given in U.S. inches.  
1 inch = 25,4 mm