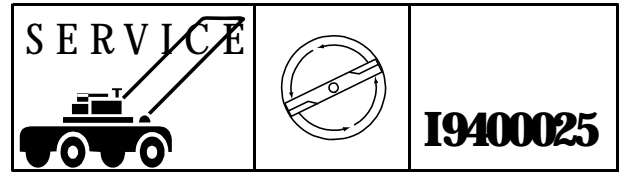


Jonsered



IPL, 455 SD, 1994-01

455 SD

Spare parts

Ersatzteile

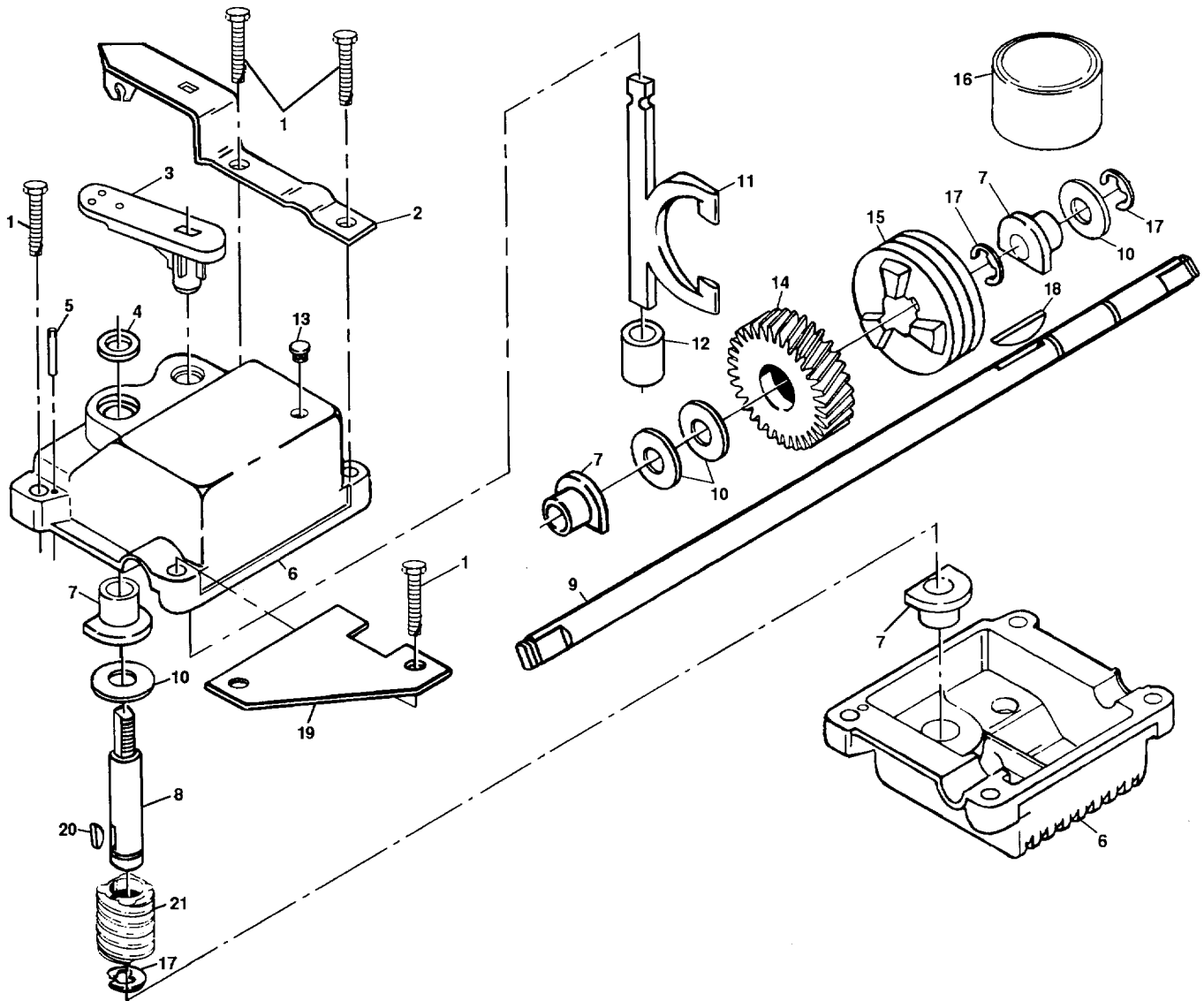
Pièces détachées

Reserve onderdelen

Repuestos

Reservdelar

REPAIR PARTS



**KEY PART
NO. NO.**

KEY PART NO.	NO.	DESCRIPTION
1	874 78 04-20	Tapping Screw 1/4-20 x 1-1/4
2	532 12 54-40	Engagement Bracket
3	532 13 70-53	Shifter
4	532 05 70-72	Seal
5	532 70 27-10	Grooved Pin 1/8 x 5/8
6	532 04 83-73	Gear Case halves Kit (Includes Key) Nos. 4, 5 and 7)
7	532 07 78-81	Bearing
8	532 13 14-81	Worm Shaft
9	532 75 04-36	Drive Shaft
10	532 05 70-79	Hardened Washer

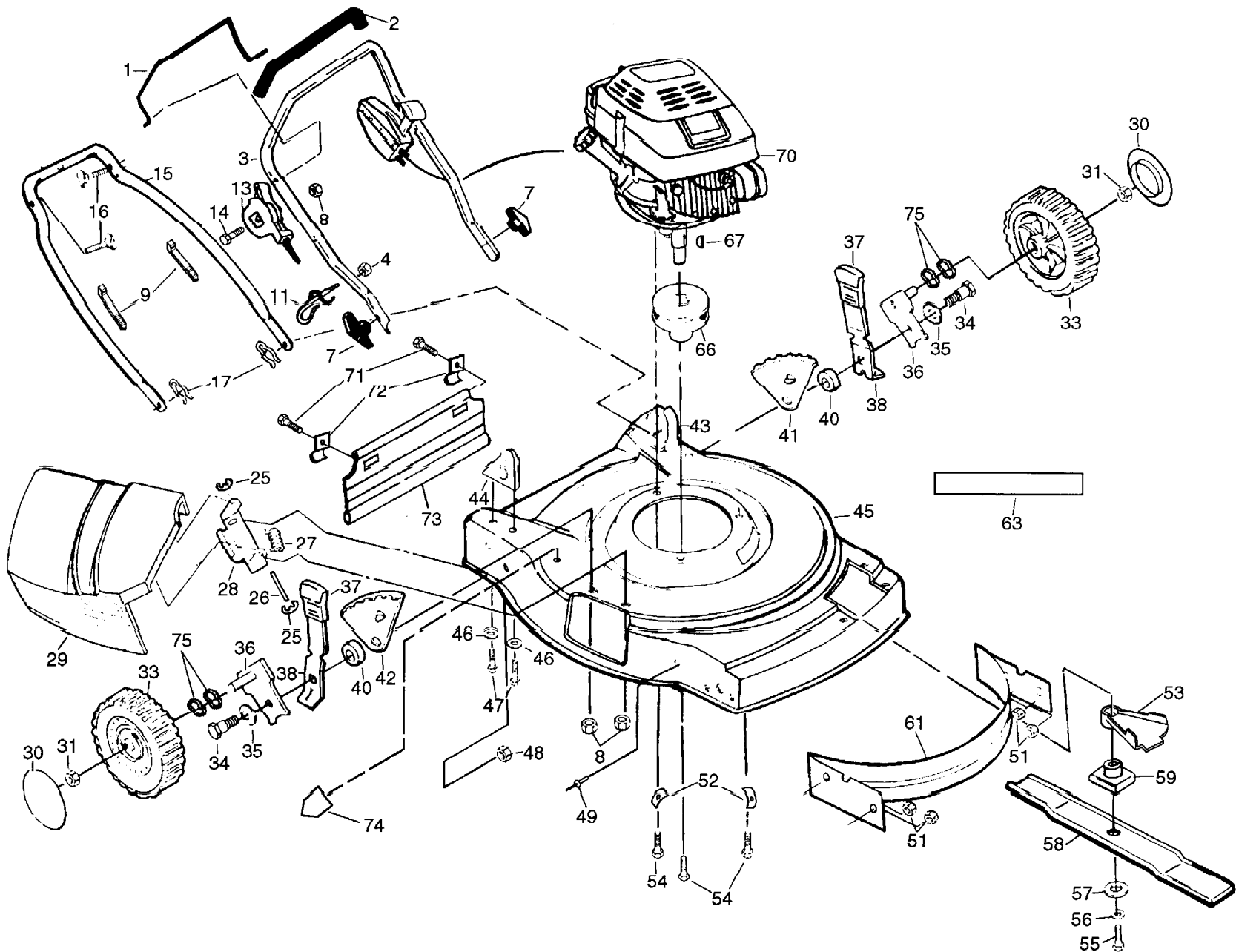
**KEY PART
NO. NO.**

KEY PART NO.	NO.	DESCRIPTION
11	532 13 14-84	Clutch Yoke
12	532 70 03-43	Bushing
13	532 08 64-47	Plug
14	532 08 36-59	Helical Gear
15	532 75 04-36	Clutch Jaw
16	532 75 03-55	Grease
17	812 00 00-03	E-Ring
18	532 85 08-48	Hi-Pro Key
19	532 12 54-41	Spring Bracket
20	532 06 56-92	Woodruff Key #3
21	532 08 36-80	Worm Gear

Jonsered

Jonsered Power Products AB
433 81 Partille Sweden

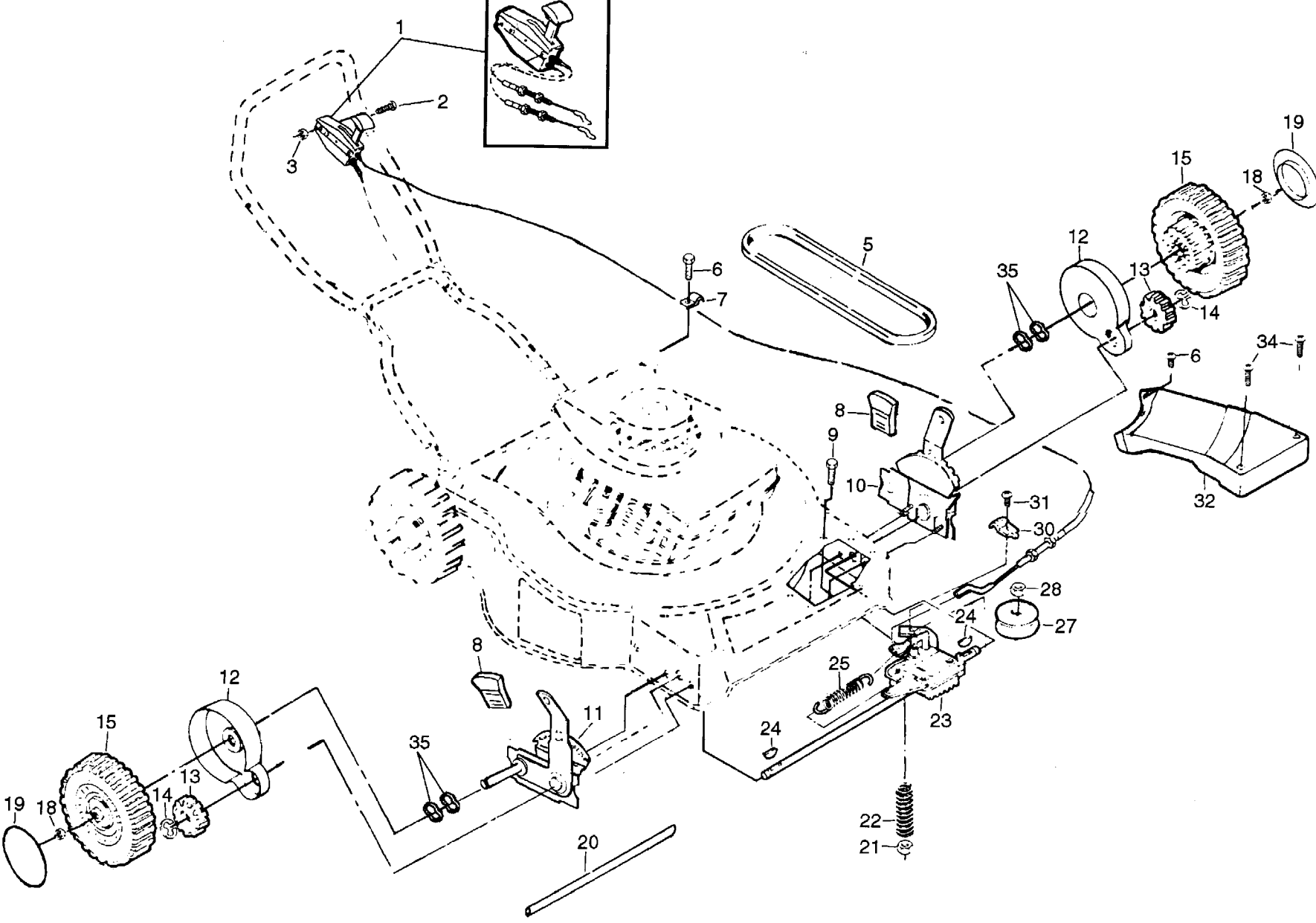
REPAIR PARTS, 1



REPAIR PARTS, 1

KEY NO.	PART NO.	DESCRIPTION	KEY NO.	PART NO.	DESCRIPTION
1	532 13 10-94	Control Bar	43	532 14 04-66	Handle Bracket Assembly (Left)
2	532 85 07-24	Handle Grip	44	532 14 04-65	Handle Bracket Assembly (Right)
3	532 12 52-20	Upper Handle	45	532 12 91-64	Lawn Mower Housing (Incl. Ref. #63, 74)
4	873 68 04-00	Locknut 1/4-20	46	532 05 92-89	Washer
7	532 13 63-76	Handle Knob	47	532 05 51-87	Self Tapping Screw 5/16-18 x 3/4
8	873 68 04-00	Locknut 1/4-20	48	873 68 06-00	Locknut 3/8-16
9	532 06 64-26	Wire Ties	49	532 12 84-15	Pop Rivet
11	532 13 20-01	Rope Guide	51	873 68 04-00	Locknut 1/4-20
13	532 70 05-83	Throttle Control	52	532 12 50-78	Washer
14	532 05 99-35	Screw	53	532 13 22-31	Debris Shield
15	532 12 51-60	Lower Handle	54	532 85 09-98	Hex Head Thread Rolling Screw 3/8-16 x 1
16	532 13 19-59	Handle Bolt 5/16-18 x 1-3/4	55	532 85 10-84	Hex Head Screw 3/8-24 x 1-3/8 Grade 8
17	532 05 17-93	Hairpin Cotter	56	532 85 02-63	Helical Lock Washer 3/8
25	812 00 00-14	E-Ring	57	532 85 10-74	Hardened Washer
26	532 08 75-90	Hinge Rod	58	532 85 09-73	22" Blade
27	532 08 75-89	Torsion Spring	59	532 85 15-14	Blade Adapter
28	532 08 75-93	Housing Bracket Assembly	61	532 13 88-71	Front Baffle
29	532 75 01-49	Discharge Guard	62	532 12 53-81	Rear Baffle (Not Shown)
30	532 80 11-53	Hubcap	63	532 70 06-96	Warning Decal
31	532 08 39-23	Locknut 3/8-16	66	532 08 55-43	Engine Pulley
33	532 75 05-50	Wheel & Tire Assembly	67	532 08 76-77	Hi-Pro Key #HP 505
34	532 08 49-21	Shoulder Bolt 3/8-16	70	-----	* Engine - Tecumseh Model No. TVS115
35	532 06 23-35	Belleville Washer 1/2	71	817 02 10-08	Hex Washer Head Screw #10-24 x .50
36	532 12 50-61	Axle Arm Assembly	72	532 12 52-07	Skirt Bracket
37	532 13 28-00	Selector Knob	73	532 12 87-97	Rear Skirt
38	532 12 52-59	Selector Spring	74	532 10 73-39	Warning Decal
40	532 08 4920	Spacer	75	532 05 71-43	Wave Washer
41	532 08 86-42	Wheel Adjusting Bracket (Left)			
42	532 08 86-41	Wheel Adjusting Bracket (Right)			

REPAIR PARTS, 2



REPAIR PARTS, 2

KEY NO.	PART NO.	DESCRIPTION
1	532 13 30-46	Dual Head Cable Control Assembly
2	532 08 56-92	Pan Head Machine Screw 1/4-20x 2-3/16
3	873 68 04-00	Locknut
5	532 08 36-91	V-Belt
6	817 02 10-08	Hex Washer Head Screw #10-24 x 1/2
7	532 08 79-30	Clip Guide (Housing)
8	532 13 28-00	Selector Knob
9	874 78 04-00	Hex Head Bolt 1/4-20 x 2-3/4
10	532 12 91-74	Wheel Adjuster Assembly (Left)
11	532 12 91-73	Wheel Adjuster Assembly (Right)
12	532 07 64-01	Dust Cover
13	532 07 45-07	Pinion
14	812 00 00-03	E-Ring
15	532 85 08-46	Wheel & Tire Assembly
18	532 08 39-23	Locknut 3/8-16

KEY NO.	PART NO.	DESCRIPTION
19	532 13 51-22	Hubcap
20	532 08 60-12	Drive ShaftCover
21	873 68 04-00	Locknut
22	532 07 51-92	Spring
23	532 14 33-14	Gear Case Assembly
24	532 06 56-92	Woodruff Key #3
25	532 08 36-32	Spring
27	532 13 14-82	Drive Pulley
28	532 13 20-10	Locknut
30	532 08 37-00	Cable Clamp
31	532 75 01-08	Pan Head Self Tapping Screw #10-24 x 3/8
32	532 75 10-29	Drive Cover
34	532 08 78-66	Pan Head Tapping Screw #10-24 x 2-3/4
35	532 05 71-43	Wave Washer