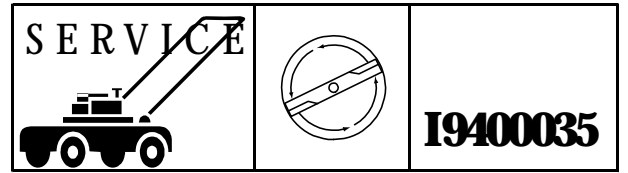


Jonsered



IPL, LR12 36" , 1994-01

LR12 36"

Spare parts

Ersatzteile

Pièces détachées

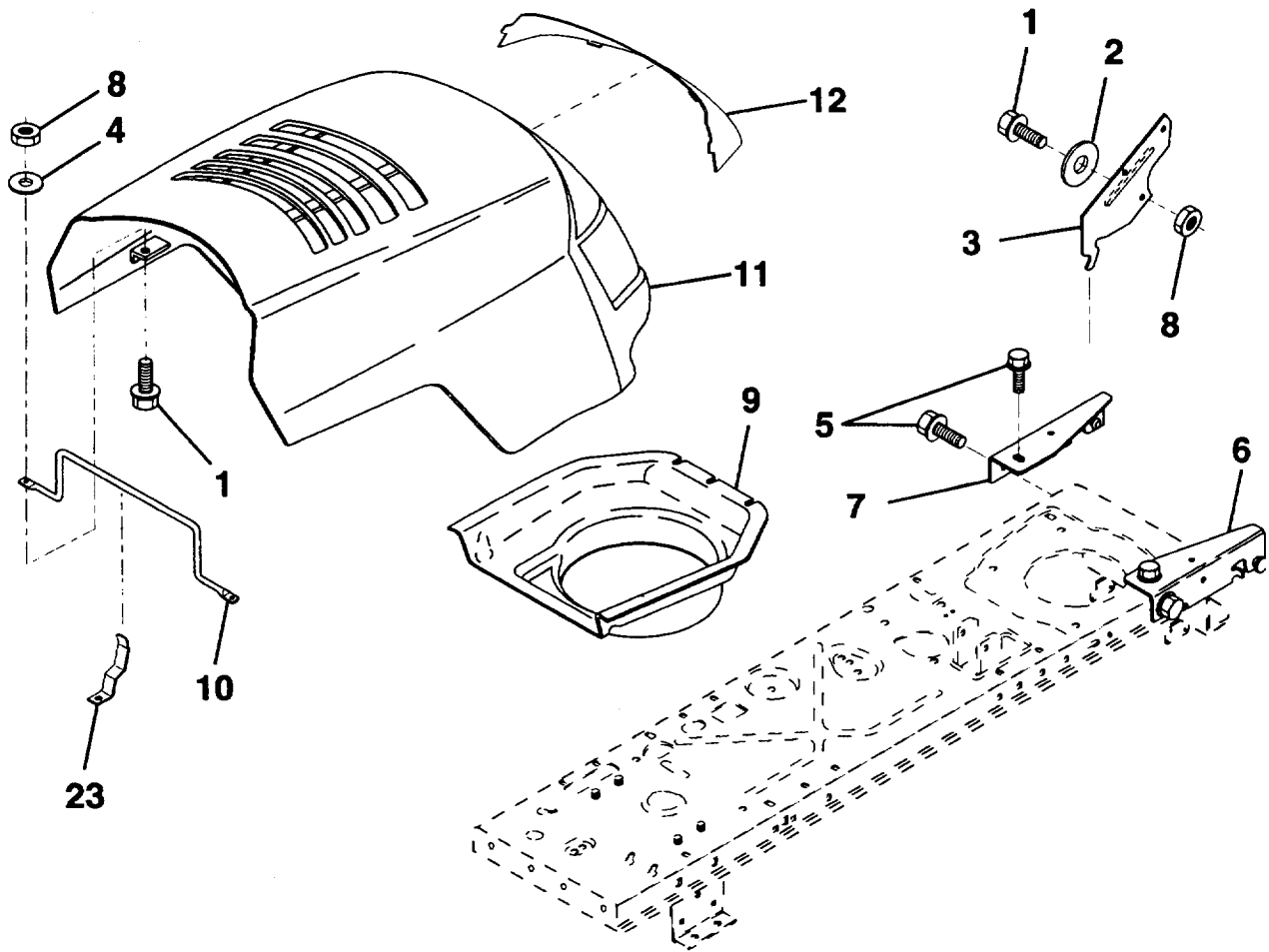
Reserve onderdelen

Repuestos

Reservdelar

REPAIR PARTS

HOOD

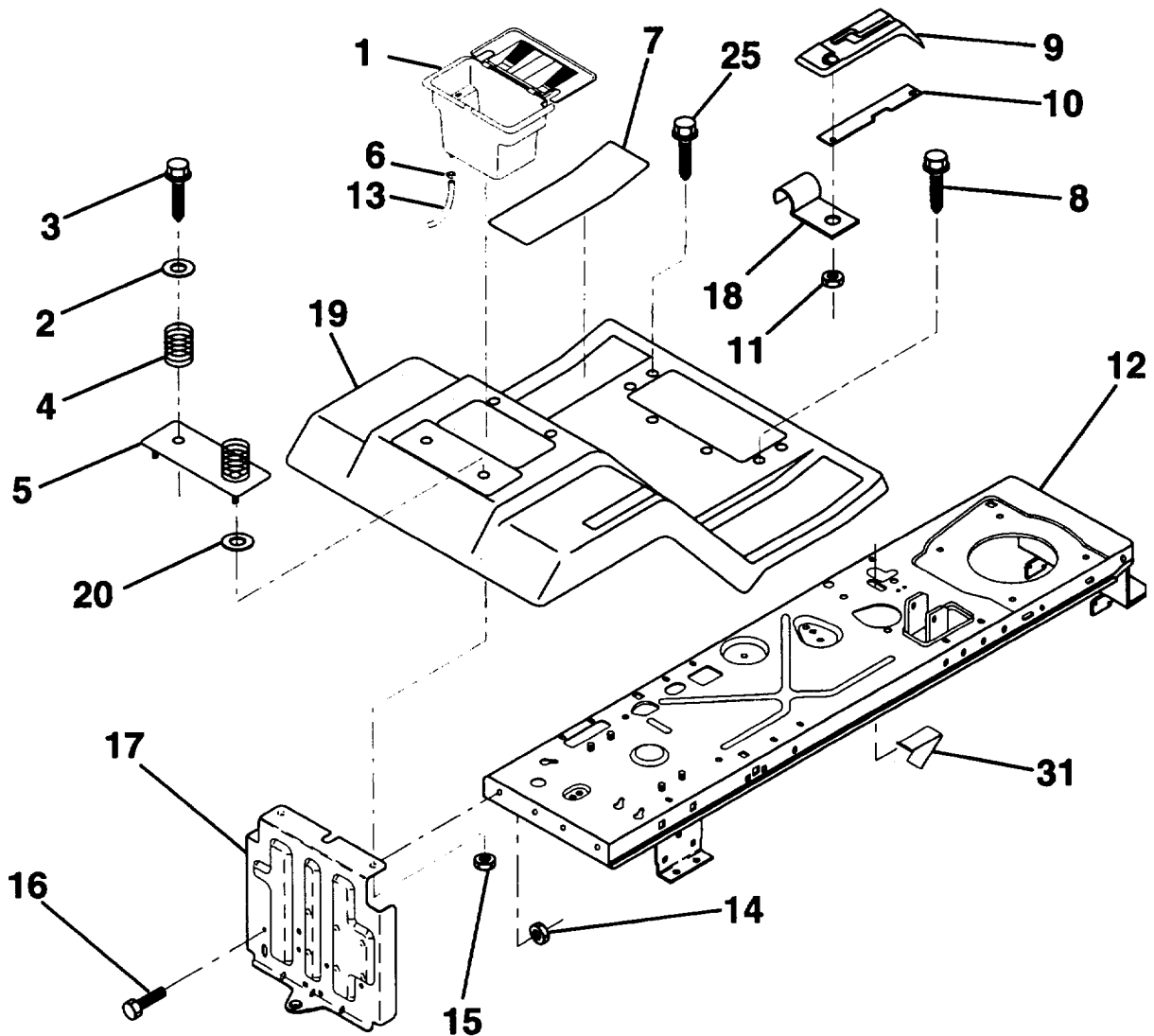


KEY PART NO.	KEY PART NO.	DESCRIPTION	KEY PART NO.	KEY PART NO.	DESCRIPTION
1	874 76 04-12	Bolt Fin Hex 1/4-20 x 3/4	8	873 68 04-00	Locknut W/Insert 1/4-20
2	819 09 20-16	Washer	9	532 13 96-24	Duct Air Hood
3	532 13 91-58	Bracket Pivot Hood	10	532 14 13-21	Rod Support
4	734 11 53-01	Washer, Flat 1/4	11	532 14 15-09	Hood
5	874 78 05-12	Screw Thdrol 5/16-28 x 3/4	12	532 13 92-98	Lens Bar
6	532 14 00-51	BracketAsm. Pivot Hood RH	23	532 13 99-69	Latch Hood
7	532 14 00-50	Bracket Asm. Pivot Hood LH			

HARDWARE SHOWN LARGER FOR EASIER IDENTIFICATION

REPAIR PARTS

FENDER / CHASSIS

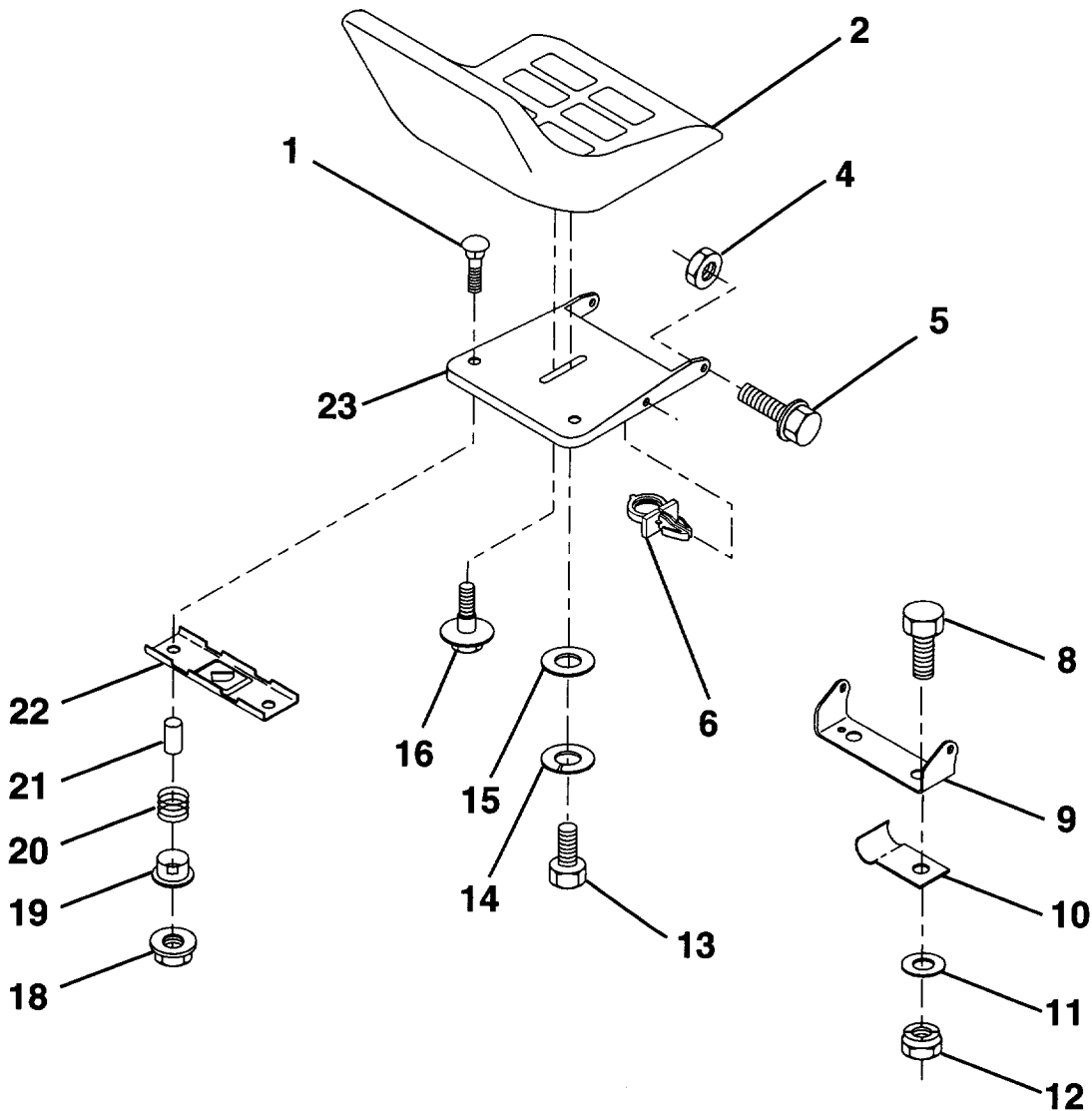


KEY PART NO.	PART NO.	DESCRIPTION	KEY PART NO.	PART NO.	DESCRIPTION
1	532 12 99-65	Case, Battery	12	532 14 07-84	Assembly, Frame
2	734 11 74-41	Washer 13/32 x 1-1/4 x 12 Ga	13	532 10 92-38	Tube, Battery Drain
3	874 78 06-12	Screw, Hex Wsh. Thrdrol 3/8-16 x 3/4	14	873 80 05-00	Nut, Loch Hex w/Ins. 5/16-18
4	532 12 41-81	Spring, Compression, Seat	15	873 68 04-00	Nut, Keps 1/4-20 UNC
5	532 12 54-31	Plate, Asm. Battery	16	874 78 05-12	Bolt, Hex Hd. 5/16-18 UNC x 3/4
6	532 10 95-96	Clamp, Hose	17	532 14 07-82	Drawbar
7	532 12 41-44	Pad, Footrest	18	532 12 64-70	Clip, Insulated
8	874 78 05-12	Screw, Thdrol 5/16-18 x 3/4	19	532 14 16-50	Fender/Footrest
9	532 12 69-97	Console, Shift Control	20	819 09 14-16	Washer 9/32 x 7/8 x 13 Ga
10	532 13 97-83	Bar, Shift Lock	25	817 49 05-16	Scr-Hx Wsh Thd Rol 5/16-18 x 1
11	532 12 43-46	Nut, Self-Threading Wsher Hd 3/16	31	532 14 17-36	Switch Actuator

HARDWARE SHOWN LARGER FOR EASIER IDENTIFICATION

REPAIR PARTS

SEAT

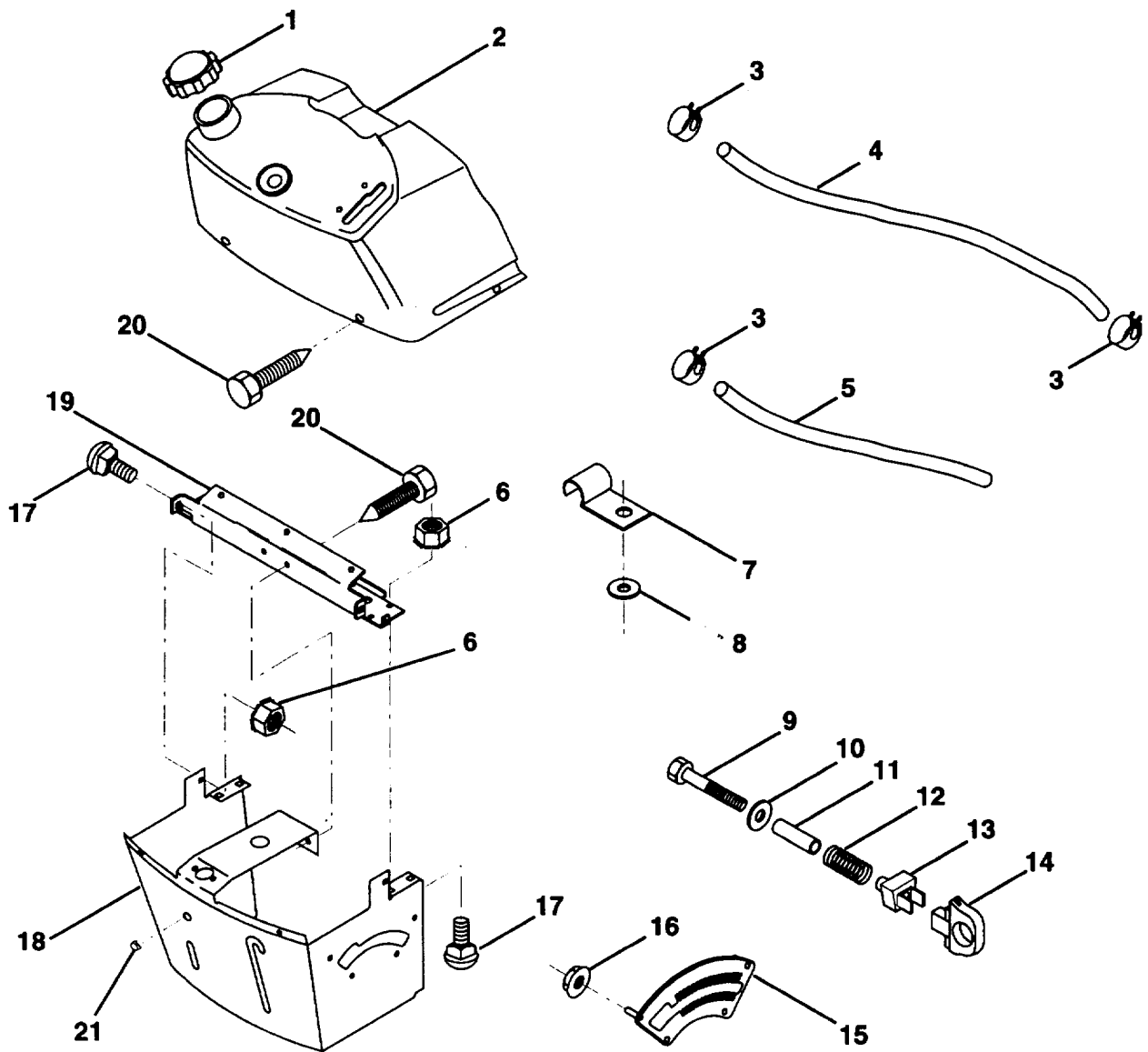


KEY NO.	PART NO.	DESCRIPTION	KEY NO.	PART NO.	DESCRIPTION
1	872 05 04-11	Bolt, Carriage 1/4-20x1-3/8	13	874 78 08-14	Bolt Hex 1/2-13x7/8
2	532 12 74-27	Seat	14	810 04 08-00	Washer Lock Hvy Hlcl Spring 1/2
4	873 80 05-00	Nut, Lock Hex w/Ins. 5/16-18	15	819 17 19-12	Washer, 17/32 x 1-3/16 x 12 Ga
5	532 13 98-88	Bolt, Shoulder 5/16-18 UNC	16	532 12 70-18	Bolt, Shoulder
6	532 14 04-07	Clip, Insulated	18	873 68 04-00	Nut, Hex Large Flange Lock
8	874 78 06-16	Bolt, Fin Hex 3/8-16 UNC x 1	19	532 12 12-48	Bushing, Snap
9	532 14 05-51	Bracket, Pivot Seat	20	532 12 12-50	Spring, Compression
10	532 12 64-71	Clip Insulated	21	532 13 43-00	Spacer, Split 28 Id. x .88 Lg
11	819 13 32-10	Washer 12/32 x 2 x 10 Ga	22	532 12 12-46	Bracket, Switch, Mounting
12	873 68 06-00	Nut, Lock Hex w/Wsh. 3/8-16 UNC	23	532 14 05-52	Pan, Seat

HARDWARE SHOWN LARGER FOR EASIER IDENTIFICATION

REPAIR PARTS

DASH

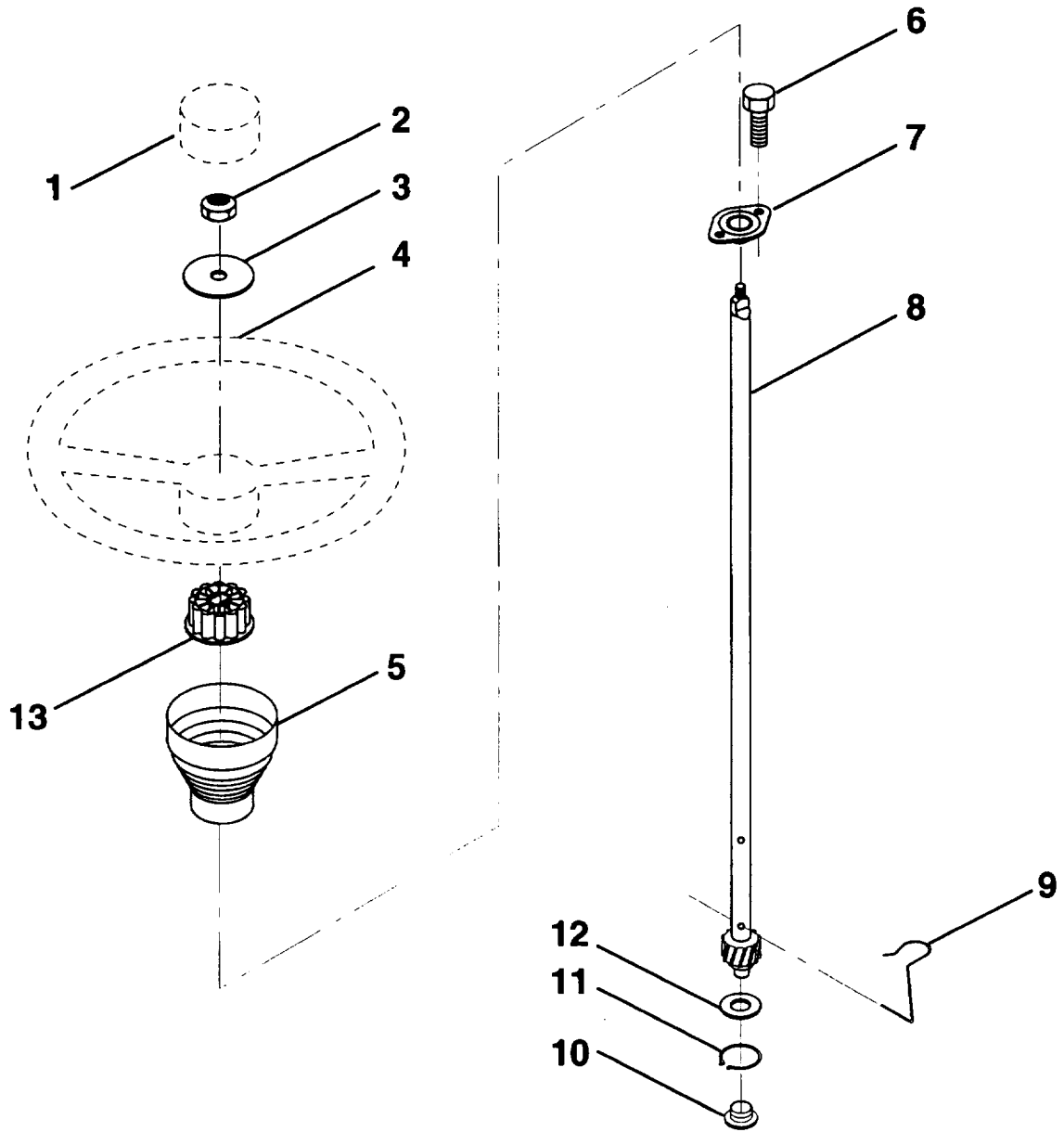


KEY NO.	PART NO.	DESCRIPTION	KEY NO.	PART NO.	DESCRIPTION
1	532 14 15-23	Cap, Fuel	12	532 00 37-20	Spring
2	532 13 83-92	Assembly, Dash & Fuel Tank	13	532 12 64-50	Clip, Height Adjustment
3	532 12 34-87	Clamp, Hose	14	532 12 61-15	Knob, Height Stop
4	532 00 02-95	Line, Fuel	15	532 12 20-23	Adjustment, Quadrant Height
5	532 00 85-48	Line, Fuel	16	532 12 43-46	Nut, Self-Threading 3/16-18
6	873 68 04-00	Nut,Hex,Keps1/4-20	17	872 11 04-04	Bolt,Carriage1/4-20 x1/2 Gr5
7	532 00 27-51	Clip, Fuel Line	18	532 13 07-45	Support Assembly, Dash
8	734 11 54-41	Washer9/32x3/4 x16 Ga	19	532 13 47-44	Brace,Cross
9	874 76 04-28	Bolt, Hex, Fin 1/4-20x 1-3/4	20	817 06 04-08	Screw, Self-Tapping 1/4-20x 1/2
10	819 09 14-16	Washer11/32x11/16x16Ga	21	532 13 40-14	PlugDome Black
11	532 12 12-49	Spacer, Split			

HARDWARE SHOWN LARGER FOR EASIER IDENTIFICATION

REPAIR PARTS

STEERING WHEEL



KEY NO.	PART NO.	DESCRIPTION
---------	----------	-------------

1	532 14 01-75	Insert, Wheel, Steering
2	873 61 06-00	Nut, Lock 3/8-24 UNF
3	819 13 38-08	Washer 12/32 x 2-3/8 x 8 Ga
4	532 13 97-68	Wheel, Steering
5	532 12 18-97	Sleeve, Steering
6	817 21 10-08	Screw, Hex #10-16 x 1/2 TY-B
7	532 10 28-03	Bushing, Steering

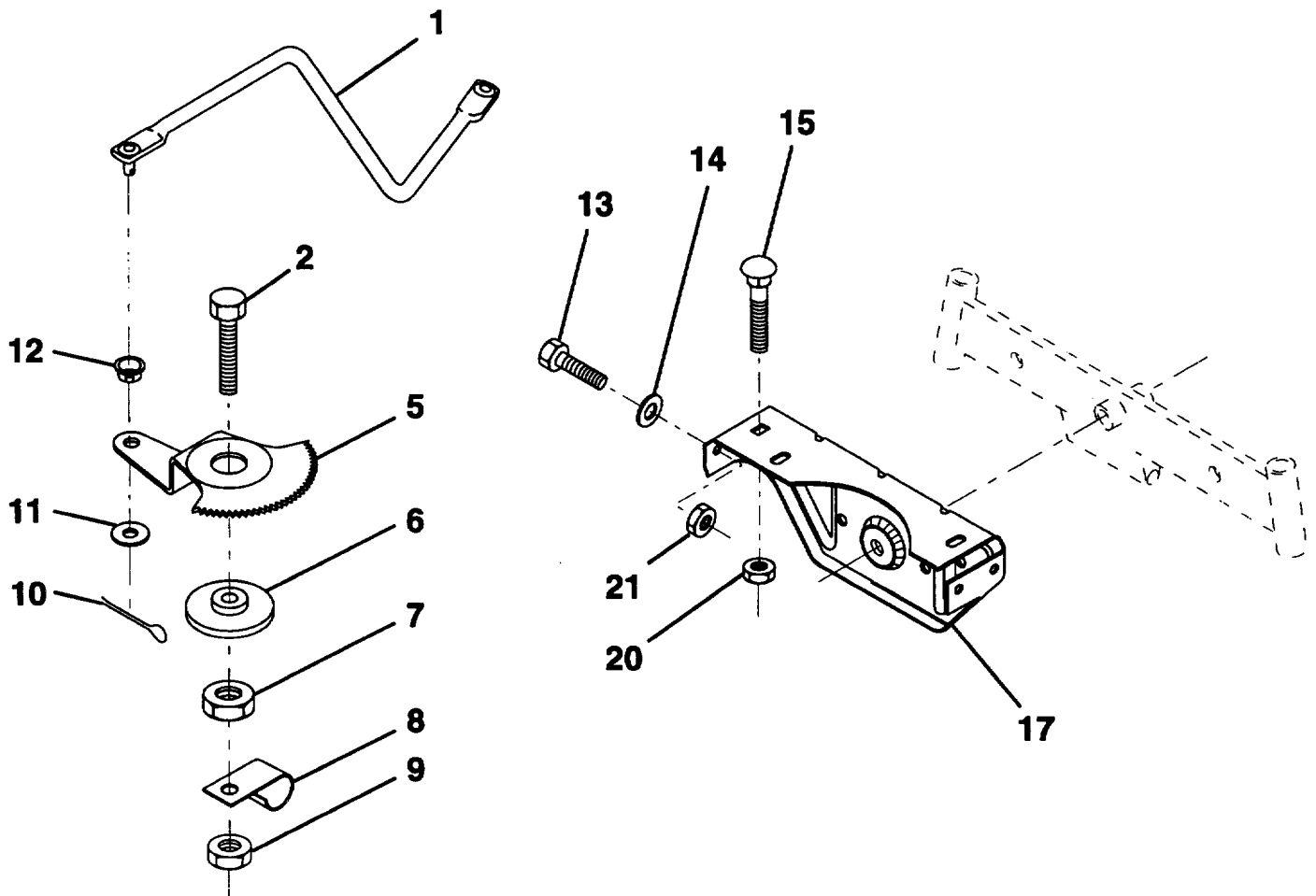
KEY NO.	PART NO.	DESCRIPTION
---------	----------	-------------

8	532 12 36-51	Shaft, Steering
9	532 12 42-10	Clip, Steering
10	532 12 34-38	Bushing, Lower, Steering
11	812 00 00-45	Ring, Retaining
12	734 11 85-71	Washer 21/32 x 1 x 16 Ga
13	532 10 48-20	Adaptor, Wheel, Steering

HARDWARE SHOWN LARGER FOR EASIER IDENTIFICATION

REPAIR PARTS

SECTOR GEAR / AXLE SUPPORT

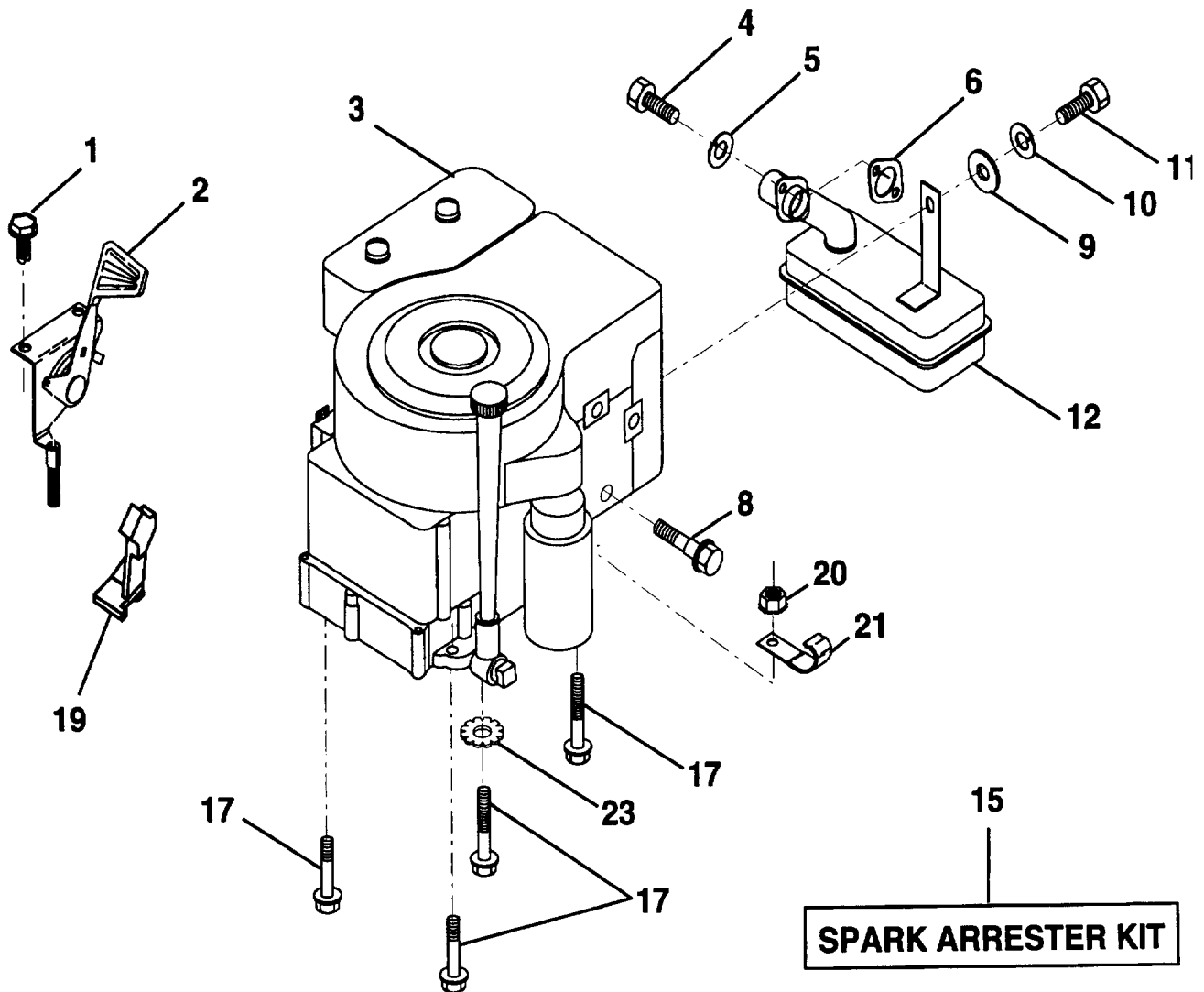


KEY PART NO.	NO.	DESCRIPTION	KEY PART NO.	NO.	DESCRIPTION
1	532 13 25-66	Link, Drag	11	734 11 72-01	Washer, 13/32x13/16x16Ga
2	874 78 08-28	Bolt, Fin Hex 1/2-13 x 1-3/4	12	532 12 68-47	Bushing
5	532 12 19-26	Gear, Sector	13	874 78 05-12	Bolt, Hex Hd. 5/16-18 UNC x 3/4
6	532 12 19-27	Bushing	14	734 11 65-41	Washer 11/32 x7/8 x16 Ga
7	873 68 08-00	Nut, Heavy Hex Top Lock 1/2-13 UNC	15	872 11 06-06	Bolt, Carriage 3/8-16 UNC x 3/4
8	532 12 64-72	Clip, Insulated	17	532 13 70-96	Support, Front Axle
9	873 68 08-00	Nut, Crownlock 3/8-16	20	873 68 06-00	Nut, Lock Hex w/Ins. 3/8-16 UNC
10	876 02 04-12	Pin, Cotter 1/8 x 3/4	21	873 80 05-00	Nut, Lock Hex wANsh 5/16-18

HARDWARE SHOWN LARGER FOR EASIER IDENTIFICATION

REPAIR PARTS

ENGINE / THROTTLE

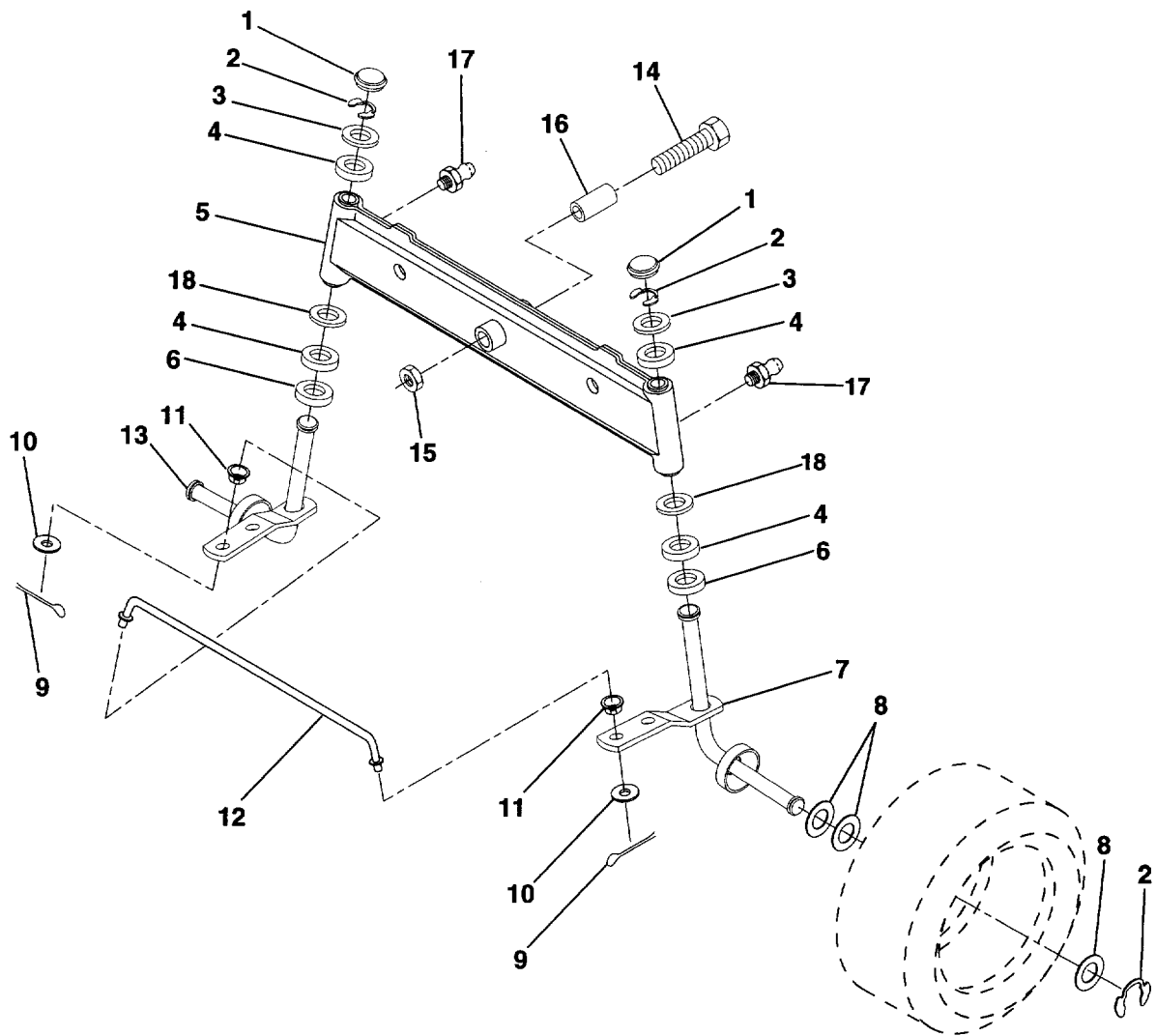


KEY PART NO.	PART NO.	DESCRIPTION	KEY PART NO.	PART NO.	DESCRIPTION
1	817 06 04-08	Screw, HexThd. Cut 1/4-20x 1/2	10	810 04 04-00	Washer, Lock Hvy Hlcl Spring 1/4
2	532 13 30-25	Control, Throttle	11	-----	Bolt, Hex Fin (Order From Eng. Mfg.)
3	-----	Engine, Briggs and Stratton Model No. 283707	12	532 13 74-37	Muffler
4	871 07 05-12	Screw, Hex, Cap 5/16-18 x 3/4	15	532 13 71-80	Arrester, Spark (Optinal equipment)
5	810 04 05-00	Washer, Lock Heavy Helical Spring 5/16	17	874 78 06-24	Screw, Hex Washer Head Thdrol 3/8-16 x 1-1/2
6	532 12 55-93	Gasket, Exhaust	19	532 12 79-51	Stop, Throttle
8	532 12 10-94	Bolt, Shoulder 5/16-18	20	873 22 06-00	Nut, Keps Hex 3/8-16
9	734 11 54-41	Washer 5/16 x 3/4 x 16	21	532 00 27-51	Clip, Line Fuel
			23	810 04 06-00	Washer Lock Ext. Tooth 3/8

HARDWARE SHOWN LARGER FOR EASIER IDENTIFICATION

REPAIR PARTS

FRONT AXLE

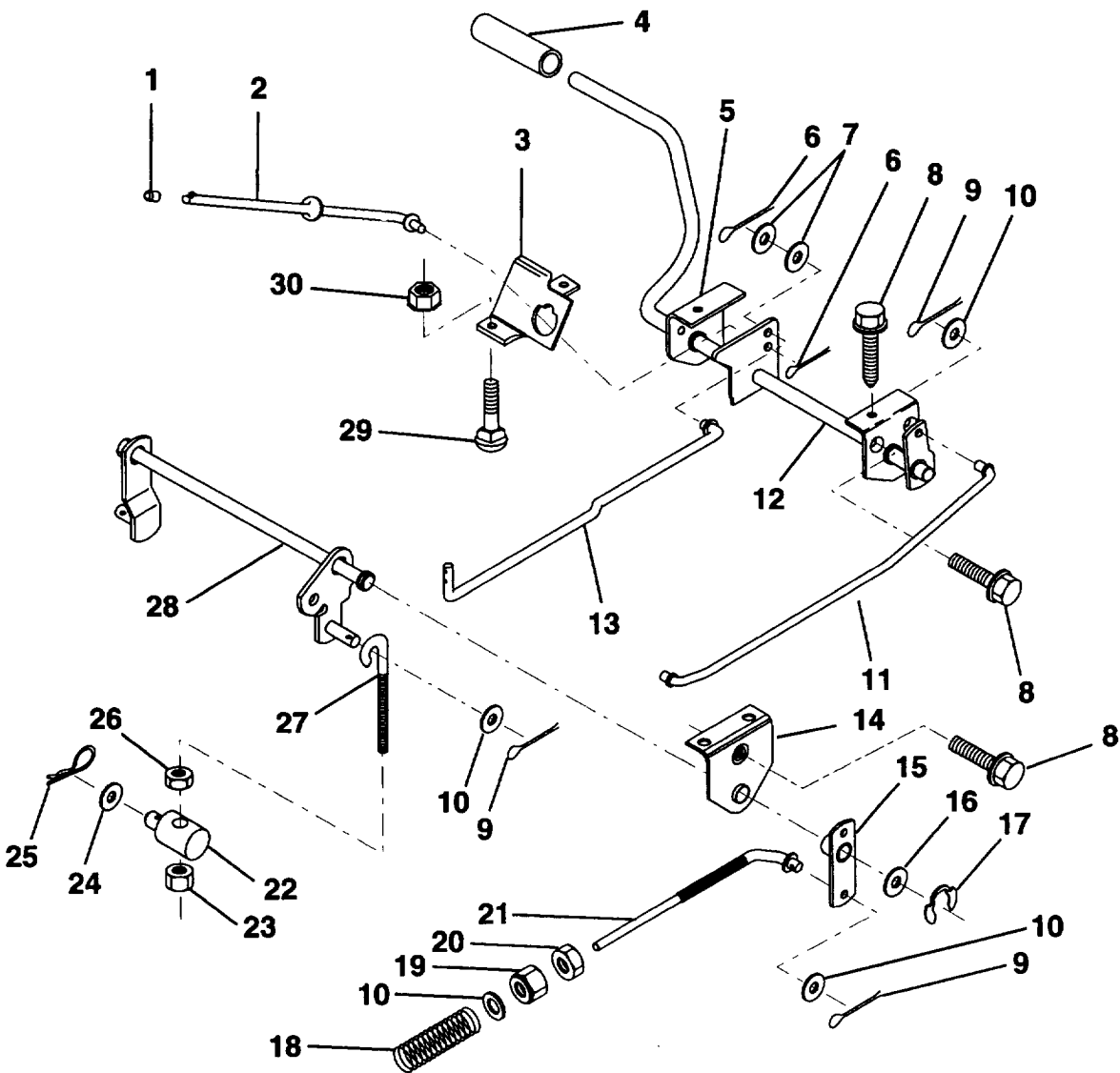


KEY PART NO.	PART NO.	DESCRIPTION	KEY PART NO.	PART NO.	DESCRIPTION
1	532 12 12-32	Cap,Spindle	10	734 11 72-01	Washer13/32x13/16x16Ga
2	812 00 00-29	Ring, Clip	11	532 12 68-47	Bushing
3	532 12 17-48	Washer25/32x1-5/8x16Ga	12	532 13 04-65	Rod,Tie
4	532 00 33-66	Nyliner	13	532 13 70-61	Spindle, LH Asm
5	532 14 20-33	Axle, Front	14	874 01 10-56	Bolt Hex 5/1-11 x 3-1/2
6	532 00 62-66	Bearing, Thrust	15	873 68 10-00	Nut, Lock Flange 5/8-11
7	532 13 70-62	Spindle, RHAsm	16	532 11 04-38	SpacerBearingAxle
8	532 12 17-49	Washer 25/32 x 1 -1 /4 x 16 Ga	17	532 12 48-36	Fitting Brease
9	876 02 04-12	Pin,Cotter1/8x3/4	18	819 27 20-16	Washer27/32x1-1/4x16Ga

HARDWARE SHOWN LARGER FOR EASIER IDENTIFICATION

REPAIR PARTS

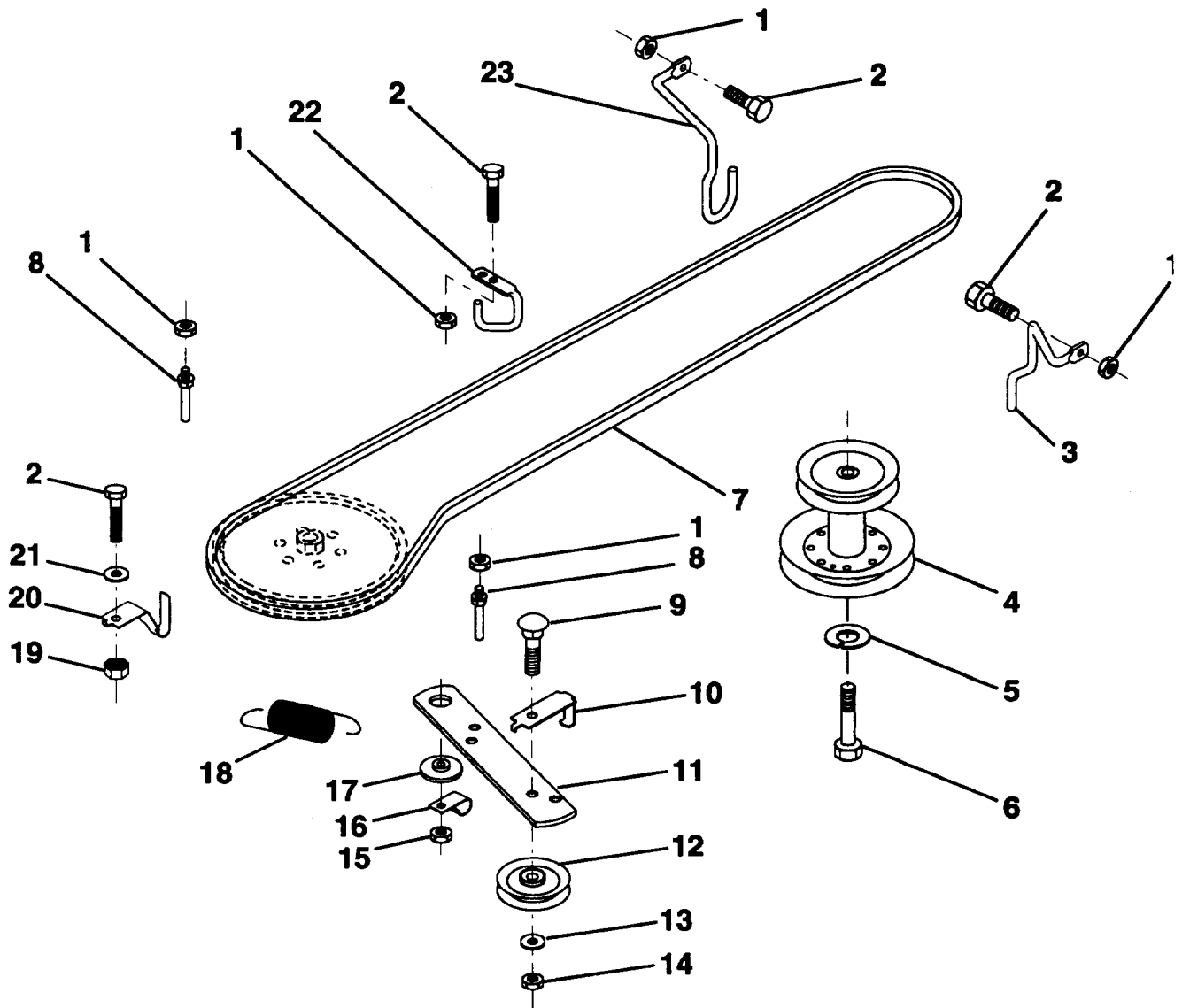
BRAKE / REAR MOWER LIFT LEVER



KEY PART NO.	NO.	DESCRIPTION	KEY PART NO.	NO.	DESCRIPTION
1	532 07 16-73	Cap, Plunger	16	819 25 18-16	Washer 25/32 x 1-1/8 x 16 Ga
2	532 12 34-36	Rod, Parking Brake	17	812 00 00-34	Ring, Klip
3	532 12 34-37	Bracket, Parking Brake	18	532 10 68-88	Spring, Brake Rod
4	532 12 48-72	Cover, Pedal	19	873 22 06-00	Nut, Hex, Jam 3/8-16 UNC
5	532 12 25-04	Bracket, Clutch/Brake Pedal, LH	20	873 68 06-00	Locknut, Hex w/Washer Insert 3/8-16 UNC
6	876 02 03-12	Pin, Cotter 3/32 x 3/4	21	532 13 14-60	Rod, Rear Brake
7	734 11 71-71	Washer 13/32x5/8x16Ga	22	532 12 73-78	Trunnion, Lift
8	817 49 05-08	Screw, Hex, Thd. Roll. 5/16-18 x 1/2	23	873 68 06-00	Nut, Lock Hex w/NYsh 3/8-16 UNC
9	876 02 04-12	Pin, Cotter 1/8 x 3/4	24	734 11 74-41	Washer 13/32 x 1-1/4 x 12 Ga
10	734 11 72-01	Washer 13/32x13/16x16Ga	25	532 00 49-21	Spring, Retainer
11	532 12 35-43	Rod, Brake Front	26	873 68 06-00	Nut, Centerlock 3/8-16 UNC
12	532 13 99-33	Assembly, Clutch/Brake Pedal	27	532 12 73-69	Link, Threaded
13	532 12 33-94	Rod, Clutch	28	532 14 07-76	Assembly, Rear Mower Lift
14	532 12 19-78	Bracket, Lift, Shaft	29	872 11 05-06	Bolt, Carriage 5/16-18 UNC x 3/4
15	532 13 33-32	Assembly, Brake, Pivot, Arm	30	873 68 05-00	Nut, Keps 5/16-1 6 UN-C

REPAIR PARTS

GROUND DRIVE

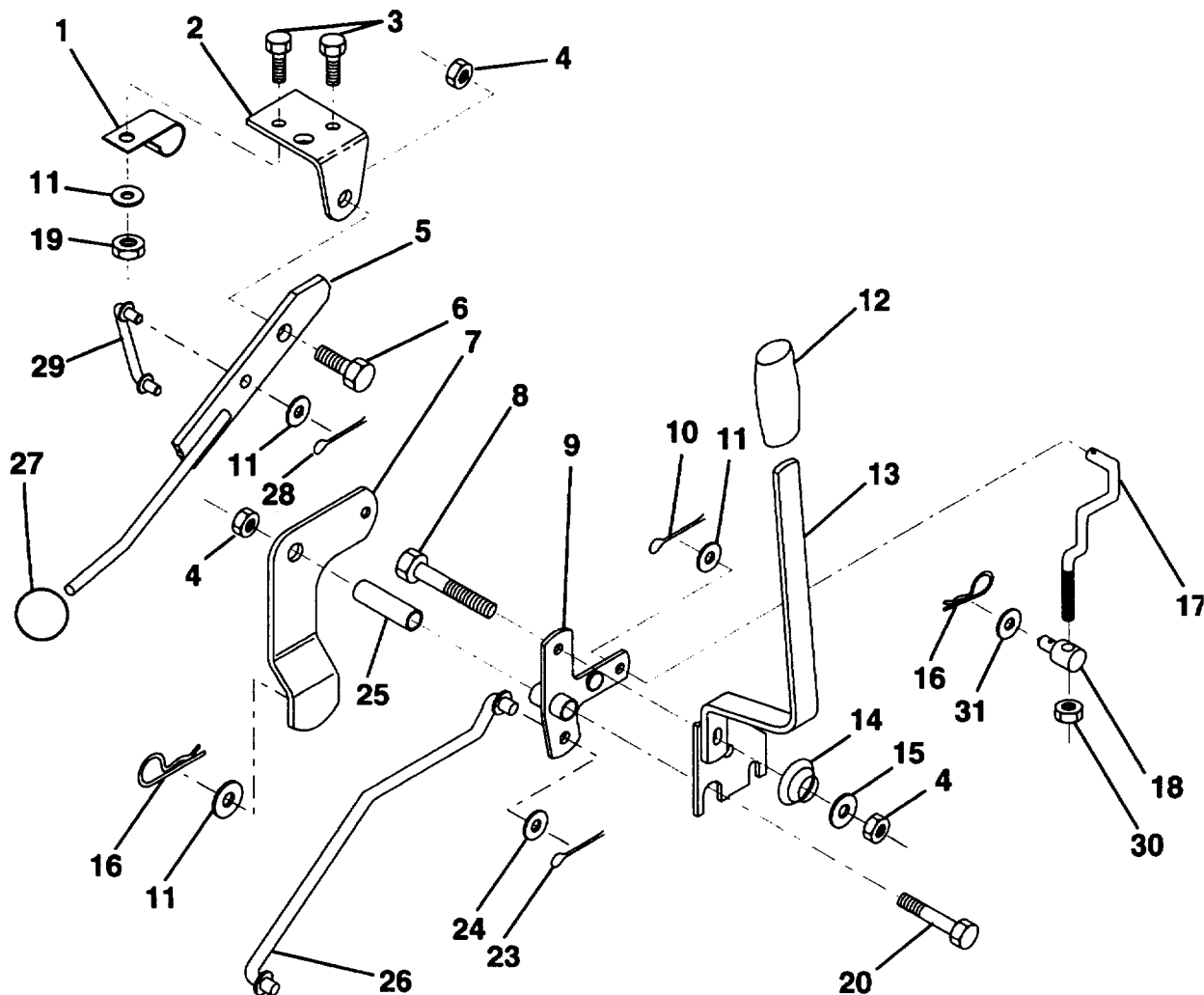


KEY PART NO.	PART NO.	DESCRIPTION	KEY PART NO.	PART NO.	DESCRIPTION
1	873 68 05-00	Nut, Lock Hex w/Ins. 5/16-18	13	734 11 72-01	Washer 13/32 x 13/16 x 16 Ga
2	874 78 05-12	Bolt, Hex Hd 5/16-18 UNC x 3/4	14	873 68 06-00	Nut, Centerlock 3/8-16 UNC
3	532 14 09-16	Keeper, Mower Drive, RH Correction: L.H.	15	873 68 06-00	Nut, Lock Hex w/Wsh 3/8-16 UNC
4	532 13 80-29	Pulley, Engine	16	532 12 64-71	Clip, Insulated
5	810 04 07-00	Washer, Lock 7/16	17	532 12 20-52	Spacer, Retainer
6	871 17 07-44	Bolt, Fin Hex 7/16-20 Gr 5	18	532 13 14-59	Spring Extension
7	532 12 65-20	Traction, V-Belt Drive	19	873 68 05-00	Nut, Keps 5/16-18 UNC
8	532 12 34-05	Keeper, T/A Ground Drive Belt	20	532 13 99-19	Keeper, T/A Ground Drive Belt
9	872 14 06-12	Bolt, Carr, 3/8-16 UNC x 1-1/2	21	734 11 63-01	Washer 11/32 x 5/8 x 16 Ga
10	532 12 33-96	Keeper, Belt Ground Drive Idler	22	532 12 34-04	Keeper, Frame Ground Drive Belt
11	532 14 09-11	Arm, Ground Drive Clutch	23	532 14 13-42	Keeper, Mower Drive, LH Correction: R.H.
12	532 12 36-74	Idler, Flat			

HARDWARE SHOWN LARGER FOR EASIER IDENTIFICATION

REPAIR PARTS

MOWER LIFT LEVER



KEY PART NO. NO.

DESCRIPTION

1	532 12 64-70	Clip, Insulated
2	532 12 20-18	Bracket, MowerClutch
3	874 78 04-08	Bolt, Fin Hex 1/4-20 UNC x 1/2 Gr. 5
4	873 68 06-00	Nut, Lock Hex wN4sh 3/8-16 UNC
5	532 12 34-17	Assembly, Clutch Lever
6	532 10 64-51	Bolt, Shoulder
7	532 13 53-71	Assembly, MowerClutch Arm
8	874 76 06-36	Bolt, Hex 3/8-16 UNC x 2-114
9	532 12 19-30	Assembly, Bellcrank Lift
10	876 02 04-12	Pin, Cotter 1/8 x 3/4
11	734 11 72-01	Washer 13/32 x 13/16 x 16 Ga
12	532 12 20-27	Grip, Handle
13	532 13 93-52	Assembly, Lift Handle
14	532 12 34-96	Spring, Compression
15	734 11 72-01	Washer 13/32 x 3/4 x 12 Ga

KEY PART NO. NO.

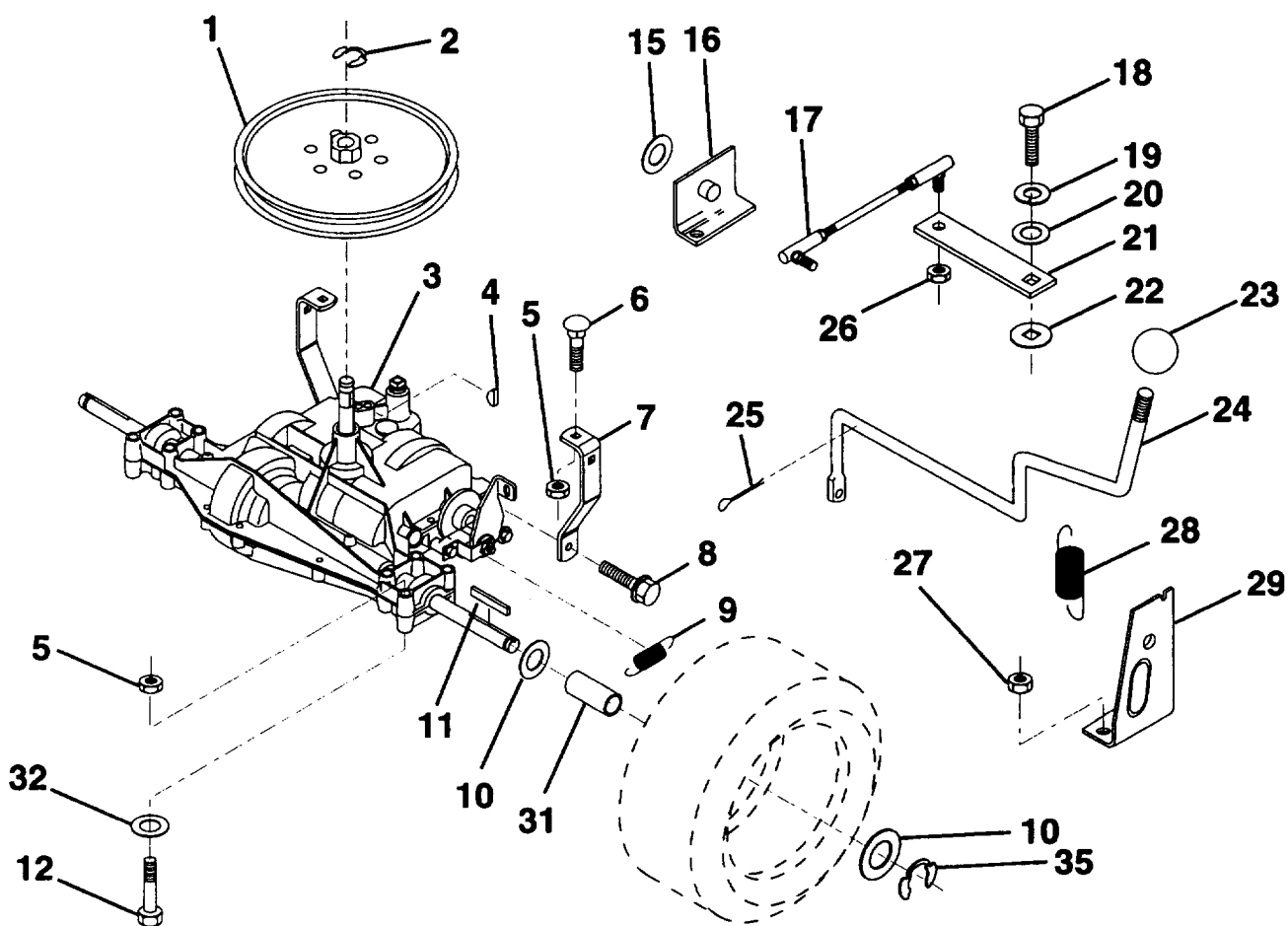
DESCRIPTION

16	532 00 49-21	Retainer, Spring
17	532 12 73-59	Link, FrontLift
18	532 14 20-28	Trunnion, Threaded 3/8-16
19	873 68 04-00	Nut, Crownlock 1/4-20
20	874 76 06-44	Bolt, Fin Hex 3/8-16 UNC x 2-3/4
23	876 02 04-16	Pin, Cotter 1/8 x 1
24	734 11 78-01	Washer 17/32x1x12Ga
25	532 12 19-33	Tube, Spacer
26	532 14 14-70	Rod, Mower Lift
27	532 12 14-66	Knob
28	876 02 03-12	Pin, Cotter 3/32 x 3/4
29	532 13 16-55	Link, MowerClutch
30	873 22 06-00	Nut Hex Jam 3/8-16 x 1.30
31	734 11 74-41	Washer 13/32x1-1/4x12Ga

HARDWARE SHOWN LARGER FOR EASIER IDENTIFICATION

REPAIR PARTS

TRANSAXLE

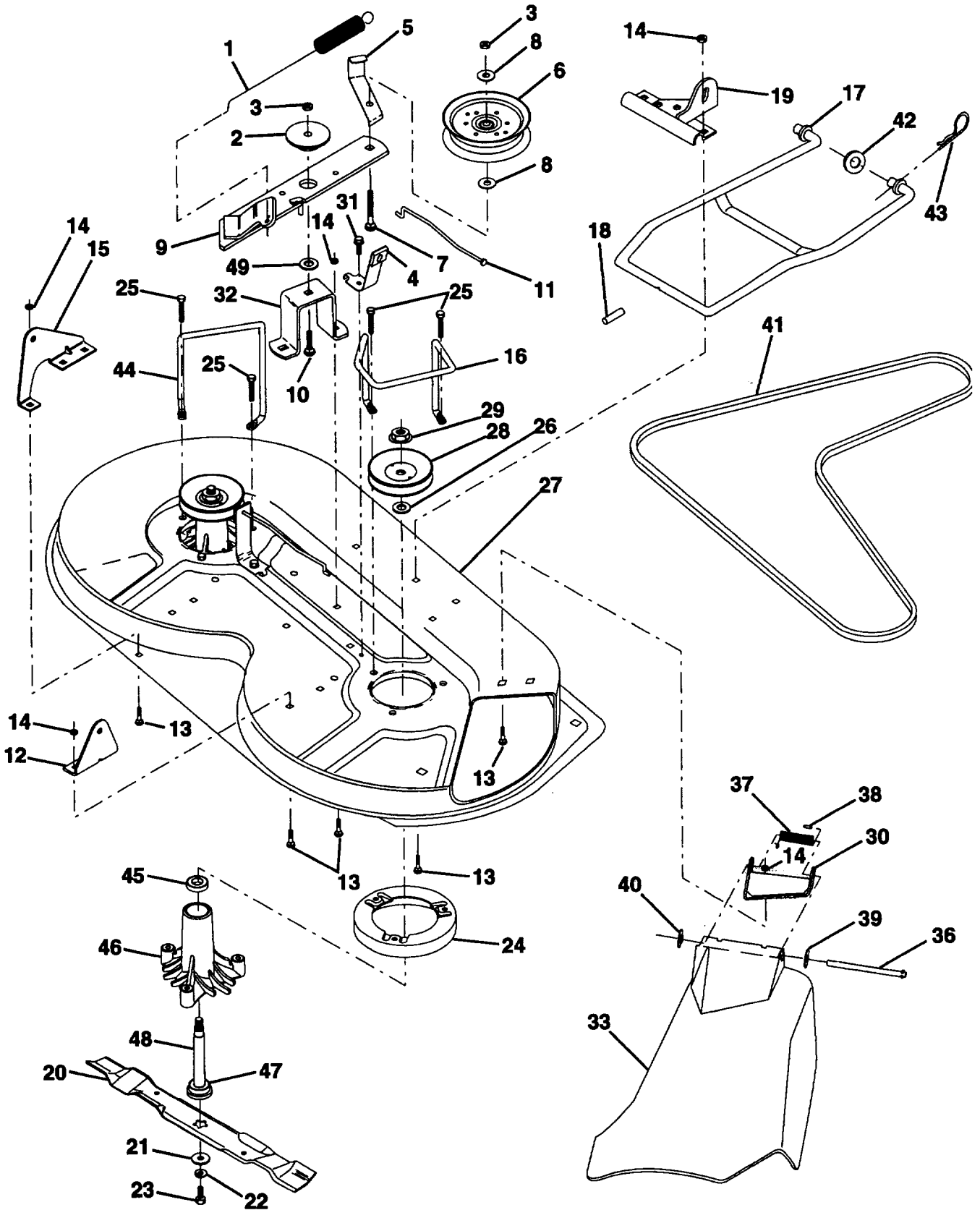


KEY PART NO.	PART NO.	DESCRIPTION	KEY PART NO.	PART NO.	DESCRIPTION
1	532 12 33-85	Pulley	18	871 04 04-12	Bolt, Fin Hex 1/4-28 UNF x 3/4 Gr. 8
2	532 00 22-67	Ring, Retainer	19	810 04 04-00	Washer, Lock 1/4
3	-----	Transaxle, Peerlees 4 Spd. Model No. 930-009	20	734 11 54-41	Washer 9/32 x 3/4 x 10 Ga
4	532 12 50-96	Key, Woodroff#9	21	532 12 62-92	Arm, Shift
5	873 80 05-00	Nut, Lock Hex w/Ins. 5/16-18	22	532 10 57-01	Washer, Shift Plate
6	872 14 05-06	Bolt, Carriage 5/16-18 UNC x 3/4	23	532 12 12-74	Knob, Duckhead
7	532 12 33-78	Strap, Torque	24	532 12 82-15	Shift Rod
8	874 78 05-12	Screw 5/16-18 x 3/4	25	876 02 04-16	Pin, Cotter 1/8 x 1
9	532 11 04-22	Spring, Brake	26	873 61 05-00	Locknut 5/16-24 UNF
10	532 12 17-49	Washer 25/32x 1-1/4x 16Ga	27	873 68 05-00	Nut, Keps 5/16-18
11	532 12 35-83	Key, Square	28	532 12 80-85	Extension, Spring
12	874 76 05-40	Bolt, FinHex 5/16-18x2-1/2	29	532 12 80-84	Support, Handle Shift RH
15	734 11 78-01	Washer 17/32 x 1 x 16 Ga	31	532 13 70-57	Spacer Axle
16	532 12 46-00	Support, Handle Shift LH	32	734 11 63-01	Washer 11/32 x 11/16 x 16 Ga
17	532 12 62-93	Link, Shift	35	812 00 00-01	E-Ring

HARDWARE SHOWN LARGER FOR EASIER IDENTIFICATION

REPAIR PARTS

MOWER DECK



REPAIR PARTS

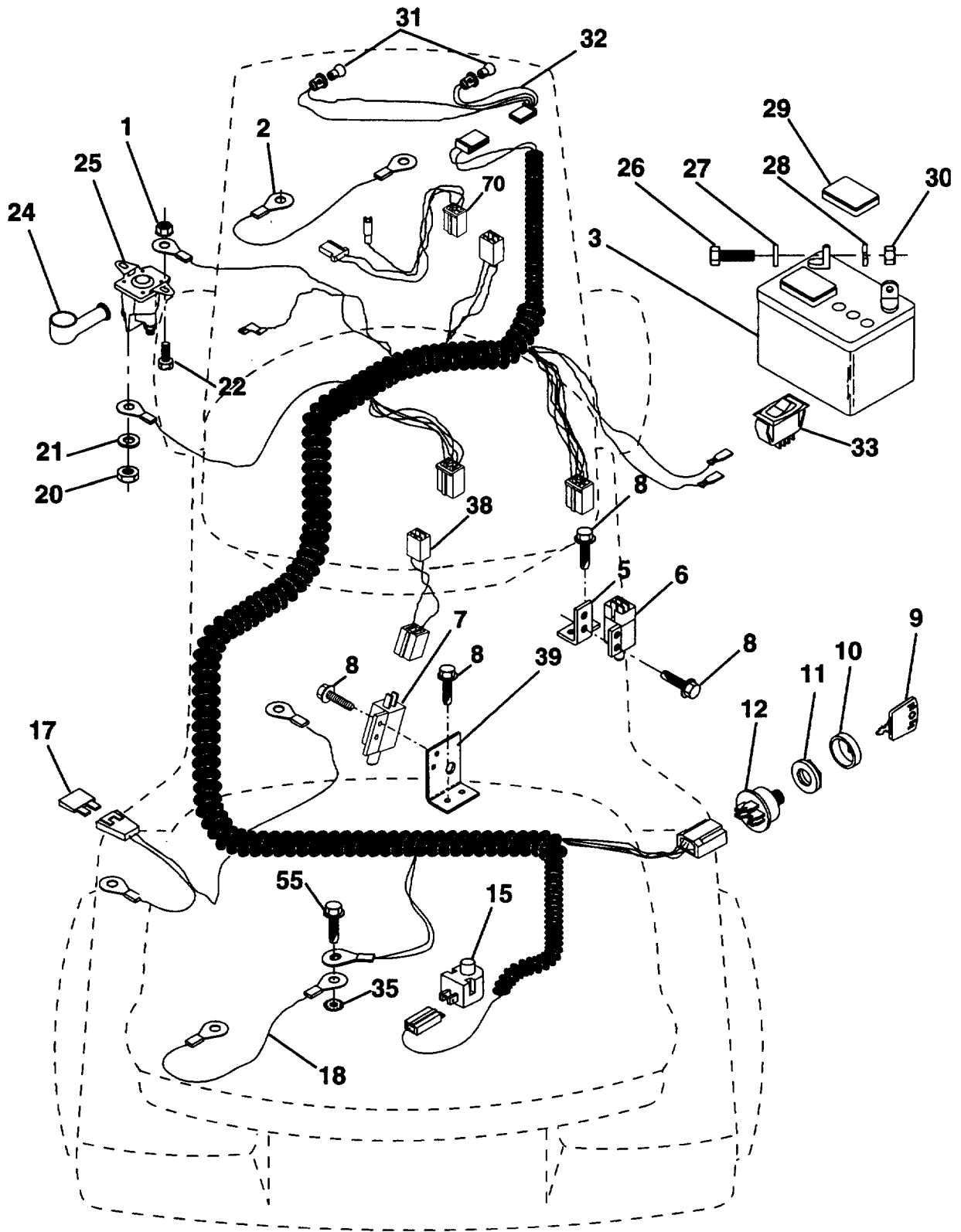
MOWER DECK

KEY NO.	PART NO.	DESCRIPTION
1	532 14 00-64	Spring, MowerClutch
2	532 12 20-52	Spacer, Retainer
3	873 68 06-00	Nut, Lock Hex w/ANsh 5/16-18
4	532 13 08-40	Brake Asm
5	532 13 12-51	Guide, Belt Idler
6	532 12 36-74	Pulley, Flat Idler
7	872 11 06-16	Bolt, Carr. 3/8-16 x 1-3/4 Gr 5
8	734 11 72-01	Washer 13/21 x 7/8 x 10 Ga
9	532 14 00-92	Arm Asm., Idler Mower
10	872 14 06-10	Bolt, Carriage 3/8-16 x 1
11	532 13 08-41	Rod, Brake
12	532 12 73-56	Bracket, Lift RH Rear
13	872 14 05-06	Bolt, Carriage 5/16-18 x 5/8
14	873 80 05-00	Nut, Lock Hex w/Ins 5/16-18
15	532 12 73-57	Bracket, Lift LH Rear
16	532 14 00-93	Keeper, RH
17	532 12 85-08	Link, Asm. Mower Stabilizer
18	532 12 85-11	Pin, Drive
19	532 12 73-80	Bracket, Asm. Front
20	532 14 01-01	Blade Mulching
21	532 14 02-96	Washer, Hard
22	810 04 06-00	Washer, Lock3/8
23	532 85 08-57	Bolt 3/8-24 x 1-1/4 Gr. 8
24	532 14 03-29	Stripper
25	532 13 87-76	Screw Thdrol Hex Hd
26	532 12 99-63	Washer .150 Thk.
27	532 12 99-83	Deck Assembly
28	532 12 92-07	Pulley, Mandrel
29	532 13 72-66	Nut, Flangelock9/16
30	532 13 66-31	Bracket, Asm. Deflector
31	817 49 05-08	Screw, Hex Wsh. Thdrol 5/16-18 x 1/2
32	532 12 20-51	Arm, Support IdlerMower
33	532 13 15-60	Deflector
36	532 12 19-80	Rod, Hinge
37	532 12 37-13	Spring, Torsion Deflector
38	532 10 53-04	Cap, Sleeve
39	734 11 63-01	Washer 11/32 x 5/8 x 16 Ga
40	532 11 04-52	Pushnut
41	532 13 12-64	V-Belt
42	734 11 78-01	Washer 11/32 x 5/8 16 Ga
43	532 12 46-60	Retainer, Spring
44	532 14 06-08	Keeper, LH
45	532 11 04-85	Bearing
46	532 12 87-74	Housing Mandrel Vented
47	532 12 98-95	Bearing
48	532 13 76-45	Shaft, Mandre (Includes Key # 47)
49	532 13 39-43	Washer Hardened
--	532 13 07-94	Mandrel Asm. (Includes Key No.'s 22-23, 26, 29 and 4548)
--	532 14 09-79	Deck, MowerComplete

HARDWARE SHOWN LARGER FOR EASIER IDENTIFICATION

REPAIR PARTS

ELECTRICAL



REPAIR PARTS

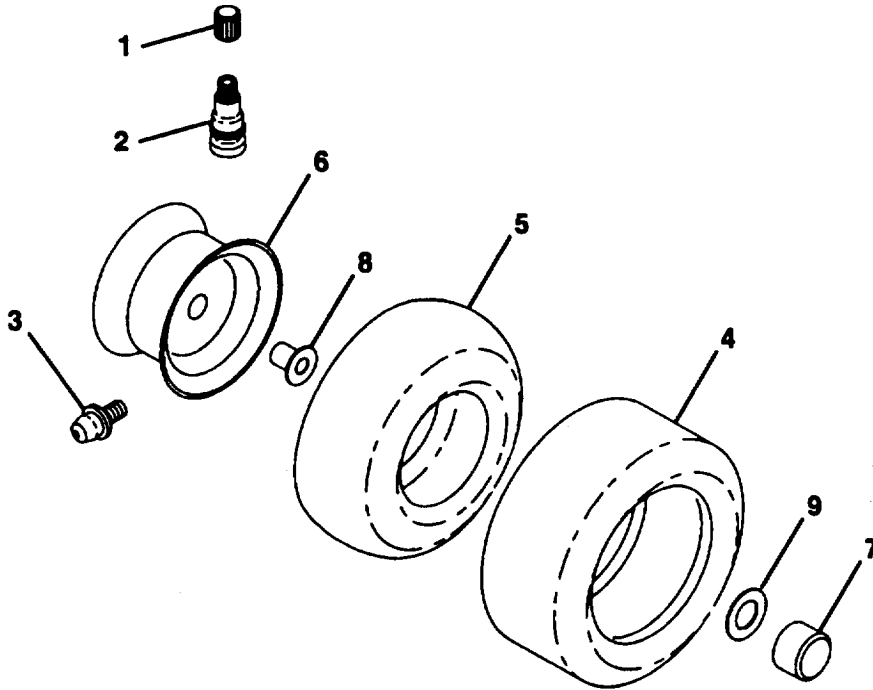
ELECTRICAL

KEY NO.	PART NO.	DESCRIPTION
1	873 68 04-00	Nut, Hex Keps 1/4-20
2	532 10 84-23	Assembly, Cable
3	532 12 38-88	Battery
5	532 10 82-36	Bracket, Switch
6	532 10 44-45	Switch, Interlock(4-terminal)
7	532 10 95-53	Switch, Interlock (2-terminal)
8	817 02 10-08	Screw, Hex Hd. Self-Tapping #10-24 x 1/2
9	532 14 04-01	Key, Molded
10	532 14 12-26	Cover, Key Ignition
11	532 14 04-00	Nut, Ignition
12	532 14 03-99	Switch, Ignition
15	532 12 13-05	Switch, Plunger
17	532 10 88-24	Fuse
18	532 12 83-53	Assembly, Cable
20	873 22 04-00	Nut, Hex Jam 1/4-20
21	810 04 04-00	Washer, Lock 1/4
22	874 78 04-08	Bolt, Fin Hex 1/4-20 UNC x 1/2 Gr. 5
24	532 13 15-63	Cover, Terminal
25	532 10 99-46	Solenoid
26	874 76 04-12	Bolt, Hex Hd. 1/4-20 UNC x 3/4
27	734 11 53-01	Washer 9/32 x 5/8 x 16
28	810 04 04-00	Washer, Lock 1/4
29	532 12 12-64	Cap, Battery
30	873 22 04-00	Nut, Fin Hex 1/4-20 UNC
31	532 00 41-52	Bulb, Light
32	532 13 68-50	Harness, Headlight
33	532 11 07-12	Switch, Light
35	810 04 05-00	Washer, Lock Ext. Tooth 5/16
38	532 14 06-60	Adapter Harness
39	532 14 17-35	Bracket Switch Clutch
55	817 49 05-08	Screw Thdrol 5/16-18 x 1/2
70	532 14 04-13	Harness Engine

HARDWARE SHOWN LARGER FOR EASIER IDENTIFICATION

REPAIR PARTS

WHEELS & TIRES



KEY PART NO.	PART NO.	DESCRIPTION
1	532 05 91-92	Cap, Valve
2	532 06 51-39	Stem, Valve
3	532 00 02-78	Fitting, Grease (Front Wheels Only)
4	532 12 34-10	Tire, Front
4	532 12 34-11	Tire, Rear
5	532 05 99-04	Tube, Front (Optional Service Items Only)
5	532 00 81-34	Tube, Rear (Optional Service Items Only)
6	532 14 16-51	Rim, front
6	532 14 16-52	Rim, Rear
7	532 10 47-57	Cap Axle
8	532 00 90-40	Bearing Plange
9	532 12 17-48	Washer 25132 x 1-5/8 x 16 Ga

HARDWARE SHOWN LARGER FOR EASIER IDENTIFICATION