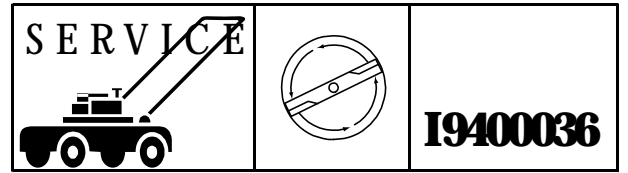


Jonsered



IPL, YTH16 42" , 1994-01

YTH16 42"

Spare parts

Ersatzteile

Pièces détachées

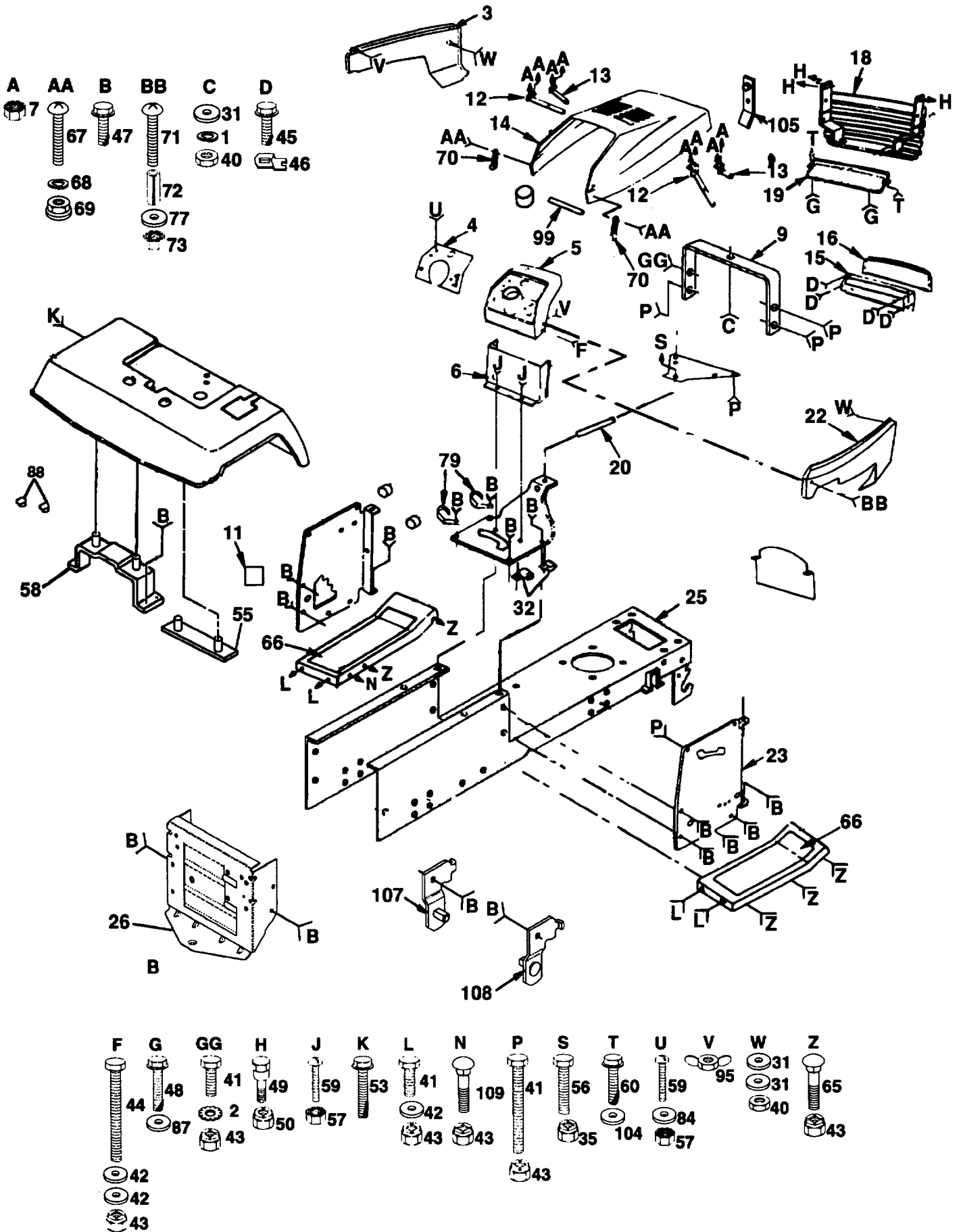
Reserve onderdelen

Repuestos

Reservdelar

REPAIR PARTS

ENCLOSURES



REPAIR PARTS

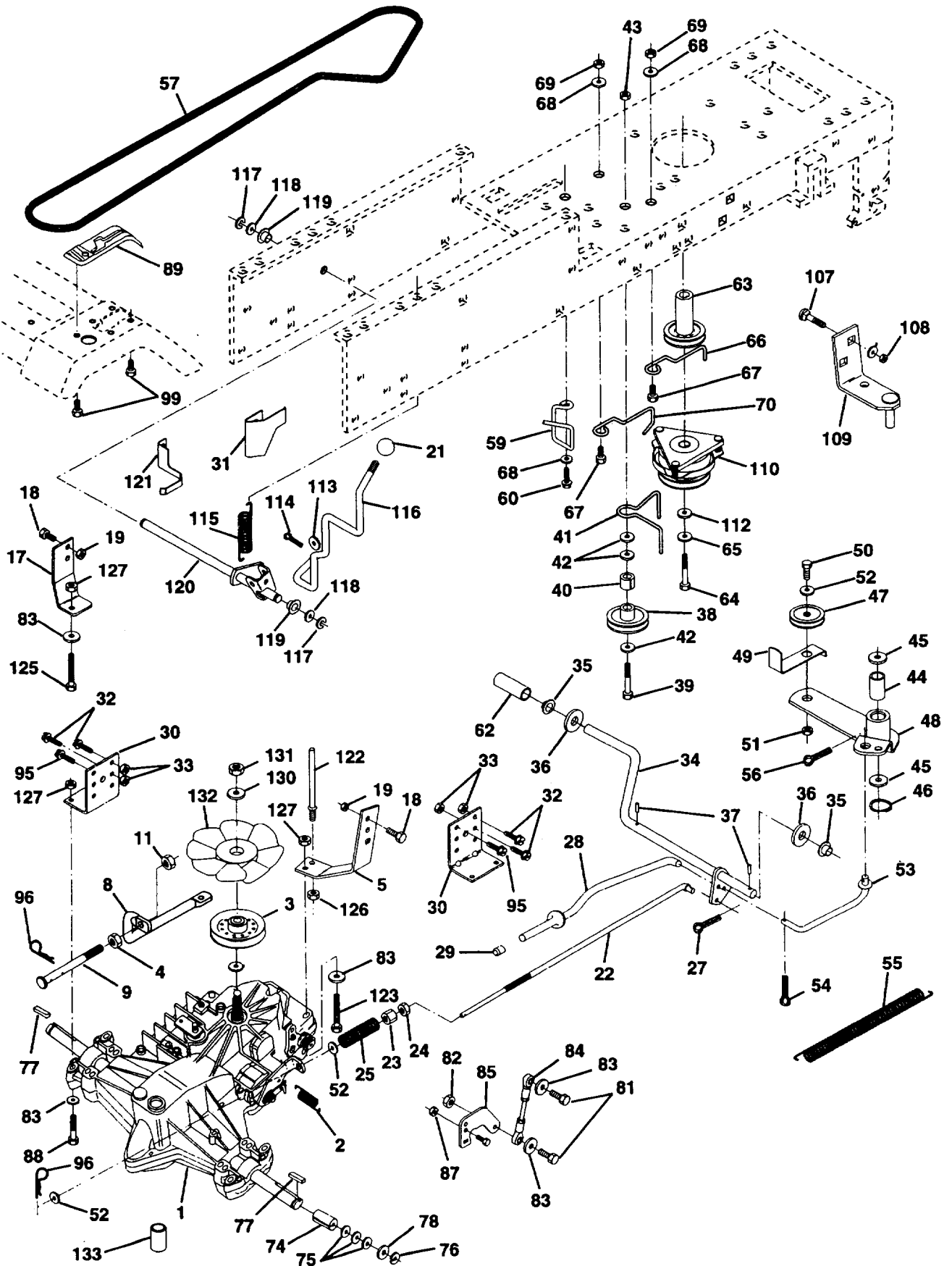
ENCLOSURES

KEY NO.	PART NO.	DESCRIPTION	KEY NO.	PART NO.	DESCRIPTION
1	810 04 04-00	Washer, Lock 1/4	49	533 30 40-86	Bolt, Shoulder 1/4-20
2	810 04 06-00	Washer, Lock Ext. Tooth 3/8	50	873 68 04-00	Nut, Crownlock 1/4-20
3	532 14 45-48	Panel, Side, L.H.	53	817 49 06-08	Screw, Hex Washer Head, Thread Forming 3/8-16 x 1/2 Type TT
4	532 14 21-22	Plate, Dash	55	532 14 06-75	Strap Asm Fender
5	532 14 03-98	Dashboard	56	874 76 05-32	Bolt, Hex 5/16-18 x 2" Grade 2
6	532 10 47-83	Dash, Lower	57	873 68 05-00	Nut, Keps 5/16-18
7	873 68 04-00	Nut, Hex Keps 1/4-20 UNC	58	532 13 71-13	Assembly, Bracket, Fender
9	532 12 41-30	Support, Dash	59	874 18 05-12	Screw, Truss Head 5/16-18 x 3/4
11	532 12 17-94	Cover Access	60	874 76 04-12	Screw, Hex Washer, Head 1/4-20 x 3/4
12	532 10 67-84	Assembly, Strap, Hinge, Rear	65	872 11 06-06	Bolt, Carriage 3/8-16 x 3/4
13	532 10 46-18	Assembly, Strap, Hinge, Front	66	532 10 82-56	Pad, Footrest
14	532 14 45-45	Hood	67	874 19 10-08	Screw, Cross Recess Pan Head Machine#10-24x 1/2
15	532 12 43-92	Assembly, Bezel	68	810 07 10-00	Washer, Lock #10
16	532 10 63-95	Lens	69	532 00 20-29	Nut, Weld
18	532 13 17-16	Assembly, Grill	70	532 10 98-08	Latch, Hood
19	532 13 83-25	Strap, Grill	71	874 98 10-20	Screw, Machine Cross Recess #10-24 x 1 -1/4
20	532 12 12-36	Spacer Split	72	532 00 72-06	Spacer, Split 10 x 3/4
22	532 14 45-47	Panel, Side, R.H.	73	873 27 10-00	Nut, Keps 10-24
23	532 13 69-70	Panel, Dash, R.H.	77	734 11 46-01	Washer 7/32 x 1/2 x 18 Ga.
25	532 14 03-41	Chassis	79	532 12 64-71	Clip, Insulator
26	532 14 03-56	Drawbar	84	734 11 63-01	Washer 11/32x11/16x16Ga.
31	734 11 54-41	Washer 9/32 x 3/4 x 16 Ga.	87	734 11 72-01	Washer 13/32 x 3/4 x 10 Ga.
32	532 00 27-51	Clip, Line Fuel	88	532 10 55-31	Nut Push Nylon
35	873 80 05-00	Nut, Lock Hex W/Ins. 5/16-18 UNC	95	532 12 31-98	Nut, Wing 14-20
40	873 22 04-00	Nut, Hex 1/4-20	99	532 10 50-37	Strip Foam
41	874 78 06-16	Bolt, Hex 3/8-16 x 1 Gr. 5	104	734 11 53-01	Washer, 9/32 x 3/8 x 16 Ga.
42	734 11 72-01	Washer 13/32 x 13/16 x 3/4	105	532 13 26-44	Tab, Grill
43	873 68 06-00	Nut, Lock Hex W/Ins. 3/8-16	107	532 13 98-86	Bracket, Asm. Pivot L.H., Mower, Rear
44	874 78 06-20	Bolt Fin Hex 3/8-16 x 1-1/4	108	532 13 98-87	Bracket, Asm. Pivot R.H., Mower Rear
45	817 21 10-10	Screw, Hex Wsh. Hd. Tap. #10-16 x 5/8	109	872 11 06-08	Bolt, Carriage 3/8-16 x 1
46	532 10 47-55	"J" Fastener			
47	874 78 06-12	Screw, Hex Washer Head, Thread Rolling 3/8-16 x 2/4 Type TT			
48	874 78 05-12	Screw, Hex Washer Head, Thread Rolling 5/16-18 x 3/4 Type TT			

NOTE: All component dimensions given in U.S. inches.
1 inch = 25.4 mm

REPAIR PARTS

DRIVE



REPAIR PARTS

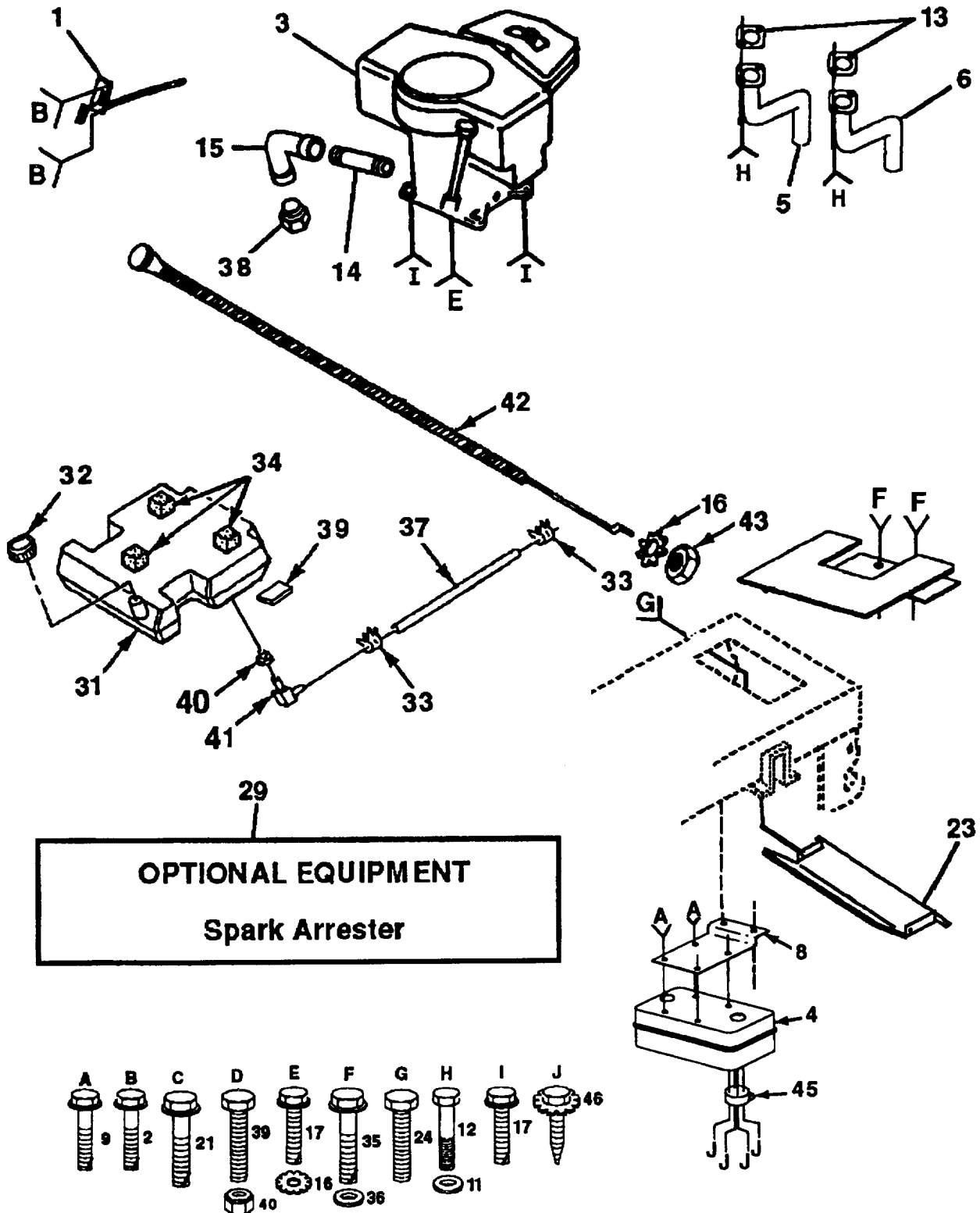
DRIVE

KEY NO.	PART NO.	DESCRIPTION	KEY NO.	PART NO.	DESCRIPTION
1	532 14 44-36	Transaxle Assembly	63	532 14 01-89	Pulley, Engine
2	532 14 24-31	Spring, Return, Brake	64	871 17 07-68	Bolt, hex
3	532 14 02-93	Pulley, Tránsaxle	65	810 04 07-00	Washer
4	873 22 05-00	Nut Hex Jam 5/16-18 UNC	66	532 10 57-30	Keeper Belt Engine
5	532 14 01-57	StrapTorque RH Hydro 18/20"T	67	874 78 06-16	Bolt
8	532 14 03-57	Control Bypass Hydro 18" Tires	68	734 11 72-01	Washer 13/32 x 13/16 x 12 Gauge
9	532 14 05-50	Rod Bypass Hydro 18/20"	69	873 68 06-00	Nut
11	873 80 05-00	Nut Lock Hex W/Ins 6/16-18 UNC P	70	532 12 12-18	Keeper Belt Engine
17	532 14 01-58	Starp Torque LH Hydro 18/20" T	74	532 12 11-99	Spacer, Split
18	874 78 06-16	Bolt Fin Hex 3/8-16 UNC x 1 Gr. 5	75	532 12 17-49	Washer 25/32 x 1-1/4 x 16 Gauge
19	873 68 06-00	Nut Lock Hex W/Wsh 3/8-16 UNC	76	812 00 00-01	E-Ring
21	532 12 12-74	Knob, Duckhead 1/2-13	77	532 12 35-83	Key, Square
22	532 14 02-17	Rod, Brake Hydro	78	532 12 17-48	Washer25/32 x 1-5/8x 16Gauge
23	873 22 06-00	Nut	81	874 78 05-20	Bolt Fin Hex 5/16-18 UNC x 1-1/4
24	873 68 06-00	Locknut	82	873 80 05-00	Nut Lock Hex W/Ins. 5/16-18 UNC P
25	532 10 68-88	Spring,BrakeRod	83	734 11 63-01	Washer11/32 x3/4x16 Gauge
27	876 02 04-12	Pin Cotter 1/8 x 3/4 CAD	84	532 14 05-48	Rod, Tie Hydro 20" Tires
28	532 13 32-61	Rod, Parking Brake	85	532 14 01-56	Arm, Control Hydro
29	532 07 16-73	Cap, Parking Brake	87	873 80 05-00	Nut Lock Hex W/Ins. 5/16-18 UNC P
30	532 13 08-07	Bracket, Transaxle	88	874 78 05-44	Bolt Fin hex 5/16-18 UNC
31	532 12 72-75	Keeper Belt LH	89	532 13 99-89	Console, Shift
32	874 78 05-12	Bolt Hex HD 5/16-18 UNC x 3/4	95	874 78 06-12	Screw, Thdroll. 3/8-16 x 1 Type TT
33	873 80 05-00	Nut Lock Hex W/Ins. 5/16-18 UNC	96	532 12 47-88	Retainer Spring 1" Zinc/Cad
34	532 12 24-24	Shaft, Foot Pedal	99	532 14 24-32	Screw
35	532 12 01-83	Bearing, Nylon	107	872 14 05-06	Boltcarriage 5/16-18
36	734 11 85-71	Washer	108	873 68 05-00	Nut, Crownlock 5/16-18
37	532 00 28-82	Pin, Roll	109	532 13 71-41	Bracket, Asm Mtg Clutch
38	532 12 36-74	Pulley, Idler, Flat	110	532 13 71-40	Clutch, Electric
39	874 76 06-44	Bolt	112	532 12 61-97	Washer 1-1/2 OD x 15/32 ID x .250
40	532 00 44-70	Spacer, Split	113	734 11 77-71	Washer 17/32 x 3/4 x 16 Gauge
41	532 10 90-70	Keeper,BeltRetainer	114	876 02 04-16	Pin Cotter1/8x1 CAD
42	734 11 72-01	Washer 13/32 x 13/16 x 12 gauge	115	532 12 37-82	Spring Torsion T/A
43	873 68 06-00	Nut	116	532 14 10-02	Rod Shift Fender YT
44	532 10 57-06	Bearing, Nylon	117	812 00 00-08	Ring Klip #5304-62
45	532 11 08-12	washer, Hardened	118	734 11 85-71	Washer 21/32 x 1 - 1/4 x 16 Gauge
46	812 00 00-39	Ring, Klip	119	532 07 12-08	Bushing Rod Steering 629/632 ID
47	532 12 77-83	Pulley, Idler, V-Groove	120	532 14 01-54	Shaft Asm. Cross Hydro 20" Tires
48	532 12 37-89	Bellcrank Assembly	121	532 14 04-70	Keeper Belt LH Hydro 0750. 18/20"
49	532 12 32-05	Retainer, Belt	122	532 14 04-69	Keeper Belt RH Hydro 0750. 18/20"
50	874 78 06-24	Bolt	123	874 78 05-36	Bolt Fin Hex 5/16-18 x 2-1 /4
51	873 68 06-00	Nut	125	874 78 05-24	Bolt Fin Hex 5/16-18 UNC x 1-1/2
52	734 11 72-01	Washer	126	873 22 06-00	Nut Keps Hex 3/8-16 UNC
53	532 10 57-10	Link, Clutch	127	873 80 05-00	Nut Lock hex W/Ins 5/16-18 UNC P
54	876 02 04-12	Pin	130	532 14 13-22	Washer Belleville .501D x 1.50D
55	532 10 57-09	Spring, return, Clutch	131	532 05 08-31	Nut Nylon Insert 1/2-20 Unf.
56	876 02 04-12	Pin	132	532 14 04-62	Fan, Hydro 7"
57	532 14 02-94	V-Belt, Ground Drive	133	532 14 24-54	Line Fuel Hydro 4"
59	532 14 03-12	Keeper, Center Span			
60	874 78 06-12	Screw Thdrol. 3/8-s6 x 3/4 Ty. TT			
62	532 12 48-72	Cover,Pedal			

NOTE: All component dimensions given in U.S. inches.
1 inch = 25.4 mm

REPAIR PARTS

ENGINE



REPAIR PARTS

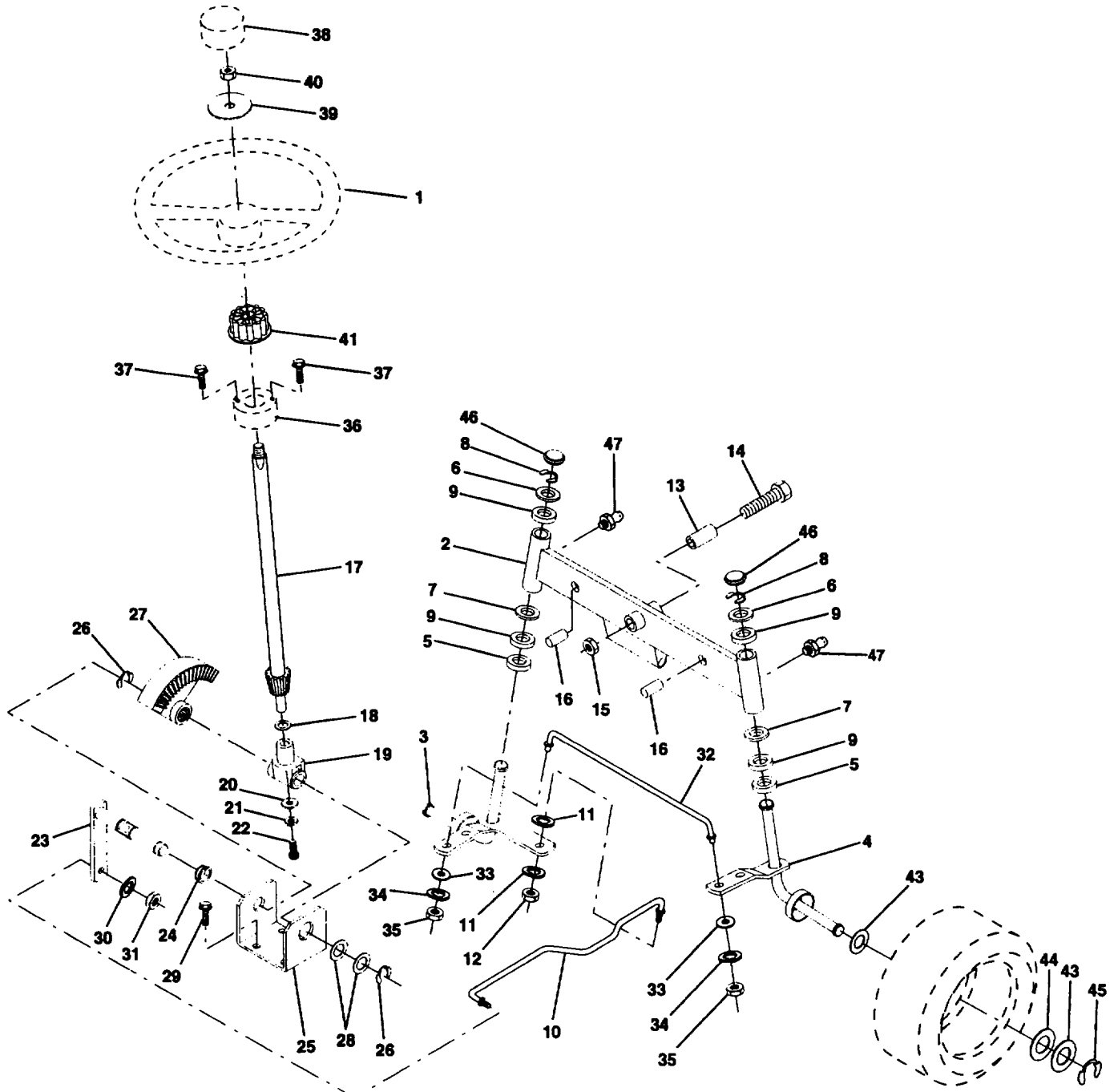
ENGINE

KEY NO.	PART NO.	DESCRIPTION
1	532 13 27-48	Control Throttle RH Blk Flg 44 75
2	874 78 04-10	Screw Hex Thd Cut 1 /4-20 x 5/8 T
3	-----	Engine B&S, Model No. 303777
4	532 12 24-40	Muffler Exhaust B&S Van Dom Eec
5	532 12 24-34	Tube Manifold LH
6	532 12 24-35	Tube Manifold RH
8	532 12 24-39	Bracket Muffler Mounting
9	874 78 04-08	Screw Hex Wsh Thd Cut 1/4-20
11	810 04 05-00	Washer Lock Hvy Spr (Order From Engine Manufacturer)
4	813 28 03-36	Nipple Pipe 3/8 Npt x 4-1/2"
15	813 20 03-00	Elbow Std 90 Degree 3/8-18 Npt
16	810 04 06-00	Washer Lock Ext Tooth 3/8
17	874 78 06-20	Screw Thdrol 3/8-16x1-1/4
23	532 12 89-53	Shield Heat Browning LT/YT
24	817 02 10-08	Screw Tap Hex #10-24 UNC x 1/2
29	532 13 71-80	Kit Spark Arrestor (Flat Scm)
31	532 14 10-69	Tank Fuel 3 50 Rear
32	532 14 05-27	Cap Asm Fuel
33	532 12 34-87	Clamp Hose Blk
34	532 10 60-82	Pad, Spacer
35	874 78 05-12	Screw Thdrol 5/16-18 x 3/4
36	734 11 74-41	Washer 13/32 x 1-1/4 x 12 Ga.
37	532 00 85-43	Line Fuel 54"
39	532 10 92-27	Pad, Idler
40	532 12 49-52	Bushing
41	532 13 92-77	Stem Tank Fuel
42	532 13 27-81	Choke Control
43	873 61 06-00	Nut, Fin Hex 3/8-24 Unf
45	532 10 13-26	Deflector Muffler
46	817 03 08-08	Screw Spiderloc Hex Hd #8 x 1/2

NOTE: All component dimensions given in U.S. inches.
1 inch = 25.4 mm

REPAIR PARTS

STEERING ASSEMBLY



REPAIR PARTS

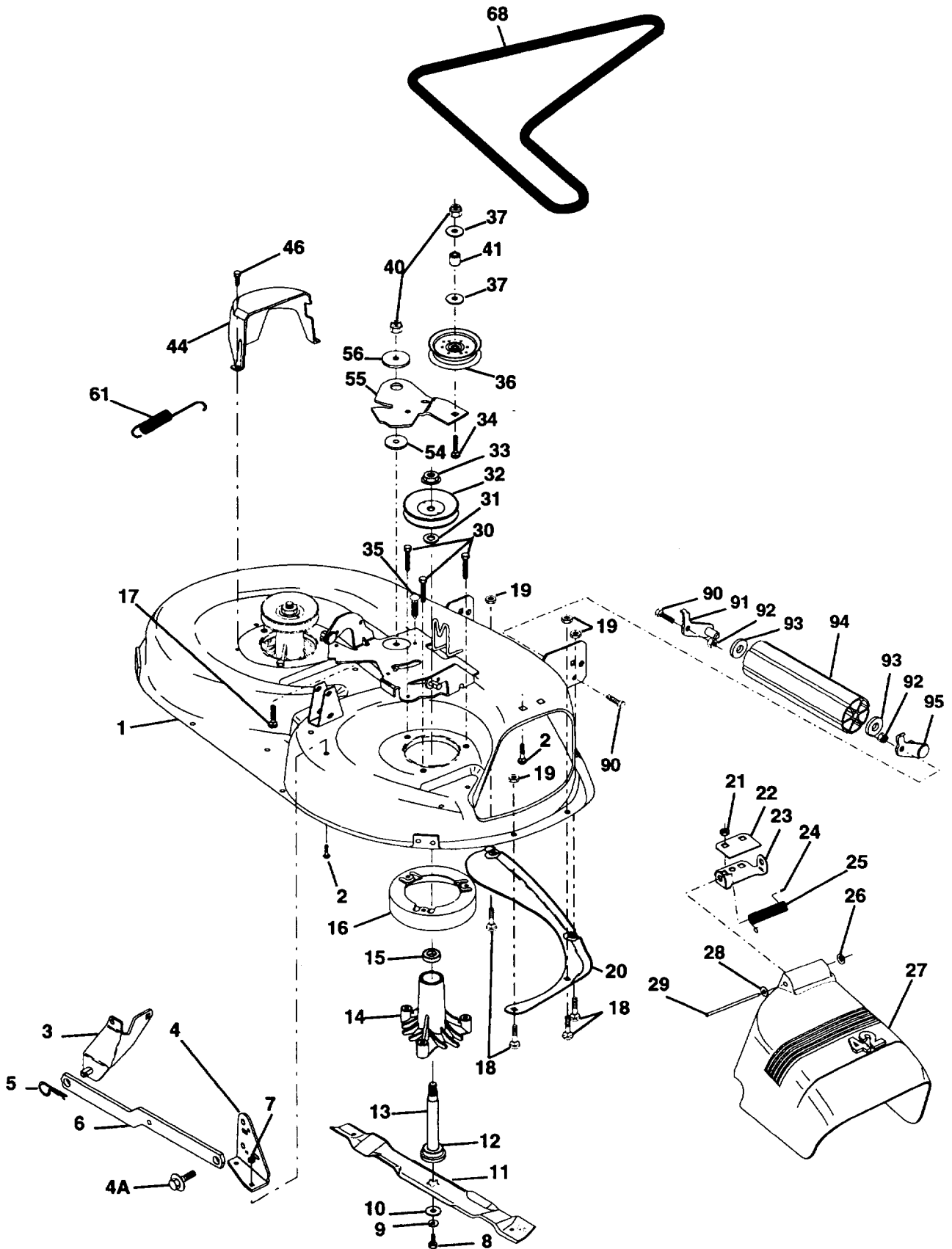
STEERING ASSEMBLY

KEY NO.	PART NO.	DESCRIPTION
1	532 13 97-68	Wheel Steering Opp Sears Blk
2	532 14 20-33	Axle Asm Fr LT W/gzks 38/42
3	532 13 52-27	Spindle Asm LH
4	532 13 52-28	Spingle Asm RH
5	532 00 62-66	Bearing Race Thrust Harden
6	532 12 17-48	Washer 25/32 x 1 -5/8 x 16 Ga.
7	819 27 20-16	Washer 27/32 x 1 -1 /4 x 16 Ga.
8	812 00 00-29	Ring Klip #5304-75
9	532 00 33-66	Bearing Col Strg Blk
10	532 13 04-68	Link Drag Sol Ball Jt 20 064
11	810 04 06-00	Washer Lock Hvy Hlcl Spr 3/8
12	873 61 06-00	Nut Fin 3/8-24 Unf
13	532 11 04-38	Spacer Bearing Axle Front
14	874 01 10-56	Bolt Hex 5/8-11 UNC x 3-1 /2
15	873 68 10-00	Nut Lock Flange 5/8-11 UNC
16	532 13 26-24	Pin Axle 5/8 x 1 55/1 54 Lg
17	532 12 87-58	Shaft Asm Strg 18 31.3/4 YP LT
18	532 05 70-79	Washer Thrust 515 x 750 x 033
19	532 12 40-35	Suport Shaft
20	532 12 66-84	Washer Shim 1/4 x 5/8 x 062
21	810 04 04-00	Washer Lock Hvy Helical 1/4
22	871 07 04-10	Screw Hex Socket 1/4-20 x 5/8
23	532 12 75-01	ShaftAsm Pittman
24	532 10 98-16	Nyliner Snap In
25	532 12 40-36	Bracket Steering
26	812 00 00-29	Ring Klip #5304-75
27	532 13 68-74	Gear Sector
28	532 00 62-66	Bearing Race Thrust Harden
29	874 78 06-12	Screw Thdrol 3/8-16 x 3/4 Ty-tt
30	810 04 06-00	Washer Lock Hvy Hlcl Spr 3/8
31	873 61 06-00	Nut Fin Hex 3/8-24 Unf
32	532 13 04-67	Rod Tie Wire Form 19 75 Elec
33	734 11 63-01	Washer 11/32 x 3/4 x 16 Ga.
34	810 04 05-00	Washer, Lock, Hvy Hlcl Spr 5/16
35	873 61 05-00	Locknut 5/16-24 Unf
36	532 12 47-20	Bushing Strg Blk 742//47 Id
37	817 21 10-08	Screw Slftp #10- 16 x 1/2 Ty-b
38	532 14 01-75	Cap Strg Wh P/L Oppsrs
39	532 10 07-12	Washer 53 x 2 25 x 160 Zinc
40	873 61 08-00	Nut Hex Jam Taplock 1/2-20 Unf
41	532 10 07-11	Adapter Wheel Strg 758/753id
43	532 12 17-49	Washer 25/32 x 1 1/4 x 16 Ga
44	532 12 17-48	Washer 25/32 x 1 -5/8 x 16 Ga
45	812 00 00-29	Ring Klip#5304-75
46	532 12 12-32	Cap Spindle Fr Top Blk
47	532 12 48-36	Fitting Grease

NOTE: All component dimensions given in U.S. inches.
1 inch = 25.4 mm

REPAIR PARTS

MOWER DECK



REPAIR PARTS

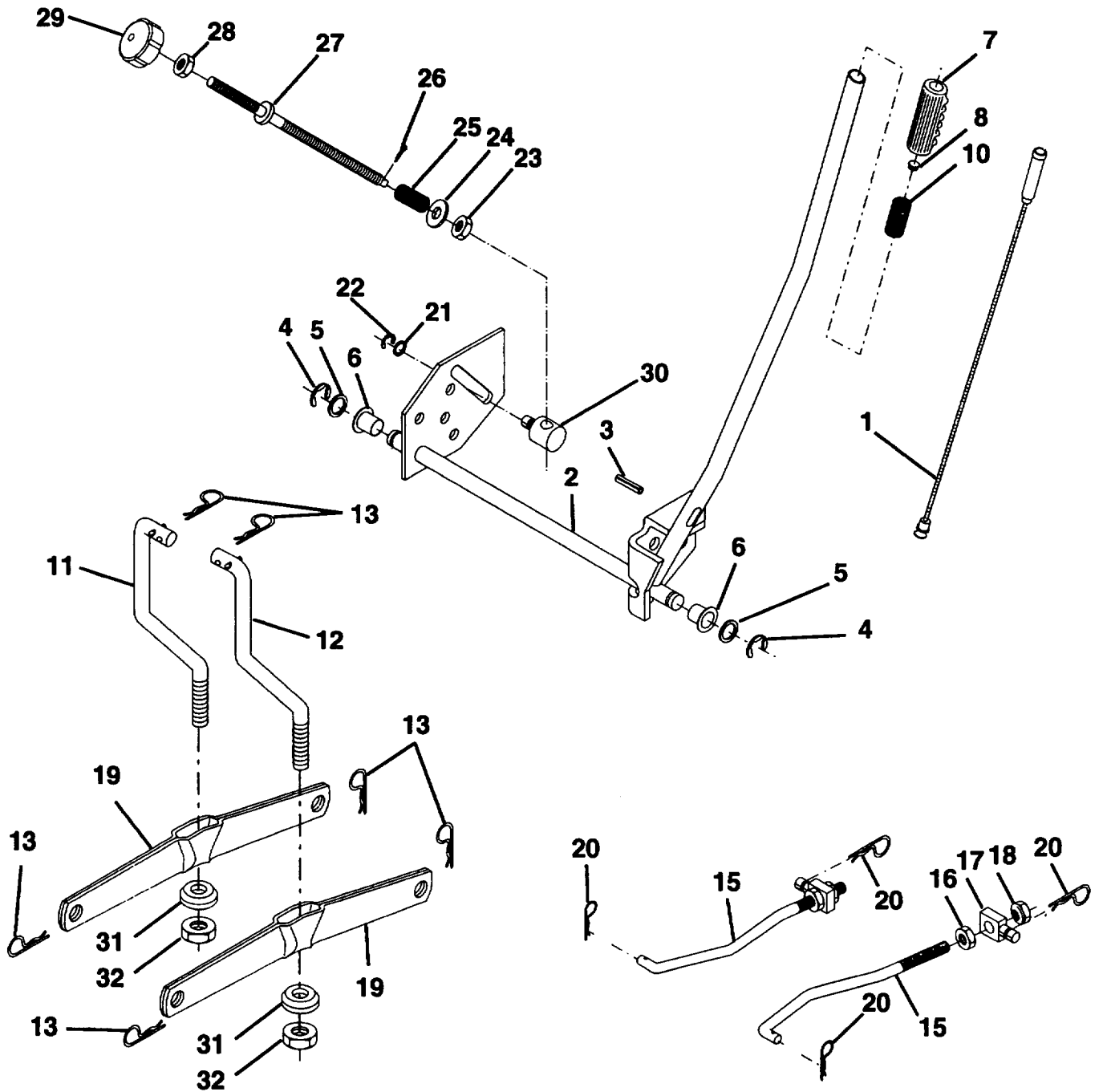
MOWER DECK

KEY NO.	PART NO.	DESCRIPTION	KEY NO.	PART NO.	DESCRIPTION
1	532 14 00-81	Deck Asm MWR 42"weldment	31	532 12 99-63	Washer Spacer Mower Vented
2	872 14 05-06	Bolt Rdhd Sqnk 5/16-18 UNC x 3/4	32	532 12 98-61	Pulley Mandrel 42"
3	532 13 80-17	Bracket Asm Fr Sway Bar 38/42	33	532 13 72-66	Nut 9/16top Lock Flng Cntr
4	532 13 84-40	Bracket Asm Deck 42"sway Bar	34	872 11 06-22	Bolt Rdhd 3/8-16 UNC x 2-3/4 Gr 5
4A	532 13 28-27	Bolt Shoulder	35	532 13 38-35	Fastner Christmas Tree
5	532 12 46-70	Retainer Spring	36	532 13 14-94	Pulley Idler Flat 3 060
6	532 13 08-32	Arm Suspension Rear	37	734 11 72-01	Washer 13/32x 13/16x 16Ga
7	873 80 05-00	Locknut-hex W/ins 5/16-18 UNC P	40	873 68 06-00	Nut Crownlock 3/8-16 UNC
8	532 85 08-57	Bolt3/8-24 x 1 25 Gr8 Patched	41	532 13 28-23	Spacer Spring Stop Idler
9	810 04 06-00	Washer Lock Hvy 3/8 Unplated	44	532 14 00-88	Guard Mandrel LH Black
10	532 14 02-96	Washer Hard Blade Mower Vented	46	532 13 77-29	Screw Thdrol 1/4-20 x 5/8
11	532 13 41-49	Blade Mower Mulching 42"	54	532 13 39-43	Washer Hardened
12	532 12 98-95	Bearing Ball #6204 (Mandrel)	55	532 14 00-84	Arm Idler 42"mower LT/YT
13	532 13 76-45	Shaft Asm W/lower Bearing	56	532 12 20-52	Spacer Retainer Pm Mower
14	532 12 87-74	Housing Mandrel Vented(machd)	61	532 13 19-50	Spring Ext. Elect
15	532 11 04-85	Bearing Ball Mandrel	68	532 14 00-67	V-Belt Mower 42" 92 40
16	532 14 03-29	Stripper Mower Vented	90	874 78 06-16	Bolt Fin Hex 3/8-16 UNC x 1
17	872 11 06-10	Bolt Rdhd Sqnk3/8-16x1-1/4	91	532 13 22-74	BracketAsmNoserollerLH
18	872 14 05-05	Bolt Carr 5/16-18 x 5/8	92	873 68 06-00	Nut Crownlock 3/8-16 UNC
19	873 80 05-00	Locknut-hex W/ins 5/16-18 UNC P	93	819 17 14-16	Washer 17/32 x 7/8 x 16 Ga.
20	532 13 68-88	Baffle Vortex 42	94	532 13 22-64	Roller Nose 38 & 42
21	873 80 05-00	Nut Crown Lock 5/16-18	95	532 13 22-73	Bracket Asm Noseroller RH
22	532 13 47-53	Stiffener Bracket 42"deck	- -	532 13 07-94	Mandrel assembly (Includes Key Numbers 8-10, 12-15. 31 and 33)
23	532 13 12-67	Bracket Deflector Mower 42"			
24	532 10 53-04	Cap Sleeve 80 x 112 Blk Mower			
25	532 12 37-13	Spring Torsion Deflector 2 52			
26	532 11 04-52	Nut Push Phos & Oil			
27	532 13 09-68	Shield Deflector Mower 42" Blk			
28	734 11 63-01	Washer 11/32 x 5/8 x 16 Ga			
29	532 13 14-91	Rod Hinge 42"6 75 Wlg			
30	532 13 87-76	Screw Thdrol Hex Hd Zinc Mwr.			

NOTE: All component dimensions given in U.S. inches.
1 inch = 25.4 mm

REPAIR PARTS

MOWER LIFT ASSEMBLY



REPAIR PARTS

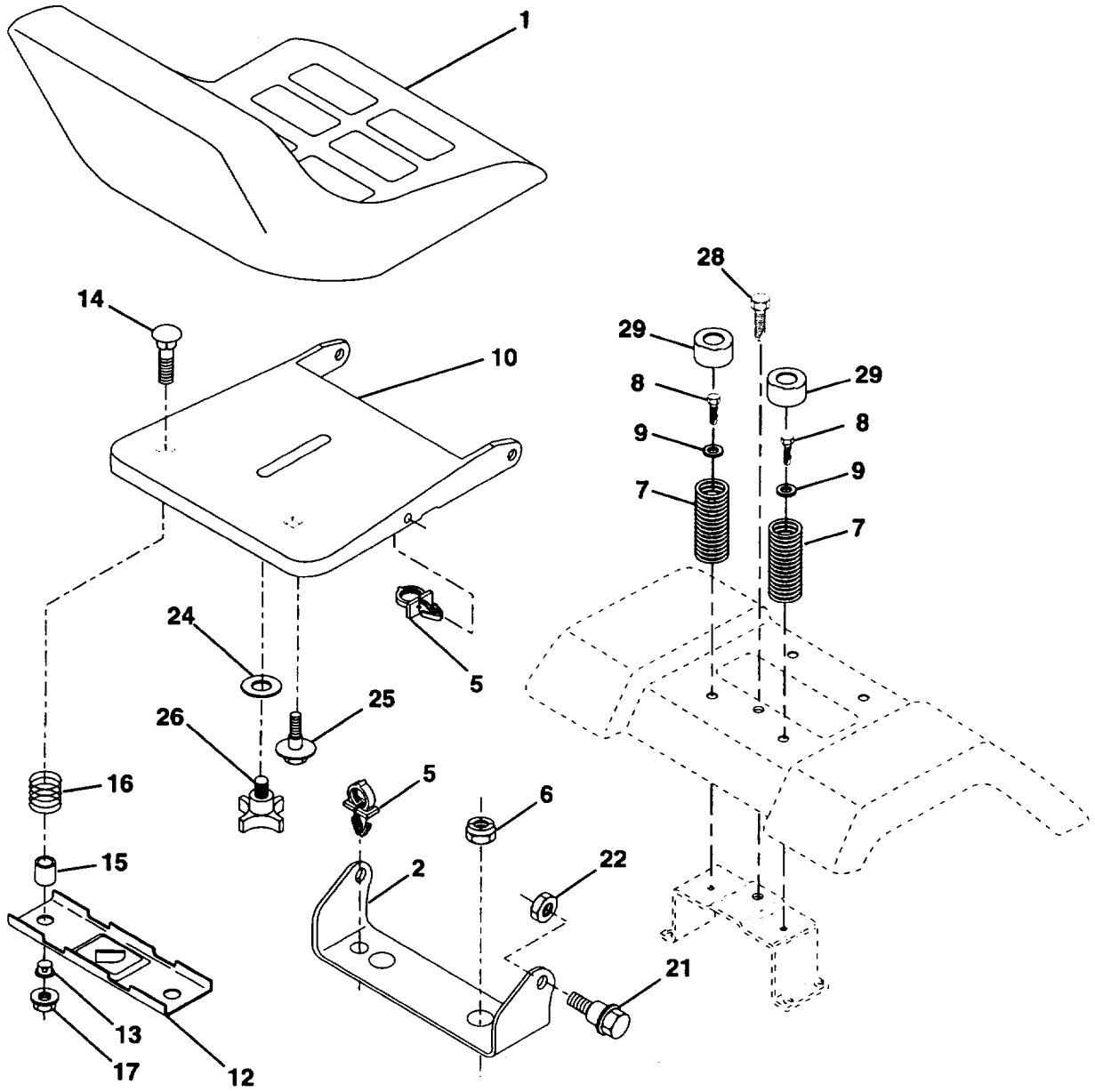
MOWER LIFT ASSEMBLY

KEY NO.	PART NO.	DESCRIPTION
1	532 13 69-71	Wire Asm Inner W/plunger 20 56
2	532 13 69-68	Shaft Asm Lift RH w/Inf
3	532 13 82-84	Pin Groove 1 500 Zinc
4	812 00 00-02	E Ring #5133-62
5	734 11 85-71	Washer 21/32 x 1 x 21 Ga.
6	532 12 01-83	Bearing Nylon Blk 629 Id
7	532 12 56-31	Grip Handle Bicycle Matte Blk
8	532 12 59-25	Button Plunger Black
10	532 12 25-12	Spring Cprsn 3 750 Oiled
11	532 13 98-65	Link Lift LH
12	532 13 98-66	Link Lift RH
13	532 12 46-70	Retainer Spring
15	532 12 72-18	Link Front
16	873 22 08-00	Nut Jam Hex 1/2-13 UNC
17	532 13 01-71	Trunnion Blk Zinc
18	873 80 08-00	Nut Lock W/wsh 1 /2-13 UNC
19	532 13 98-68	Arm Suspension Rear
20	532 12 46-60	Retainer Spring
21	734 11 77-71	Washer 15/32 x 3/4 x 16 Ga.
22	812 00 00-37	Ring Klip #5304-37
23	532 11 08-07	Nut Special
24	734 11 71-71	Washer 13/32 x 5/8 x 16 Ga.
25	532 12 48-74	Spring 2-1/8"
26	876 02 03-08	Pin Cotter 3/32 x 1/2
27	532 11 07-29	Rod Adj Lift Zinc 9 00 Wrk Lg
28	873 22 06-00	Nut Hex Jam 3/8-16 UNC
29	532 13 80-57	Knob Inf 3/8-16 UNC Blk W/sym
30	532 11 08-10	Trunnion Dp Stop Dbl Thds PLT
31	532 14 03-02	Bearing Pvt Lift Spherical
32	873 61 06-00	Nut Lock 3/8-24 w/Nylon Insert

NOTE: All component dimensions given in U.S. inches.
1 inch = 25,4 mm

REPAIR PARTS

SEAT ASSEMBLY



REPAIR PARTS

SEAT ASSEMBLY

KEY PART

NO.	NO.	DESCRIPTION
1	532 12 74-29	Seat V-550 Blk Std
2	532 14 05-51	Bracket Pivot Seat
5	532 14 04-07	Clip, Push-In
6	873 68 06-00	Nut Crownlock 3/8-16 UNC
7	532 12 41-81	Spring Seat Cprsn 2 250 Blk Zi
8	817 49 05-08	Screw Hwsh Thdrol 5/16-18 x 1/2
9	819 13 16-14	washer 13/32 x 1 14 Ga
10	532 14 05-52	pan Seat
12	532 12 12-46	Bracket Mounting Switch
13	532 12 12-48	Bushing Snap Blk Nyl 50 Id
14	872 05 04-11	Bolt Rdhd Sht Nk 1/4-20 x 1 -3/8
15	532 12 12-49	Spacer split 28 x 88 Yel Zinc

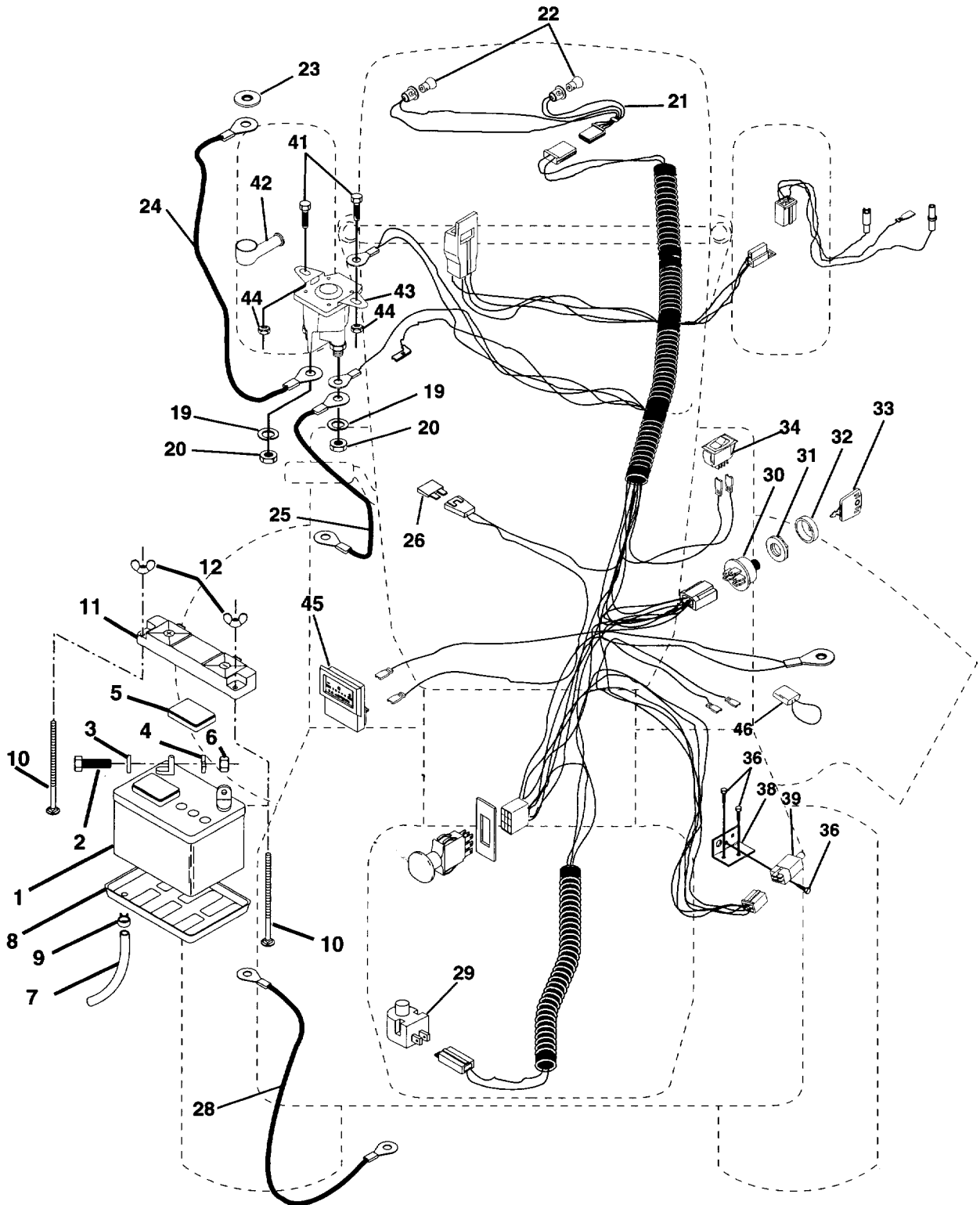
KEY PART

NO.	NO.	DESCRIPTION
16	532 12 37-40	Spring Cprsn 1 310 Blk Pnt
17	873 68 04-00	Nut Lock 1/4 Lge Fig Gr 5 Zinc
21	532 13 98-88	Bolt Shoulder 5/16-18 UNC Blkz
22	873 68 05-00	Nut Crown Lock 5716-18
24	819 17 19-12	Washer 17/32x 1-3/16x 12Ga
25	532 12 70-18	Bolt Shoulder 5716-18 x 62
26	532 12 00-68	Knob Seat 1 /2-13 UNC Blk
28	817 49 06-08	Screw Thdrol 3/8-36 x 1/2
29	532 12 42-38	Cap Spring Seat

NOTE: All component dimensions given in U.S. inches.
1 inch = 25.4 mm

REPAIR PARTS

ELECTRIAL



REPAIR PARTS

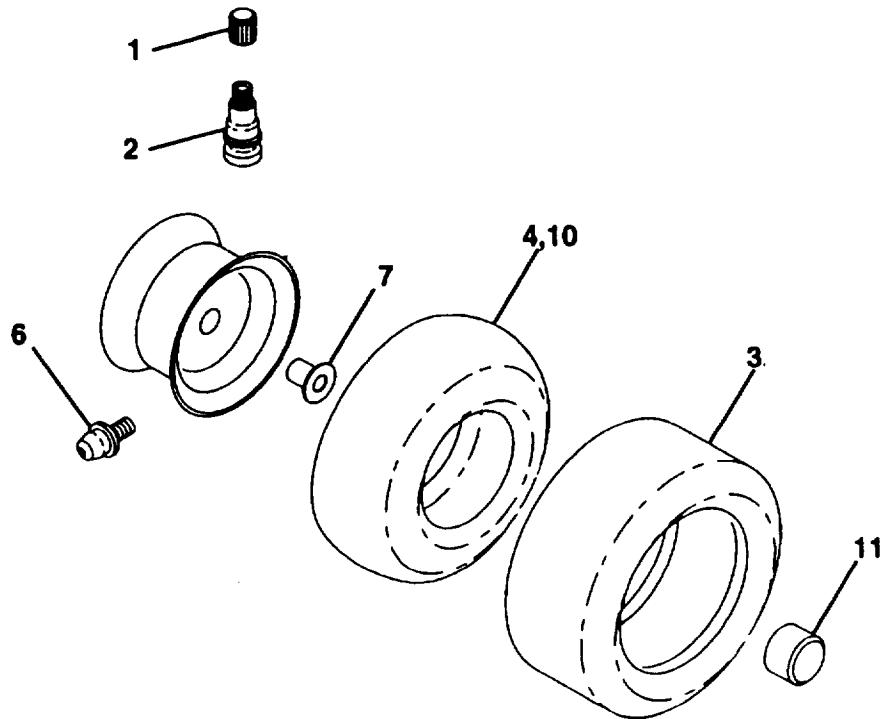
ELECTRIAL

KEY NO.	PART NO.	DESCRIPTION
1	506 78 88-01	Battery
2	874 76 04-12	Bolt, hex Head 1 /4-20 x 3/4
3	734 11 53-01	Washer 9/32 x 5/8 x 16 Gauge
4	810 04 04-00	washer, Lock 1/4
5	532 12 12-64	Caps, Battery
6	873 22 04-00	Nut, Hex 1/4-20
7	532 00 76-97	Tube, Tray, Battery
8	532 00 76-03	Tray, Battery
9	532 10 95-96	Clamp, Hose
10	872 24 04-60	Bolt, Carriage 1/4-20 x 7-1/2
11	532 10 24-76	Guard, Terminal
12	532 12 31-98	Nut, Wing 1/4-20
19	810 04 04-00	Washer, Lock 1/4
20	873 22 04-00	Nut, Hex, Jam 1/4-20
21	532 13 68-50	Harness, Socket, Light (Includes Key #11)
22	532 00 41-52	Bulb, Light
23	810 04 04-00	Washer, Lock, Internal Tooth 1/4
24	532 12 47-70	Cable, Battery
25	532 12 47-70	cable, battery
26	532 10 88-24	Fuse
28	532 12 47-73	Cable, battery
29	532 12 13-05	Switch, Plunger
30	532 14 03-99	Switch, Ignition
31	532 14 04-00	Nut, Ignition
32	532 14 12-26	Cover, Switch, Ignition
33	532 14 04-01	Key, Molded
34	532 11 07-12	Switch, Light
38	532 14 03-36	Bracket, Switch Interlock
36	817 02 10-08	Screw, Hex Tap #10-24 UNC
39	532 10 95-53	Switch, Interlock (4 Terminal)
41	874 78 04-08	Bolt, hex 1/4-20 x 1/2 Grade 5
42	532 13 15-63	Cover, Terminal
43	532 10 99-46	Solenid
44	873 68 04-00	Nut, hex, Keps 1/4-20
45	532 12 28-82	Ammeter Rectangular 15 Amp
46	532 14 19-40	Protection Wire Loop (Hour Meter)

NOTE: All component dimensions given in U.S. inches.
1 inch = 25.4 mm

REPAIR PARTS

WHEELS & TIRES



KEY PART NO.	PART NO.	DESCRIPTION
1	532 05 91-92	Cap Valve Tire
2	532 06 51-39	Stem Valve
3	533 30 11-40	Tire F Ts 15 x 6 0 - 6 Service
4	532 05 99-04	Tube Front (Service Item Only)
6	532 00 02-78	Fitting Grease (Front Wheel Only)
7	532 00 90-40	Bearing Flange (Front Wheel Only)
9	532 12 20-82	Tire R Ts 20 x 10-8 Service
10	532 00 71-52	Tube Rear (Service Item Only)
11	532 10 47-57	Cap Hub Axle

NOTE: All component dimensions given in U.S. inches.
1 inch = 25.4 mm