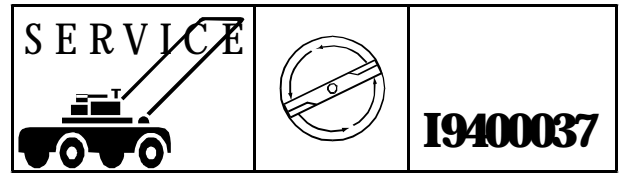


**Jonsered**



IPL, LT14 42" , 1994-01

**LT14 42"**

**Spare parts**

**Ersatzteile**

**Pièces détachées**

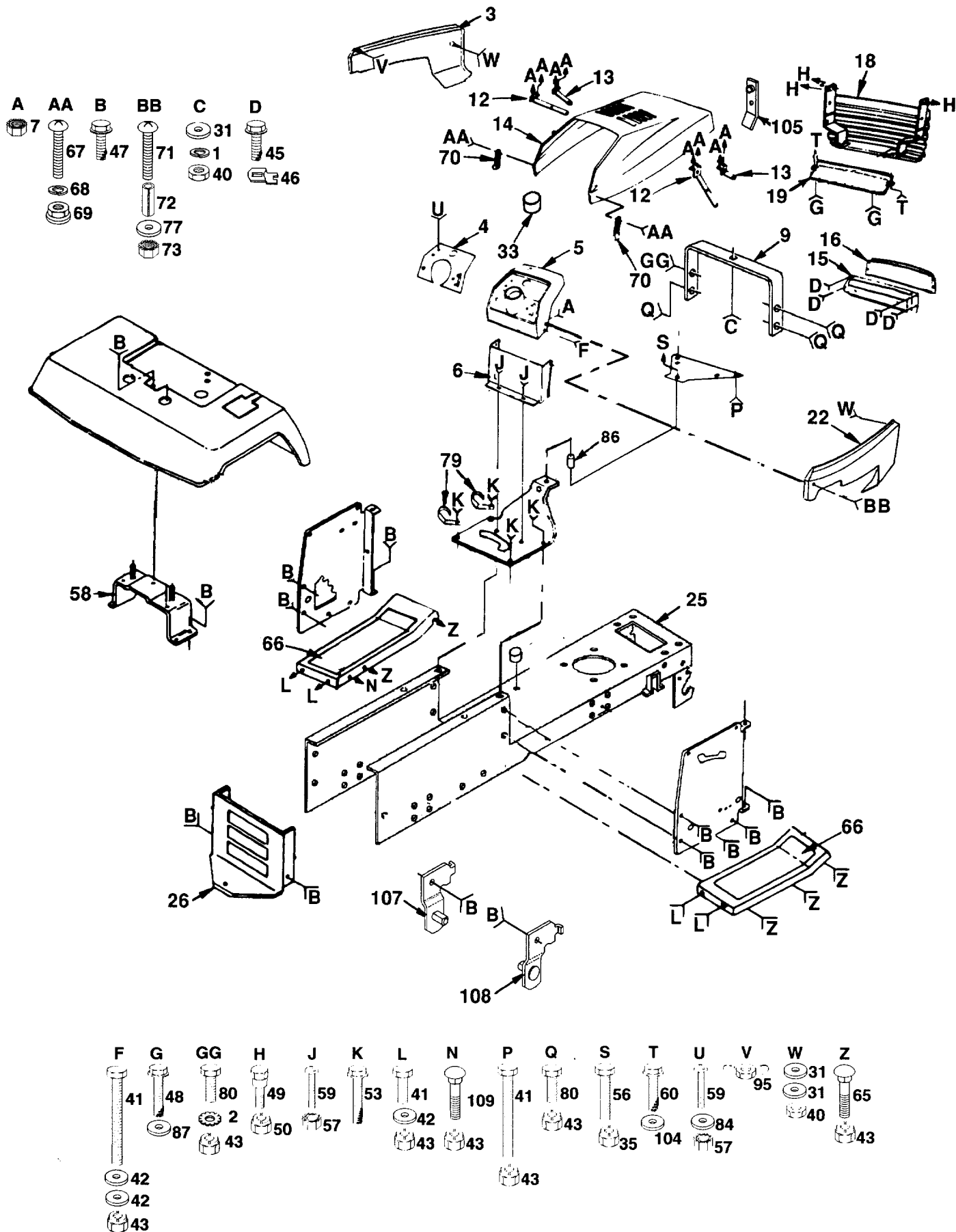
**Reserve onderdelen**

**Repuestos**

**Reservdelar**

# REPAIR PARTS

## ENCLOSURES



# REPAIR PARTS

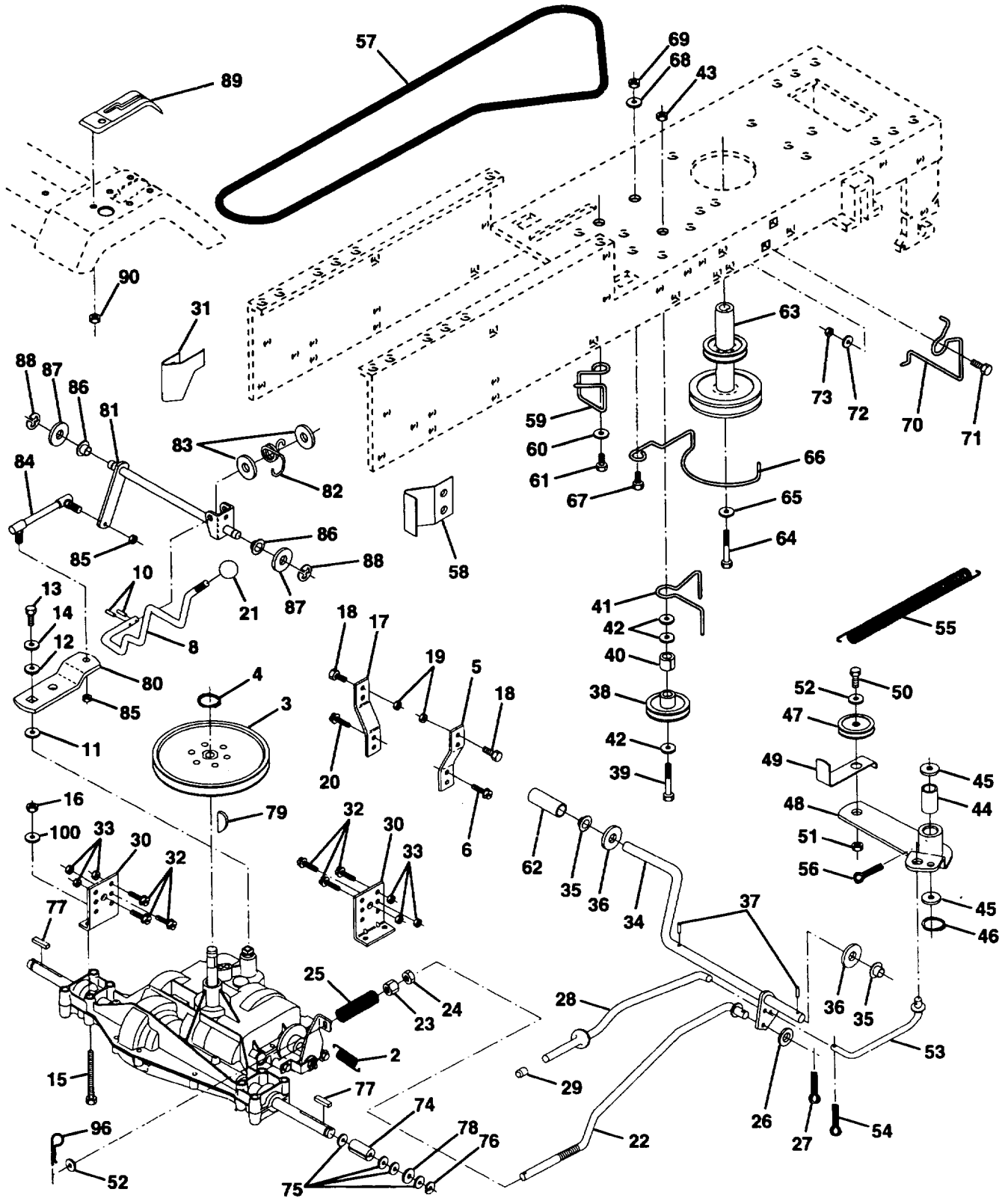
## ENCLOSURES

KEY NO.	PART NO.	DESCRIPTION	KEY NO.	PART NO.	DESCRIPTION
1	810 04 04-00	Washer, Lock 1/4	49	533 30 40-86	Bolt, Shoulder 1/4-20
2	810 04 06-00	Washer, Lock Ext. Tooth 3/8	50	873 68 04-00	Nut, Crownlock 1/4-20
3	532 14 45-48	Panel, Side, L.H.	53	874 78 06-12	Screw, Hex Washer Head, Thread Forming 3/8-16 x 3/4 Type TT
4	532 14 12-82	Plate, dash			
5	532 14 03-98	Dashboard	56	874 76 05-32	Bolt, Hex 5/16-18 x 2 Grade 5
6	532 13 21-77	Dash, Lower	57	873 68 05-00	Nut, Keps 5/16-18
7	873 68 04-00	Nut, Hex Keps 1/4-20 UNC	58	532 13 66-19	Assembly, Bracket, Fender
9	532 12 41-30	Support, Dash	59	874 18 05-12	Screw, truss Head 5/16-1 8 x 3/4
12	532 10 67-84	Assembly, Strap, Hinge, Rear	60	874 76 04-12	Screw, Hex Washer, Head 1 /4-20 x 3/4
13	532 10 46-18	Assembly, Strap, Hinge, Front			
14	532 14 45-45	Hood	65	872 11 06-06	Bolt, Carriage 3/8-16 x 3/4
15	532 12 49-39	Assembly, Bezel	66	532 10 82-56	Pad, Footrest
16	532 10 63-95	Lens	67	874 19 10-08	Screw, Cross Recess Pan Head Machine #10-24 x 1/2
18	532 13 17-16	Assembly, Grill			
19	532 13 83-25	Strap, Grill	68	810 07 10-00	Washer, Lock#10
22	532 14 45-47	Panel, Side, R.H.	69	532 12 50-04	Nut, Weld
25	532 14 03-41	Chassis	70	532 10 98-08	Latch, Hood
26	532 14 03-56	Drawbar	71	874 98 10-20	Screw, Machine Cross Recess #10-24 x 1 -1/4
31	734 11 54-41	Washer 9/3 x 3/4 x 16 Ga.			
33	532 00 54-79	Plug, Button	72	532 00 72-06	Spacer, Split 10 x 3/4
35	873 80 05-00	Nut, Crownlock 5/16-18 UNC	73	873 27 10-00	Nut, Keps 10-24
40	873 22 04-00	Nut, Hex 1/4-20	77	734 11 46-01	Washer 7/32 x 1/2 x 18 Ga.
41	874 78 06-16	Bolt, Hex 3/8-16 x 1	79	532 12 64-71	Clip, Insulator
42	734 11 72-01	Washer 13/32 x 13/16 x 3/4	80	874 78 06-16	Bolt, hex 3/8-16 x 1
43	873 68 06-00	Nut,Crownlock3/8-16	84	734 11 63-01	Washer11/32x11/16x16Ga.
45	817 21 10-10	Screw, Hex Wsh. Hd. Tap. #10-16 x 5/8	86	532 12 12-36	Spacer Split .391 x 1.25
			87	734 11 72-01	Washer 13/32 x 3/4 x 10 Ga.
46	532 10 47-55	"J" Fastener	95	532 12 31-98	Nut, Wing 14-20
47	874 78 06-12	Screw, Hex Washer Head, Thread Rolling 3/8-16 x 2/4 Type TT	104	734 11 53-01	Washer, 9/32 x 3/8 x 16 Ga.
			105	532 13 26-44	Tab, Grill
48	874 78 05-12	Screw, Hex Washer Head, Thread Rolling 5/16-18 x 3/4 Type TT	107	532 13 98-86	Bracket, Asm. Pivot LH, Mower, Rear
			108	532 13 98-87	Bracket, Asm. Pivot RH, Mower, Rear
			109	872110608	Bolt, Rdhd. Sqnk 3/8-16 x 1

**NOTE:** All component dimensions given in U. S. inches.  
1 inch = 25,4 mm

# REPAIR PARTS

## DRIVE



# REPAIR PARTS

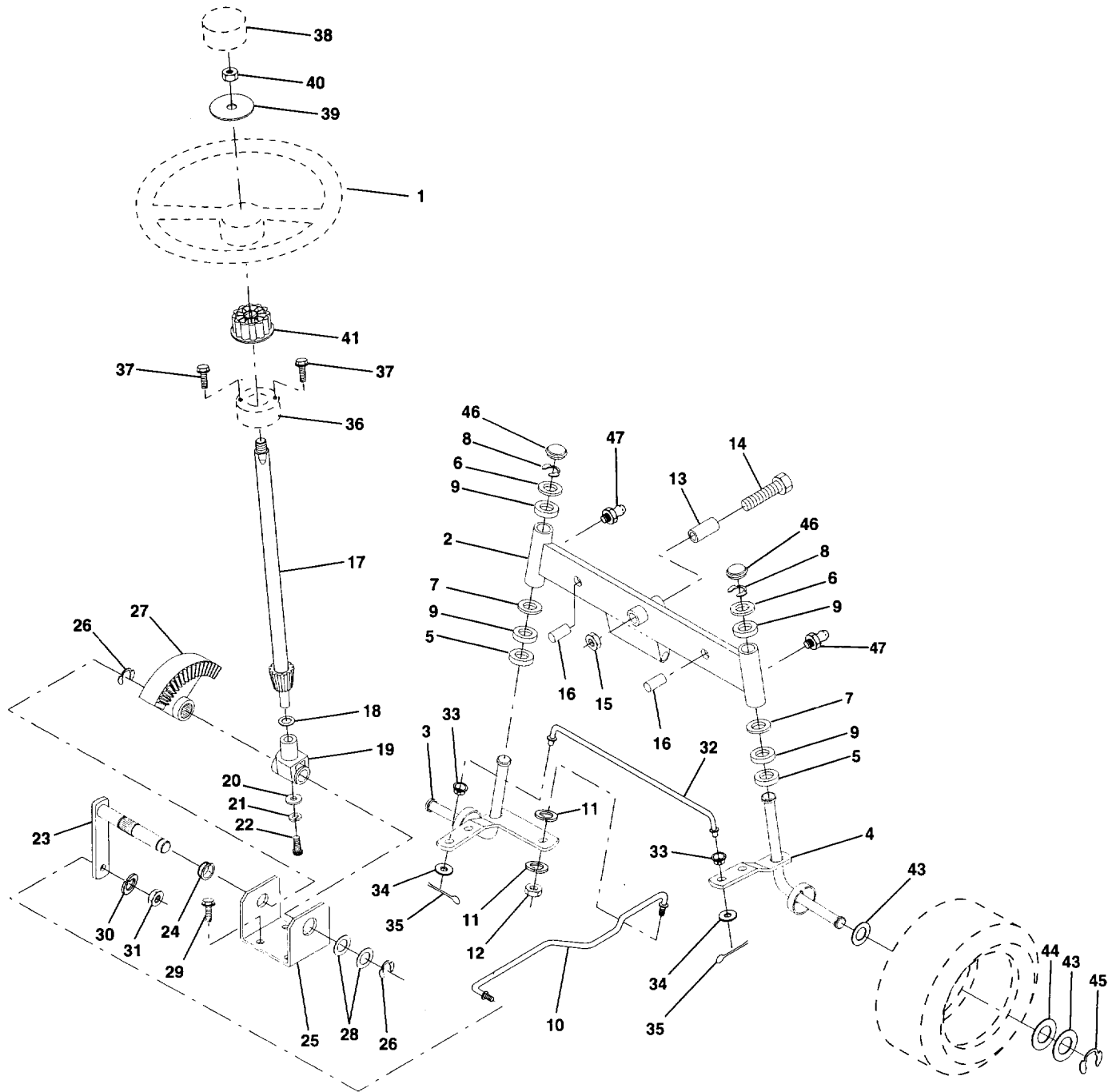
## DRIVE

KEY NO.	PART NO.	DESCRIPTION	KEY NO.	PART NO.	DESCRIPTION
2	532 11 04-22	Spring Return Brake T/a Zinc	50	874 78 06-24	Bolt Hex Hd 3/8-16 UNC x 1 -1/2
3	532 12 36-66	Pulley Transaxle 18"tires	51	873 68 06-00	Nut Crtownlock 3/8-16 UNC
4	532 00 22-67	Ring Retainer #5100-62	52	734 11 72-01	Washer 13/32 x 13/16 x 16 Ga
5	532 12 15-20	Strap Torque 30 Degrees	53	532 10 57-10	Link Clutch 7 66
6	874 78 05-12	Screw Thdrol 5/16-18 x 3/4 TYT	54	876 02 04-12	Pin Cotter 1/8 x 3/4 Cad
8	532 14 10-03	Rod Shifter Fender Lt	55	532 10 57-09	Spring Return Clutch 6 75
10	876 02 04-16	Pin Cotter 1/8 x 1 Cad	56	876 02 04-12	Pin Cotter 1/8 x 3/4 Cad
11	532 10 57-01	Washer Plate Shf 388 Sq Hole	57	532 13 82-55	V-Belt Ground Drive
12	734 11 54-41	Washer 9/32 x 3/4 x 10 Ga.	58	532 12 72-74	Keeper Belt RH LT PnVzinc 169
13	871 04 04-12	Bolt Fin Hex 1/4-28unf x 3/4 Gr8	59	532 14 03-12	Keeper Belt Centerspan
14	810 04 04-00	Washer Lock Hvy Helical 1/4	60	734 11 72-01	Washer 13/32 x 13/16 x 12 Ga
15	874 78 05-44	Bolt Fin Hex 5/16-18 x 2-3/4	61	874 78 06-12	Screw Thdrol 3/8-16 x 3/4 Ty-tt
16	873 68 05-00	Nut Crown lock 5/16-18	62	532 12 48-72	Cover Pedal Blk Round
17	532 12 72-85	Strap Torque Lt	63	532 14 01-86	Engine Pulley LT/TY
18	874 78 06-12	Bolt Fin Hex 3/8-16unc x 3/4	64	871 17 07-64	Bolt Hex 7/16-20 x 4 Gr 5
19	873 68 06-00	Nut Crownlock 3/8-16 UNC	65	810 04 07-00	washer Lock Hvy. Hlcl. Spr. 7/16
20	874 78 05-12	Screw Thdrol 5/16-18 x 3/4 TYT	66	532 12 99-21	Keeper Belt Engine LH LT
21	532 12 12-74	Knob Duckhead 1/2-13 UNC	67	874 78 06-16	Bolt Fin Hex 3/8-16 UNC x 1
22	532 13 08-04	RodBrakeBlkZinc26 840	68	734 11 72-01	Washer13/32x13/16 x12 Ga
23	873 68 06-00	Nut Lock Hex W/wsh 3/8-16 UNC	69	873 68 06-00	Nut Crownlock 3/8-16 UNC
24	873 22 06-00	Nut Hex Jam 3/8-16 UNC	70	532 13 46-83	Guide Belt Mower Drive RH
25	532 10 68-88	Spring Rod Brake 2 00 Zinc	71	874 78 06-16	Bolt Fin Hex 3/8-16 UNC x 1
26	734 11 72-01	Washer 13/32 x 13/16 x 16 Ga	72	734 11 74-41	Washer 13/32 x 1 -1/4 x 12 Ga
27	876 02 04-12	Pin Cotter 1/8 x 3/4 Cad	73	873 68 06-00	Nut Crownlock 3/8-16 UNC
28	532 13 32-61	Rod Brake Parking YT	74	532 13 70-57	Spacer Axle
29	532 07 16-73	CapBrakeParking Black	75	532 12 17-49	Washer25/32x1 1/4x16Ga
30	532 13 08-07	Bracket Mtg Transaxle	76	812 00 00-01	E-ring #5133-75
31	532 12 72-75	Keeper Belt LH LT 14 Ga	77	532 12 35-83	Key Square 2 0 x 1845/1865
32	874 78 05-12	Bolt Hex Hd 5/16-18 UNC x 3/4	78	532 12 17-48	Washer 25/32 x 1 -5/8 x 16 Ga
33	873 80 05-00	Locknut Hex w/lns. 5/16-18 UNC	79	532 12 50-96	Key Woodruff #9 3/16 x 3/4
34	532 12 24-24	Shaft Asm Pedal Foot 1 930	80	532 13 14-86	Arm Shift Transaxle
35	532 12 01-83	Bearing Nylon Blk 629 Id	81	532 13 69-32	Shaft Asm Cross 18"t 42"deck
36	734 11 85-71	Washer21/32 x 1 x 16 Ga	82	532 12 37-82	Spring Torsion T/a
37	532 00 28-82	Pin Roll 3/16 x 1 "	83	734 11 77-71	Washer 17/32 x 3/4 x 16 ga
38	532 12 36-74	Pulley Idler Flat	84	532 12 37-93	Rod Link Shift Adj 3 710
39	874 76 06-44	Bolt Fin Hex 3/8-16 UNC x 2-3/4	85	873 61 04-00	Nut, Nylock 1/4-28
40	532 00 44-70	Spacer Split 395 x 59 Bzp	86	532 07 12-08	Bushing Rod Strg 629/632 Id
41	532 10 90-70	Keeper Belt Retainer	87	734 11 85-71	Washer 21/32 x 1-1/4 x 16 Ga
42	734 11 72-01	Washer 13/32 x 13/16 x 12 Ga	88	812 00 00-08	Ring Klip #5304-62
43	873 68 06-00	Nut Lock Hex w/Wsh. 3/8-16 UNC	89	532 13 99-64	Console Shift 6sp W/ign
44	532 10 57-06	Bearing Nyl 503 x 628 x 1 25	90	532 12 43-46	Nut Self-thd Wsh-hd 1/4 Zinc
45	532 11 08-12	WasherHardened	95	874 78 06-12	ScrewThdrol3/8-16 x3/4 Ty-tt
46	812 00 00-39	Ring Klip #5304-50	96	532 12 47-88	Retainert Spring
47	532 12 77-83	Pulley Idler Groove Plastic	100	734 11 63-01	washer 11/32 x 3/4 x 16 Ga
48	532 12 37-89	Bellcrank Asm Clutch			
49	532 12 32-05	Retainer Belt Style Spring			

**NOTE:** All component dimensions given in U.S. inches.  
1 inch = 25,4 mm.

# REPAIR PARTS

## STEERING ASSEMBLY



# REPAIR PARTS

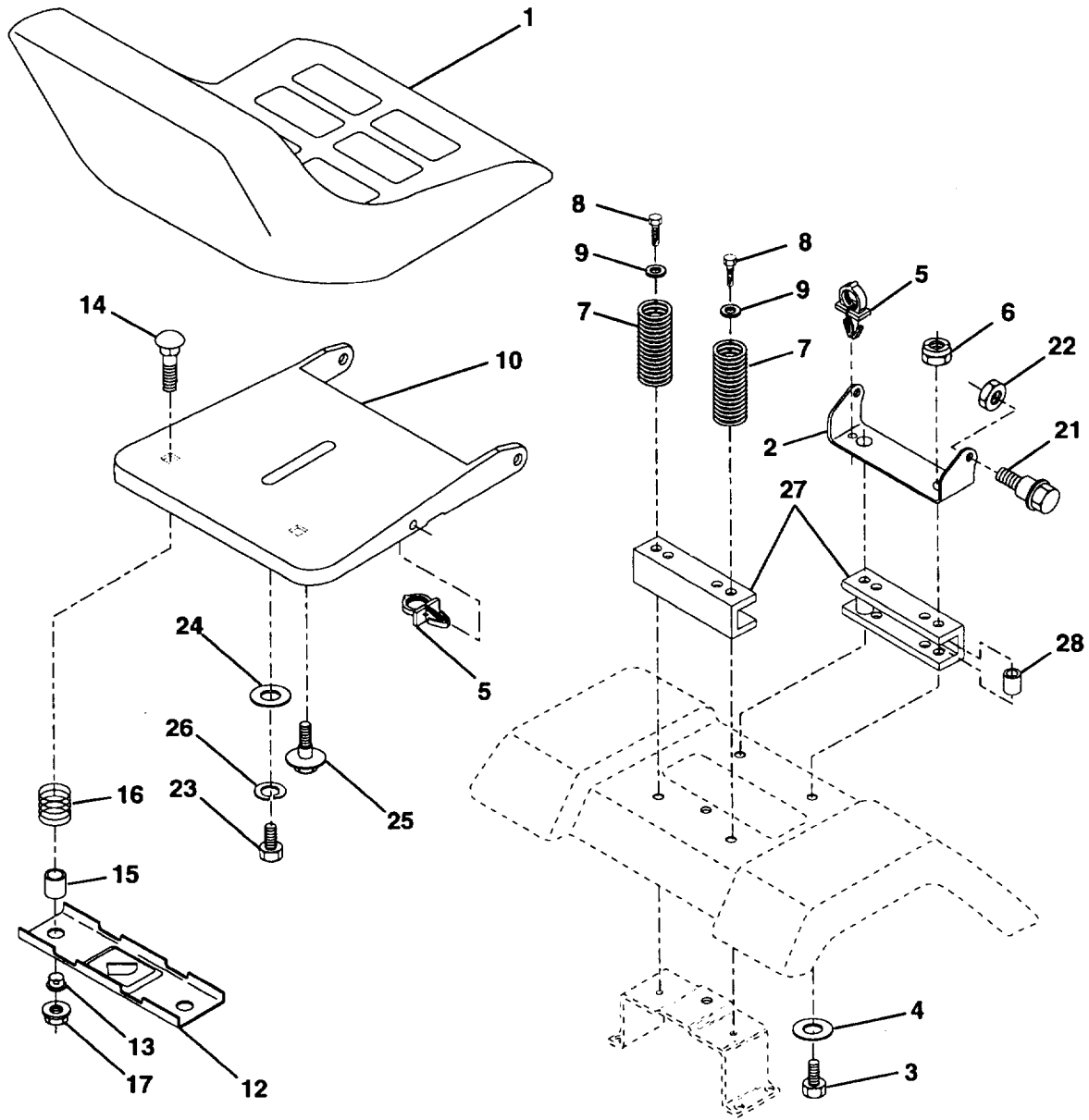
## STEERING ASSEMBLY

KEY NO.	PART NO.	DESCRIPTION
1	532 13 97-68	Wheel Steering
2	532 14 20-33	Axle Asm Fr LT
3	532 13 52-27	Spindle Asm LH
4	532 13 52-28	Spindle Asm RH
5	532 00 62-66	Bearing RaceThrust Harden
6	532 12 17-48	Washer 25/32 x 1 -5/8 x 16 Ga
7	819 27 20-16	Washer 27/32 x 1-1/4 x 16 Ga
8	812 00 00-29	Ring Klip#5304-75
9	532 00 33-66	Bearing Col Strg Blk
10	532 13 04-68	Link Drag Sol ball Jt 20 064
11	810 04 06-00	Washer Lock Hvy Hlcl Spr 3/8
12	873 61 06-00	Nut Fin Hex 3/8-24 Unf
13	532 11 04-38	Bushing
14	874 01 10-56	Bolt
15	873 68 10-00	Nut Lock Flange 5/8-11 UNC
16	532 13 26-24	Pin Axle 5/8 x 1 55/1 54 Lg
17	532 12 87-58	Shaft Asm Strg 18 31 x 3/4 Yp Lt
18	532 05 70-79	Washer Thrust 515 x 750 x 033
19	532 12 40-35	Support Shaft
20	532 12 66-84	Washer Shim 1/4 x 5/8 x 062
21	810 04 04-00	Washer Lock Hvy Helical 1/4
22	871 07 04-10	Screw Hex Socket 1 /4-20 x 5/8
23	532 12 75-01	ShaftAsm Pittman
24	532 10 98-16	Nyliner Snap In
25	532 12 40-36	Bracket Steering
26	812 00 00-29	Ring Klip #5304-75
27	532 13 68-74	Gear Sector 22 Teeth
28	532 00 62-66	Bearing RaceThrust Harden
29	874 78 06-12	Screw Thdrol 3/8-16 x 3/4 Ty-tt
30	810 04 06-00	Washer Lock Hvy Hlcl Spr 3/8
31	873 61 06-00	Nut Fin Hex 3/8-24 Unf
32	532 13 04-65	Rod Tie Wire Form 19 75 Mech
33	532 12 68-47	Bushing Link Drag Blk LR
34	734 11 72-01	Washer 13/32 x 7/8 x 16 ga
35	876 02 04-12	Pin Cotter 1/8 x 3/4 Cad
36	532 12 47-20	Bushing Strg
37	817 21 10-08	Screw Slftp #10-16 x 1/2 Ty-b
38	532 14 01-75	Cap Whel Steer
39	532 10 07-12	Washer .53 x 2.25 x .160
40	873 61 08-00	Nut, Hex, Jam, Toplock 1/2-20unf
41	532 10 07-11	Adaptor Wheel Strg .7581/.7531D
43	532 12 17-49	Washer 25/32 x 1 1/4 x 16 Ga
44	532 12 17-48	Washer 25/32 x 1 -5/8 x 16 Ga
45	812 00 00-29	Ring Klip #5304-75
46	532 12 12-32	Cap Spindle Fr Top Blk
47	532 12 48-36	Fitting Grease

**NOTE:** All component dimensions given in U.S. inches.  
1 inch = 25,4 mm

# REPAIR PARTS

## SEAT ASSEMBLY





# REPAIR PARTS

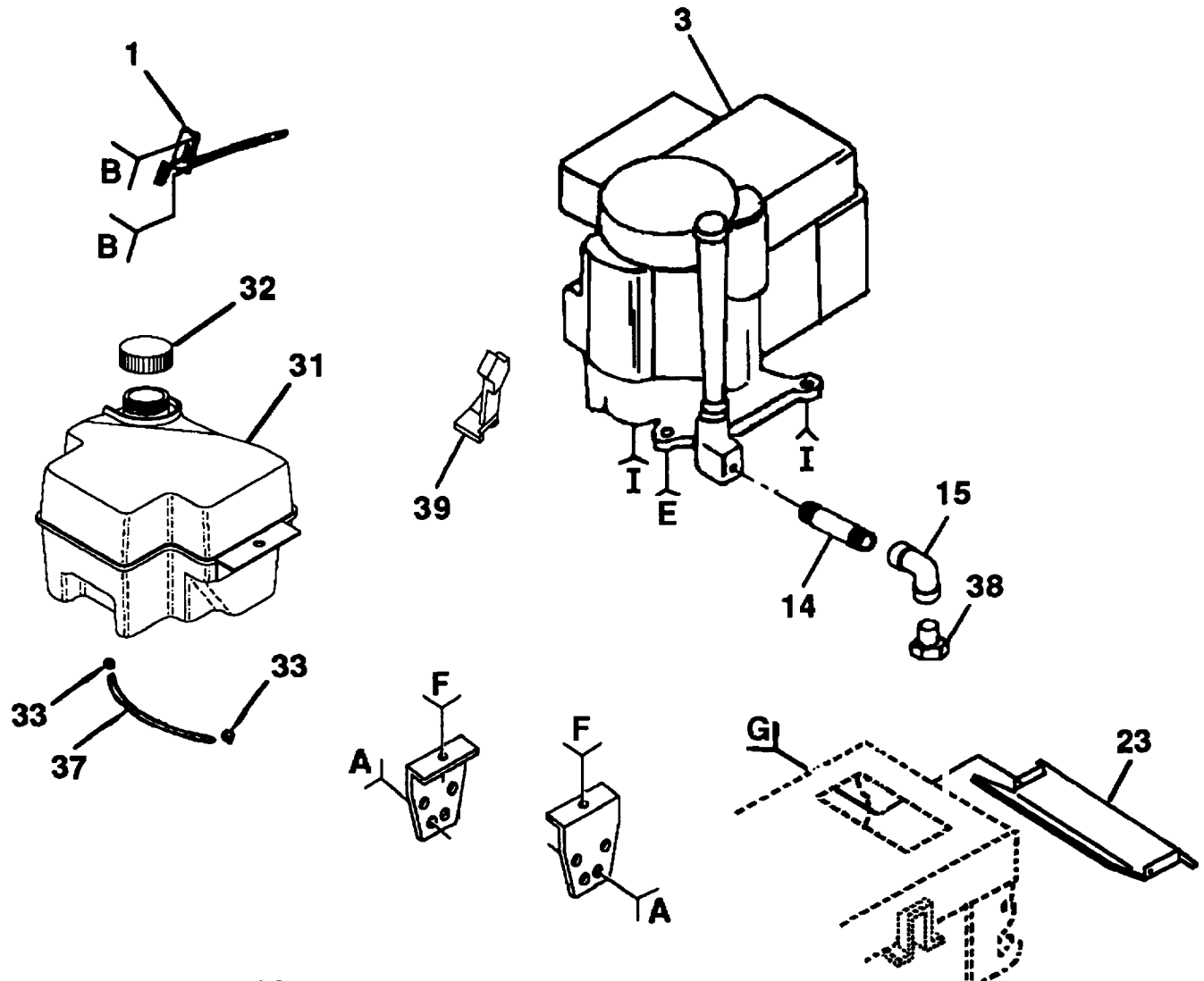
## SEAT ASSEMBLY

KEY NO.	PART NO.	DESCRIPTION
1	532 12 74-29	Seat
2	532 14 05-51	Bracket Pivot Seat 8 720
3	874 76 06-40	Bolt Fin Hex 3/8-16 UNC X 2-1/2
4	819 13 16-10	washer 13/32 x 1 x 10 Ga
5	532 14 04-07	Clip Plastic 3/8
6	873 68 06-00	Nut Crownlock 3/8-16 Unc
7	532 12 41-81	Spring Seat Cprsn 2 250 Blk Zi
8	817 49 06-40	Spring Seat Cprsn 2 250 Blk Zi
9	819 13 16-14	Washer12/32x 1 x14Ga
10	532 14 05-52	Pan Seat
12	532 12 12-46	Bracket Mounting Switch
13	532 12 12-48	Bushing Snap Blk Nyl 50 Id
14	872 05 04-11	Bolt Rdhd Sht Nk 1/4-20x1-3/8
15	532 13 43-00	Spacer Split 28x96 Yel Zinc
16	532 12 12-50	Spring Cprsn 1 27 Blk Pnt
17	873 68 04-00	Nut Lock 1/4 Lge Flg Gr 5 Zinc
21	532 13 98-88	Bolt Shoulder 5/16-18 UNC Blkz
22	873 68 05-00	Nut Crown Lock 5/16-18
23	874 78 08-14	Bolt, Hex 1/2-13 x 7/8
24	819 17 19-12	Washer 17/32 x 1-3/16 x 12 Ga
25	532 12 70-18	Bolt Shoulder 5/16-18 x 62
26	810 04 08-00	Washer Lock Hvy Hlcl Spr 1/2
27	532 13 17-72	Spacer, Seat
28	532 13 17-71	Spacer, Split

**NOTE.** All component dimensions given in U.S. inches.  
1 inch = 25.4 mm.

# REPAIR PARTS

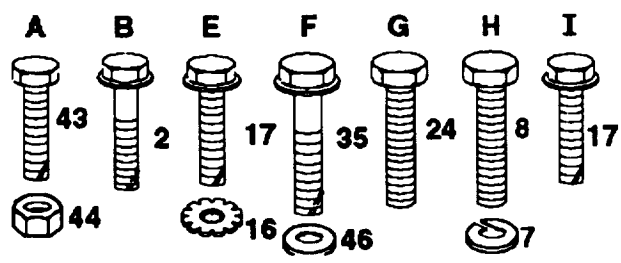
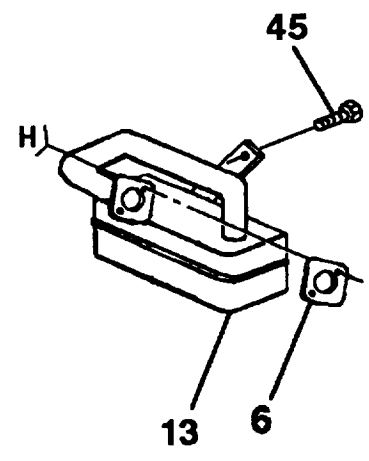
## ENGINE



29

**OPTIONAL EQUIPMENT**

**Spark Arrester**



# REPAIR PARTS

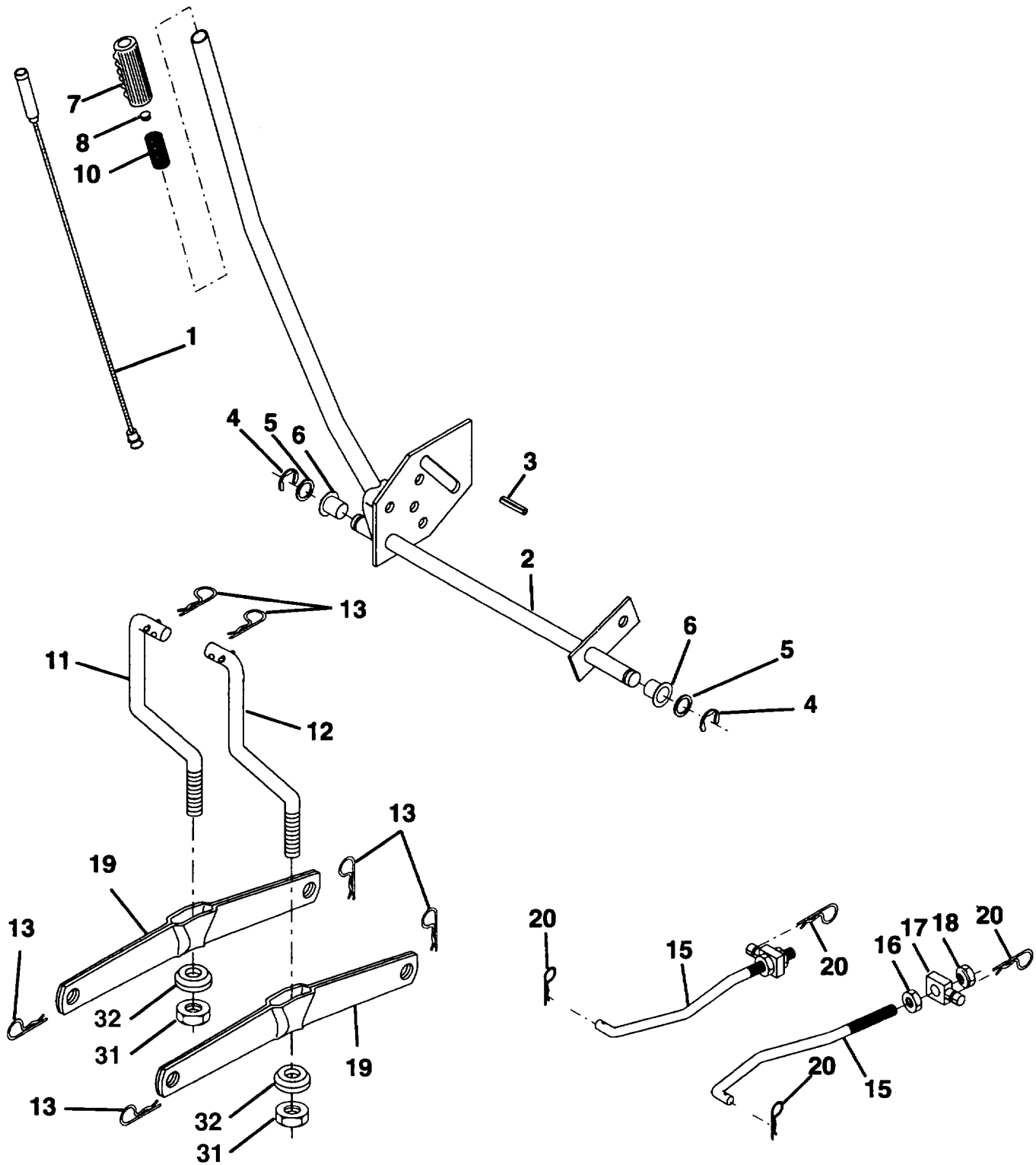
## ENGINE

KEY NO.	PART NO.	DESCRIPTION
1	532 13 27-50	Control Th/ch RH Blk
2	874 78 04-10	Screw Hex Thd Cut 1 /4-20 x 5/8 T
3	-----	Engine B&S 14HP Icq Dual 1 Vt, Model No. 287707
6	532 12 55-93	Gasket Eng 1 313 Id Tin Plated
7	810 04 05-00	Washer Lock Hvy Hlcl Spr 5t16
8	871 07 05-12	Screw Hexhd Cap 5/16-18 x 3/4
13	532 13 73-52	Muffler LT B&S 14HP Ic/ohv
14	813 28 03-24	Nipple Pipe 3/8 Npt x 3"
15	813 20 03-00	Elbow Std 90 Degree 3/8-18 Npt
16	810 04 06-00	Washer Lock Ext Tooth 3/8
17	874 78 06-20	ScrewThdrol 3/8-16 x 1-1/4TYTT
23	532 12 89-53	Shield Heat Browning LTNT
24	817 02 10-08	Screw tap Hex #10-24 UNC x 1/2
29	532 13 71-80	Kit Spark Arrestor
31	532 14 02-80	Tank Fuel Front 2 00
32	532 14 05-27	Cap Asm Fuel top Vented N/Lang
33	532 12 34-87	Clamp Hose Black
35	874 78 06-12	Screw Hexwsh Thdrol 3/8-16 x 3/4
37	532 00 85-48	Line Fuel 9.5"
38	-----	Plug Oil Drain (Order From Engine Manufacturer)
39	532 12 79-51	Stop Throttle
43	874 78 06-16	Bolt Hex 3/8-16 x 1
44	873 68 06-00	Nut, Lock Hex W/Wsh 3/8-1 6 UNC
45	874 76 04-12	Screw Thdrol 1 /4-20 x 3/4
46	819 09 14-16	Washer 9/32 x 7/8 x 16 Ga

**NOTE:** All component dimensiones given in U.S. inches.  
1 inch = 25.4 mm

# REPAIR PARTS

## 42" MOWER LIFT



# REPAIR PARTS

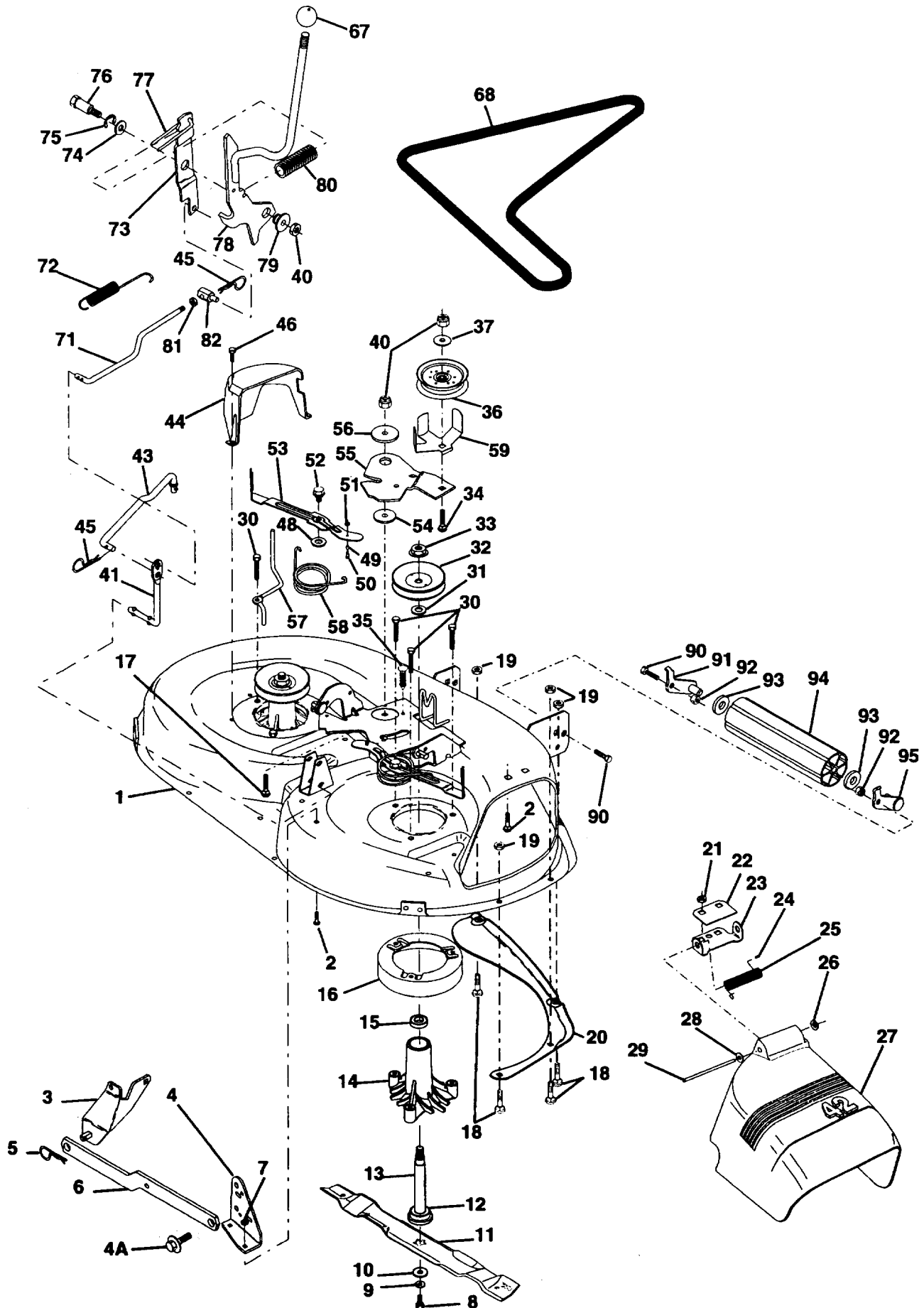
## 42" MOWER LIFT

KEY NO.	PART NO.	DESCRIPTION
1	532 13 69-73	Wire Asm Inner W/plunger 17 32
2	532 13 71-11	Shaft Asm Lift
3	532 13 82-84	Pin Groove
4	812 00 00-02	E Ring #5133-62
5	819 21 14-16	Washer PLTD 21/32 x 7/8 x 16ga
6	532 12 01-83	Bearing Nylon Nilk629 Id
7	532 12 56-31	Grip Handle Bicycle Matte Blk
8	532 12 59-25	Button Plunger Black
10	532 12 25-12	Spring Cprsn 3 750 Oiled
11	532 13 98-65	Link Lift LH Mower
12	532 13 98-66	Link Lift RH Mower
13	532 12 46-70	Retainer Sprin
15	532 12 72-18	Link Front
16	873 22 08-00	Nut Jam Hex 1/2-13 UNC
17	532 13 01-71	Trunnion Blk Zinc
18	873 80 08-00	Nut Lock W/wsh 1/2-13 UNC
19	532 13 98-68	Arm Suspension Rear
20	532 12 46-60	Retainer Spring
31	873 61 06-00	Nut Lock 3/8-24 w/Nylon Insert
32	532 14 03-02	Bearing Put Lift Spherical

**NOTE:** All component dimensiones given in U.S. inches.  
1 inch = 25.4 mm

# REPAIR PARTS

## MOWER DECK



# REPAIR PARTS

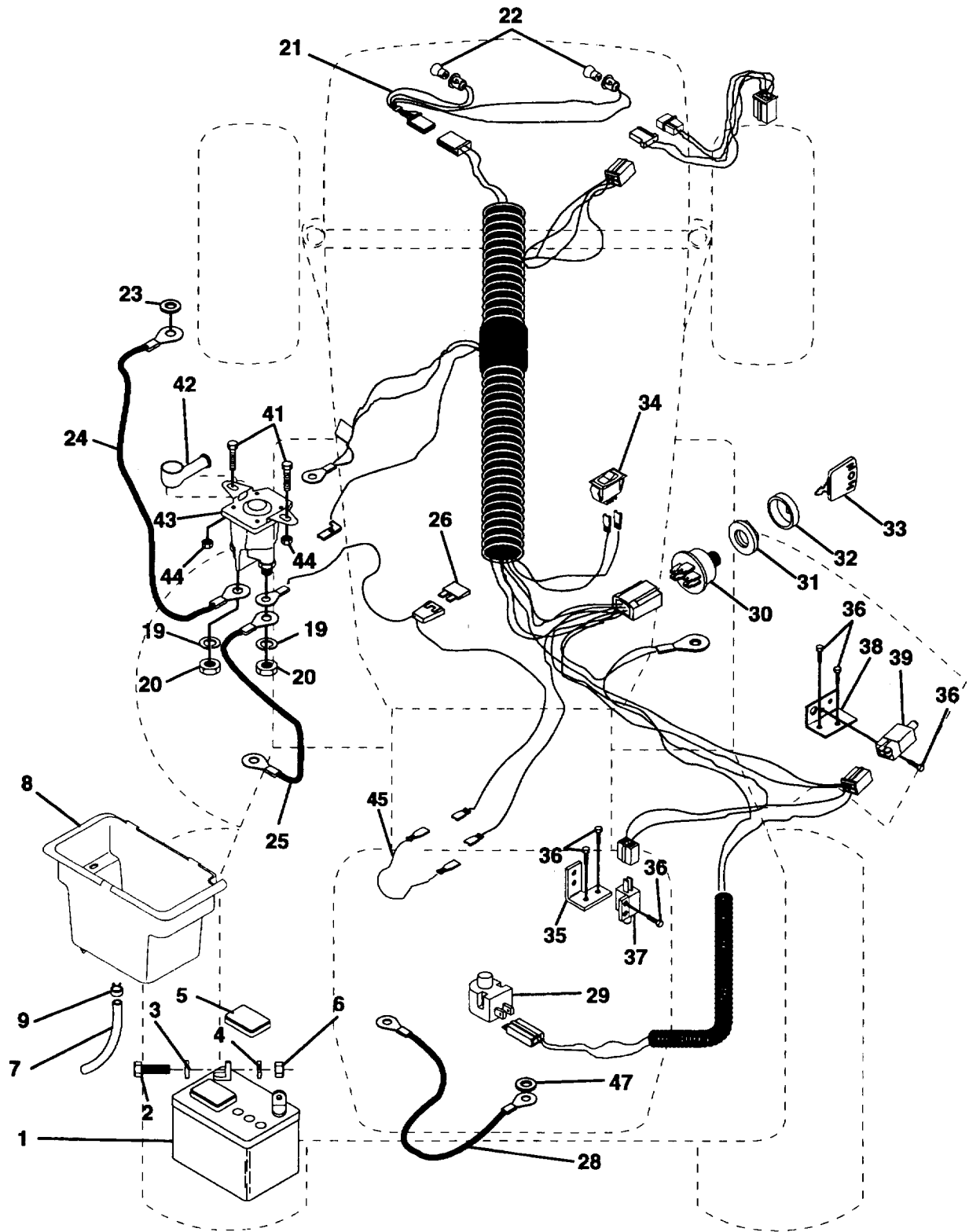
## MOWER DECK

KEY NO.	PART NO.	DESCRIPTION	KEY NO.	PART NO.	DESCRIPTION
1	532 14 00-81	Mower Housing	32	532 12 98-61	Pulley Mandrel 42"
2	872 14 05-06	Bolt Rdhd Sqnk 5/16-18 UNC x 3/4	33	532 13 72-66	Nut 9/16 Toplock Flng Oil Dip
3	532 13 80-17	Bracket Asm Fr Sway Bar 38/42	34	872 11 06-22	Bolt Rdhd 3/8-16 UNC x 2-3/4 Gr5
4	532 13 84-40	Bracket Asm Deck 42"sway Bar	35	532 13 38-35	Fastner Christmas Tree
4a	532 13 28-27	Bolt SDhoulder	36	532 13 14-94	Pulley Idler Flat 3 060
5	532 12 46-70	Retainer Spring	37	734 11 72-01	Washer 13/32 x 13/16 x 16 Ga
6	532 13 08-32	Arm Suspension Rear	40	873 68 06-00	Nut Lock Hex w/Wsh 3/8-16 UNC
7	873 80 05-00	Locknut-hex W/Ins 5/16-18 UNC P	41	532 13 35-51	Rod Pivot W/nibs
8	532 85 08-57	Bolt 3/8-24 x 1.25 Gr 8	43	532 14 00-83	Rod Clutch Secondary W/nibs
9	810 04 06-00	Washer Lock Hvy 3/8	44	532 14 00-88	Guard Mandrel LH Black
10	532 14 02-96	Washer Hard Blade Mower Vented	45	532 12 47-88	Spring Retainer 1 " Zinc/cad
11	532 13 41-49	Blade Mulching	46	532 13 77-29	Screw Thdrol 1 /4-20 x 5/8
12	532 12 98-95	Bearing Ball #6024 (Mandrel)	49	532 13 39-40	Roller Asm Cam Follower 42"dec
13	532 13 76-45	Shaft Asm W/lower Bearing	50	532 13 13-40	Bolt Shidr 10-24 Zinc Gr 5 42"
14	532 12 87-74	Housing Mandrel Vented	51	532 06 91-80	Nut Lock #10-24 UNC
15	532 11 04-85	Bearing Ball Mandrel	52	532 13 98-88	Bolt Shoulder 5/16-18 UNC Blkz
16	532 14 03-29	Stripper Mower Round	53	532 13 18-45	Arm Asm Pad Brake
17	872 11 06-10	BoltRdhdSqnk3/8-16x2-1/4	55	532 14 00-84	Armidler42"mowerLT/YT
18	872 14 05-05	Bolt rdhd Sqnk 5/16-18 x 5/8	56	532 12 20-52	Spacer Retainer Pm Mower
19	873 80 05-00	Locknut-hex W/Ins 5/16-18 UNC P	57	532 14 00-90	keeper Belt LH Front 42" 94
20	532 13 68-88	Baffle Vortex 42	58	532 14 00-86	Spring Torsion Brakes
21	873 80 05-00	Nut Lock 5/16-18	59	532 14 10-43	Guard RUV Idler (94)
22	532 13 47-53	Stiffener Bracket 42"deck	67	532 13 20-44	Cover Handle Round Black
23	532 13 12-67	Bracket Deflector Mower 42"	68	532 14 00-67	V-Belt Mower 42" 82 625
24	532 10 53-04	Cap Sleeve 80 x 112 Blk Mower	71	532 14 24-27	Rod Clutch Primary 38/42
25	532 12 37-13	Spring Torsion Deflector 2 52	72	532 13 18-70	Spring return
26	532 11 04-52	Nut Push Phos & Oil	73	532 12 78-47	Arm Clutch Secondary
27	532 13 09-68	Shield Deflector Mower 42" Blk	74	532 12 17-48	Washer 25/32 x 1 -5/8 x 16 Ga
28	734 11 63-01	Washer 11/32x5/8x 16Ga	75	812 00 00-29	Ring Klip#5304-75
29	532 13 14-91	Rod Hinge 42"6 75 Wlg	76	532 12 89-03	Bolt Shoulder 3/8-16 UNC 1 44
30	532 13 87-76	Screw Thdrol Hex Head Zinc Mower	77	532 12 78-45	Keeper Spring 4 000
31	532 12 99-63	Washer Spacer Mower Vented	78	532 14 03-35	Arm Asm Clutch Primary
			79	532 12 27-98	Bushing 747 Od x 794 Lg Brass
			80	532 12 87-59	Spring Clutch Mower 2 750 Zinc
			81	873 22 06-00	Nut Hex Jam 3/8-16
			82	532 14 20-28	Trunnion Adj.
			90	874 78 06-16	Bolt Hex 3/8-16 x 1
			91	532 13 22-74	Bracket Asm. Noseroller LH
			92	873 68 06-00	Nut Crownlock 3/8-16
			93	819 17 14-16	Washer 17/32 x 7/8 x 16 Ga
			94	532 13 22-64	Roller Nose
			95	532 13 22-73	Bracket Asm. Noseroller RH
			--	532 13 07-94	Mandrel Asm Service (Includes Key Nos. 8-10, 12-15, 31 and 33)

**NOTE:** All component dimensions given in U.S. inches.  
1 inch = 25.4 mm

# REPAIR PARTS

## ELECTRICAL





# REPAIR PARTS

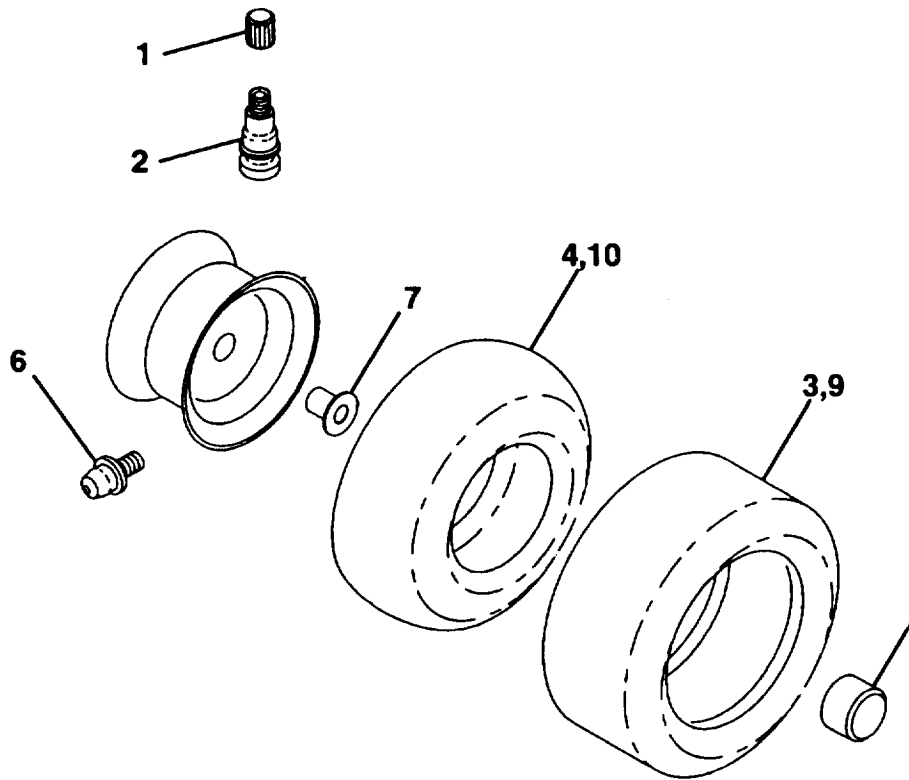
## ELECTRICAL

KEY NO.	PART NO.	DESCRIPTION
1	506 78 88-01	Battery 12 VOLTS 25 AMP
2	874 76 04-12	Bolt Hex Hd 1/4-20 UNC x 3/4
3	734 11 53-01	Washer 9/32 x 5/8 x 16 Ga
4	810 04 04-00	Washer Lock Hvy Helical 1/4
5	532 12 12-64	Caps Battery 20/25/30 AMP
6	873 22 04-00	Nut Fin Hex 1/4-20 UNC
7	532 10 92-38	Tube Plastic 12"
8	532 12 99-65	Case battery w/o Lid
9	532 10 95-96	Clamp House Olive
19	810 04 04-00	Washer Lock 1/4
20	873 22 04-00	Nut Jam Hex 1/4-20 UNC
21	532 13 68-50	HarnessAsm LightW/4152J
22	532 00 41-52	Bulb Light #1156
23	810 04 04-00	Washer Lock Internal Tooth 1/4
24	532 00 47-99	Cable Battery 6 Ga 11 "red
25	532 13 22-02	Cable Battery 6 Ga 43"red
26	532 10 88-24	Fuse 30 AMP Auto Green
28	532 13 47-73	Cable Ground 6 Ga 12"black
29	532 12 13-05	Awitch Plunger Nc Gray
30	532 14 03-99	Switch Ignition 3 Pos
31	532 14 04-00	Nut Ignition
32	532 14 12-26	Cover Sw Key Blk 1 25 Text SL T
33	532 14 04-01	Key Ign Molded Generic
34	532 11 07-12	Switch Light blk Blk red
35	532 10 82-36	Bracket Switch Clutch
36	817 02 10-08	Screw Tap Hex #10-24 UNC x 1/2
37	532 10 44-45	Switch Intik Clutch Gry 2 Term
38	532 13 08-90	Bracket Switch Interlock
39	532 10 95-53	Switch Intik Clutch Gry 4 Term
41	874 78 04-08	Bolt Hex Hd. Fin 1/4-20 x 1/2 Gr 5
42	532 13 15-63	Cover Terminal Red
43	532 10 99-46	Solenoid
44	873 68 04-00	Nut Keps hex 1 /4-20 UNC
45	532 14 08-44	Adapter Ammeter Rectangular
47	810 04 06-00	washer Lock Ext. Tooth 3/8

**NOTE:** All component dimensions given in U.S. inches.  
1 inch = 25.4 mm

# REPAIR PARTS

## WHEELS & TIRES



### KEY PART NO. NO.

### DESCRIPTION

1	532 05 91-92	Cap Valve Tire
2	532 06 51-39	Stem Valve
3	533 30 11-40	Tire F Ts 15 x 6 0 - 6 Service
4	532 05 99-04	Tube Front (Service Item Only)
6	532 00 02-78	Fitting Grease (Front Wheel Only)
7	532 00 90-40	Bearing Flange (Front Wheel Only)
9	532 12 20-74	Tire R Ts 18 x 9 5-8 C Service
10	532 00 71-52	Tube Rear (Service Item Only)
11	532 10 47-57	Cap Axle Blk 1 50 x 1 00

**NOTE:** All component dimensions given in U.S. inches.  
1 inch = 25.4 mm