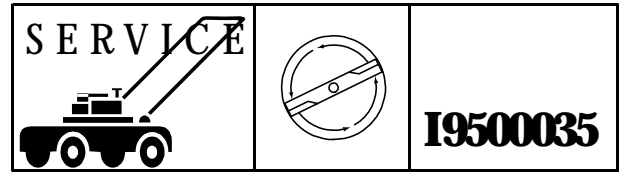


**Jonsered**



IPL, LRH13 36", 1995-01

# LRH13 36"

**Spare parts**

**Ersatzteile**

**Pièces détachées**

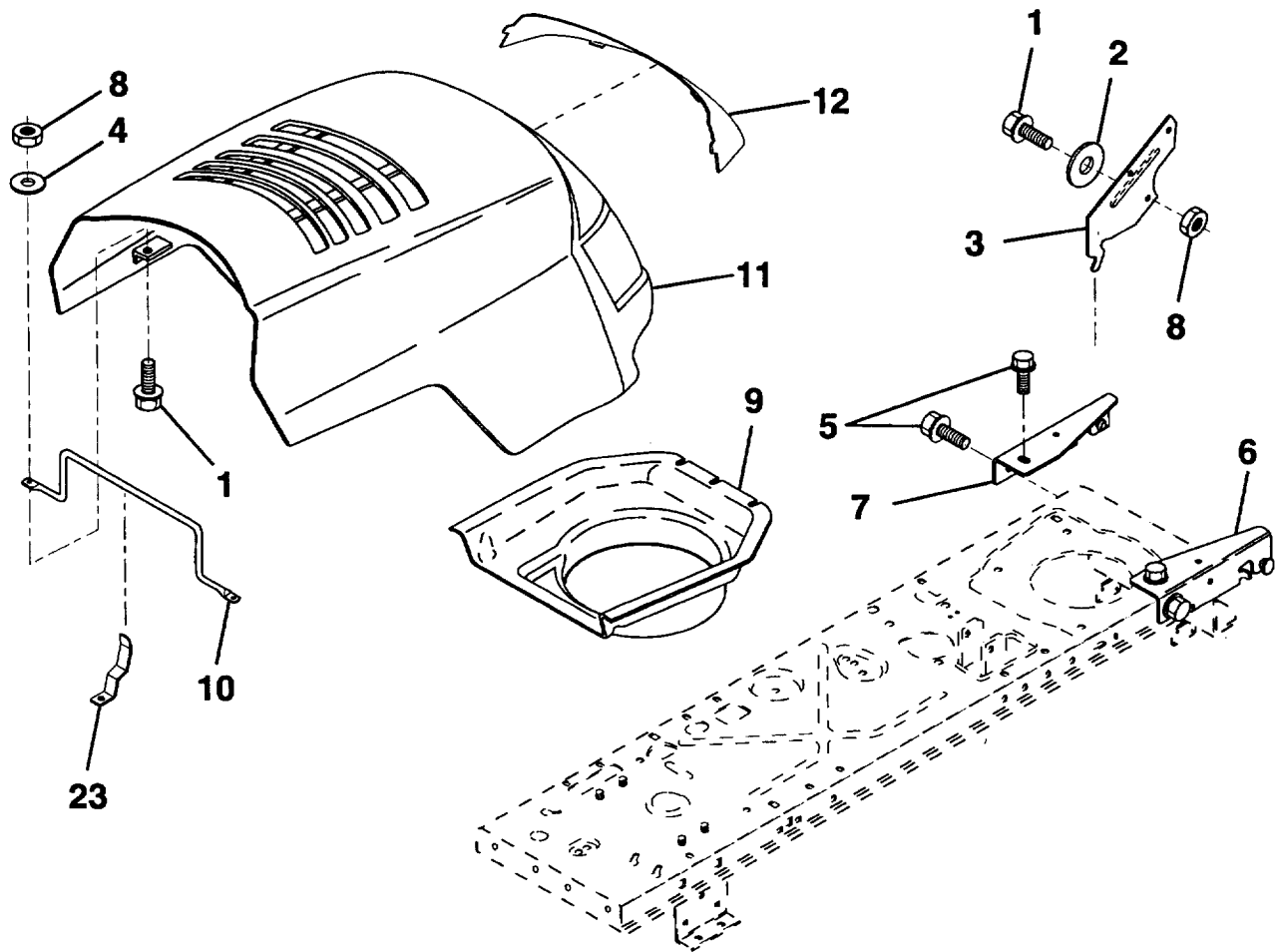
**Reserve onderdelen**

**Repuestos**

**Reservdelar**

# REPAIR PARTS

## HOOD

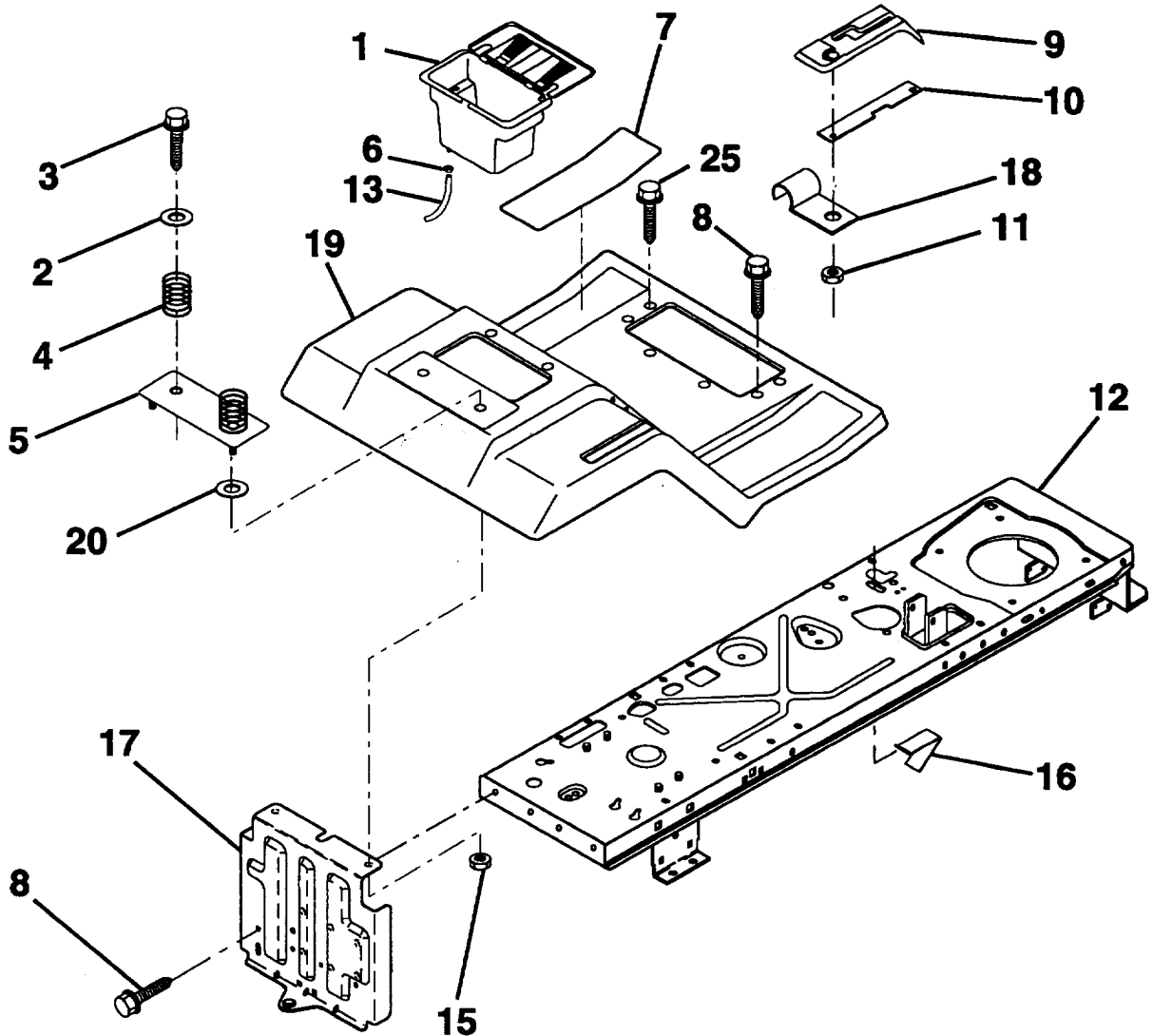


KEY NO.	PART NO.	DESCRIPTION	KEY NO.	PART NO.	DESCRIPTION
1	874 76 04-12	Bolt Fin Hex 1/4-20 x 3/4	8	873 68 04-00	Locknut W/Insert 1/4-20
2	819 09 20-16	Washer	9	532 13 96-24	Duct Air Hood
3	532 13 91-58	Bracket Pivot Hood	10	532 14 13-21	Rod Support
4	734 11 53-01	Washer, Flat 1/4	11	532 14 15-09	Hood
5	874 78 05-12	Screw Thdrol 5/16-28 x 3/4	12	532 13 92-98	Lens Bar
6	532 14 00-51	Bracket Asm. Pivot Hood R.H.	23	532 13 99-69	Latch Hood
7	532 14 00-50	Bracket Asm. Pivot Hood L.H.			

HARDWARE SHOWN LARGER FOR EASIER IDENTIFICATION

# REPAIR PARTS

## FENDER/CHASSIS

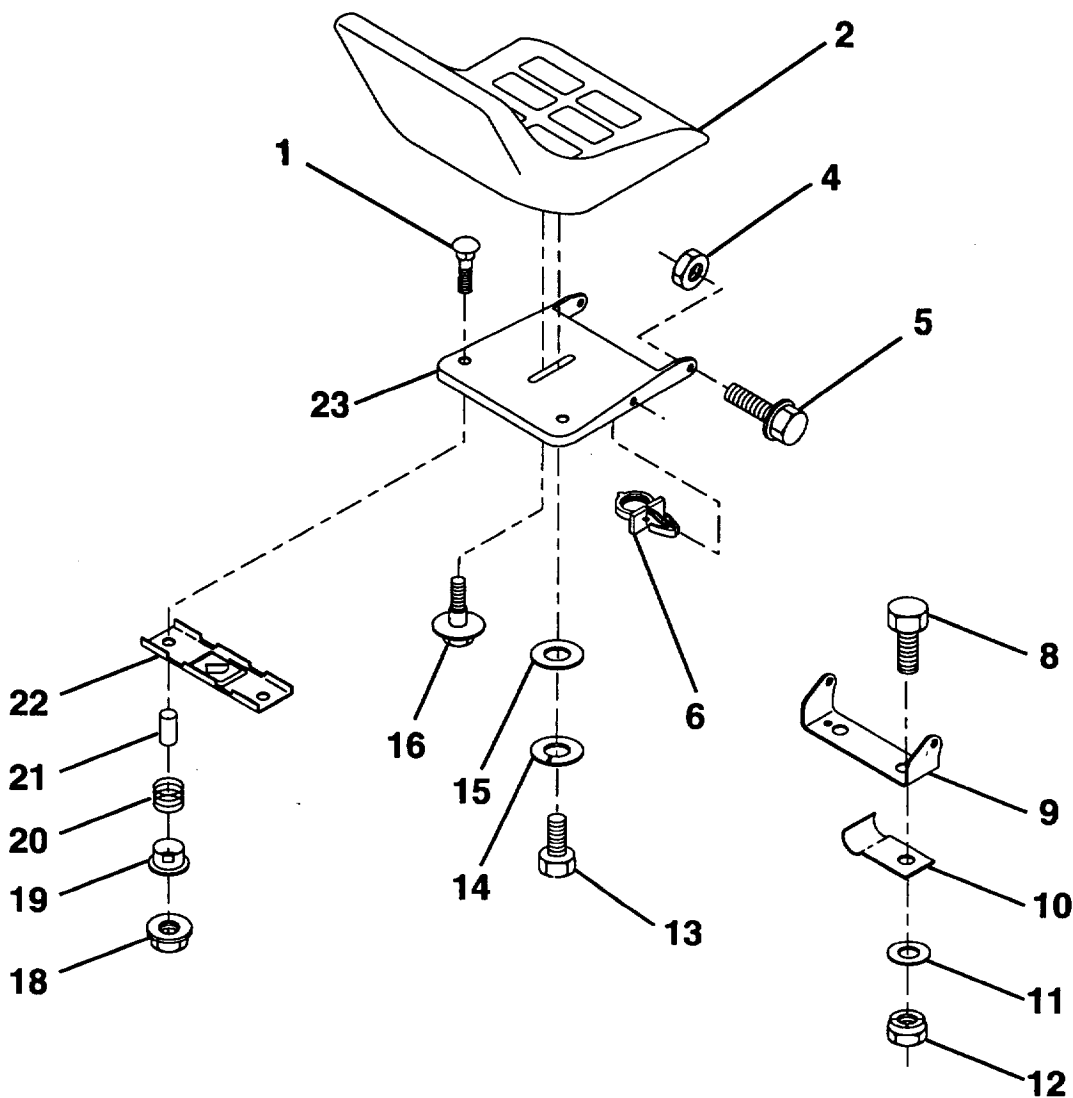


KEY NO.	PART NO.	DESCRIPTION	KEY NO.	PART NO.	DESCRIPTION
1	532 12 99-65	Case, Battery	11	532 12 43-46	Nut, Self-Threading Wsher Hd 3/16
2	734 11 74-41	Washer 13/32 x 1-1/4 x 12 Ga.	12	532 14 51-90	Assembly, Frame
3	874 78 06-12	Screw, Hex Wsh. Thrdrol 3/8-16 x 3/4	13	532 10 92-38	Tube, Battery Drain
4	532 12 41-81	Spring, Compression, Seat	15	873 68 04-00	Nut, Keps 1/4-20 UNC
5	532 12 54-31	Plate, Asm. Battery	16	532 14 17-36	Switch Actuator
6	532 10 95-96	Clamp, Hose	17	532 14 07-82	Drawbar
7	532 12 41-44	Pad, Footrest	18	532 12 64-70	Clip, Insulated
8	874 78 05-12	Screw, Thdrol 5/16-18 x 3/4	19	532 14 16-50	Fender/Footrest
9	532 12 69-95	Console, Shift Control	20	819 09 14-16	Washer 9/32 x 7/8 x 13 Ga.
10	532 13 97-83	Bar, Shift Lock	25	817 49 05-16	Scr-Hx Wsh Thd Rol 5/16-18 x 1

**HARDWARE SHOWN LARGER FOR EASIER IDENTIFICATION**

# REPAIR PARTS

## SEAT

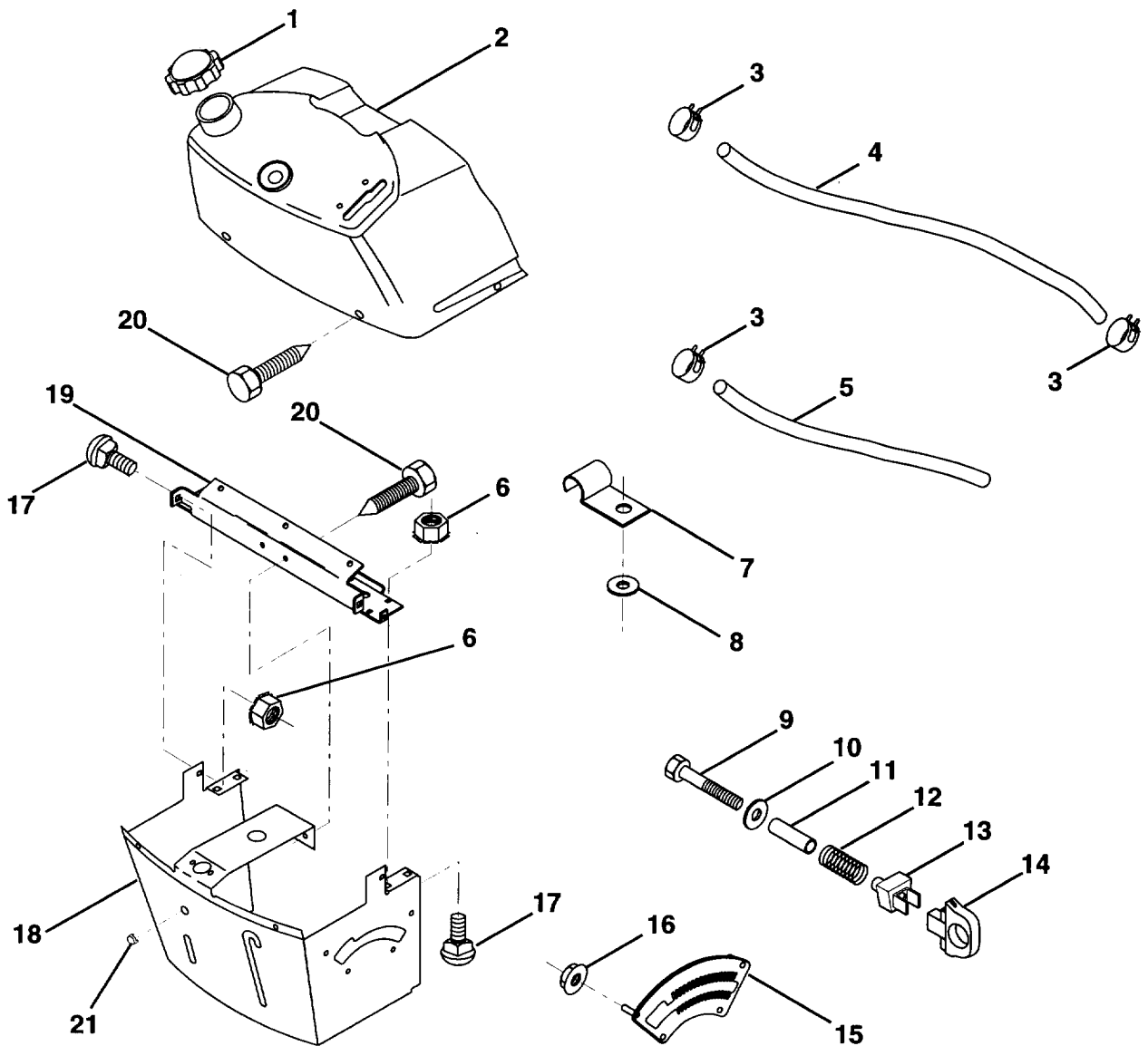


KEY NO.	PART NO.	DESCRIPTION	KEY NO.	PART NO.	DESCRIPTION
1	872 05 04-11	Bolt, Carriage 1/4-20x1-3/8	13	874 78 08-14	Bolt Hex 1/2-13x7/8
2	532 12 74-28	Seat	14	810 04 08-00	Washer Lock Hvy Hlicl Spring 1/2
4	873 80 05-00	Nut, Lock Hex W/Ins. 5/16-18	15	819 17 19-12	Washer, 17/32 x 1-3/16 x 12 Ga.
5	532 13 98-88	Bolt, Shoulder 5/16-18 UNC	16	532 12 70-18	Bolt, Shoulder
6	532 14 04-07	Clip, Insulated	18	873 68 04-00	Nut, Hex Large Flange Lock
8	874 78 06-16	Bolt, Fin Hex 3/8-16 UNC x 1	19	532 12 12-48	Bushing, Snap
9	532 14 05-51	Bracket, Pivot Seat	20	532 12 12-50	Spring, Compression
10	532 12 64-71	Clip Insulated	21	532 13 43-00	Spacer, Split 28 Id. x .88 Lg.
11	819 13 32-10	Washer 12/32 x 2 x 10 Ga.	22	532 12 12-46	Bracket, Switch, Mounting
12	873 68 06-00.	Nut, Lock Hex W/Wsh. 3/8-16 UNC	23	532 14 05-52	Pan, Seat

**HARDWARE SHOWN LARGER FOR EASIER IDENTIFICATION**

# REPAIR PARTS

## DASH



**KEY PART NO. NO.**

**DESCRIPTION**

1	532 14 15-23	Cap, Fuel
2	532 13 83-92	Assembly, Dash&FuelTank
3	532 12 34-87	Clamp, Hose
4	532 00 02-95	Line, Fuel
5	532 00 85-48	Line, Fuel
6	873 68 04-00	Nut, Hex, Keps 1/4-20
7	532 00 27-51	Clip, Fuel Line
8	734 11 54-41	Washer 9/32 x 3/4 x 16 Ga.
9	874 76 04-28	Bolt, Hex, Fin 1/4-20 x 1-3/4
10	819 09 14-16	Washer 11/32x11/16x16Ga.
11	532 12 12-49	Spacer, Split

**KEY PART NO. NO.**

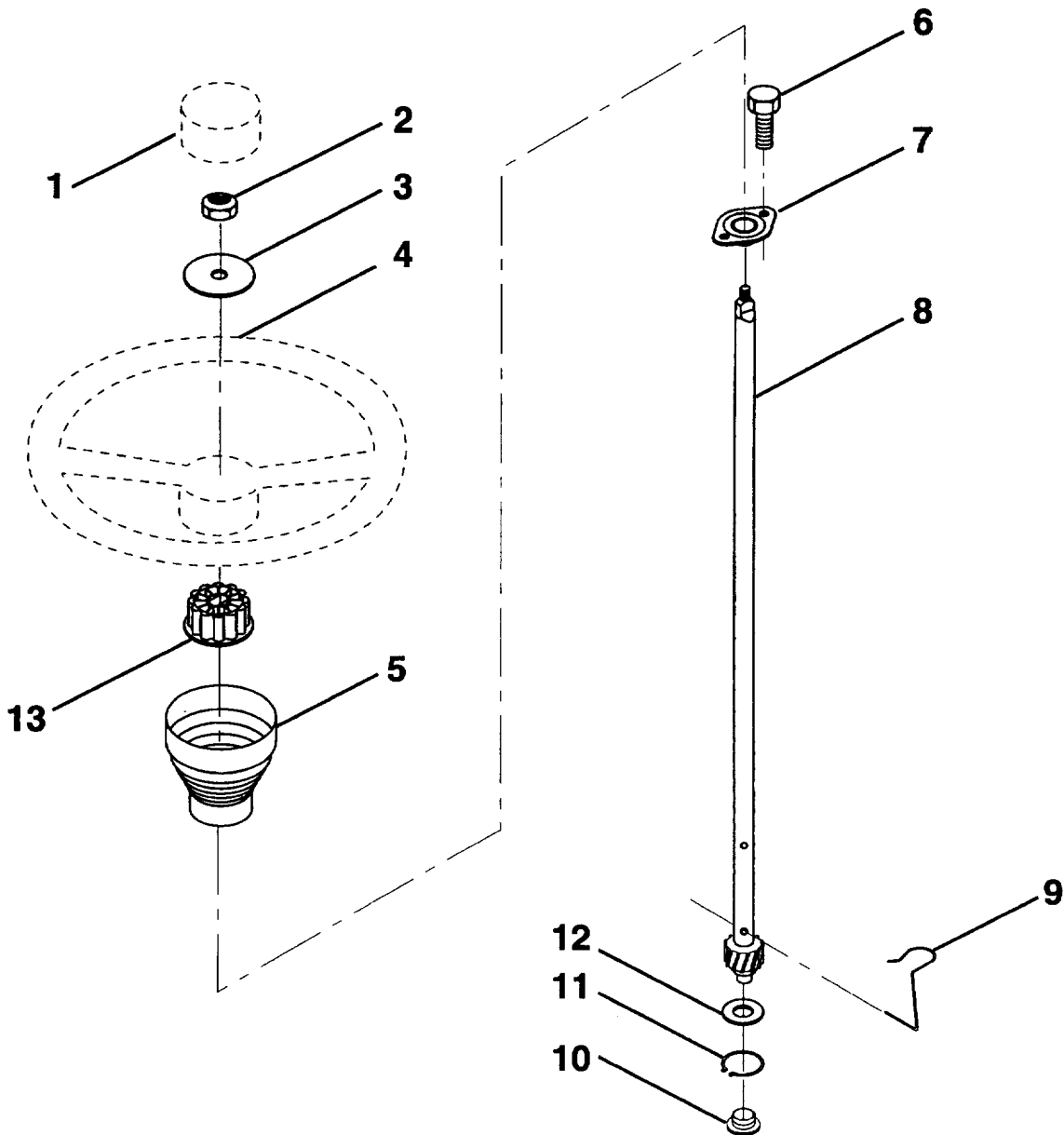
**DESCRIPTION**

12	532 00 37-20	Spring
13	532 12 64-50	Clip, HeightAdjustment
14	532 12 61-15	Knob, Height Stop
15	532 12 20-23	Adjustment, QuadrantHeight
16	532 12 43-46	Nut, Self-Threading 3/16-18
17	872 11 04-04	Bolt, Carriage 1/4-20 x 1/2 Gr. 5
18	532 13 07-45	Support Assembly, Dash
19	532 13 47-44	Brace, Cross
20	817 06 04-08	Screw, Self-Tapping 1/4-20 x 1/2
21	532 13 40-14	Plug Dome Black

**HARDWARE SHOWN LARGER FOR EASIER IDENTIFICATION**

# REPAIR PARTS

## STEERING WHEEL



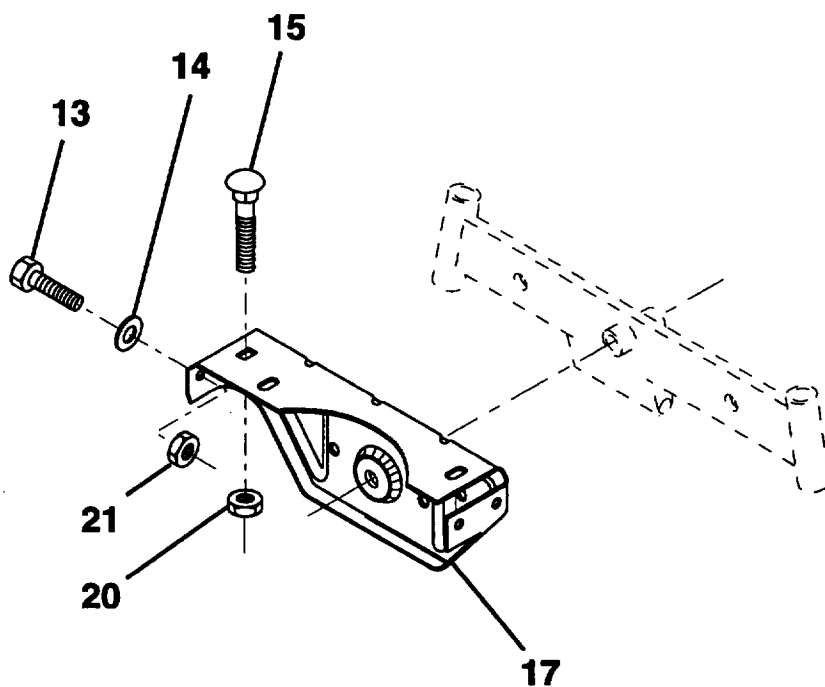
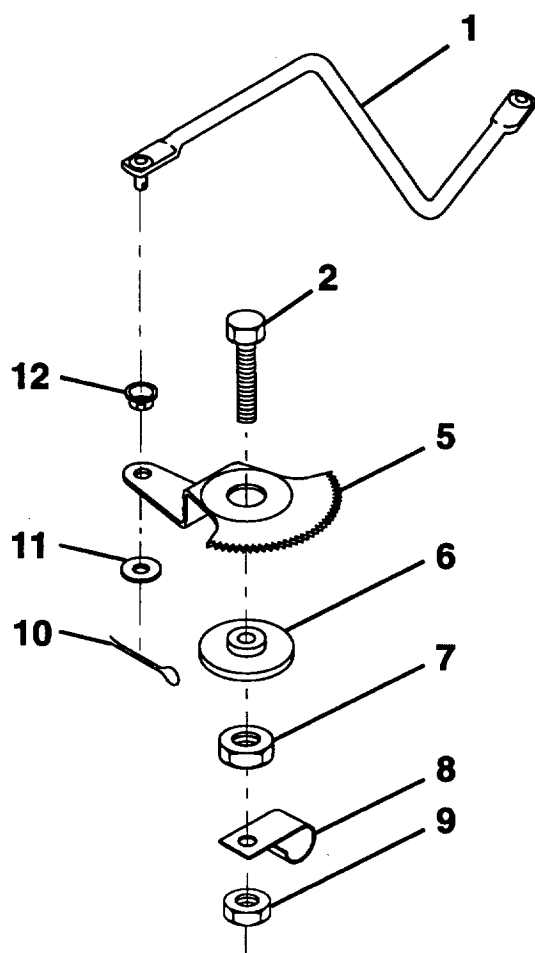
KEY NO.	PART NO.	DESCRIPTION
1	532 14 01-75	Insert, Wheel, Steering
2	873 61 06-00	Nut, Lock 3/8-24 UNF
3	819 13 38-08	Washer 12/32 x 2-3/8 x 8 Ga.
4	532 13 97-68	Wheel, Steering
5	532 12 18-97	Sleeve, Steering
6	817 21 10-08	Screw, Hex #10-16 x 1/2 TY-B
7	532 10 28-03	Bushing, Steering

KEY NO.	PART NO.	DESCRIPTION
8	532 12 36-51	Shaft, Steering
9	532 12 42-10	Clip, Steering
10	532 12 34-38	Bushing, Lower, Steering
11	812 00 00-45	Ring, Retaining
12	734 11 85-71	Washer 21/32x 1 x 16Ga.
13	532 10 48-20	Adaptor, Wheel, Steering

HARDWARE SHOWN LARGER FOR EASIER IDENTIFICATION

# REPAIR PARTS

## SECTOR GEAR/AXLE SUPPORT



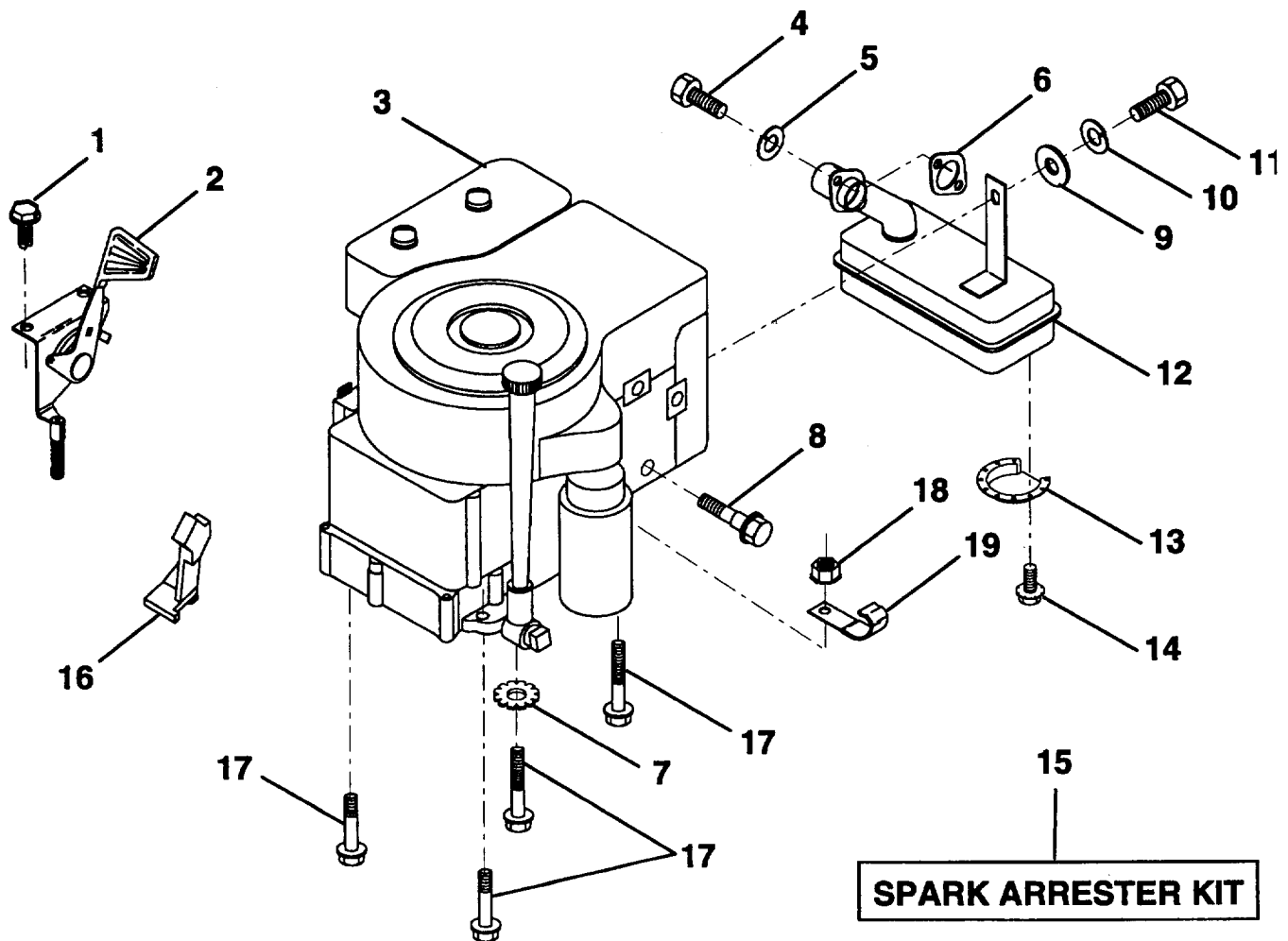
KEY NO.	PART NO.	DESCRIPTION
1	532 13 25-66	Link, Drag
2	874 78 08-28	Bolt, Fin Hex 1/2-13 x 1-3/4
5	532 12 19-26	Gear Sector
6	532 12 19-27	Bushing
7	873 68 08-00	Nut, Heavy Hex Top Lock 1/2-13 UNC
8	532 12 64-72	Clip, Insulated
9	873 68 08-00	Nut, Crownlock 3/8-16
10	876 02 04-12	Pin, Cotter 1/8 x 3/4

KEY NO.	PART NO.	DESCRIPTION
11	734 11 72-01	Washer, 13/32 x 13/16x 16 Ga.
12	532 12 68-47	Bushing
13	874 78 05-12	Bolt, Hex Hd. 5/16-18 UNCx 3/4
14	734 11 65-41	Washer 11/32 x 7/8 x 16 Ga.
15	872 11 06-06	Bolt, Carriage 3/8-16 UNC x 3/4
17	532 13 70-96	Support, Front Axle
20	873 68 06-00	Nut, Crownlock 3/8-16
21	873 80 05-00	Nut, Crownlock 5/16-18

**HARDWARE SHOWN LARGER FOR EASIER IDENTIFICATION**

# REPAIR PARTS

## ENGINE



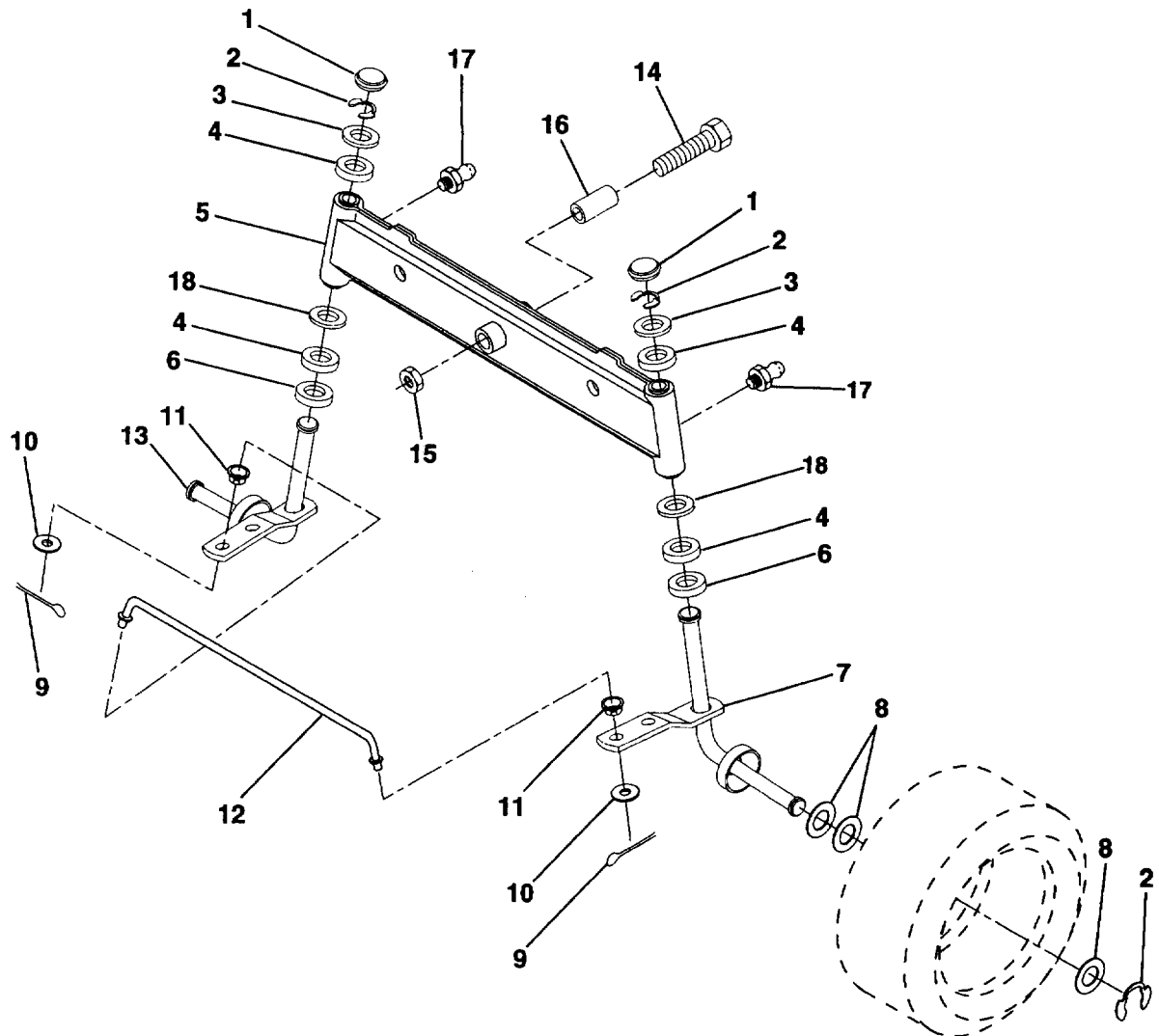
KEY NO.	PART NO.	DESCRIPTION	KEY NO.	PART NO.	DESCRIPTION
1	817 06 04-08	Screw, Hex Thd. Cut 1/4-20 x 1/2	10	810 04 04-00	Washer, Lock Hvy Hlcl Spring 1/4
2	532 13 30-25	Control, Throttle	11	874 76 04-12	Bolt, Hex Fin 1/4-20x 3/4
3	-----	Engine, Briggs and Stratton Model No. 286707	12	532 13 74-37	Muffler
4	871 07 05-12	Screw, Hex, Cap 5/16-18 x 3/4	13	532 10 13-26	Deflector, Muffler
5	810 04 05-00	Washer, Lock Heavy Helical Spring 5/16	14	817 03 08-08	Screw, Spiderloc
6	532 12 55-93	Gasket, Exhaust	15	532 13 71-80	Arrester, Spark (Optinal equipment)
7	810 04 06-00	Washer Lock Ext. Tooth 3/8	16	532 12 79-51	Stop, Throttle
8	532 12 10-94	Bolt Shoulder 5/16	17	874 78 06-24	Screw, Hex Washer Head, Thdrol. 3/8-16 x 1 -1/2
9	734 11 54-41	Washer 5/16 x 3/4 x 16	18	873 22 06-00	Nut Keps Hex 3/8-16
			19	532 00 27-51	Clip Line Fuel

HARDWARE SHOWN LARGER FOR EASIER IDENTIFICATION



# REPAIR PARTS

## FRONT AXLE

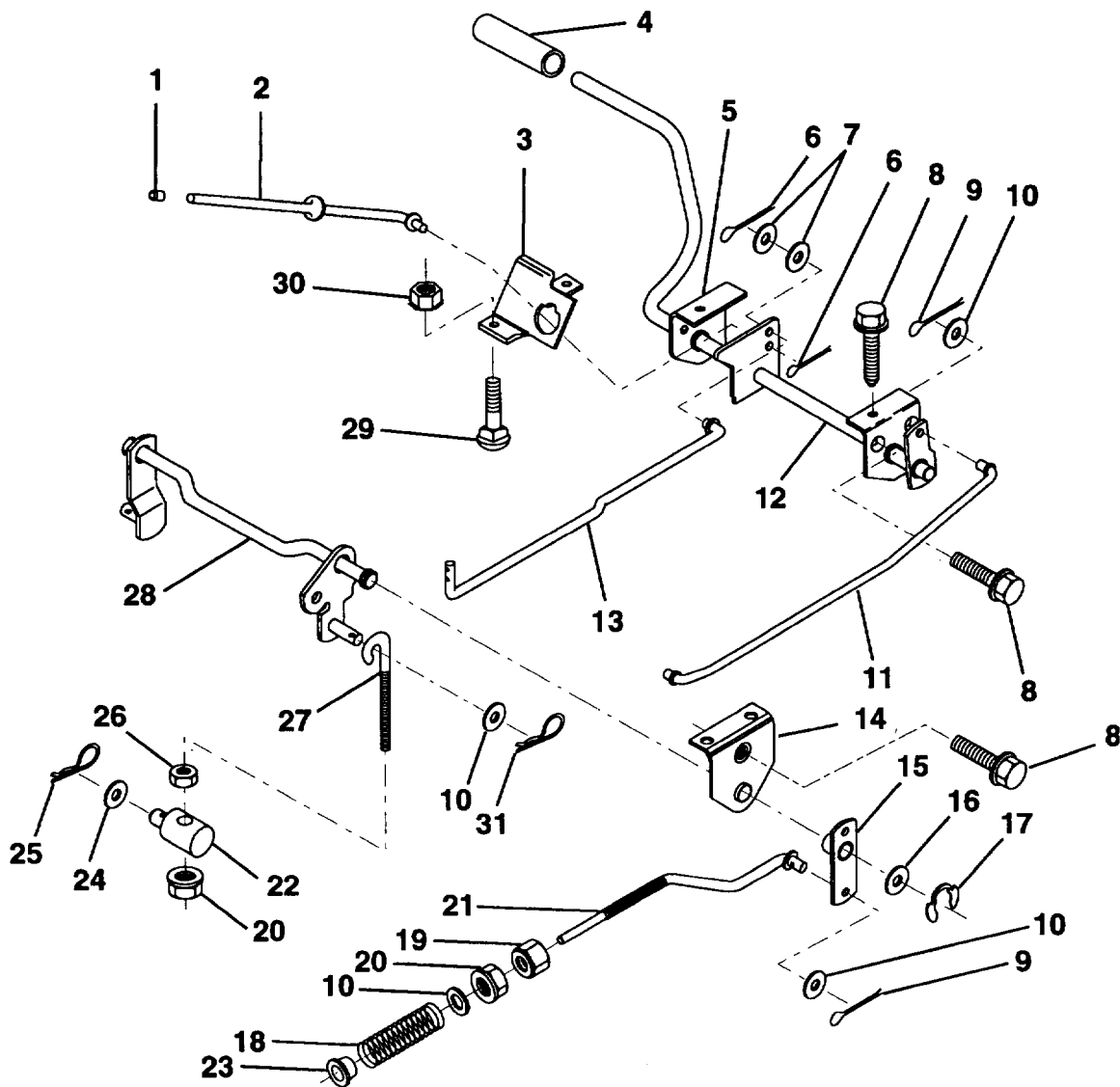


KEY NO.	PART NO.	DESCRIPTION	KEY NO.	PART NO.	DESCRIPTION
1	532 12 12-32	Cap,Spindle	10	734 11 72-01	Washer 13/32 x 13/16 x 16 Ga.
2	812 00 00-29	Ring, Clip	11	532 12 68-47	Bushing
3	532 12 17-48	Washer 25/32 x 1-5/8 x 16 Ga.	12	532 13 04-65	Rod, Tie
4	532 00 33-66	Nyliner	13	532 13 70-61	Spindle, L.H. Asm.
5	532 14 20-33	Axle, Front	14	874 01 10-56	BoltHex5/1-11 x3-1/2
6	532 00 62-66	Bearing, Thrust	15	873 68 10-00	Nut, Lock Plange 5/8-11
7	532 13 70-62	Spindle, R.H. Asm.	16	532 11 04-38	Spacer Bearing Axle
8	532 12 17-49	Washer 25/32 x 1-1/4 x 16 Ga.	17	532 12 48-36	Fitting Grease
9	876 02 04-12	Pin, Cotter 1/8 x 3/4	18	819 27 20-16	Washer 27/32 x 1-1/4 x 16 Ga.

**HARDWARE SHOWN LARGER FOR EASIER IDENTIFICATION**

# REPAIR PARTS

## BRAKE/REAR MOWER LIFT ASSEMBLY

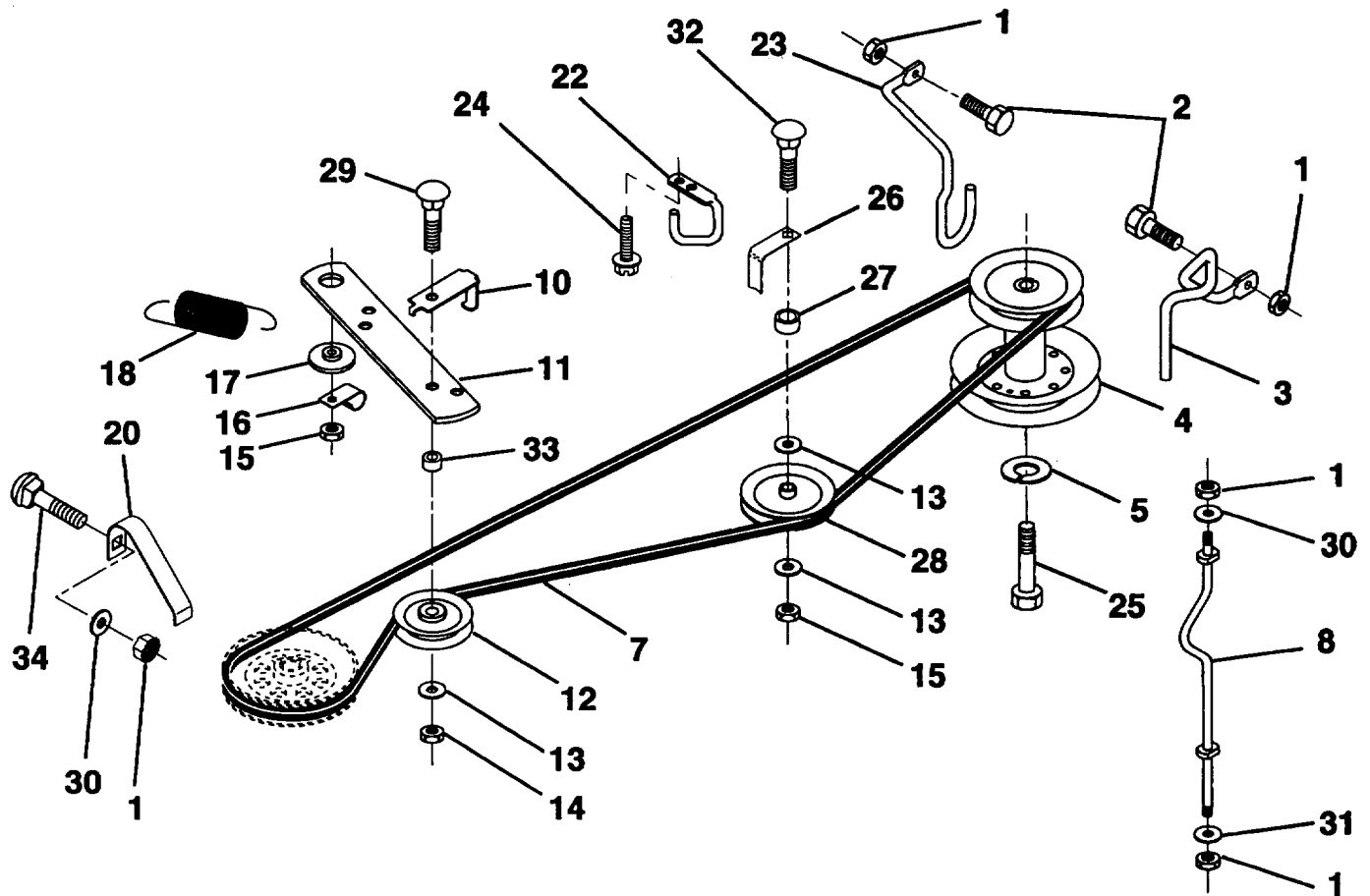


KEY NO.	PART NO.	DESCRIPTION	KEY NO.	PART NO.	DESCRIPTION
1	532 07 16-73	Cap, Plunger	16	819 25 18-16	Washer 25/32 x 1-1/8 x 16 Ga.
2	532 12 34-36	Rod, Parking Brake	17	812 00 00-34	Ring, Klip
3	532 12 34-37	Bracket, Parking Brake	18	532 10 68-88	Spring, Brake Rod
4	532 12 48-72	Cover, Pedal	19	873 22 06-00	Nut, Hex, Jam 3/8-16 UNC
5	532 12 25-04	Bracket, Clutch/Brake Pedal, L.H.	20	873 68 06-00	Nut, Crownlock 3/8-16 UNC
6	876 02 03-12	Pin, Cotter 3/32 x 3/4	21	532 14 44-13	Rod, Rear Brake
7	734 11 71-71	Washer 13/32 x 5/8 x 16 Ga.	22	532 14 45-85	Trunnion, Lift
8	817 49 05-08	Screw, Hex Thd. Roll. 5/16-18x1i2	23	532 12 68-47	Bushing, Link, Drag
9	876 02 04-12	Pin, Cotter 1/8x 3/4	24	734 11 74-41	Washer 13/32 x 1-1/4 x 12 Ga.
10	734 11 72-01	Washer 13/32 x 13/16 x 16 Ga.	25	532 00 49-21	Spring, Retainer
11	532 12 35-43	Rod, Brake Front	26	873 68 06-00	Nut, Centerlock 3/8-16 UNC
12	532 13 99-33	Assembly, Clutch/Brake Pedal	27	532 12 73-69	Link, Threaded
13	532 12 33-94	Rod, Clutch	28	532 14 07-76	Assembly, Rear Mower Lift
14	532 12 19-78	Bracket, Lift, Shaft	29	872 11 05-06	Bolt, Carriage 5/16-18 UNC x 3/4
15	532 13 33-32	Assembly, Brake, Pivot, Arm	30	873 68 05-00	Nut, Keps 5/16-16 UNC
			31	532 12 46-60	Retainer, Spring

HARDWARE SHOWN LARGER FOR EASIER IDENTIFICATION

# REPAIR PARTS

## GROUND DRIVE

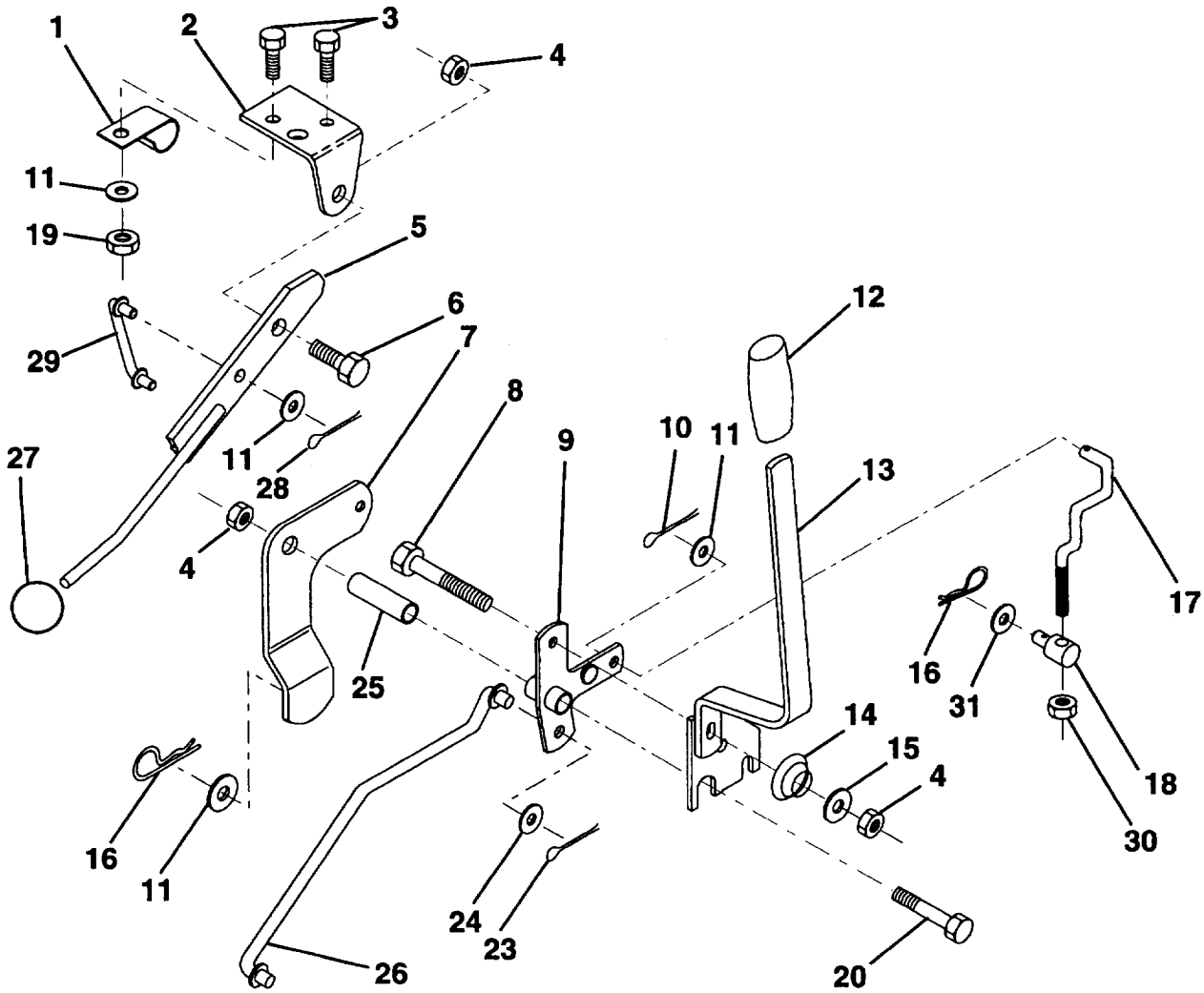


KEY NO.	PART NO.	DESCRIPTION	KEY NO.	PART NO.	DESCRIPTION
1	873 80 05-00	Nut, Lock Hx w/Ins. 5/16-18	18	532 13 14-59	Spring, Extension
2	874 78 05-12	Bolt, Hex Head 5/16-18 x 3/4	20	532 14 09-09	Keeper, Belt L.H.
3	532 14 12-97	Keeper, Belt R.H. Front	22	532 12 34-04	Keeper Frame Ground Drive Belt
4	532 13 80-29	Pulley, Engine	23	532 14 09-16	Keeper, Belt L.H. Front
5	810 04 07-00	Washer, Lock 7/16	24	874 78 04-08	Screw, Thd. Cut 1/4-20 x 1/2
7	532 14 09-10	V-Belt	25	871 17 07-44	Bolt, Hex 7/16-20 Gr. 5
8	532 14 07-85	Keeper, Belt R.H.	26	532 14 09-13	Keeper, Belt
10	532 14 07-80	Keeper, Belt, Idler Pulley	27	532 14 09-14	Spacer
11	532 14 09-11	Arm, Idler	28	532 13 91-23	Pulley, V-Idler
12	532 12 36-74	Idler, Flat	29	874 76 06-36	Bolt, Carriage 3/8-16 x 2-1/4
13	734 11 72-01	Washer 13/32 x 13/16 x 16 Gauge	30	734 11 63-01	Washer
14	873 68 06-00	Nut, Centerlock 3/8-16	31	734 11 63-01	Washer
15	873 68 06-00	Nut, Crownlock 3/8-16	32	872 14 06-20	Carriage Bolt
16	532 12 64-71	Clip Insulator	33	532 00 01-60	Spacer
17	532 12 20-52	Spacer, Retainer	34	872 14 05-06	Carriage Bolt

HARDWARE SHOWN LARGER FOR EASIER IDENTIFICATION

# REPAIR PARTS

## MOWER LIFT LEVER

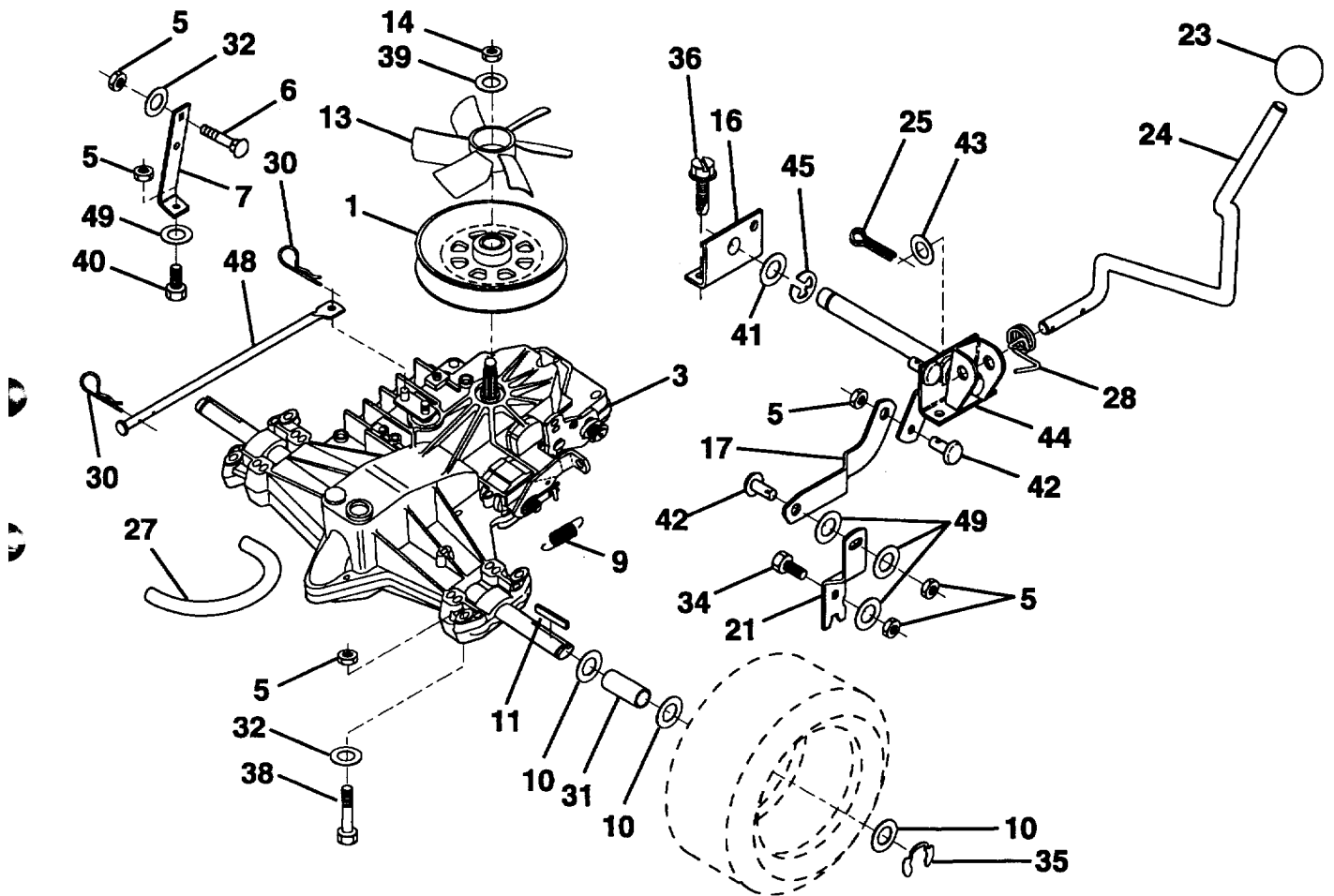


KEY NO.	PART NO.	DESCRIPTION	KEY NO.	PART NO.	DESCRIPTION
1	532 12 64-70	Clip, Insulated	16	532 00 49-21	Retainer, Spring
2	532 12 20-18	Bracket, Mower Clutch	17	532 12 73-59	Link, Front Lift
3	874 78 04-08	Bolt, Fin. Hex 1/4-20 UNC x 1/2	18	532 14 20-28	Trunnion, Threaded 3/8-16
4	873 68 06-00	Nut, Crownlock 3/8-16 UNC	19	873 68 04-00	Nut, Crownlock 1/4-20
5	532 14 51-87	Assembly, Clutch Lever	20	874 76 06-44	Bolt, Fin Hex 3/8-16 UNC x 2-3/4
6	532 10 64-51	Bolt, Shoulder	23	876 02 04-16	Pin, Cotter 1/8 x 1
7	532 13 53-71	Assembly, Mower Clutch Arm	24	734 11 78-01	Washer 17/32 x 1 x 12 Ga.
8	874 76 06-36	Bolt, Hex 3/8-16 UNC x 2-1/4	25	532 12 19-33	Tube, Spacer
9	532 12 19-30	Assembly, Bellcrank Lift	26	532 14 14-70	Rod, Mower Lift
10	876 02 04-12	Pin, CoKer 1/8 x 3/4	27	532 12 14-66	Knob
11	734 11 72-01	Washer 13/32 x 13/16 x 16 Ga.	28	876 02 03-12	Pin, Cotter 3/32 x 3/4
12	532 12 20-27	Grip, Handle	29	532 13 16-55	Link, Mower Clutch
13	532 13 93-52	Assembly, Lift Handle	30	873 22 06-00	Nut Hex Jam 3/8-16 x 1.30
14	532 12 34-96	Spring, Compression	31	734 11 74-41	Washer 13/32 x 1-1/4 x 12 Ga.
15	734 11 72-01	Washer 13/32 x 3/4 x 12 Ga.			

**HARDWARE SHOWN LARGER FOR EASIER IDENTIFICATION**

# REPAIR PARTS

## TRANSAXLE



### KEY PART NO. NO.

### DESCRIPTION

1	532 14 07-79	Pulley
3	532 14 06-07	Transaxle, Hydro 0310-0500
5	873 80 05-00	Nut
6	872 14 05-06	Bolt, Carriage
7	532 14 07-74	Strap, Torque
9	532 11 04-22	Spring, Brake
10	532 12 17-49	Washer 25/32 x 1-1/4 x 16 Ga.
11	532 12 35-83	Key, Square
13	532 14 07-78	Fan, Transaxle, Hydro
14	532 00 92-04	Nut
16	532 14 07-63	Support, Shift Handle
17	532 14 07-67	Link, Shift
21	532 14 07-73	Lever, Shift
23	532 14 08-45	Knob, Shifter
24	532 14 07-65	Rod, Shifter
25	876 02 04-16	Pin, Cotter
27	532 14 25-64	Hose, Vent
28	532 14 07-72	Spring, Torsion

### KEY PART NO. NO.

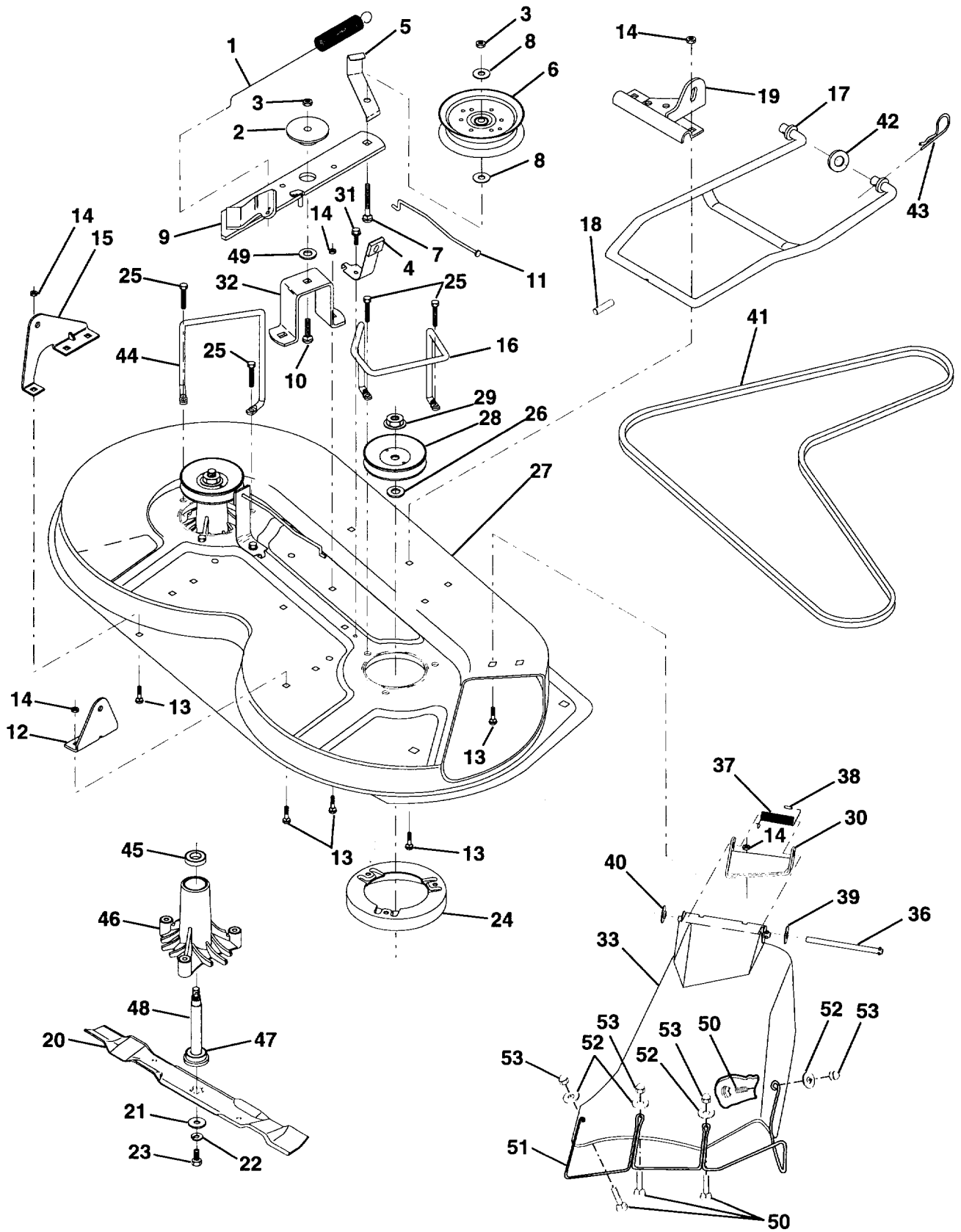
### DESCRIPTION

30	532 12 47-88	Retainer Spring
31	532 12 11-99	Spacer
32	734 11 63-01	Washer
34	874 78 05-16	Bolt Hex Hd 5/16-18 x 1
35	812 00 00-01	E-Ring
36	874 78 04-08	Screw, Thd. Cut 1/4-20 x 1/2
38	874 76 05-40	Bolt, Hex Head
39	819 17 19-12	Washer
40	874 78 05-24	Bolt
41	819 21 20-13	Washer
42	532 14 07-69	Pivot Pin
43	734 11 77-71	Washer
44	532 14 07-64	Pivot Shaft Assembly
45	812 00 00-02	E-Ring
48	532 14 09-12	Actuator, Bypass, Hydro
49	734 11 63-01	Washer

HARDWARE SHOWN LARGER FOR EASIER IDENTIFICATION

# REPAIR PARTS

## MOWER DECK



# REPAIR PARTS

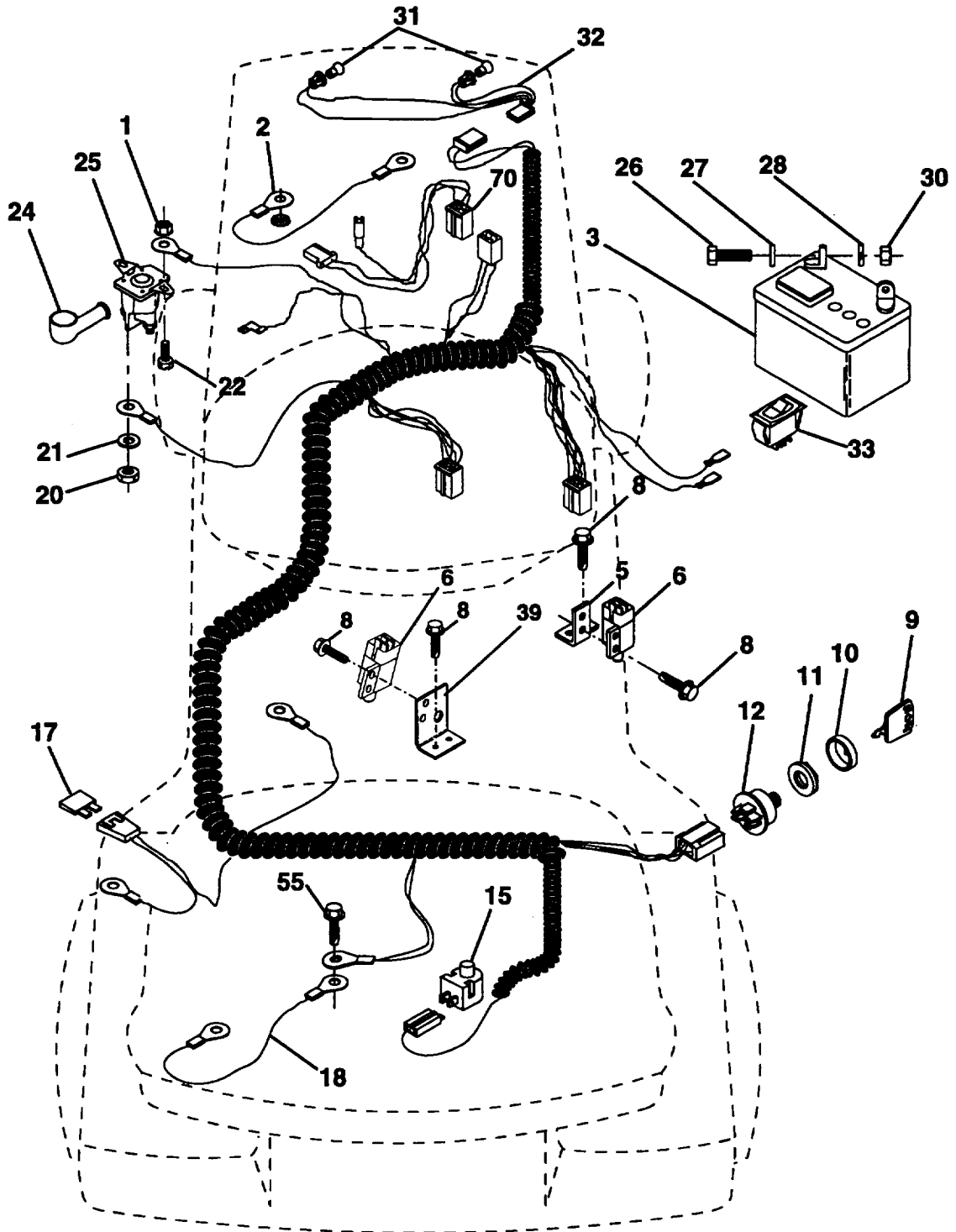
## MOWER DECK

KEY NO.	PART NO.	DESCRIPTION
1	532 14 00-64	Spring, Mower Clutch
2	532 12 20-52	Spacer, Retainer
3	873 68 06-00	Nut, Crownlock 3/8-16
4	532 13 08-40	Brake Asm.
5	532 13 12-51	Guide, Belt Idler
6	532 12 36-74	Pulley, Flat Idler
7	872 11 06-16	Bolt, Carr. 3/8-16 x 1 -3/4 Gr. 5
8	734 11 72-01	Washer 13/21 x 7/8 x 10 Ga.
9	532 14 00-92	Arm Asm., Idler Mower
10	872 14 06-10	Bolt, Carriage 3/8-16 x 1
11	532 13 08-41	Rod, Brake
12	532 12 73-56	Bracket, Lift R. H. Rear
13	872 14 05-06	Bolt, Carriage 5/16-18 x 3/4
14	873 80 05-00	Nut, Crownlock 5/16-18
15	532 12 73-57	Bracket, Lift L.H. Rear
16	532 14 00-93	Keeper, R. H.
17	532 12 85-08	Link, Asm. Mower Stabilizer
18	532 12 85-11	Pin, Drive
19	532 12 73-80	Bracket, Asm. Front
20	532 13 84-96	Blade, High Performance
21	532 14 02-96	Washer, Hard
22	810 04 06-00	Washer, Lock 3/8
23	532 85 08-57	Bolt 3/8-24 x 1-1/4 Gr. 8
24	532 14 03-29	Stripper
25	532 13 87-76	Screw Thdrol Hex Hd
26	532 12 99-63	Washer.150 Thk.
27	532 12 99-83	Deck Assembly
28	532 12 92-07	Pulley, Mandrel
29	532 13 72-66	Nut, Flangelock 9/16
30	532 13 66-31	Bracket, Asm. Deflector
31	817 49 05-08	Screw, Hex Wsh. Thdrol 5/16-18 x 1/2
32	532 12 20-51	Arm, Support Idler Mower
33	532 13 90-83	Deflector
36	532 12 19-80	Rod, Hinge
37	532 12 37-13	Spring, Torsion Deflector
38	532 10 53-04	Cap, Sleeve
39	734 11 63-01	Washer 11/32 x 5/8 x 16 Ga.
40	532 11 04-52	Pushnut
41	532 13 12-64	V-Belt
42	734 11 78-01	Washer 11/32 x 5/8 16 Ga.
43	532 12 46-60	Retainer, Spring
44	532 14 06-08	Keeper, L.H.
45	532 11 04-85	Bearing
46	532 12 87-74	Housing Mandrel Vented
47	532 12 98-95	Bearing
48	532 13 76-45	Shaft, Mandrel (Includes Key # 47)
49	532 13 39-43	Washer Hardened
50	532 14 59-89	Bolt, Carriage M5 x 16 mm
51	532 13 63-83	Guard, Deflector, Mower 36" TUV (W/Form)
52	819 07 07-18	Washer 7/32 x 7/16 x 18 Ga.
53	532 14 59-90	Nut, Acorn M5 x 0.8
--	532 13 07-94	Mandrel Asm. (Includes Key No.'s 22-23, 26, 29 and 45-48)

**HARDWARE SHOWN LARGER FOR EASIER IDENTIFICATION**

# REPAIR PARTS

## ELECTRICAL





# REPAIR PARTS

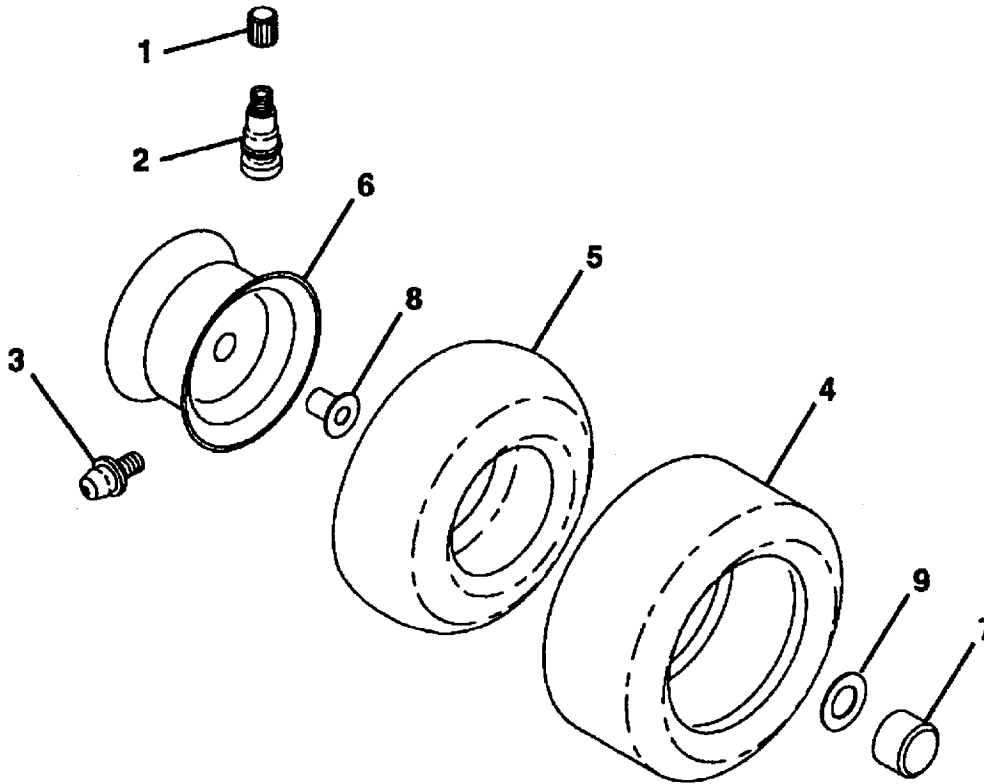
## ELECTRICAL

KEY NO.	PART NO.	DESCRIPTION
1	873 68 04-00	Nut, Hex Keps 1 /4-20
2	532 10 84-23	Assembly, Cable
3	532 14 49-24	Battery
5	532 10 82-36	Bracket, Switch
6	532 10 95-53	Switch, Interlock(4-terminal)
8	817 02 10-08	Screw, Hex Hd. Tap #10-24 x 1/2
9	532 14 04-01	Key, Molded
10	532 14 12-26	Cover, Key Ignition
11	532 14 04-00	Nut, Ignition
12	532 14 49-21	Switch, Ignition
15	532 12 13-05	Switch, Plunger
17	532 10 88-24	Fuse
18	532 12 83-53	Asssembly, Cable
20	873 22 04-00	Nut, Hex Jam 1/4-20
21	810 04 04-00	Washer, Lock 1/4
22	874 78 04-08	Bolt, Fin Hex 1/4-20 UNC x 1/2
24	532 13 15-63	Cover, Terminal
25	532 14 57-63	Solenoid
26	874 76 04-12	Bolt, Hex Hd. 1/4-20 UNC x 3/4
27	734 11 53-01	Washer 9/32 x 5/8 x 16
28	810 04 04-00	Washer, Lock 1/4
30	873 22 04-00	Nut, Fin. Hex 1/4-20 UNC
31	532 00 41-52	Bulb, Light
32	532 13 68-50	Harness, Headlight
33	532 11 07-12	Switch, Light
39	532 14 17-35	Bracket Switch Clutch
55	817 49 05-08	Screw Thdrol 5/16-18 x 1/2
70	532 14 04-13	Harness Engine

**HARDWARE SHOWN LARGER FOR EASIER IDENTIFICATION**

# REPAIR PARTS

## WHEELS & TIRES



KEY NO.	PART NO.	DESCRIPTION
1	532 05 91-92	Cap, Valve
2	532 06 51-39	Stem, Valve
3	532 00 02-78	Fitting, Grease (Front Wheels Only)
4	533 30 11-40	Tire, Front
4	532 13 27-03	Tire, Rear
5	532 05 99-04	Tube, Front (Optional Service Items Only)
5	532 00 81-34	Tube, Rear (Optional Service Items Only)
6	532 12 23-94	Rim, Front
6	532 14 16-52	Rim, Rear
7	532 10 47-57	Cap Axle
8	532 00 90-40	Bearing Flange
9	532 12 17-48	Washer 25/32 x 1-5/8 x 16 Ga.

**HARDWARE SHOWN LARGER FOR EASIER IDENTIFICATION**