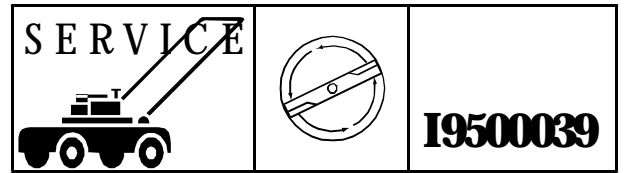


Jonsered



IPL, LT14 42" , 1995-01

LT14 42"

Spare parts

Ersatzteile

Pièces détachées

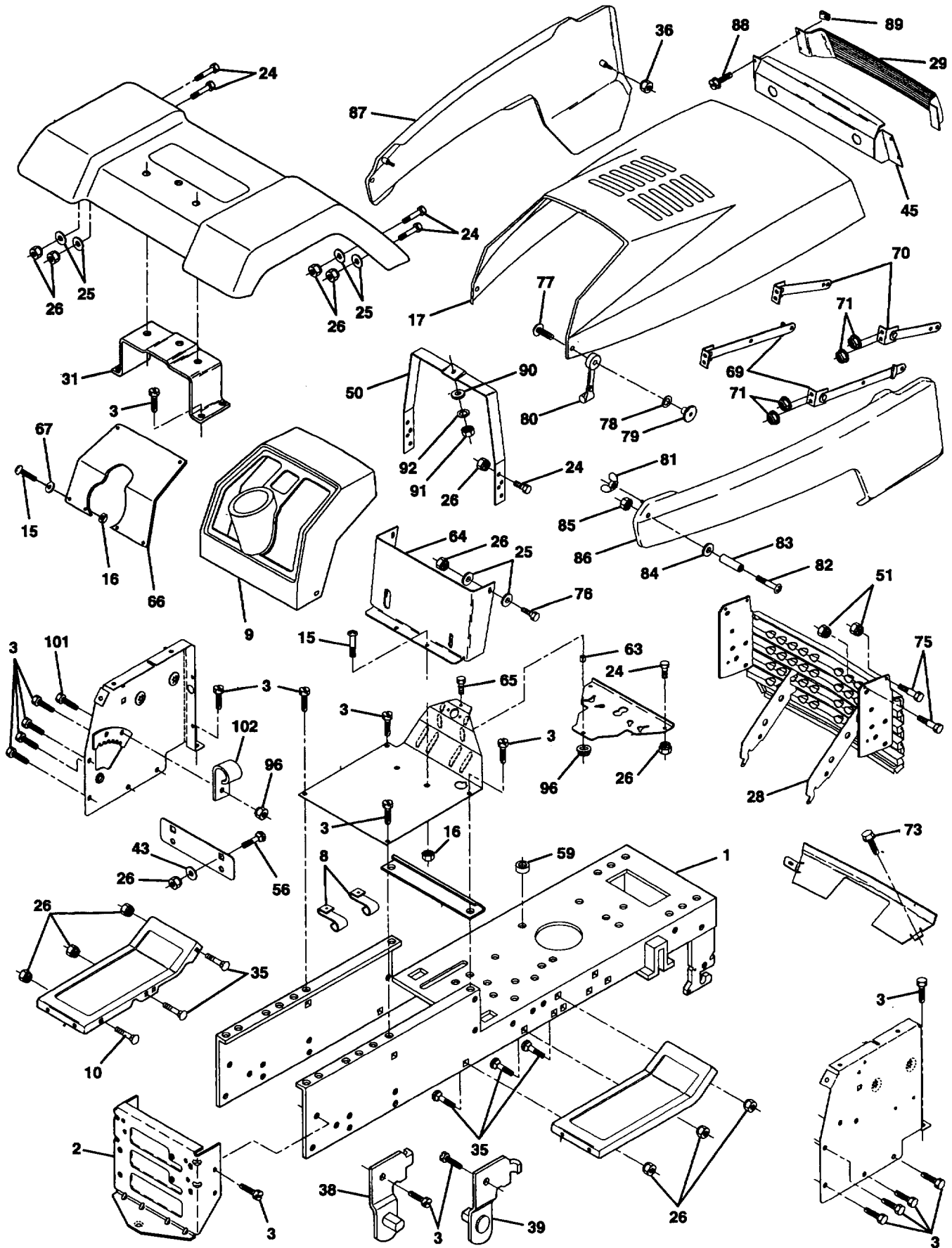
Reserve onderdelen

Repuestos

Reservdelar

REPAIR PARTS

ENCLOSURES



REPAIR PARTS

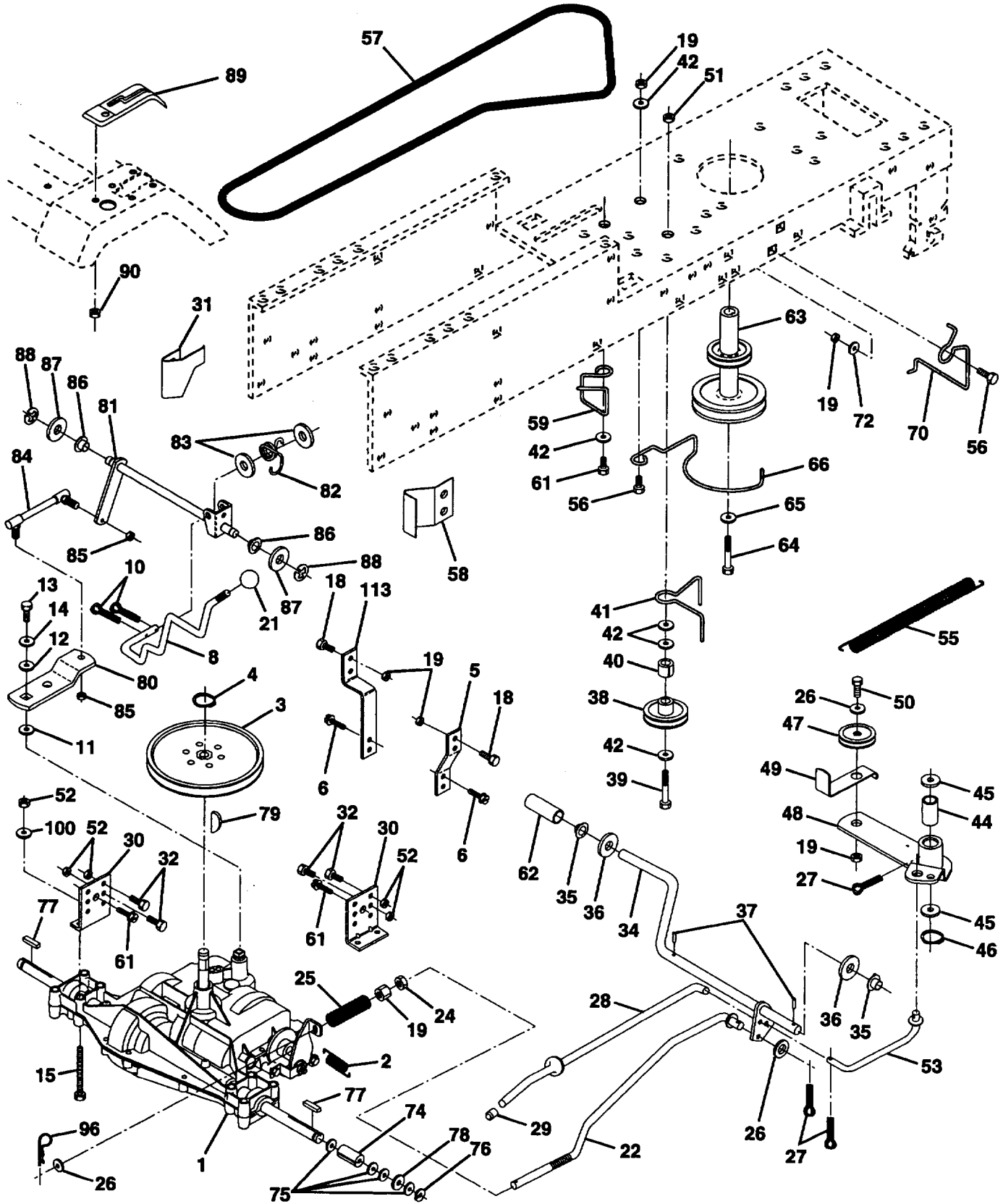
ENCLOSURES

KEY NO.	PART NO.	DESCRIPTION	KEY NO.	PART NO.	DESCRIPTION
1	532 14 03-41	Chassis	64	532 13 21-77	Dash, Lower
2	532 14 03-56	Drawbar	65	874 76 05-32	Bolt, Hex 5/16-18 x 2 Grade 5
3	874 78 06-12	Screw, Hex Washer Head, Thread Forming 3/8-16 x 3/4 Type TT	66	532 14 12-82	Plate, Dash
8	532 12 64-71	Clip, Insulator	67	734 11 63-01	Washer 11/32 x 11/16 x 16 Ga.
9	532 14 03-98	Dashboard	69	532 10 67-84	Assembly, Strap, Hinge, Rear
10	872 11 06-08	Bolt, Rdhd. Sqnk 3/8-16 x 1	70	532 10 46-18	Assembly, Strap, Hinge, Front
15	874 18 05-12	Screw, Truss Head 5/16-18 x 3/4	71	873 68 04-00	Nut, Keps Blk Hex 1/4-20 UNC
16	873 68 05-00	Nut, Keps 5/16-18	73	874 78 04-08	Screw, Tap Tite 1/4-20 x 1/2
17	532 14 45-45	Hood	75	533 30 40-86	Bolt, Shoulder 1/4-20
24	874 78 06-16	Bolt, Hex 3/8-16 x 1	76	874 78 06-20	Bolt, Fin Hex 3/8-16 UNC
25	734 11 72-01	Washer 13/32 x 13/16 x 3/4	77	532 04 19-45	Screw, Cross Recess Pan Head Machine #10-24 x 1/2
26	873 68 06-00	Nut, Lock 3/8-16	78	810 07 10-00	Washer, Lock #10
28	532 13 17-16	Assembly, Grill	79	532 00 20-29	Nut, Weld
29	532 10 63-95	Lens	80	532 10 98-08	Latch, Hood
31	532 13 66-19	Assembly, Bracket, Eender	81	532 12 31-98	Nut, Wing 14-20
35	872 11 06-06	Bolt, Carriage 3/8-16 x 3/4	82	874 98 10-20	Screw, Machine Cross Recess #10-24 x 1-1/4
36	532 10 80-67	Nut, Pal	83	532 00 72-06	Spacer, Split 10 x 3/4
38	532 13 98-86	Bracket, Asm. Pivot L.H., Mower, Rear	84	734 11 46-01	Washer 7/32 x 1/2 x 18 Ga.
39	532 13 98-87	Bracket, Asm. Pivot R.H., Mower, Rear	85	873 27 10-00	Nut, Keps 10-24
43	819 17 14-16	Washer 17/32 x 7/8 x 16 Ga.	86	532 14 45-47	Panel, Side, R.H.
45	532 12 43-92	Assembly, Bezel	87	532 14 45-48	Panel, Side, L.H.
50	532 14 52-05	Support, Dash	88	817 21 10-10	Screw, Hex Wsh. Hd. Tap. #10-16 x 5/8
51	873 68 04-00	Nut, Lock W/Insert 1/4-20 UNC	89	532 10 47-55	"J. Fastener
56	872 14 06-06	Bolt, RdHd. Sqnk 3/8-16 UNC x 3/4	90	734 11 54-41	Washer 9/32 x 3/4 x 16 Ga.
59	532 11 04-36	Bushing, Snap Split Blk	91	873 22 04-00	Nut, Hex 1/4-20
63	532 12 12-36	Spacer Split .391 x 1.25	92	810 04 04-00	Washer, Lock 1/4
			96	873 80 05-00	Nut, Lock 5/16-18 UNC
			96	873 80 05-00	Nut, Lock Hx W/Ins. 5/16-18 UNC
			101	874 78 05-12	Bolt, Fin Hex 5/16-18 UNC x 3/4
			102	532 00 27-51	Clip, Line Fuel 13/32 Mtg. Hole
			--	532 00 54-79	Plug, Button

NOTE: All component dimensions given in U. S. inches.
1 inch = 25,4 mm

REPAIR PARTS

DRIVE



REPAIR PARTS

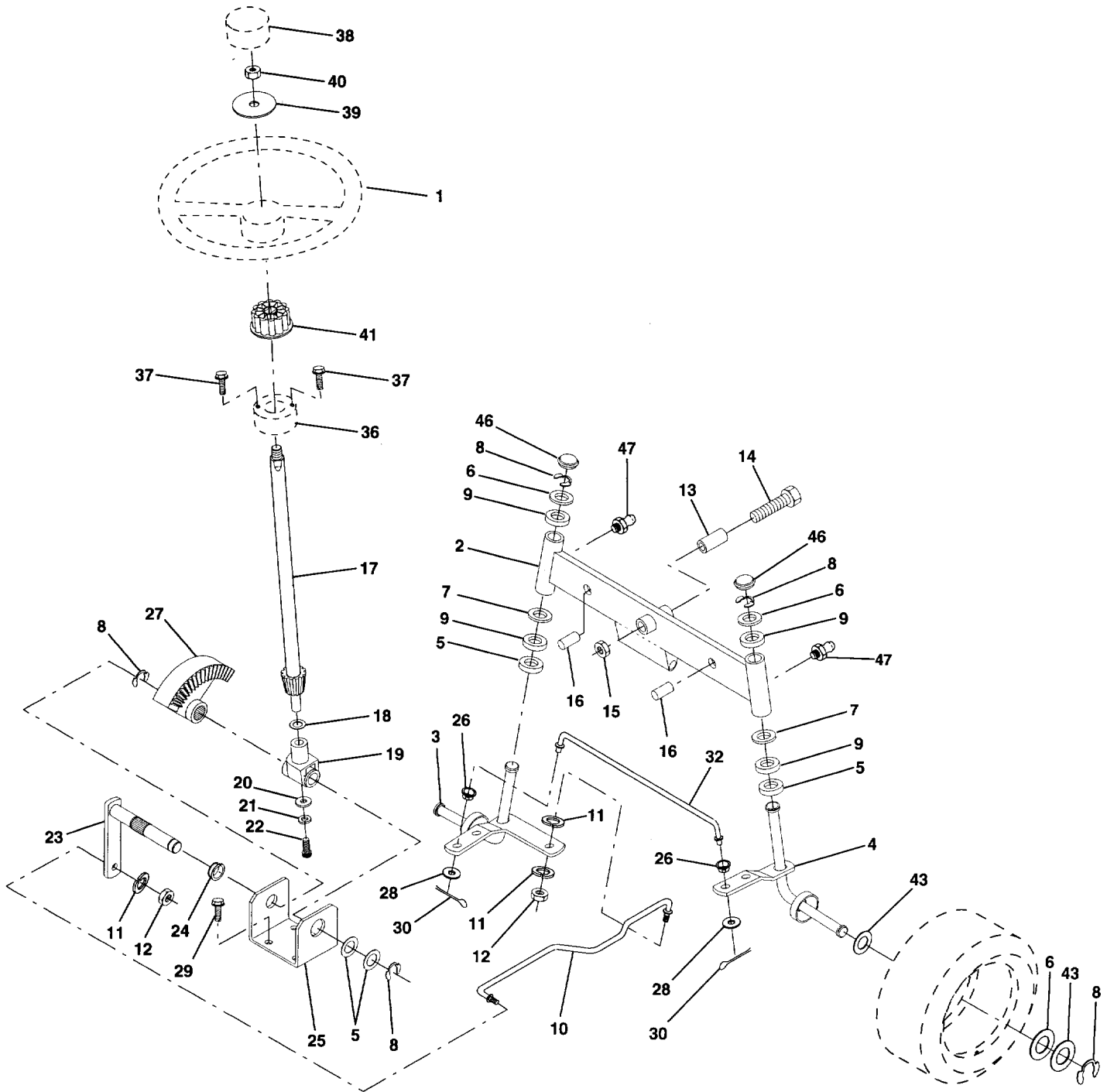
DRIVE

KEY NO.	PART NO.	DESCRIPTION	KEY NO.	PART NO.	DESCRIPTION
1	532 12 70-51	Transaxle 6sp 930-010 Peerless	48	532 12 37-89	Bellcrank Asm Clutch
2	532 11 04-22	Spring ReturnBrakeT/aZinc	49	532 12 32-05	RetainerBeltStyleSpring
3	532 12 36-66	Pulley Transaxle 18~tires	50	874 78 06-24	Bolt Hex Hd 3/8-16 UNC x 1-1/2
4	532 00 22-67	Ring Retainer#5100-62	51	873 68 06-00	NutCrownlock3/8-16 UNC
5	532 12 15-20	Strap Torque 30 Degrees	52	873 68 05-00	Nut Crownlock 5/16-18
6	874 78 05-12	Screw Thdrol 5/16-18 x 3/4 TYT	53	532 10 57-10	Link Clutch 7 66
8	532 14 10-03	Rod Shifter Fender Lt	55	532 10 57-09	Spring Return Clutch 6 75
10	876 02 04-16	Pin Cotter 1/8 x 1 Cad	56	874 78 06-20	Bolt Fin Hex 3/8-16 x 1-1/4
11	532 10 57-01	Washer Plate Shf 388 Sq Hole	57	532 13 82-55	V-Belt Ground Drive
12	734 11 54-41	Washer 9/32 x 3/4 x 10 Ga.	59	532 14 03-12	Keeper Belt Centerspan
13	871 04 04-12	Bolt 1/4-28unf Gr8 w/Patch	61	874 78 06-12	Screw Thdrol 3/8-16 x 3/4 Ty-tt
14	810 04 04-00	Washer Lock Hvy Helical 1/4	62	532 12 48-72	Cover Pedal Blk Round
15	874 78 05-44	Bolt Fin Hex 5/16-18 x 2-3/4	63	532 14 01-86	Engine Pulley LT/YT
17	532 12 72-85	StrapTorqueLt	64	871 17 07-64	BoltHex7/16-20x4Gr5
18	874 78 06-12	Bolt Fin Hex 3/8-16uncx 3/4	65	810 04 07-00	Washer Lock Hvy. Hlcl. Spr. 7/16
19	873 68 06-00	Nut Crownlock 3/8-16 UNC	66	532 12 99-21	Keeper Belt Engine L.H. LT
21	532 12 12-74	Knob Duckhead 1/2-13 UNC	70	532 13 46-83	Guide Belt Mower Drive R.H.
22	532 13 08-04	RodBrakeBlkZinc26 840	72	734 11 74-41	Washer13/32x1-1/4x12Ga.
24	873 22 06-00	NutHexJam3/8-16UNC	74	532 13 70-57	SpacerAxle
25	532 10 68-88	Spring Rod Brake2 00Zinc	75	532 12 17-49	Washer25/32x 1 1/4x 16 Ga.
26	734 11 72-01	Washer 13/32 x 13/16 x 16 Ga.	76	812 00 00-01	E-ring #5133-75
27	876 02 04-12	Pin Cotter 1/8 x 3/4 Cad	77	532 12 35-83	Key Square 2 0 x 1845/1865
28	532 13 32-61	RodBrakeParkingYT	78	532 12 17-48	Washer25/32x1-5/8x16Ga.
29	532 07 16-73	Cap Brake Parking Biack	79	532 12 50-96	Key Woodruff#9
30	532 13 08-07	BracketMtgTransaxle	80	532 13 14-86	Arm ShiftTransaxle
31	532 12 72-75	KeeperBeltL.H.LT14Ga.	81	532 13 69-32	ShaftAsmCross18"t42"deck
32	874 78 05-12	Bolt Hex Hd 5/16-18 UNC x 3/4	82	532 12 37-82	Spring Torsion T/a
34	532 12 24-24	Shaft Asm Pedal Foot 1 930	83	734 11 77-71	Washer 17/32 x 3/4 x 16 Ga.
35	532 12 01-83	Bearing Nylon Blk629 Id	84	532 12 37-93	Rod LinkShiftAdj 3 710
36	734 11 85-71	Washer 21/32 x 1 x 16 Ga.	85	873 61 04-00	Nut, Nylock 1 /4-28
37	532 00 28-82	Pin Roll 3/16 x 1"	86	532 07 12-08	Bushing Rod Strg 629/632 Id
38	532 12 36-74	PulleyidlerFlat	87	734 11 85-71	Washer21/32x1-1/4x16Ga.
39	874 76 06-44	Bolt Fin Hex 3/8-16 UNC x 2-3/4	88	812 00 00-08	Ring Klip #5304-62
40	532 00 44-70	Spacer Split 395 x 59 Bzp	89	532 13 99-64	Console Shift 6sp w/lgn.
41	532 10 90-70	Keeper Belt Retainer	90	532 12 43-46	Nut Self-thd Wsh-hd 1/4 Zinc
42	734 11 72-01	Washer 13/3~!rx 13/16 x 12 Ga.	96	532 12 47-88	Retainert Spring
44	532 10 57-06	Bearing Nyl 503 x 628 x 1 25	100	734 11 63-01	Washer 11/32 x 3/4 x 16 Ga.
45	532 11 08-12	WasherHardened	113	532 12 72-85	StrapTorqueL.H.
46	812 00 00-39	Ring Klip #5304-50			
47	532 12 77-83	Pulley Idler V Groove Plastic			

NOTE: All component dimensions given in U.S. inches.
1 inch = 25,4 mm.

REPAIR PARTS

STEERING ASSEMBLY



REPAIR PARTS

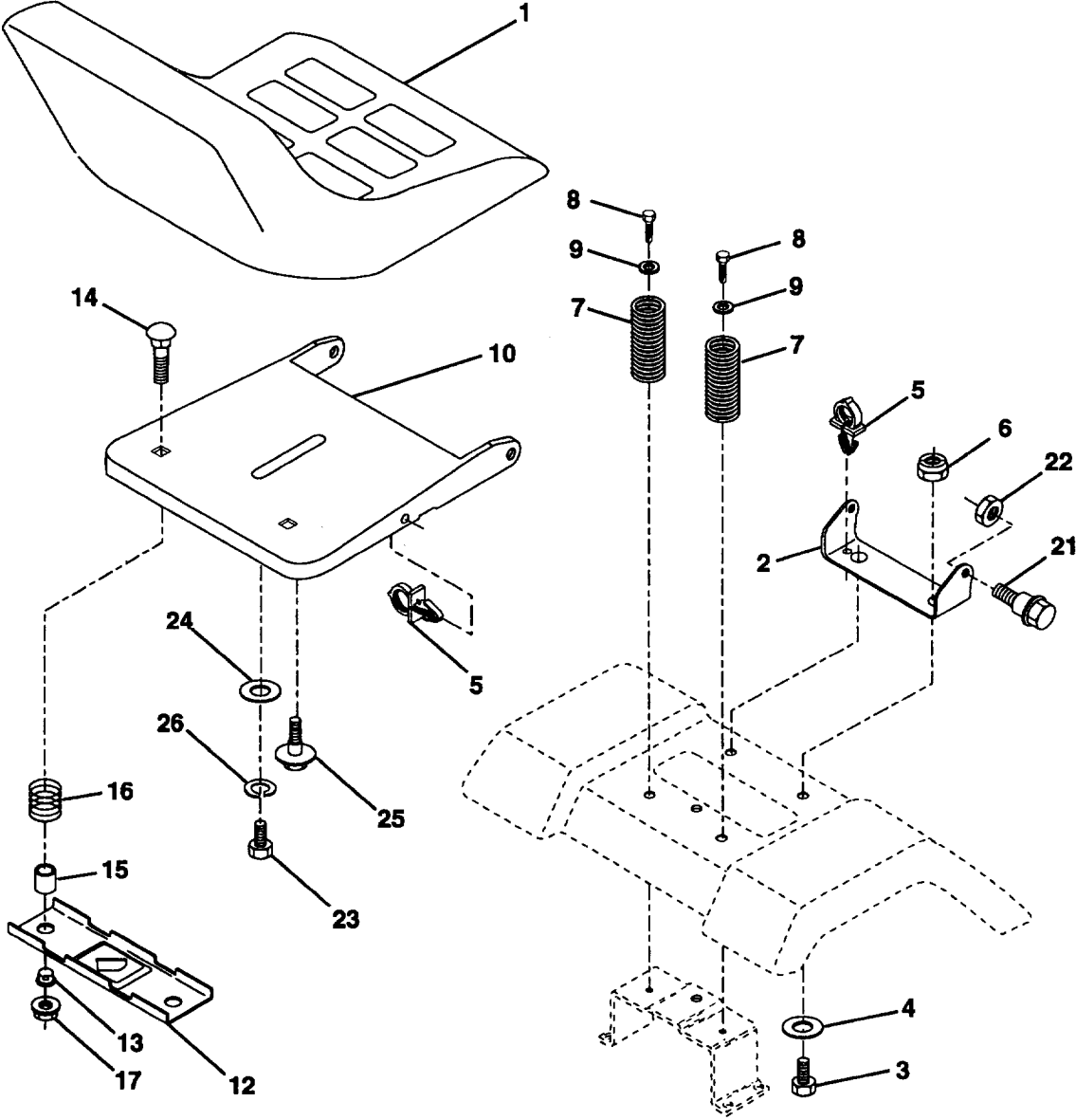
STEERING ASSEMBLY

KEY NO.	PART NO.	DESCRIPTION
1	532 13 97-68	Wheel Steering
2	532 14 20-33	Axle Asm Fr LT
3	532 13 52-27	Spindle Asm L.H.
4	532 13 52-28	Spindle Asm R.H.
5	532 00 62-66	Bearing Race Thrust Harden
6	532 12 17-48	Washer 25/32x 1-5/8x 16Ga.
7	819 27 20-16	Washer 27/32 x 1-1/4 x 16 Ga.
8	812 00 00-29	Ring Klip #5304-75
9	532 00 33-66	Bearing Col Strg Blk
10	532 13 04-68	Link Drag Sol Ball Jt 20 064
11	810 04 06-00	Washer Lock Hvy Hlcl Spr 3/8
12	873 61 06-00	Nut Fin Hex 3/8-24 Unf
13	532 11 04-38	Bushing
14	874 01 10-56	Bolt
15	873 68 10-00	Nut Lock Flange 5/8-11 UNC
16	532 13 26-24	Pin Axle 5/8 x 1 55/1 54 Lg
17	532 12 87-58	ShaftAsm Strg 18 31 x 3/4 Yp Lt
18	532 05 70-79	Washer Thrust 515 x 750 x 033
19	532 12 40-35	Support Shaft
20	532 12 66-84	Washer Shim 1/4 x 5/8 x 062
21	810 04 04-00	Washer Lock Hvy Helical 1/4
22	871 07 04-10	Screw Hex Socket 1/4-20 x 5/8
23	532 12 75-01	ShaftAsm Pittman
24	532 10 98-16	NylinerSnap In
25	532 12 40-36	Bracket Steering
26	532 12 68-47	Bushing Link Drag Blk LR
27	532 13 68-74	Gear Sector 22 Teeth
28	734 11 72-01	Washer 13/32 x 7/8 x 16 Ga.
29	874 78 06-12	Screw Thdrol 3/8-16 x 3/4 Ty-tt
30	876 02 04-12	Pin Cotter 1/8 x 3/4 Cad
32	532 13 04-65	Rod Tie Wire Form 19 75 Mech
36	532 12 47-20	Bushing Strg
37	817 21 10-08	Screw Slftp#10-16 x 1/2 Ty-b
38	532 14 01-75	Cap Whel Steer
39	532 10 07-12	Washer.53 x 2.25 x .160
40	873 61 08-00	Nut, Hex, Jam, Toplock 1/2-20unf
41	532 10 07-11	Adaptor Wheel Strg .7581/.7531D
43	532 12 17-49	Washer 25/32 x 1 1/4 x 16 Ga.
46	532 12 12-32	Cap Spindle Fr Top Blk
47	532 12 48-36	Fitting Grease

NOTE: All component dimensions given in U.S. inches.
1 inch = 25,4 mm

REPAIR PARTS

SEAT ASSEMBLY



REPAIR PARTS

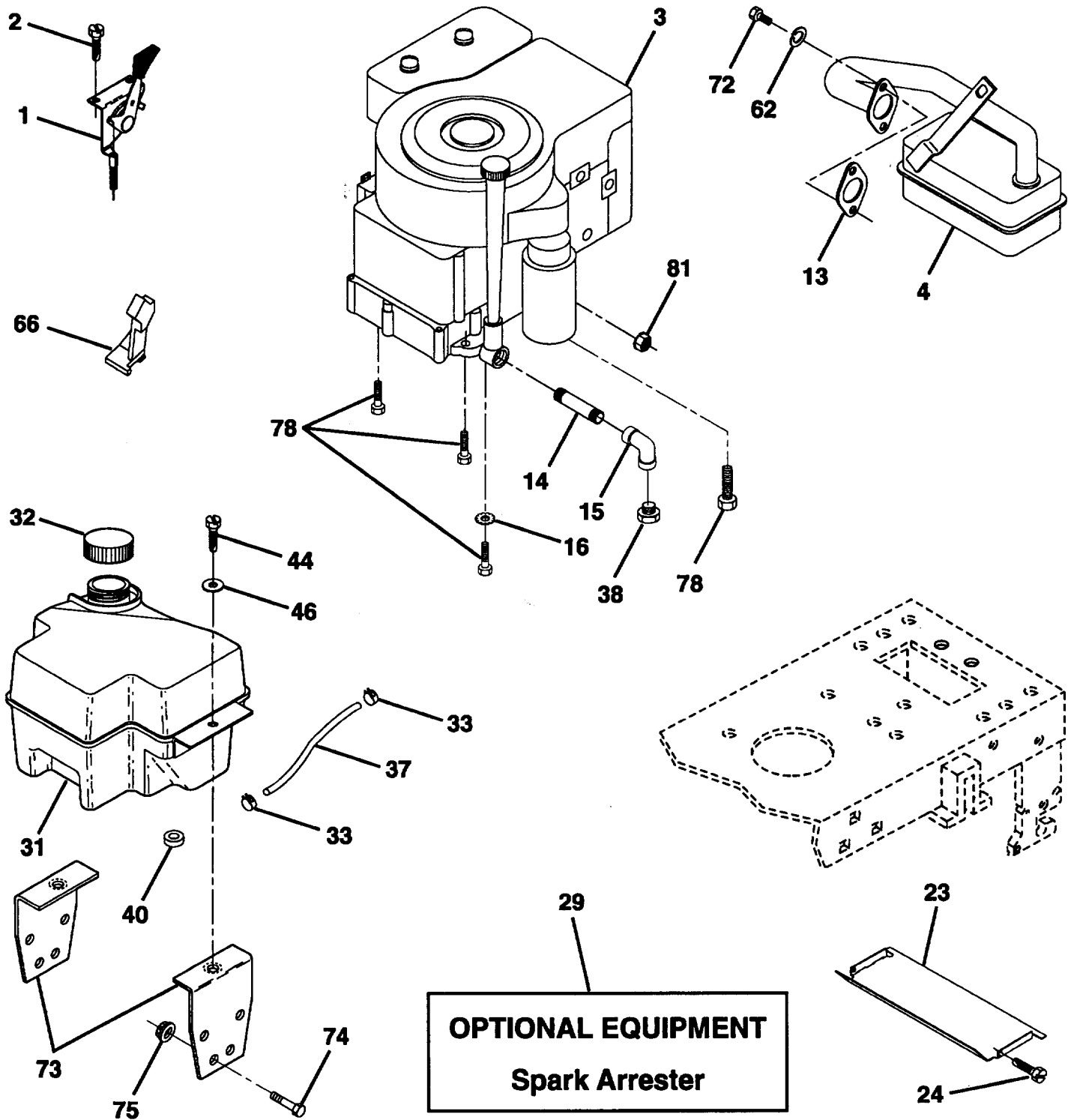
SEAT ASSEMBLY

KEY NO.	PART NO.	DESCRIPTION
1	532 12 74-29	Seat
2	532 14 05-51	Bracket Pivot Seat 8 720
3	874 78 06-16	Bolt Hex 3/8-16 UNC X 1
4	819 13 16-10	Washer 13/32 x 1 x 10 Ga.
5	532 14 50-06	Clip Push-In Hinged
6	873 68 06-00	Nut Lock Hex w/Ins. 3/8-16 UNC
7	532 12 41-81	Spring Seat Cprsn 2 250 Blk Zi
8	874 78 06-16	Screw Thdrol 3/8-16 x 1 Ty-tt
9	819 13 16-14	Washer 12/32 x 1 x 14 Ga.
10	532 14 05-52	Pan Seat
12	532 12 12-46	Bracket Mounting Switch
13	532 12 12-48	Bushing Snap Blk Nyl 50 Id
14	872 05 04-11	Bolt Rdhd Sht Nk 1/4-20x1-3/8
15	532 12 12-49	Spacer Split 28x88 Zinc
16	532 12 37-40	Spring Cprsn 1 310 BlkPnt
17	873 68 04-00	Nut Lock 1/4 Lge Flg Gr 5 Zinc
21	532 13 98-88	BoltShoulder5/16-18 UNC Blkz
22	873 68 05-00	Nut Crown Lock 5/16-18
23	874 78 08-14	Bolt, Hex 1/2-13 x 7/8
24	819 17 19-12	Washer 17/32 x 1-3/16 x 12 Ga.
25	532 12 70-18	Bolt Shoulder 5/16-18 x 62
26	810 04 08-00	Washer Lock Hvy Hlcl Spr 1/2

NOTE. All component dimensions given in U.S. inches.
1 inch = 25.4 mm.

REPAIR PARTS

ENGINE



REPAIR PARTS

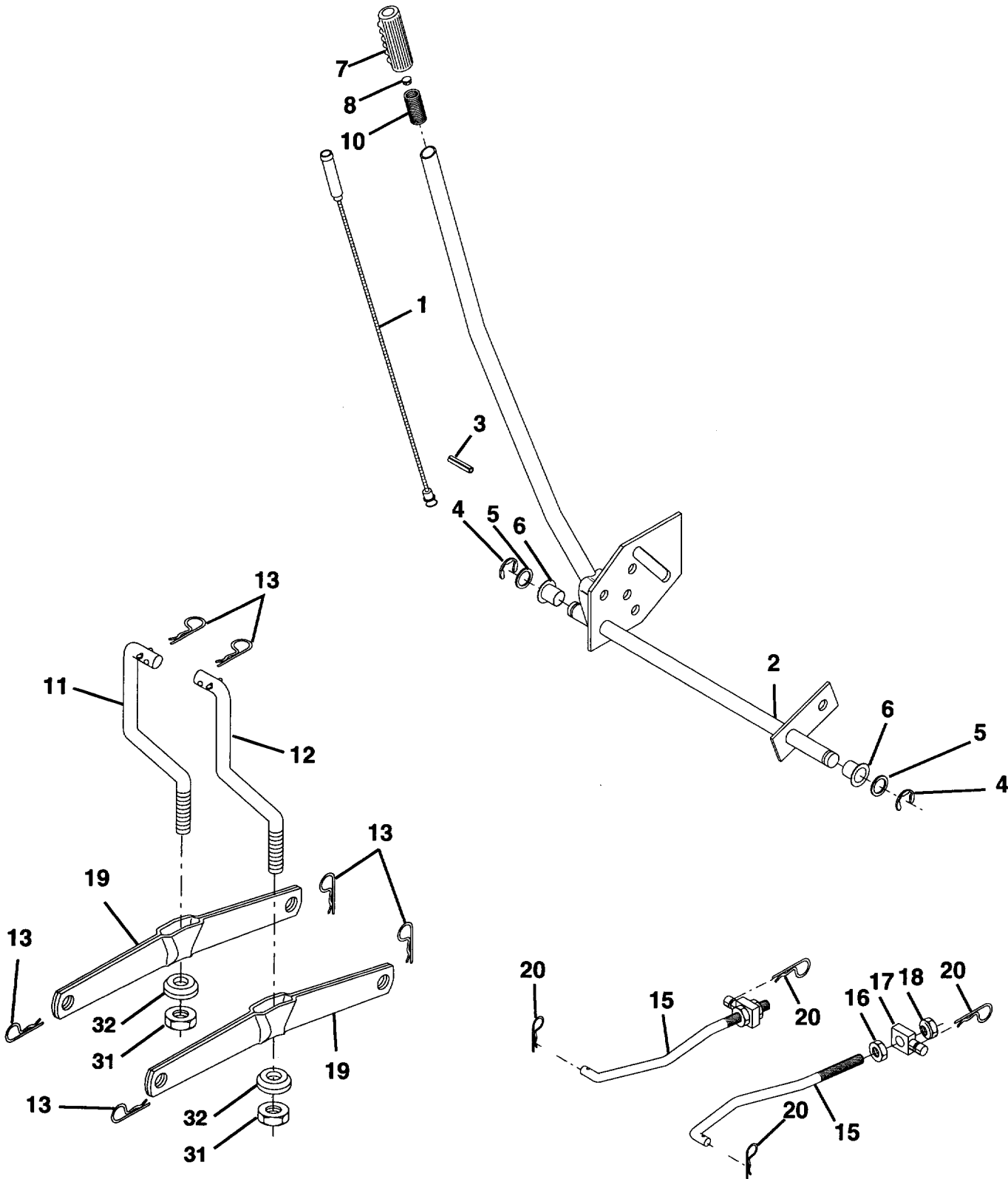
ENGINE

KEY NO.	PART NO.	DESCRIPTION
1	532 13 27-50	Control Th/ch R.H. Blk
2	874 78 04-10	Screw Hex Thd Cut 1/4-20 x 5/8 T
3	-----	Engine B&S 14HP Icq Dual 1 Vt, Model No. 287707
4	532 13 73-52	Muffler LT B&S 14HP Ic/ohv
13	532 12 55-93	Gasket Eng 1 313 Id Tin Plated
14	813 28 03-24	Nipple Pipe 3/8 Nptx 3"
15	813 20 03-00	Elbow Std 90 Degree 3/8-18 Npt
16	810 04 06-00	Washer Lock Ext Tooth 3/8
23	532 12 89-53	Shield Heat Browning LT/YT
24	817 02 10-08	Screw Tap Hex #10-24 UNC x 1/2
29	532 13 71-80	Kit Spark Arrestor
31	532 14 02-80	Tank Fuel Front 200
32	532 14 05-27	Cap Asm Fuel Top Vented N/Lang
33	532 12 34-87	Clamp Hose Black
37	532 00 85-48	Line Fuel 9.5"
38	-----	Plug Oil Drain (Order From Engine Manufacturer)
40	532 11 04-36	Bushing Snap Nyl Blk Fuel Line
44	874 76 04-12	Screw Thdrol 1/4-20 x 3/4
46	819 09 14-16	Washer 9/32 x 7/8 x 16 Ga.
62	810 04 05-00	Washer Lock Hvy Hlcl Spr 5/16
66	532 12 79-51	Stop Throttle
72	871 07 05-12	Screw Hexhd Cap 5/16-18 x 3/4
73	532 14 02-82	Bracket Support Tank Fuel
74	874 78 06-16	Bolt Fin Hex 3/8-16 UNC x 1 Ga.
75	873 68 06-00	Nut, Lock HrxW/Wsh 3/8-16 UNC
78	874 78 06-20	Screw Thdrol 3/8-16 x 1-1/4 TYTT
81	873 68 04-00	Nut keDs hex 1/4-20 UNC

NOTE: All component dimensions given in U.S. inches.
1 inch = 25.4 mm

REPAIR PARTS

MOWER LIFT



REPAIR PARTS

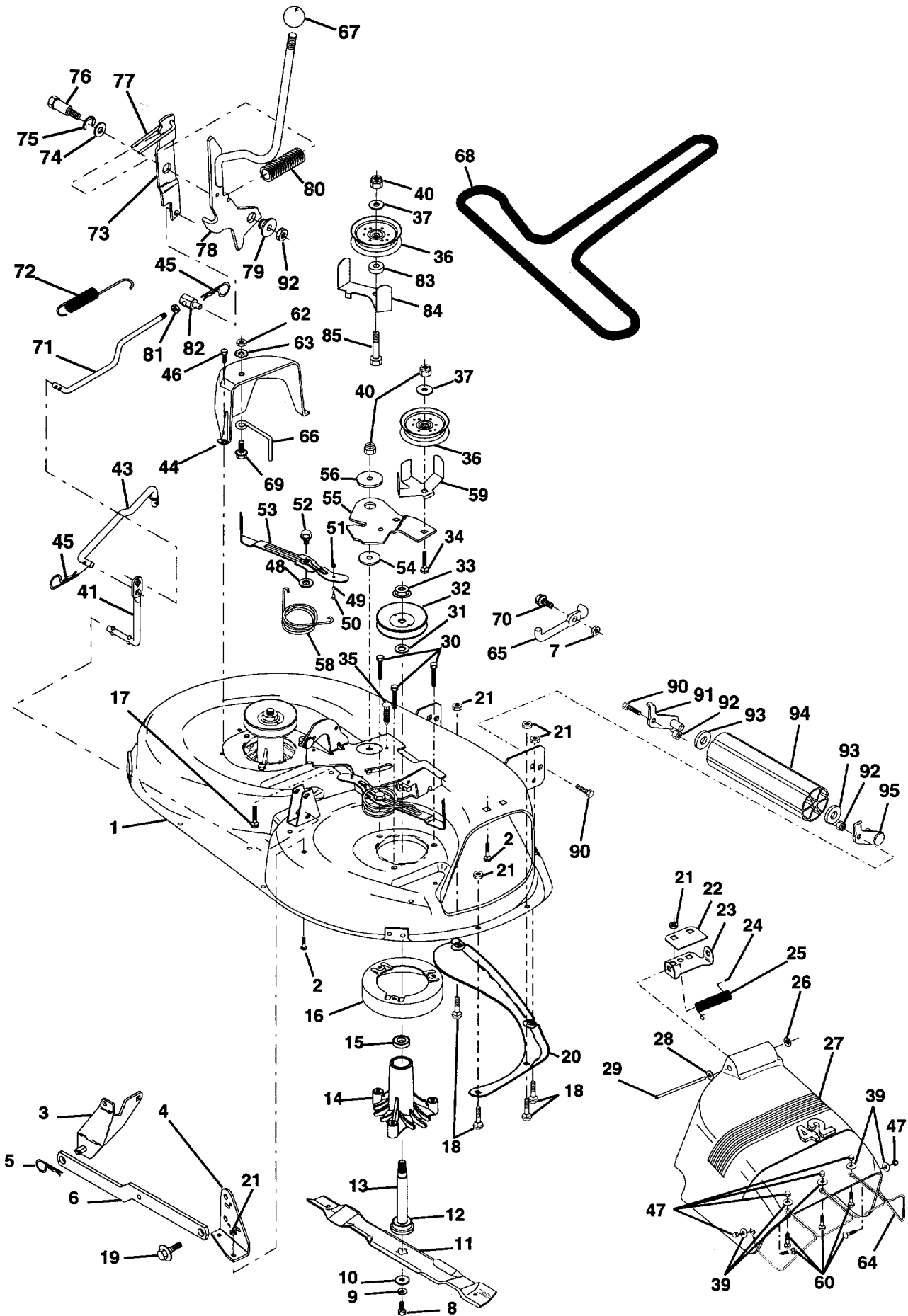
MOWER LIFT

KEY NO.	PART NO.	DESCRIPTION
1	532 13 69-73	Wire Asm InnerW/plunger 17 32
2	532 13 71-11	Shaft Asm Lift
3	532 13 82-84	Pin Groove
4	812 00 00-02	E Ring #5133-62
5	819 21 14-16	Washer PLTD 21/32 x 7/8 x 16 Ga.
6	532 12 01-83	Bearing Nylon Nlk629 Id
7	532 12 56-31	Grip Handle Bicycle Matte Blk
8	532 12 59-25	Button Plunger Black
10	532 12 59-25	Spring Cprsn 3 750 Oiled
11	532 13 98-65	LinkLiftL.H. Mower
12	532 13 98-66	Link Lift R.H. Mower
13	532 08 59-02	Retainer Spring
15	532 12 72-18	Link Front
16	873 22 08-00	Nut Jam Hex 1/2-13 UNC
17	532 13 01-71	Trunnion Blk Zinc
18	873 80 08-00	Nut Lock W/wsh 1/2-13 UNC
19	532 13 98-68	Arm Suspension Rear
20	532 12 46-60	Retainer Spring
31	873 61 06-00	Nut Crownlock 3/8-24
32	532 14 03-02	Bearing Put Lift Spherical

NOTE: All component dimensiones given in U.S. inches.
1 inch = 25.4 mm

REPAIR PARTS

MOWER DECK



REPAIR PARTS

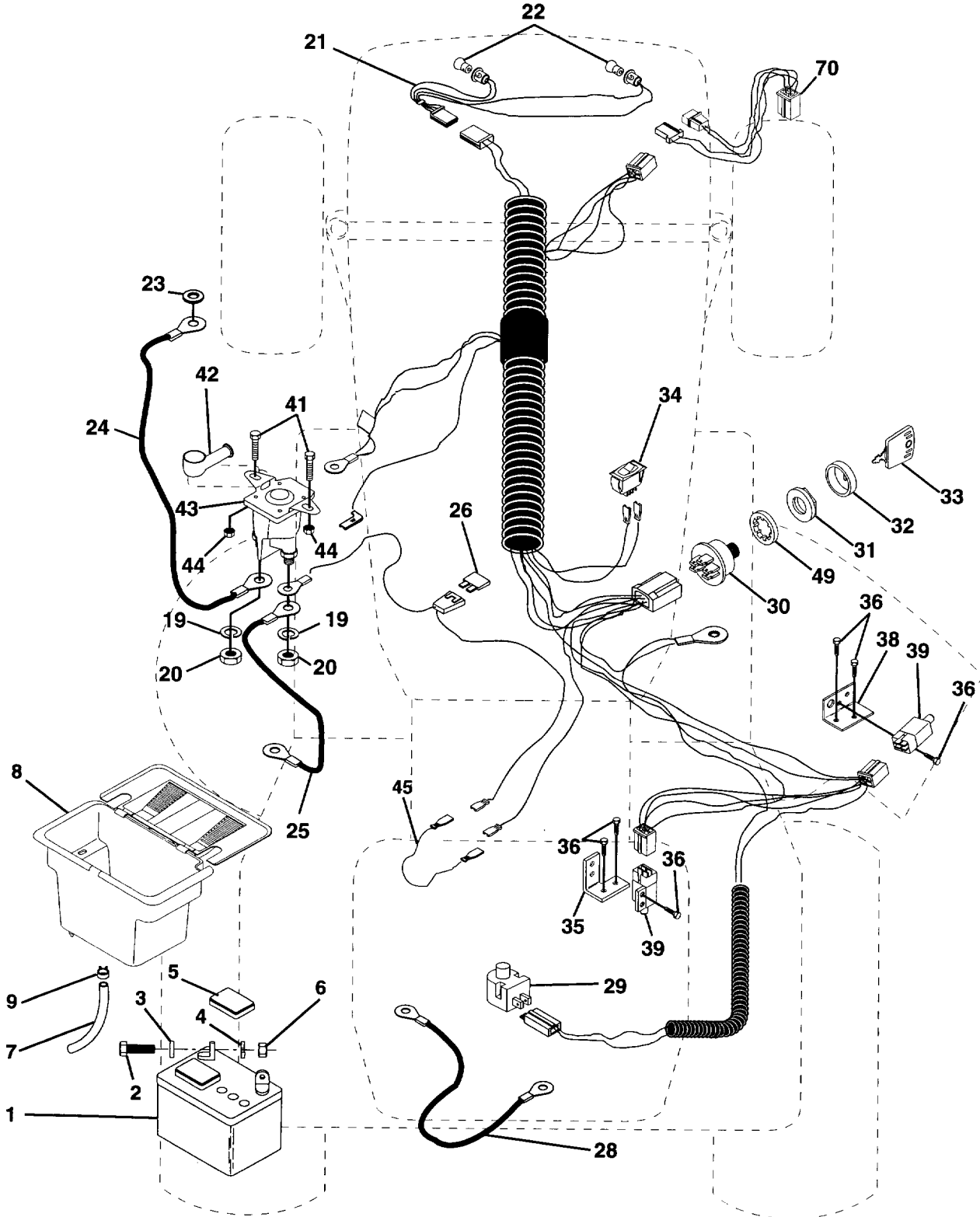
MOWER DECK

KEY NO.	PART NO.	DESCRIPTION	KEY NO.	PART NO.	DESCRIPTION
1	532 14 43-93	Mower Housing	48	532 13 39-44	Washer Hardened Smaller
2	872 14 05-06	BoltRdhdSqnk5/16-18UNCx3/4	49	532 13 39-40	Roller AsmCamFollower42ndec
3	532 13 80-17	BracketAsmFrSwayBar38/42	50	532 13 13-40	BoltShidr10-24ZincGr5 42"
4	532 13 84-40	BracketAsmDeck42"sway Bar	51	532 06 91-80	NutLock#10-24UNC
5	532 08 59-02	Retainer Spring	52	532 13 98-88	Bolt Shoulder 5/16-18 UNC Blkz
6	532 13 08-32	Arm Suspension Rear	53	532 13 18-45	Arm Asm Pad Brake
8	532 85 08-57	Bolt 3/8-24 x 1.25 Gr 8	54	532 13 39-43	Washer Hardened
9	810 04 06-00	Washer Lock Hvy 3/8	55	532 14 00-84	Arm Idler42"mower LT/YT
10	532 14 02-96	Washer Hard Blade Mower Vented	56	532 12 20-52	Spacer Retainer Pm Mower
11	532 13 84-98	Blade Mulching	58	532 14 00-86	Spring Torsion Brakes
12	532 12 98-95	Bearing Ball #6024 (Mandrel)	59	532 14 10-43	Guard RUV Idler (94)
13	532 13 76-45	Shaft Asm W/lower Bearing	60	532 14 59-89	Bolt RdHd Sqnk M5 x 0.8 x 16 mm
14	532 12 87-74	Housing Mandrel Vented	64	532 13 93-28	Deflector Clipping TUV
15	532 11 04-85	Bearing Ball Mandrel	67	532 13 20-44	Cover Handle Round Black
16	532 14 03-29	Stripper Mower Round	68	532 14 42-00	V-Belt Mower
17	872 11 06-10	BoltRdhdSqnk3/8-16x1-1/4	71	532 14 24-27	RodClutchPrimary38/42
18	872 14 05-05	Bolt Rdhd Sqnk 5/16-18 x 5/8	72	532 13 18-70	Spring Return
19	532 13 28-27	Bolt Shoulder	73	532 12 78-47	Arm Clutch Secondary
20	532 13 68-88	BaffleVortex42	74	532 12 17-48	Washer25/32 x1-5/8 x16 Ga.
21	873 68 05-00	Nut Crownlock 5/16-18	75	812 00 00-29	Ring Klip #5304-75
22	532 13 47-53	Stiffener Bracket 42"deck	76	532 12 89-03	Bolt Shoulder 3/8-16 UNC 1 44
23	532 13 12-67	BracketDeflectorMower42"	77	532 12 78-45	KeeperSpring4000
24	532 10 53-04	Cap Sleeve 80 x 112 Blk Mower	78	532 14 03-35	Arm Asm Clutch Primary
25	532 12 37-13	Spring Torsion Deflector 2 52	79	532 12 74-98	Bushing 747 Od x 794 Lg Brass
26	532 11 04-52	Nut Push Phos & Oil	80	532 12 87-59	Spring Clutch Mower 2 750 Zinc
27	532 13 94-50	Shield Deflector Mower42" Blk	81	873 22 06-00	Nut Hex Jam 3/8-16
28	734 11 63-01	Washer 11/32 x 5/8 x 16 Ga.	82	532 14 20-28	Trunnion Adj.
29	532 13 14-91	Rod Hinge 42"6 75 Wlg	83	532 12 09-58	Washer Sintered
30	532 13 87-76	Screw Thdrol Hex Head Zinc Mower	84	532 14 43-94	Keeper Belt Idler Fixed
31	532 12 99-63	Washer Spacer Mower Vented	85	872 14 06-20	Bolt RdHd Sqnk 3/8-16 x 2-1/2
32	532 12 98-61	Pulley Mandrel 42"	90	874 78 06-16	Bolt Hex 3/8-16 x 1
33	532 13 72-66	Nut9/16ToplockFIngOilDip	91	532 13 22-74	BracketAsm.NoserollerLH
34	872 11 06-14	Bolt Rdhd 3/8-16 UNC x 1-3/4 Gr. 5	92	873 68 06-00	Nut Crownlock 3/8-16
35	532 13 38-35	Fastner Christmas Tree	93	819 17 14-16	Washer 17/32 x 7/8 x 16 Ga.
36	532 13 14-94	Pulley Idler Flat 3 060	94	532 13 22-64	Roller Nose
37	734 11 72-01	Washer13/32x13/16x16Ga.	95	532 13 22-73	BracketAsm.NoserollerR.H.
39	532 14 65-70	Washer M5 DIN 125A BN713	--	532 13 07-94	Mandrel Asm Service (Includes Key Nos. 8-10, 12-15, 31 and 33)
40	873 68 06-00	Nut Crownlock 3/8-16 UNC			
41	532 13 35-51	Rod Pivot W/nibs			
43	532 14 00-83	Rod Clutch Secondary W/nibs			
44	532 14 00-88	Guard Mandrel L.H. Black			
45	532 12 47-88	Spring Retainer 1" Zinc/cad			
46	532 13 77-29	Screw Thdrol 1/4-20 x 5/8			
47	532 14 59-90	Nut Acorn M5 x 0.8			

NOTE: All component dimensions given in U.S. inches.
1 inch = 25.4 mm

REPAIR PARTS

ELECTRICAL



REPAIR PARTS

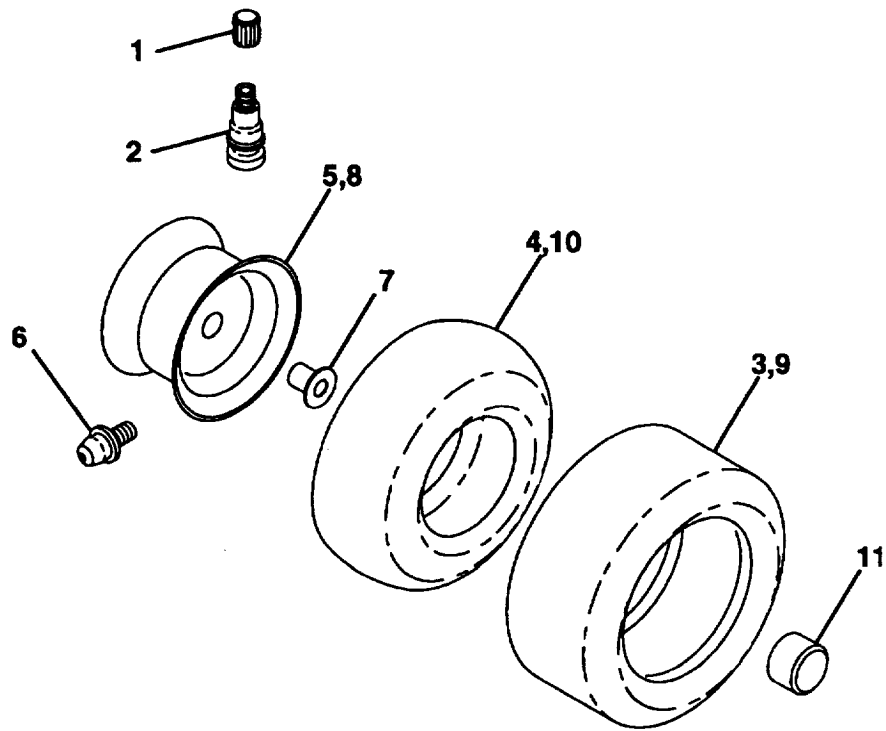
ELECTRICAL

KEY NO.	PART NO.	DESCRIPTION
1	506 78 88-01	Battery 12 VOLTS 25 AMP
2	874 76 04-12	Bolt Hex Hd 1/4-20 UNC x 3/4
3	734 11 53-01	Washer 9/32 x 5/8 x 16 Ga.
4	810 04 04-00	Washer Lock Hvy Helical 1/4
5	532 12 12-64	Caps Battery 20/25/30 AMP
6	873 22 04-00	Nut Fin Hex 1/4-20 UNC
7	532 10 92-38	Tube Plastic 12H
8	532 12 99-65	Case Battery w/ Lid
9	532 10 95-96	Clamp Hose Olive
19	810 04 04-00	Washer Lock 1/4
20	873 22 04-00	Nut Jam Hex 1/4-20 UNC
21	532 13 68-50	Harness Asm Light W/4152J
22	532 00 41-52	Bulb Light#1156
23	810 04 04-00	Washer Lock Internal Tooth 1/4
24	532 12 50-99	Cable Battery 6 Ga 22"red
25	532 13 22-02	Cable Battery 6 Ga 43"red
26	532 10 88-24	Fuse 30 AMP Auto Green
28	532 12 47-73	Cable Ground 6 Ga 12"black
29	532 12 13-05	Switch Plunger Nc Gray
30	532 14 49-21	Switch Ignition 3 Pos
31	532 14 04-00	Nut Ignition
32	532 14 12-26	Cover Sw Key Blk 1 25 Text SL T
33	532 14 04-01	Key Ign Molded Generic
34	532 11 07-12	Switch Light Blk Blk Red
35	532 10 82-36	Bracket Switch Clutch
36	817 02 10-08	Screw Tap Hex #10-24 UNC x 1/2
38	532 14 03-36	Bracket Switch Interlock
39	532 10 95-53	Switch Intik Clutch Gry 4 Term
41	874 78 04-08	Bolt Hex Hd. Fin 1/4-20 x 1/2 Gr 5
42	532 13 15-63	Cover Terminal Red
43	532 10 99-46	Solenoid
44	873 68 04-00	Nut Keps Hex 1/4-20 UNC
45	532 14 08-44	Adapter Ammeter Rectangular
49	811 15 10-00	Washer Lock Int. Tooth 5/8
70	532 14 04-22	Harness Engine 14 OHV Dual

NOTE: All component dimensions given in U.S. inches.
1 inch = 25.4 mm

REPAIR PARTS

WHEELS & TIRES



KEY PART NO.	PART NO.	DESCRIPTION
1	532 05 91-92	Cap Valve Tire
2	532 06 51-39	Stem Valve
3	533 30 11-40	Tire F Ts 15 x 6 0 - 6 Service
4	532 05 99-04	Tube Front (Service Item Only)
5	532 13 83-36	Rim Asm 6"front Silver Service
6	532 00 02-78	Fitting Grease (Front Wheel Only)
7	532 00 90-40	Bearing Flange (Front Wheel Only)
8	532 13 83-37	Rim Asm 8"rear Silver Service
9	532 12 20-74	Tire R Ts 18 x 9 5-8 C Service
10	532 00 71-52	Tube Rear (Service Item Only)
11	532 10 47-57	Cap Axle Blk 1 50 x 1 00

NOTE: All component dimensions given in U.S. inches.
1 inch = 25.4 mm