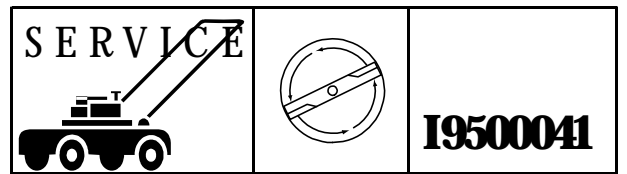


Jonsered



IPL, YTH16 42" , 1995-01

YTH16 42"

Spare parts

Ersatzteile

Pièces détachées

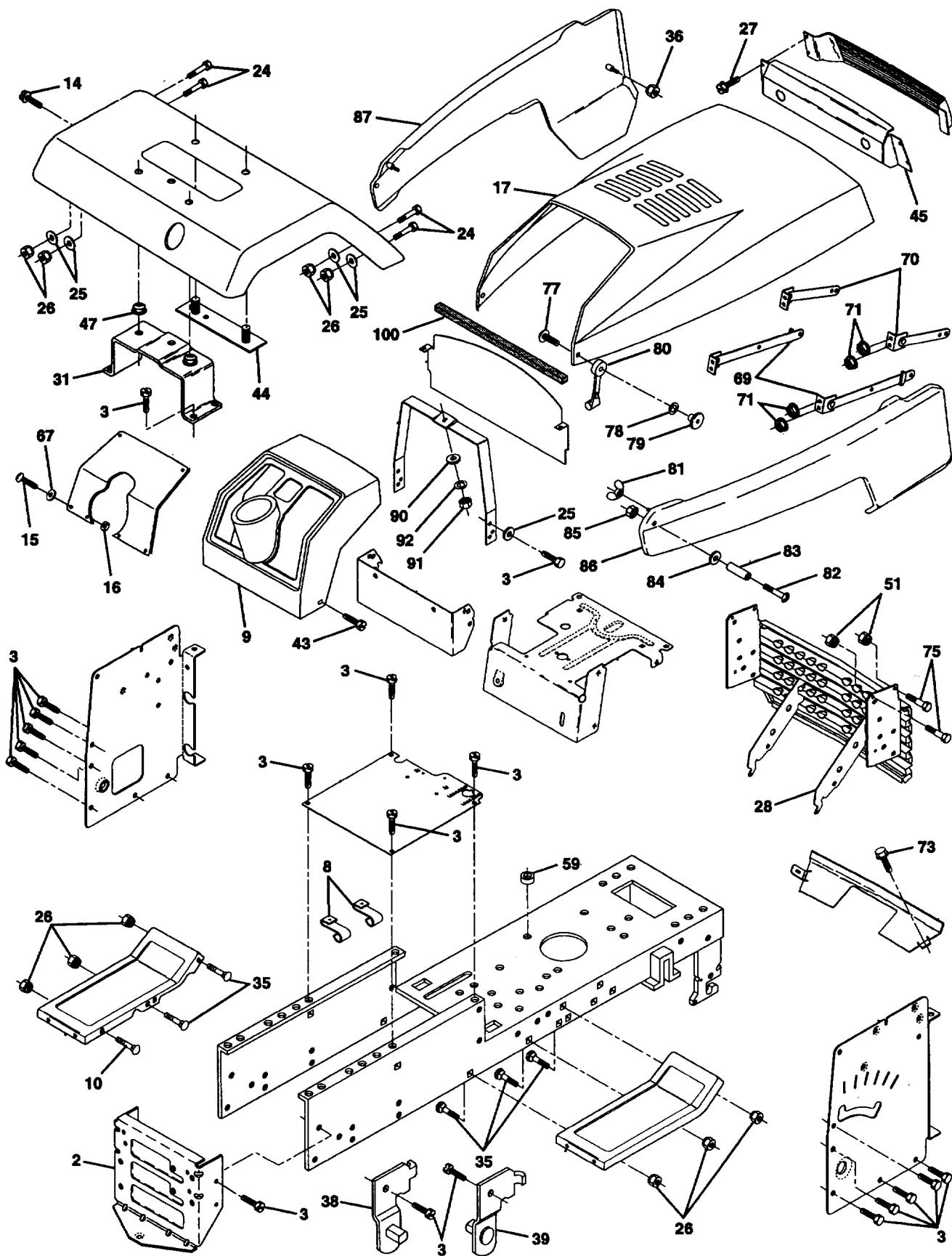
Reserve onderdelen

Repuestos

Reservdelar

REPAIR PARTS

ENCLOSURES



REPAIR PARTS

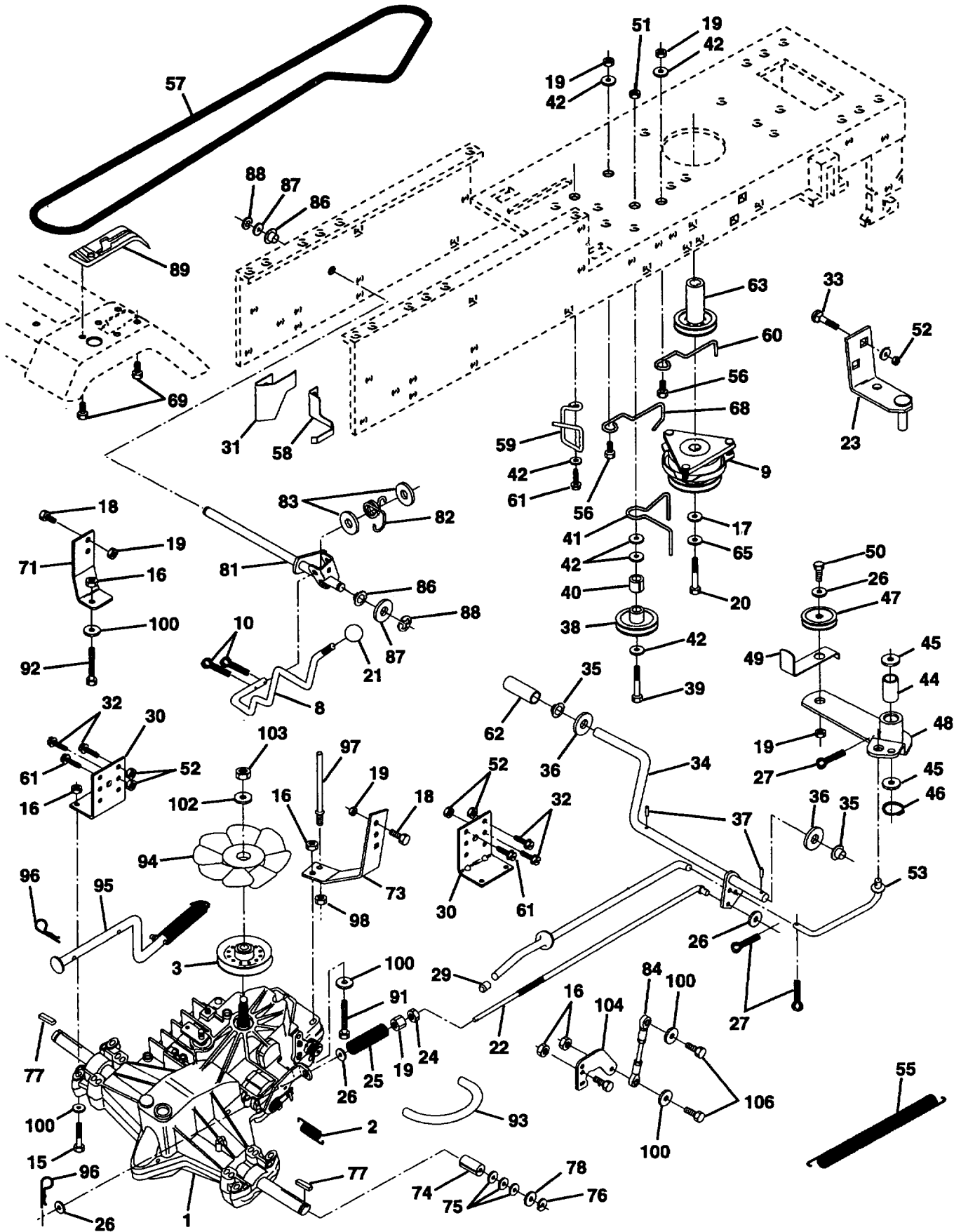
ENCLOSURES

KEY NO.	PART NO.	DESCRIPTION	KEY NO.	PART NO.	DESCRIPTION
2	532 14 03-56	Drawbar	51	873 68 04-00	Nut, Crownlock 1/4-20
3	874 78 06-12	Screw, Hex Washer Head, Thread Rolling 3/8-16 x 2/4 Type TT	59	532 11 04-36	Bushing Snap Split
8	532 12 64-71	Clip, insulator	67	734 11 63-01	Washer 11/32 x 11/16 x 16 Ga.
9	532 14 03-98	Dashboard	69	532 10 67-84	Assembly, Strap, Hinge, Rear
10	872 11 06-08	Bolt, Carriage 3/8-16x1	70	532 10 46-18	Assembly, Strap, Hinge, Front
14	817 49 06-08	Screw, Hex Washer Head, Thread Forming 3/8-16 x 1/2 Type TT	71	873 68 04-00	NutKepsBlkHex1/4-20UNC
15	874 18 05-12	Screw, Truss Head 5/16-18 x 3/4	73	874 78 04-08	Screw Tap Tite 1/4-20 x 1/2
16	873 68 05-00	Nut, Keps 5/16-18	75	533 30 40-86	Bolt, Shoulder 1/4-20
17	532 14 45-45	Hood	77	532 04 19-45	Screw, Cross Recess Pan Head Machine #10-24 x 1/2
24	874 78 06-16	Bolt, Hex 3/8-16x 1 Gr. 5	78	810 07 10-00	Washer, Lock #10
25	734 11 72-01	Washer 13/32 x 13/16 x 3/4	79	532 00 20-29	Nut, Weld
26	873 68 06-00	Nut, Lock Hex W/Ins.	80	532 10 98-08	Latch, Hood
27	817 03 08-14	Screw Lock Spider	81	532 12 31-98	Nut, Wing 14-20
28	532 13 17-16	Assembly, Grill	82	874 98 10-20	Screw, Machine Cross Recess #10-24 x 1-1/4
31	532 13 71-13	Assembly, Bracket, Fender	83	532 00 72-06	Spacer, Split 10 x 3/4
35	872 11 06-06	Bolt, Carriage 3/8-16 x 3/4	84	734 11 46-01	Washer 7/32 x 1/2 x 18 Ga.
36	532 10 80-67	Nut Pal	85	873 27 10-00	Nut, Keps 10-24
38	532 13 98-86	Bracket, Asm. Pivot L.H., Mower, Rear	86	532 14 45-47	Panel, Side, R.H.
39	532 13 98-87	Bracket, Asm. Pivot R.H., Mower, Rear	87	532 14 45-48	Panel, m Side, L.H.
44	532 14 06-75	Strap Asm Fender	90	734 11 54-41	Washer 9/32x3/4 x16 Ga.
45	532 12 43-92	Assembly, Bezel	91	873 22 04-00	Nut, Hex 1/4-20
47	532 10 55-31	Nut Push Nylon	92	810 04 04-00	Washer, Lock 1/4
			100	532 10 50-37	Strip Foam 18"
			- -	532 12 17-94	Cover Access

NOTE: All component dimensions given in U.S. inches.
1 inch = 25.4 mm

REPAIR PARTS

DRIVE



REPAIR PARTS

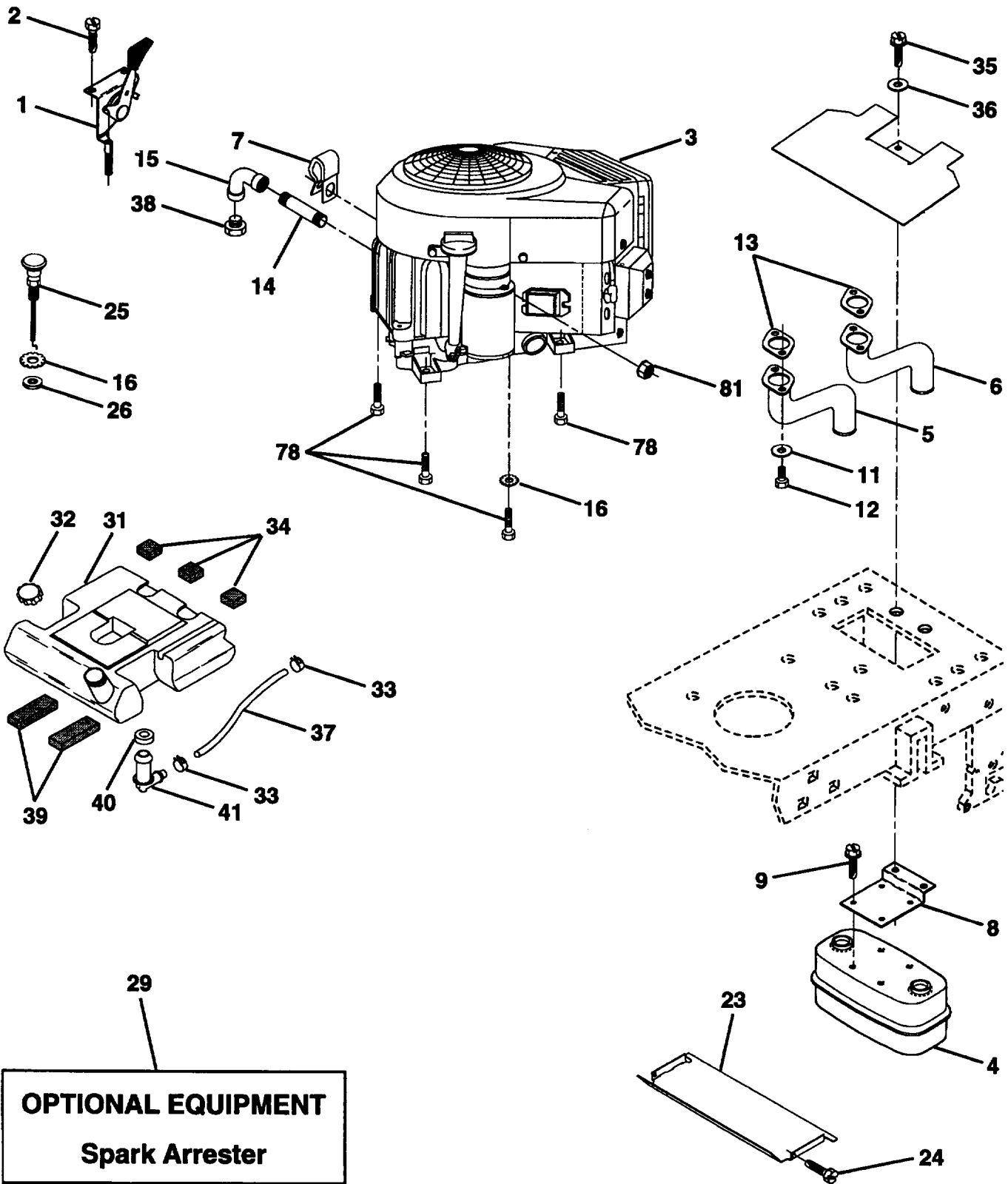
DRIVE

KEY NO.	PART NO.	DESCRIPTION	KEY NO.	PART NO.	DESCRIPTION
1	532 14 44-36	Transaxle Assembly	53	532 10 57-10	Link, Clutch
2	532 14 24-31	Spring, Return, Brake	55	532 10 57-09	Spring, Return, Clutch
3	532 14 39-95	Pulley, Transaxle	57	532 14 02-94	V-Belt, Ground Drive
8	532 14 10-02	Rod Shift Hydro LT	58	532 14 04-70	Keeper Belt L.H. Hydro 0750.18/20"
9	532 13 71-40	Clutch Electric	59	532 14 03-12	Keeper, Center Span
10	876 02 04-16	Pin Cotter 1/8 x 1 CAD	60	532 12 12-18	Keeper Belt Engine
15	874 78 05-44	Bolt Fin Hex 5/16-18 UNC	61	874 78 06-12	Screw Thdrol. 3/8-16 x 3/4 Ty. TT
16	873 80 05-00	Nut Lock Hex W/Ins. 5/16-18 UNC P	62	532 12 48-72	Cover, Pedal
17	532 12 61-97	Washer 1-1/2 OD x 15/32 ID x .250	63	532 14 01-89	Pulley, Engine
18	874 78 06-16	Bolt Fin Hex 3/8-16 UNC x 1 Gr. 5	65	810 04 07-00	Washer
19	873 68 06-00	Nut Lock Hex W/Wsh 3/8-16 UNC	67	874 78 06-16	Bolt
20	871 17 07-68	Bolt,Hex7/16-20 x4-1/4 Ga.5	68	532 10 57-30	KeeperBeltEngine
21	532 14 08-45	Knob Deluxe 1/2-13 UNC BLK/BLK	69	532 14 24-32	Screw
22	532 14 56-27	Rod, Brake Hydro	71	532 14 01-58	Strap Torque L.H. Hydro 18/20NT
23	532 13 71-41	BracketAsmMtgCL	73	532 14 01-57	StrapTorqueR.H.Hydro18/20"T
24	873 22 06-00	Locknut	74	532 12 11-99	Spacer, Split
25	532 10 68-88	Spring, Brake Rod	75	532 12 17-49	Washer 25/32 x 1-1/4 x 16 Ga.
26	734 11 72-01	Washer	76	812 00 00-01	E-Ring
27	876 02 04-12	Pin Cotter 1/8 x 3/4 CAD.	77	532 12 35-83	Key, Square
29	532 07 16-73	Cap, Parking Brake	78	532 12 17-48	Washer 25/32 x 1-5/8 x 16 Ga.
30	532 13 08-07	Bracket, Transaxle	81	532 14 01-54	Shaft Asm. Cross Hydro 20" Tires
31	532 12 72-75	Keeper Belt L.H.	82	532 12 37-82	Spring Torsion T/A
32	874 78 05-12	Bolt Hex HD 5/16-18 UNC x 3/4	83	734 11 77-71	Washer 17/32 x 3/4 x 16 Ga.
33	872 14 05-06	Bolt Carriage 5/16-18 UNC x 3/4	84	532 14 05-48	Rod, Tie Hydro 20" Tires
34	532 12 24-24	Shaft, Foot Pedal	86	532 07 12-08	Bushing Rod Strig. 629/632 ID
35	532 12 01-83	Bearing, Nylon	87	734 11 85-71	Washer21/32x 1-1/4x 16Ga.
36	734 11 85-71	Washer	88	812 00 00-08	Ring Klip#5304-62
37	532 00 28-82	Pin, Roll	89	532 13 99-88	Console, Shift
38	532 12 36-74	Pulley, Idler, Flat	91	874 78 05-36	Bolt Fin Hex 5/16-18 x 2-1/4
39	874 76 06-44	Bolt	92	874 78 05-24	Bolt Fin Hex 5/16-18 UNC x 1-1/2
40	532 00 44-70	Spacer, Split	93	532 14 25-64	Line Fuel Hydro 4"
41	532 10 90-70	Keeper, Belt Retainer	94	532 14 04-62	Fan, Hydro 7"
42	734 11 72-01	Washer 13/32 x 13/16 x 12 Ga.	95	532 14 46-43	Control Asm. Bypass Hydro
44	532 10 57-06	Bearing, Nylon	96	532 12 47-88	Retainer Spring 1" Zinc/Cad
45	532 11 08-12	Washer, Hardened	97	532 14 04-69	Keeper Belt R.H. Hydro 0750.18/20"
46	812 00 00-39	Ring, Klip	98	873 22 06-00	Nut Keps Hex 3/8-16 UNC
47	532 12 77-83	Pulley,Idler,V-Groove	100	734 11 63-01	Washer11/32x3/4x16Ga.
48	532 12 37-89	BellcrankAssembly	102	532 14 13-22	WasherBelleville.501Dx1.50D
49	532 12 32-05	Retainer, Belt	103	873 61 08-00	Nut hex Jam Toplock 1/4-20 Unf
50	874 78 06-24	Bolt	104	532 14 01-56	Arm, Control Hydro
51	873 68 06-00	Nut	106	874 78 05-20	Bolt Fin Hex 5/16-18 UNC x 1-1/4
52	873 68 05-00	Nut Crown Lock 5/16-18			

NOTE: All component dimensions given in U.S. inches.
1 inch = 25.4 mm

REPAIR PARTS

ENGINE



REPAIR PARTS

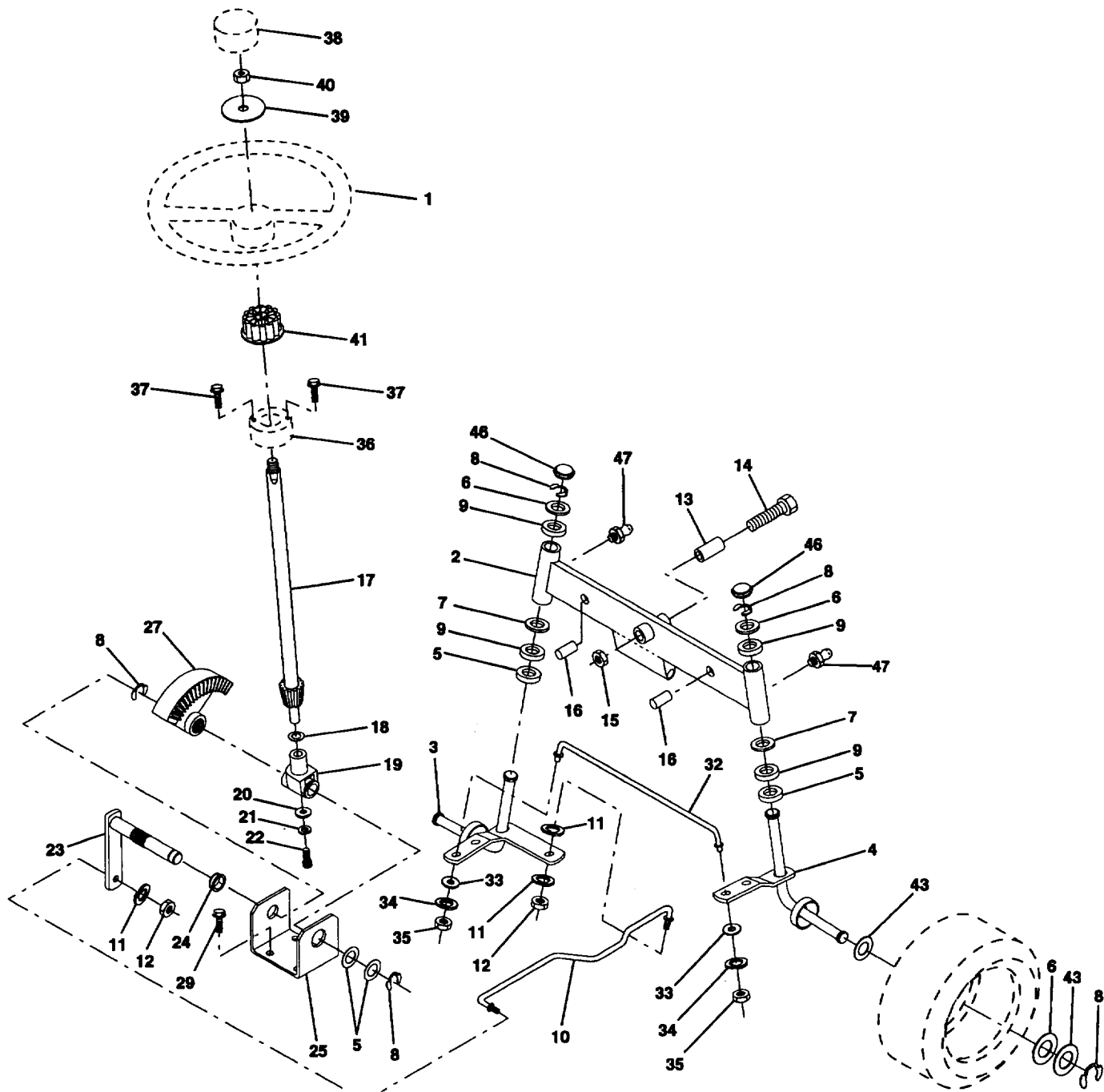
ENGINE

KEY NO.	PART NO.	DESCRIPTION
1	532 13 27-48	Control Throttle R.H. Blk Flg 44 75
2	874 78 04-10	Screw Hex Thd Cut 1/4-20 x 5/8 T
3	-----	Engine B&S, Model No. 303777
4	532 13 79-78	Muffler Exhaust
5	532 12 24-34	Tube Manifold L.H.
6	532 12 24-35	Tube Manifold R.H.
7	532 13 81-29	Clamp Tube Double Engine
8	532 12 24-39	Bracket Muffler Mounting
9	874 78 04-08	Screw Hex Wsh Thd Cut 1/4-20
11	-----	Washer Lock Hvy Spr (Order from Engine Manufacturer)
12	-----	Screw Hex Skt (Order from Engine Manufacturer)
13	-----	Muffler Gasket (Order from Engine Manufacturer)
14	813 28 03-36	Nipple Pipe 3/8 Npt x 4-1/2"
15	813 20 03-00	Elbow Std 90 Degree 3/8-18 Npt
16	810 04 06-00	Washer Lock ExtTooth 3/8
23	532 12 89-53	Shield Heat Browning LT/YT
24	817 02 10-08	Screw Tap Hex #10-24 UNC x 1/2
25	532 13 27-81	Control Choke
26	873 61 06-00	Nut, Fin Hex 3/8-24 Unf
29	532 13 71-80	Kit Spark Arrestor (Flat Scm)
31	532 14 10-69	Tank Fuel 3 50 Rear
32	532 14 05-27	Cap Asm Fuel
33	532 12 34-87	Clamp Hose Blk
34	532 10 60-82	Pad, Spacer
35	874 78 05-12	Screw Thdrol 5/16-18 x 3/4
36	734 11 74-41	Washer 13/32 x 1 -1 /4 x 12 Ga.
37	532 00 85-43	Line Fuel 54"
38	-----	Plug Oil Drain (Order from Engine Manufacturer)
39	532 10 92-27	Pad, Idler
40	532 00 36-45	Bushing
41	532 13 92-77	Stem Tank Fuel
78	874 78 06-20	Screw Thdrol 3/8-16 x 1-1/4
81	873 68 04-00	Nut KeDs 1/4-20 UNC

NOTE: All component dimensions given in U.S. inches.
1 inch = 25.4 mm

REPAIR PARTS

STEERING ASSEMBLY



REPAIR PARTS

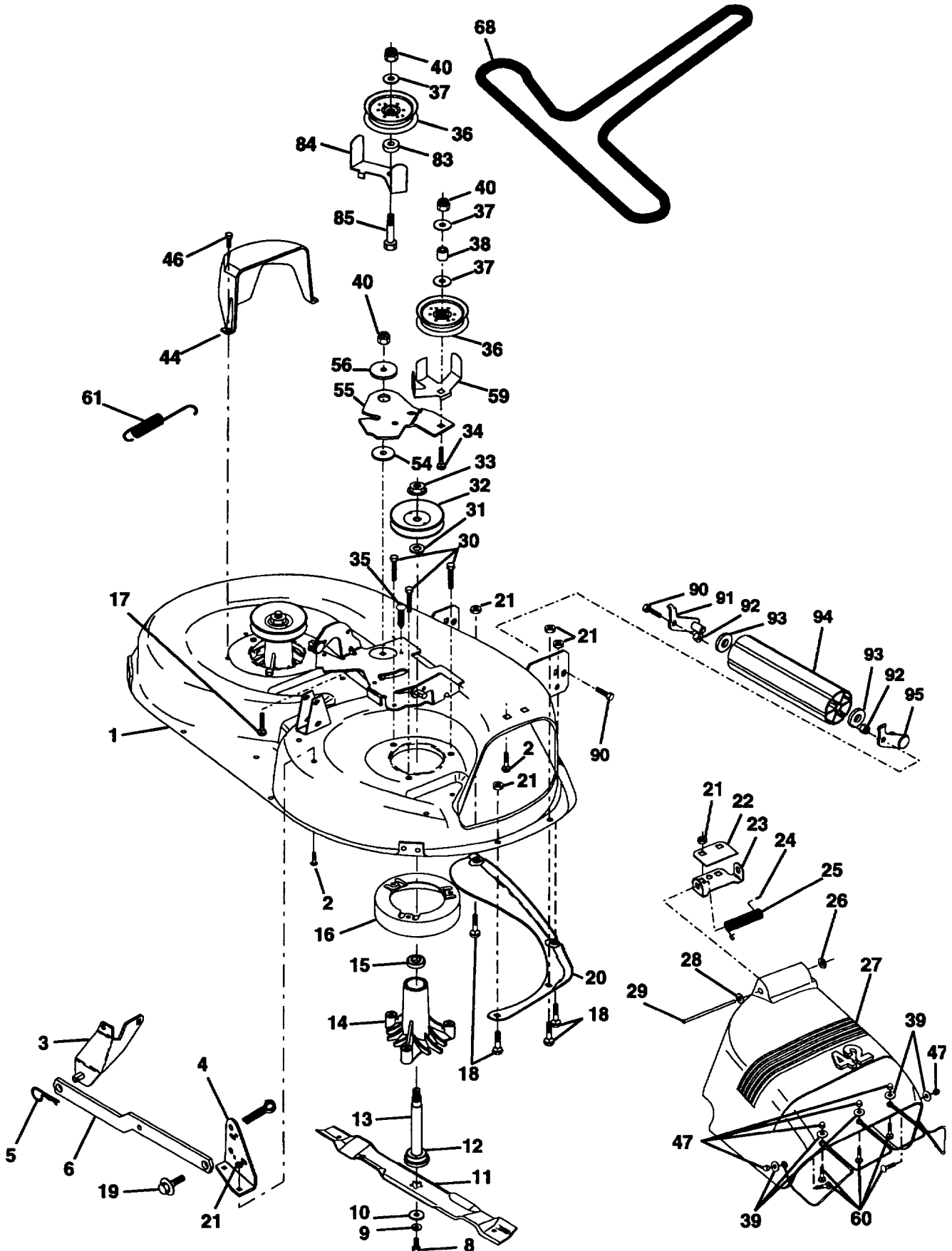
STEERING ASSEMBLY

KEY NO.	PART NO.	DESCRIPTION
1	532 13 97-68	Wheel Steering Opp Sears Blk
2	532 14 20-33	Axle Asm Fr LT W/gzks 38/42
3	532 13 52-27	Spindle Asm L.H.
4	532 13 52-28	Spindle Asm R.H.
5	532 00 62-66	Bearing Race Thrust Harden
6	532 12 17-48	Washer 25/32 x 1-5/8 x 16 Ga.
7	819 27 20-16	Washer 27/32 x 1 -1/4 x 16 Ga.
8	812 00 00-29	Ring Klip#5304-75
9	532 00 33-66	Bearing Col Strg Blk
10	532 13 04-68	Link Drag Sol Ball Jt 20 064
11	810 04 06-00	Washer Lock Hvy Hlcl Spr 3/8
12	873 61 06-00	Nut Fin 3/8-24 Unf
13	532 11 04-38	Spacer Bearing Axle Front
14	874 01 10-56	Bolt Hex 5/8-11 UNC x 3-1/2
15	873 68 10-00	Nut Lock Flange 5/8-11 UNC
16	532 13 26-24	Pin Axle 5/8 x 1 55/1 54 Lg
17	532 12 87-58	ShaftAsm Strg 18 31x 3/4 YP LT
18	532 05 70-79	Washer Thrust 515 x 750 x 033
19	532 12 40-35	Support Shaft
20	532 12 66-84	Washer Shim 1/4 x 5/8 x 062
21	810 04 04-00	Washer Lock Hvy Helical 1/4
22	871 07 04-10	Screw Hex Socket 1/4-20 x 5/8
23	532 12 75-01	ShaftAsm Pittman
24	532 10 98-16	Nyliner Snap In
25	532 12 40-36	Bracket Steering
27	532 13 68-74	Gear Sector
29	874 78 06-12	Screw Thdrol 3/8-16 x 3/4 Ty-tt
32	532 13 04-67	Rod Tie Wire Form 19 75 Elec
33	734 11 63-01	Washer 11/32 x 3/4 x 16 Ga.
34	810 04 05-00	Washer, Lock, Hvy Hlcl Spr 5/16
35	873 61 05-00	Locknut 5/16-24 Unf
36	532 14 52-07	Bushing Strg 3/4 Angle
37	817 21 10-08	Screw Slftp #10-16 x 1/2 Ty-b
38	532 14 01-75	Cap Strg Wh P/L Oppsrs
39	532 10 07-12	Washer 53 x 2 25 x 160 Zinc
40	873 61 08-00	Nut Hex Jam Toplock 1/2-20 Unf
41	532 10 07-11	AdapterWheel Strg 758/753id
43	532 12 17-49	Washer 25/32 x 1 1/4 x 16 Ga.
46	532 12 12-32	Cap Spindle Fr Top Blk
47	532 12 48-36	Fitting Grease

NOTE: All component dimensions given in U.S. inches.
1 inch = 25.4 mm

REPAIR PARTS

MOWER DECK



REPAIR PARTS

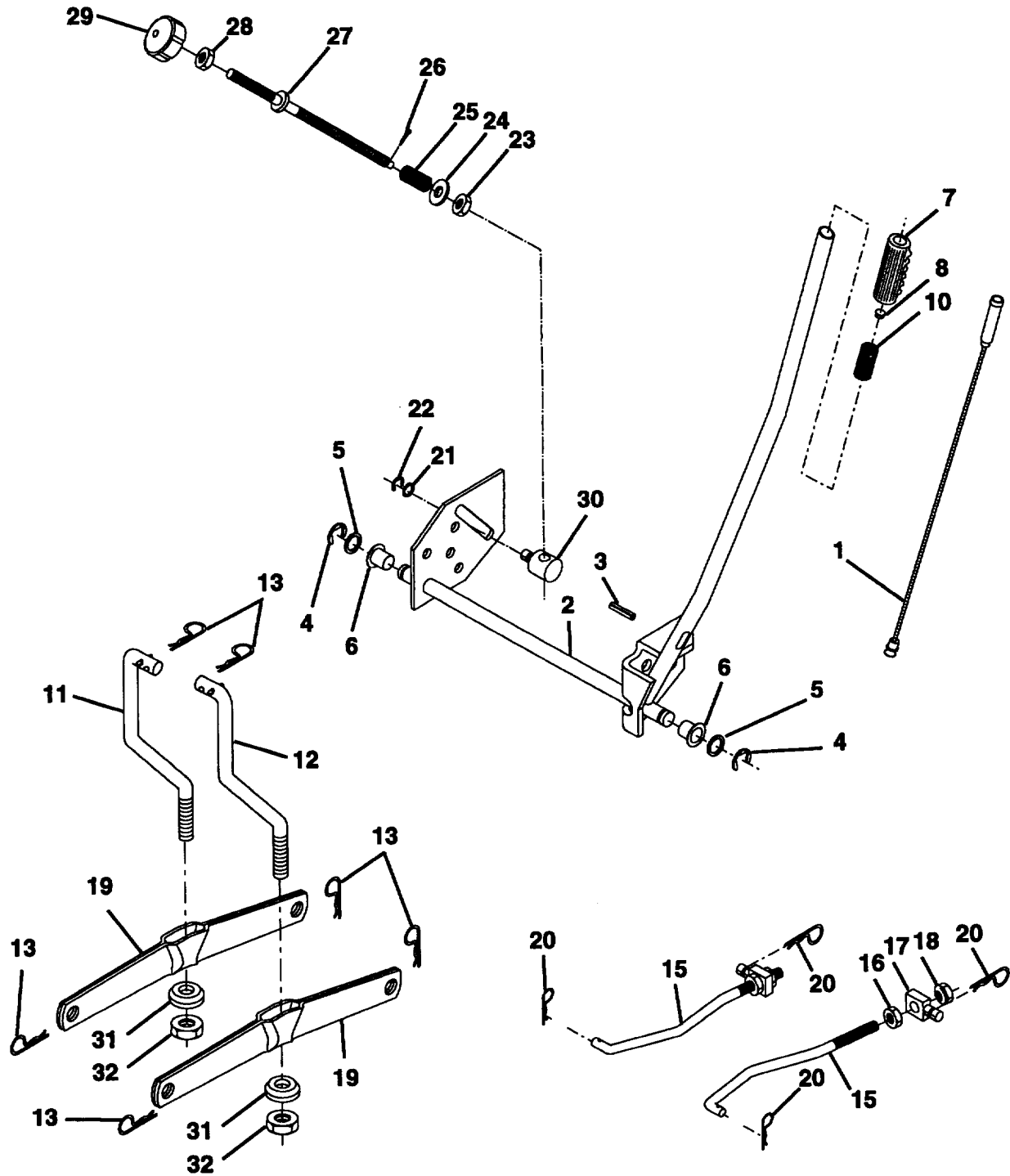
MOWER DECK

KEY NO.	PART NO.	DESCRIPTION	KEY NO.	PART NO.	DESCRIPTION
1	532 14 43-93	Housing Asm Mower 42"94 T-Path	36	532 13 14-94	Pulley Idler Flat 3 060
2	872 14 05-06	Bolt Rdhd Sqnk 5/16-18 UNC x 3/4	37	734 11 72-01	Washer 13/32 x 13/16 x 16 Ga.
3	532 13 80-17	Bracket Asm Fr Sway Bar 38/42	38	532 13 28-23	Spacer Spring Stop Idler
4	532 13 84-40	BracketAsmDeck42"sway Bar	39	532 14 65-70	WasherM5Din125ABN713
5	532 08 59-02	Retainer Spring	40	873 68 06-00	Nut Lock 3/8-16 UNC
6	532 13 08-32	Arm Suspension Rear	44	532 14 00-88	Guard Mandrel L.H. Black
8	532 85 08-57	Bolt 3/8-24 x 1 25 Gr8 Patched	46	532 13 77-29	Screw Thdrol 1/4-20 x 5/8
9	810 04 06-00	Washer Lock Hvy 3/8 Unplated	47	532 14 59-90	Nut Acorn
10	532 14 02-96	WasherHardBladeMowerVented	54	532 13 39-43	WasherHardened
11	532 13 84-98	Blade Mower High Lift"	55	532 14 00-84	Arm Idler 42"mower LT/YT
12	532 12 98-95	Bearing Ball #6204 (Mandrel)	56	532 12 20-52	Spacer Retainer Pm Mower
13	532 13 76-45	ShaftAsmW/lowerBearing	59	532 14 10-43	Guard, Belt
14	532 12 87-74	Housing Mandrel Vented(machd)	60	532 14 59-89	Bolt Rdhd Sqnk M5 x 0.8 x 16 mm
15	532 11 04-85	Bearing Ball Mandrel	61	532 13 19-50	Spring Ext. Elect
16	532 14 03-29	Stripper Round Mower	68	532 14 42-00	V-Belt Mower
17	872 11 06-18	Bolt Rdhd Sqnk 3/8-16 x 2-1/4	83	532 12 09-58	Washer Sintered
18	872 14 05-05	Bolt Carr 5/16-18 x 5/8	84	532 14 43-94	Keeper Belt Idler Fixed
19	532 13 28-27	Bolt Shoulder	85	872 14 06-20	Bolt Carriage 3/8-16 x 2-1/2 Gr. 5
20	532 13 68-88	Baffle Vortex 42	90	874 78 06-16	Bolt Fin Hex 3/8-16 UNC x 1
21	873 68 05-00	NutCrownLock5/16-18	91	532 13 22-74	BracketAsmNoserollerL.H.
22	532 13 47-53	Stiffener Bracket 42"deck	92	873 68 06-00	Nut Lock hex W/Ins. 3/8-16 UNC
23	532 13 12-67	BracketDeflectorMower42"	93	819 17 14-16	Washer17/32x7/8 x16 Ga.
24	532 10 53-04	Cap Sleeve 80 x 112 Blk Mower	94	532 13 22-64	Roller Nose 38 & 42
25	532 12 37-13	Spring Torsion Deflector 2 52	95	532 13 22-73	Bracket Asm Noseroller R.H.
26	532 11 04-52	Nut Push Phos & Oil			
27	532 13 94-50	Shield Deflector Clipping			
28	734 11 63-01	Washer 11/32 x 5/8 x 16 Ga.			
29	532 13 14-91	Rod Hinge 42"6 75 Wlg			
30	532 13 87-76	Screw Thdrol Hex Hd Zinc Mwr.			
31	532 12 99-63	Washer Spacer Mower Vented			
32	532 12 98-61	Pulley Mandrel 42"			
33	532 13 72-66	Nut 9/16top Lock Flng Cntr			
34	872 11 06-22	Bolt RDHD 3/8-16 UNC x 2-3/4 Gr. 5			
35	532 13 38-35	Fastner Christmas Tree			

NOTE: All component dimensions given in U.S. inches.
1 inch = 25.4 mm

REPAIR PARTS

MOWER LIFT ASSEMBLY



REPAIR PARTS

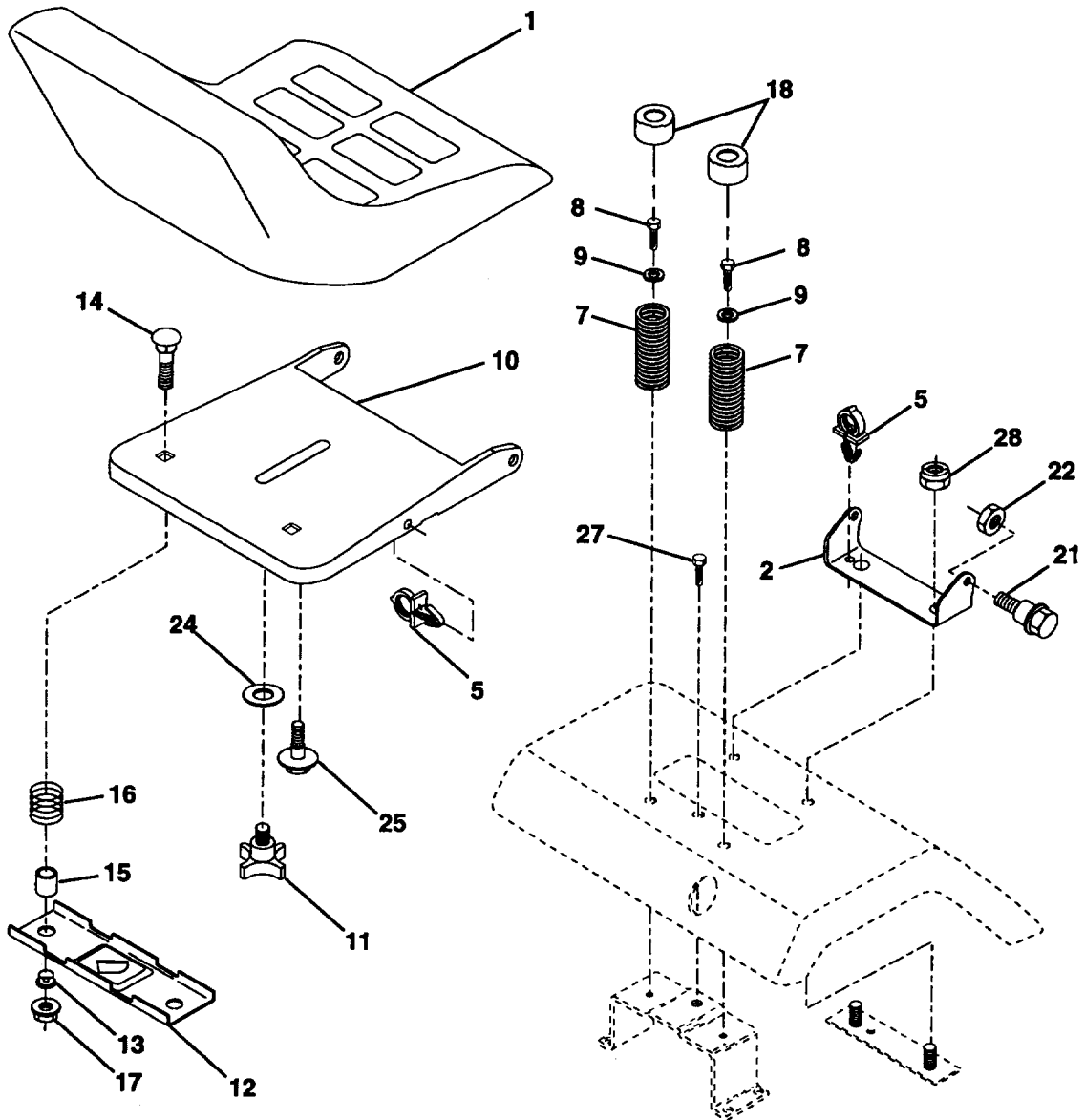
MOWER LIFT ASSEMBLY

KEY NO.	PART NO.	DESCRIPTION
1	532 13 69-71	WireAsminnerW/plunger2056
2	532 13 69-68	ShaftAsm Lift R.H. w/Inf
3	532 13 82-84	Pin Groove 1 500 Zinc
4	812 00 00-02	E Ring #5133-62
5	734 11 85-71	Washer 21/32 x 1 x 21 Ga.
6	532 12 01-83	Bearing Nylon Blk 629 Id
7	532 12 56-31	Grip Handle Bicycle Matte Blk
8	532 12 59-25	Button Plunger Black
10	532 12 25-12	Spring Cprsn 3 750 Oiled
11	532 13 98-65	Link Lift L.H.
12	532 13 98-66	Link Lift R.H.
13	532 08 59-02	Retainer Spring
15	532 12 72-18	Link Front
16	873 22 08-00	Nut Jam Hex 1/2-13 UNC
17	532 13 01-71	Trunnion Blk Zinc
18	873 80 08-00	Nut Lock W/wsh 1/2-13 UNC
19	532 13 98-68	Arm Suspension Rear
20	532 12 46-60	Retainer Spring
21	734 11 77-71	Washer 15/32 x 3/4 x 16 Ga.
22	812 00 00-37	Ring Klip#5304-37
23	532 11 08-07	Nut Special
24	734 11 71-71	Washer 13/32 x 5/8 x 16 Ga.
25	532 13 71-50	Spring
26	876 02 03-08	Pin Cotter 3/32 x 1/2
27	532 13 71-67	Rod Adj Lift
28	873 35 06-00	Nut Hex Jam 3/8-16 UNC
29	532 13 80-57	Knob Inf 3/8-16 UNC Blk W/sym
30	532 11 08-10	Trunnion Dp Stop Dbl Thds PLT
31	532 14 03-02	Bearing Pvt Lift Spherical
32	873 61 06-00	Nut Crownlock 3/8-24

NOTE: All component dimensions given in U.S. inches.
1 inch = 25,4 mm

REPAIR PARTS

SEAT ASSEMBLY



REPAIR PARTS

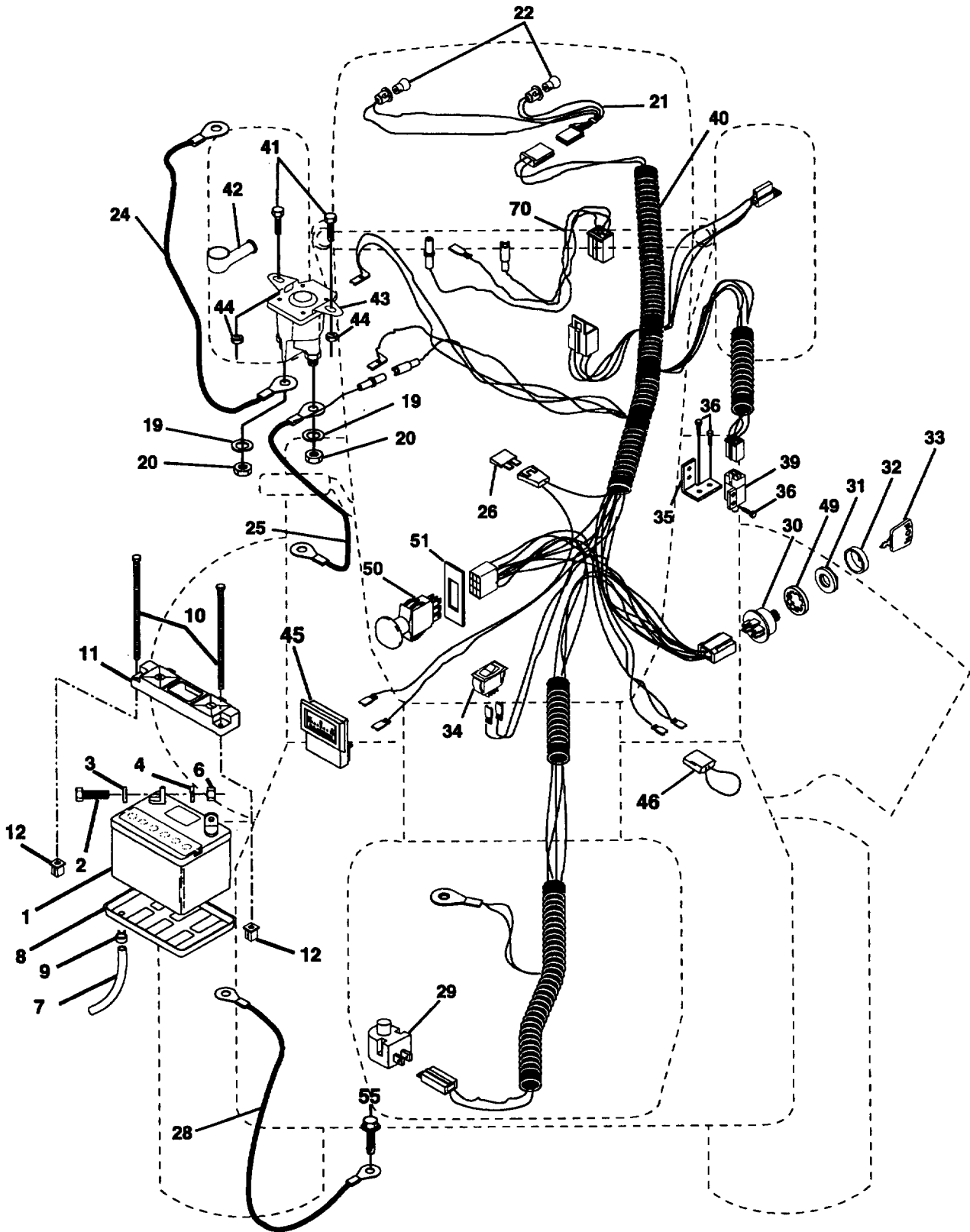
SEAT ASSEMBLY

KEY NO.	PART NO.	DESCRIPTION	KEY NO.	PART NO.	DESCRIPTION
1	532 12 74-40	Seat	16	532 12 37-40	Spring Cprsn 1 310 Blk Pnt
2	532 14 05-51	Bracket Pivot Seat	17	873 68 04-00	NutLock1/4LgeFlgGr5Zinc
5	532 14 50-06	Clip Push-In	18	532 12 42-38	Cap Sprng Seat
7	532 12 41-81	Spring Seat Cprsn 2 250 Blk Zi	21	532 13 98-88	Bolt Shoulder 5/16-18 UNC Blkz
8	817 49 05-08	Screw Hwsh Thdrol 5/16-18 x 1/2	22	873 68 05-00	Nut Crown Lock 5/16-18
9	819 13 16-14	Washer 13/32 x 1 x 14 Ga.	24	819 17 19-12	Washer 17/32 x 1-3/16 x 12 Ga.
10	532 14 05-52	Pan Seat	25	532 12 70-18	Bolt Shoulder 5/16-18 x 62
11	532 12 00-68	KnobSeat	27	817 49 06-08	Screw Thdrol 3/8-36 x 1/2
12	532 12 12-46	Bracket Mounting Switch	28	873 68 06-00	Nut Crownlock 3/8-16 UNC
13	532 12 12-48	Bushing Snap Blk Nyl 50 Id			
14	872 05 04-11	Bolt Rdhd Sht Nk 1/4-20 x 1 3/8			
15	532 12 12-49	Spacer Split 28 x 88 Yel Zinc			

NOTE: All component dimensions given in U.S. inches.
1 inch = 25.4 mm

REPAIR PARTS

ELECTRICAL



REPAIR PARTS

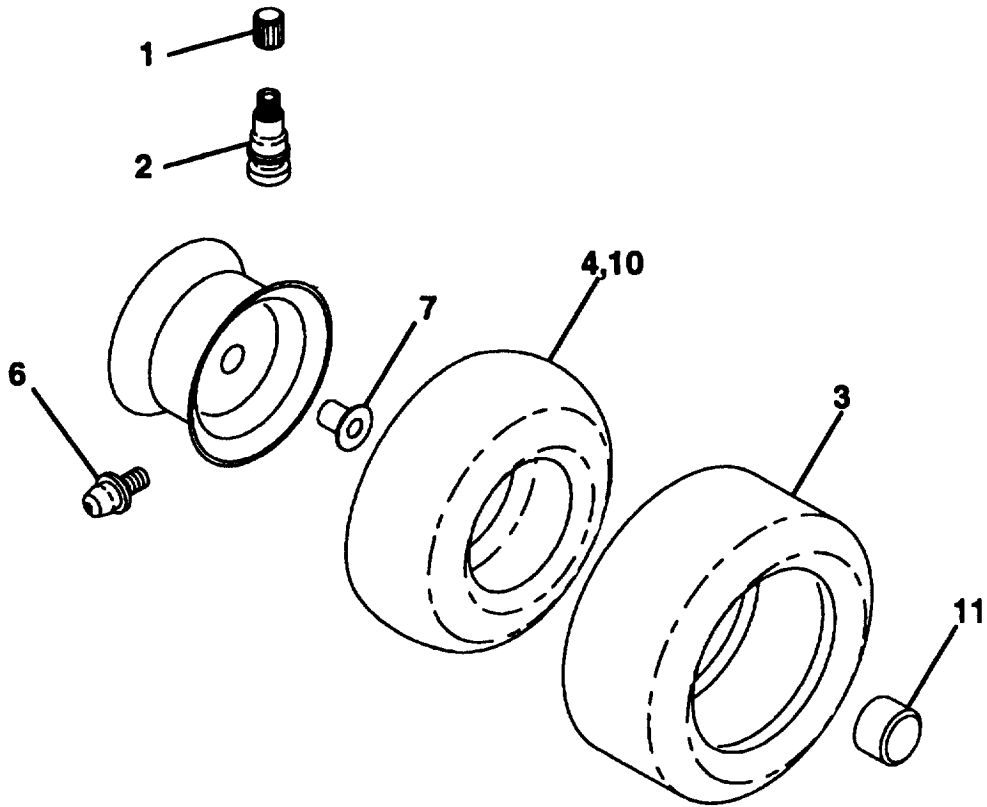
ELECTRICAL

KEY NO.	PART NO.	DESCRIPTION
1	532 14 49-26	Battery
2	874 76 04-12	Bolt, Hex Head 1/4-20 x 3/4
3	734 11 53-01	Washer 9/32 x 5/8 x 16 Gauge
4	810 04 04-00	Washer, Lock 1/4
6	873 22 04-00	Nut, Hex 1/4-20
7	532 00 76-97	Tube, Tray, Battery
8	532 00 76-03	Tray, Battery
9	532 10 95-96	Clamp, Hose
10	532 14 52-11	Bolt Btr Frt 1/4-20 x 7.5 Zinc
11	532 14 52-09	Holddown Battery Dash Mount
12	532 14 57-69	Nut, Push Nylon 1/4" Battery Frt.
19	810 04 04-00	Washer, Lock 1/4
20	873 22 04-00	Nut, Hex, Jam 1/4-20
21	532 13 68-50	Harness, Socket, LightW/4152J
22	532 00 41-52	Bulb, Light
24	532 14 61-36	Cable, Battery
25	532 14 61-48	Cable, Battery
26	532 10 88-24	Fuse
28	532 14 54-91	Cable, Battery
29	532 12 13-05	Switch, Plunger
30	532 14 49-21	Switch, Ignition
31	532 14 04-00	Nut, Ignition
32	532 14 12-26	Cover, Switch, Ignition
33	532 14 04-01	Key, Molded
34	532 11 07-12	Switch, Light
35	532 10 82-36	Bracket Switch Clutch
36	817 02 10-08	Screw, Hex Tap #10-24 UNC
39	532 10 95-53	Switch, Interlock (4 Terminal)
40	532 14 54-93	Harness, Ignition
41	874 76 04-12	Bolt, Blk Fin Hex 1/4-20 x 3/4
42	532 13 15-63	Cover, Terminal
43	532 14 56-73	Solenoid
44	873 68 04-00	Nut, Hex, Keps 1/4-20 UNC
45	532 12 28-22	Ammeter Rectangular 15 Amp
46	532 14 19-40	Protection Wire Loop (Hour Meter)
49	811 15 10-00	Washer Lock Internal Tooth 5/8
50	532 14 04-04	Switch, P.T.O.
51	532 14 04-05	Ring, Retainer, Pto
55	817 49 05-08	Screw Thdrol 5/16-18 x 1/2 TYT
70	532 14 04-24	Harness, Engine

NOTE: All component dimensions given in U.S. inches.
1 inch = 25.4 mm

REPAIR PARTS

WHEELS & TIRES



KEY NO.	PART NO.	DESCRIPTION
1	532 05 91-92	Cap Valve Tire
2	532 06 51-39	Stem Valve
3	533 30 11-40	Tire F Ts 15 x 6 0 - 6 Service
4	532 05 99-04	Tube Front (Service Item Only)
6	532 00 02-78	Fitting Grease (Front Wheel Only)
7	532 00 90-40	Bearing Plange (Front Wheel Only)
10	532 00 71-52	Tube Rear (Service Item Only)
11	532 10 47-57	Cap Hub Axle

NOTE: All component dimensions given in U.S. inches.
1 inch = 25.4 mm