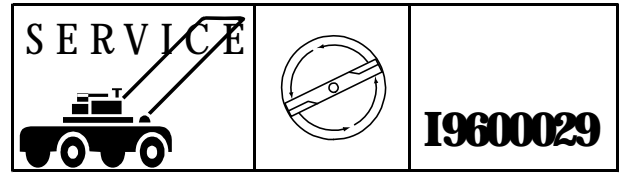


Jonsered



IPL, 600 SD, 1996-01

600 SD

Spare parts

Ersatzteile

Pièces détachées

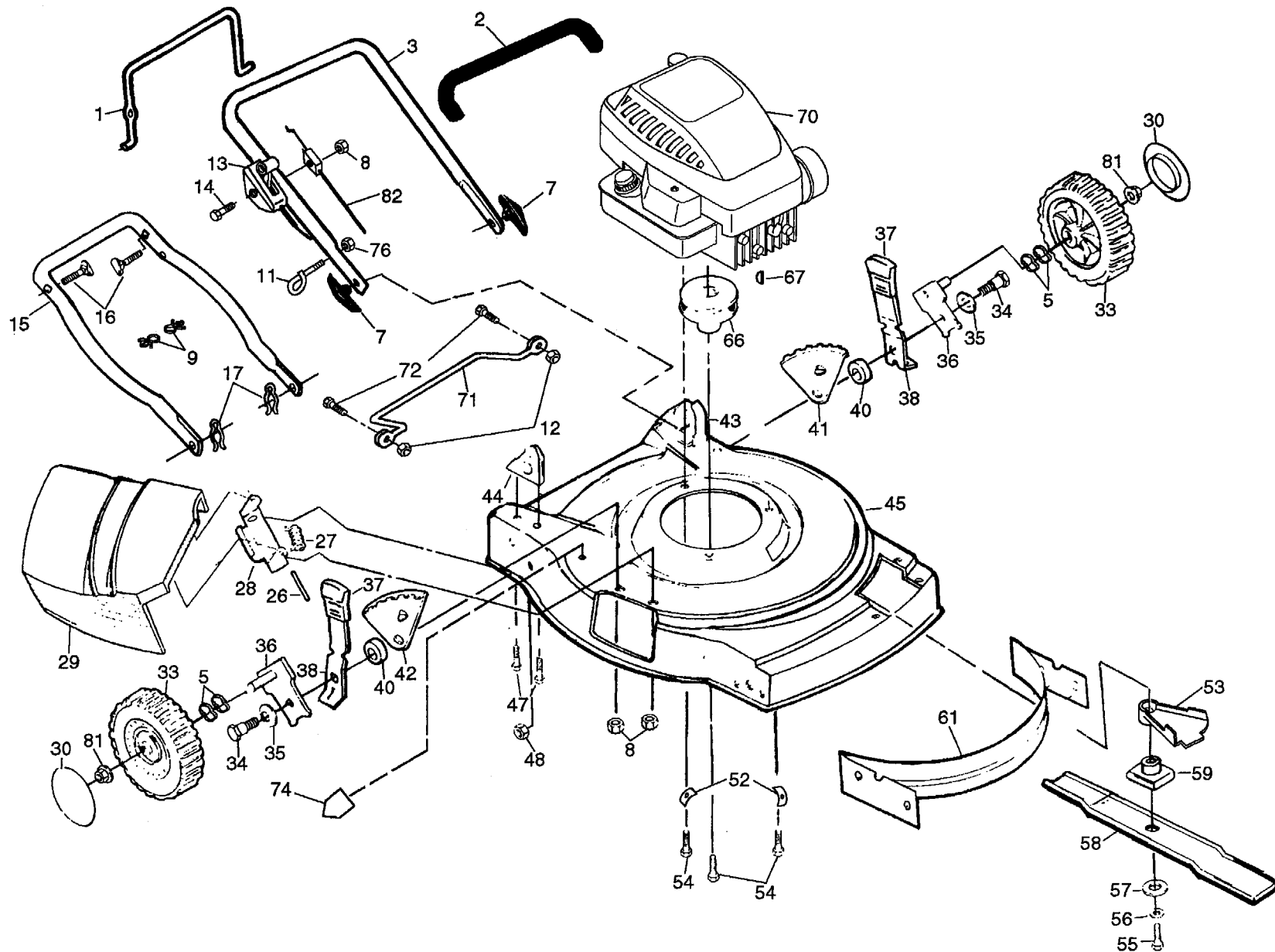
Reserve onderdelen

Repuestos

Reservdelar

Product No: 954 05 66-51

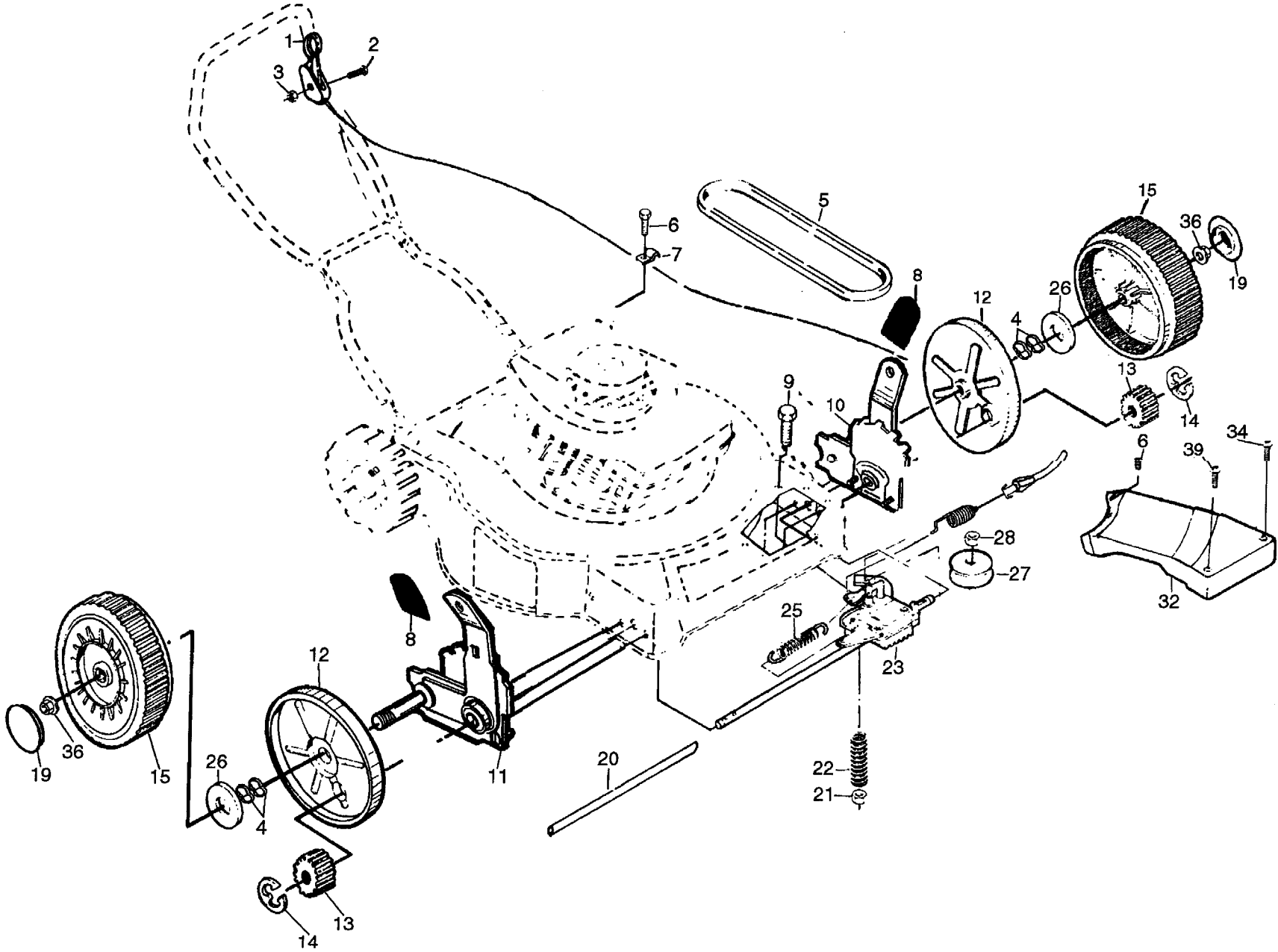
REPAIR PARTS, 1



REPAIR PARTS, 1

KEY PART NO.	PART NO.	DESCRIPTION	KEY PART NO.	PART NO.	DESCRIPTION
1	532 14 69-00	Control Bar	43	532 15 30-27	Handle Bracket Assembly (Left)
2	532 85 07-24	Handle Grip	44	532 15 30-26	Handle Bracket Assembly (Right)
3	532 12 52-20	Upper Handle	45	532 15 37-85	Lawn Mower Housing (Incl. Ref. #63, 74)
5	532 05 71-43	Wave washer	47	532 05 51-87	Self Tapping Screw 5/16-18 x 3/4
7	532 13 63-76	Handle Knob	48	873 68 06-00	Locknut 3/8-16
8	873 68 04-00	Locknut 1/4-20	49	873 68 04-00	Locknut 1/4-20
9	532 15 15-17	Wire Clips	53	532 13 22-31	Debris Shield
11	532 13 20-01	Rope Guide	54	532 85 09-98	Hex Head Thread Rolling Screw 3/8-16 x 1
12	532 06 91-80	Locknut 1/4-20	55	532 85 10-84	Hex Head Screw 3/8-24 x 1-3/8 Greade 8
13	532 70 04-17	Throttle Control	56	532 85 02-63	Helical Lock Washer 3/8
14	532 14 49-29	Hex Washer Head Screw 1/4-20 x 2-1/8	57	532 85 10-74	Hardened Washer
15	532 15 30-28	Lower Handle	58	532 14 11-14	22" Blade
16	532 13 19-59	Handle Bolt 5/16-18 x 1 -3/4	59	532 85 15-14	Blade Adapter
17	532 05 17-93	Hairpin Cotter	61	532 14 89-02	Front Baffle
26	532 14 72-86	Hinge Rod	66	532 08 45-96	Engine Pulley
27	532 08 75-89	Torsion Spring	67	532 08 76-77	Hi-Pro Key #HP 505
28	532 08 75-93	Housing Bracket Assembly	70	-----	* Engine - Briggs & Stratton - Model No. 10A902
29	532 75 01-49	Discharge Guard	71	532 80 16-22	Foot Guard
30	532 80 11-53	Hubcap	72	817 02 10-08	Screw
33	532 75 05-50	Wheel & Tire Assembly	74	532 14 54-94	Warning Decal
34	532 14 27-48	Shoulder Bolt 3/8-16 x 1	76	873 68 04-00	Keps Locknut 1/4-20
35	532 06 23-35	Belleville Washer 1/2	81	532 08 39-23	Nut
36	532 15 12-54	Axle Arm Assembly	--	532 12 53-81	Rear Baffle (Not Shown)
37	532 70 10-37	Selector Knob			
38	532 12 52-59	Selector Spring			
40	532 14 66-30	Spacer			
41	532 13 43-41	Wheel Adjusting Bracket (Left)			
42	532 13 43-40	Wheel Adjusting Bracket (Right)			

REPAIR PARTS, 2

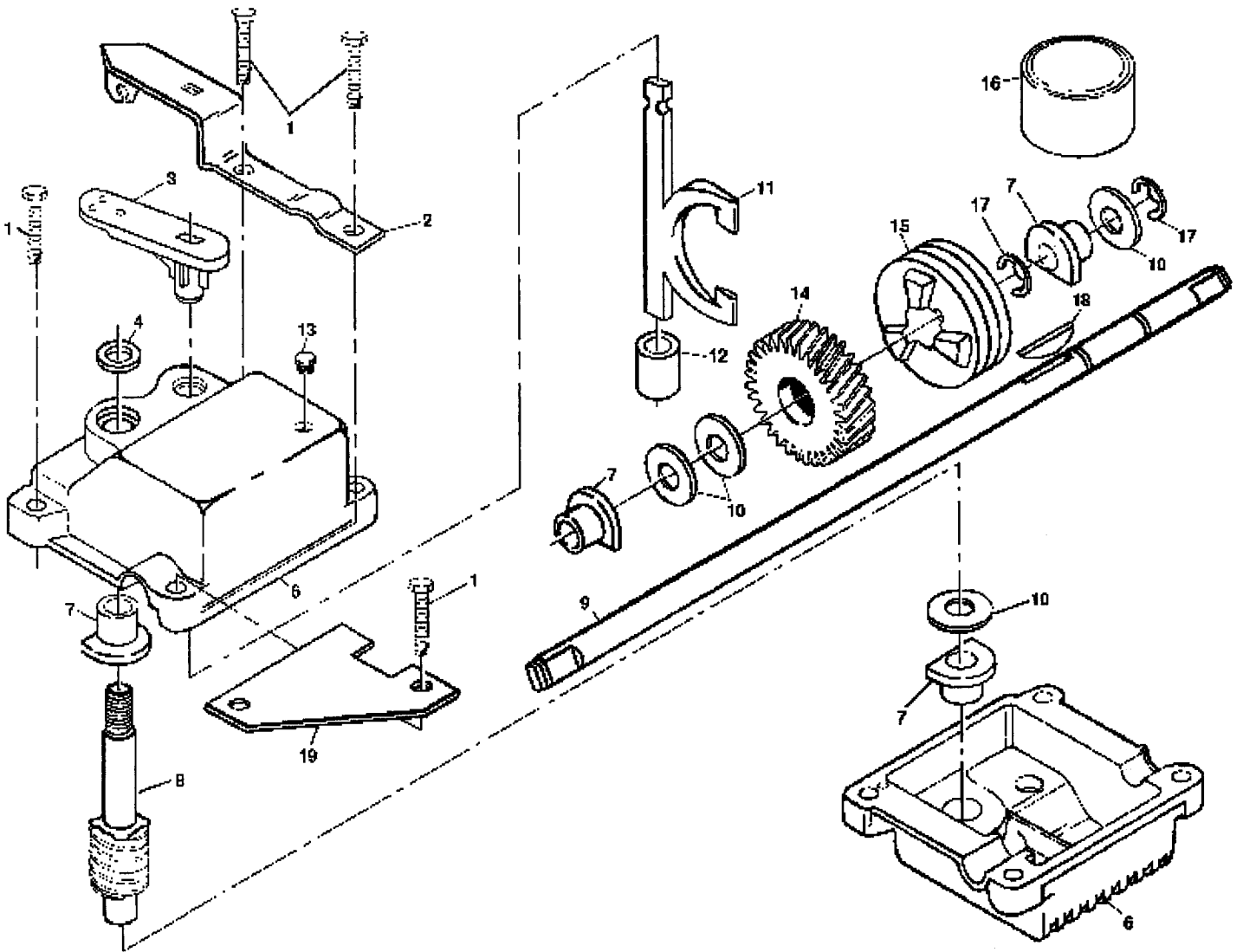


REPAIR PARTS, 2

KEY PART NO.	PART NO.	DESCRIPTION	KEY PART NO.	PART NO.	DESCRIPTION
1	532 14 57-55	Dual Head Cable Control Assembly	19	532 80 11-53	Hubcap
2	532 14 49-29	Pan Head Machine Screw 1/4-20 x 2.12	20	532 08 60-12	Drive Shaft Cover
3	873 68 04-00	Locknut	21	873 68 04-00	Locknut
4	532 05 71-43	Wave Washer	22	532 13 70-90	Spring
5	532 13 70-78	V-Belt	23	532 70 25-11	Gear Case Assembly
6	817 02 10-08	Hex Washer Head Screw #10-24 x 1/2	25	532 07 51-92	Spring
7	532 08 79-30	Clip Guide (Housing)	26	532 06 77-25	Washer
8	532 70 10-37	Selector Knob	27	532 13 70-52	Drive Pulley
9	532 70 08-75	Hex Head Bolt 1/4-20 x 2	28	532 13 20-10	Locknut
10	532 15 24-58	Wheel Adjuster Assembly (Left)	32	532 75 10-29	Drive Cover
11	532 12 24-57	Wheel Adjuster Assembly (Right)	34	532 08 78-66	Pan Head Tapping Screw #10-24 x 2-3/4
12	532 08 80-80	Dust Cover	36	532 08 39-23	Flanged Locknut
13	532 13 70-54	Pinion	39	532 14 97-46	Screw
14	812 00 00-58	E-Ring	--	532 75 03-20	Decal 7 Position (RH) (Not Shown)
15	532 80 11-56	Wheel & Tire Assembly	--	532 75 03-19	Decal 7 Position (LH) (Not Shown)

REPAIR PARTS

GEAR CASE ASSEMBLY PART NUMBER 702510-532702511



KEY PART NO.	PART NO.	DESCRIPTION
1	817 49 04-16	Tapping Screw 1/4-20 x 1-1/4
2	532 14 02-69	Engagement Bracket
3	532 13 70-53	Shifter
4	532 05 70-72	Seal
6	532 04 83-73	Gear Case halves Kit (Includes Key) Nos. 4 and 7)
7	532 07 78-81	Bearing
8	532 13 70-51	Worm Shaft
9	532 13 70-74	Drive Shaft
10	532 05 70-79	Hardened Washer

KEY PART NO.	PART NO.	DESCRIPTION
11	532 13 14-84	Clutch Yoke
12	532 70 03-43	Bushing
13	532 08 64-47	Plug
14	532 13 70-50	Helical Gear
15	532 75 04-36	Clutch Jaw
16	532 75 03-55	Grease
17	812 00 00-03	E-Ring
18	532 85 08-48	Hi-Pro Key
19	532 12 54-41	Spring Bracket

Jonsered

Jonsered Power Products AB
433 81 Partille Sweden