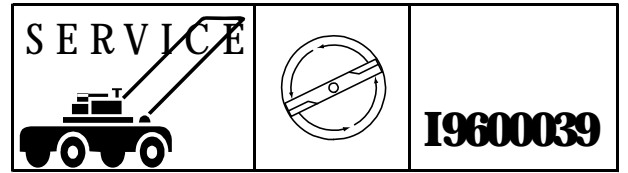


# Jonsered



IPL, YTH18 46", 1996-01

# YTH18 46"

Product No: 954 00 34-71

**Spare parts**

**Ersatzteile**

**Pièces détachées**

**Reserve onderdelen**

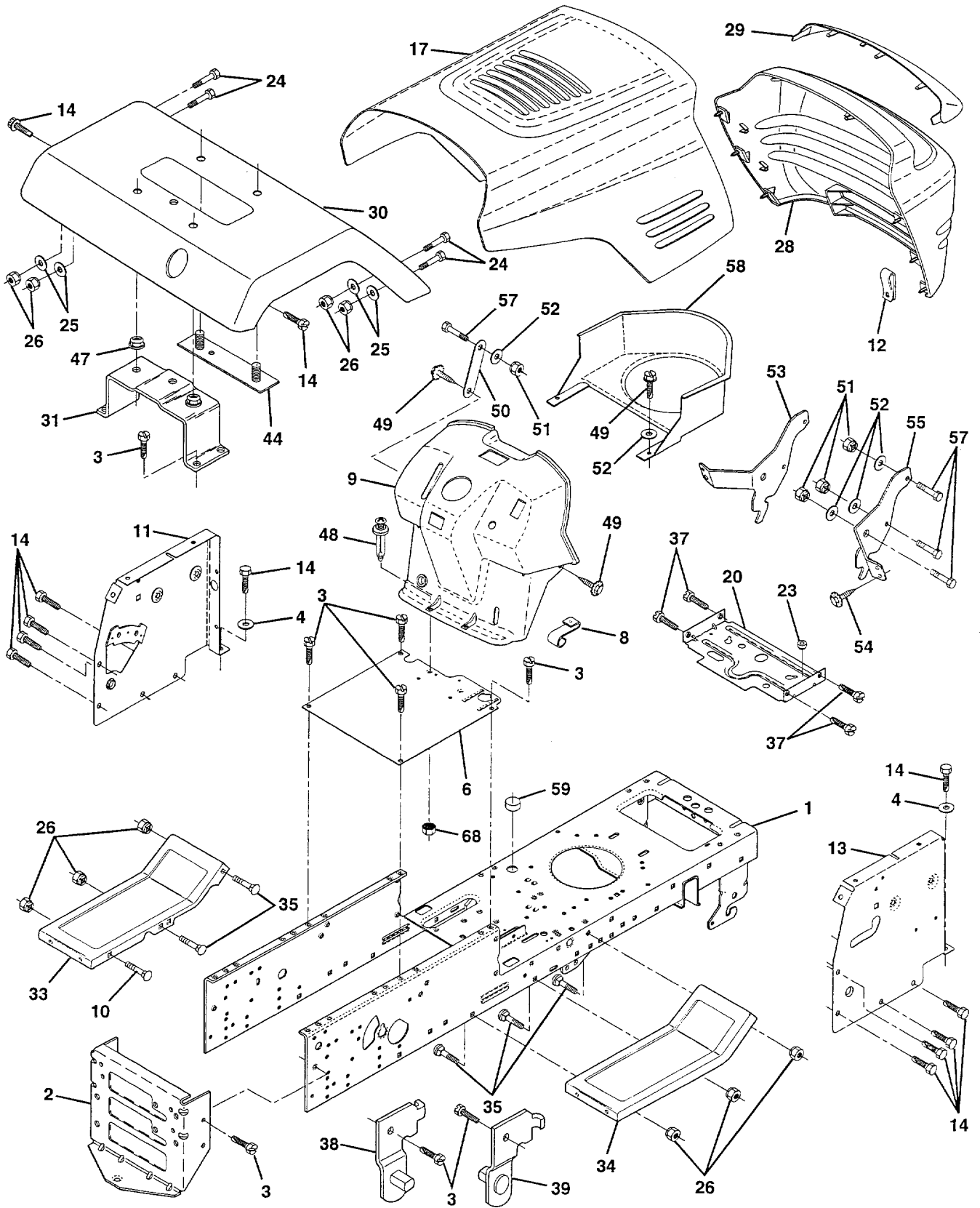
**Repuestos**

**Reservdelar**

# A.

## REPAIR PARTS

### CHASSIS AND ENCLOSURES



# A.

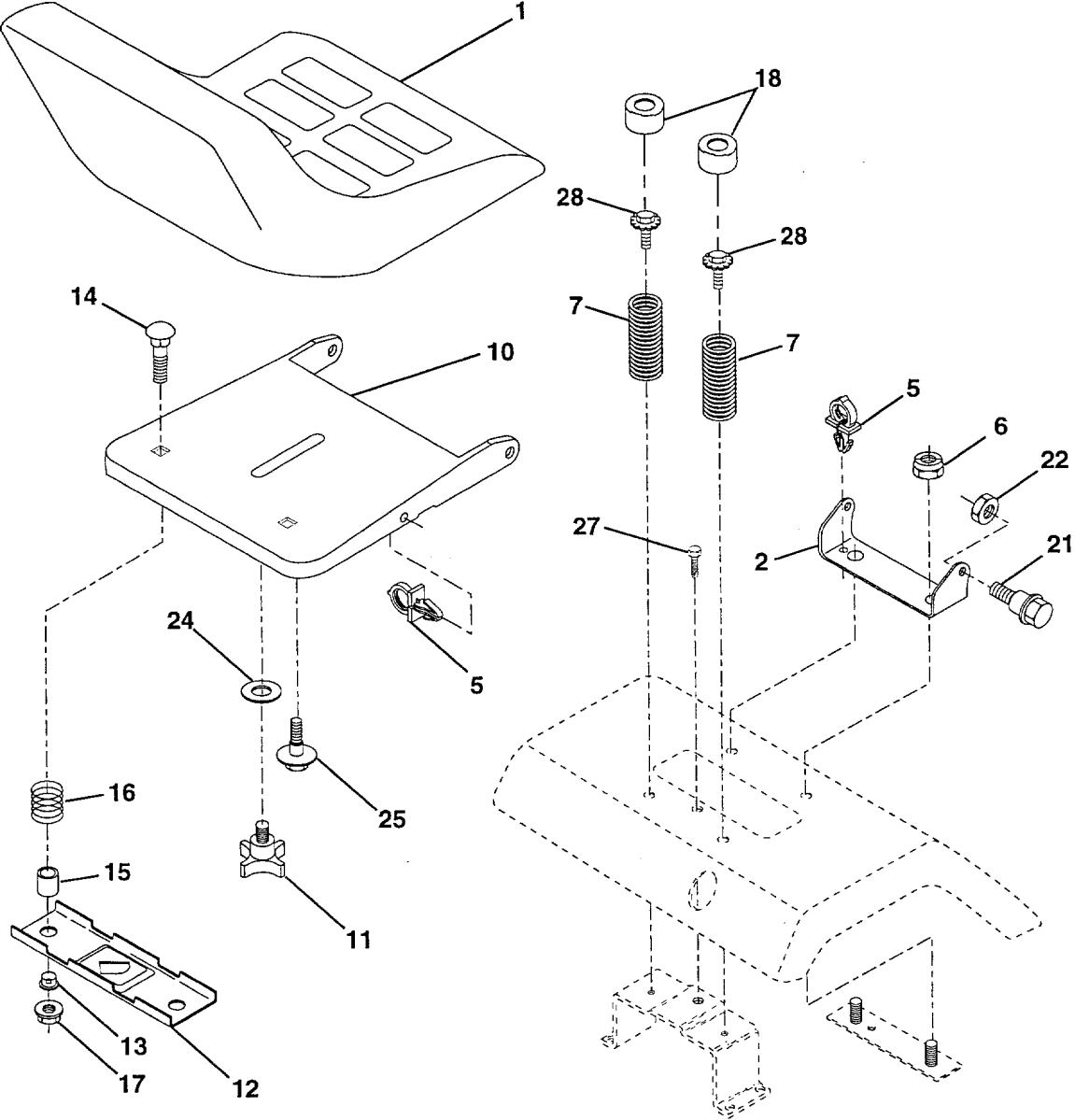
## REPAIR PARTS

### CHASSIS AND ENCLOSURES

KEY NO.	PART NO.	DESCRIPTION
1	532 14 55-01	Chassis Weldment 11Ga
2	532 14 03-56	Drawbar Stretch
3	874 78 06-12	Screw Thdrol 3/8-16 x 3/4 Ty-Tt
4	734 11 72-01	Washer 13/32 x 3/4 x 16 Ga.
6	532 14 52-06	Saddle Lt Shift Fender
8	532 12 64-71	Clip, Insulator.406 Mtg Hole
9	532 14 24-66	Dash P/L W/Amm. w/PTO Grey
10	872 11 06-08	Bolt, Carriage 3/8-16 x 1
11	532 14 69-56	Panel Pnt Dash LH
12	532 14 56-60	Clip Tinnerman Grille P/L
13	532 14 69-62	Panel AsmDash RH
14	817 49 06-08	Screw Thdrol. 3/8-16 x 1/2 Ty-Tt
17	532 15 07-60	Hood
20	532 14 52-10	Plate Mtg Battery/Fuel Tank 95
23	532 12 40-28	Bushing
24	874 78 06-16	Bolt, Fin Hex 3/8-16 UNC x 1 Gr. 5
25	734 11 72-01	Washer 13/32 x 13/16 x 12 Ga.
26	873 68 06-00	Nut, Lock Hex W/Ins 3/8-16 UNC
28	532 15 06-71	Grill
29	532 14 51-99	Lens
30	532 14 21-57	Fender
31	532 13 71-13	Bracket Pnt. Fender
33	532 14 91-39	Footrest Pnt. LH
34	532 14 91-40	Footrest Pnt. RH
35	872 11 06-06	Bolt Rdhd Sht. Sqnk. 3/8-16 x 3/4
37	817 49 05-08	Screw Thdrol 5/16-18 x 1/2
38	532 13 98-86	Bracket, Asm. Pvt. LH Mower Rear
39	532 13 98-87	Bracket, Asm. Pvt. RH Mower Rear
44	532 14 06-75	Strap Asm, Fender 94
47	532 10 55-31	Nut, Push Nylon
48	532 13 80-96	Rivet Push Plate D Plastic Blk
49	874 76 04-12	Screw Hex Wsh. Thdrol. 1/4-20 x 3/4
50	532 14 27-79	Brace
51	873 68 04-00	Nut, Lock Hex W/Ins. 1/4-20
52	819 09 14-16	Washer 9/32 x 7/8 x 16 Ga.
53	532 14 52-01	Bracket Pnt. Pick off
54	817 03 08-14	Screw Lock Spider #8 x 7/8
55	532 14 52-02	Bracket Grille Pickoff RH
57	874 76 04-12	Bolt Hex 1/4-20 x 3/4
58	532 15 01-27	Duct Air
59	532 00 91-51	Bushing, Snap Split Blk
68	873 68 04-00	Nut Keps Hex 1/4-20

# C. REPAIR PARTS

## SEAT ASSEMBLY



# C.

## REPAIR PARTS

### SEAT ASSEMBLY

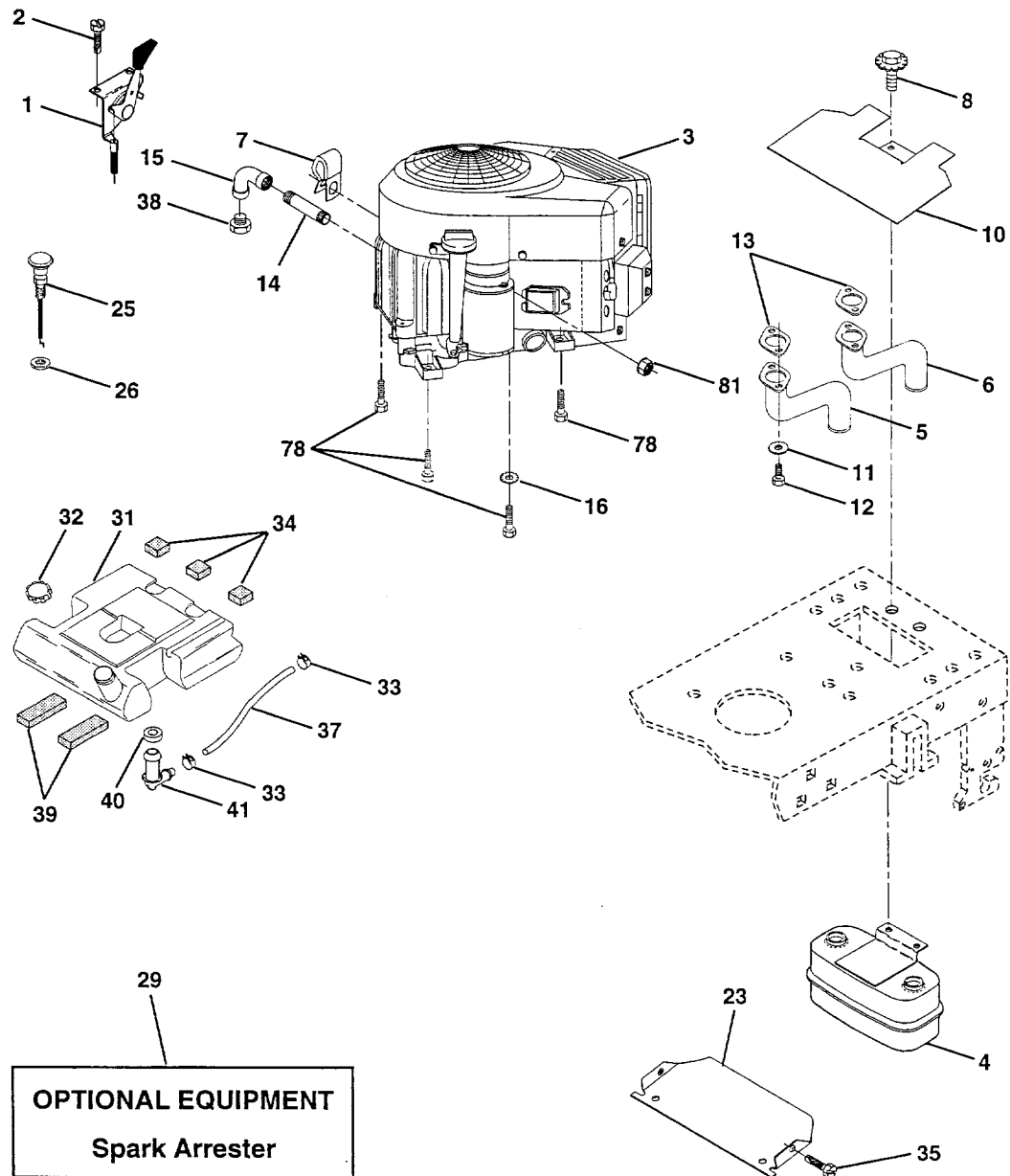
KEY NO.	PART NO.	DESCRIPTION
1	532 12 74-40	Seat
2	532 14 05-51	Bracket Pivot Seat 8 720
5	532 14 50-06	Clip, Push-In Hinged
6	873 68 06-00	Nut Crownlock 3/8-16 UNC
7	532 12 41-81	Spring Seat Cprsn 2 250 Blk Zi
10	532 14 05-52	Pan Seat
11	532 12 00-68	Knob Seat 1/2-13 UNC Blk
12	532 12 12-46	Bracket Mountng Switch
13	532 12 12-48	Bushing Snap Blk Nyl 50 Id
14	872 05 04-11	Bolt Rdhd Sht Nk 1/4-20 x 1-3/8
15	532 12 12-49	Spacer Split 28 x 88 Yel Zinc

KEY NO.	PART NO.	DESCRIPTION
16	532 12 37-40	Spring Cprsn 1310 Blk Pnt
17	532 12 39-76	Nut Lock 1/4 Lge Flg Gr 5 Zinc
18	532 12 42-38	Cap Spring Seat
21	532 13 98-88	bolt Shoulder 5/16-18 UNC Blkz
22	873 68 05-00	Nut Crown Lock 5/; 6-18
24	819 17 19-12	Washer 17/32 x 1 -3/16 x 12 Ga.
25	532 12 70-18	Bolt Shoulder 5/16-18 x 62
27	817 49 06-08	Screw Thdrol 3/8-36 x 1/2 Ty-TT
28	874 78 05-12	Bolt 5/16-18 UNC x 3/4

**NOTE:** All component dimensions given in U.S. inches.  
1 inch = 25.4 mm

# F. REPAIR PARTS

## ENGINE



# F.

## REPAIR PARTS

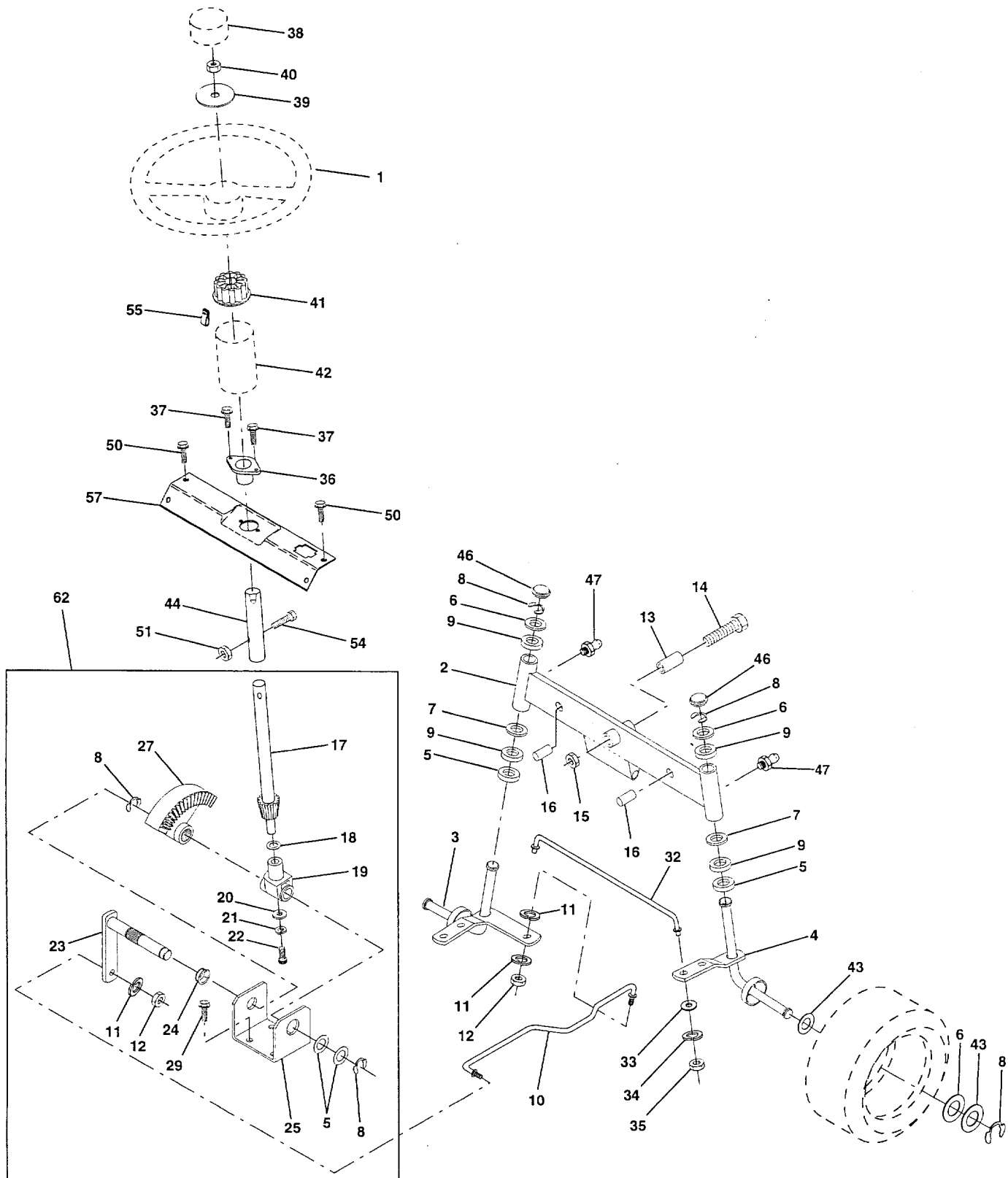
### ENGINE

KEY NO.	PART NO.	DESCRIPTION
1	532 14 88-75	Control Throttle
2	874 78 04-10	Screw Hex Thd Cut 1/4-20 x 5/8 T
3	-----	Engine B&S, Model No. 350777
4	532 14 97-23	MufflerTwin Lo-Twin
5	532 12 24-34	Tube Manifold L.H.
6	532 12 24-35	Tube Manifold R.H.
7	532 13 81-29	Clamp
8	874 78 05-12	Bolt 5/16-18 UNC x 3/4 w/Sems
10	532 14 55-52	Shield Heat LT
11	-----	Washer Lock Hvy Hlcl (Order from Engine Manufacturer)
12	-----	Bolt, Fin Hex 1/4-20 x 3/4 (Order from Engine Manufacturer)
13	-----	Muffler Gasket (Order from Engine Manufacturer)
14	813 28 03-36	Nipple Pipe 3/8 Npt x 4-1/2"
15	813 20 03-00	Elbow Std 90 Degree 3/8-18 Npt
16	810 04 06-00	Washer Lock Ext Tooth 3/8
23	532 12 89-53	Shield Heat Browning LT/YT
24	817 02 10-08	Screw Tap Hex #10-24 UNC x 1/2
25	532 14 59-96	Control Choke 37"
26	873 92 06-00	Nut, Hex 3/8-24 Unf
29	532 13 71-80	Kit Spark Arrestor (Flat Scm)
31	532 14 10-69	Tank Fuel 3 50 Rear
32	532 14 05-27	Cap Asm Fuel W/sym Vented
33	532 12 34-87	Clamp Hose Blk
34	532 10 60-82	Pad, Spacer
37	532 14 12-58	Line Fuel 54"
38	-----	Plug Oil Drain (Order from Engine Manufacturer)
39	532 10 92-27	Pad, Idler
40	532 00 36-45	Bushing
41	532 13 92-77	Stem Tank Fuel
78	874 78 06-20	Screw Thdrol 3/8-16 x 1-1/4 Tytt
81	873 22 04-00	Nut Flange 1/4-20 Starter Nut

# H.

## REPAIR PARTS

### STEERING ASSEMBLY





# H.

## REPAIR PARTS

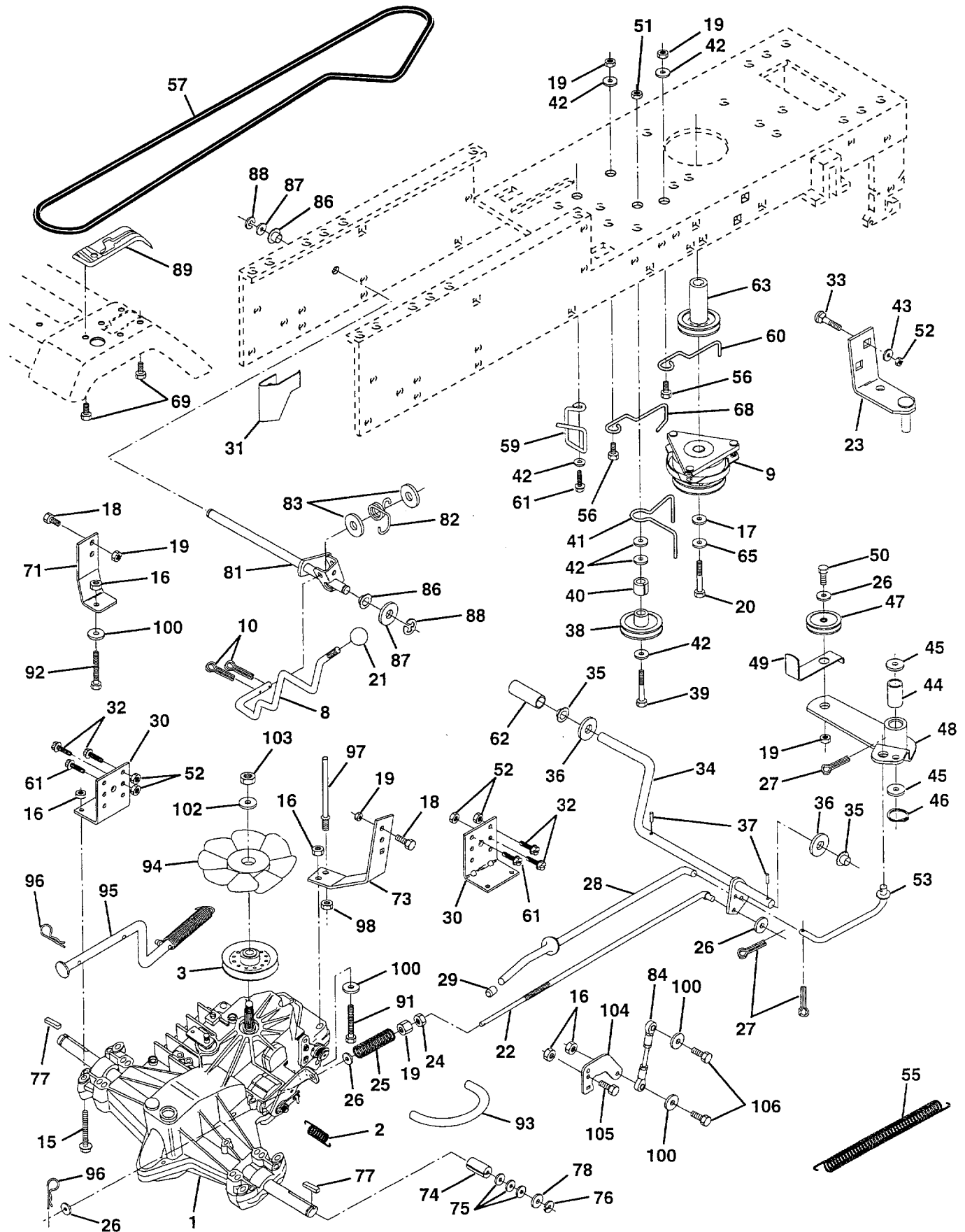
### STEERING ASSEMBLY

KEY NO.	PART NO.	DESCRIPTION
1	532 14 00-44	Wheel Steering
2	532 14 20-33	Axle Asm Fr LT W/gzks 38/42
3	532 13 52-27	Spindle Asm L.H.
4	532 13 52-28	Spingle Asm R.H.
5	532 00 62-66	Washer Thrust .75 x 1 .230
6	532 12 17-48	Washer 25/32 x 1 -5/8 x 16 Ga.
7	819 27 20-16	Washer 27/32 x 1-1/4 x 16 Ga.
8	812 00 00-29	Ring Klip #5304-75
9	532 00 33-66	Bearing Col Strg Blk
10	532 13 04-68	Link Drag Sol Ball Jt 20 064
11	810 04 06-00	Washer Lock Hvy Hlcl Spr 3/8
12	873 61 06-00	Nut Fin 3/8-24 Unf
13	532 11 04-38	Spacer Bearing Axle Front
14	874 01 10-56	Bolt Hex 5/8-11 UNC x 3-1/2
15	873 68 10-00	Nut Lock Flange 5/8-11 UNC
16	532 13 26-24	Pin Axle 5/8 x 1 55/1 54 Lg
17	532 14 01-76	Shaft Asm Strg Privat Label
18	532 05 70-79	Washer Thrust 515 x 750 x 033
19	532 12 40-35	Support Shaft
20	532 12 66-84	Washer Shim 1/4 x 5/8 x 062
21	810 04 04-00	Washer Lock Hvy Helical 1/4
22	871 10 04-10	Screw, Cap Sckt Hd Phos & Oil
23	532 12 75-01	Shaft Asm Pittman
24	532 10 98-16	Nyliner Snap In
25	532 12 40-36	Bracket Steering
27	532 13 68-74	Gear Sector
29	874 78 06-12	Screw Thdrol 3/8-16 x 3/4 Ty-tt
32	532 13 04-67	Rod Tie Ball JT Sol 19.75 Elec
33	734 11 63-01	Washer 11/32 x 3/4 x 16 Ga.
34	810 04 05-00	Washer, Lock, Hvy Hlcl Spr 5/16
35	873 61 05-00	Locknut 5/16-24 Unf 3847
36	532 10 28-03	Bushing Strg
37	817 21 10-08	Screw Slftp #10-16 x 1/2 Ty-b
38	532 14 00-45	Insert Cap Strg Wh
39	819 13 38-08	Washer 13/32 x 2-3/8 x 8 Ga
40	873 61 06-00	Nut Lock Center 3/8-24 Unf
41	532 10 48-20	Adaptor Wheel Strg 640/635id
42	532 14 02-16	Boot Steering Shaft
43	532 12 17-49	Washer 25/32 x 1 1/4 x 16 Ga.
44	532 14 66-90	Shaft Extenn Steering
46	532 12 12-32	Cap Spindle Fr Top Blk
47	532 00 68-55	Fitting Grease
50	874 76 04-12	Screw Hex Wsh Thdrol 1/4-20 x 3/4
51	873 80 05-00	Nut Lock hex w/lns 5/16-18
54	874 78 05-20	Bolt Fin Hex 5/16-18 UNC x 1-1/4
55	532 14 02-85	Clip Tinnerman
57	532 14 01-72	Support Shaft Steering
62	532 14 96-86	Kit, Steering Assembly

# L.

## REPAIR PARTS

### DRIVE



# L.

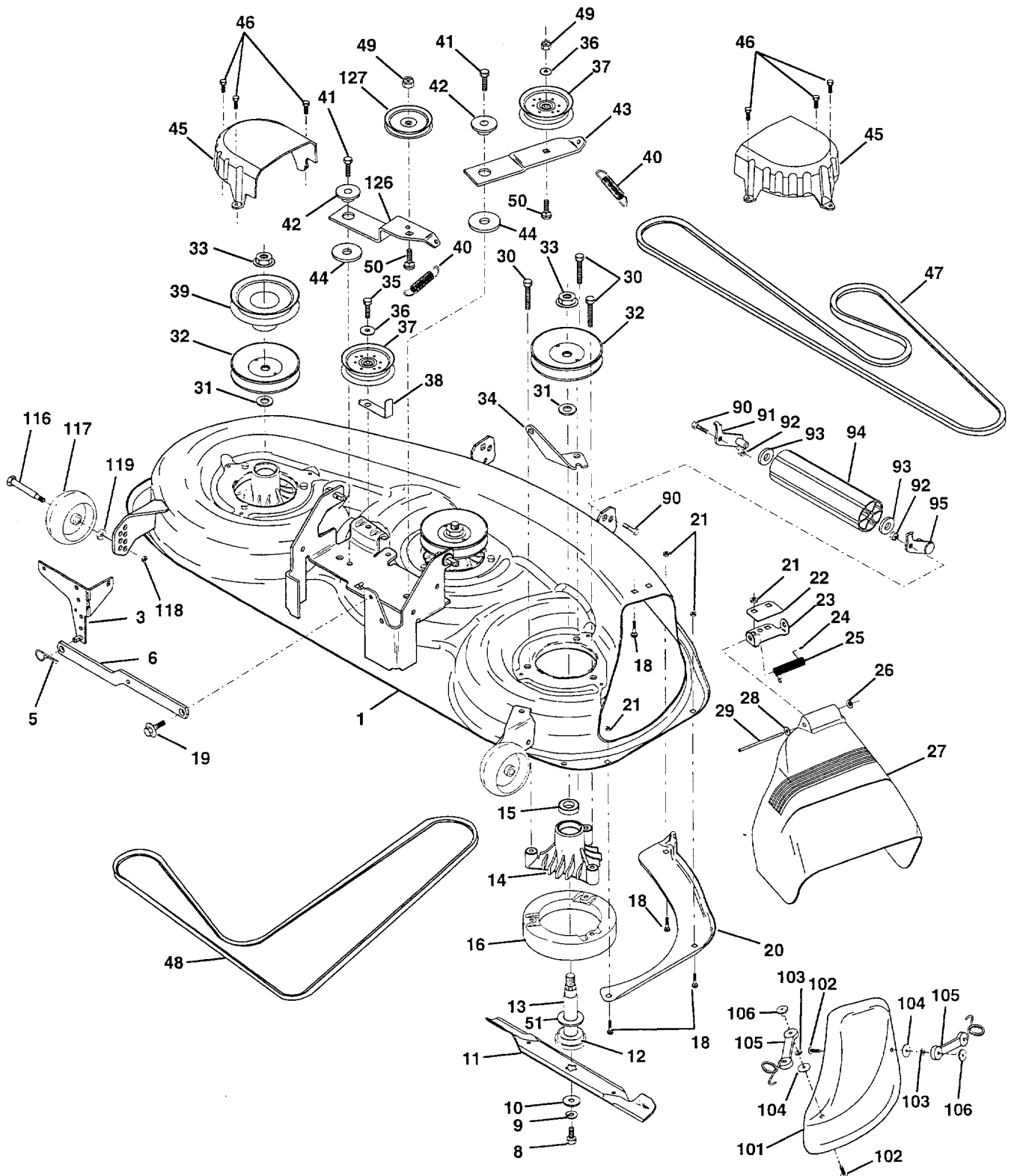
## REPAIR PARTS

### DRIVE

KEY NO.	PART NO.	DESCRIPTION	KEY NO.	PART NO.	DESCRIPTION
1	532 15 00-71	Transaxle w/cas Hydro 310-0650	53	532 10 57-10	Link, Clutch
2	532 14 24-31	Spring, Return, Brake	55	532 10 57-09	Spring, Return, Clutch
3	532 14 39-95	Pulley, Transaxle Hydro 750 LT	56	874 78 06-20	Bolt, Fin Hex
8	532 14 10-02	Rod Shift Hydro LT	57	532 14 02-94	V-Belt, Ground Drive
9	532 13 71-40	Clutch Electric	59	532 14 03-12	Keeper, Center Span
10	876 02 04-16	Pin Cotter 1/8 x 1 CAD	60	532 12 12-18	Keeper Belt Engine
15	874 78 05-44	Bolt Hex 5/16-18 UNC Flghd	61	874 78 06-12	Screw Thdrol. 3/8-16 x 3/4 Ty. TT
16	873 80 05-00	Nut Lock Hex W/Ins. 5/16-18 UNC P	62	532 12 48-72	Cover, Pedal Premium
17	532 12 61-97	Washer 1-1/2 OD x 15/32 ID x .250	63	532 14 01-89	Pulley, Engine
18	874 78 06-16	Bolt Fin Hex 3/8-16 UNC x 1 Gr. 5	65	810 04 07-00	Washer Lock Hvy HLCL Spr 7/16
19	873 68 06-00	Nut Lock Hex W/Ins 3/8-16 UNC	68	532 10 57-30	Keeper Belt Engine
20	532 15 02-80	Bolt,Hex7/16-20x4-1/4Ga.51.38	69	532 14 24-32	Screw
21	532 14 08-45	Knob Deluxe 1/2-13 UNC BLK/BLK	71	532 14 01-57	Strap Torque R.H. Hydro 18/20"T
22	532 14 56-27	Rod, Brake Hydro	73	532 14 01-58	Strap Torque L.H. Hydro 18/20"T
23	532 13 71-41	BracketAsm Mtg CL	74	532 12 11-99	Spacer, Split
24	873 22 06-00	Nut Hex Jam 3/8-16 UNC	75	532 12 17-49	Washer 25/32 x 1-1/4 x 16 Ga.
25	532 10 68-88	Spring, Brake Rod	76	812 00 00-01	E-Ring
26	734 11 72-01	Washer	77	532 12 35-83	Key, Square
27	876 02 04-12	Pin Cotter 1/8 x 3/4 CAD.	78	532 12 17-48	Washer 25/32 x 1-5/8 x 16 Ga.
28	532 14 52-04	Rod, Parking Brake	81	532 14 01-54	Shaft Asm. Cross Hydro 20" Tires
29	532 07 16-73	Cap, Parking Brake	82	532 12 37-82	Spring Torsion T/A
30	532 13 08-07	Bracket, Transaxle	83	734 11 77-71	Washer 17/32 x 3/4 x 16 Ga.
31	532 12 72-75	Keeper Belt L.H.	84	532 14 05-48	Rod, Tie Hydro 20" Tires SPH Ball 4.75
32	874 78 05-12	Bolt Hex HD 5/16-18 UNC x 3/4	86	532 07 12-08	Bushing Rod Strig. 629/632 ID
33	872 14 05-06	Bolt Carriage 5/16-18 UNC x 3/4	87	734 11 85-71	Washer 21/32 x 1-1/4 x 16 Ga.
34	532 14 90-01	Shaft, Foot Pedal	88	812 00 00-08	Ring Klip #5304-62
35	532 12 01-83	Bearing, Nylon	89	532 13 99-88	Console, Hydro YT/GT Fender
36	734 11 85-71	Washer	91	874 78 05-36	Bolt Fin Hex 5/16-18 x 2-1/4
37	532 00 28-82	Pin, Roll	92	874 78 05-24	Bolt Fin Hex 5/16-18 UNC x 1-1/2
38	532 12 36-74	Pulley, Idler, Flat	93	532 14 25-64	Line Fuel Hydro 4"
39	874 76 06-44	Bolt	94	532 14 04-62	Fan, Hydro 7"
40	532 00 44-70	Spacer, Split	95	532 14 46-43	Control Asm. Bypass Hydro
41	532 10 90-70	Keeper, Belt Retainer	96	532 00 44-97	Retainer Spring 1 " Zinc/Cad
42	734 11 72-01	Washer 13/32 x 13/16 x 12 Ga.	97	532 14 04-69	Keeper Belt R.H. Hydro 0750.18/20"
43	734 11 72-01	Washer	98	873 22 06-00	Nut Keps Hex 3/8-16 UNC
44	532 10 57-06	Bearing,Nylon	100	734 11 63-01	Washer11/32x3/4x16Ga.
45	532 11 08-12	Washer, Hardened	102	532 14 13-22	Washer Belleville .501 D x 1.50D
46	812 00 00-39	Ring, Klip	103	873 61 08-00	Nut hex Jam Toplock 1/4-20 Unf
47	532 12 77-83	Pulley, Idler, V-Groove Plastic	104	532 14 01-56	Arm, Control Hydro
48	532 12 37-89	Bellcrank Assembly	105	871 07 05-16	Screw Cap Hex 5/16 x 18 x 1
49	532 12 32-05	Retainer, Belt Style Spring	106	874 78 05-20	Bolt Fin Hex 5/16-18 UNC x 1-1/4
50	874 78 06-24	Bolt			
51	873 68 06-00	Nut			
52	873 68 05-00	Nut Crown Lock 5/16-18			

# M. REPAIR PARTS

## MOWER DECK



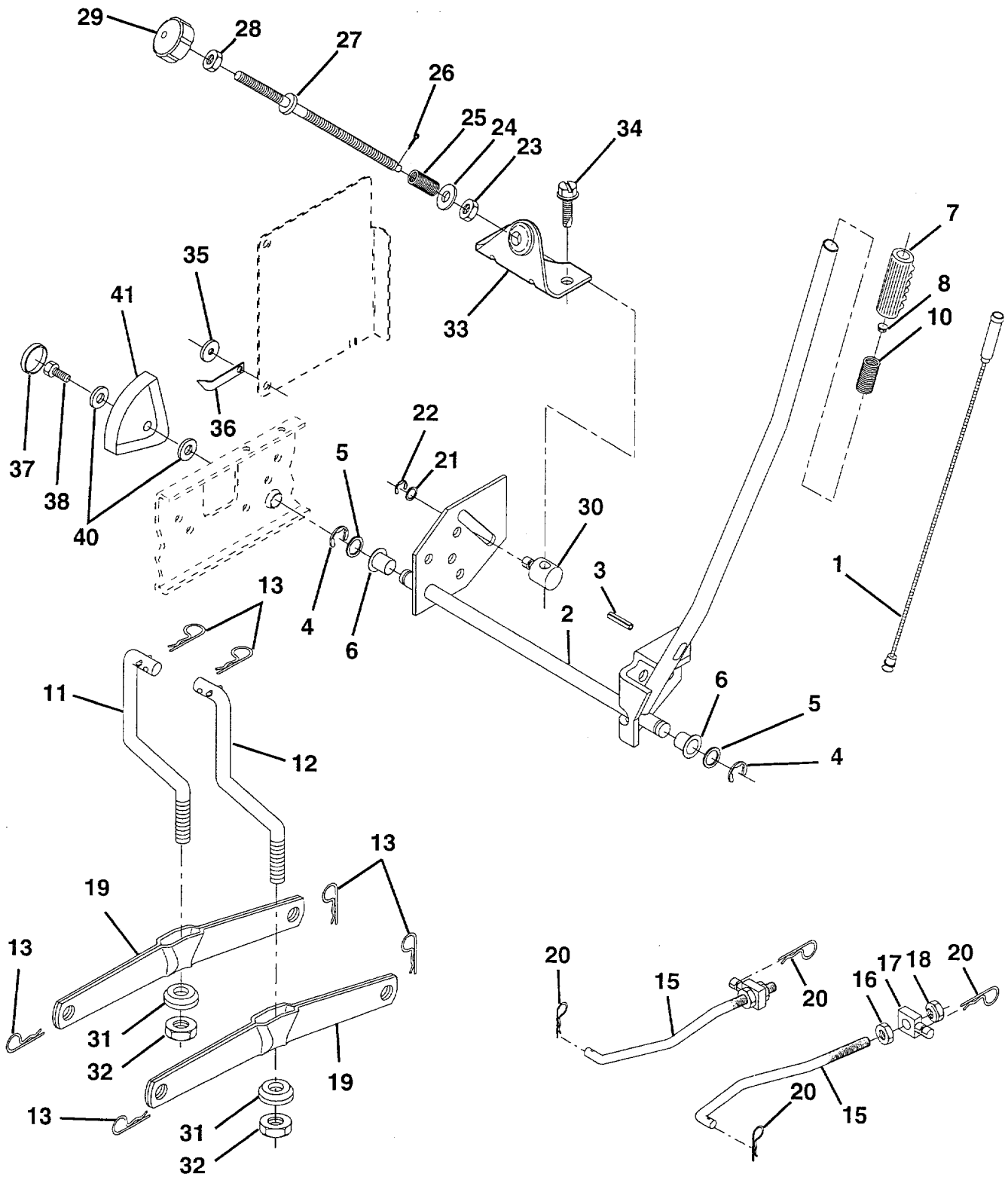
# M. REPAIR PARTS

## MOWER DECK

KEY NO.	PART NO.	DESCRIPTION	KEY NO.	PART NO.	DESCRIPTION
1	532 14 50-08	Deck Asm., Mower 46"	49	873 68 06-00	Nut, Crownlock 3/8-16 UNC
3	532 13 84-57	Bracket Asm., Sway Bar	50	872 14 06-10	Bolt, carriage 3/8-16 x 1-1/2 Gr 5
5	532 08 59-02	Retainer Spring	90	874 78 06-16	Bolt Fin Hex 3/8-16 UNC x 1
6	532 13 08-32	Arm Suspension Rear (Sway Bar)	91	532 13 22-74	Bracket Asm. Noseroller LH
8	532 85 08-57	Bolt, Patched 3/8-24 x 1-1/4 Gr 8	92	873 68 06-00	Nut Lock Hex w/Ins. 3/8-16 UNC
9	810 04 06-00	Washer Lock Hvy Unplated 3/8	93	819 17 14-16	Washer 17/32 x 7/8 x 16 Ga.
10	532 14 02-96	Washer Hard Blade Mower Vented	94	532 13 22-64	Roller Nose 38 & 42
11	532 14 47-67	Blade, 46" Hi Perf	95	532 13 22-73	Bracket Asm. Noseroller RH
12	532 12 98-95	Bearing Ball Mandrel #6204	116	532 14 68-51	Bolt, Shoulder
13	532 13 75-53	Shaft Asm w/Lower Bearing (Includes Key No. 12)	117	532 14 68-50	Gauge Wheel
14	532 13 71-52	HousingMandrel	118	873 68 06-00	Nut, Centerlock 3/8-16 UNC
15	532 11 04-85	Bearing Ball Mandrel	119	734 11 72-01	Washer3/8x7/8 x14 Ga
16	532 14 03-29	Stripper Round Mower			
18	872 14 05-05	Bolt Carriage 5/16-18 x 5/8			
19	532 13 28-27	Bolt, Hex Head, Shoulder 5/16-18			
20	532 14 50-55	Baffle Vortex Mower 46"			
21	873 68 05-00	Nut Crownlock 5/16-18 UNC			
22	532 13 47-53	Stiffener Bracket			
23	532 13 12-67	Bracket Deflector			
24	532 10 53-04	Cap Sleeve			
25	532 14 92-87	Spring Torsion Deflector			
26	532 11 04-52	Nut, Push			
27	532 14 53-25	Shield Deflector Mower			
28	734 11 63-01	Washer 11/32 x 5/8 x 16 Ga.			
29	532 13 14-91	Rod Hinge			
30	532 13 87-76	Screw Hex Head Thdrol			
31	532 12 99-63	Washer Spacer Mower Vented			
32	532 12 92-07	Pulley Mandrel			
33	532 13 72-66	Nut, Flg Top Lock Cntr. 9/16			
34	532 14 49-45	Anchor, Spring Deck 46"			
35	817 49 06-28	Screw, Thdroll 3/8-16 x 1 -3/4 Tytt			
36	734 11 72-01	Washer 13/32 x 13/16 x 16 Ga			
37	532 13 14-94	Pulley, Idler, Flat			
38	532 13 75-54	Keeper, Belt, Idler			
39	532 14 49-17	Pulley, Idler, Driven			
40	532 13 72-73	Spring, Secondary 44/46/50 Vent			
41	874 78 06-20	Screw, Thdroll 3/8-16 x 1-1/4 Tytt			
42	532 12 20-52	Spacer, Retainer			
43	532 14 49-49	Arm, Idler Secondary			
44	532 13 39-43	Washer, Hardened			
45	532 14 50-59	Cover, Mandrel Deck			
46	532 13 77-29	Screw Thdrol 1/4-20 x 5/8			
47	532 14 49-59	V-Belt, Mower, Secondary			
48	532 14 87-63	V-Belt, Mower, Primary			

# O. REPAIR PARTS

## MOWER LIFT



# O. REPAIR PARTS

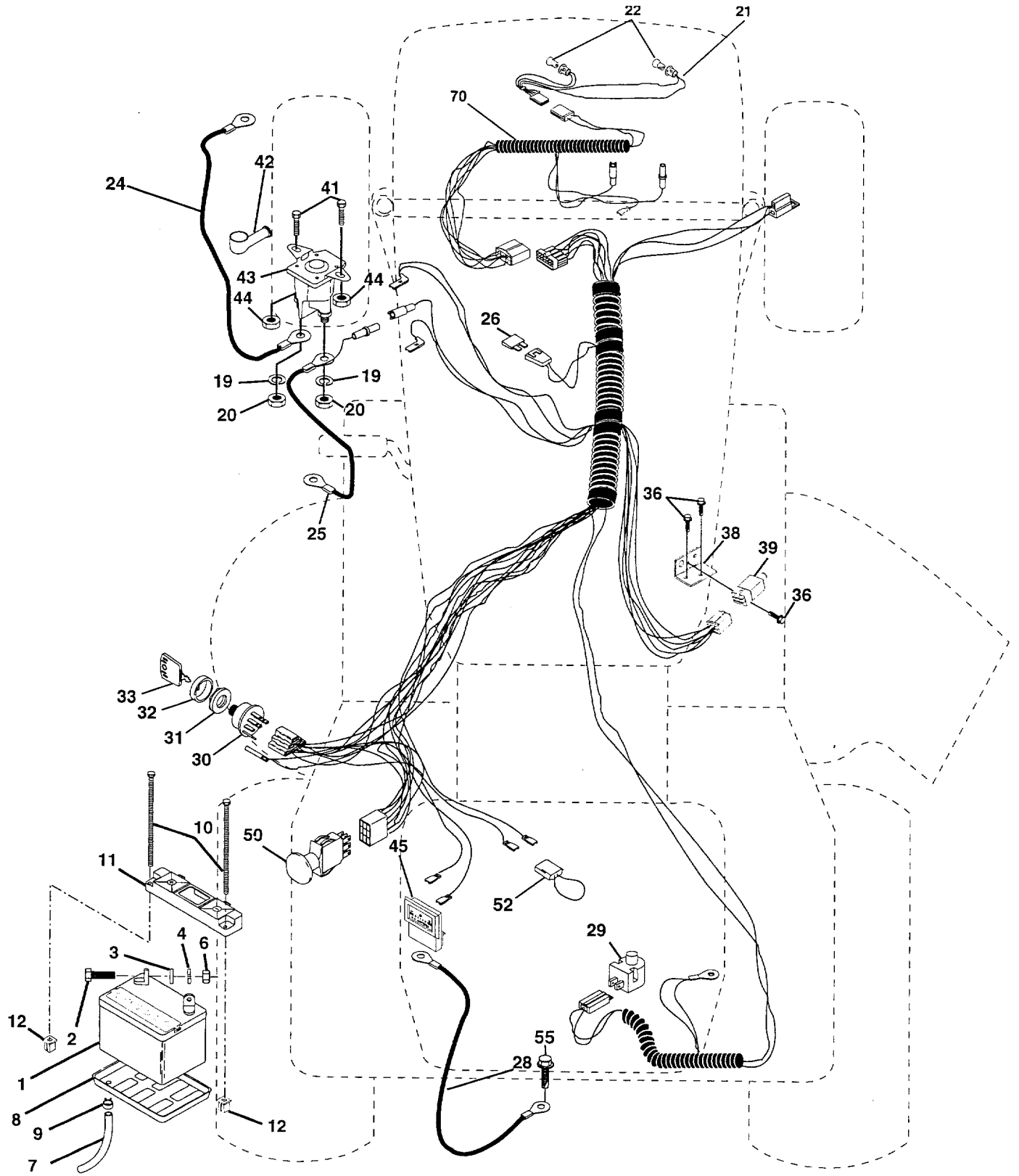
## MOWER LIFT

KEY NO.	PART NO.	DESCRIPTION
1	532 13 69-73	Wire Asm Inner W/plunger 17.32
2	532 14 51-17	Shaft Asm Lift R.H. w/Inf W/T
3	532 10 57-67	Pin Groove 1 500 Zinc
4	812 00 00-02	E Ring #5133-62
5	819 21 16-21	Washer 21/32 x 1 x 21 Ga.
6	532 12 01-83	Bearing Nylon Blk 629 Id
7	532 12 56-31	Grip Handle Bicycle
8	532 12 59-25	Button Plunger Black
10	532 12 25-12	Spring Cprsn 3 750 Oiled
11	532 13 98-65	Link Lift L.H. Fixed Length
12	532 13 98-66	Link Lift R.H. Fixed Length
13	532 08 59-02	Retainer Spring
15	532 12 72-18	Link Front
16	873 22 08-00	Nut Jam Hex 1/2-13 UNC
17	532 13 01-71	Trunnion Blk Zinc
18	873 80 08-00	Nut Lock W/wsh 1 /2-13 UNC
19	532 13 98-68	Arm Suspension Rear
20	532 00 31-46	Retainer Spring
21	734 11 77-71	Washer 15/32 x 3/4 x 16 Ga.
22	812 00 00-37	Ring Klip #5304-37
23	532 11 08-07	Nut Special
24	734 11 71-71	Washer 13/32 x 5/8 x 16 Ga.
25	532 12 48-74	Spring 2-1/8"
26	876 02 03-08	Pin Cotter 3/32 x 1/2
27	532 12 69-71	Rod Adj Lift Zinc 7.49 Wrk Lg
28	873 22 06-00	Nut Hex Jam 3/8-16 UNC
29	532 13 80-57	Knob Inf 3/8-16 UNC Blk W/sym
30	532 11 08-10	Trunnion Dp Stop Dbl Thds PLT
31	532 14 03-02	Bearing Pvt Lift Spherical
32	873 61 06-00	Nut Nylock 3/8-24
33	532 14 01-68	Bracket Stop Inf Hgt
34	817 49 06-08	Screw Thdrol 3/8-16 x 1/2 TY-TT
35	532 12 05-29	Washer Nylon .44x .75x .032
36	532 12 39-33	Pointer Pnt Height ind .505
37	532 12 39-35	Plug Hole Blk 1.485/1.515 Dia
38	874 78 05-12	Screw Thdrol 5716-18 x 3/4
40	819 11 24-10	Washer 11/32 x 1-1/2 10 Ga
41	532 12 39-34	Scale Ind. Height Blk

# P.

## REPAIR PARTS

### ELECTRICAL





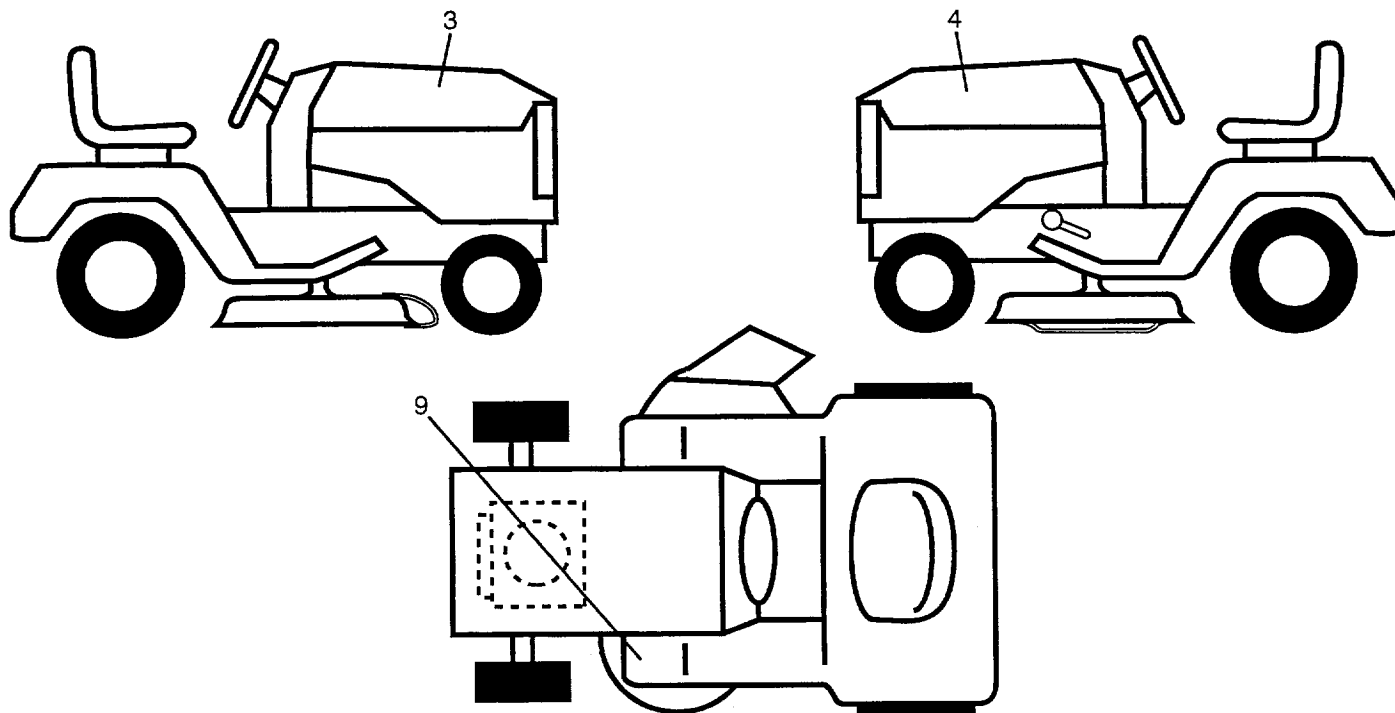
# P. REPAIR PARTS

## ELECTRICAL

KEY NO.	PART NO.	DESCRIPTION
1	532 14 61-40	Battery 12 Volt 30 Amp
2	874 76 04-12	Bolt, Hex Head 1/4-20 x 3/4
3	734 11 53-01	Washer 9/32 x 5/8 x 16 Ga.
4	810 04 04-00	Washer, Lock Hvy Helical 1/4
6	873 22 04-00	Nut, Fin Hex 1/4-20 UNC
7	532 00 76-97	Tube Plastic 46"
8	532 00 76-03	Case Tray Brty 7.80 x 5.25 Blk
9	532 10 95-96	Clamp, Hose Olive
10	532 14 52-11	Bolt Btr Frt 1/4-20 x 7.5 Zinc
11	532 14 52-09	Holddown Battery Dash Mount
12	532 14 57-69	Nut, Push Nylon 1/4" Battery Frt.
19	810 04 04-00	Washer, Lock 1/4
20	873 22 04-00	Nut, Jam, Hex 1/4-20 UNC
21	532 14 74-30	Harness, Asm Light W/4152J
22	532 00 41-52	Bulb, Light#1156
24	532 00 47-99	Cable, Battery 6 Ga 11 " red
25	532 14 61-48	Cable, Battery 6 Ga 22" w/16W
26	532 10 88-24	Fuse 30 Amp Auto Green
28	532 14 54-91	Cable, Ground 21" Blk 6 Ga 90T
29	532 12 13-05	Switch, Plunger Nc Gray
30	532 14 03-01	Switch, Ign 4 pos w/lights
31	532 12 42-11	Nut, Ignition
32	532 14 12-26	Cover, Switch, Ignition
33	516 84 46-00	Key Ign Modledeed Generic
36	817 02 10-08	Screw, Tap Hex #10-24 UNC x 1/2
38	532 14 03-36	Bracket, Switch, Interlock
39	532 10 95-53	Switch, Interlock Clutch Gry 4 Term
41	874 78 04-08	Bolt, Blk Fin Hex 1/4-20 x 1/2
42	532 13 15-63	Cover, Terminal Red
43	532 14 61-54	Solenoid
44	873 68 04-00	Nut, Hex, Keps 1/4-20 UNC
45	532 12 28-22	Ammeter Rectangular 15 Amp
50	532 14 04-04	Switch, PTO 3 PTD Black
52	532 14 19-40	Protection Wire Loop
55	817 49 05-08	Screw Thdrol 5/16-18 x 1/2 Typ
70	532 14 18-61	Harness, Engine

# R. REPAIR PARTS

## DECALS

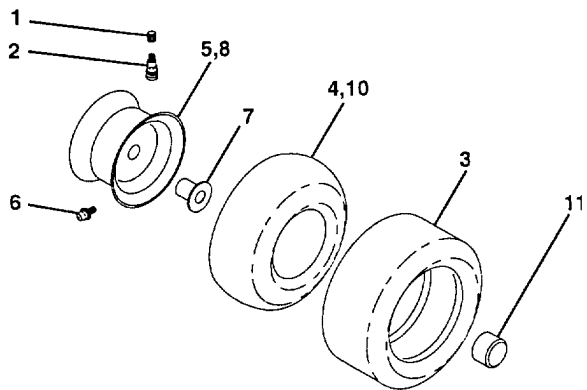


KEY NO.	PART NO.	DESCRIPTION
3	532 15 22-47	Decal Hood RH
4	532 15 22-48	Decal Hood LH
9	532 10 18-92	Decal Clutch/Brake Eng/Fr

# R.

## REPAIR PARTS

### WHEELS & TIRES



KEY NO.	PART NO.	DESCRIPTION
1	532 05 91-92	Cap Valve Tire
2	532 06 51-39	Stem Valve
3	533 30 11-40	Tire F Ts 15 x 6 0-6 Service
4	532 05 99-04	Tube front (Service Item Only)
5	532 13 83-36	Rim Asm 6" front Silver Service
6	532 00 02-78	Fitting Grease (Front Wheel Only)
7	532 00 90-40	Bearing Flange (Front Wheel Only)
8	532 10 61-08	Rim Asm 8"rear Silver Service
10	532 00 71-52	Tube Rear (Service Item Only)
11	532 10 47-57	Cap, Hub Axle Blk 1.50 x 1.00

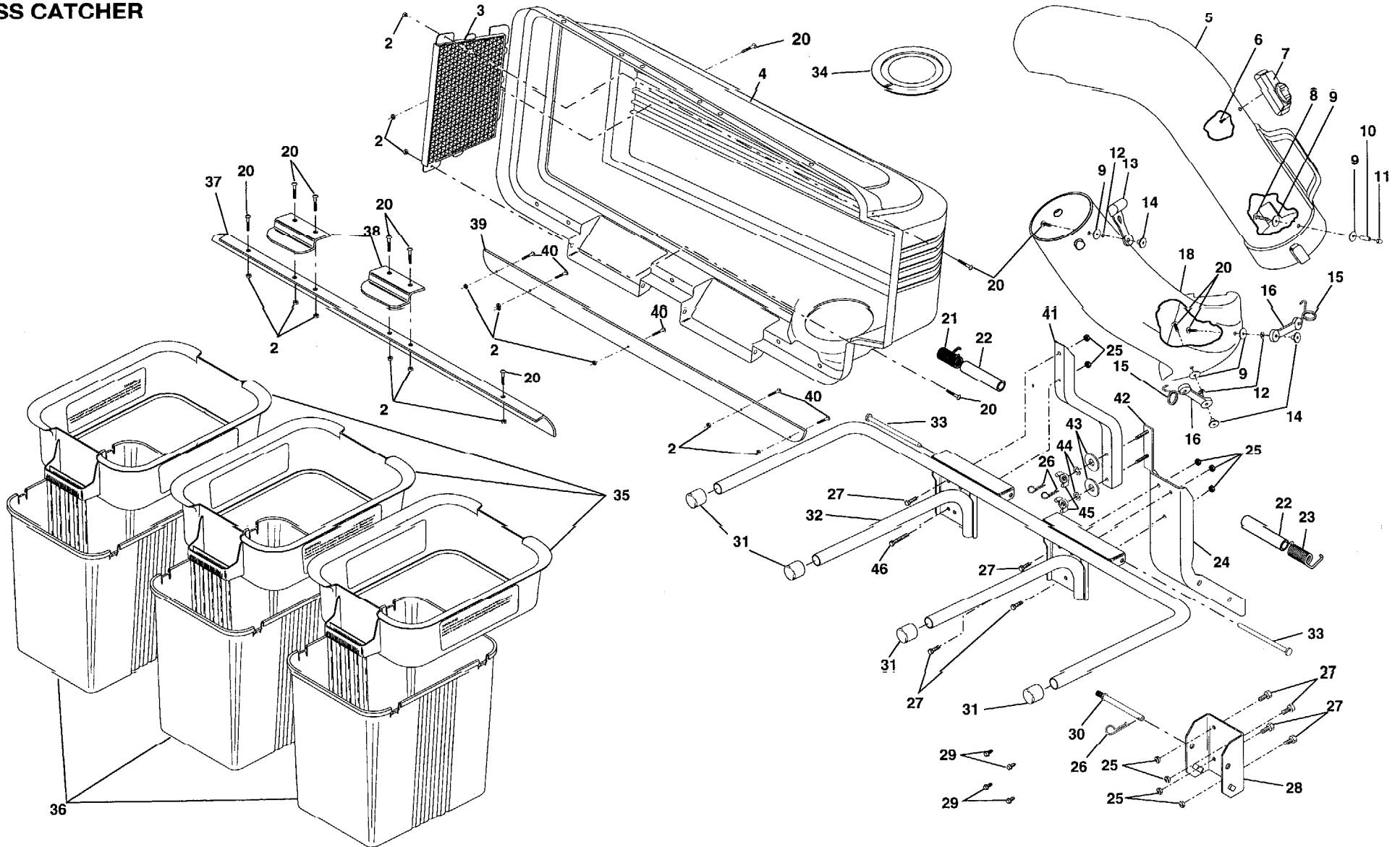
# S. REPAIR PARTS

## GRASS CATCHER

KEY NO.	PART NO.	DESCRIPTION	KEY NO.	PART NO.	DESCRIPTION
2	532 06 91-80	Nut, Crownlock #10-24	25	873 68 05-00	Locknut 5/16 x 18
3	532 12 75-33	Screen, Cover	26	532 08 59-02	Spring, Retainer
4	532 13 46-78	Cover	27	874 78 05-12	Bolt, Hex 5/16-18 x 3/4
5	532 12 68-40	Chute, Upper	28	532 13 08-89	Bracket, Mounting
6	818 02 10-08	Screw, Special "10-14 x 1/2	29	817 49 05-08	Screw 5/16-18 x 1/2 Hex, Self Tapping
7	532 14 05-72	Dump Bag Indicator	30	532 13 11-37	Pin, Support Post
8	874 98 10-20	Screw, "10-24 x 1-1/8	31	532 13 44-96	Plug, Tubing End
9	819 06 12-16	Washer 3/16 x 3/4 x 16 Ga.	32	532 13 46-39	Bagger, Frame
10	532 00 72-06	Spacer, Split	33	532 12 86-00	Pin, Hinge
11	532 06 08-67	Nut, Acorn "10-24	34	532 12 75-34	Gasket, Cover
12	810 07 10-00	Washer, Lock	35	532 12 95-85	Container, Top
13	532 10 98-08	Latch, Chute	36	532 12 95-86	Container, Bottom
14	532 00 20-29	Nut, weld	37	532 13 46-37	Seal, Cover
15	532 13 07-60	Latch, Hook	38	532 13 08-95	Latch Handle, Cover
16	532 13 07-59	Rubber, Latch	39	532 13 98-54	Strip, Seal
18	532 14 55-78	Chute, Lower	40	871 14 10-08	Screw # 10-24 x 1/2
20	874 29 10-10	Screw "10-24 x 5/8	41	532 13 43-57	Bagger, Support Tube
21	532 13 27-96	Spring, Cover LH (Black)	42	532 14 51-86	Reinforcement Plate
22	532 13 32-35	Spacer,Cover	43	819 11 24-10	Washer11/32x1.5x10Ga
23	532 13 29-83	Spring, Cover RH (Gray)	44	810 04 05-00	Washer, Lock
24	532 12 68-13	Post, Support	45	532 12 86-38	Nut, Wing
			46	874 76 05-36	Bolt, Hex 5/16-18 x 2-1/4
			--	532 10 50-70	Bag, 3.0 mil. 30 Gallon Trash (not included)

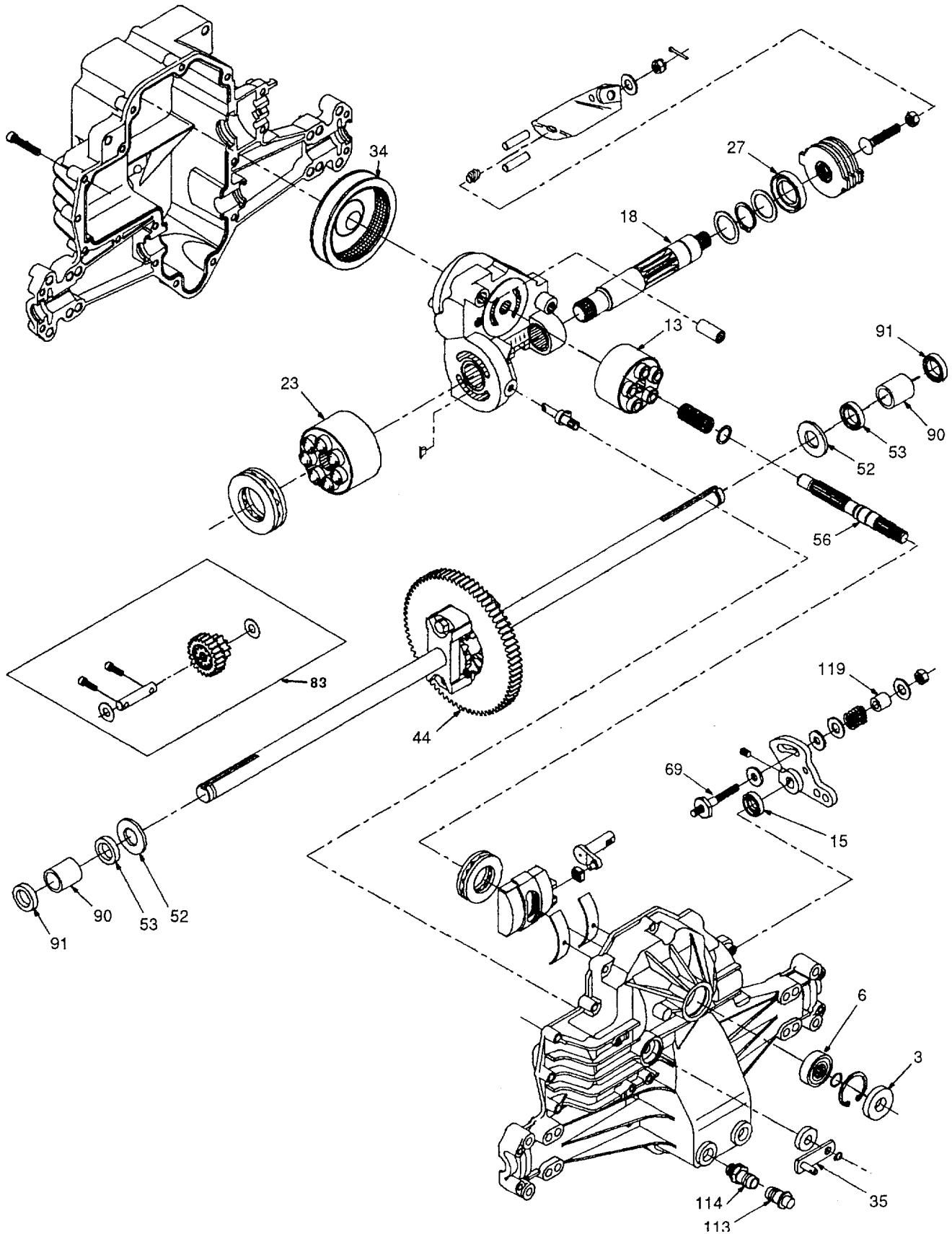
# S. REPAIR PARTS

## GRASS CATCHER



# T. REPAIR PARTS

HYDRO GEAR TRANSAXLE - MODEL NUMBER 319-0650



# T.

## REPAIR PARTS

### HYDRO GEAR TRANSAXLE - MODEL NUMBER 319-0650

KEY NO.	PART NO.	DESCRIPTION
3	532 14 29-32	Seal, Lip
6	532 14 29-34	Bearing, Shaft Ball
13	532 14 29-38	Block, Cylinder Assembly
15	532 14 29-40	Seal, Lip
18	532 15 07-72	Shaft, Motor
23	532 14 29-44	Block, Cylinder Assembly
27	532 14 29-48	Seal, Lip 26 x 42 x 8
34	532 14 29-51	Mil Filter Element
35	532 14 29-52	Arm, Bypass
44	532 15 08-29	Differential Assembly
52	532 14 29-91	Washer 3/4 x 1.5 x .13
53	532 14 29-61	Seal .75 x 1.25 x .250
56	532 14 29-63	Shaft, Input
69	532 14 46-10	Stud 5/16-24
83	532 14 29-71	Jackshaft Assembly
90	532 14 29-75	Sleeve Bearing
91	532 14 29-76	Seal, Wiper
113	532 14 29-17	Cap, Vent Assembly
114	532 14 29-18	Fitting, O-Ring Assembly
119	532 14 29-80	Spacer