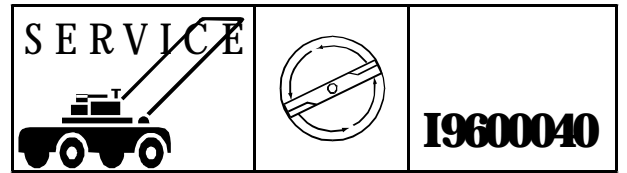


Jonsered



IPL, LTH15 42", 1996-01

LTH15 42"

Spare parts

Ersatzteile

Pièces détachées

Reserve onderdelen

Repuestos

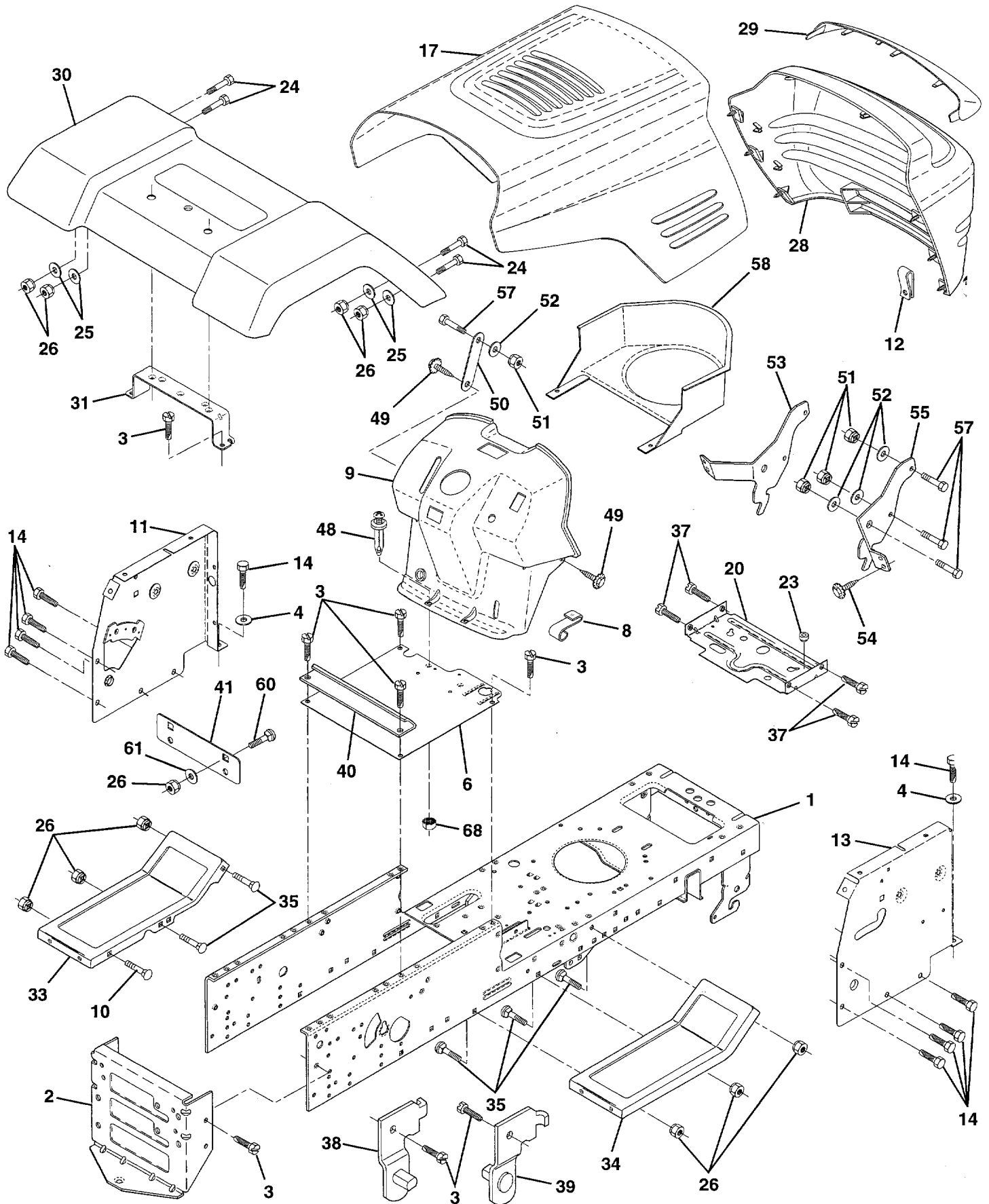
Reservdelar

Product No: 954 82 01-71

A.

REPAIR PARTS

ENCLOSURES



A.

REPAIR PARTS

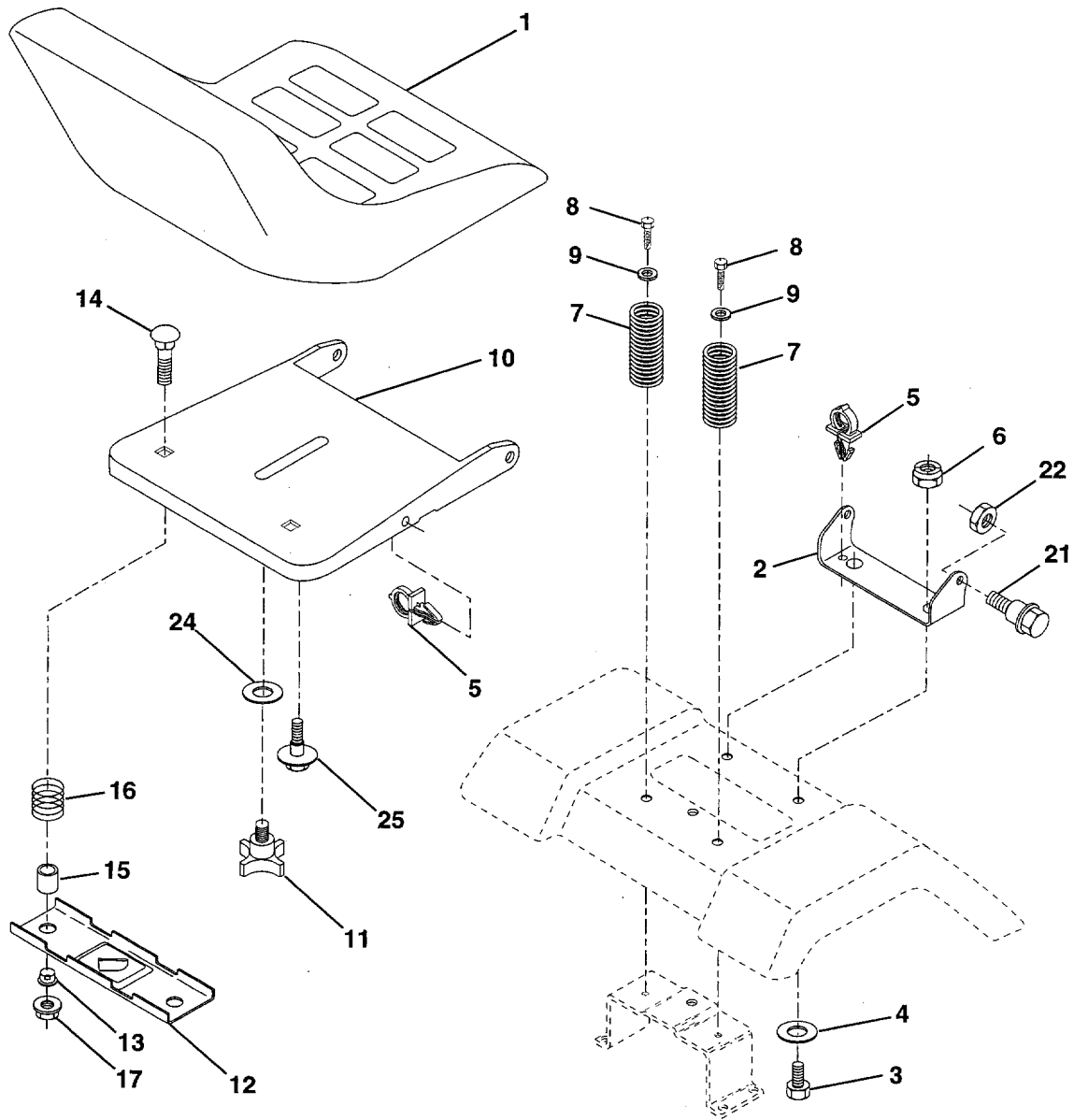
ENCLOSURES

KEY NO.	PART NO.	DESCRIPTION
1	532 14 55-01	Chassis Wldmt. 11 Ga
2	532 14 03-56	Drawbar Stretch 94
3	874 78 06-12	Screw, 3/8-16 x 3/4 Ty-Tt
4	819 13 12-16	Washer 13/32 x 3/4 x 16 Ga.
6	532 14 52-06	Saddle Lt Shift Fender
8	532 12 64-71	Clip, Insulator.406 Mtg Hole
9	532 14 24-66	Dash Private Label
10	872 11 06-08	Bolt, Rdhd. Sqnk 3/8-16 x 1
11	532 14 69-56	Panel Asm. Dash LH
12	532 14 56-60	Clip Tinnerman Grille P/L
13	532 14 69-62	Panel Dash RH
14	817 49 06-08	Screw Thdril. 3/8-16 x 1/2 Ty-Tt
17	532 15 07-60	Hood Pnt w/Side Louvers
20	532 14 52-10	Plate Mtg Battery/Fuel Tank 95
23	532 12 40-28	Bushing Snap Nyl. Blk Fuel Line
24	874 78 06-16	Bolt, Fin Hex 3/8-16 UNC x 1 Gr. 5
25	734 11 72-01	Washer 13/32 x 13/16 x 12 Ga.
26	873 68 06-00	Nut, Lock Hex w/Ins 3/8-16 UNC
28	532 15 06-71	Grill W/Clips
29	532 14 51-99	Lens Grille
30	532 14 12-83	Fender Pnt Ms-505
31	532 13 99-76	Bracket Fender
33	532 14 91-39	Footrest Pnt. LH
34	532 14 91-40	Footrest Pnt. RH
35	872 11 06-06	Bolt RdHd Sht. Sqnk. 3/8-16 x 3/4
37	817 49 05-08	Screw Thdrol 5/16-18 x 1/2
38	532 13 98-86	Bracket, Asm. Pvt. LH Mwr. Rear
39	532 13 98-87	Bracket, Asm. Pvt. RH Mwr. Rear
40	532 13 99-77	Spacer Fender Raised Lt
41	532 13 99-78	Plate Extension Fender Lt
48	532 13 80-96	Rivet Push Plate D Plastic Blk
49	874 76 04-12	Screw Hex Wsh. Thdrol. 1/4-20 x 3/4
50	532 14 27-79	Brace
51	873 68 04-00	Nut, Lock Hex W/Ins. 1/4-20
52	819 09 14-16	Washer 9/32 x 7/8 x 16 Ga.
53	532 14 52-01	Bracket Grille Pickoff LH
54	817 03 08-14	Screw Lock Spider #8 x 7/8
55	532 14 52-02	Bracket Grille Pickoff RH
57	874 76 04-12	Bolt Fin Hex 1/4-20 x 3/4
58	532 15 01-27	Air Duct Private Label
59	532 00 91-51	Bushing Snap Split Blk
60	872 14 06-06	Bolt Rdhd Sqnk 3/8-16 UNC x 3/4
61	819 17 14-16	Washer 17/32 x 7/8 x 16 Ga.
68	873 68 04-00	Nut Keps Hex 1/4-20 UNC
--	532 00 54-79	Plug Button Blk.359 Dia. Choke

C.

REPAIR PARTS

SEAT ASSEMBLY



C.

REPAIR PARTS

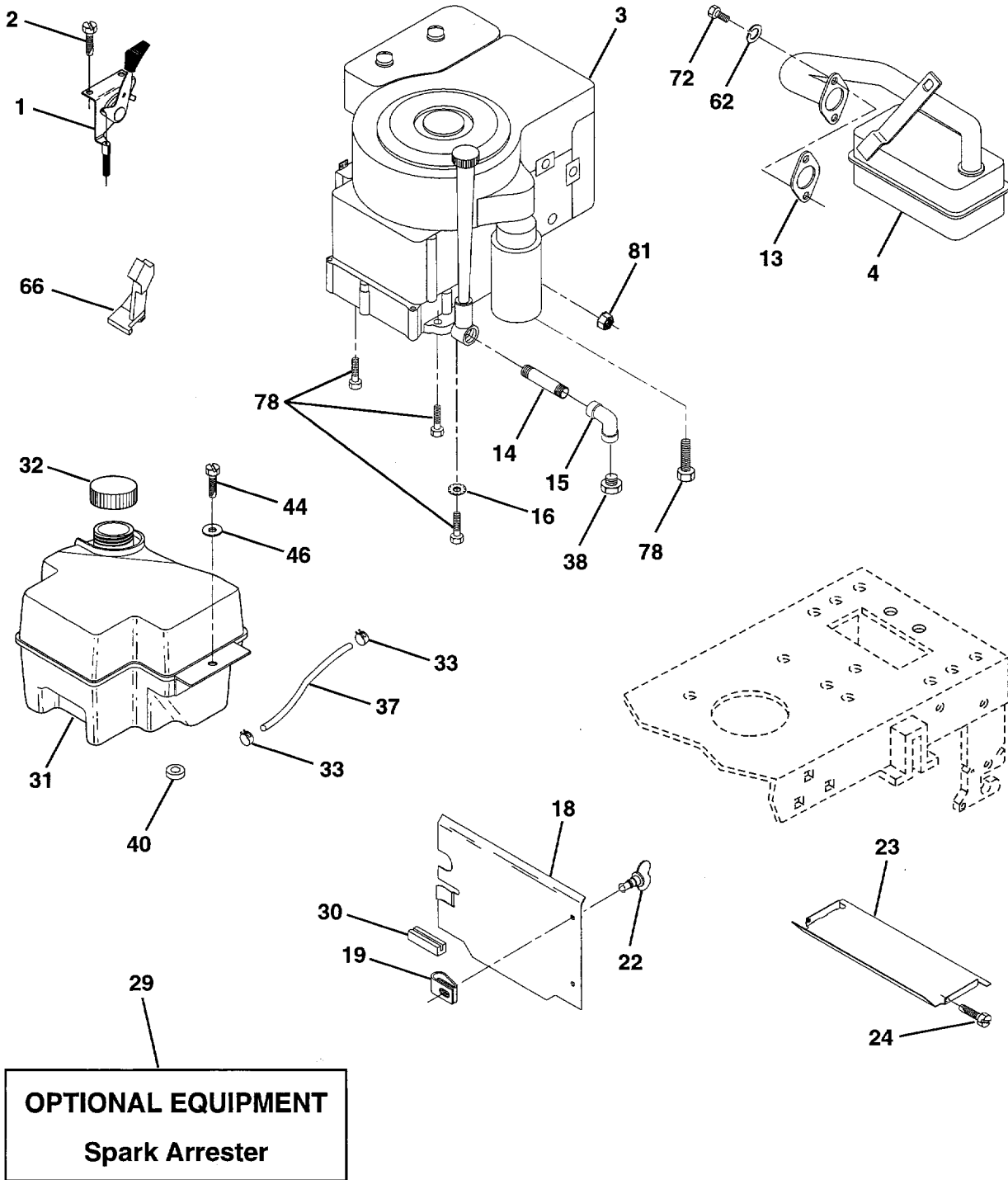
SEAT ASSEMBLY

KEY PART NO.	PART NO.	DESCRIPTION
1	532 12 74-40	Seat V560BlklbikStd
2	532 14 05-51	Bracket Pivot Seat 8 720
3	874 78 06-16	Bolt Hex 3/8-16 UNC X 1
4	819 13 16-10	Washer 13/32 x 1 x 10 Ga.
5	532 14 50-06	Clip Push-In Hinged
6	873 68 06-00	Nut Lock Hex w/Ins. 3/8-16 UNC
7	532 12 41-81	Spring Seat Cprsn 2 250 Blk Zi
8	874 78 06-16	ScrewThdrol3/8-16xl Ty-Tt
9	819 13 16-14	Washer 13/32 x 1 x 14 Ga.
10	532 14 05-52	Pan Seat
11	532 12 00-68	Knob Seat 1/2-13 UNC
12	532 12 12-46	Bracket Mounting Switch
13	532 12 12-48	Bushing Snap Blk Nyl 50 Id
14	872 05 04-11	Bolt Rdhd Sht Nk 1/4-20 x 1-3/8
15	532 12 12-49	Spacer Split 28 x 88 Zinc
16	532 12 37-40	Spring Cprsn 1 310 Blk Pnt
17	873 68 04-00	Nut Lock 1/4 Lge Flg Gr 5 Zinc
21	532 13 98-88	Bolt Shoulder 5/16-18 UNC Blkz
22	873 68 05-00	Nut Crown Lock 5/16-18
24	819 17 19-12	Washer 17/32 x 1-3/16 x 12 Ga.
25	532 12 70-18	Bolt Shoulder 5/16-18 x 62

F.

REPAIR PARTS

ENGINE



F.

REPAIR PARTS

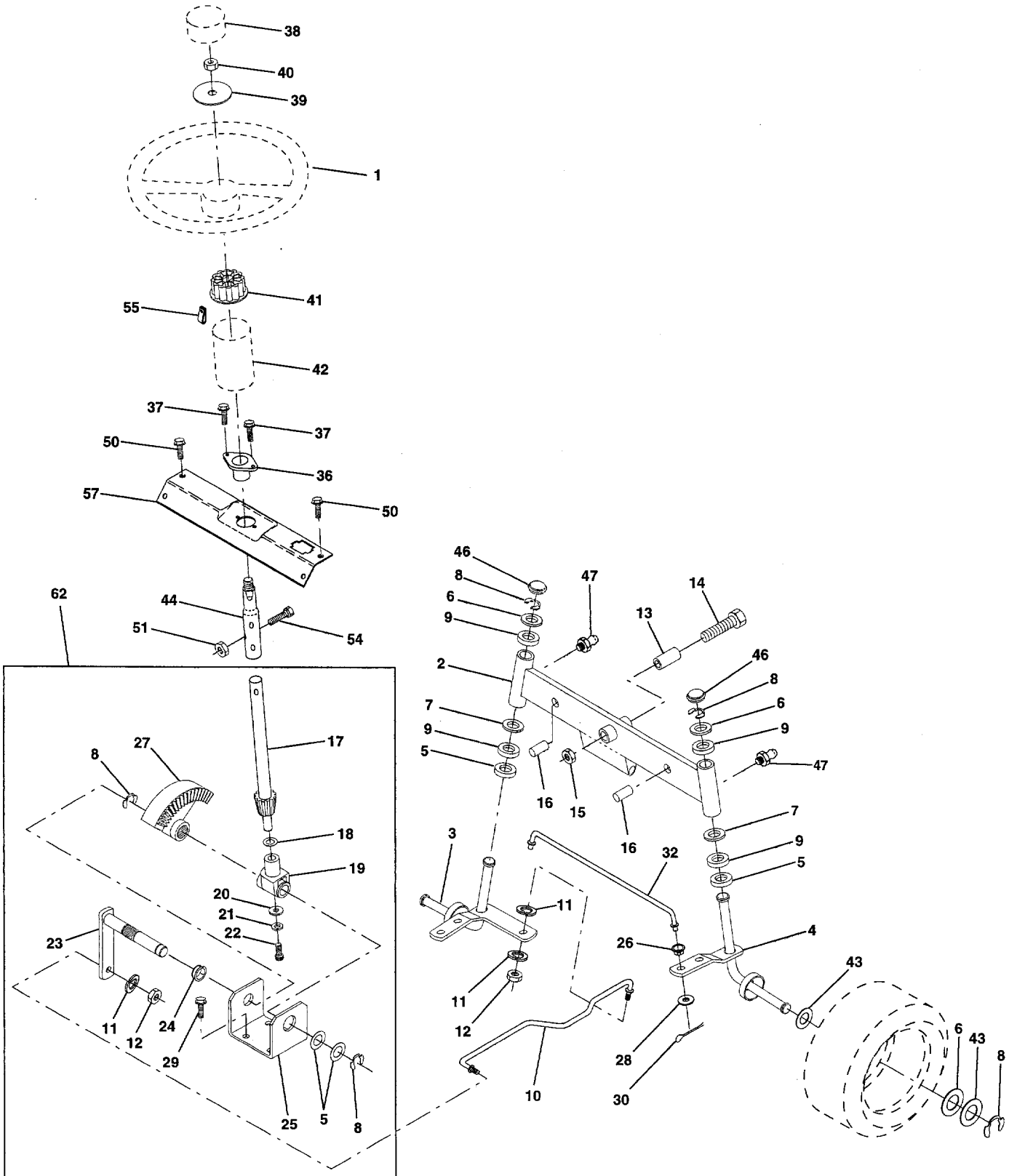
ENGINE

KEY PART NO.	PART NO.	DESCRIPTION
1	532 14 13-59	Control Th/ch RH Blk
2	874 78 04-10	Screw Hex Thd Cut 1/4-20 x 5/8 T
3	-----	Engine B&S 14.5 HP Icq Dual 1 Vt, Model No. 287707
4	532 13 73-52	Muffler LT B&S 14HP Ic/ohv
13	532 27 22-93	Gasket Eng 1 313 Id Tin Plated
14	813 28 03-24	Nipple Pipe 3/8 Npt x 3"
15	813 20 03-00	Elbow Std 90 Degree 3/8-18 Npt
16	810 04 06-00	Washer Lock Ext Tooth 3/8
18	532 13 67-18	Shield Heat LT
19	532 10 58-39	Receptacle 1/4 Turn Shield Dacroitized
22	532 14 97-93	Stud 1/4 Turn W/Bushing Plst
23	532 12 89-53	Shield Heat Browning LT/YT
24	817 02 10-08	Screw Tap Hex #10-24 UNC x 1/2
29	532 13 71-80	Kit Spark Arrestor
30	532 12 70-57	Pinch Weld Hood Black 2.00
31	532 14 02-80	Tank Fuel Front 2 00
32	532 14 05-27	Cap Asm Fuel Top Vented N/Lang
33	532 12 34-87	Clamp Hose Black
37	532 13 70-40	Line Fuel 20" Front Fuel Tank
38	-----	Plug Oil Drain (Order From Engine Manufacturer)
62	810 04 05-00	Washer Lock Hvy Hlcl Spr 5/16
66	532 12 79-51	Stop Throttle
72	871 07 05-12	Screw Hexhd Cap 5/16-18 x 3/4
78	874 78 06-20	Screw Thdrol 3/8-16 x 1-1/4 TYTT
82	873 22 04-00	Nut Flange 1/4-20 Starter Nut

H.

REPAIR PARTS

STEERING ASSEMBLY



H.

REPAIR PARTS

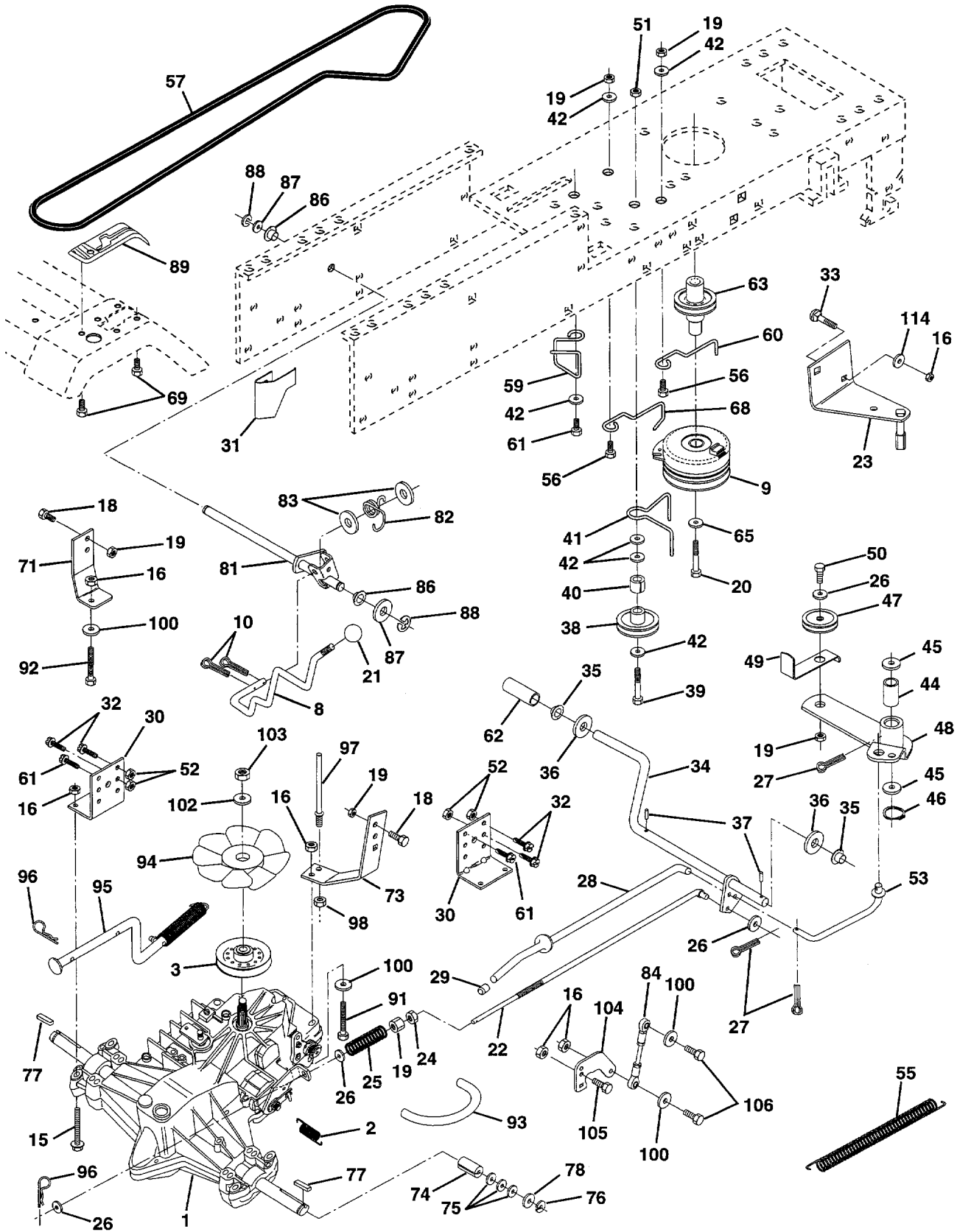
STEERING ASSEMBLY

KEY NO.	PART NO.	DESCRIPTION
1	532 14 00-44	Wheel Steering
2	532 14 20-33	Axle Asm Fr LT
3	532 13 52-27	Spindle Asm L.H.
4	532 13 52-28	Spindle Asm R.H.
5	532 00 62-66	Bearing Race Thrust Harden
6	532 12 17-48	Washer 25/32 x 1-5/8 x 16 Ga.
7	819 27 20-16	Washer 27/32 x 1-1/4 x 16 Ga.
8	812 00 00-29	Ring Klip #5304-75
9	532 00 33-66	Bearing Col Strg Blk
10	532 13 04-68	Link Drag Sol Ball Jt 20 064
11	810 04 06-00	Washer Lock Hvy Hlcl Spr 3/8
12	873 61 06-00	Nut Fin Hex 3/8-24 Unf
13	532 11 04-38	Bushing
14	874 01 10-56	Bolt
15	873 68 10-00	Nut Lock Flange 5/8-11 UNC
16	532 13 26-24	Pin Axle 5/8 x 1 55/1 54 Lg
17	532 14 01-76	Shaft Asm Strg Private Label
18	532 05 70-79	Washer Thrust 515 x 750 x 033
19	532 12 40-35	Support Shaft
20	532 12 66-84	Washer Shim 1/4 x 5/8 x 062
21	810 04 04-00	Washer Lock Hvy Helical 1/4
23	532 12 75-01	Shaft Asm Pittman
24	532 10 98-16	Nyliner Snap In
25	532 12 40-36	Bracket Steering
26	532 12 68-47	Bushing Link Drag Blk LR
27	532 13 68-74	Gear Sector 22 Teeth
28	734 11 72-01	Washer 13/32 x 7/8 x 16 Ga.
29	874 78 06-12	Screw Thdrol 3/8-16 x 3/4 Ty-tt
30	876 02 04-12	Pin Cotter 1/8 x 3/4 Cad
32	532 13 04-65	Rod Tie Wire Form 19 75 Mech
36	532 10 28-03	Bushing Strg
37	817 21 10-08	Screw Slftp #10-16 x 1/2 Ty-B
38	532 14 00-45	Cap Wheel Steer
39	819 13 38-08	Washer 13/32 x 2-3/8 x 8 Ga.
40	873 61 06-00	Nut Lock Center 3/8-24 Unf
41	532 10 48-20	Adaptor Wheel Strg.
42	532 14 02-16	Boot Shaft Steering
43	532 12 14-79	Washer 25/32 x 1 1/4 x 16 Ga.
44	532 14 66-90	Shaft Extension Steering
46	532 12 12-32	Cap Spindle Fr Top Blk
47	532 00 68-55	Fitting Grease
50	874 76 04-12	Screw hex Wsh Thdrol 1/4-20 x 3/4
51	873 80 05-00	Nut Lock Hex W/Ins 5/16-18 UNC
54	874 78 05-20	Bolt Fin Hex 5/16-18 UNC x 1-1/4
55	532 14 02-85	Clip Tinnerman
57	532 14 01-72	Support Shaft Steering
62	532 14 96-86	Steering Assembly

L.

REPAIR PARTS

DRIVE



L.

REPAIR PARTS

DRIVE

Correction:

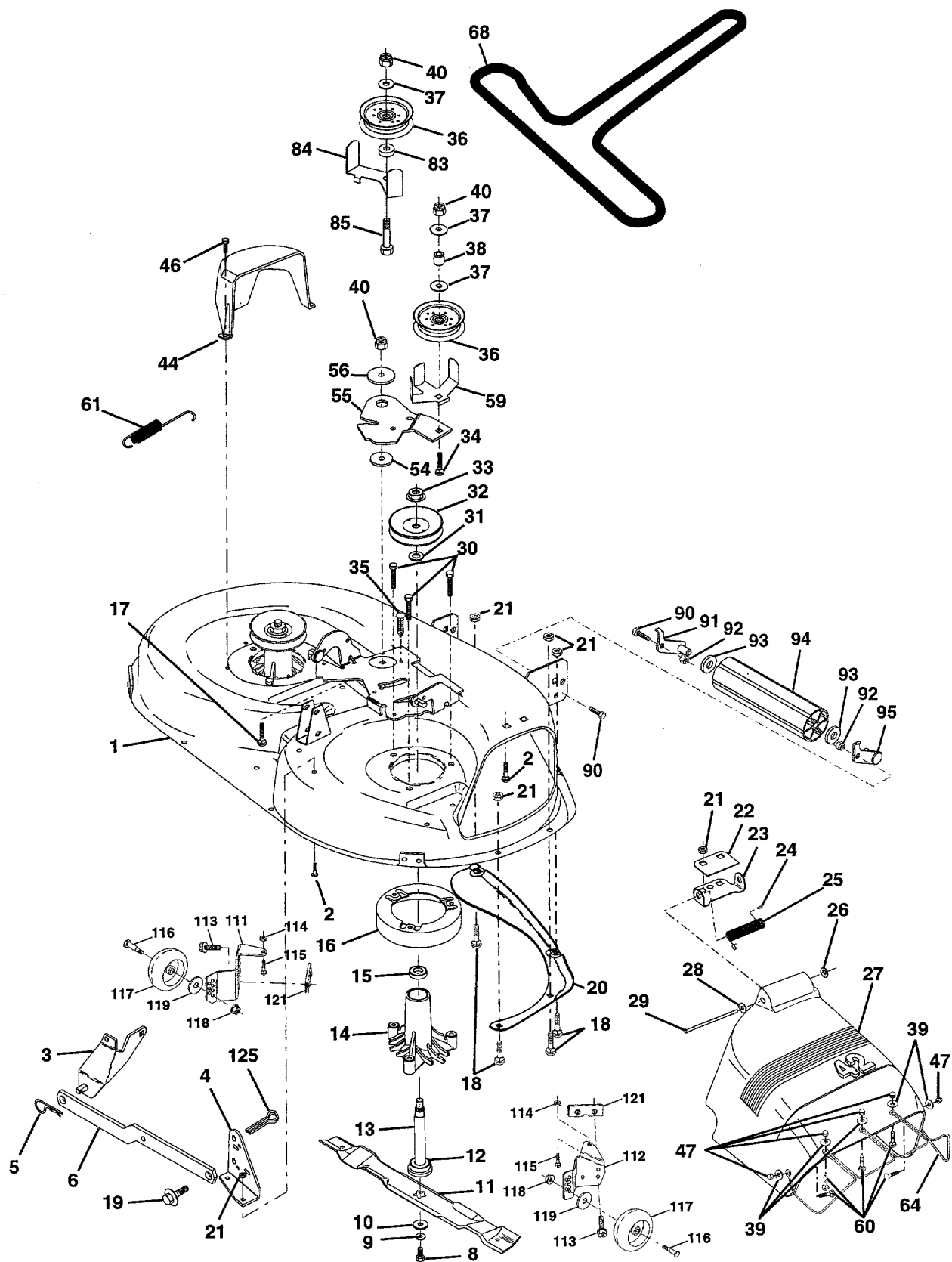
Key No.

9 532 14 50-28

KEY NO.	PART NO.	DESCRIPTION	KEY NO.	PART NO.	DESCRIPTION
1	532 15 00-71	Transaxle Assembly	55	532 10 57-09	Spring Return Clutch
2	532 14 24-31	Spring, Return, Brake	56	874 78 06-20	Bolt
3	532 14 39-95	Pulley Transaxle	57	532 14 02-94	V-Belt Ground Drive
8	532 14 10-02	Rod Shifter Fender YT	59	532 14 03-12	Keeper, Center Span
9	532 13 71-40	Clutch Electric	60	532 12 12-18	Keeper Belt Engine
10	876 02 04-16	Pin Cotter 1/8 x 1 Cad	61	874 78 06-12	ScrewThdrol 3/8-16 x 3/4 Ty. TT
15	874 78 05-44	Bolt Fin Hex 5/16-18 Gr. 5	62	532 12 48-72	Cover, Pedal
16	873 80 05-00	Nut Lock Hex W/Ins. 5/16-18 UNC p	63	532 14 58-68	Pulley, Engine
18	874 78 06-16	Bolt Fin Hex 3/8-16 UNC x 1 Gr. 5	65	810 04 07-00	Washer
19	873 68 06-00	Nut Lock Hex W/Wsh 3/8-16 UNC	68	532 10 57-30	Keeper Belt Engine
20	532 15 02-80	Bolt, Hex 7/16-20 x 4-1/4	69	532 14 24-32	Screw
21	532 12 12-74	Knob Duckhead 1/2-13 UNC BLK/BLK	71	532 14 01-58	Strap Torque LH Hydro 18/20" T
22	532 14 56-27	Rod, Brake Hydro	73	532 14 01-57	Strap Torque RH Hydro 18/20" T
23	532 14 02-75	Bracket	74	532 12 11-99	Spacer, Split
24	873 22 06-00	Locknut	75	532 12 17-49	Washer25/32xl 1/4xl6Gauge
25	532 10 68-88	Spring, Brake Rod	76	812 00 00-01	E-ring
26	734 11 72-01	Washer	77	532 12 35-83	Key Square
27	876 02 04-12	Pin Cotter 1/8 x 3/4 CAD.	78	532 12 17-48	Washer 25/32 x 1-5/8 x 16 Gauge
28	532 14 52-04	Rod, Parking Brake	81	532 14 01-54	Shaft Asm. Cross Hydro 20" Tires
29	532 07 16-73	Cap, Parking Brake	82	532 12 37-82	Spring Torsion T/A
30	532 13 08-07	Bracket, Transaxle	83	734 11 77-71	Washer 17/32 x 3/4 x 16 Ga.
31	532 12 72-75	Keeper Belt LH	84	532 14 05-48	Rod, Tie Hydro 20" Tires
32	874 78 05-12	Bolt Hex Hd 5/16-18 UNC x 3/4	86	532 07 12-08	Bushing Rod Strg 629/632 ID
33	872 14 05-06	Bolt Carriage 5/16-18 UNC x 3/4	87	734 11 85-71	Washer 21/32 x 1-1/4 x 16 Ga.
34	532 14 90-01	Shaft, Foot Pedal	88	812 00 00-08	Ring Klip #5304-62
35	532 12 01-83	Bearing Nylon	89	532 13 99-88	Console, Shift
36	734 11 85-71	Washer	91	874 78 05-36	Bolt Fin Hex 5/16-18 x 2-1/4
37	532 00 28-82	Pin Roll	92	874 78 05-24	Bolt Fin Hex 5/16-18 UNC x 1-1/2
38	532 12 36-74	Pulley Idler Flat	93	532 14 25-64	Line Fuel Hydro 4"
39	874 76 06-44	Bolt	94	532 14 04-62	Fan, Hydro 7"
40	532 00 44-70	Spacer Split	95	532 14 46-43	Control Asm. Bypass Hydro
41	532 10 90-70	Keeper Belt Retainer	96	532 12 47-88	Retainer Spring 1 " Zinc/Cad
42	734 11 72-01	Washer 13/32 x 13/16 x 12 Gauge	97	532 14 04-69	Keeper Belt RH Hydro 0750.18/20"
44	532 10 57-06	Bearing Nylon	98	873 22 06-00	Nut Keps Hex 3/8-16 UNC
45	532 11 08-12	Washer,Hardened	100	734 11 63-01	Washeril/32x3/4xl6Ga.
46	812 00 00-39	Ring Klip #5304-50	102	532 14 13-22	Washer belleville .501 D x 1.50D
47	532 12 77-83	Pulley Idler V Groove	103	873 61 08-00	Nut Hex Jam Toplock 1/2-20 Unf
48	532 12 37-89	BellcrankAssembly	104	532 14 01-56	Arm, Control Hydro
49	532 12 32-05	Retainer, Belt	105	871 07 05-16	Screw Cap Hex 5/16 x 18 x 1
50	874 78 06-24	Bolt	106	874 78 05-20	Bolt Fin Hex 5/16-18 UNC x 1-1/4
51	873 68 06-00	Nut	114	734 11 63-01	Washeril/32x3/4xl4Ga.
52	873 68 05-00	Nut Crownlock 5/16-18			
53	532 10 57-10	Link, Clutch			

M. REPAIR PARTS

MOWER DECK



M. REPAIR PARTS

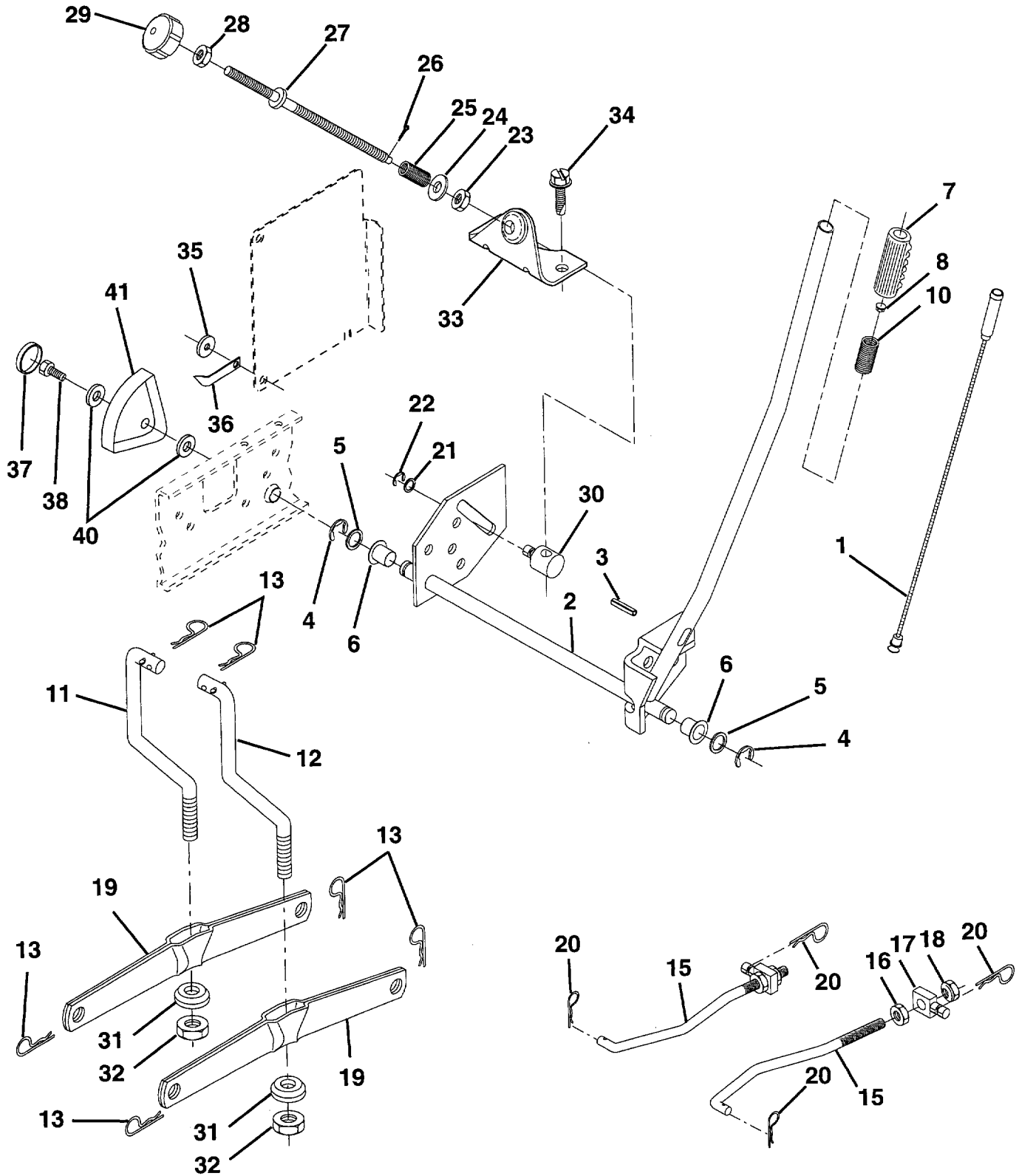
MOWER DECK

KEY PART NO.	PART NO.	DESCRIPTION	KEY PART NO.	PART NO.	DESCRIPTION
1	532 14 43-93	Housing Asm Mower 42"94 T-Path	54	532 13 39-43	Washer Hardened
2	872 14 05-06	Bolt Rdhd Sqnk 5/16-18 UNC x 3/4	55	532 14 00-84	Arm Idler 42"mower LT/~(T
3	532 13 80-17	Bracket Asm Fr Sway Bar 38/42	56	532 12 20-52	Spacer Retainer Pm Mower
4	532 13 84-40	Bracket Asm Deck 42"sway Bar	59	532 14 10-43	Guard, Belt
5	532 08 59-02	Retainer Spring	60	874 29 10-10	Screw Truss Hd Phil 10-24 x 5/8
6	532 13 08-32	Arm Suspension Rear	61	532 13 19-50	Spring Ext. Elect
8	532 85 08-57	Bolt 3/8-24 x 1.25 Gr 8 Patched	64	532 13 93-28	Guard Deflector Mower 42" TUV
9	810 04 06-00	Washer Lock Hvy 3/8 Unplated	68	532 14 42-00	V-Belt Mower
10	532 14 02-96	Washer Hard Blade Mower Vented	83	532 12 09-58	Washer Sintered
11	532 13 84-98	BladeMulchingHighLift"	84	532 14 43-94	KeeperBeltidlerFixed
12	532 12 98-95	Bearing Ball #6024 (Mandrel)	85	872 14 06-18	Bolt Carriage 3/8-16 x 2-1/4
13	532 13 76-45	Shaft Asm W/lower Bearing	90	874 78 06-16	Bolt Fin Hex 3/8-16 UNC x 1
14	532 12 87-74	Housing Mandrel Vented (machd)	91	532 13 22-74	Bracket Asm. Noseroller LH
15	532 11 04-85	Bearing Ball Mandrel	92	873 68 06-00	Nut Lock Hex w/Ins. 3/8-16 UNC
16	532 14 03-29	Stripper Round Mower	93	819 17 14-16	Washer 17/32 x 7/8 x 16 Ga.
17	872 11 06-18	Bolt Rdhd Sqnk 3/8-16 x 2-1/4	94	532 13 22-64	Roller Nose 38 & 42
18	872 14 05-05	Bolt Carr 5/16-18 x 5/8	95	532 13 22-73	Bracket Asm. Noseroller RH
19	532 13 28-27	Bolt Shoulder	111	532 14 03-53	Bracket Gauge Wheel LH
20	532 13 68-88	BaffleVortex42	112	532 13 22-62	BrackerGaugeWheel RH
21	873 68 05-00	Nut Crownlock 5/16-18	113	874 78 05-12	Screw Thdrol 5/16-18 x 3/4
22	532 13 47-53	Stiffener Bracket 42"deck	114	873 68 05-00	Nut Keps 5/16-18 UNC
23	532 13 12-67	Bracket Deflector Mower 42"	115	817 49 05-08	Bolt Carriage 5/16-18 UNC x 1/2
24	532 10 53-04	Cap Sleeve 80 x 112 Blk Mower	116	532 14 68-51	Bolt Shoulder
25	532 12 37-13	Spring Torsion Deflector 2 52	117	532 14 68-50	Wheel Gauge Medium
26	532 11 04-52	Nut Push Phos & Oil	118	873 68 06-00	Nut Centerlock 3/8-16 UNC
27	532 13 94-50	Shield Deflector Clipping	119	734 11 72-01	Washer 3/8 x 7/8 x 14 Ga.
28	734 11 63-01	Washer 11/32 x 5/8 x 16 Ga.	121	532 14 37-23	Bracket Extruded Gauge Wheel
29	532 13 14-91	Rod Hinge42"6 75 Wlg	125	876 02 08-16	Cotter Pin
30	532 13 87-76	Screw Thdrol Hex Head Zinc Mower	--	532 13 07-94	Mandrel Assembly (Includes Key Numbers 8-10, 12-15, 31 and 33)
31	532 12 99-63	Washer Spacer Mower Vented			
32	532 12 98-61	Pulley Mandrel 42"			
33	532 13 72-66	Nut 9/16 Toplock Flng Cntr			
34	872 11 06-22	Bolt RDHD 3/8-16 UNC x 2-3/4 Gr. 5			
35	532 13 38-35	Fastner Christmas Tree			
36	532 13 14-94	Pulley Idler Flat 3 060			
37	734 11 72-01	Washer 13/32 x 13/16 x 16 Ga.			
38	532 13 28-23	Spacer Spring Stop Idler			
39	734 11 46-01	Washer 7/32 x 7/16 x 18 Ga.			
40	873 68 06-00	Nut Lock 3/8-16 UNC			
44	532 14 00-88	Guard Mandrel LH Black			
46	532 13 77-29	Screw Thdrol 1/4-20 x 5/8			
47	532 06 08-67	Nut Acorn Hex #10-24			

O.

REPAIR PARTS

MOWER LIFT



O.

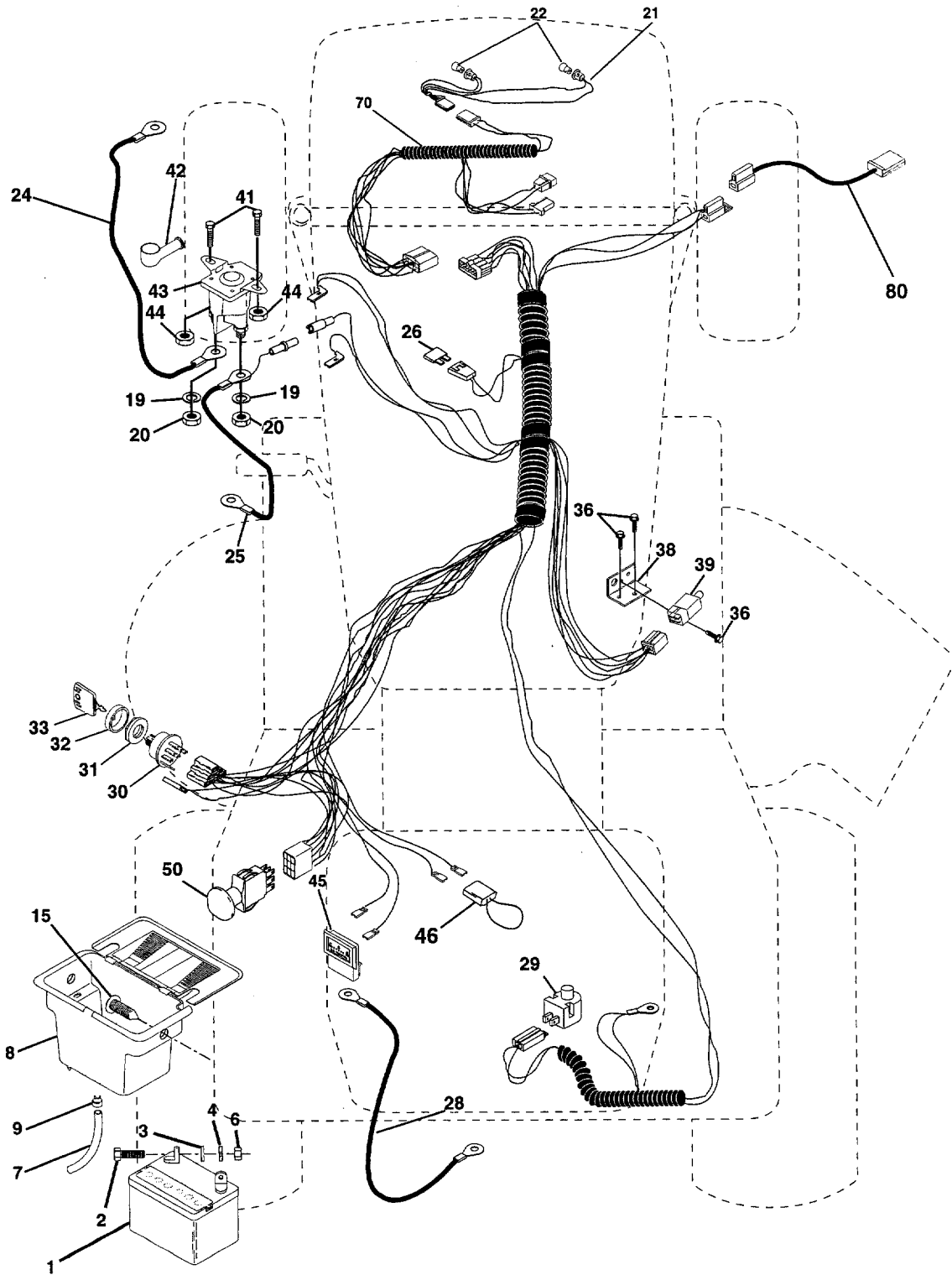
REPAIR PARTS

MOWER LIFT

KEY NO.	PART NO.	DESCRIPTION
1	532 13 69-73	Wire Asm Inner W/plunger 17 32
2	532 14 51-17	ShaftAsm Lift
3	532 10 57-67	Pin Groove
4	812 00 00-02	E Ring #5133-62
5	819 21 16-21	Washer 21/32 x 1 x 21 Ga.
6	532 12 01-83	Bearing Nylon Nlk629 Id
7	532 12 56-31	Grip Handle Bicycle Matte Blk
8	532 12 59-25	Button Plunger Black
10	532 12 25-12	Spring Cprsn 3 750 Oiled
11	532 13 98-65	Link Lift LH Mower
12	532 13 98-66	Link Lift RH Mower
13	532 08 59-02	Retainer Spring
15	532 12 72-18	Link Front
16	873 22 08-00	Nut Jam Hex 1/2-13 UNC
17	532 13 01-71	Trunnion Blk Zinc
18	873 80 08-00	Nut Lock W/wsh 1/2-13 UNC
19	532 13 98-68	Arm Suspension Rear
20	532 00 31-46	Retainer Spring
21	734 11 77-71	Washer 15/32 x 3/4 x 16 Ga.
22	812 00 00-37	Ring Klip
23	532 11 08-07	Nut Special
24	734 11 77-71	Washer 13/32 x 5/8 x 16 Ga.
25	532 12 48-74	Spring 2-1/8"
26	876 02 03-08	Pin Cotter 3/32 x 1/2
27	532 12 69-71	Rod Adj Lift
28	873 22 06-00	Nut Hex Jam 3/8-16 UNC
29	532 13 80-57	Knob Inf 3/8-16 UNC
30	532 11 08-10	Trunnion Dp Stop Dbi Thds Pit
31	873 54 06-00	Nut Crownlock 3/8-24
32	532 14 03-02	Bearing Put Lift Spherical
33	532 14 01-68	Bracket Stop Inf Hgt
34	817 49 06-08	Screw Thdrol 3/8-16 x 1/2
35	532 12 05-29	Washer Nylon
36	532 13 83-46	Pointer Pnt Height Ind
37	532 12 39-35	Plug Hole
38	874 78 05-12	Screw Thdrol 5716-18 x 3/4
40	819 11 24-10	Washer 11/32 x 1-1/2 x 10 Ga.
41	532 12 39-34	Scale Ind Height Blk

P. REPAIR PARTS

ELECTRICAL



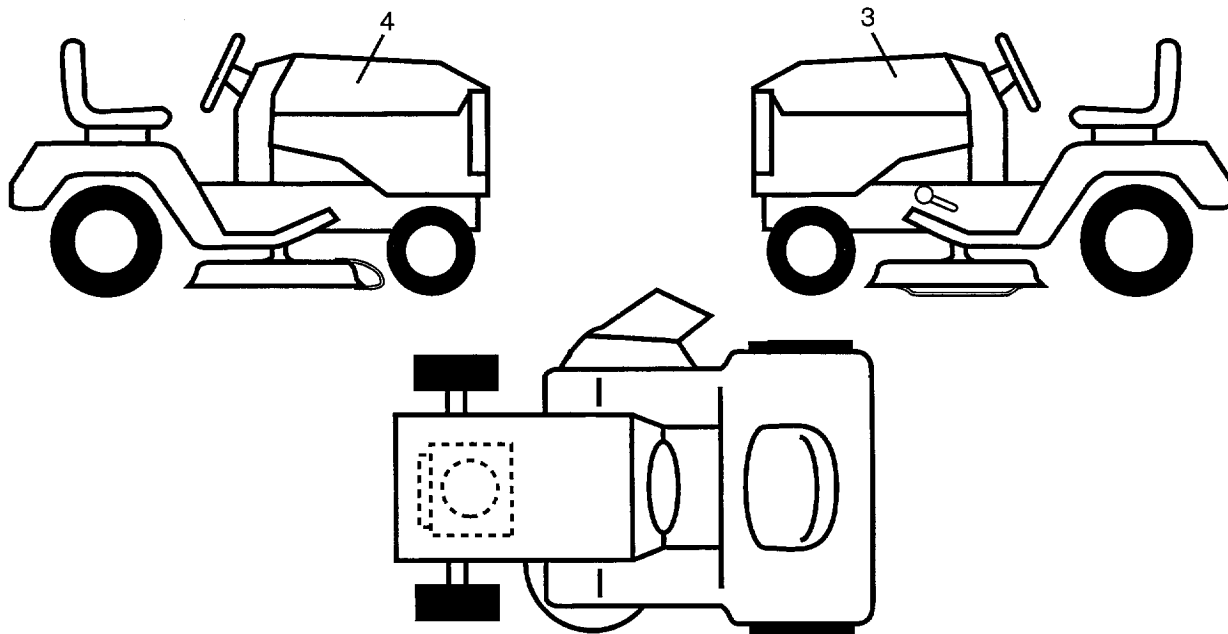
P. REPAIR PARTS

ELECTRICAL

KEY NO.	PART NO.	DESCRIPTION
1	532 14 61-39	Battery 12 VOLTS 25 AMP
2	874 76 04-12	Bolt Hex Hd 1/4-20 UNC x 3/4
3	734 11 53-01	Washer 9/32 x 5/8 x 16 Ga.
4	810 04 04-00	Washer Lock Hvy Helical 1/4
6	873 22 04-00	Nut Fin Hex 1/4-20 UNC
7	532 10 92-38	Tube Plastic 12"
8	532 14 49-40	Case Battery w/ Lid
9	532 10 95-96	Clamp Hose Olive
15	532 14 76-88	Fastner Snap-In
19	810 04 04-00	Washer Lock 1/4
20	873 22 04-00	Nut Jam Hex 1/4-20 UNC
21	532 14 74-30	HarnessAsm LightW/4152J
22	532 00 41-52	Bulb Light #1156
24	532 00 47-99	Cable Battery 6 Ga 11"red
25	532 14 61-47	Cable Battery 6 Ga W/16 Ga Wire 44"
26	532 10 88-24	Fuse 30 AMP Auto Green
28	532 12 47-73	Cable Ground 6 Ga 12"black
29	532 12 13-05	Switch Plunger Nc Gray
30	532 14 03-01	Switch Ignition 4 Pos
31	532 12 42-11	Nut Ignition
32	532 14 12-26	Cover Sw Key Blk 1 25 Text SL T
33	516 84 46-00	Key Ign Molded Generic
36	817 02 10-08	Screw Tap Hex #10-24 UNC x 1/2
38	532 14 03-36	Bracket Switch Interlock
39	532 10 95-53	Switch Intik Clutch Gry 4 Term
40	532 15 12-15	Harness Ign.
41	874 78 04-08	Bolt Hex Hd. Fin 1/4-20 x 1/2 Gr 5
42	532 13 15-63	Cover Terminal Red
43	532 14 61-54	Solenoid
44	873 68 04-00	Nut Keps Hex 1/4-20 UNC
45	532 12 14-33	Rectangular 6amp Ammeter
50	532 14 04-04	Switch PTO 3 PDT Black
52	532 14 19-40	Protection Wire Loop
70	532 14 11-64	Harness Engine 14 OHV Dual
80	532 14 66-85	Harness Clutch Evx

R. REPAIR PARTS

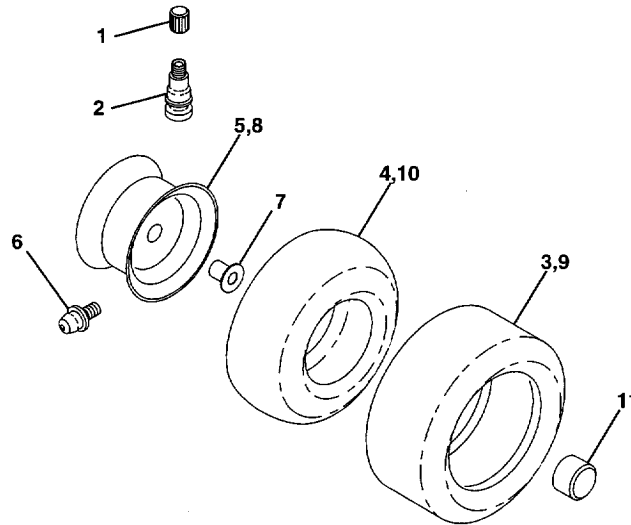
DECALS



KEY	PART		
NO.	NO.		DESCRIPTION
3	532 15 22-46		Decal, Hood, LH
4	532 15 22-45		Decal, Hood, RH

R. REPAIR PARTS

WHEELS & TIRES



KEY NO.	PART NO.	DESCRIPTION
1	532 05 91-92	Cap Valve Tire
2	532 06 51-39	Stem Valve
3	533 30 11-40	Tire F Ts 15 x 6 0 - 6 Service
4	532 05 99-04	Tube Front (Service Item Only)
5	532 13 83-36	Rim Asm fãfront Silver Service
6	532 00 02-78	Fitting Grease (Front Wheel Only)
7	532 00 90-40	Bearing Flange (Front Wheel Only)
8	532 10 61-08	Rim Asm 8"rear Silver Service
9	533 05 82-76	Tire R Ts 20 x 10-8 C Service
10	532 00 71-52	Tube Rear (Service Item Only)
11	532 10 47-57	Cap Axle Blk 1 50 x 1 00

S. REPAIR PARTS

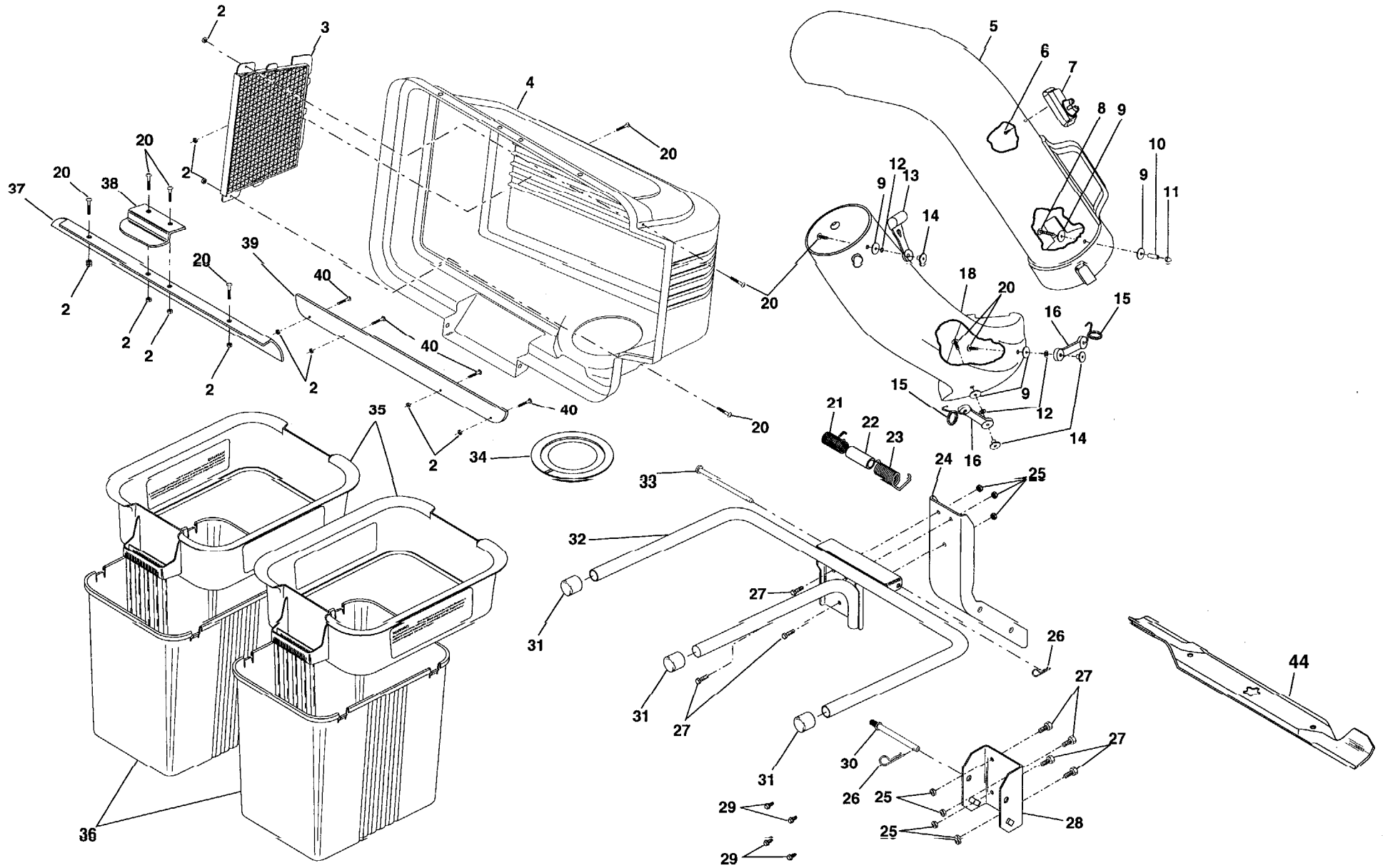
GRASS CATCHER

KEY NO.	PART NO.	DESCRIPTION
2	532 06 91-80	Nut, Crownlock #10-24
3	532 12 75-33	Screen, Cover
4	532 14 06-54	Cover
5	532 12 68-40	Chute, Upper
6	818 02 10-08	Screw, Special "10-14 x 1/2
7	532 14 05-72	Dump Bag Indicator
8	874 98 10-20	Screw, "10-24 x 1-1/8
9	819 06 12-16	Washer 3/16 x 3/4 x 16 Ga.
10	532 00 72-06	Spacer, Split
11	532 06 08-67	Nut, Acorn "10-24
12	810 07 10-00	Washer, Lock
13	532 10 98-08	Latch, Chute
14	532 00 20-29	Nut, weld
15	532 13 07-60	Latch, Hook
16	532 13 07-59	Rubber, Latch
18	532 12 68-39	Chute, Lower
20	874 29 10-10	Screw "10-24 x 5/8
21	532 13 27-96	Spring, Cover LH (Black)
22	532 13 32-35	Spacer, Cover
23	532 13 29-83	Spring, Cover RH (Gray)
24	532 12 68-13	Post, Support

KEY NO.	PART NO.	DESCRIPTION
25	873 68 05-00	Locknut 5/16 x 18
26	532 08 59-02	Spring, Retainer
27	874 78 05-12	Bolt, Hex 5/16-18 x 3/4
28	532 13 08-89	Bracket, Mounting
29	817 49 05-08	Screw 5/16-18 x 1/2 hex, Self Tapping
30	532 13 11-37	Pin, Support Post
31	532 13 44-96	Plug, Tubing End
32	532 12 69-19	Bagger, Frame
33	532 12 86-00	Pin, Hinge
34	532 12 75-34	Gasket, Cover
35	532 12 95-85	Container, Top
36	532 12 95-86	Container, Bottom
37	532 13 22-56	Seal, Cover
38	532 13 08-95	Latch Handle, Cover
39	532 13 54-95	Strip, Seal
40	871 14 10-08	Screw #10-24 x 1/2
44	532 13 84-98	Blade, High Lift
--	532 10 50-70	Bag, 3.0 mil. 30 Gallon Trash (not included)

S. REPAIR PARTS

GRASS CATCHER



T.

REPAIR PARTS

HYDRO - GEAR 310-0650

KEY PART NO.	PART NO.	DESCRIPTION
3	532 14 29-32	Seal, Lip
6	532 14 29-34	Bearing, Shaft Ball
13	532 14 29-38	Block, Cylinder Assembly
15	532 14 29-40	Seal, Lip
18	532 15 07-72	Shaft, Motor
23	532 14 29-44	Block, Cylinder Assembly
27	532 14 29-48	Seal, Lip 26 x42 x8
34	532 14 29-51	Mil Filter Element
35	532 14 29-52	Arm, Bypass
44	532 15 08-29	Differential Assembly
52	532 14 29-91	Washer 3/4 x 1.5 x .13
53	532 14 29-61	Seal .75 x 1.25 x .250
56	532 14 29-63	Shaft, Input
69	532 14 46-10	Stud 5/16-24
83	532 14 29-71	Jackshaft Assembly
90	532 14 29-75	Sleeve Bearing
91	532 14 29-76	Seal, Wiper
113	532 14 29-17	Cap, Vent Assembly
114	532 14 29-18	Fitting, O-Ring Assembly
119	532 14 29-80	Spacer

T. REPAIR PARTS

HYDRO - GEAR 310-0650

