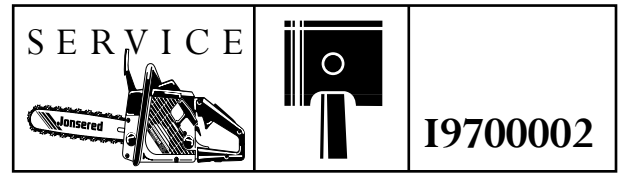


Jonsered



IPL, 2071, 2071 W, 1997-02-12, 106 24 45-61

2071 2071 W

Spare parts

Ersatzteile

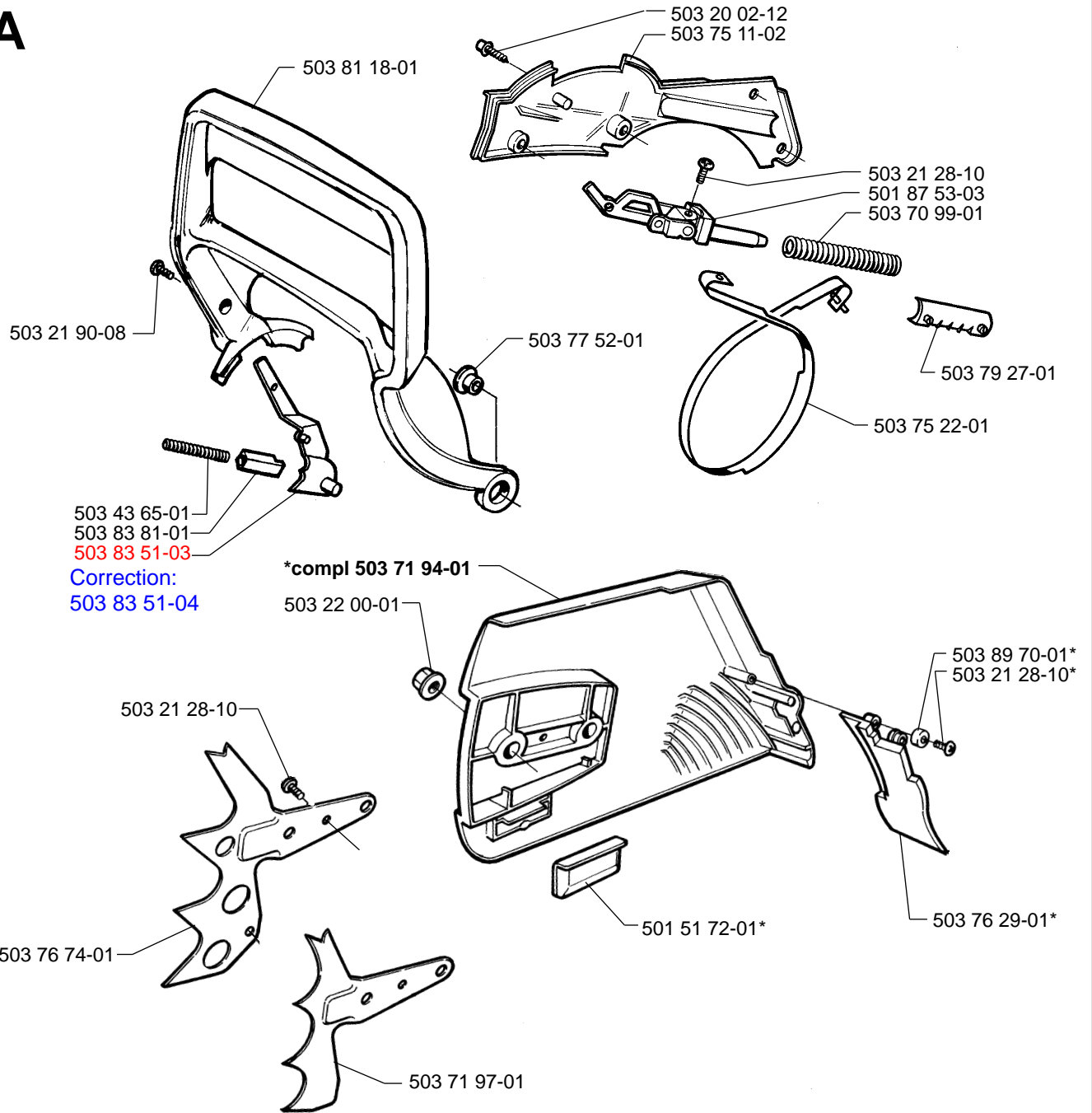
Pièces détachées

Reserve onderdelen

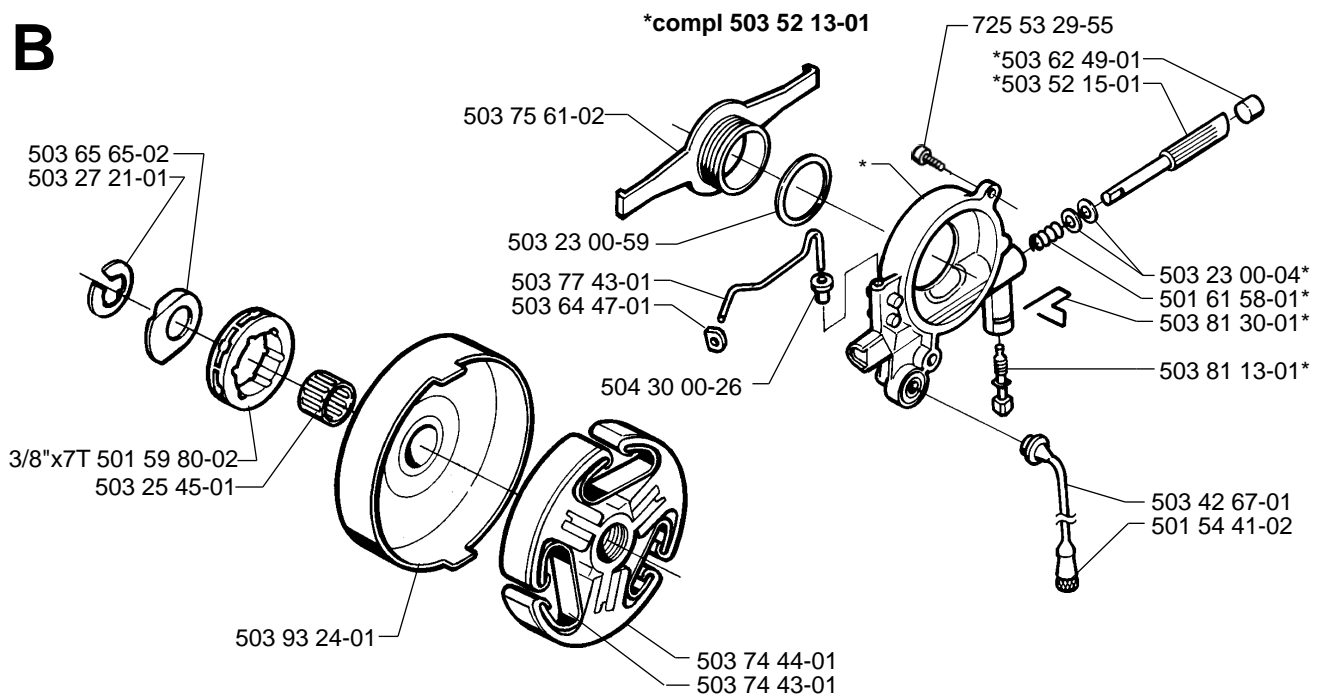
Repuestos

Reservdelar

A

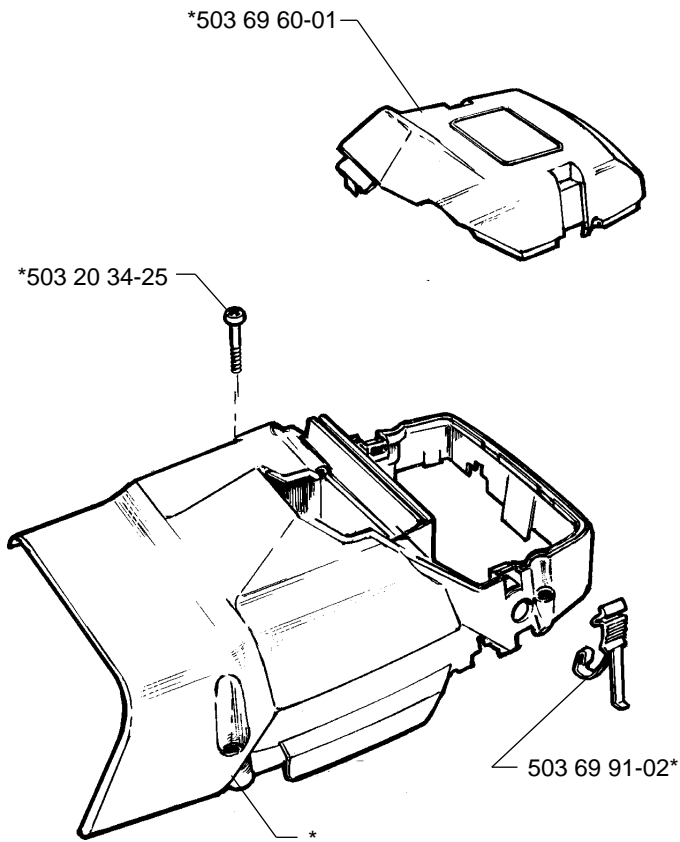


B

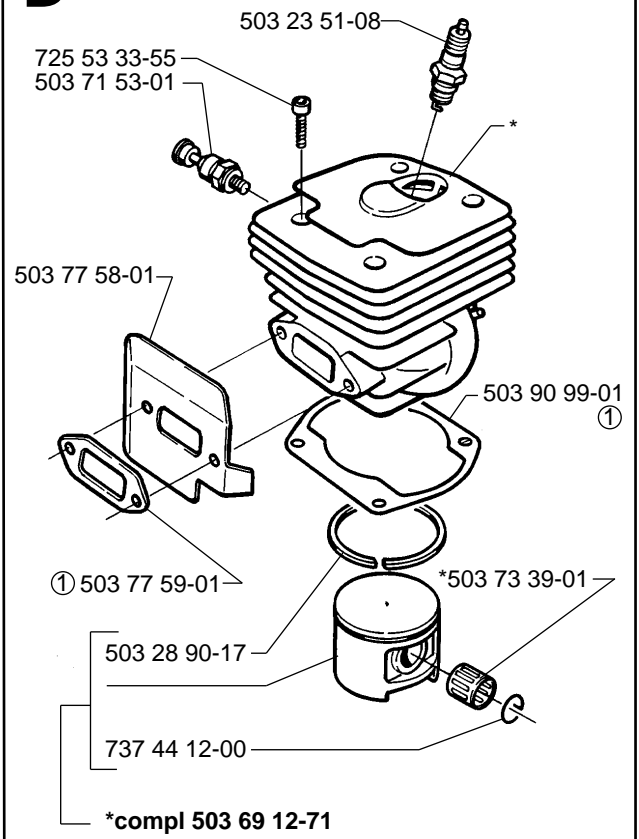


C

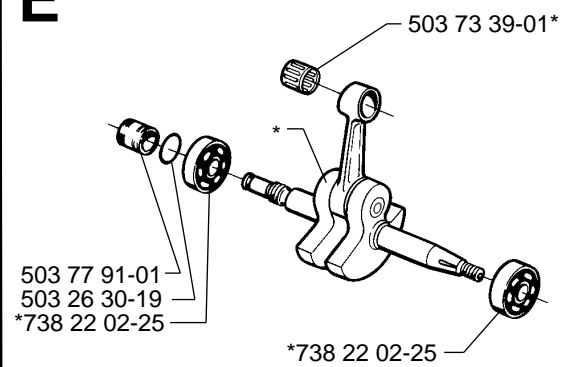
*compl 503 70 08-05 USA
 *compl 503 70 08-06 Std

**D**

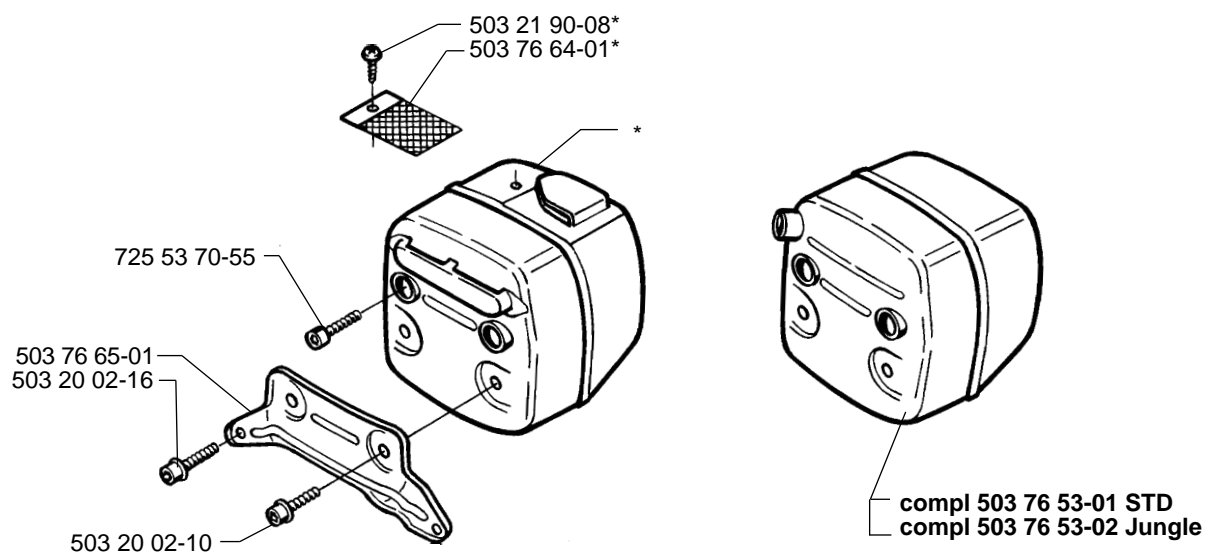
*compl 503 62 64-72

**E**

*compl 503 72 91-72

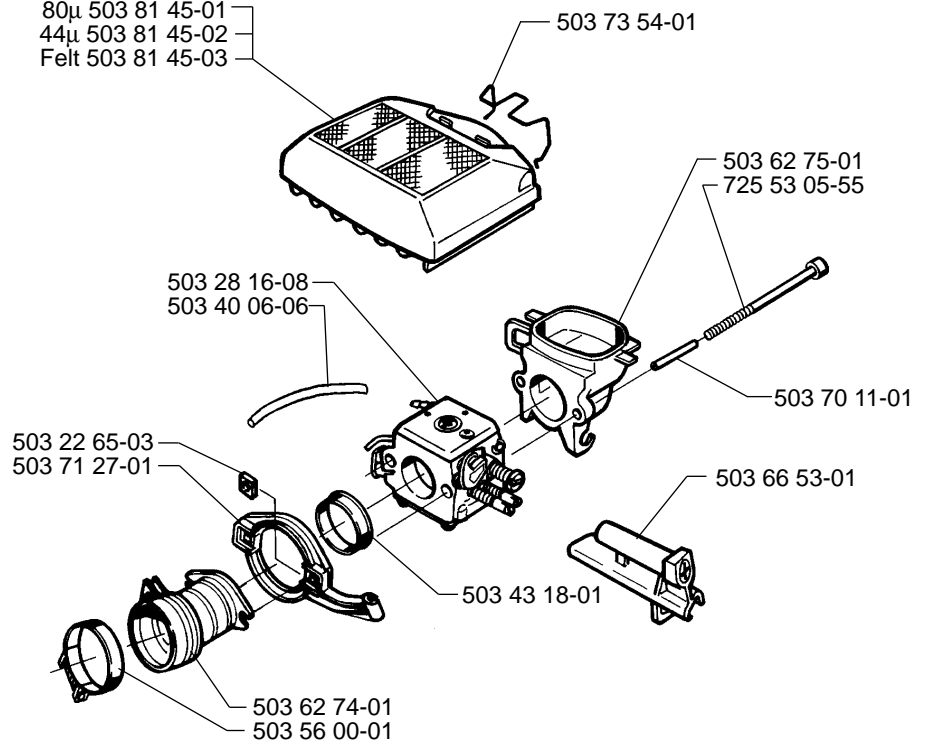
**F**

*compl 503 76 52-01 FG
 *compl 503 76 54-02 DF

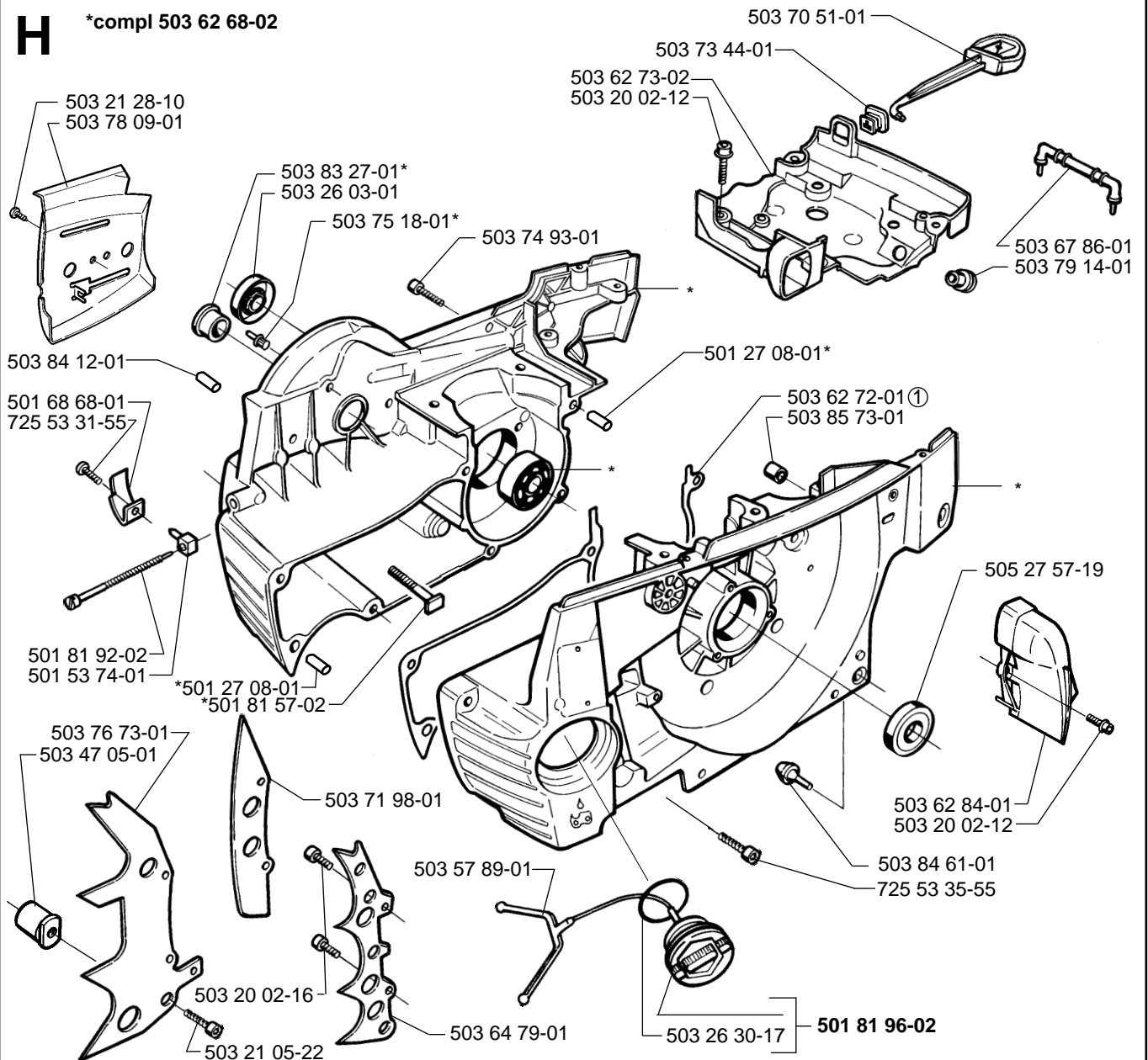


G

80µ 503 81 45-01
 44µ 503 81 45-02
 Felt 503 81 45-03

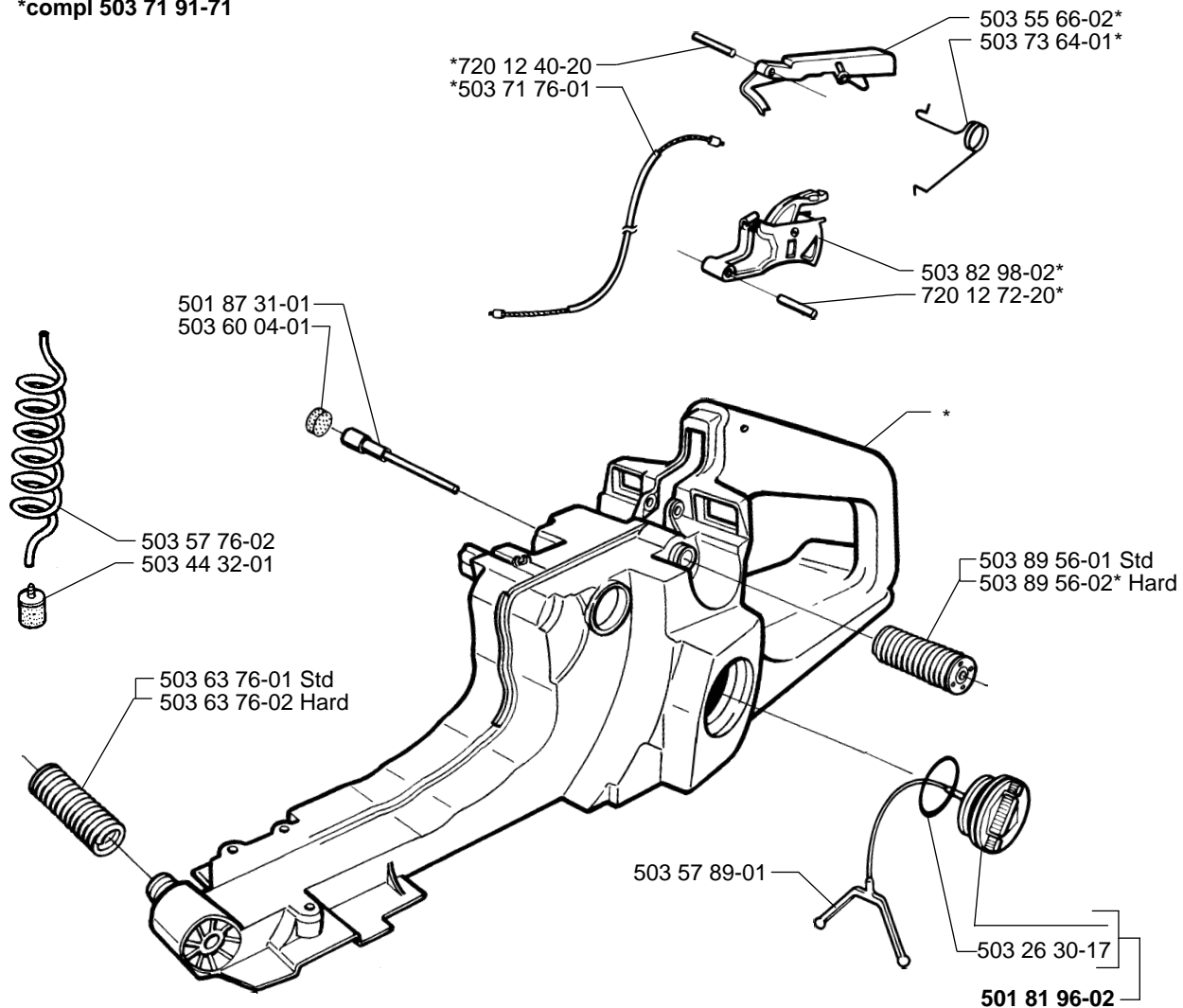
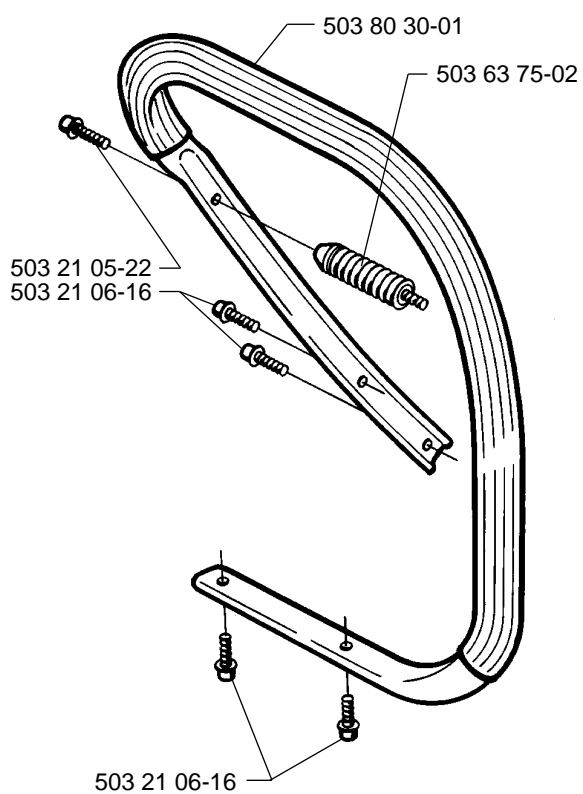
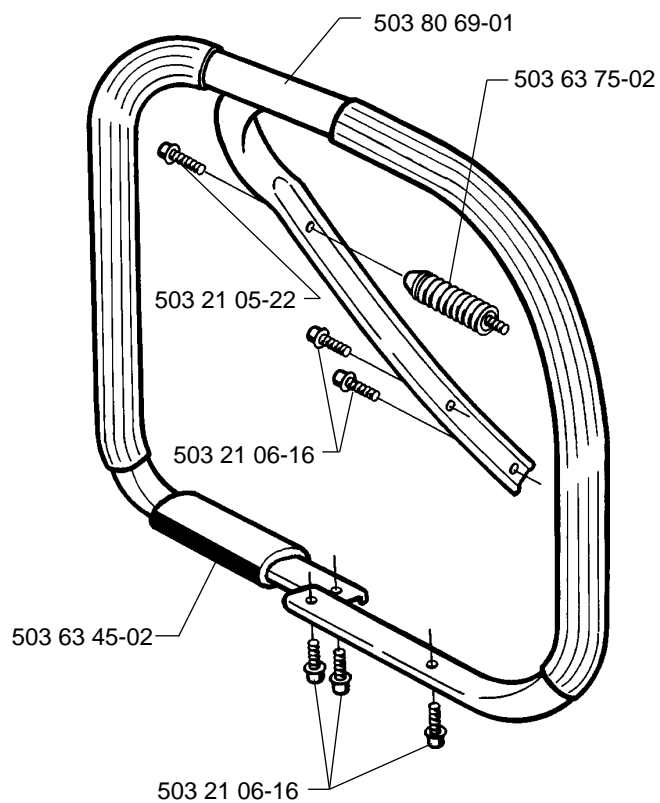
**H**

*compl 503 62 68-02

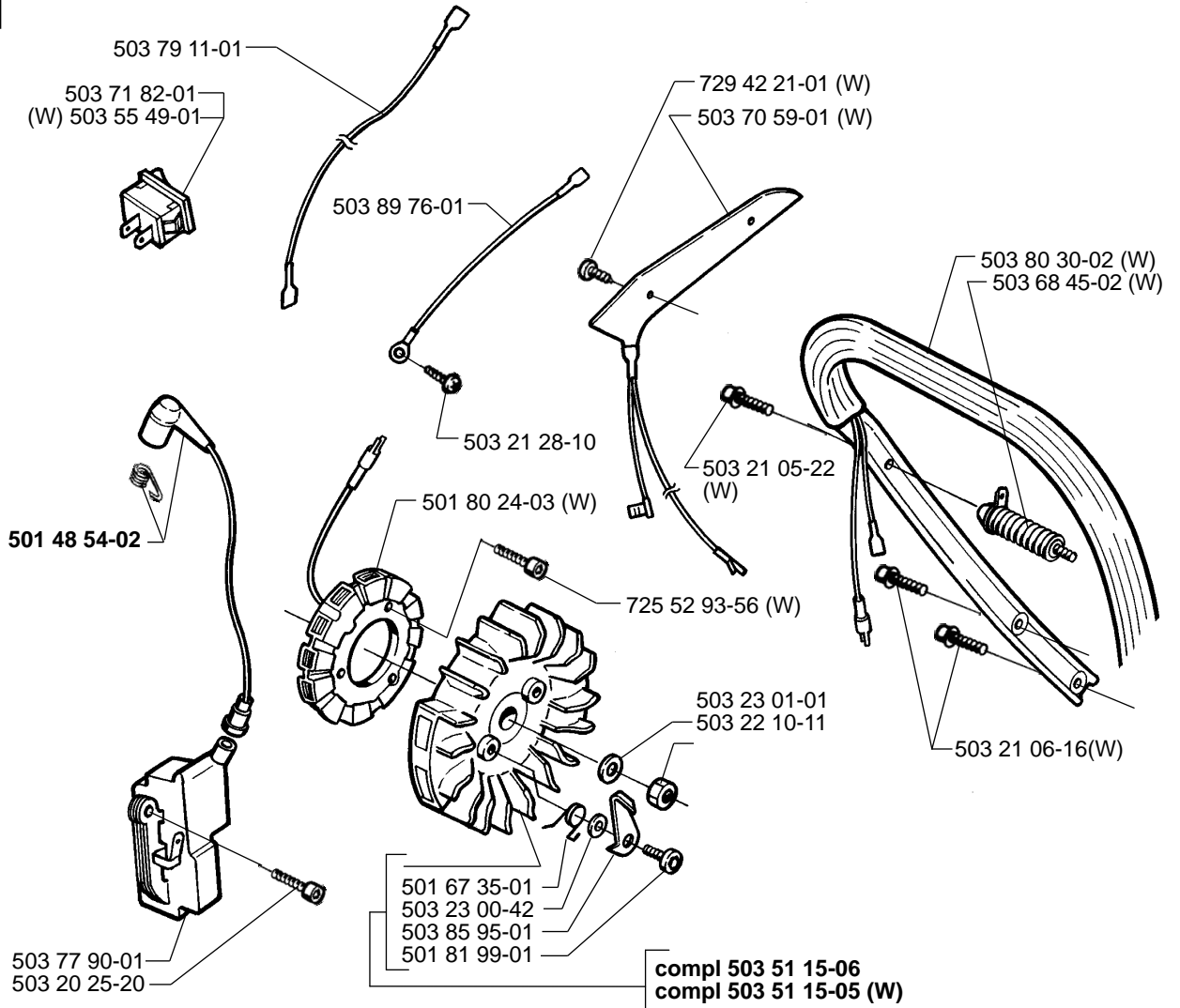


J

*compl 503 71 91-71

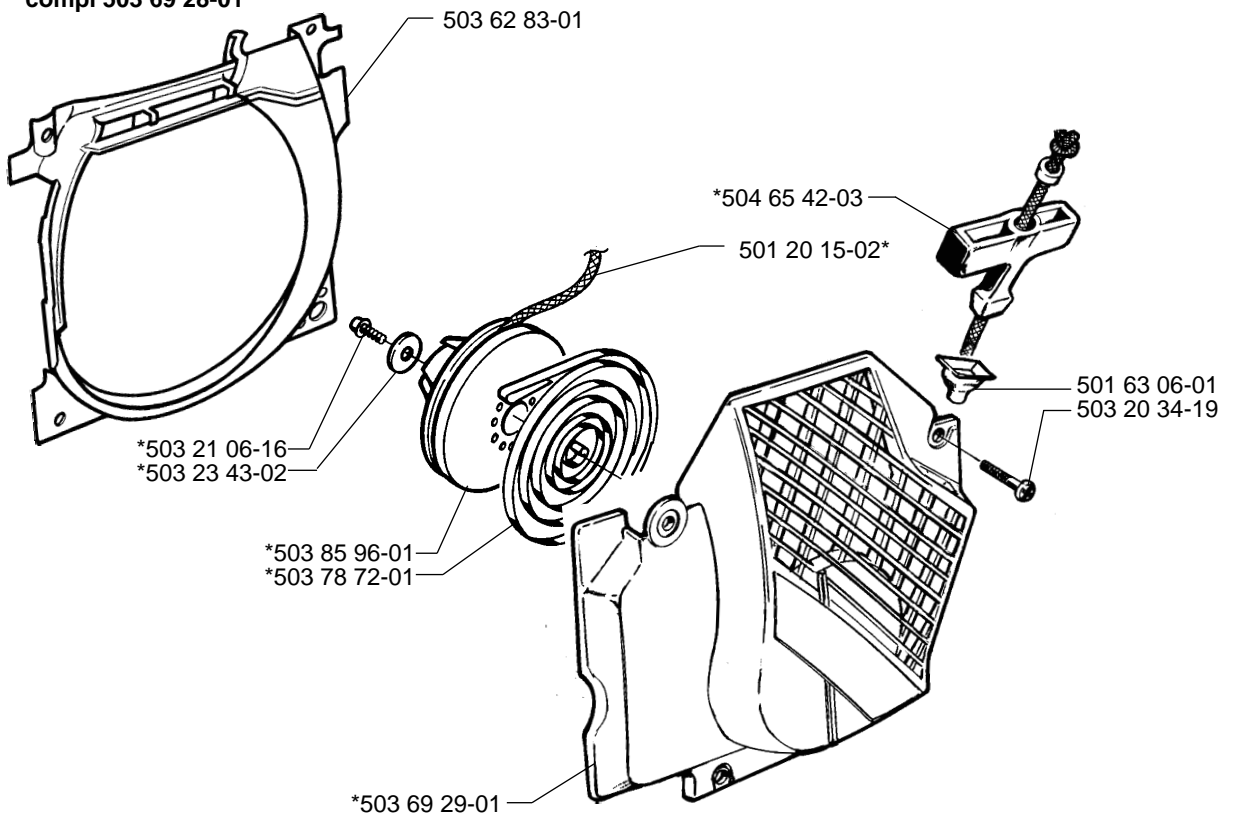
**K****L**

M



N

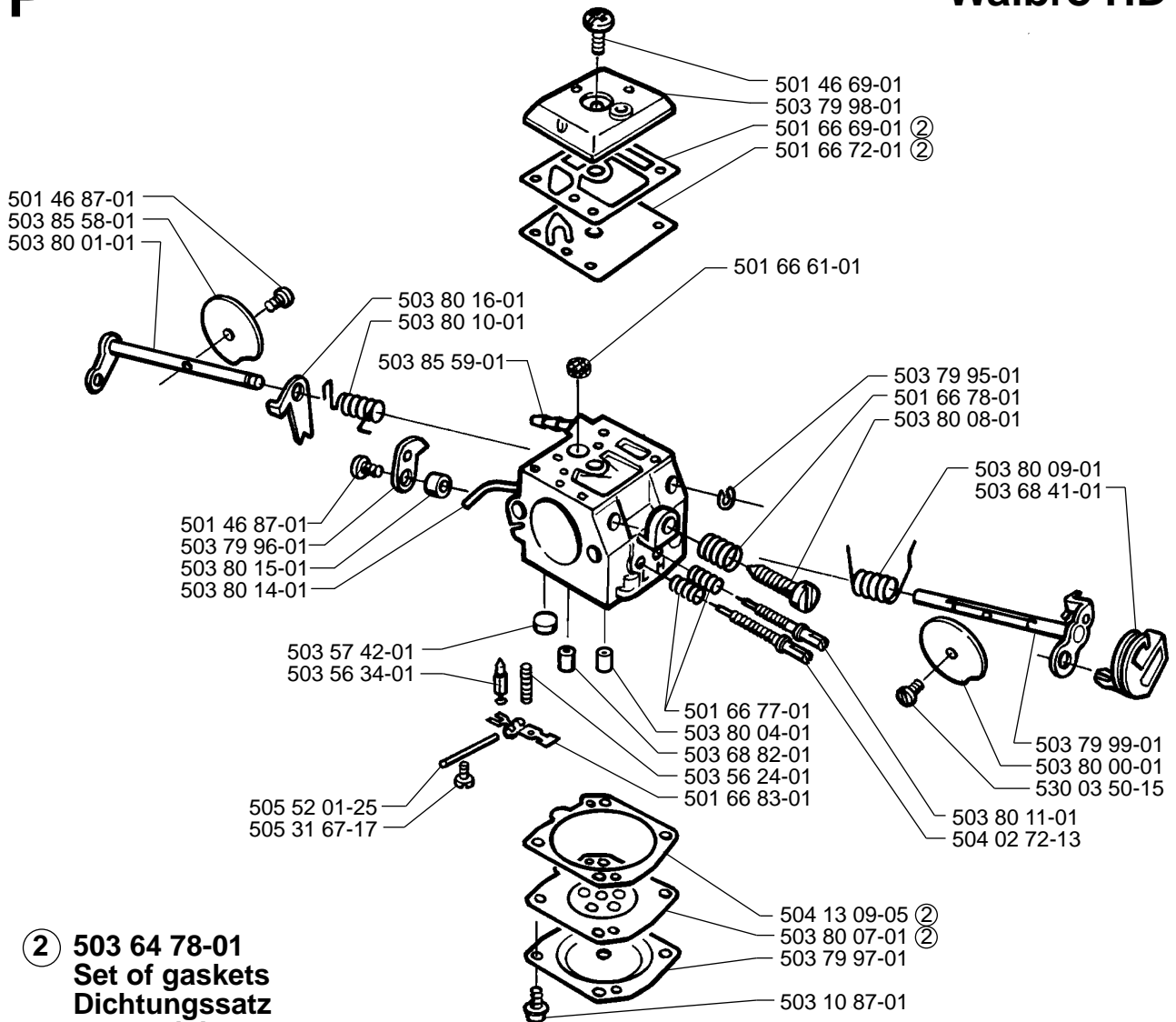
*compl 503 69 28-01



P

compl 503 28 16-08

Walbro HD-6

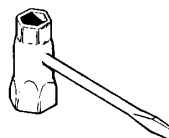
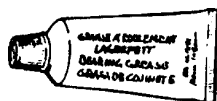
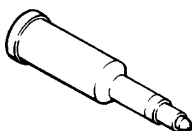
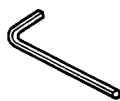
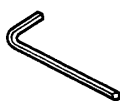
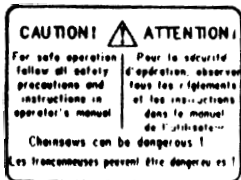
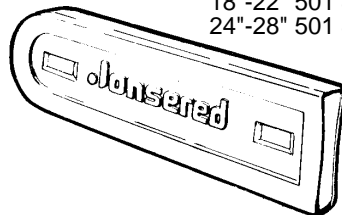


(2) **503 64 78-01**
Set of gaskets
Dichtungssatz
Jeu de joints
Juego de juntas
Packningssats

Q

Accessories
Zubehöre
Accessories
Accessorios
Tillbehör

13"-16" 501 83 44-02
 18"-22" 501 83 44-05
 24"-28" 501 83 45-02



MODEL NUMBER 2071

PART NUMBER	SQUARE	NOTE	PART NUMBER	SQUARE	NOTE	PART NUMBER	SQUARE	NOTE	PART NUMBER	SQUARE	NOTE
501 20 15-02	N		503 55 66-02	J		503 76 53-02	F		725 53 31-55	H	
501 27 08-01	H		503 55 86-01	Q		503 76 54-02	F		725 53 33-55	D	
501 46 69-01	P		503 55 86-02	Q		503 76 64-01	F		725 53 35-55	H	
501 46 87-01	P		503 56 00-01	G		503 76 65-01	F		725 53 70-55	F	
501 48 54-02	M		503 56 24-01	P		503 76 73-01	H		729 42 21-01	M	
501 51 72-01	A		503 56 34-01	P		503 76 74-01	A		737 44 12-00	D	
501 53 13-01	Q		503 57 42-01	P		503 77 43-01	B		738 22 02-25	E	
501 53 74-01	H		503 57 76-02	J		503 77 52-01	A				
501 54 41-02	B		503 57 89-01	H		503 77 58-01	D				
501 59 80-02	B		503 60 04-01	J		503 77 59-01	D	1			
501 61 58-01	B		503 62 12-01	Q		503 77 90-01	M				
501 63 06-01	N		503 62 49-01	B		503 77 91-01	E				
501 66 61-01	P		503 62 64-72	D		503 78 09-01	H				
501 66 69-01	P	2	503 62 68-02	H		503 78 72-01	N				
501 66 72-01	P	2	503 62 72-01	H	1	503 79 11-01	M				
501 66 77-01	P		503 62 73-02	H		503 79 14-01	H				
501 66 78-01	P		503 62 74-01	G		503 79 27-01	A				
501 66 83-01	P		503 62 75-01	G		503 79 95-01	P				
501 67 35-01	M		503 62 83-01	N		503 79 96-01	P				
501 68 68-01	H		503 62 84-01	H		503 79 97-01	P				
501 69 17-01	Q		503 63 45-02	L		503 79 98-01	P				
501 80 24-03	M		503 63 75-02	K,L		503 79 99-01	P				
501 81 57-02	H		503 63 76-01	J		503 80 00-01	P				
501 81 92-02	H		503 63 76-02	J		503 80 01-01	P				
501 81 96-02	H,J		503 64 47-01	B		503 80 04-01	P				
501 81 99-01	M		503 64 78-01	P	2 compl	503 80 07-01	P	2			
501 83 44-02			503 64 79-01	H		503 80 08-01	P				
501 83 44-05	Q		503 65 65-02	B		503 80 09-01	P				
501 83 45-02	Q		503 66 53-01	G		503 80 10-01	P				
501 87 31-01	J		503 67 86-01	H		503 80 11-01	P				
501 87 53-03	A		503 68 41-01	P		503 80 14-01	P				
501 91 14-01	Q		503 68 45-02	M		503 80 15-01	P				
503 10 87-01	P		503 68 82-01	P		503 80 16-01	P				
503 20 02-10	F		503 69 12-71	D		503 80 30-01	K				
503 20 02-12	A,H		503 69 28-01	N		503 80 30-02	M				
503 20 02-16	F,H		503 69 29-01	N		503 80 69-01	L				
503 20 25-20	M		503 69 60-01	C		503 81 13-01	B				
503 20 34-19	N		503 69 91-02	C		503 81 18-01	A				
503 20 34-25	C		503 70 08-05	C		503 81 30-01	B				
503 21 05-22	A,K,L,M		503 70 08-06	C		503 81 45-01	G				
503 21 06-16	K,L,N		503 70 11-01	G		503 81 45-02	G				
503 21 28-10	A,H,M		503 70 51-01	H		503 81 45-03	G				
503 21 90-08	A,F		503 70 57-01	Q		503 82 98-02	J				
503 22 00-01	A		503 70 57-02	Q		503 83 27-01	H				
503 22 10-11	M		503 70 58-01	Q		503 83 51-03	A				
503 22 65-03	G		503 70 58-02	Q		503 83 81-01	A				
503 23 00-04	B		503 70 59-01	M		503 84 12-01	H				
503 23 00-42	M		503 70 99-01	A		503 84 61-01	H				
503 23 00-59	B		503 71 27-01	G		503 85 58-01	P				
503 23 01-01	M		503 71 53-01	D		503 85 59-01	P				
503 23 43-02	N		503 71 76-01	J		503 85 73-01	H				
503 23 51-08	D		503 71 82-01	M		503 85 95-01	M				
503 25 45-01	B		503 71 91-71	J		503 85 96-01	N				
503 26 03-01	H		503 71 94-01	A		503 89 56-01	J				
503 26 30-17	HJ		503 71 97-01	A		503 89 56-02	J				
503 26 30-19	E		503 71 98-01	H		503 89 70-01	A				
503 27 21-01	A		503 72 91-72	E		503 89 76-01	M				
503 28 16-08	G,P		503 73 39-01	D,E		503 90 99-01	D	1			
503 28 90-17	D		503 73 44-01	H		503 93 24-01	B				
503 40 06-06	G		503 73 54-01	G		504 02 72-13	P				
503 42 67-01	B		503 73 64-01	J		504 13 09-05	P	2			
503 43 18-01	G		503 74 43-01	B		504 30 00-26	B				
503 43 65-01	A		503 74 44-01	B		505 27 57-19	H				
503 44 17-01	Q		503 74 93-01	H		505 31 67-17	P				
503 44 32-01	J		503 75 11-02	A		505 52 01-25	P				
503 47 05-01	A		503 75 18-01	H		530 03 50-15	P				
503 51 15-05	M		503 75 22-01	A		720 12 40-20	J				
503 51 15-06	M		503 75 61-02	B		720 12 72-20	J				
503 52 13-01	B		503 76 29-01	A		725 52 93-56	M				
503 52 15-01	B		503 76 52-01	F		725 53 05-55	G				
503 55 49-01	M		503 76 53-01	F		725 53 29-55	B				

2=503 64 78-01 Set of Gasket
 Dichtungssatz
 Jeu de joints
 Juego de juntas
 Packningssatz

1=503 64 72-01 Set of gaskets
 Dichtungssatz
 Jeu de joints
 Juego de juntas
 Packningssatz