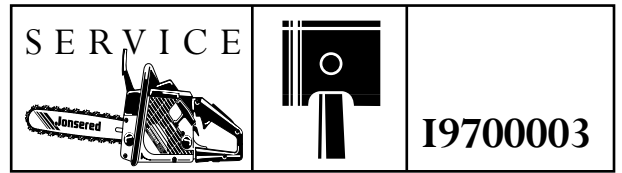


Jonsered



IPL, 2065, 1997-02-12, 106 24 44-61

2065

Spare parts

Ersatzteile

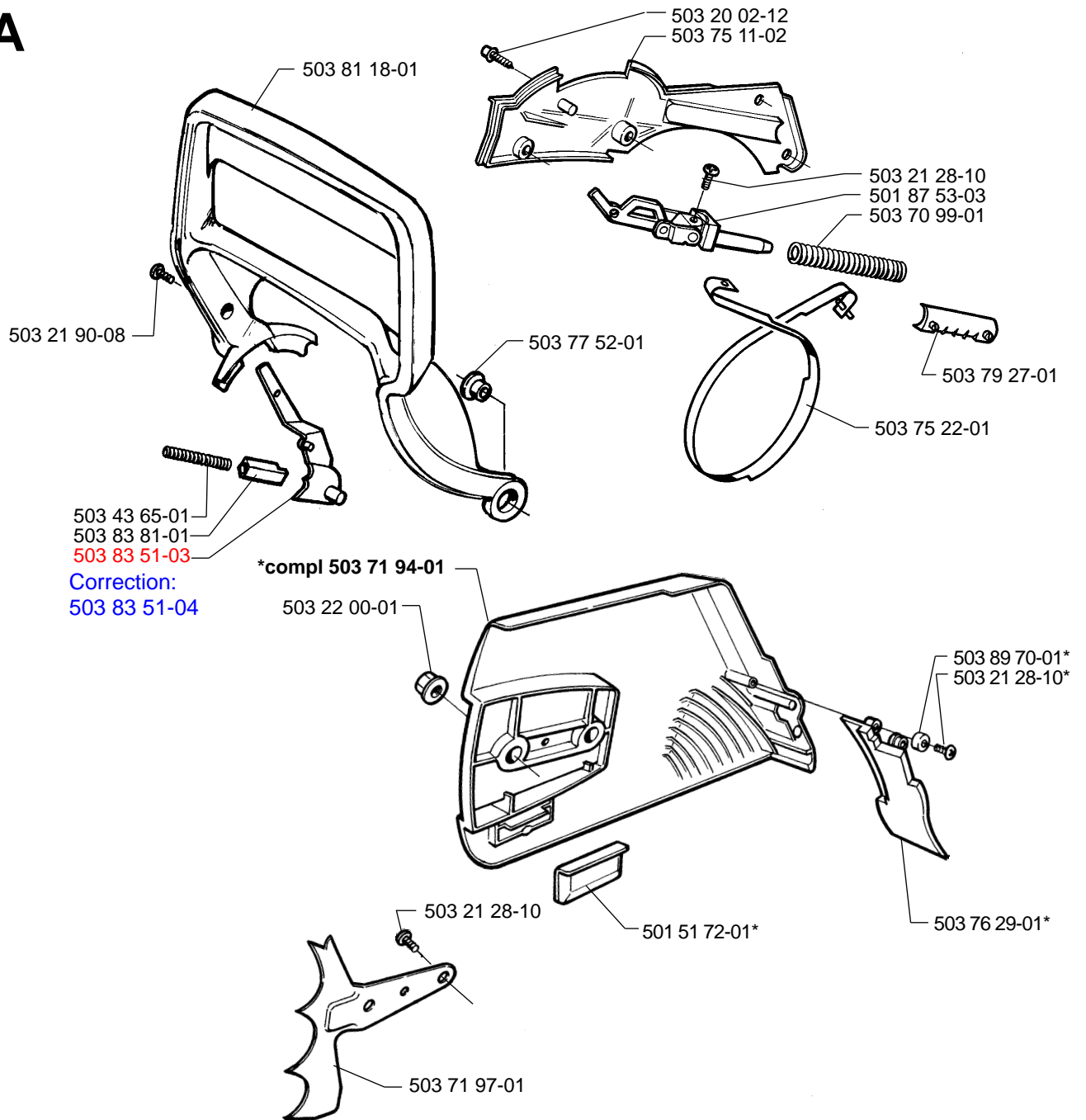
Pièces détachées

Reserve onderdelen

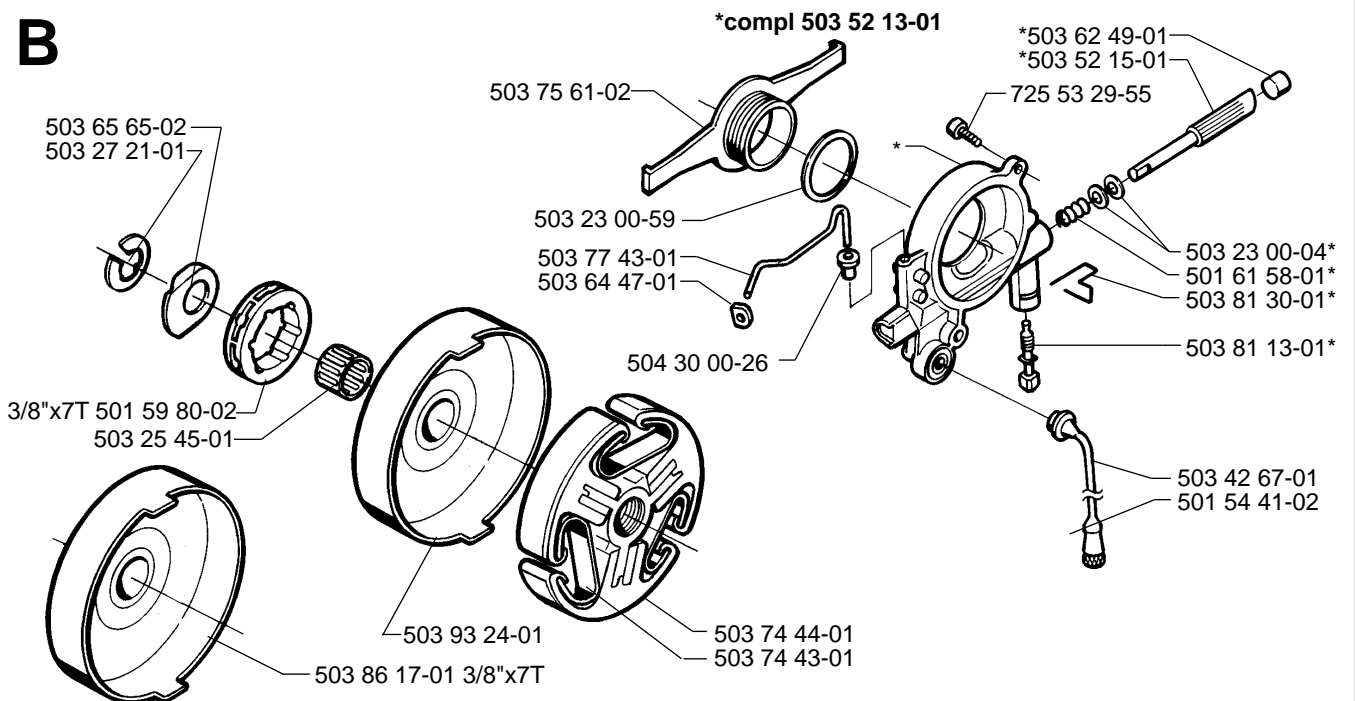
Repuestos

Reservdelar

A

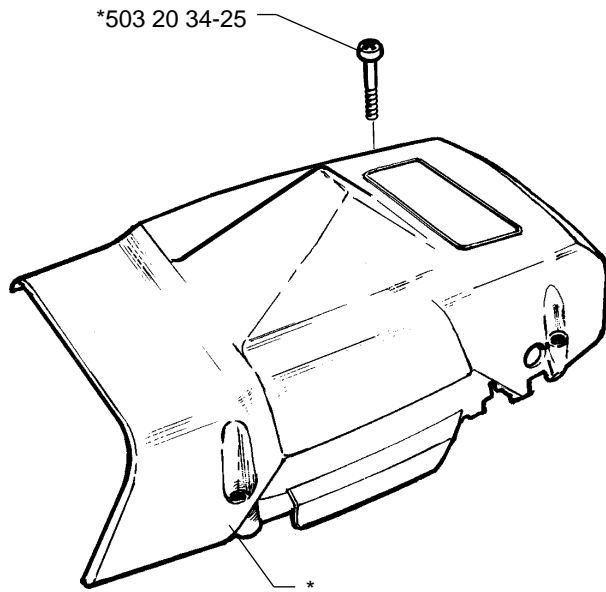


B

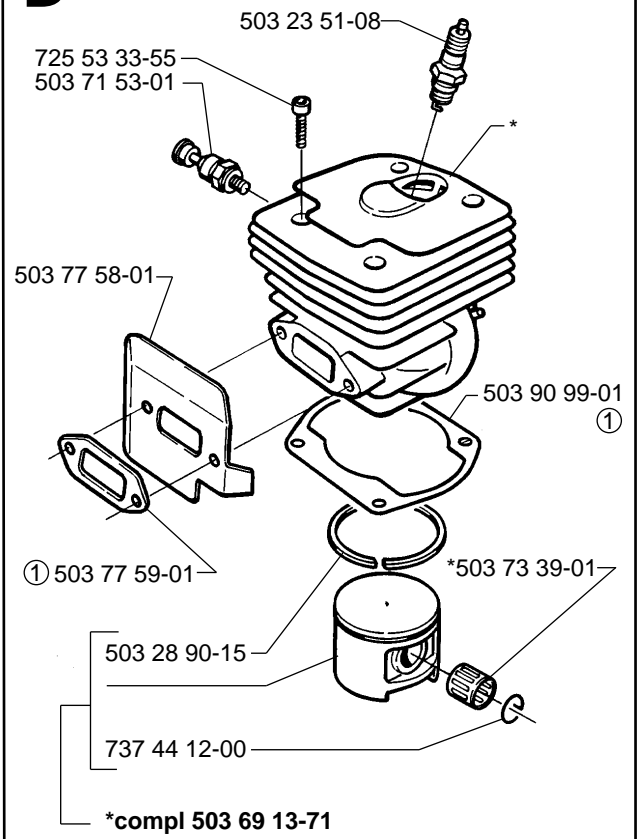


C

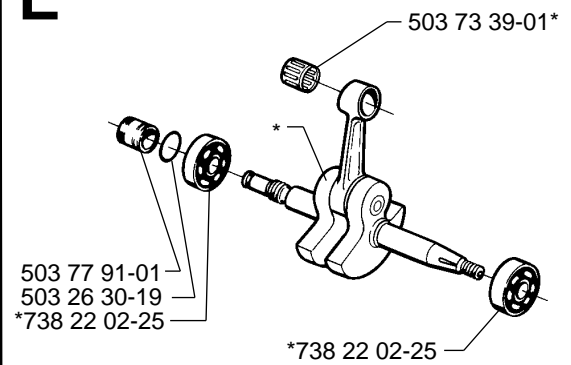
*compl 503 69 74-02 USA
 *compl 503 69 74-01 Std

**D**

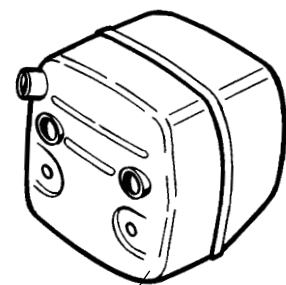
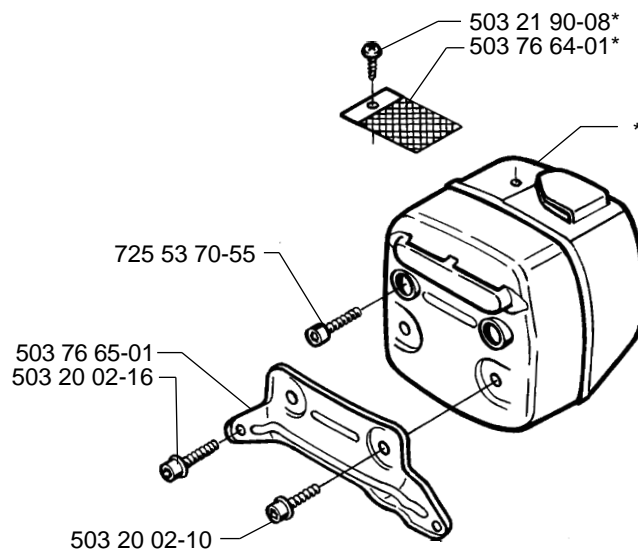
*compl 503 69 10-72

**E**

*compl 503 72 91-72

**F**

*compl 503 76 52-01 FG
 *compl 503 76 54-02 DF



compl 503 76 53-01 STD
 compl 503 76 53-02 Jungle

G

Correction:

80μ: 503 82 07-01

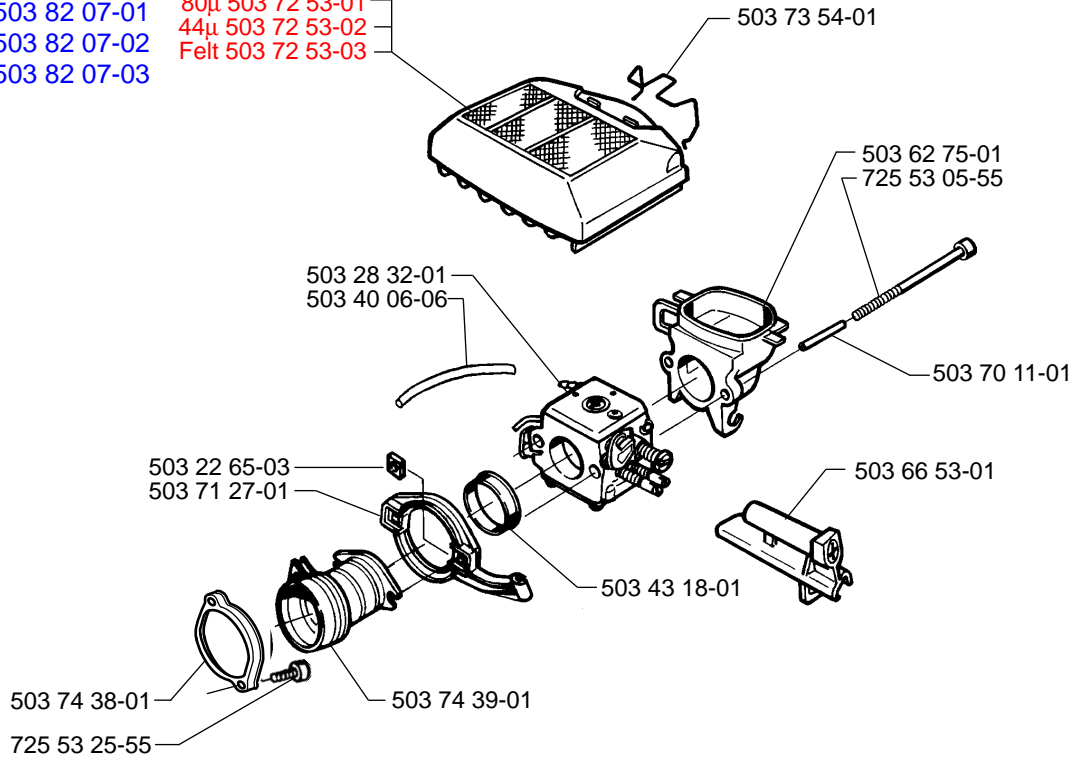
44μ: 503 82 07-02

Felt: 503 82 07-03

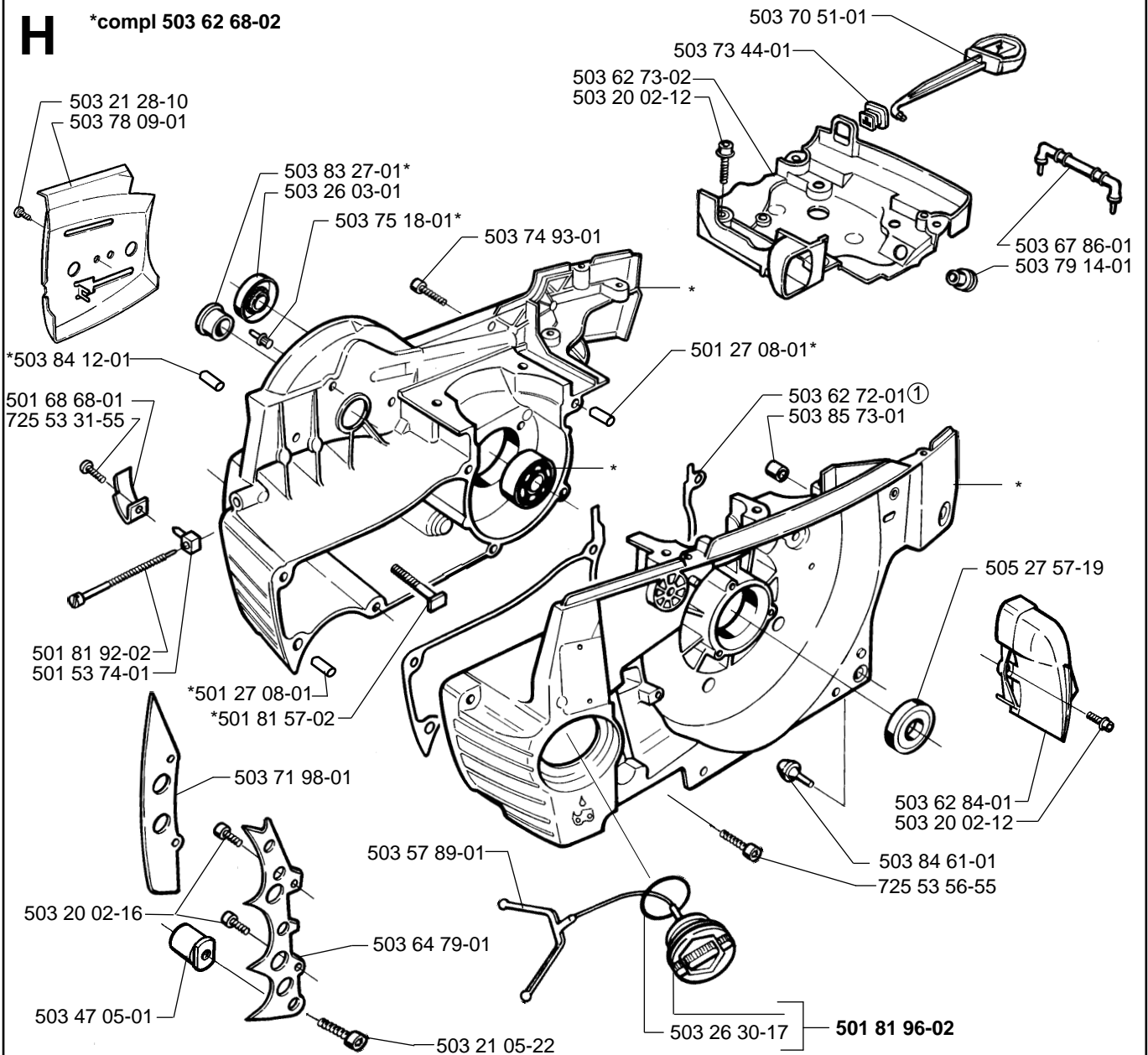
80μ 503 72 53-01

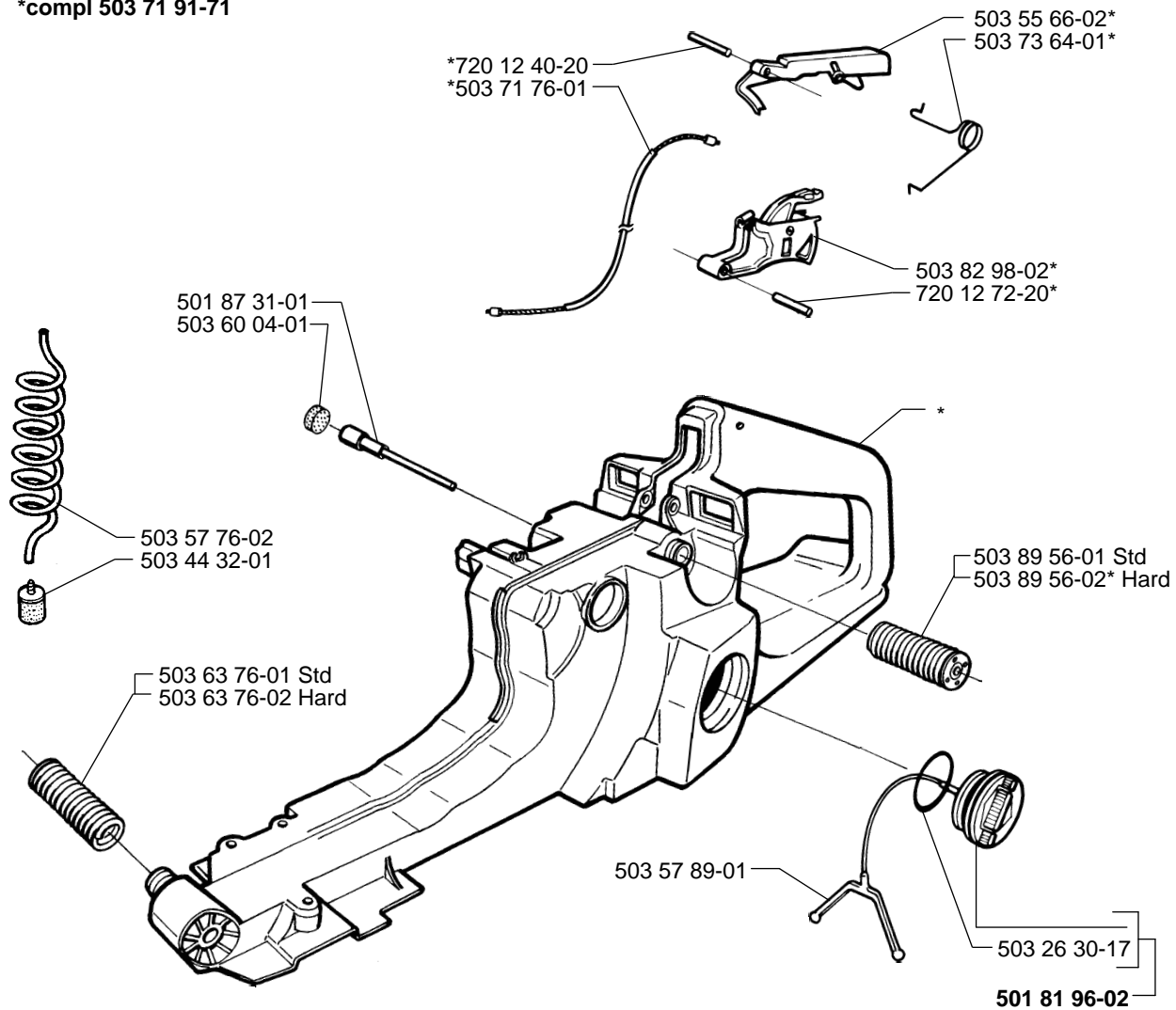
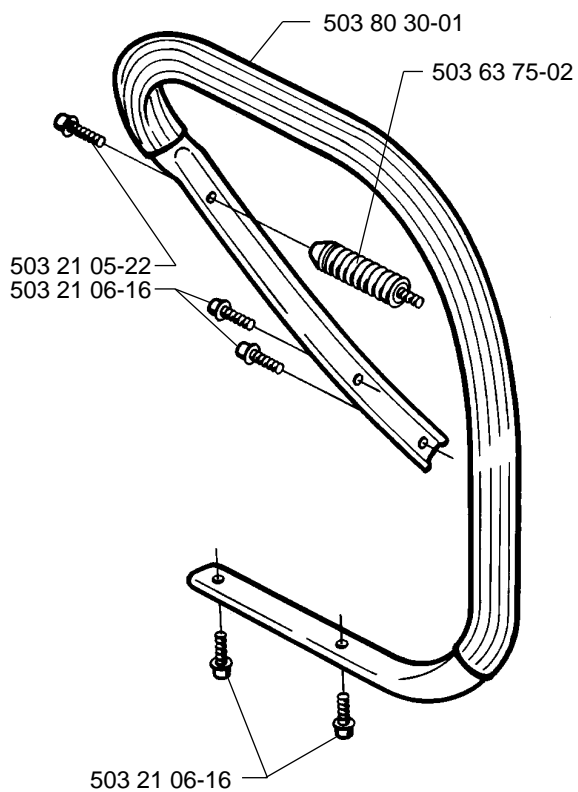
44μ 503 72 53-02

Felt 503 72 53-03

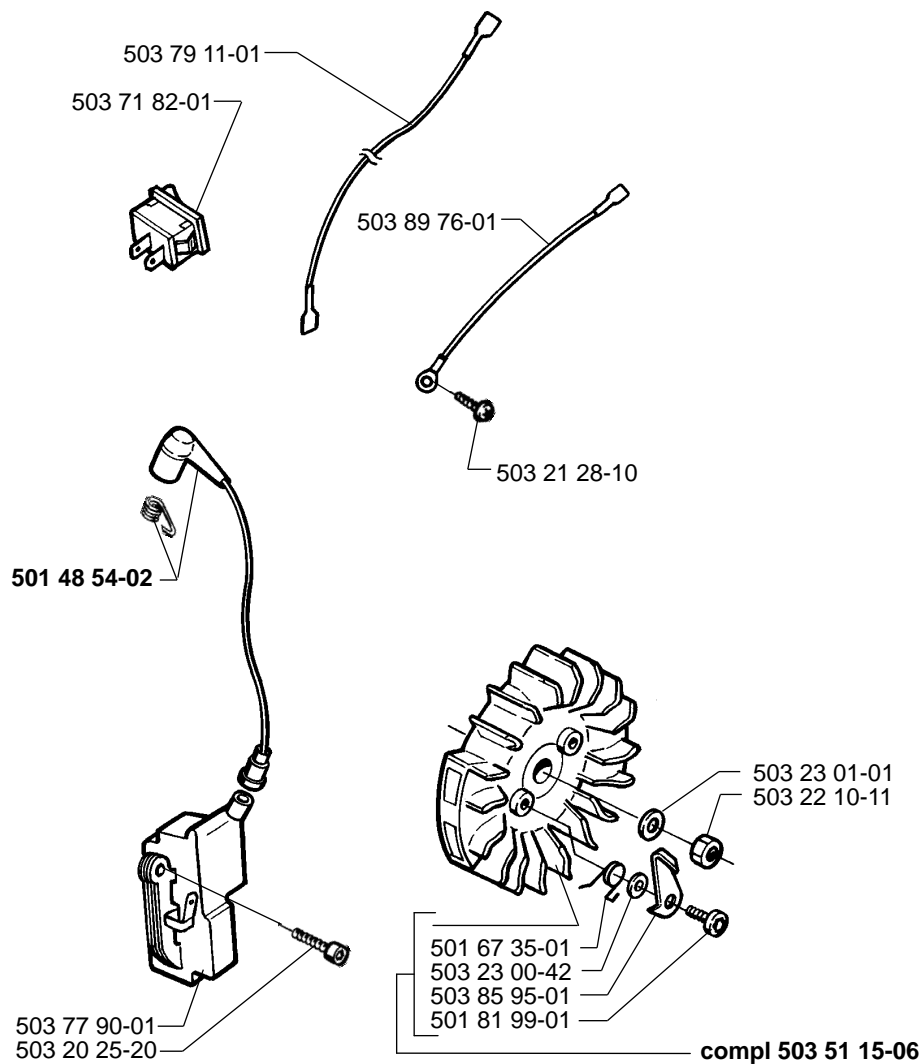
**H**

*compl 503 62 68-02



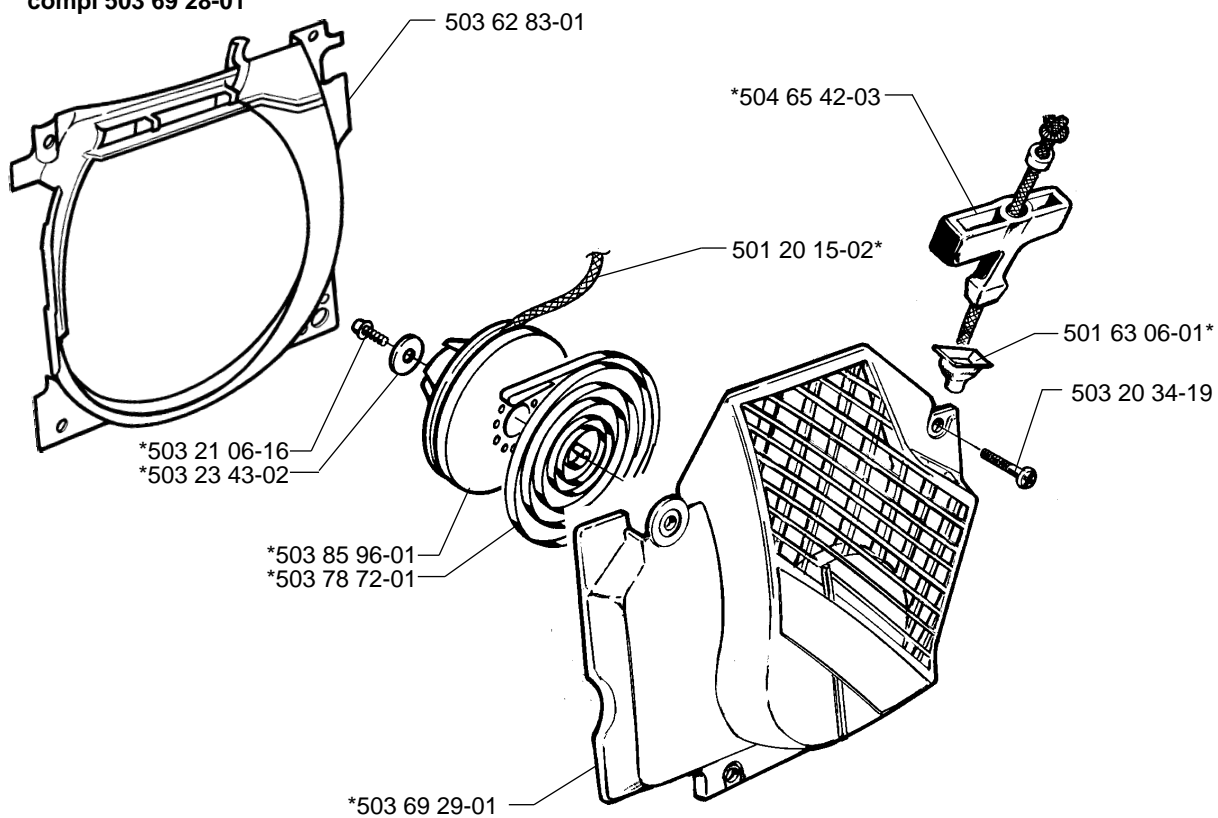
J***compl 503 71 91-71****K**

M



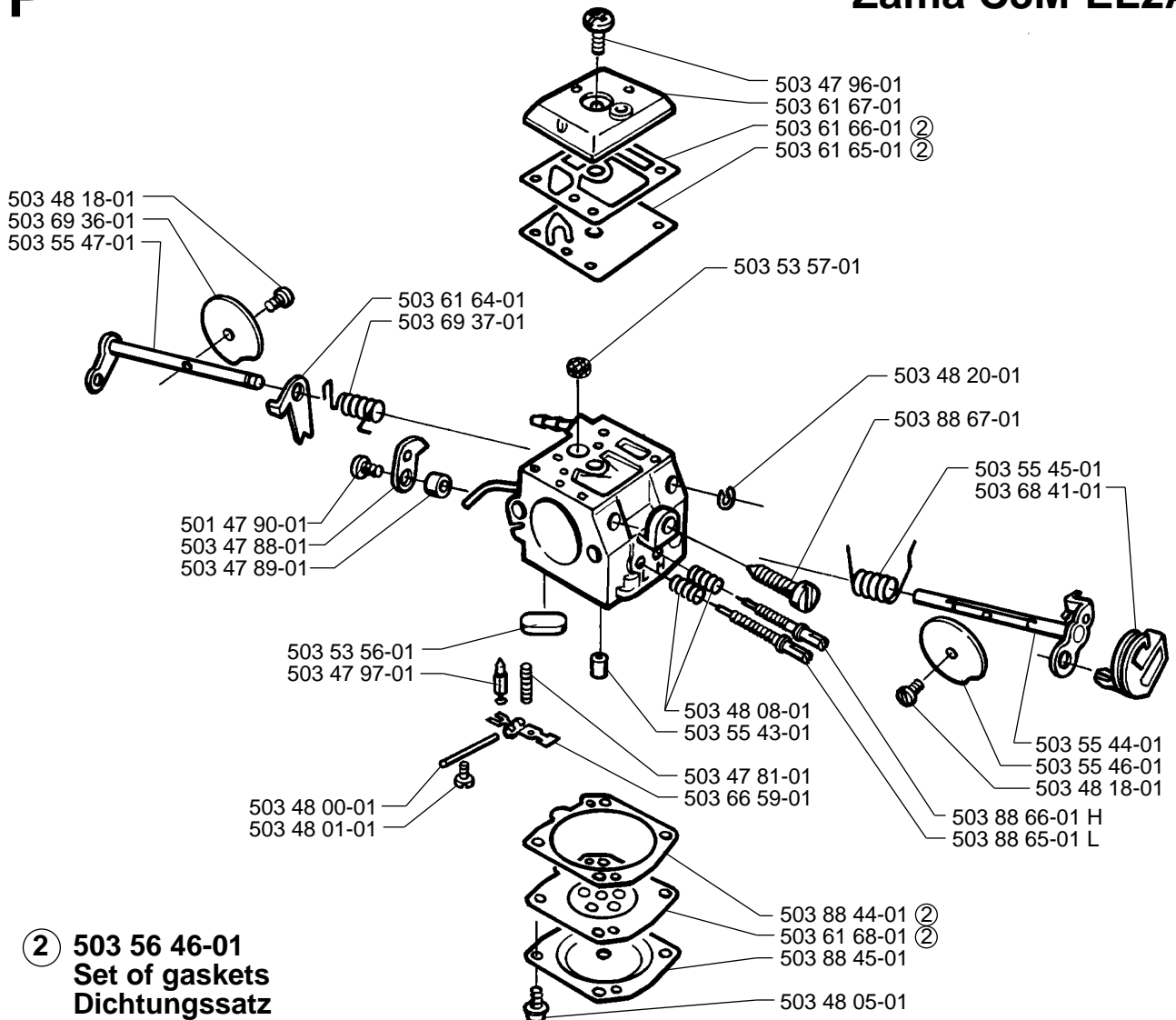
N

***compl 503 69 28-01**



P

compl 503 28 32-01

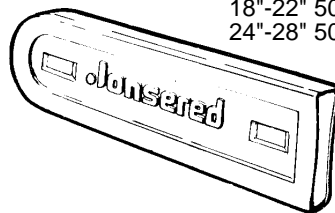
Zama C3M-EL2A

- ② 503 56 46-01
Set of gaskets
Dichtungssatz
Jeu de joints
Juego de juntas
Packingsats

Q

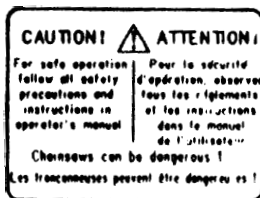
Accessories
Zubehöre
Accessories
Accessorios
Tillbehör

13"-16" 501 83 44-02
18"-22" 501 83 44-05
24"-28" 501 83 45-02

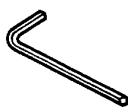


Jonsered 2065
TURBO

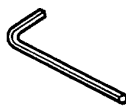
503 70 57-03



503 44 17-01



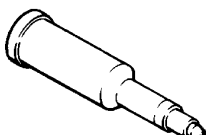
503 55 86-01 NV4



503 55 86-02 NV5

Jonsered
2065 TURBO

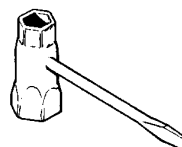
503 70 58-03



501 91 14-01



503 62 12-01



501 69 17-01

STOP

501 53 13-01

MODEL NUMBER 2065

PART NUMBER	SQUARE	NOTE	PART NUMBER	SQUARE	NOTE	PART NUMBER	SQUARE	NOTE	PART NUMBER	SQUARE	NOTE
501 20 15-02	N		503 53 57-01	P		503 75 22-01	A				
501 27 08-01	H		503 55 43-01	P		503 75 61-02	B				
501 47 90-01	P		503 55 44-01	P		503 76 29-01	A				
501 48 53-02	H		503 55 45-01	P		503 76 52-01	F				
501 48 54-02	M		503 55 46-01	P		503 76 53-01	F				
501 51 72-01	A		503 55 66-02	J		503 76 53-02	F				
501 53 74-01	H		503 55 86-01	Q		503 76 54-02	F				
501 54 41-02	B		503 55 86-02	Q		503 76 64-01	F				
501 59 80-02	B		503 56 00-01	G		503 76 65-01	F				
501 61 58-01	B		503 56 46-01	P	comp1 2	503 76 73-01	H				
501 63 06-01	N		503 57 76-02	J		503 76 74-01	A				
501 67 35-01	M		503 57 89-01	H		503 77 43-01	B				
501 68 68-01	H		503 60 04-01	J		503 77 52-01	A				
501 69 17-01	Q		503 61 64-01	P		503 77 58-01	D				
501 81 57-02	H		503 61 65-01	P	2	503 77 59-01	D	1			
501 81 92-02	H		503 61 66-01	P	2	503 77 90-01	M				
501 81 96-02	H, J		503 61 67-01	P		503 77 91-01	E				
501 81 99-01	M		503 61 68-01	P	2	503 78 09-01	H				
501 83 44-02			503 62 12-01	Q		503 78 72-01	N				
501 83 44-05	Q		503 62 49-01	B		503 79 11-01	M				
501 83 45-02	Q		503 62 68-02	H		503 79 14-01	H				
501 87 31-01	J		503 62 72-01	H	1	503 79 27-01	A				
501 87 53-03	A		503 62 73-02	H		503 80 30-01	K				
501 91 14-01	Q		503 62 74-01	G		503 81 13-01	B				
503 20 02-10	F		503 62 75-01	G		503 81 18-01	A				
503 20 02-12	A, H		503 62 83-01	N		503 81 30-01	B				
503 20 02-16	F, H		503 62 84-01	H		503 82 98-02	J				
503 20 25-20	M		503 63 75-02	K		503 83 27-01	H				
503 20 34-19	N		503 63 76-01	J		503 83 51-03	A				
503 20 34-25	C		503 63 76-02	J		503 83 81-01	A				
503 21 05-22	A, K		503 64 47-01	B		503 84 12-01	H				
503 21 06-16	K		503 64 79-01	H		503 84 61-01	H				
503 21 28-10	A, H, M		503 65 65-02	B		503 85 73-01	H				
503 21 90-08	A, F		503 66 53-01	G		503 85 95-01	M				
503 22 00-01	A		503 66 59-01	P		503 85 96-01	N				
503 22 10-11	M		503 67 86-01	H		503 86 17-01	B				
503 22 65-03	G		503 68 41-01	P		503 88 44-01	P	2			
503 23 00-04	B		503 69 10-72	D		503 88 45-01	P				
503 23 00-42	M		503 69 13-71	D		503 88 65-01	P				
503 23 00-59	B		503 69 28-01	N		503 88 66-01	P				
503 23 01-01	M		503 69 29-01	N		503 88 67-01	P				
503 23 43-02	N		503 69 36-01	P		503 89 56-01	J				
503 23 51-08	D		503 69 37-01	P		503 89 56-02	J				
503 25 45-01	B		503 69 74-01	C		503 89 70-01	A				
503 26 03-01	H		503 69 74-02	C		503 89 76-01	M				
503 26 30-17	H, J		503 70 11-01	G		503 90 99-01	D	1			
503 26 30-19	E		503 70 51-01	H		503 93 24-01	B				
503 27 21-01	A		503 70 57-03	Q		504 30 00-26	B				
503 28 32-01	GP		503 70 58-03	Q		505 27 57-19	H				
503 28 90-15	D		503 70 99-01	A		720 12 40-20	J				
503 40 06-06	G		503 71 27-01	G		720 12 72-20	J				
503 42 67-01	B		503 71 53-01	D		725 53 05-55	G				
503 43 18-01	G		503 71 76-01	J		725 53 29-55	B				
503 43 65-01	A		503 71 82-01	J		725 53 31-55	H				
503 44 32-01	J		503 71 91-71	J		725 53 33-55	D				
503 47 05-01	A		503 71 94-01	A		725 53 35-55	H				
503 47 81-01	P		503 71 97-01	A		725 53 70-55	F				
503 47 88-01	P		503 71 98-01	H		731 23 14-01	G				
503 47 89-01	P		503 72 53-01	G		737 44 12-00	D				
503 47 96-01	P		503 72 53-02	G		738 22 02-25	E				
503 47 97-01	P		503 72 53-03	G							
503 48 00-01	P		503 72 91-72	E							
503 48 01-01	P		503 73 39-01	D, E							
503 48 05-01	P		503 73 44-01	H							
503 48 08-01	P		503 73 54-01	G							
503 48 18-01	P		503 73 64-01	J							
503 48 20-01	P		503 74 43-01	B							
503 51 15-06	M		503 74 44-01	B							
503 52 13-01	B		503 74 93-01	H							
503 52 15-01	B		503 75 11-02	A							
503 53 56-01	P		503 75 18-01	H							

2=503 56 46-01 Set of gasket
 Dichtungssats
 Jeu de joints
 Juego de juntas
 Packningssats

1=503 64 72-01 Set of gaskets
 Dichtungssats
 Jeu de joints
 Juego de juntas
 Packningssats