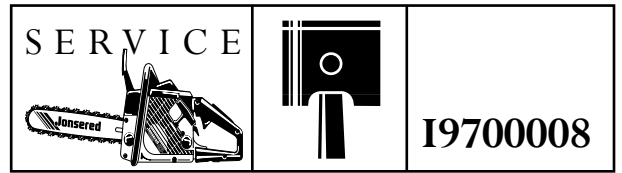


Jonsered



IPL, 2071, 2071 W, 1997-11, 106 24 45-62

2071 2071 W

Spare parts

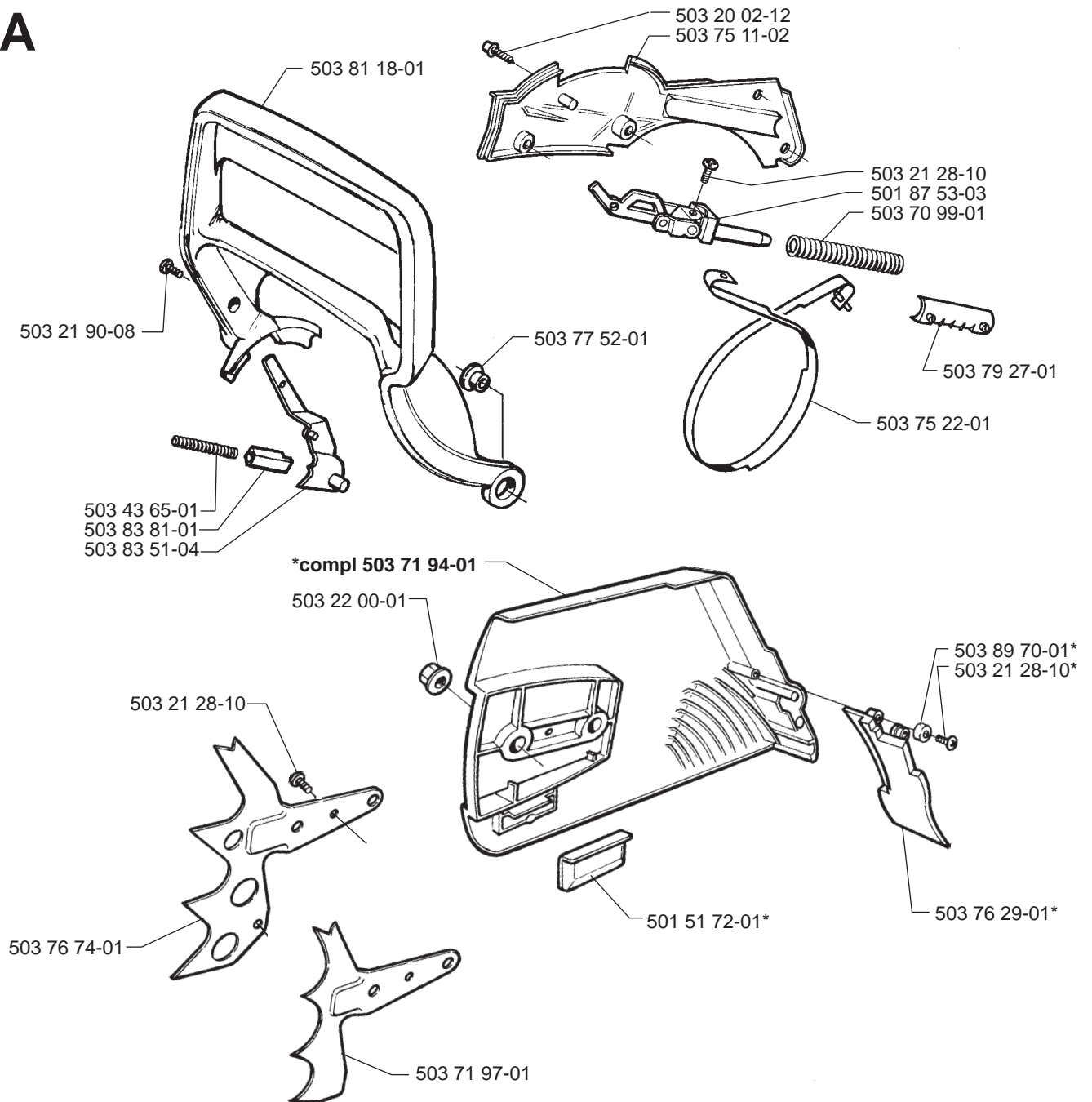
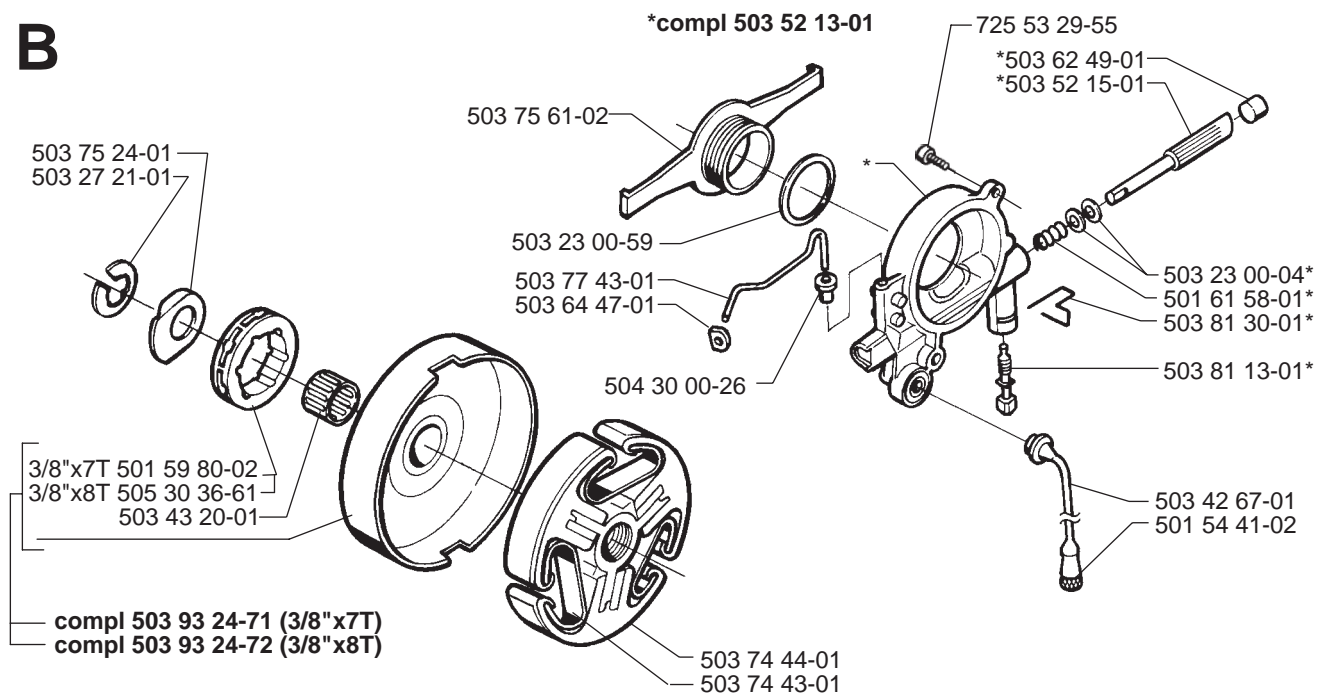
Ersatzteile

Pièces détachées

Reserve onderdelen

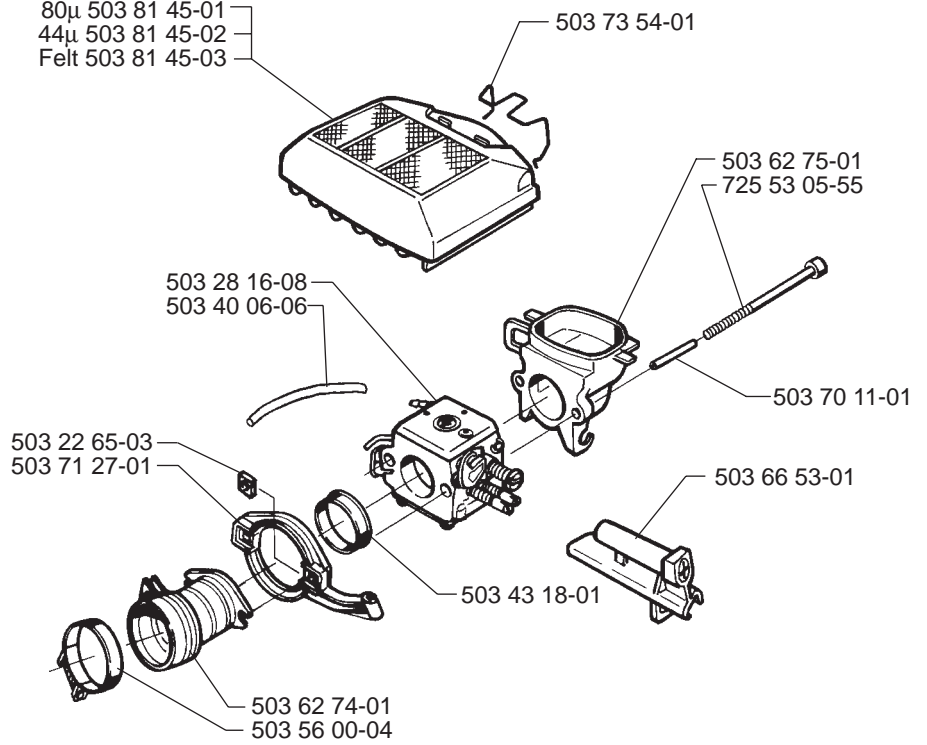
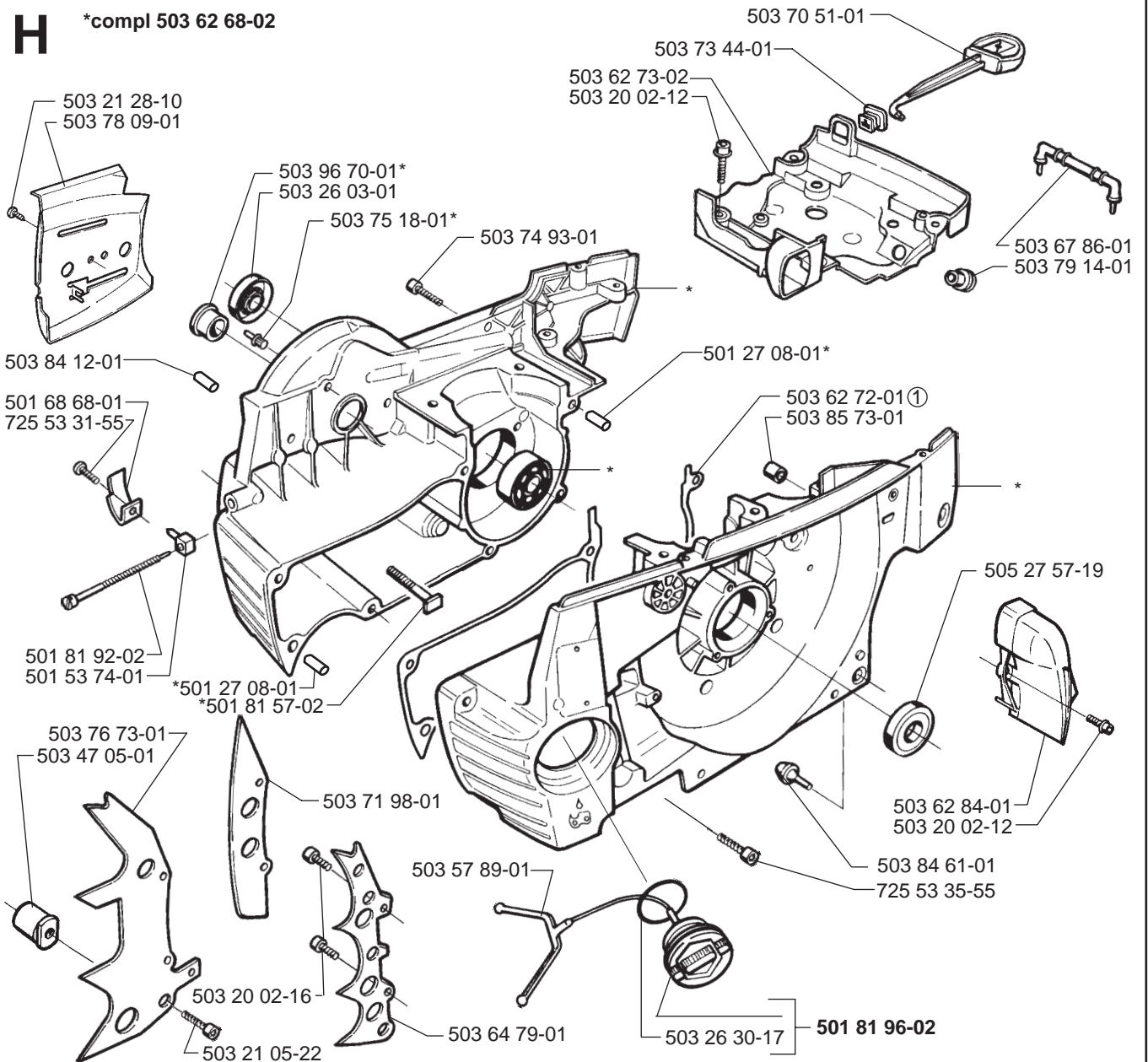
Repuestos

Reservdelar

A**B**

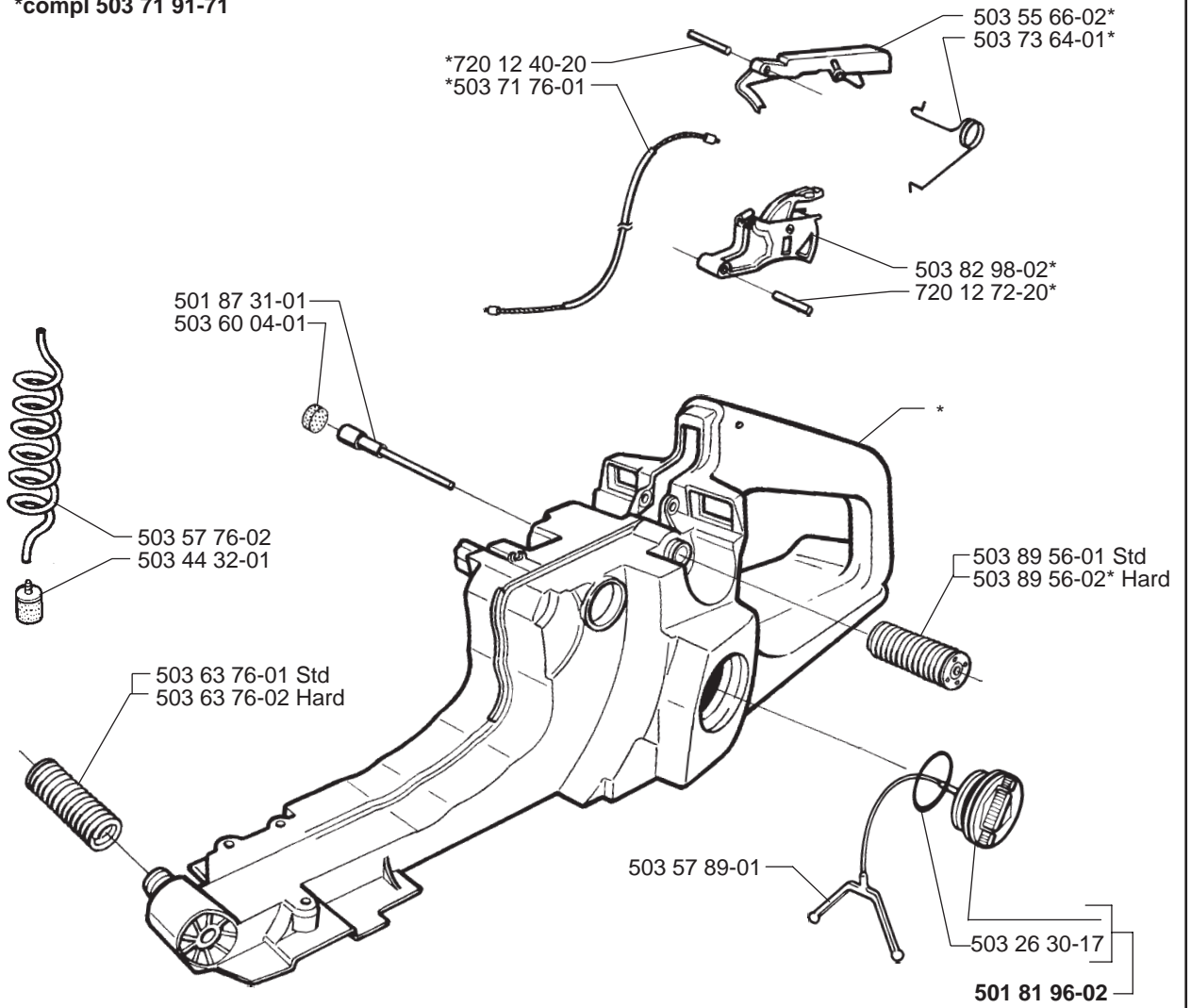
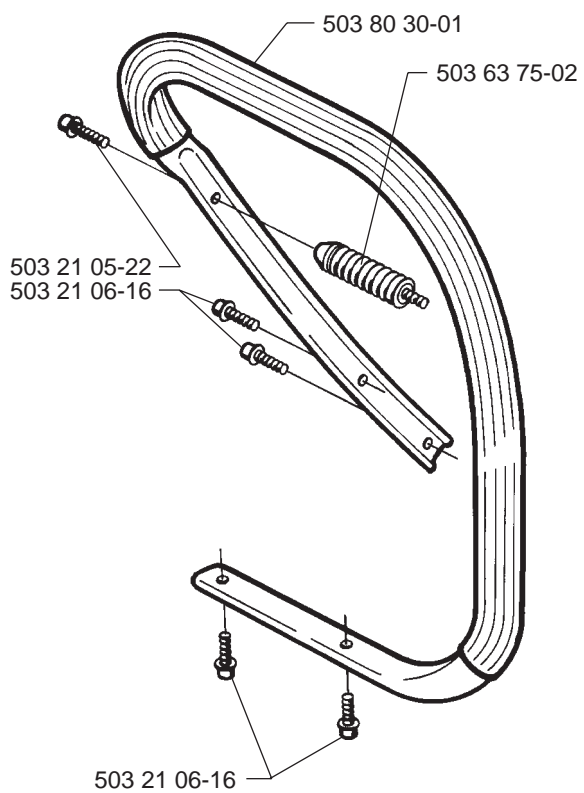
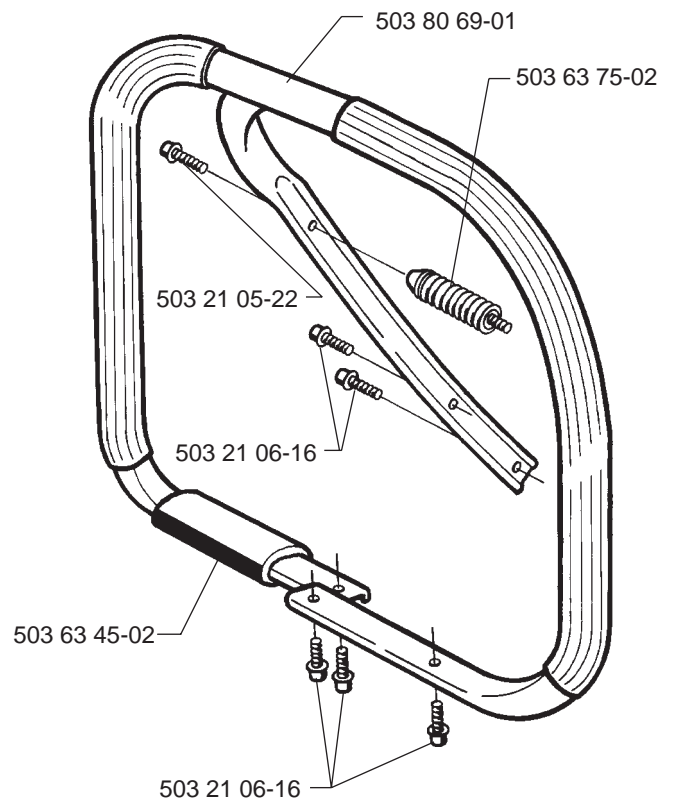
G

80µ 503 81 45-01
 44µ 503 81 45-02
 Felt 503 81 45-03

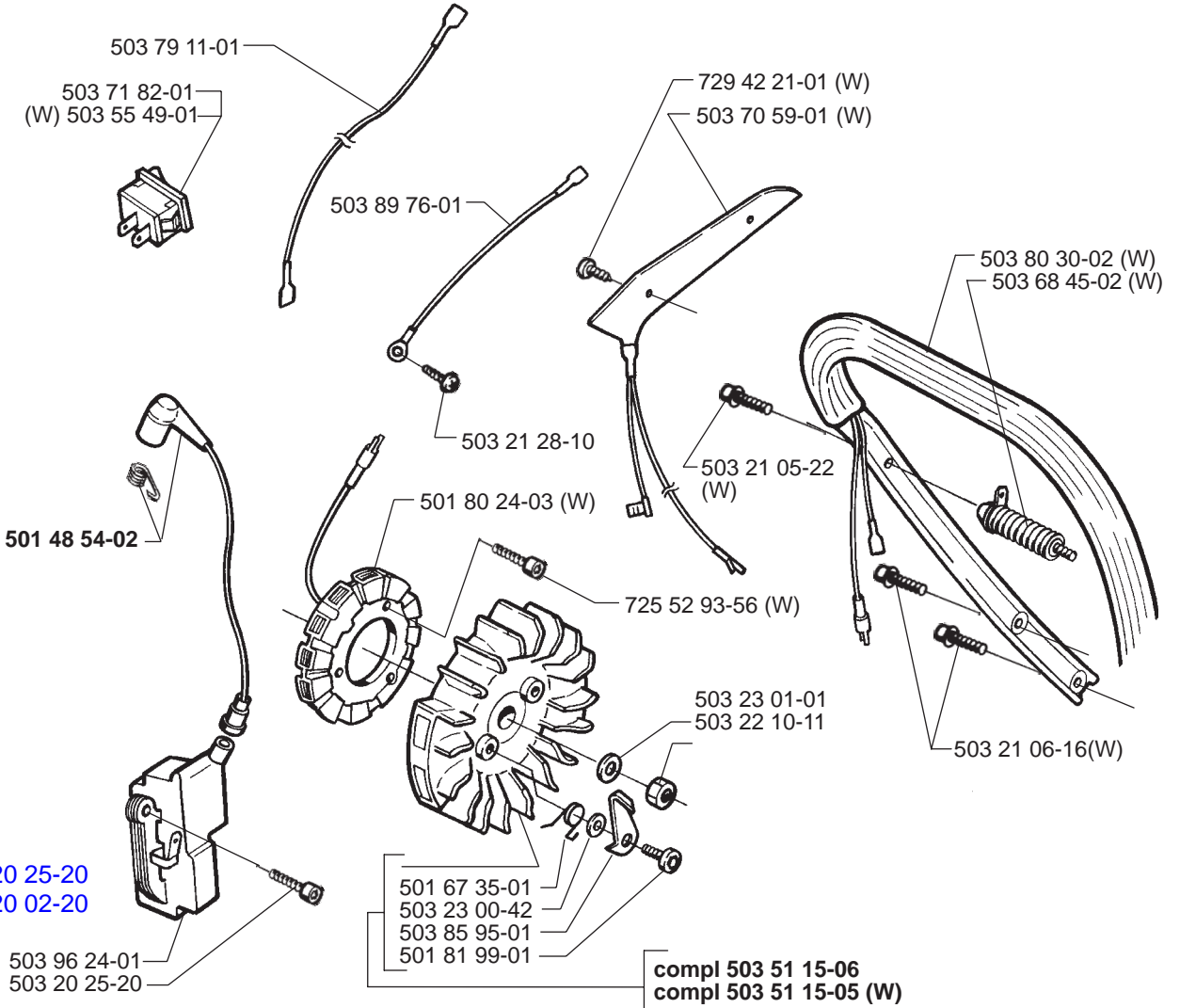
**H*****compl 503 62 68-02**

J

*compl 503 71 91-71

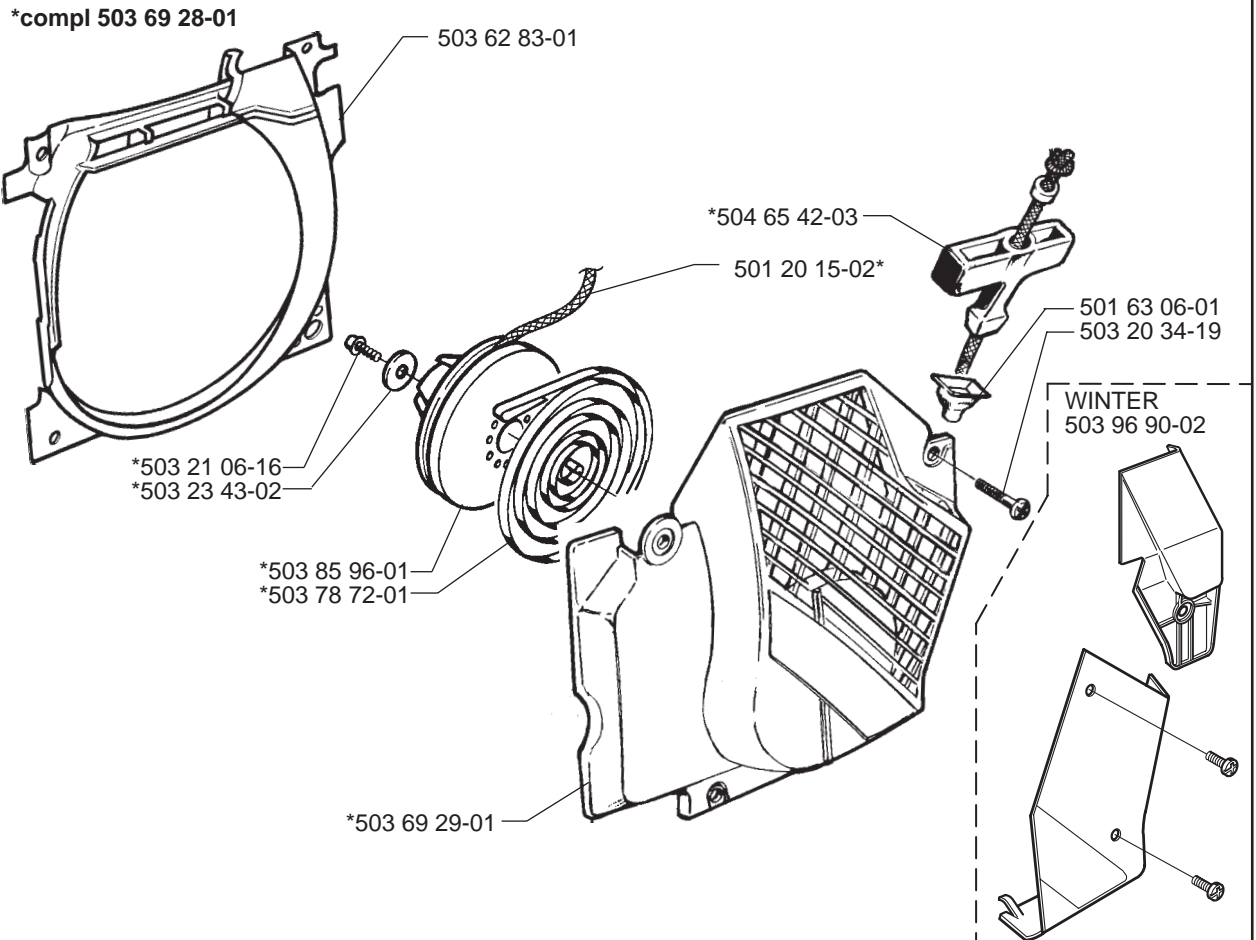
**K****L**

M



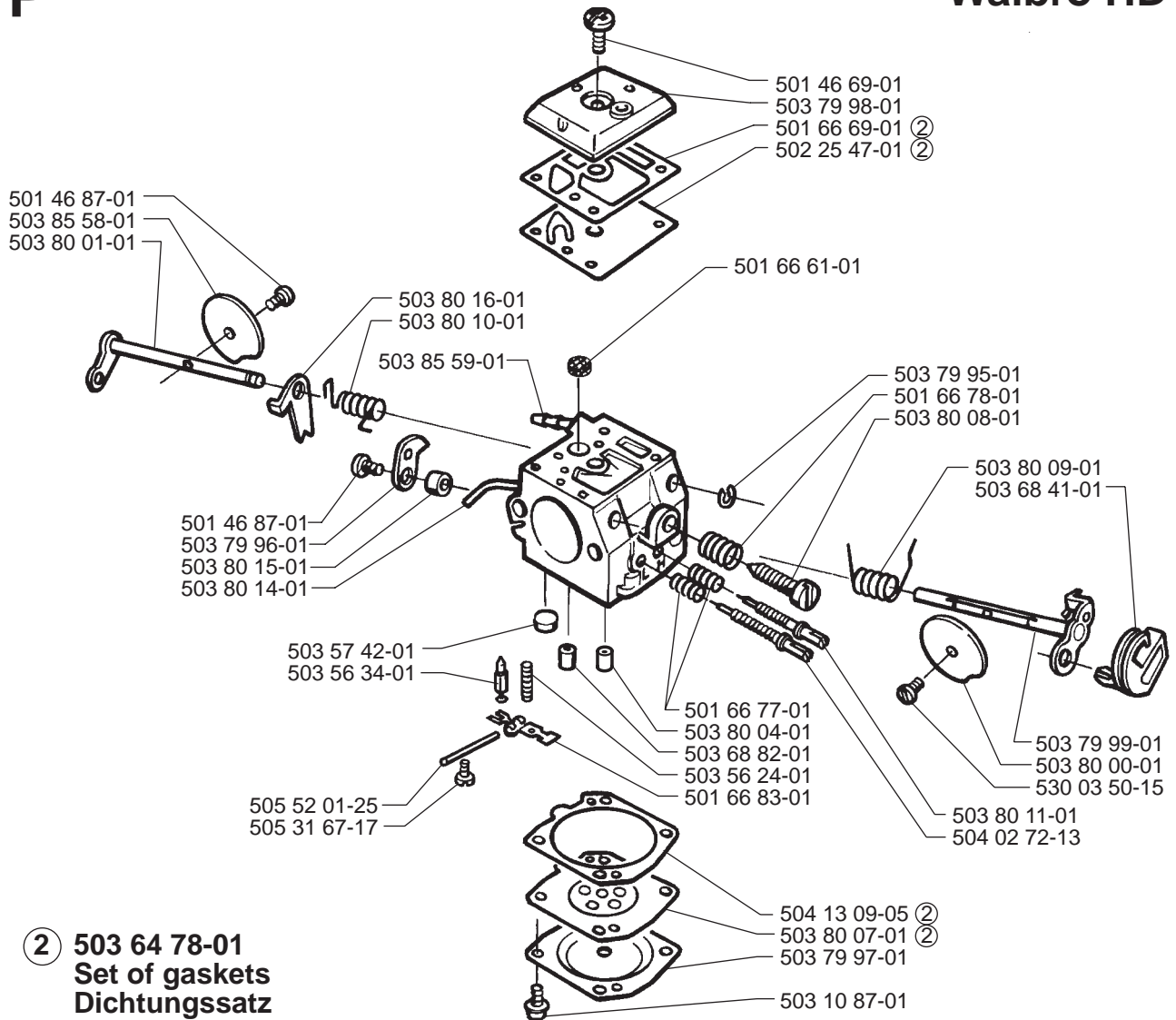
Note!
M4x20: 503 20 25-20
M5x20: 503 20 02-20

N



P

compl 503 28 16-08

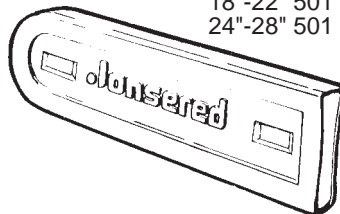
Walbro HD-6

(2) **503 64 78-01**
Set of gaskets
Dichtungssatz
Jeu de joints
Juego de juntas
Packingsatz

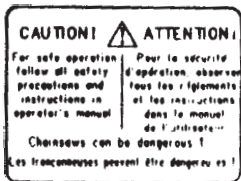
Q

Accessories
Zubehöre
Accessories
Accesorios
Tillbehör

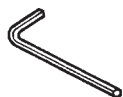
13"-16" 501 83 44-02
 18"-22" 501 83 44-05
 24"-28" 501 83 45-02



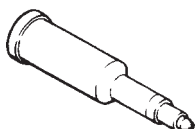
503 44 17-01



503 55 86-01 NV4



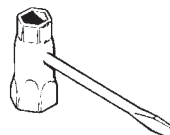
503 55 86-02 NV5



501 91 14-01



503 62 12-01



501 69 17-01



503 70 57-01



503 70 57-02



503 70 58-01



503 70 58-02



501 53 13-01

MODEL NUMBER 2071

PART NUMBER	SQUARE	NOTE	PART NUMBER	SQUARE	NOTE	PART NUMBER	SQUARE	NOTE	PART NUMBER	SQUARE	NOTE
501 20 15-02	N		503 55 66-02	J		503 76 53-02	F		720 12 72-20	J	
501 27 08-01	H		503 55 86-01	Q		503 76 54-02	F		725 52 93-56	M	
501 46 69-01	P		503 55 86-02	Q		503 76 64-01	F		725 53 05-55	G	
501 46 87-01	P		503 56 00-04	G		503 76 65-01	F		725 53 29-55	B	
501 48 54-02	M		503 56 24-01	P		503 76 73-01	H		725 53 31-55	H	
501 51 72-01	A		503 56 34-01	P		503 76 74-01	A		725 53 33-55	D	
501 53 13-01	Q		503 57 42-01	P		503 77 43-01	B		725 53 35-55	H	
501 53 74-01	H		503 57 76-02	J		503 77 52-01	A		725 53 70-55	F	
501 54 41-02	B		503 57 89-01	H		503 77 58-01	D		729 42 21-01	M	
501 59 80-02	B		503 60 04-01	J		503 77 59-01	D	1	737 44 12-00	D	
501 61 58-01	B		503 62 12-01	Q		503 77 91-01	E		738 22 02-25	E	
501 63 06-01	N		503 62 49-01	B		503 78 09-01	H				
501 66 61-01	P		503 62 64-72	D		503 78 72-01	N				
501 66 69-01	P	2	503 62 68-02	H		503 79 11-01	M				
501 66 77-01	P		503 62 72-01	H	1	503 79 14-01	H				
501 66 78-01	P		503 62 73-02	H		503 79 27-01	A				
501 66 83-01	P		503 62 74-01	G		503 79 95-01	P				
501 67 35-01	M		503 62 75-01	G		503 79 96-01	P				
501 68 68-01	H		503 62 83-01	N		503 79 97-01	P				
501 69 17-01	Q		503 62 84-01	H		503 79 98-01	P				
501 80 24-03	M		503 63 45-02	L		503 79 99-01	P				
501 81 57-02	H		503 63 75-02	K, L		503 80 00-01	P				
501 81 92-02	H		503 63 76-01	J		503 80 01-01	P				
501 81 96-02	H, J		503 63 76-02	J		503 80 04-01	P				
501 81 99-01	M		503 64 47-01	B		503 80 07-01	P	2			
501 83 44-02			503 64 78-01	P	2 compl	503 80 08-01	P				
501 83 44-05	Q		503 64 79-01	H		503 80 09-01	P				
501 83 45-02	Q		503 66 53-01	G		503 80 10-01	P				
501 87 31-01	J		503 67 86-01	H		503 80 11-01	P				
501 87 53-03	A		503 68 41-01	P		503 80 14-01	P				
501 91 14-01	Q		503 68 45-02	M		503 80 15-01	P				
502 25 47-01	P		503 68 82-01	P		503 80 16-01	P				
503 10 87-01	P		503 69 12-71	D		503 80 30-01	K				
503 20 02-10	F		503 69 28-01	N		503 80 30-02	M				
503 20 02-12	A, H		503 69 29-01	N		503 80 69-01	L				
503 20 02-16	F, H		503 69 60-01	C		503 81 13-01	B				
503 20 25-20	M		503 69 91-02	C		503 81 18-01	A				
503 20 34-19	N		503 70 08-05	C		503 81 30-01	B				
503 20 34-25	C		503 70 08-06	C		503 81 45-01	G				
503 21 05-22	A, K, L, M		503 70 11-01	G		503 81 45-02	G				
503 21 06-16	K, L, N		503 70 51-01	H		503 81 45-03	G				
503 21 28-10	A, H, M		503 70 57-01	Q		503 82 98-02	J				
503 21 90-08	A, F		503 70 57-02	Q		503 83 51-04	A				
503 22 00-01	A		503 70 58-01	Q		503 83 81-01	A				
503 22 10-11	M		503 70 58-02	Q		503 84 12-01	H				
503 22 65-03	G		503 70 59-01	M		503 84 61-01	H				
503 23 00-04	B		503 70 99-01	A		503 85 58-01	P				
503 23 00-42	M		503 71 27-01	G		503 85 59-01	P				
503 23 00-59	B		503 71 53-01	D		503 85 73-01	H				
503 23 01-01	M		503 71 76-01	J		503 85 95-01	M				
503 23 43-02	N		503 71 82-01	M		503 85 96-01	N				
503 23 51-08	D		503 71 91-71	J		503 89 56-01	J				
503 26 03-01	H		503 71 94-01	A		503 89 56-02	J				
503 26 30-17	H, J		503 71 97-01	A		503 89 70-01	A				
503 26 30-19	E		503 71 98-01	H		503 89 76-01	M				
503 27 21-01	B		503 72 91-74	E		503 90 99-01	D	1			
503 28 16-08	G, P		503 73 39-01	D, E		503 93 24-71	B				
503 28 90-17	D		503 73 44-01	H		503 93 24-72	B				
503 40 06-06	G		503 73 54-01	G		503 96 24-01	M				
503 42 67-01	B		503 73 64-01	J		503 96 70-01	H				
503 43 18-01	G		503 74 43-01	B		503 96 90-02	N				
503 43 20-01	B		503 74 44-01	B		504 02 72-13	P				
503 43 65-01	A		503 74 93-01	H		504 13 09-05	P	2			
503 44 17-01	Q		503 75 11-02	A		504 30 00-26	B				
503 44 32-01	J		503 75 18-01	H		504 65 42-03	N				
503 47 05-01	A		503 75 22-01	A		505 27 57-19	H				
503 51 15-05	M		503 75 24-01	B		505 30 36-61	B				
503 51 15-06	M		503 75 61-02	B		505 31 67-17	P				
503 52 13-01	B		503 76 29-01	A		505 52 01-25	P				
503 52 15-01	B		503 76 52-01	F		530 03 50-15	P				
503 55 49-01	M		503 76 53-01	F		720 12 40-20	J				

2=503 64 78-01 Set of Gasket
 Dichtungssats
 Jeu de joints
 Juego de juntas
 Packningssats

1=503 64 72-01 Set of gaskets
 Dichtungssats
 Jeu de joints
 Juego de juntas
 Packningssats