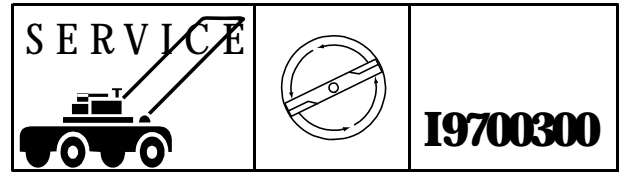


# Jonsered



IPL, 600 RDII, 1997-04-23, 108 07 06-26

# 600 RDII

**Spare parts**

**Ersatzteile**

**Pièces détachées**

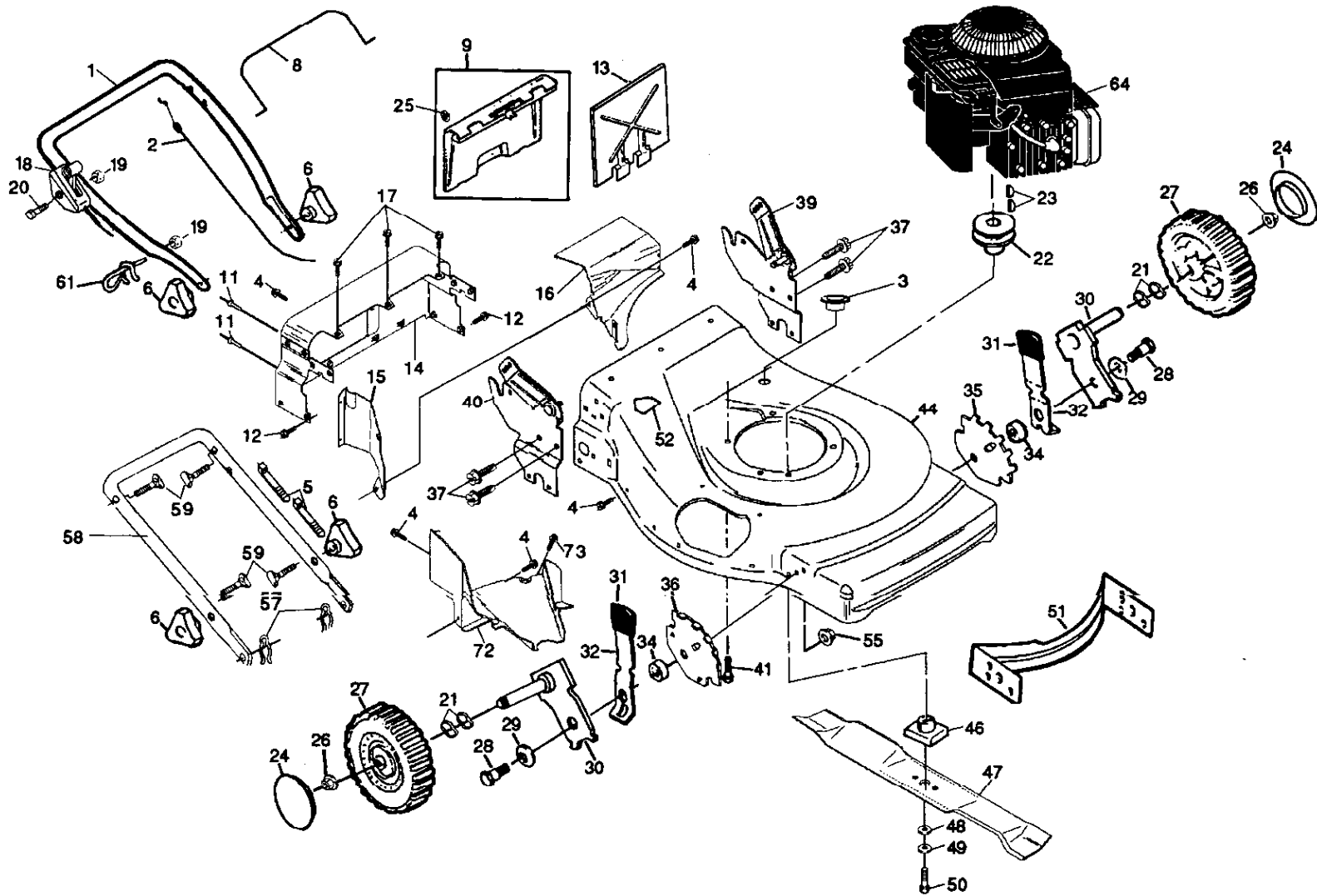
**Reserve onderdelen**

**Repuestos**

**Reservdelar**

**Product No: 954 13 00-06**

# A

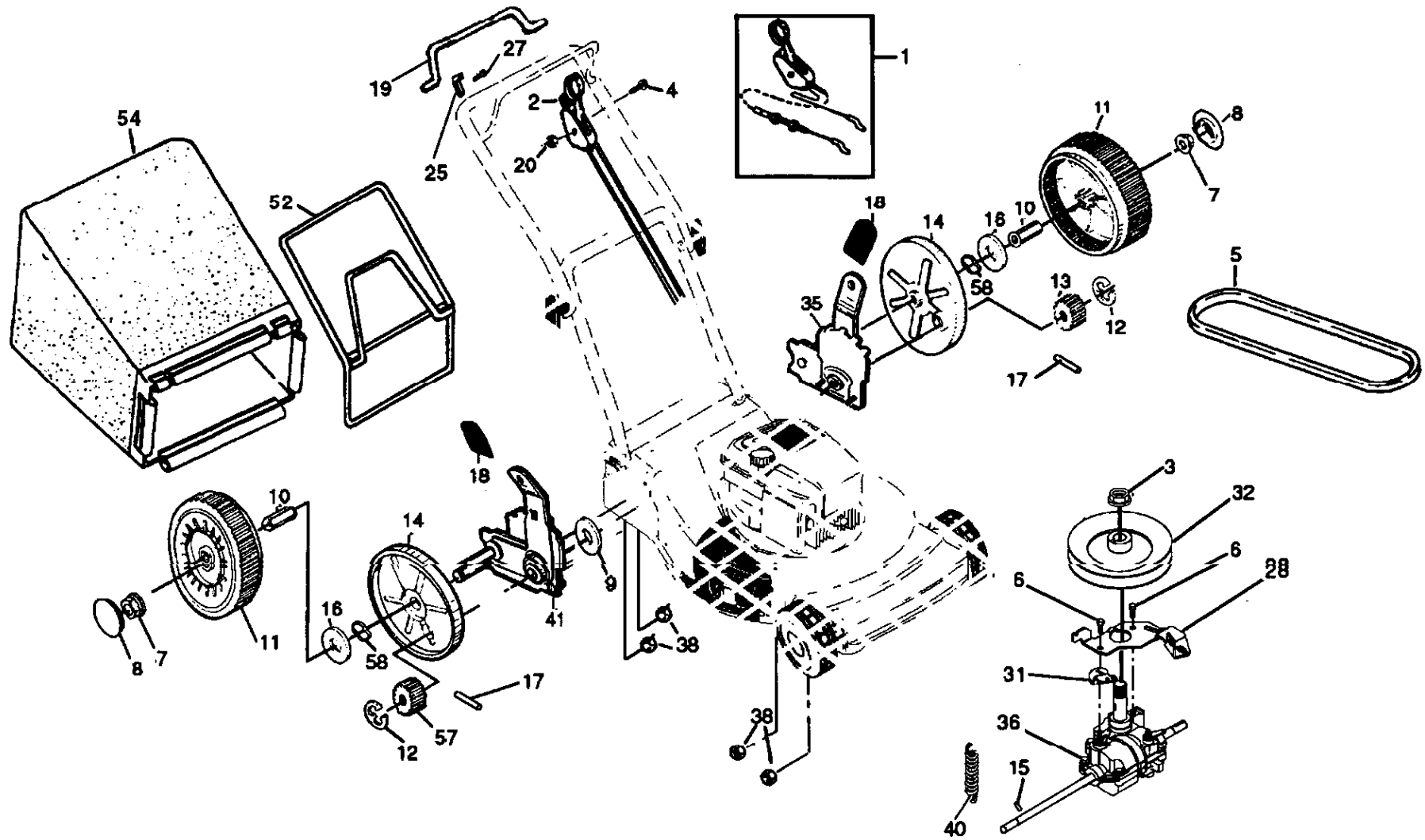


# A

KEY NO.	PART NO	DESCRIPTION
1	532 15 50-60	Upper Handle
2	532 14 97-71	Engine Zone Control Cable
3	532 14 50-73	Grommet, Cable
4	532 15 00-50	Screw, Hex Tapping #10-24 x 1/2
5	532 15 15-17	Wire Tie
6	532 13 63-76	Handle Knob
8	532 14 56-41	Control Bar, Engine
9	532 14 76-90	Rear Door Kit
11	532 12 84-15	Pop Rivets
12	532 05 45-83	Hex Tapping Screw 1/4-20 x 1/2
13	532 15 00-99	Mulcher Plate
14	532 15 38-19	Back Plate
15	532 15 38-27	Side Baffle
16	532 15 38-24	Discharge Baffle
17	532 14 90-27	Truss Head Tapping Screw 1/4-20 x 1/2
18	532 70 06-44	Control, Throttle
19	532 06 36-01	Nut
20	532 05 99-35	Screw
21	532 05 71-43	Wave Washer
22	532 08 45-96	Engine Pulley
23	532 08 76-77	Hi-Pro Key #505
24	532 15 01-82	Hubcap
25	812 00 00-14	E-Ring
26	532 08 39-23	Nut, Hex Flange
27	532 15 11-63	Wheel & Tire Assembly
28	532 14 27-48	Shoulder Bolt 3/8-16
29	532 06 23-35	Belleville Washer
30	532 15 12-54	Axle Arm Assembly
31	532 13 28-00	Selector Knob

KEY NO.	PART NO	DESCRIPTION
32	532 12 50-66	Selector Spring
34	532 14 66-30	Spacer
35	532 13 43-41	Wheel Adjusting Bracket (Left)
36	532 13 43-40	Wheel Adjusting Bracket (Right)
37	532 15 00-78	Thread Cutting Screw 5/16-18 x 3/4
39	532 15 38-21	Handle Bracket Assembly (Left)
40	532 15 38-20	Handle Bracket Assembly (Right)
41	532 15 04-06	Engine Bolt
44	532 15 37-48	Lawn Mower Housing (Incl. Key #14,15,51 &52)
46	532 85 15-14	Blade Adapter
47	532 14 14-43	Blade 22"
48	532 85 10-74	Hardened Washer
49	532 85 02-63	Helical Washer 3/8-24 x 1-3/8 Grd. 8
50	532 85 10-84	Hex Head Machine Screw 3/8-24 x 1-3/8 Grd. 8
51	532 14 89-02	Front Baffle
52	532 14 54-94	Danger Decal
55	532 75 15-92	Locknut 3/8-16
57	532 05 17-93	Hairpin Cotter
58	532 15 38-25	Lower Handle
59	532 13 19-59	Handle Bolt
61	532 13 20-01	Rope Guide
64	-----	Engine - Briggs -
72	532 14 50-62	Baffle/Belt Cover
73	817 41 13-12	Screw

**B**

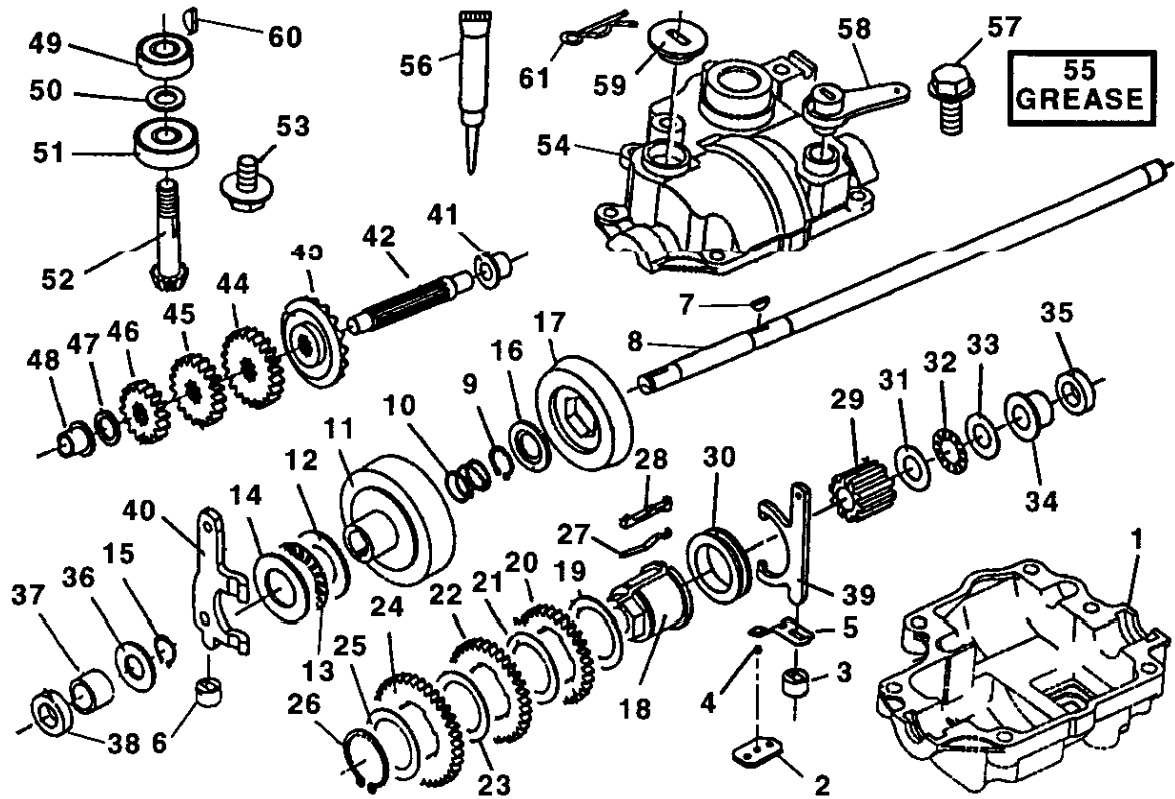


# B

KEY NO.	PART NO.	DESCRIPTION
1	532 14 50-88	Drive Control
2	532 14 77-15	Drive Head Kit
3	873 03 10-00	Nut, Metric
4	532 14 49-29	Screw 1/4-20
5	532 15 03-27	V-Belt
6	532 14 63-15	Screw
7	532 08 39-23	Nut, Hex Flange
8	532 15 01-81	Hubcap
9	532 05 70-79	Washer
10	532 08 84-46	Nylon Bushing
11	532 15 78-91	Wheel & Tire Assembly
12	812 00 00-58	E-Ring
13	532 85 00-17	Pinion, L.H.
14	532 08 80-80	Dust Cover
15	532 14 53-54	Pin, Spring Thrust
16	532 06 77-25	Washer 1/2 x 1-1/2 x .134
17	532 85 19-80	Drive Pin

KEY NO.	PART NO.	DESCRIPTION
18	532 13 28-00	Selector Knob
19	532 14 50-71	Control Bar, Drive
20	532 75 11-52	Nut
25	532 12 51-62	Upstop Bracket
27	532 75 00-97	Screw #10-24 x 1/2
28	532 15 38-22	Bracket, Gearcase
31	532 15 38-23	Lever, Clutch
32	532 15 03-26	Drive Pulley
35	532 15 51-81	Wheel Adjuster Assembly (Left)
36	532 15 03-30	Gear Case Assembly
38	532 06 36-01	Hex Locknut 1/4-20
40	532 14 49-02	Spring, Belt Tension
41	532 15 51-80	Wheel Adjuster Assembly (Right)
52	532 15 02-24	Catcher Frame
54	532 15 37-46	Grassbag Assembly
57	532 85 00-16	Pinion, R.H.
58	532 05 71-43	Wave Washer

**C**



KEY PART NO.	NO.	DESCRIPTION
1		Case, Lower
2	532 14 81-23	Plate, Detent
3		Support, Fork, Shift
4	532 14 81-35	Ball, Detent
5	532 14 81-22	Spring, Detent
6	532 14 81-32	Support, Fork, Clutch
7		Key, Woodruff
8		Axle, Shaft
9		Ring, 12.7
10		Spring, Return
11		Cone, Case
12		Washer, Thrust
13		Bearing, Thrust, Needle

KEY PART NO.	NO.	DESCRIPTION
14		Washer, Thrust
15		Ring, 12.7
16		Washer, Retainer
17	532 14 81-03	Cone
18		Collar, Shift
19		Washer
20		Gear, 33 Tooth
21		Washer
22		Gear, 36 Tooth
23		Washer
24		Gear, 40 Tooth
25		Washer
26		Ring 28

KEY PART NO.	PART NO.	DESCRIPTION
27		Spring, Shin
28		Key, Shift
29		Support, Key
30		Collar, Shift
31		Washer, Thrust 1/2
32		Bearing, Thrust, Needle
33		Washer, Thrust 1/2
34		Bushing, Transmission 1/2
35	532 14 81-07	Seal 1/2
36		Washer, Retainer
37		Bushing, Transmission
38	532 14 81-07	Seal 1/2
39		Fork, Shift
40		Fork, Clutch
41		Bushing
42		Shaft, Reduction
43		Gear, Bevel 35 Tooth
44		Gear, Spur 19 Tooth
45		Gear, Spur 16 Tooth
46		Gear, Spur 12 Tooth
47		Washer
48		Bushing
49		Bearing, Ball 6000U
50		Washer, 10
51		Bearing, Ball 6200
52		Shaft, Input
53		Screw, Self-Tapping
54		Case, Upper
55		Grease
56	532 14 81-42	Sealant
57	532 14 81-47	Screw, Self-Tapping, Case
58		Arm, Shift
59		Support, Upper, Clutch
60	532 14 81-38	Key, Woodruff
61		Pin, Snap 14

**NOTE:** All component dimensions given in U.S. inches  
1 inch = 25.4 mm