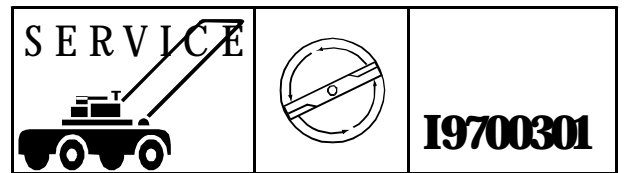


Jonsered



IPL, RT5, FT5, 1997-01

RT5, FT5

Spare parts

Ersatzteile

Pièces détachées

Reserve onderdelen

Repuestos

Reservdelar

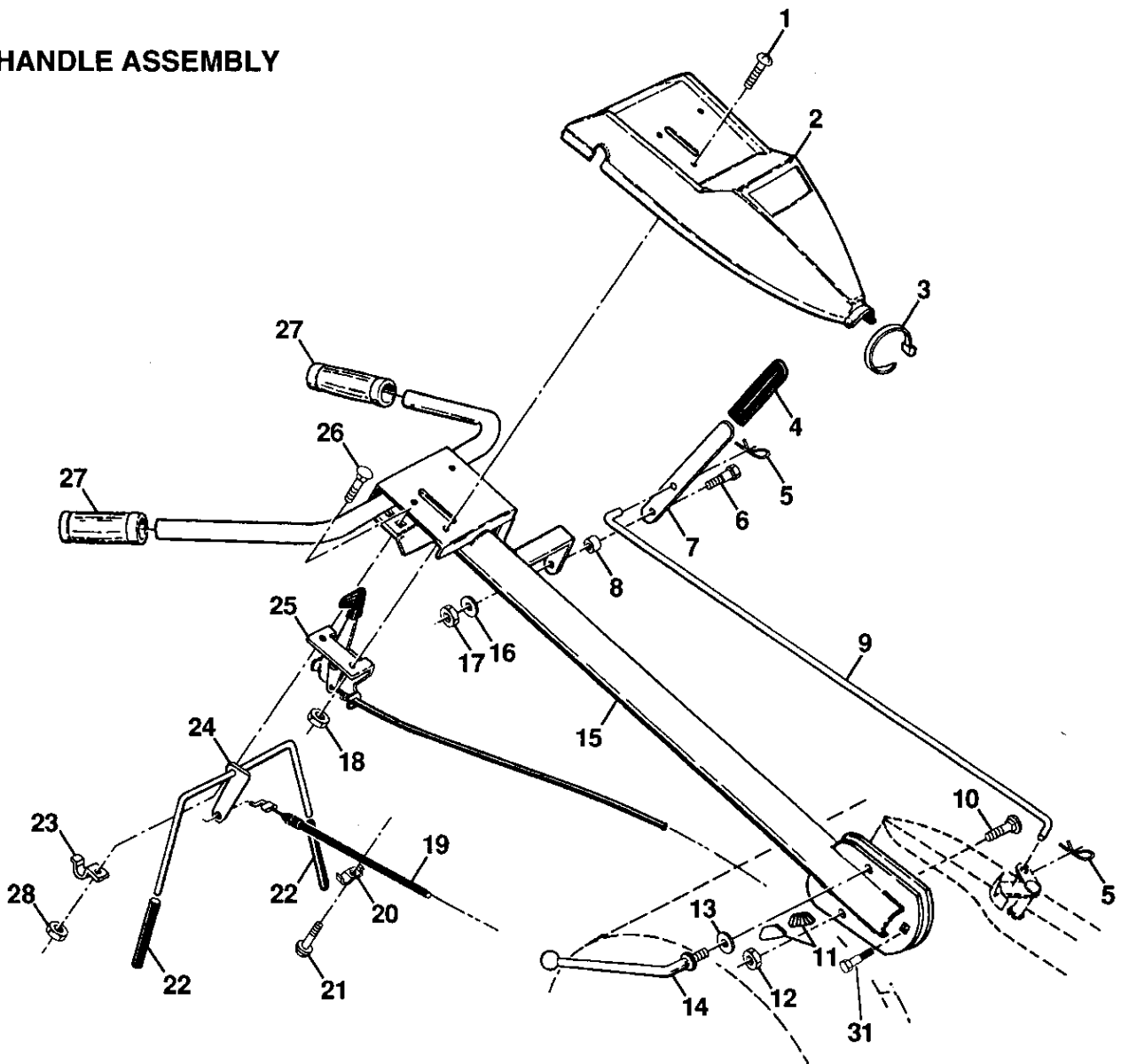
Product No:

RT5: 954 00 34-51

FT5: 954 00 33-11

RT5

HANDLE ASSEMBLY

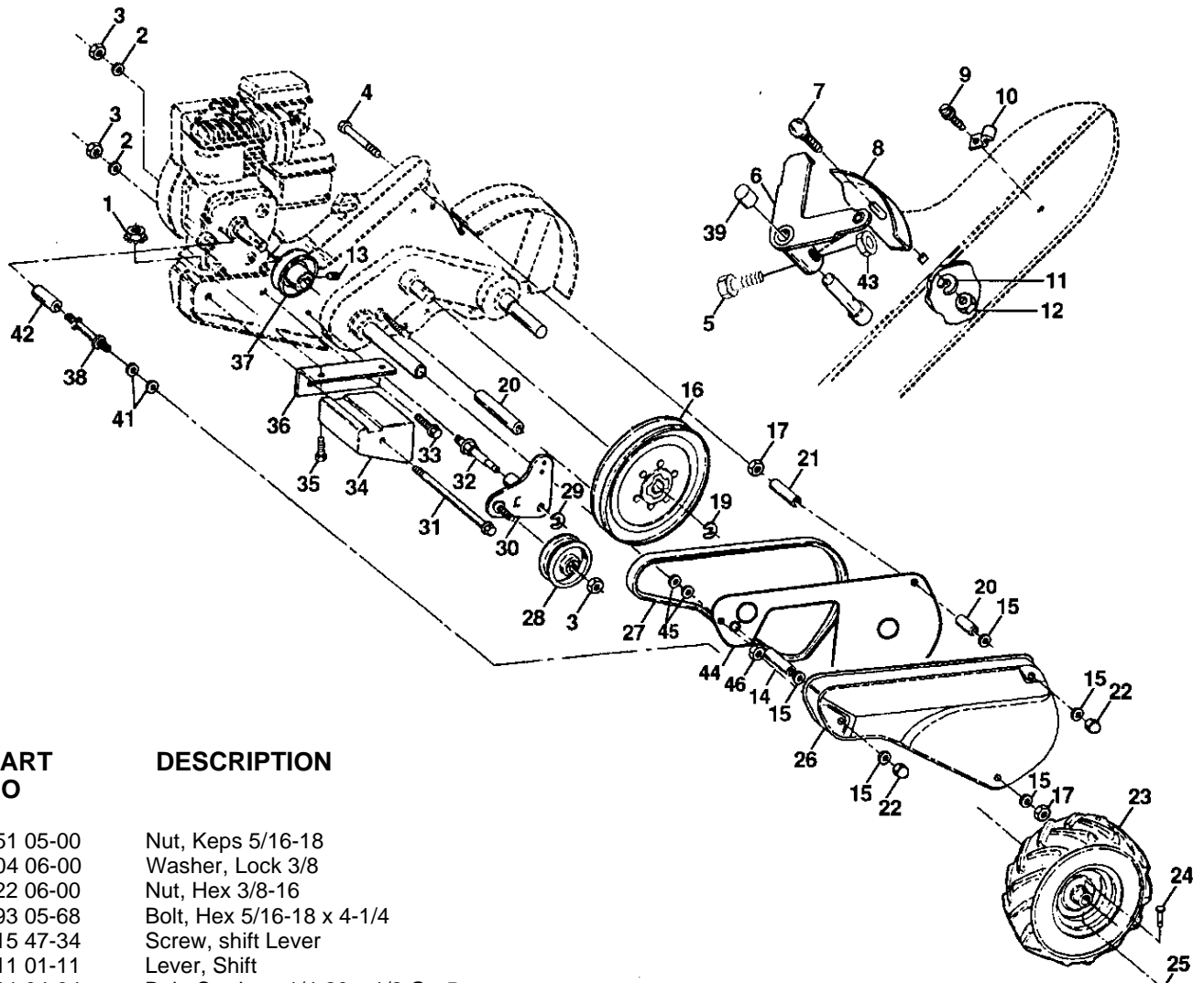


KEY NO.	PART NO	DESCRIPTION	KEY NO.	PART NO	DESCRIPTION
1	871 19 10-08	Screw, Pan Hd. #10-24	17	873 22 04-00	Nut, Hex 1/4-20
2	532 12 69-51	Panel, Control	18	873 73 10-00	Nut, Keps #10-24 UNC
3	532 10 41-64	Tie, Cable	19	532 14 76-68	Cable, Clutch
4	532 12 47-88	Grip Hairpin	20	532 00 94-84	Cljp
5	532 12 47-88	Clip, Hairpin	21	532 08 67-77	Screw Hex Washer Hd. Slotted #10-24 x 1/2
6	532 08 13-28	Bolt, Shoulder	22	532 10 26-04	Grip, Bar, Control
7	532 10 93-35	Handle, Shift	23	532 10 27-44	Clamp, Bar, Control
8	532 10 93-13	Grommet, Rubber	24	532 10 52-16	Bar Assembly, Control
9	532 10 93-37	Rod, Shift	25	532 12 70-12	Control, Throttle
10	872 11 06-08	Bolt, Carriage 3/8-16 x 1 Gr. 5	26	872 14 04-04	Bolt Carriage 1/4-20 UNC x 1/2
11	532 10 92-29	Lock, Handle	27	532 00 92-66	Grip, Handle
12	873 93 06-00	Nut, Centerlock 3/8-16	28	873 51 04-00	Nut, Keps Hex 1/4-20
13	819 13 16-11	Washer 13/32 x 1 x 11 Ga.	31	532 15 06-96	Bolt, Pivot
14	531 10 92-28	Lever, Lock, Handle			
15	532 15 41-06	Handle Asm			
16	810 04 04-00	Washer, Lock 1/4			

NOTE: All component dimensions given in U.S. inches.
1 inch = 25.4 mm

RT5

MAINFRAME, LEFT SIDE



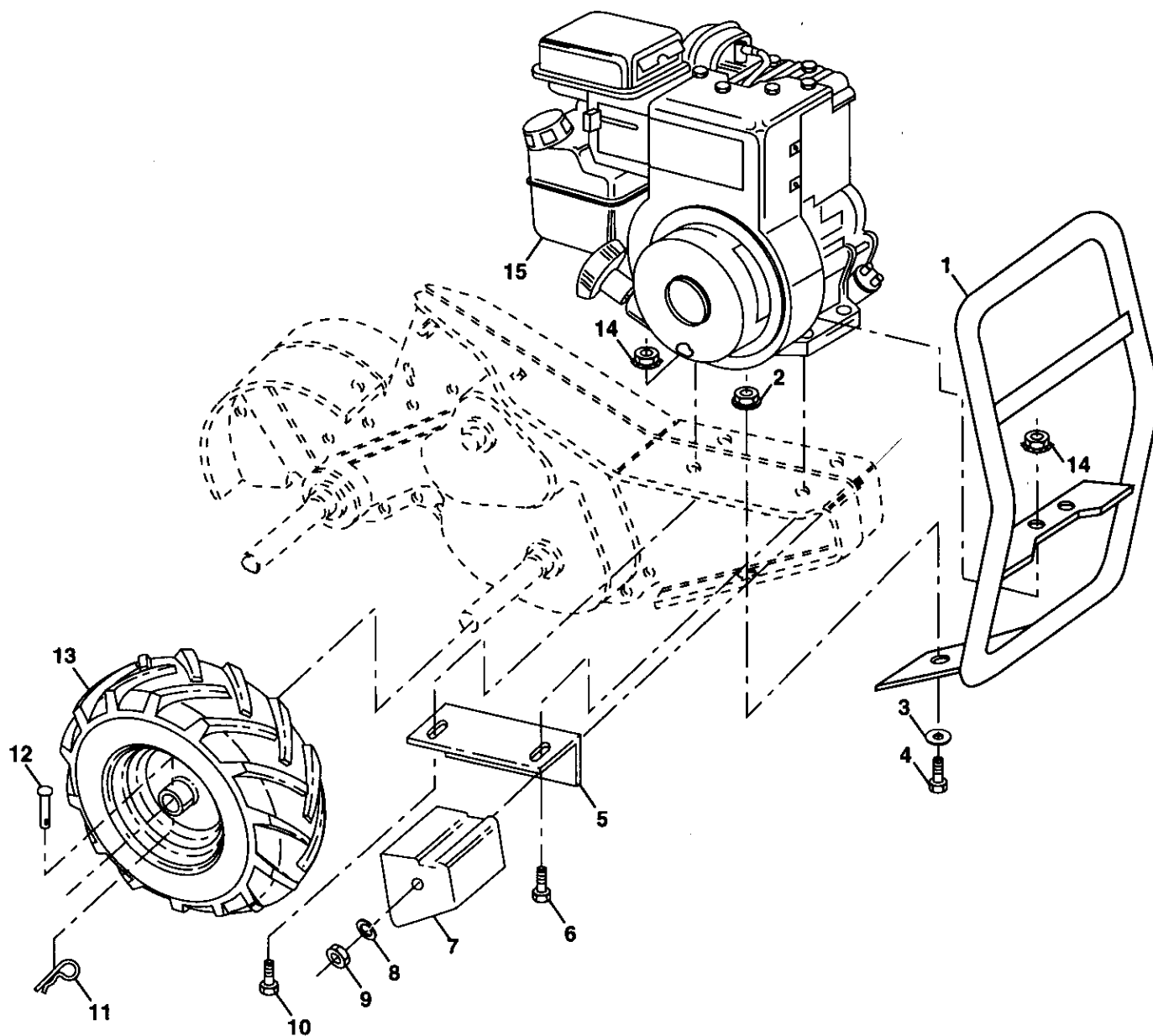
KEY NO.	PART NO	DESCRIPTION
1	873 51 05-00	Nut, Keps 5/16-18
2	810 04 06-00	Washer, Lock 3/8
3	873 22 06-00	Nut, Hex 3/8-16
4	874 93 05-68	Bolt, Hex 5/16-18 x 4-1/4
5	532 15 47-34	Screw, shift Lever
6	532 11 01-11	Lever, Shift
7	872 11 04-04	Bolt, Carriage 1/4-20 x 1/2 Gr. 5
8	532 00 87-00	Plate, Shift indicator
9	532 08 67-77	Screw, Hex, Washer Head, Slotted #10-24 x 1/2
10	532 00 94-84	Clip
11	810 04 04-00	Washer, Lock 1/4
12	873 22 04-00	Nut, Hex 1/4-20
13	823 23 05-06	Screw, Set, Hex 5/16-18 x 3/8
14	532 15 61-16	Spacer, Split 0.327 x 0.42 x 1.875
15	819 11 11-16	Washer 11/32 x 11/16 x 16 Ga.
16	532 14 51-02	Sheave, Transmission
17	873 22 05-00	Nut, Hex 5/16-18
19	812 00 00-28	Ring, Retainer
20	532 15 61-15	Spacer, Split 0.327 x 0.42 x 1.440
21	532 15 61-17	Spacer, Split 0.327 x 0.42 x 1.220
22	532 10 42-14	Nut, Cap 5/16-18
23	532 00 50-15	Tire
	532 12 43-66	Rim
	532 12 47-18	Tire Valve
24	532 12 68-75	Rivet, Drilled
25	532 12 47-88	Clip, Hairpin
26	532 12 54-08	Guard, Belt
27	532 13 28-01	Belt, V
28	532 10 46-79	Pulley, idler
29	812 00 00-32	Ring, Klip
30	532 10 56-11	Bracket, Idler

KEY NO.	PART NO.	DESCRIPTION
31	532 10 23-84	Bolt, Hex 5/16-16 x 12
32	532 10 21-41	Shaft, idler Arm
33	874 76 06-16	Bolt, Hex 3/8-16x1
34	532 10 23-83	Counterweight, L. H.
35	874 76 05-32	Bolt, Hex 5/16-18 x 2
36	532 10 23-31	Bracket, Reinforcement, L. H.
37	532 13 08-12	Sheave, Engine
38	532 14 58-22	Stud, Guard Belt
39	532 14 00-62	Cap, Plunger Blk
41	819 11 16-10	Washer, 11/32 x 1.00 x 10 Ga.
42	532 15 10-04	Spacer
43	532 06 91-80	Nut, Lock #10-24
44	532 15 60-68	Shield, Belt Guard
45	819 09 12-10	Washer 9/32 x 3/4 x 10 Ga.
46	873 80 04-00	Nut, Lock w/Insert 1/4-20

NOTE: All component dimensions given in U.S. inches.
1 inch = 25.4 mm

RT5

MAINFRAME, RIGHT SIDE



KEY NO.	PART NO.	DESCRIPTION
---------	----------	-------------

1	532 15 59-51	Bumper
2	873 97 05-00	Locknut, Hex, Flange 5/16-18
3	819 11 11-16	Washer 11/32 x 11/16 x 16 Ga.
4	874 76 05-12	Bolt, Hex 5/16-18 x 3/4
5	532 10 23-32	Bracket, Reinforcement
6	874 76 05-32	Bolt, Hex 5/16-18 x 2
7	532 10 21-73	Counter Weight, R.H.
8	810 04 06-00	Washer, Lock 3/8
9	873 22 06-00	Nut, Hex 3/8-16
10	874 76 05-24	Bolt, Hex 5/16-18 x 1-1/2

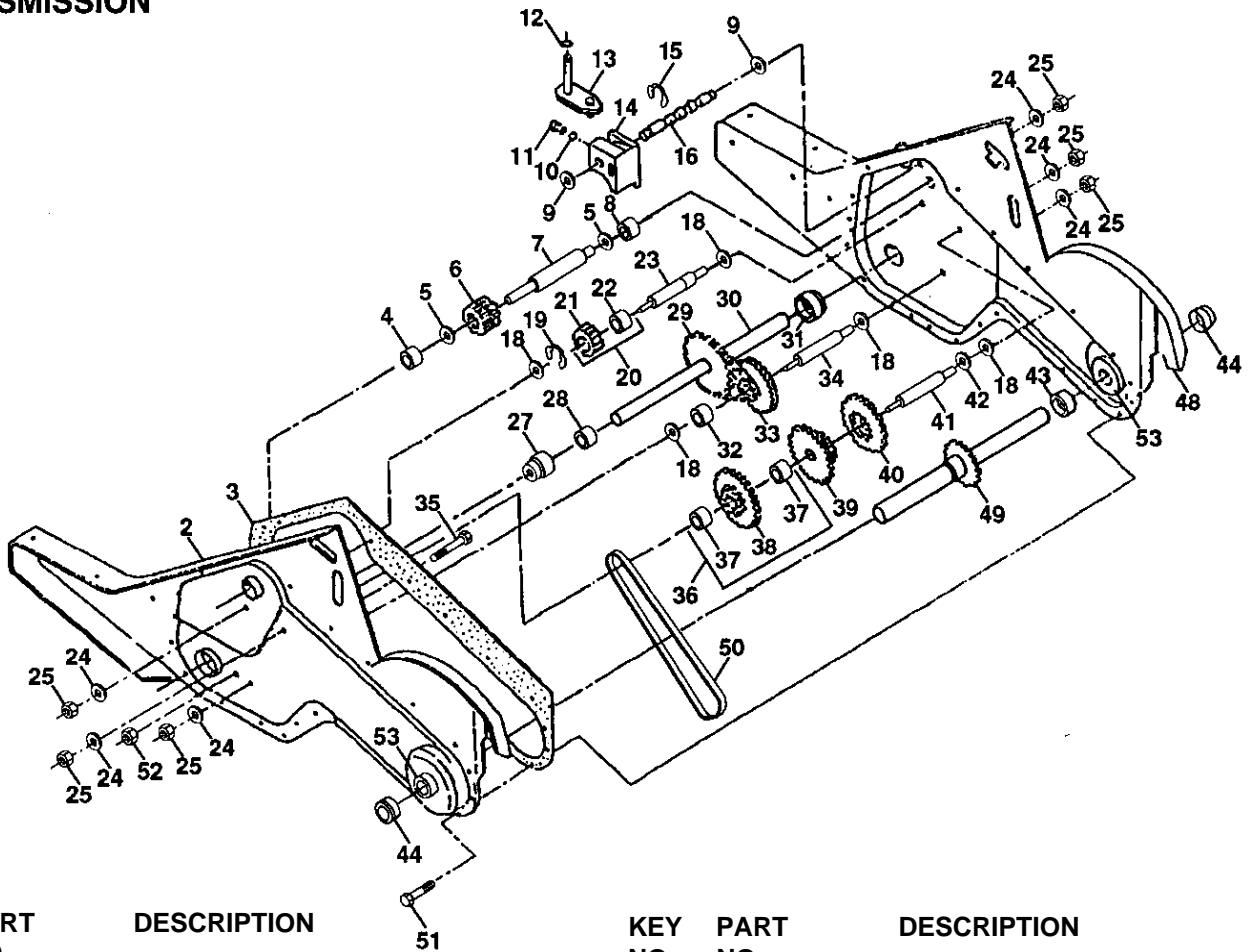
KEY NO.	PART NO.	DESCRIPTION
---------	----------	-------------

11	532 12 47-88	Clip, Hairpin
12	532 12 68-75	Rivet, Drilled
13	532 00 50-15	Tire
	532 12 43-66	Rim
	532 12 47-18	Tire Valve
14	873 51 05-00 *	Nut, Keps 5/16-18
15	-----	Engine

NOTE: All component dimensions given in U.S.inches.
1 inch =25.4 mm

RT5

TRANSMISSION

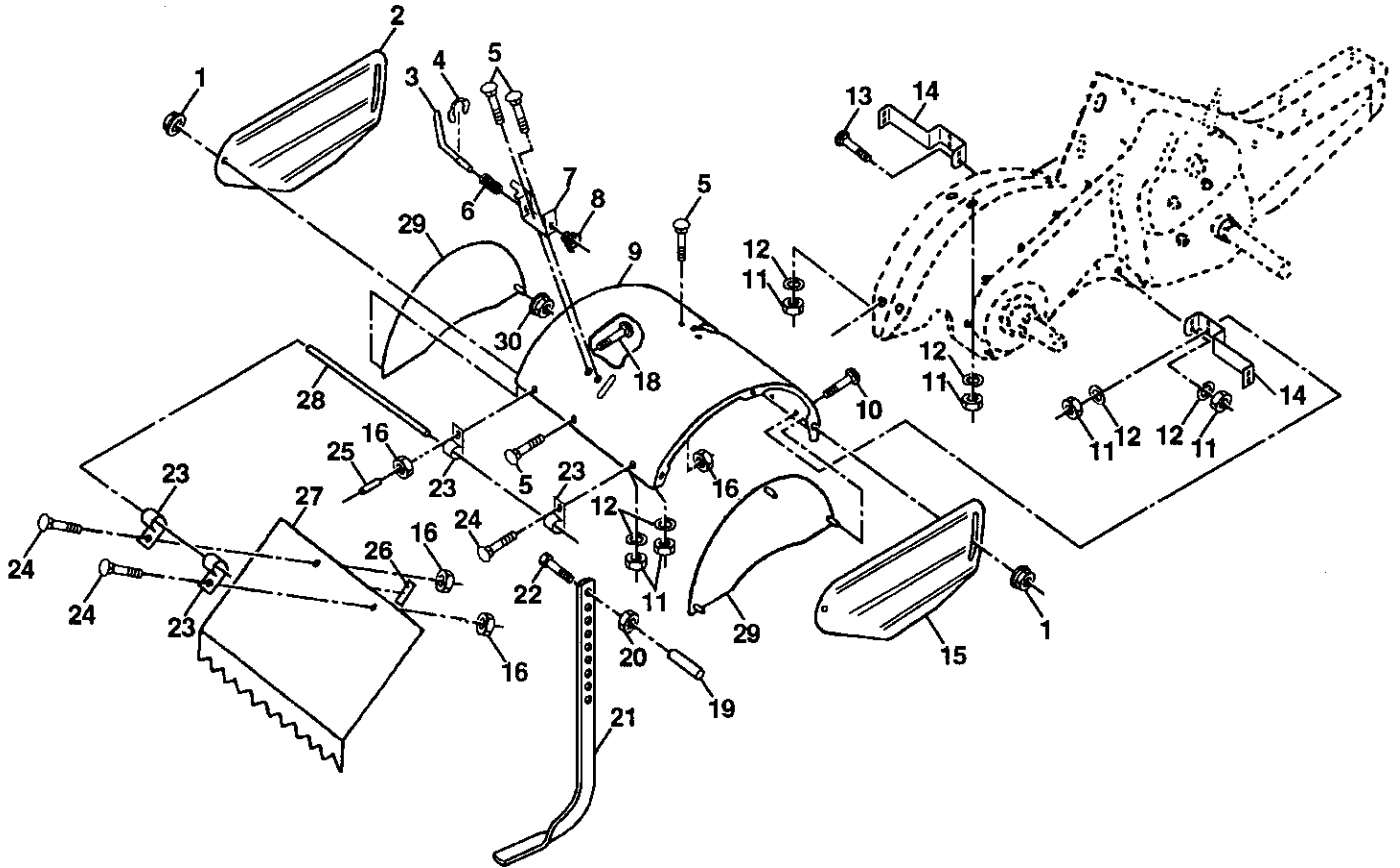


KEY NO.	PART NO	DESCRIPTION	KEY NO.	PART NO	DESCRIPTION
1	532 15 43-54	Transmission Assembly (Includes Key Nos.2-53)	24	810 04 07-00	Washer, Lock 7/16
2	532 15 06-98	Gearcase, L.H. w/Bearing (Includes Key No. 4)	25	873 61 07-00	Nut, Hex 7/16-20
3	532 10 62-11	Gasket, Gearcase	27	532 14 30-09	Bearing, Shaft, Ground Drive L.H.
4	532 00 50-20	Bearing, Needle	28	532 10 63-90	Spacer 0.765 x 1.125 x 1.23
5	532 00 13-70	Washer, Thrust 5/8 x 1.10 x 1/32	29	532 10 21-34	Chain #35-50 Pitch
6	532 13 73-35	Pinion, input	30	532 15 07-37	Ground Shaft Assembly
7	532 14 51-01	Shaft, Input	31	532 14 30-08	Bearing, Shaft, Ground Drive R.H.
8	532 12 47-92	Bearing, Needle	32	532 10 63-88	Spacer 0.70 x 1.00 x 1.150
9	532 15 44-67	Washer, Seal	33	532 10 21-21	Sprocket and Gear Assembly
10	532 12 46-97	Ball, Steel	34	532 10 21-12	Shaft, Reduction (2nd)
11	532 10 03-71	Spring, Shift, Fork	35	532 10 21-01	Screw, Whiz, Lock 5/16-18 x 3-1/2
12	532 10 61-60	O-Ring	36	532 15 43-55	Sprocket Assembly w/Bearing (Includes Key Nos. 37 and 38)
13	532 14 21-45	Arm, Shift	37	532 12 47-91	Bearing, Needle
14	532 00 83-53	Fork, Shift	38	532 15 43-56	Sprocket, Tine
15	812 00 00-39	Ring, Klip	39	532 10 53-45	Gear, Cluster, Red 1st & 2nd
16	532 15 44-66	Shaft, Shift	40	532 10 53-46	Gear, Reverse
18	532 00 43-58	Washer	41	532 00 83-58	Shaft, Reduction (1st)
19	812 00 00-40	Ring, Klip	42	532 00 42-20	Washer, Thrust
20	532 10 21-14	Gear, Assembly, Reverse Idler (Includes Key Nos. 21 and 22)	43	532 10 61-46	Spacer 1.01 x 1.75 x 0.760
21	532 10 21-15	Gear, Reverse idler	44	532 15 52-36	Seal, Asm Oil
22	532 00 68-03	Bearing, Needle	48	532 15 07-00	Gearcase, R.H. w/Bearing (Includes Key No. 8)
23	532 10 21-11	Shaft, Reverse Idler	49	532 13 26-88	Shaft, Tine
			50	532 10 61-47	Chain, Roller #50-50 Pitch
			51	817 72 04-08	Screw 1/4-20 x 1/2
			52	873 22 05-00	Nut, Hex 5/16-18
			53	532 12 22-04	Kit, Bearing
			--	532 00 60-66	Grease, Plastilube #1

NOTE: All component dimensions given in U.S. inches.
1 inch = 25.4 mm

RT5

TINE SHIELD

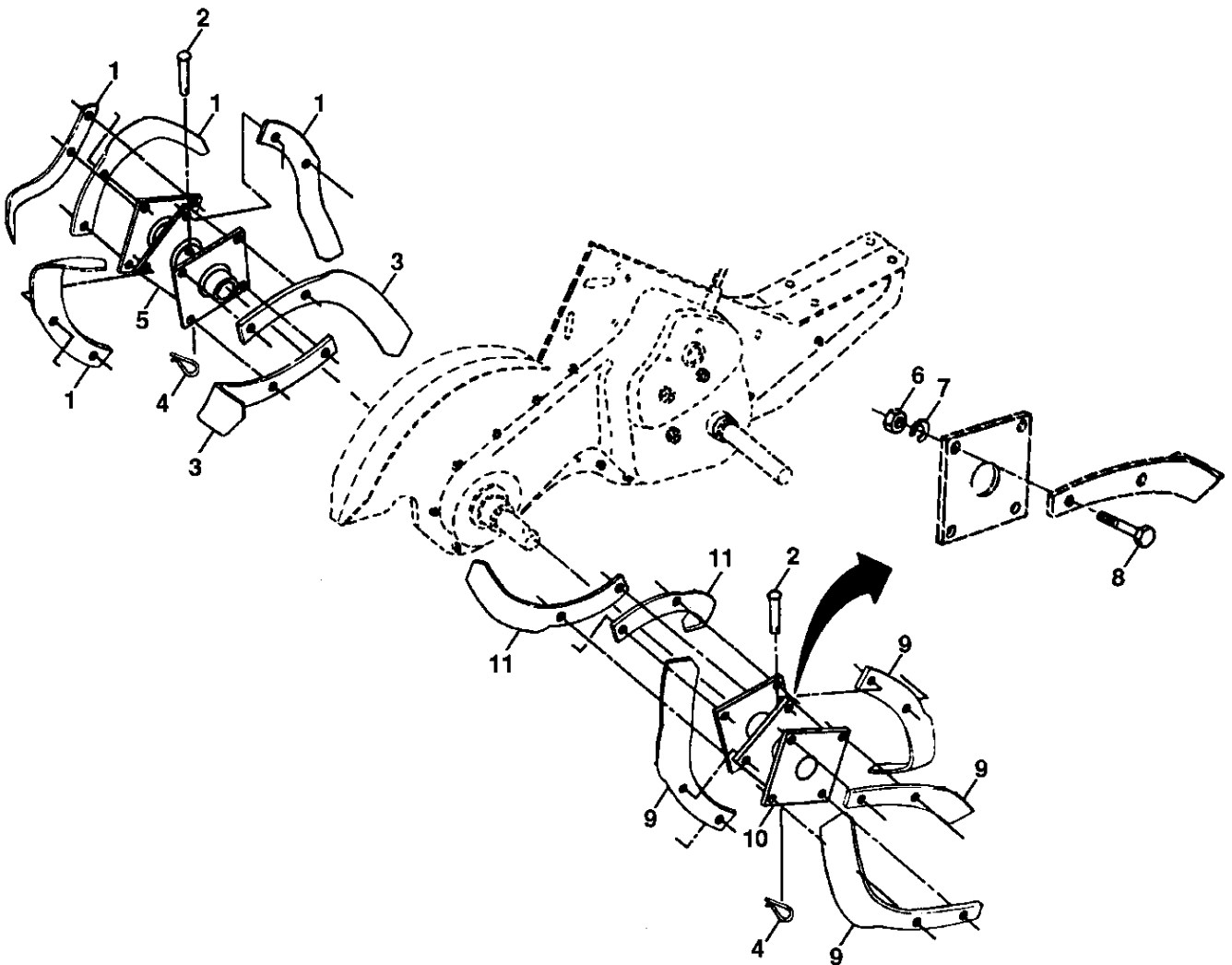


KEY NO.	PART NO.	DESCRIPTION	KEY NO.	PART NO.	DESCRIPTION
1	898 00 01-29	Nut, Flange 5/16-18	18	872 04 04-10	Bolt, Carriage 1/4-20 x 1-1/4 Gr. 5
2	532 12 54-27	Shield, Side, Outer L. H.	19	532 10 27-01	Grip
3	532 00 83-93	Pin, Stake, Depth	20	873 22 06-00	Nut, Hex 3/8-16
4	812 00 00-36	Ring, Klip	21	532 10 21-56	Stake, Depth
5	872 14 05-06	Bolt, Carriage 5/16-18 x 3/4 Gr. 5	22	874 93 06-32	Bolt, Hex 3/8-16 x 2
6	532 00 83-94	Spring	23	532 00 44-40	Hinge
7	532 00 83-92	Bracket, Latch	24	872 14 04-04	Bolt, Carriage 1/4-20 x 1/2 Gr. 5
8	532 10 92-30	Spring, Depth Stake	25	532 12 47-17	Cap, Vinyl
9	532 14 20-36	Shield, Tine	26	532 10 92-27	Pad, Idler
10	872 14 05-08	Bolt, Carriage 5/16-18 UNC x 1	27	532 12 54-10	Shield, Leveling
11	873 22 05-00	Nut, Hex 5/16-18	28	532 12 05-88	Pin, Hinge
12	810 04 05-00	Washer, Lock 5/16	29	532 14 20-37	Shield, Side
13	872 11 05-10	Bolt, Carriage 5/16-18 x 1-1/4	30	873 97 05-00	Locknut, Flange 5/16-18
14	532 12 43-11	Bracket, Shield Tine			
15	532 12 54-28	Shield, Side, Outer R.H.			
16	873 51 04-00	Nut, Keps Hex 1/4-20			

NOTE: All component dimensions given in U.S. inches.
1 inch = 25.4 mm

RT5

TINE ASSEMBLY



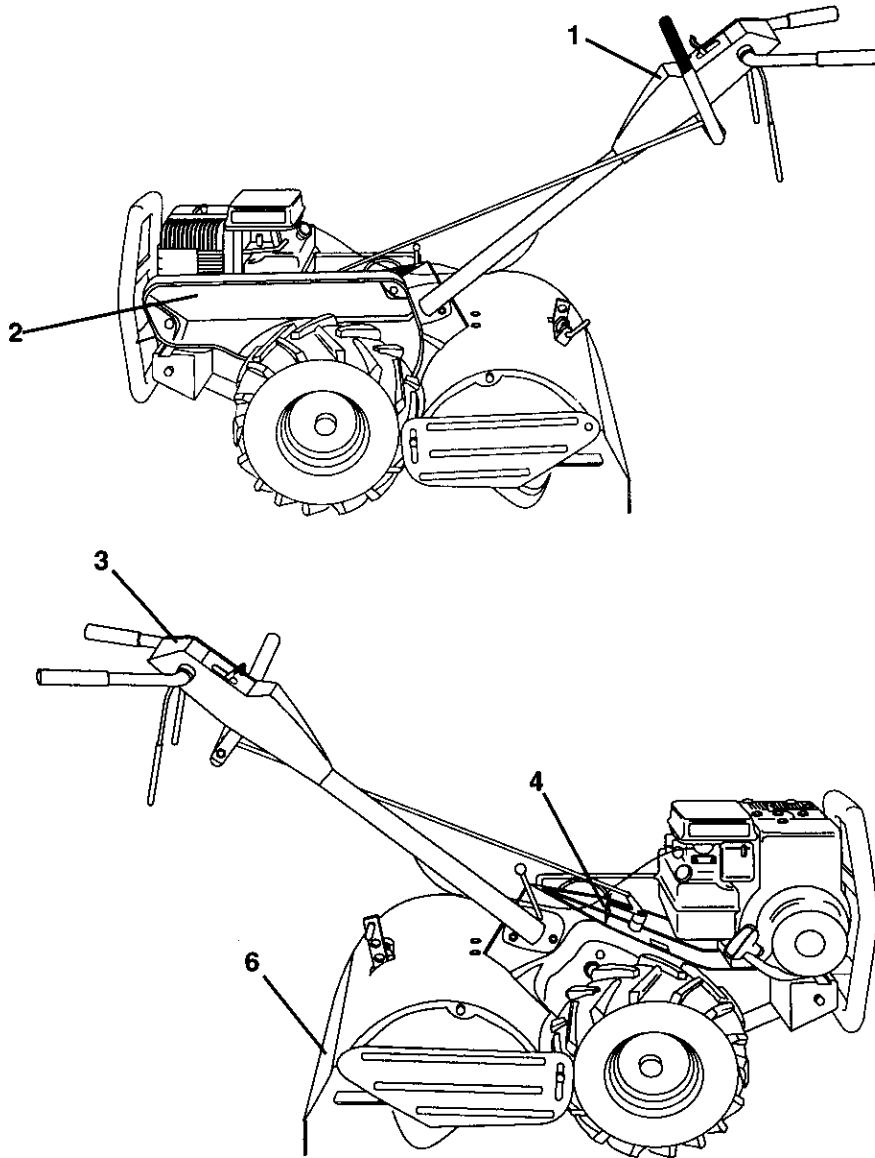
KEY PART NO.	PART NO.	DESCRIPTION
1	532 00 65-54	Tine, Outer, L.H.
2	532 13 26-73	Clevis Pin
3	532 00 65-54	Tine, Inner, L.H.
4	532 12 46-60	Clip, Hairpin
5	532 13 27-27	Assembly, Hub and Plate, L.H.
6	873 61 06-00	Nut, Hex 3/8-24
7	810 04 06-00	Washer, Lock 3/8

KEY PART NO.	PART NO.	DESCRIPTION
8	874 61 06-16	Bolt, Hex 3/8-24 x 1
9	532 00 65-55	Tine, Outer, R.H.
10	532 13 27-28	Assembly, Hub and Plate, R.H.
11	532 00 65-55	Tine, inner, R.H.

NOTE: All component dimensions given in U.S. inches.
1 inch = 25.4 mm

RT5

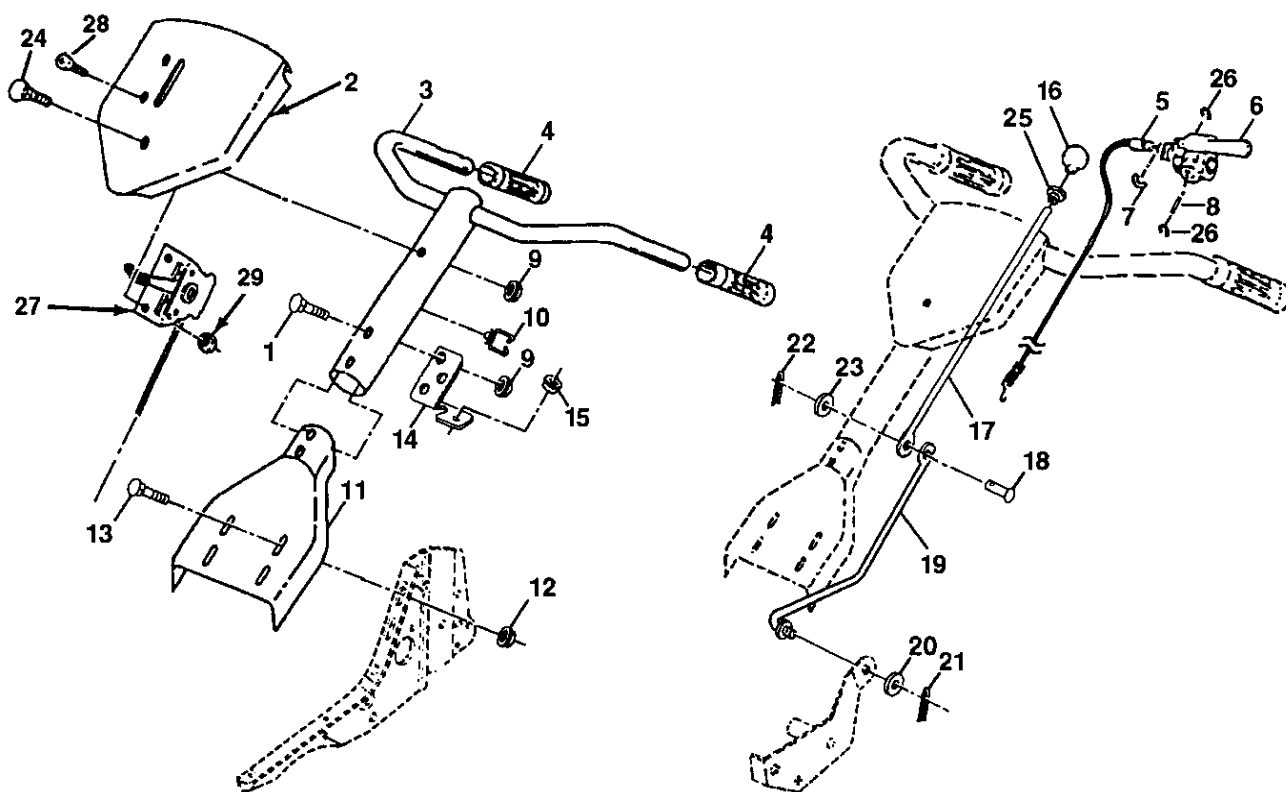
DECALS



KEY NO.	PART NO.	DESCRIPTION
1	532 14 19-46	Decal, Logo
2	532 15 11-11	Decal, Logo
3	532 13 69-45	Decal, Instruction, Tilling
4	532 12 63-67	Decal, Shift Indicator
6	532 15 61-29	Decal, Warning, Rotating Tines

FT5

HANDLE ASSEMBLY



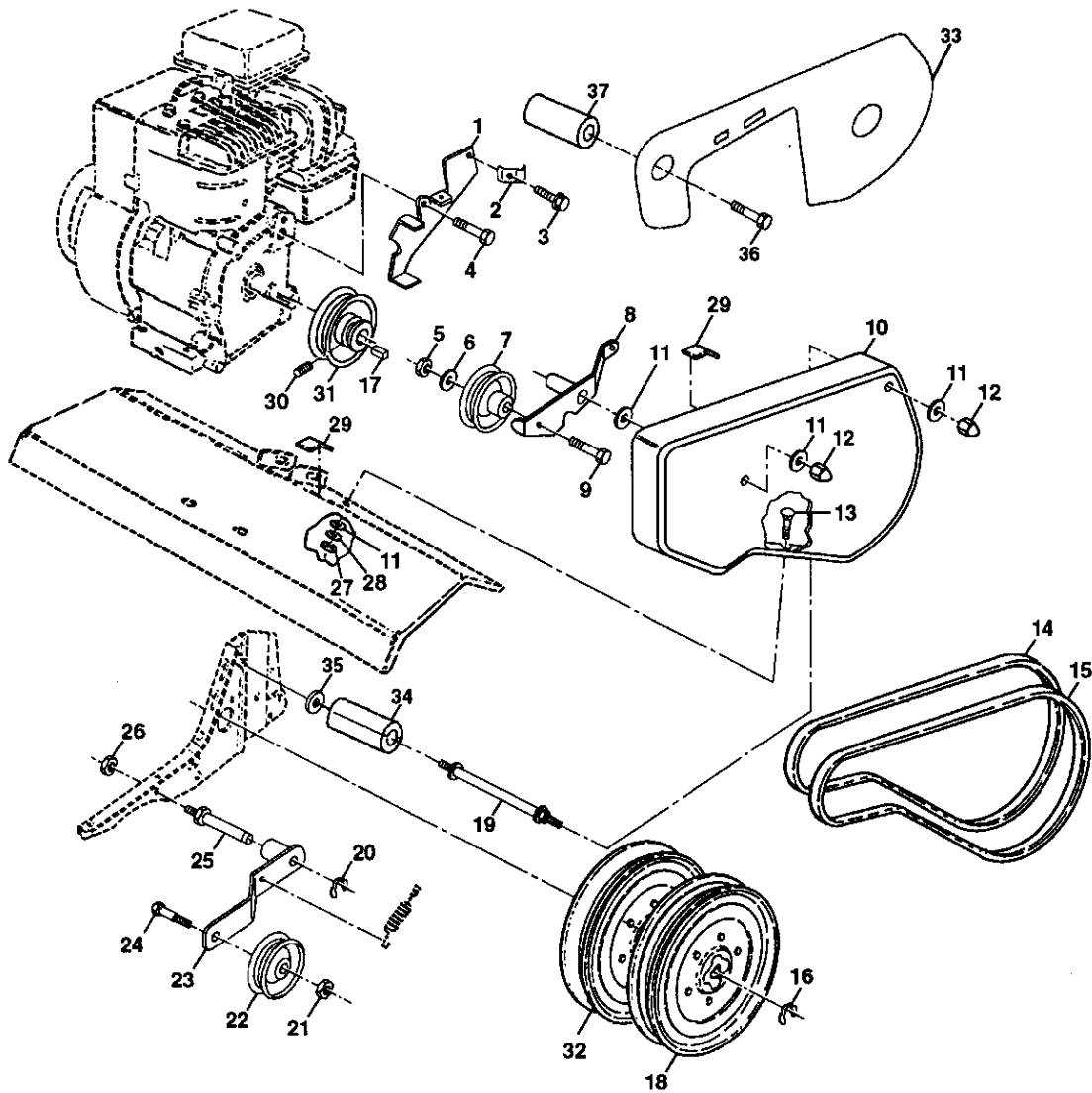
KEY PART NO.	PART NO.	DESCRIPTION
1	872 01 05-20	Bolt, 5/16-18 x 2.50
2	532 15 78-57	Panel Control
3	532 15 52-02	Assembly, Handle Column
4	532 11 06-32	Grip Handle
5	532 15 51-99	Cable, Tine Control
6	532 15 12-29	Lever, tine Control
7	812 00 00-27	Ring, Clip
8	532 15 48-05	Pin, Pivot
9	873 70 50-0	Locknut, Flange 5/16-18 UNC
10	532 12 11-45	Clip, Cable
11	532 11 05-14	Assembly, Panel and Tube
12	898 00 01-29	Nut, Flange
13	872 01 05-06	Bolt, Carriage 5/16-18 x 3/4
14	532 13 69-98	Bracket, Reverse Rod
15	532 13 99-07	Grommet
16	532 10 69-32	Knob, Reverse Control

KEY PART NO.	PART NO.	DESCRIPTION
17	532 15 52-03	Reverse Rod, Upper
18	532 00 17-78	Ring, Retaining
19	532 13 70-56	Reverse Rod, Lower
20	819 13 13-16	Washer, 13/32 x 1/2 x 14 Ga.
21	876 02 04-12	Pin, Cotter 1/8 x 3/4
22	876 02 03-08	Pin, Cotter 3/32 x 1/2
23	819 09 08-14	Washer, 9/32 x 1/2 x 14 Ga.
24	872 01 05-20	Bolt, 5/16-18 x 2 1/2
25	532 13 76-40	Bushing, Reverse Rod Bracket
26	812 00 00-59	Ring, Retaining
27	532 15 73-46	Throttle, Control 31.00
28	871 19 10-08	Screw, 10-24
29	873 73 10-00	Nut, Keps #10-24 UNC

NOTE: All component dimensions are given in U.S. inches.
1 inch = 25.4 mm

FT5

BELT GUARD AND PULLEY ASSEMBLY

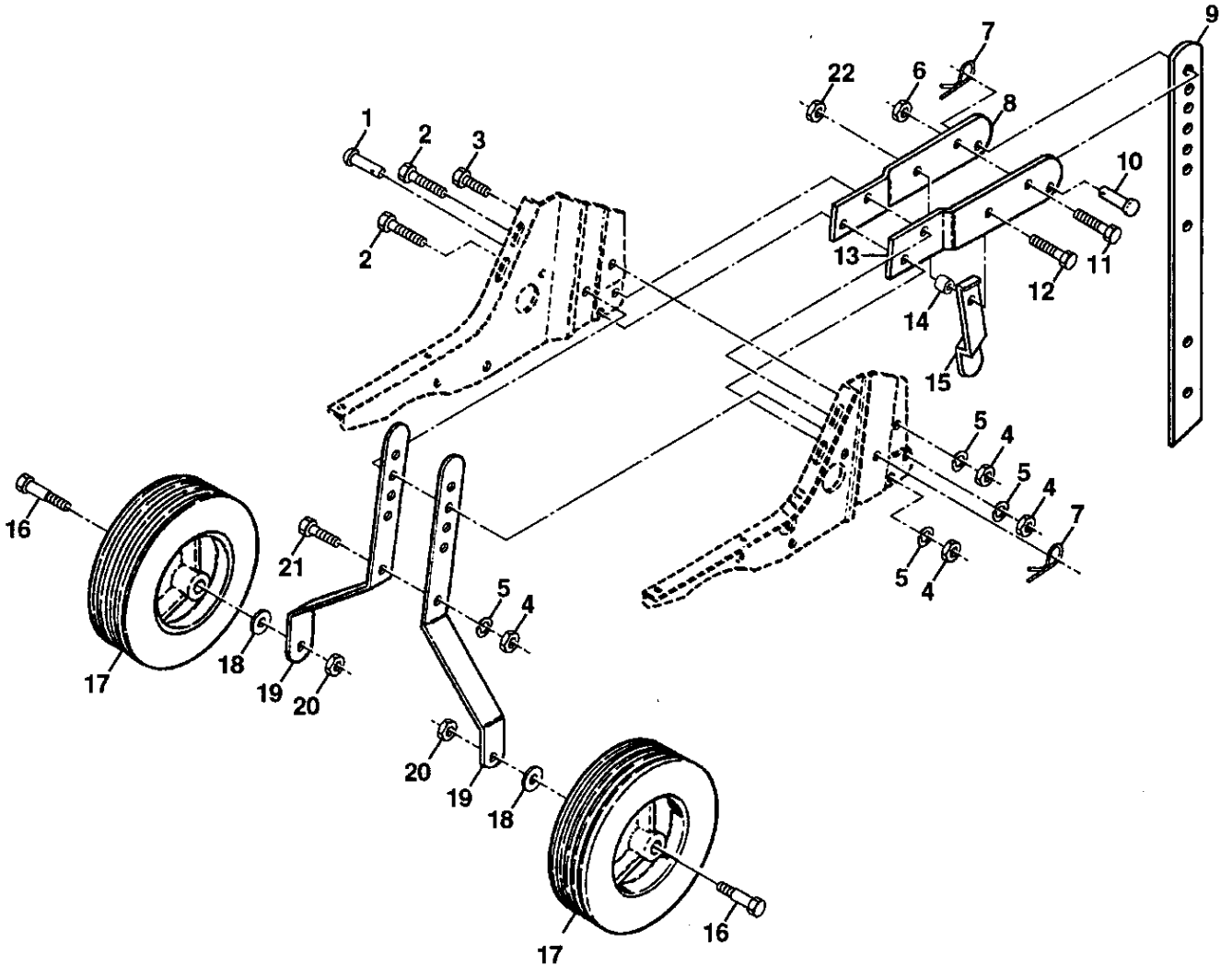


KEY NO.	PART NO.	DESCRIPTION	KEY NO.	PART NO.	DESCRIPTION
1	532 12 36-43	Assembly, Bracket, Belt Guard	20	812 00 00-36	Ring, Klip
2	532 00 94-84	Clip, Cable	21	873 35 06-00	Nut, Hex, Jam 3/8-16
3	532 08 67-77	Screw, Hex, Washer Hd., Slotted, Thd. Cutting #10-24 x 1/2 Type D	22	532 00 91-78	Pulley, Idler
4	874 77 08-12	Bolt, Hex 1/2-20 x 3/4	23	532 12 46-88	Arm, Idler
5	873 22 06-00	Nut, Hex 3/8-16	24	874 76 06-20	Bolt, Hex 3/8-16 x 1-1/4
6	819 13 13-16	Washer 13/32 x 13/16 x 16 Ga.	25	532 10 69-68	Shaft, Idler Arm
7	532 00 20-09	Pulley, Idler, Reverse	26	873 35 05-00	Nut, Hex, Jam 5/16-18
8	532 12 71-80	Assembly, Arm, Reverse Idler	27	873 22 04-00	Nut, Fin Hex 1/4-20
9	874 76 06-28	Bolt, Hex 3/8-16 x 1-3/4	28	810 04 04-00	Washer Lock Hvy, Helical 1/4
10	532 12 54-38	Guard, Belt	29	532 10 92-27	Pad, Idler
11	819 09 10-16	Washer 9/32 x 5/8 x 16 Ga.	30	823 20 04-04	Screw, Set, Socket, Headless CP 1/4-20 x 1/4
12	532 10 42-13	Nut, Cap 1/4-20	31	532 10 11-89	Sheave Engine
13	872 14 04-05	Bolt, Carriage 14-20 x 5/8	32	532 15 12-23	Sheave Transmission "V"
14	532 13 30-35	V-Belt (Forward Motion)	33	532 15 61-01	Shield, Belt guard w/Rev.
15	532 00 26-14	V-Belt (Reverse)	34	532 15 61-41	Spacer, Split .635 x .823 x 2.2
16	812 00 00-28	Ring, Retainer	35	819 09 14-16	Washer 9/32 x 7/8 x 16 Ga.
17	532 00 26-49	Key, Square	36	874 33 05-16	Bolt 5/16 x 24 x 1
18	532 15 12-36	Sheave, Transmission, Flat	37	532 15 61-18	Spacer Split .327 x .42 x .500
19	532 11 05-50	Bolt, Belt Guard			

NOTE: All component dimensions given in U.S. inches.
1 inch = 25.4 mm

FT5

WHEEL AND DEPTH STAKE ASSEMBLY

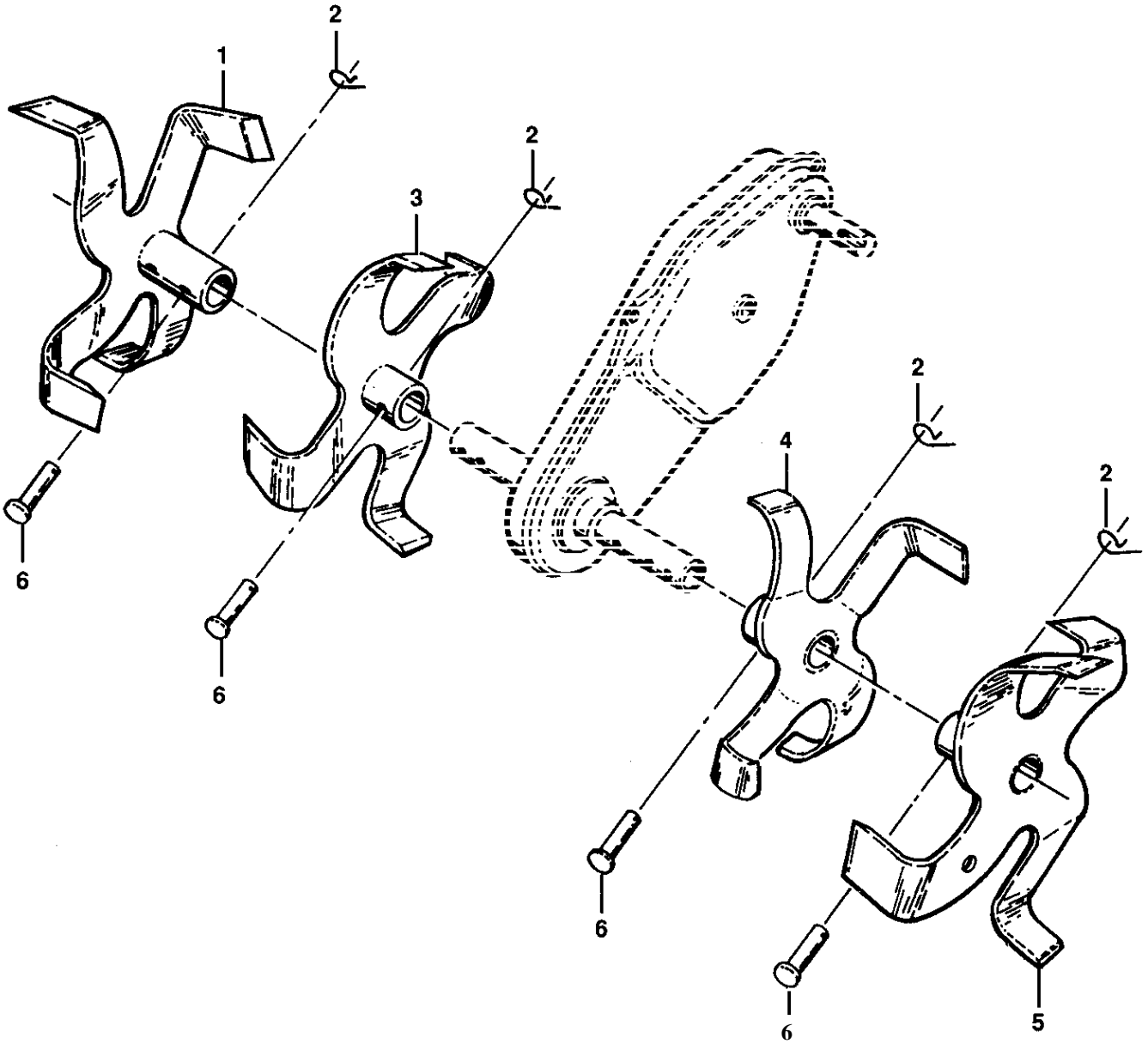


KEY NO.	PART NO.	DESCRIPTION	KEY NO.	PART NO.	DESCRIPTION
1	532 00 91-94	Pin, Clevis	14	532 12 09-58	Washer
2	874 76 05-20	Bolt, Hex 5/16-18 x 1-1/4	15	532 00 53-88	Spring, Stake
3	874 76 05-12	Bolt, Hex 5/16-18 x 3/4	16	532 12 11-17	Bolt, Shoulder
4	873 22 05-00	Nut, Hex 5/16-18	17	532 12 78-32	Wheel
5	810 04 05-00	Washer, Lock 5/16	18	819 13 13-11	Washer 13/32 x 13/16 x 11 Ga.
6	873 80 06-00	Locknut, w/washer 3/8-16	19	532 12 47-07	Bracket, Wheel
7	532 00 49-21	Clip, Hairpin	20	873 68 06-00	Locknut, Crown 3/8-16
8	532 00 19-52	Support, Depth Stake, R.H.	21	874 76 05-16	Bolt, Hex 5/16-18 x 1
9	532 12 22-33	Stake, Depth	22	873 80 05-00	Locknut, w/insert 5/16-18
10	532 00 03-26	Pin, Clevis			
11	874 78 06-28	Bolt, Hex, Fin 3/8-16 x 1-3/4			
12	874 76 05-24	Bolt, Hex 5/16-18 x 1-1/2 Gr. 2			
13	532 00 19-51	Support, Depth Stake, L.H.			

NOTE: All component dimensions given in U.S. inches.
1 inch = 25.4 mm

FT5

TINE ASSEMBLY

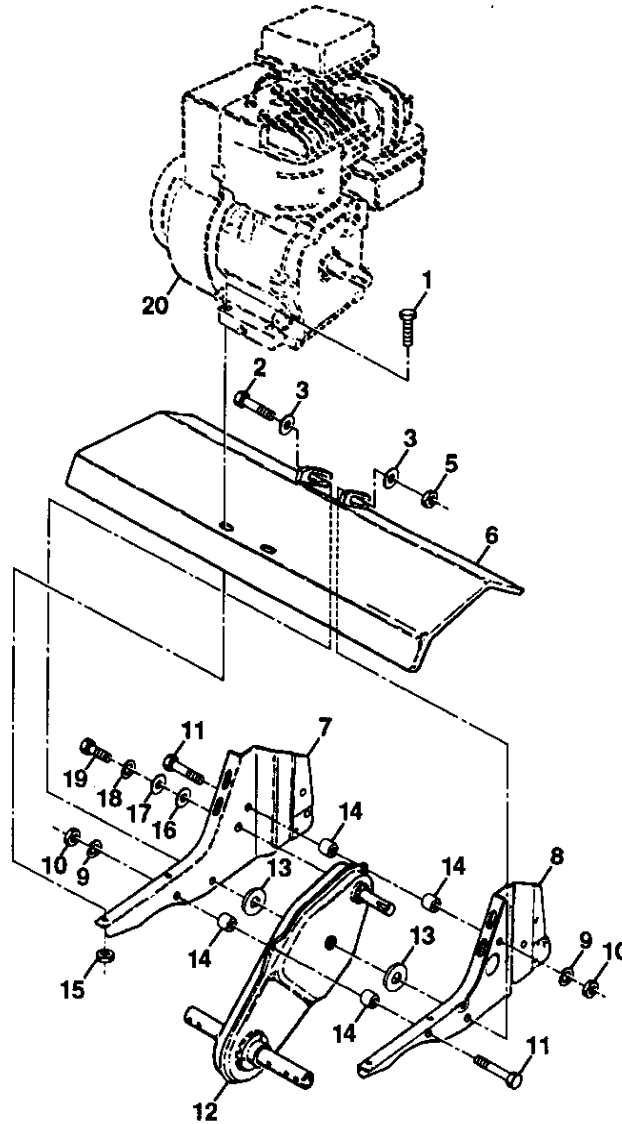


KEY PART NO.	NO.	DESCRIPTION
1	532 10 07-46	Tine, Outer, R.H.
2	532 00 31-46	Clip, Hairpin
3	532 12 46-90	Tine, inner, R H.

KEY PART NO.	NO.	DESCRIPTION
4	532 12 46-89	Tine, Inner, L.H.
5	532 10 07-44	Tine, Outer, L.H.
6	532 00 49-29	Pin, Clevis

FT5

TRANSMISSION

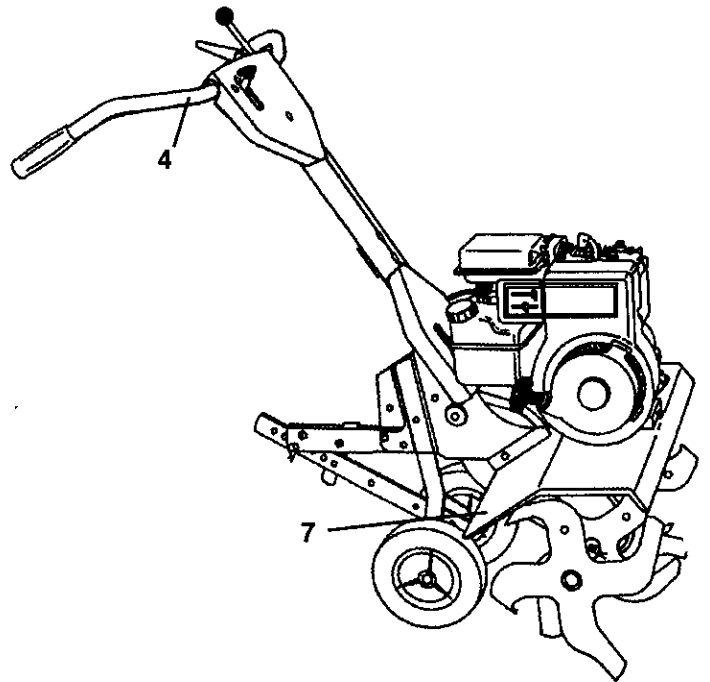
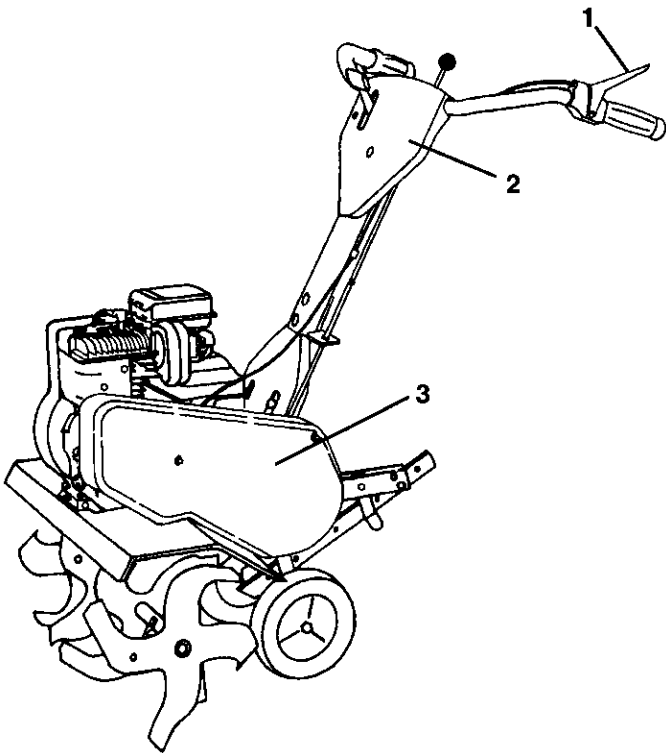


KEY NO.	PART NO.	DESCRIPTION	KEY NO.	PART NO.	DESCRIPTION
1	874 76 05-24	Bolt, Hex 5/16-18 x 1-1/2 Gr. 2	13	819 17 16-16	Washer 17/32 x1 x 16 Ga.
2	874 78 06-52	Bolt Hex, Fin 3/8-16 x 3-1/4	14	532 00 91-73	Spacer, Split
3	819 13 13-11	Washer 13/32 x 13/16 x 11	15	873 51 05-00	Nut, Keps 5/16
5	873 80 06-00	Locknut, Hex, w/washer 3/8-16	16	819 09 14-12	Washer 9/32 x 7/8 x 12 Ga.
6	532 13 83-43	Shield, Tine	17	819 09 20-16	Washer 9/32 x 1-1/4 x 16 Ga.
7	532 00 19-49	Bracket, Engine, R.H.	18	810 04 04-00	Washer, Lock 1/4
8	532 15 63-42	Bracket, Engine, L.H.	19	874 61 04-12	Bolt, Hex 1/4-28 x 3/4 Gr.5
9	810 04 05-00	Washer, Lock 5/16	20	-----	Engine
10	873 22 05-00	Nut, Hex 5/16-18			
11	874 76 05-44	Bolt, Hex 5/16-18 x 2-3/4			
12	532 15 12-22	Transmission			

NOTE: All component dimensions given in U.S. inches.
1 inch = 25.4mm

FT5

DECALS



KEY NO.	PART NO.	DESCRIPTION
1	532 12 63-85	Decal, Stop
2	532 14 11-17	Decal, Logo
3	532 15 11-12	Decal, Logo
4	532 11 06-14	Decal, Hand Placement
7	532 15 61-29	Decal, Warning