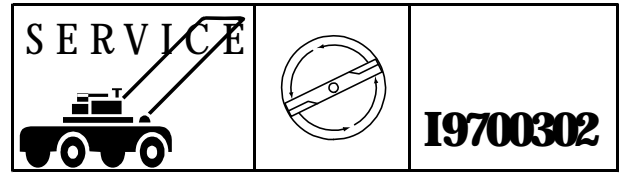


Jonsered



IPL, 600 SD, 1997-04-23, 108 07 06-19

600 SD

Spare parts

Ersatzteile

Pièces détachées

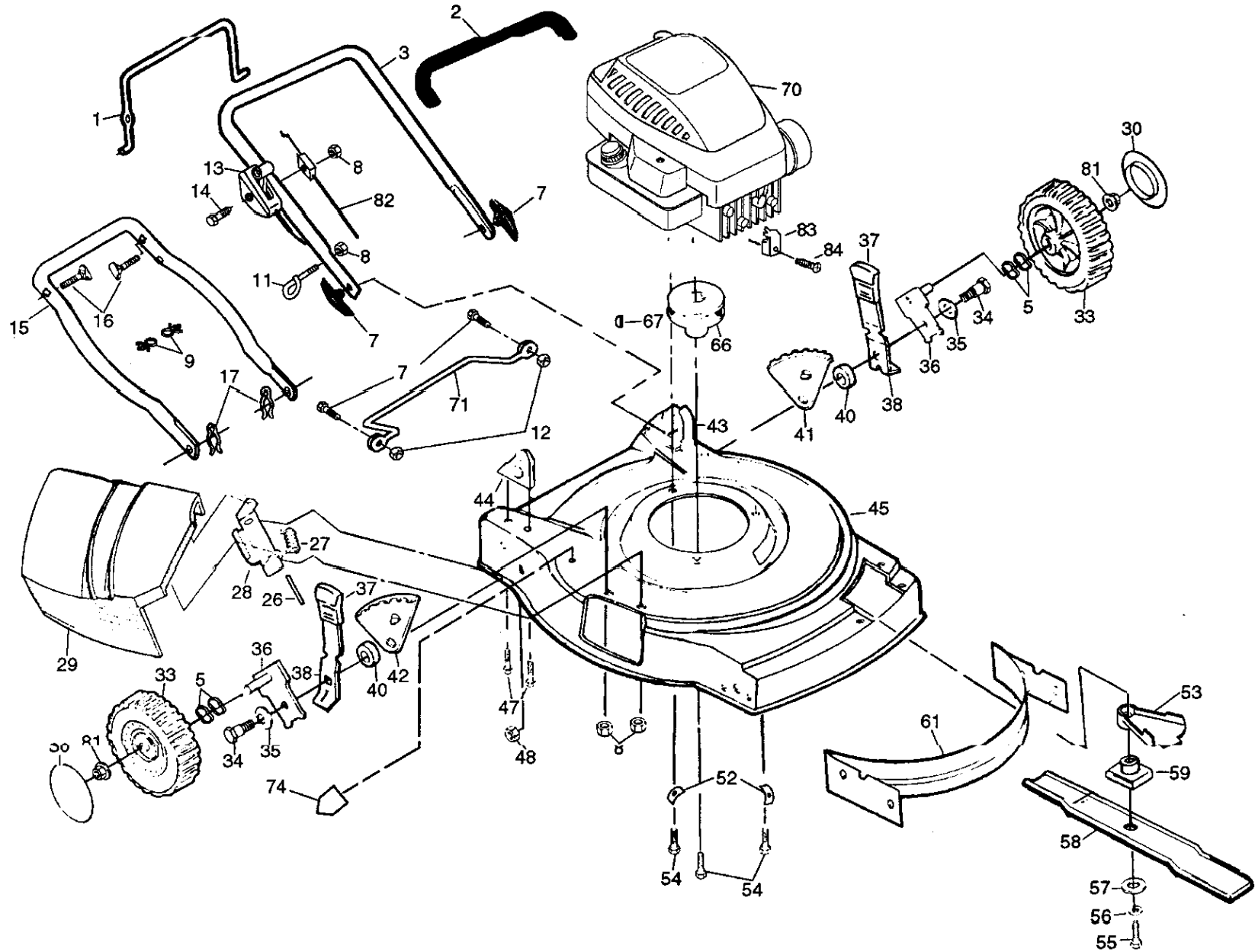
Reserve onderdelen

Repuestos

Reservdelar

Product No: 954 05 66-51

A

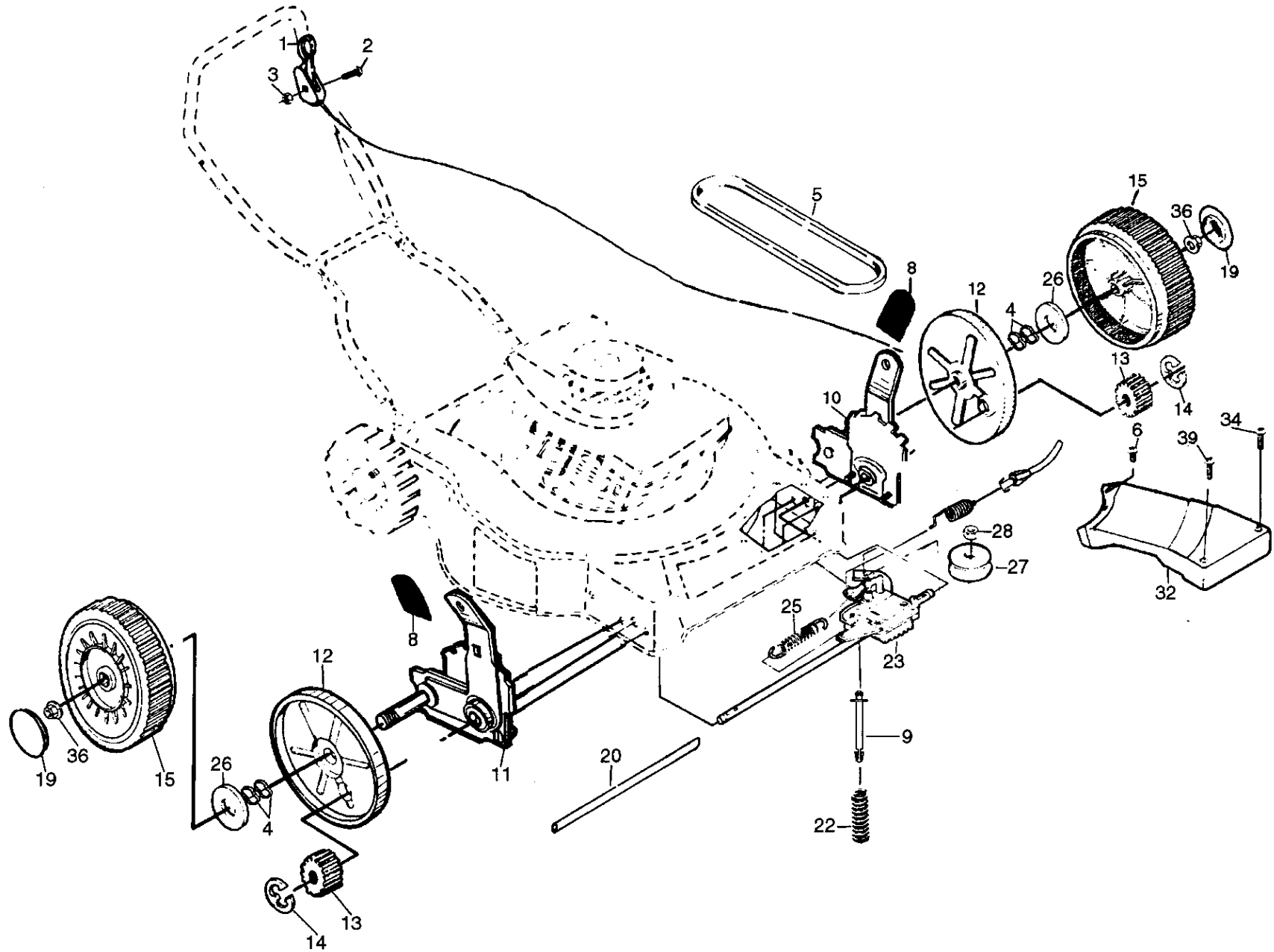


A

KEY NO.	PART NO.	DESCRIPTION
1	532 14 69-00	Control Bar
2	532 85 07-24	Handle Grip
3	532 15 38-17	Upper Handle
5	532 05 71-43	Wave Washer
7	532 13 63-76	Handle Knob
8	532 06 36-01	Locknut 1/4-20
9	532 15 15-17	Wire Clips
11	532 13 20-01	Rope Guide
12	532 06 91-80	Locknut 1/4-20
13	532 70 04-17	Throttle Control
14	532 14 49-29	Hex Washer Head Screw 1/4-20 x 2-1/8
15	532 15 30-28	Lower Handle
16	532 13 19-59	Handle Bolt 5/16-18x1-3/4
17	532 05 17-93	Hairpin Cotter
26	532 14 72-86	Hinge Rod
27	532 08 75-89	Torsion Spring
28	532 08 75-93	Housing Bracket Assembly
29	532 75 01-49	Discharge Guard
30	532 80 11-53	Hubcap
33	532 75 05-50	Wheel & Tire Assembly
34	532 14 27-48	Shoulder Bolt 3/8-16 x 1
35	532 06 23-35	Belleville Washer 1/2
36	532 15 12-54	Axle Arm Assembly
37	532 13 28-00	Selector Knob
38	532 12 52-59	Selector Spring
40	532 14 66-30	Spacer
41	532 13 43-41	Wheel Adjusting Bracket (L.R.)
42	532 13 43-40	Wheel Adjusting Bracket (R. R.)
43	532 15 30-27	Handle Bracket Assembly (Left)
44	532 15 30-26	Handle Bracket Assembly (Right)
45	532 15 37-85	Lawn Mower Housing (Inch Ref. #74)
47	532 14 97-41	Self Tapping Screw 5/16-18 x 3/4

KEY NO.	PART NO.	DESCRIPTION
48	532 75 15-92	Locknut 3/8-16
52	532 12 50-78	Eng. Washer
53	532 13 46-12	Debris Shield
54	532 15 04-06	Hex Head Thread Rolling Screw 3/8-16 x 1
55	532 85 10-84	Hex Head Screw 3/8-24 x 1-3/8 Grade 8
56	532 85 02-63	Helical Lock Washer 3/8
57	532 85 10-74	Hardened Washer
58	532 14 11-14	22* Blade
59	532 85 15-14	Blade Adapter
61	532 14 89-02	Front Baffle
66	532 08 45-96	Engine Pulley
67	532 08 76-77	Hi-Pro Key #HP 505
70	-----	Engine-Briggs & Stratton
71	532 15 41-47	Foot Guard
72	532 08 58-25	Self Tapping Screw #10-24x1
74	532 14 54-94	Warning Decal
81	532 08 39-23	Nut
82	532 13 08-61	Cable MZR
83	532 11 11-90X	B & S Clamp
84	532 08 38-16	Screw
--	532 12 53-81	Rear Baffle (Not Shown)

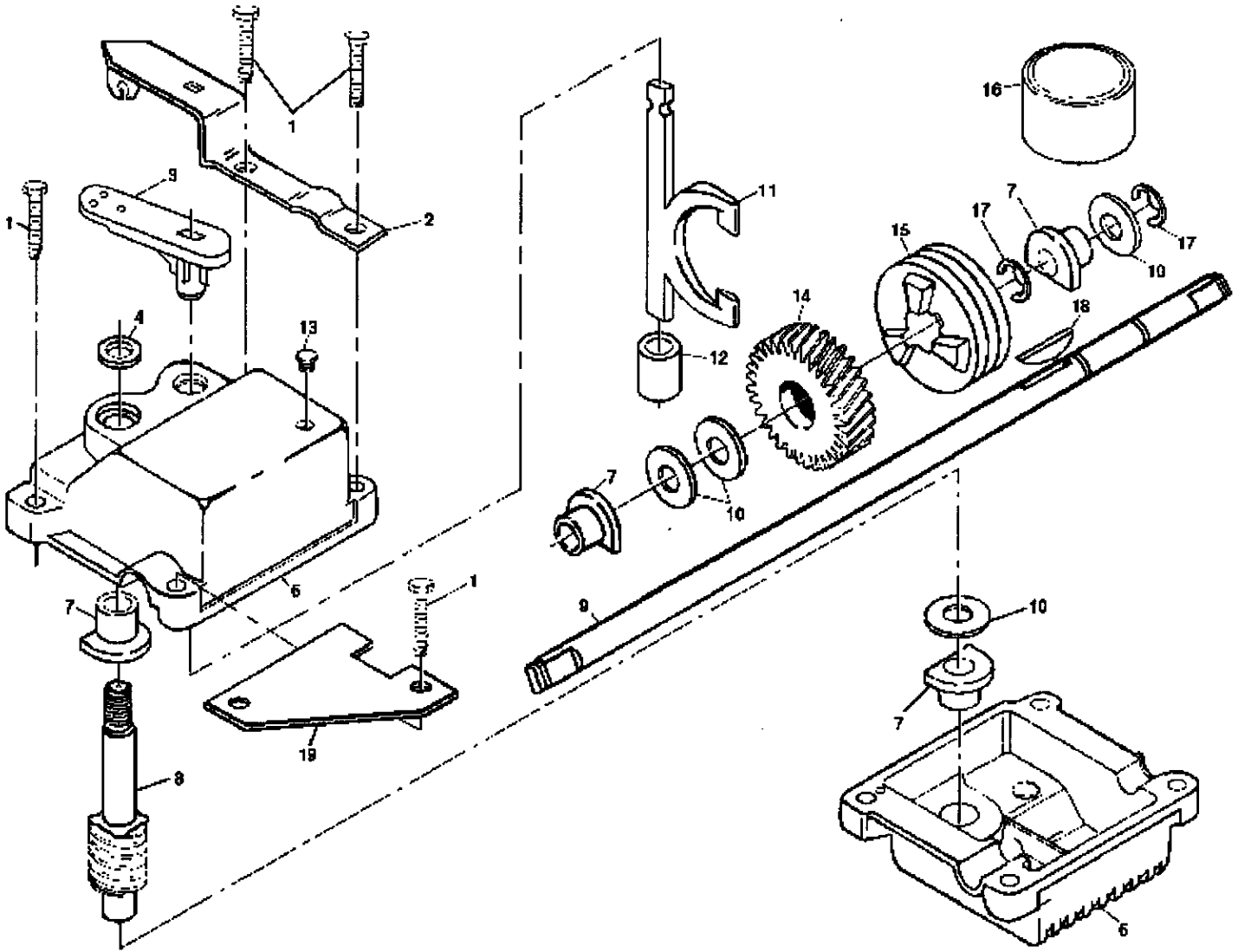
B



B

KEY NO.	PART NO.	DESCRIPTION	KEY NO.	PART NO.	DESCRIPTION
1	532 14 57-55	Dual Head Cable Control Assembly	20	532 08 60-12	Drive Shaft Cover
2	532 14 49-29	Hex Washer Head Screw 1/4-20x2.12	22	532 13 70-90	Spring
3	532 06 36-01	Locknut	23	532 70 25-11	Gear Case Assembly
4	532 05 71-43	Wave Washer	25	532 07 51-92	Spring
5	532 14 65-27	V-Belt	26	532 06 77-25	Washer
8	532 13 28-00	Selector Knob	27	532 13 70-52	Drive Pulley
9	532 15 04-95	Hex Head Bolt 1/4-20 x 2	28	532 13 20-10	Locknut
10	532 15 24-58	Wheel Adjuster Assembly (Left)	32	532 13 70-88	Drive Cover
11	532 15 24-57	Wheel Adjuster Assembly (Right)	34	532 14 60-72	Pan Head Tapping Screw #10-24x2-3/4
12	532 08 80-80	Dust Cover	36	532 08 39-23	Flanged Locknut
13	532 13 70-54	Pinion			
14	812 00 00-58	E-Rina			
15	532 80 11-56	Wheel & Tire Assembly			
19	532 80 11-53	Hubcap			

C



KEY NO.	PART NO.	DESCRIPTION
1	817 49 04-16	Tapping Screw 1/4-20x1-1/4
2	532 14 02-69	Engagement Bracket
3	532 13 70-53	Shifter
4	532 05 70-72	Seal
6	532 04 83-73	Gear Case Halves Kit (Includes Key Nos. 4 and 7)
7	532 07 78-81	Bearing
8	532 13 70-51	Worm Shaft
9	532 13 70-74	Drive Shaft (532702511)
--	532 13 70-77	Drive Shah (532702510)
10	532 05 70-79	Hardened Washer

KEY NO.	PART NO.	DESCRIPTION
11	532 13 14-84	Clutch Yoke
12	532 70 03-43	Bushing
13	532 08 64-47	Plug
14	532 13 70-50	Helical Gear
15	532 75 04-36	Clutch Jaw
16	532 75 03-69	Grease
17	812 00 00-03	E-Ring
18	532 85 08-48	Hi-Pro Key
19	532 12 54-41	Spring Bracket

NOTE: All component dimensions given in U.S. inches.
1 inch = 25.4 mm