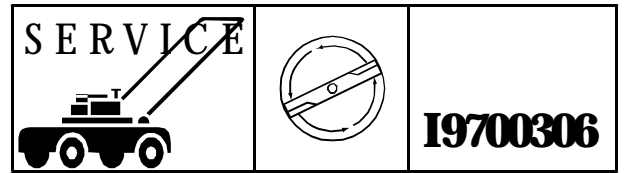


# Jonsered



IPL, LT13 42", 1997.04.15-01, 108 07 06-15

# LT13 42"

**Spare parts**

**Ersatzteile**

**Pièces détachées**

**Reserve onderdelen**

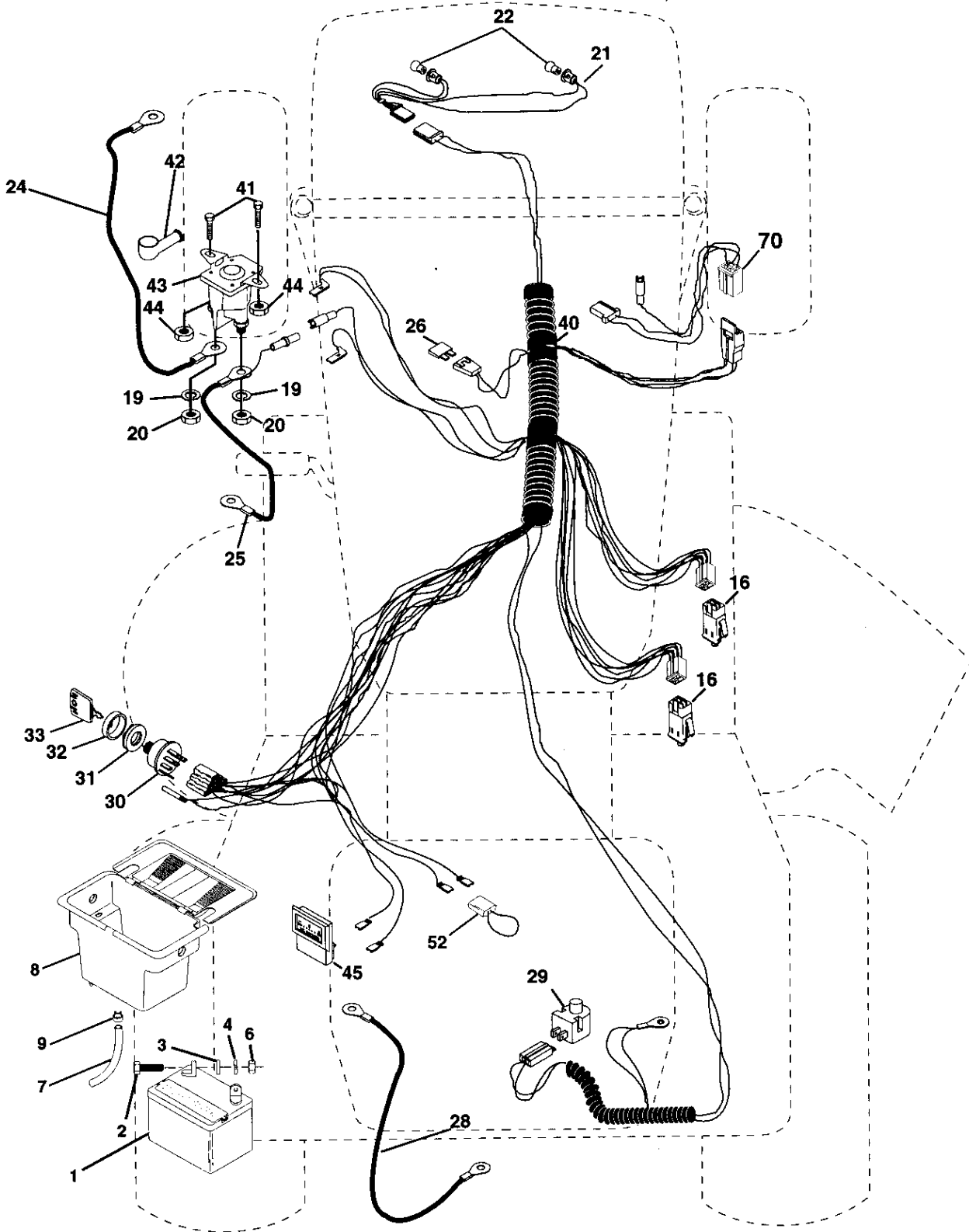
**Repuestos**

**Reservdelar**

**Product No: 9541300-01**

# P

## ELECTRICAL



# P

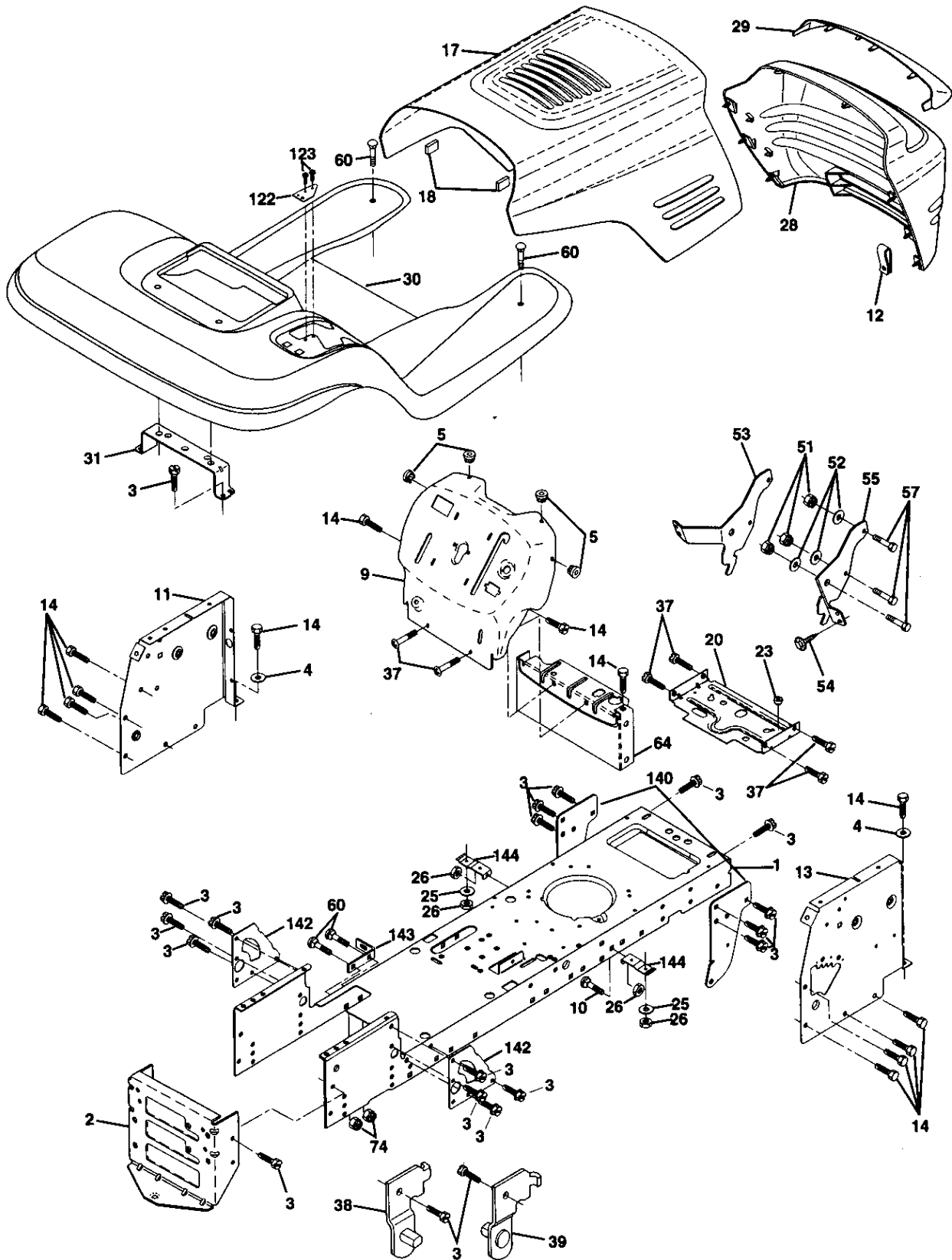
## ELECTRICAL

KEY NO.	PART NO.	DESCRIPTION
1	532 12 38-99	Battery 12 Volt 25 AMP
2	874 76 04-12	Bolt Hex Hd 1/4-20unc X 3/4
3	819 09 10-16	Washer 9/32 X 5/8 X 16 Ga.
4	810 04 04-00	Washer Lock Hvy Helical 1/4
6	873 22 04-00	Nut Fin Hex 1/4-20 Unc
7	532 10 92-38	Tube Plastic 12"
8	532 15 64-17	Case Battery Mech Hinge
9	532 10 95-96	Clamp Hose Olive
16	532 15 36-64	Switch interlock Push-In
19	810 09 04-00	Washer Lock 1/4
20	873 35 04-00	Nut Jam Hex 1/4-20 Unc
21	532 14 74-30	Harness Asm Light W/4152j
22	532 00 41-52	Bulb Light #1156
24	532 12 47-80	Cable Battery 6 Ga 11" red
25	532 14 61-47	Cable Battery 6 Ga 44" red w/16 wire
26	532 10 88-24	Fuse 30 AMP Auto Green
28	532 12 47-73	Cable Ground 6 Ga 12" black
29	532 12 13-05	Switch Plunger Nc Gray
30	532 14 03-01	Switch Ign 4 pos w/lights
31	532 12 42-11	Nut Ignition
32	532 14 12-26	Cover Sw Ignition
33	532 12 21-47	Key Ign Modelled Generic
40	532 15 64-42	Harness Ign.
41	871 11 04-08	Bolt Bik Fin Hex 1/4 - 20 x 1/2
42	532 13 15-63	Cover Terminal Red
43	532 14 56-73	Solenoid
44	873 64 04-00	Nut Keps Hex 1/4-20 Unc
45	532 12 14-33	Ammeter Rectangular 6 Amp
52	532 14 19-40	Protection Wire Loop
70	532 14 04-13	Harness, Eng. B&S/Tec Dual

**NOTE:** All component dimensions given in U.S. inches.  
1 inch = 25.4 mm.

# A

## CHASSIS AND ENCLOSURES



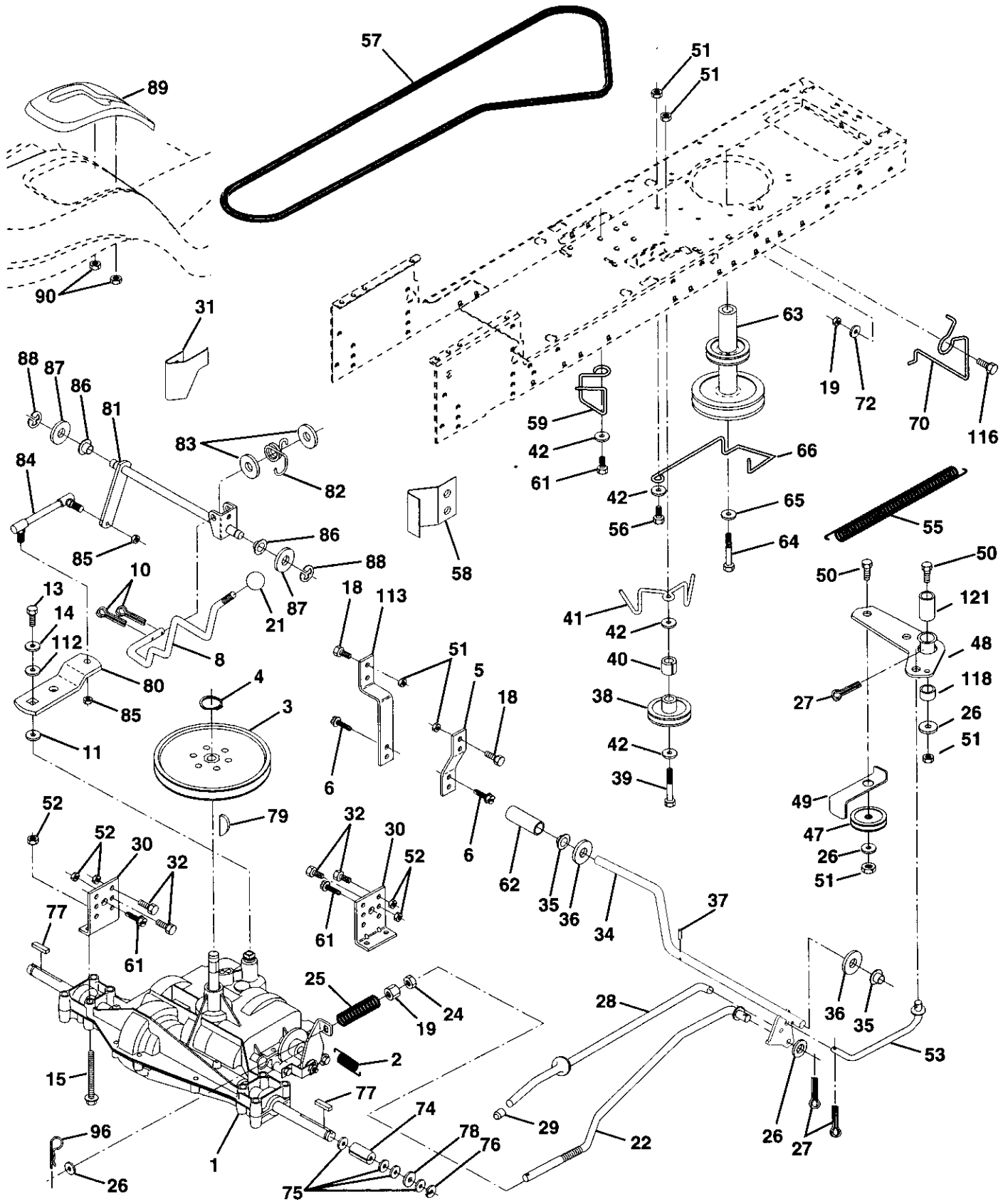
# A

## CHASSIS AND ENCLOSURES

KEY NO.	PART NO.	DESCRIPTION
1	532 15 38-71	Chassis Weldment
2	532 14 03-56	Drawbar, Stretch
3	817 49 06-12	Screw Thdrol 3/8-16x3/4 Ty-tt
4	819 13 12-16	Washer 13/32 x 3/4 x 16 Ga.
5	532 15 52-72	Bumper Hood/Dash
9	532 15 80-85	Dash P/L
10	872 14 06-08	Bolt Carriage 3/8-16 x 1
11	532 15 59-27	Panel Dash Lh
12	532 14 56-60	Clip Tinnerman Grille P/L
13	532 15 72-62	Panel Dash Rh
14	817 49 06-08	ScrewThdrol 3/8-16x1/2 Ty-tt
17	532 15 07-60	Hood LT/PL with Louvers
18	532 12 69-38	Bumper Hood
20	532 15 64-37	Plate Mtg Battery Fuel Tank Fr
23	532 12 40-28	Bushing
25	819 13 13-12	Washer 13/32 X 13/16 X 12 Ga
26	873 80 06-00	Nut Lock Hex W/Ins 3/8-16 Unc
28	532 15 06-71	Grille with Clips
29	532 14 51-99	Lens LT/PL Grille Shark Plain
30	532 15 67-93	Fender Footrest
31	532 13 99-76	Bracket Support Fender
37	817 49 05-08	Screw Thdrol 6/16-18 x 1/2 TYT
38	532 13 98-86	Bracket, Asm. Pivot, L.H., Mower Rear
39	532 13 98-87	Bracket, Asm. Pivot, R.H., Mower Rear
51	873 80 04-00	Nut Lock Hex W/Ins 1/4-20
52	819 09 14-16	Washer 9/32 x 7/8 x 1 6 Ga
53	532 14 52-01	Bracket Pnt. Pickoff LH
54	817 03 08-14	Screw Lock Spider #8 x 7/8
55	532 14 52-02	Bracket Grille Pickoff RH
57	874 78 04-12	Bolt Hex 1/4-20 x 3/4
60	872 14 06-06	Bolt Rdhd Sqnk 3/8-16unc x 3/4
64	532 15 47-98	Dash Lower STLT
74	873 68 06-00	Nut Crownlock 3/8-16 UNC
122	532 15 73-01	Bracket Shift STLT
123	532 15 29-27	Screw
140	532 15 05-56	Bracket Chassis Front 7 Ga.
142	532 15 60-95	Plate Reinforcement STLT
143	532 15 49-66	Bracket Swaybar Chassis
144	532 15 42-07	Bracket Pnt Footrest STLT
146	817 49 05-08	Screw Thdrol 5/16-18 x 1/2 Tyt

**NOTE:** All component dimensions given in U.S. inches  
1 inch = 25.4 mm

# L DRIVE



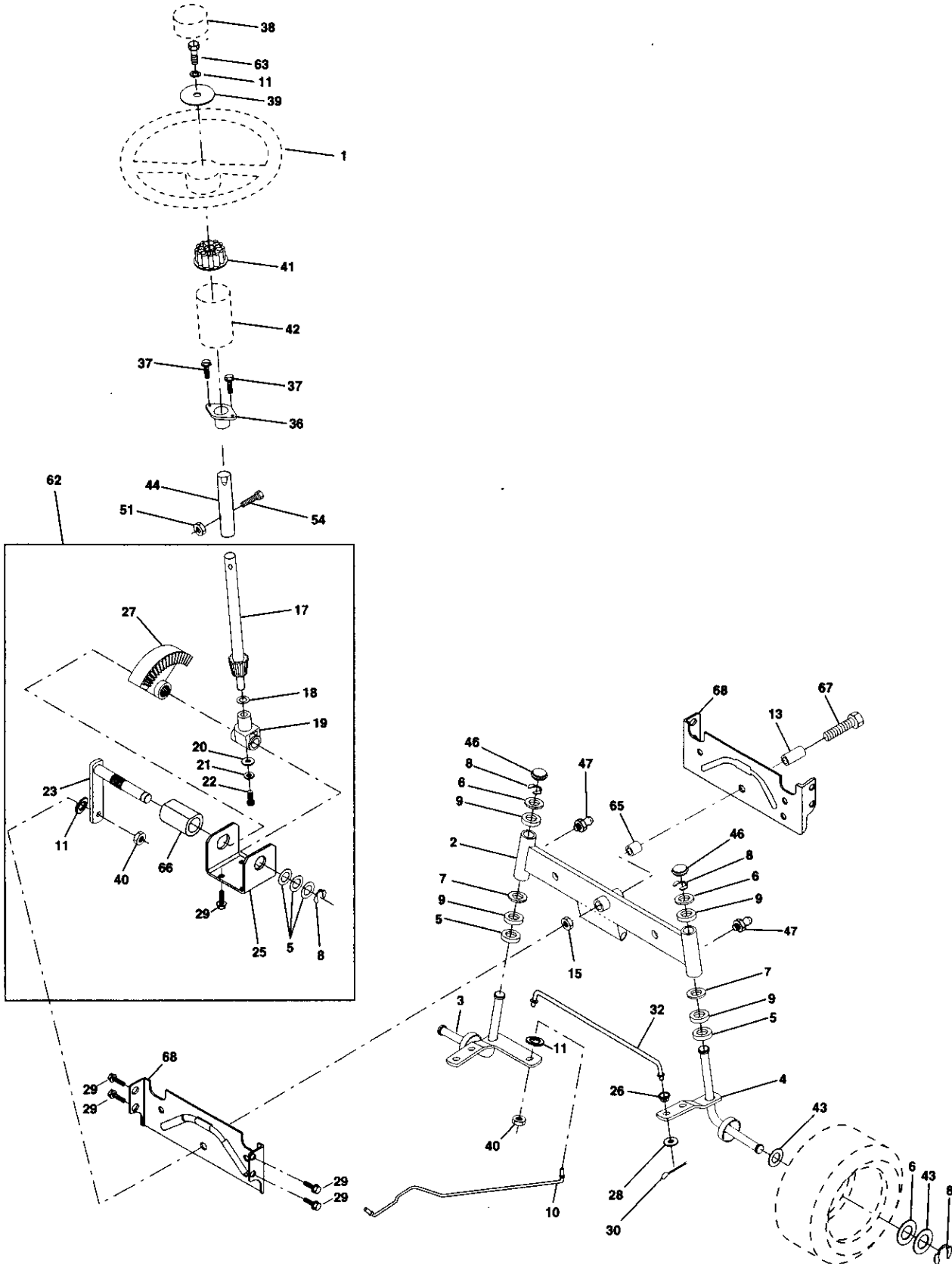
# L DRIVE

KEY PART NO.	NO.	DESCRIPTION	KEY PART NO.	NO.	DESCRIPTION
1	-----	Transaxle	53	532 10 57-10	Link Clutch
2	532 14 66-82	Spring Return Brake T/a Zinc	55	532 10 57-09	Spring Return Clutch 6 75
3	532 12 36-66	Pulley Transaxle 18" tires	56	874 76 06-20	Bolt Fin Hx 3/8-16 X 1/4
4	812 00 00-28	Ring Retainer # 5100-62	57	531 01 31-36	V-Belt Ground Drive 95 25
5	532 12 15-20	Strap Torque 30 Degrees	58	532 12 72-74	Keeper Belt RH LT Pnt/zinc 16g
6	817 49 05-12	Screw Thdrol 5/16-18 X 3/4 TYT	59	532 14 03-12	Keeper Belt Span Ctr
8	532 15 47-92	Rod Shifter	61	817 49 06-12	Screw Thdrol 3/8-16x3/4 Ty-U
10	876 02 04-16	Pin Cotter 1/8 X 1 Cad	62	532 12 48-72	Cover Pedal Round
11	532 10 57-01	Washer Plate Shf 388 Sq Hole	63	532 14 01-86	Engine Pulley LT/YT
13	874 55 04-12	Bolt1/4-28 Unf Gr 8 W/Patch	64	871 17 07-64	Bolt Hex
14	810 04 04-00	Washer Lock Hvy Helical 1/4	65	810 04 07-00	Washer Lock Hvy Hlcl Spr 7/16
15	874 49 05-44	Bolt Hex 5/16-18 Gr. 5	66	532 15 47-78	Keeper Belt Engine Foolproof
18	874 78 06-16	Bolt, Fin Hex 3/8-16 UNC x 1 Gr. 5	70	532 13 46-83	Guide Belt Mower Drive RH
19	873 80 06-00	Nut Lock 3/8-16 Unc	72	819 13 20-12	Washer 13/32 X 1-1/4 X 12 Ga
21	532 14 08-45	Knob	74	532 13 70-57	Spacer Axle
22	532 13 08-04	Rod Brake Blk Zinc 26 840	75	532 12 17-49	Washer 25/32 X 1 1/4 X 16Ga
24	873 35 06-00	Nut Hex Jam 3/8-16 Unc	76	812 00 00-01	E-ring#5133-75
25	532 10 68-88	Spring Rod Brake 2 00 Zinc	77	532 12 35-83	Key Square 2 0 X 1845/ 18 6a
26	819 13 13-16	Washer 13/32 X 13/16 X 1 6 Ga	78	532 12 17-48	Washer 25/32 X 1 -5/8 X 16 Ga
27	876 02 04-12	Pin Cotter 1/8 X 3/4 Cad	79	532 12 50-96	Key Woodruff #9 3/16 x 3/4
28	532 14 52-04	Rod Brake Parking LT/YT	80	532 13 14-86	Arm Shift
29	532 07 16-73	Cap Brake Parking Black	81	532 15 60-43	Shaft Asm Cross 20"t
30	532 13 08-07	Bracket Mtg Transaxle	82	532 12 37-82	Spring Torsion T/a
31	532 12 72-75	Keeper Belt LH LT 14 Ga	83	819 17 12-16	Washer 17/32 X 3/4 X 16 Ga
32	874 76 05-12	Bolt Hex Hd 5/16- 18unc X 3/4	84	532 12 37-93	Rod Shift
34	532 15 50-71	Shaft Asm Pedal Foot	85	532 15 03-60	Nut Lock Center 1/4 - 28 FNTHD
35	532 12 01-83	Bearing Nylon Blk 629 Id	86	532 07 12-08	Bushing Rod Strg 629/632 Id
36	819 21 16-16	Washer 21/32 X 1 X 16 Ga	87	819 21 20-16	Washer 21/32 X 1-1/4 X 16 Ga
37	532 12 49-63	Pin Roll 3/16 X 1"	88	812 00 00-08	Ring Klip #5304-62
38	532 12 36-74	Pulley Idler Flat	89	532 15 48-86	Console Shift STLT
39	874 76 06-44	Bolt Fin Hex 3/8-16unc X 2-3/4	90	532 12 43-46	Nut Self-thd Wsh-hd 1/4 Zinc
40	532 12 49-65	Spacer Split 395 X 59 Bzp	96	532 12 47-88	Retainer Spring 1"
41	532 15 47-77	Keeper Belt Retainer Idler	112	819 09 12-10	Washer 9/32 x 3/4 x 10 Ga.
42	819 13 13-12	Washer 13/32 X 13/16 X 12 Ga	113	532 12 72-85	Strap Torque LT
47	532 12 77-83	Pulley Idler V Groove Plastic	116	872 11 06-10	Bolt Rdhd Sq Neck 3/8-16 x 1.25
48	532 15 46-04	Bellcrank Asm	118	532 15 47-74	Spacer Bellcrank
49	532 12 32-05	Retainer Belt Style Spring	121	532 15 44-19	Nyliner Clutching STL
50	874 76 06-24	Bolt Hex Hd 3/8-16unc X 1-1/2			
51	873 68 06-00	Nut Crownlock 3/8-16 Unc			
52	873 68 05-00	Nut Crownlock 5/16-18 Unc			

**NOTE:** All component dimensions given in U.S. inches  
1 inch = 25.4 mm

# H

## STEERING ASSEMBLY





# H

## STEERING ASSEMBLY

KEY NO.	PART NO.	DESCRIPTION
1	532 14 00-44	Wheel Steering
2	532 15 44-27	Axle Asm STMP Dropped STL
3	532 15 44-22	Spindle Asm LH
4	532 15 44-23	Spindle Asm RH
5	532 12 49-31	Bearing Race Thrust Harden
6	532 12 17-48	Washer 25/32 X 1 -5/8 X 16 Ga
7	819 27 20-16	Washer 27/32 X 1-1/4 X 18 Ga
8	812 00 00-29	Ring Klip #t5304-75
9	532 12 49-37	Bearing Col Strg Blk
10	532 15 64-38	Link Drag Extended Stamp
11	810 04 06-00	Washer Lock Hvy Hlcl Spr 3/8
13	532 15 47-79	Bearing Axle STLT/GT
15	873 90 10-00	Nut Lock Flange 5/8-11 Unc
17	532 15 65-46	Shaft Asm Strg
18	532 05 70-79	Washer Thrust 515x 750x 033
19	532 12 40-35	Support Shaft
20	532 12 66-84	Washer Shim 1/4 X 5/8 X 062
21	810 04 04-00	Washer Lock Hvy Helical 1/4
22	871 10 04-10	Screw Cap Sckt Hd Phos & Oil
23	532 12 75-01	Shaft Asm Pittman
25	532 15 44-06	Bracket Steering
26	532 12 68-47	Bushing Link Drag Blk LR
27	532 13 68-74	Gear Sector
28	819 13 14-16	Washer 13/32 X 7/8 X 18 Ga
29	817 49 06-12	Screw Thdrol 3/8-18 x 3/4 Ty-tt
30	876 02 04-12	Pin Cotter 1/8 X 3/4 Cad
32	532 13 04-65	Rod Tie Wire Form 19 75 Mech
36	532 15 50-99	Bushing Strg
37	532 15 29-27	Screw
38	532 14 00-45	Insert Cap Strg Wh Au
39	819 13 38-08	Washer 13/32 X 2-3/8 X 8 Ga
40	532 12 47-01	Lock nut
41	532 10 07-11	Adaptor Wheel Strg
42	532 14 50-54	Boot Steering Shaft
43	532 12 17-49	Washer 25/32 X 1 1/4 X 16 Ga
44	532 15 37-20	Extension Steering Shaft LR/LT
46	532 12 12-32	Cap Spindle Fr Top Blk
47	532 12 48-36	Fitting Grease
51	873 80 05-00	Nut Lock Hex w/Ins 5/16-18
54	874 78 05-20	Bolt Fin Hex 5/16-18 Unc x 1-1/4
62	532 15 65-46	Kit, Steering Assembly Svc
63	874 78 06-16	Bolt Fin Hex 3/8-16unc x 1 Gr. 5
65	532 15 47-80	Spacer Axle
66	532 15 44-04	Bearing Arm Pittman
67	874 78 10-44	Bolt, Fin Hex 5/8-11 UNC x 2-3/4
68	532 15 44-29	Axle, Brace

**NOTE:** All component dimensions given in U.S. inches.  
1 inch = 25.4 mm.

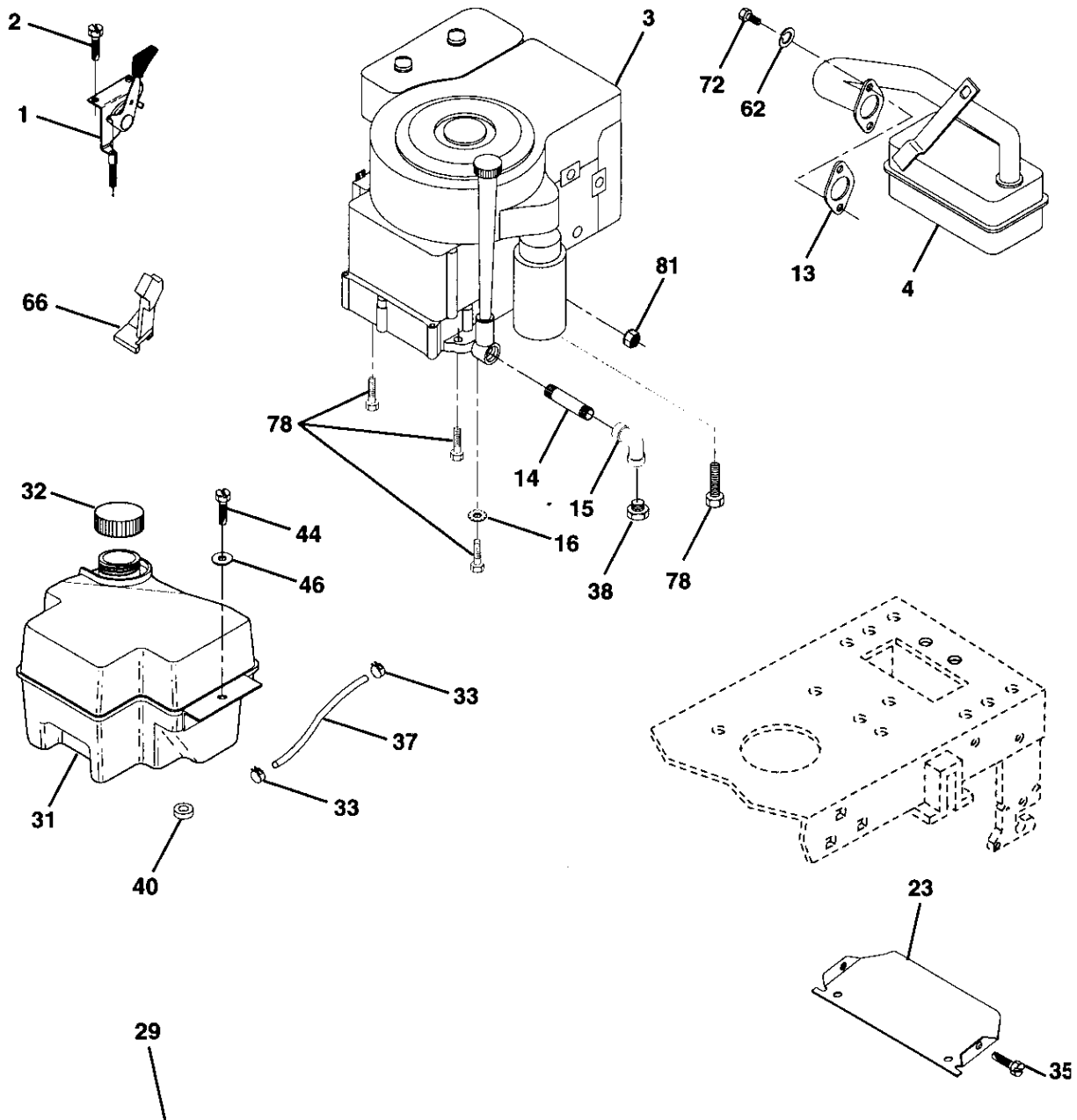
Correction:

Key No.

62 532 15 65-94

# F

ENGINE



**OPTIONAL EQUIPMENT**  
**Spark Arrester**

# F

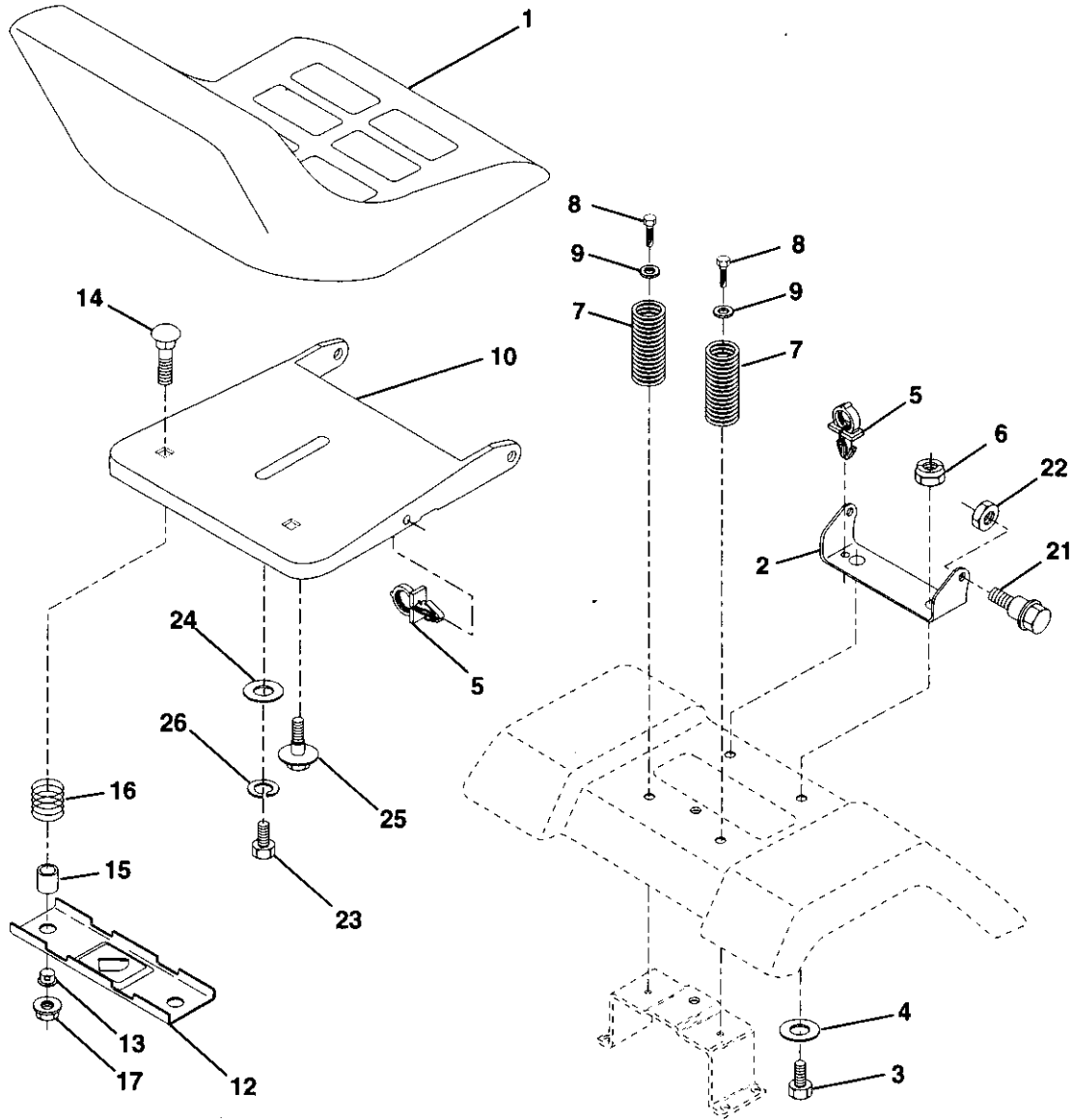
## ENGINE

KEY PART NO.	PART NO.	DESCRIPTION
1	532 14 13-59	Control Th/ch 20.22 LH Flag
2	817 72 04-10	Screw Hex Thd Cut 1/4-20x5/8 T
3	-----	Engine
4	532 13 73-48	Muffler LT B&S 12/12.5/13HP
13	532 27 22-93	Gasket Eng 1 313 Id Tin Plated
14	813 28 03-24	Nipple Pipe 3/8 Npt X 3"
15	813 20 03-00	Elbow Std 90 Degree 3/8-18 Npt
16	811 05 06-00	Washer Lock Ext Tooth 3/8
23	532 15 61-23	Shield Heat
29	532 13 71-80	Kit Spark Arrestor (Flat Scrn)
31	532 14 02-80	Tank Fuel Front 2 00
32	532 14 05-27	Cap Asm Fuel W/sym Vented
33	532 12 34-87	Clamp Hose Black
35	817 49 05-12	Screw
37	532 13 70-40	Line Fuel 20"
38	-----	Plug Oil Drain (Order From Engine Manufacturer)
40	532 12 40-28	Bushing Snap Nyl Blk Fuel Line
44	817 49 04-12	Screw Hexwsh Thdrol 1/4-20x3/4
46	819 09 14-16	Washer 9/32 X 7/8 X 16 Ga
62	810 04 05-00	Washer Lock Hvy Hlcl Spr 5/16
66	532 12 79-51	Stop Throttle 3000 RPM
72	871 07 05-12	Screw Hexhd Cap 5/16-18x 3/4
78	817 49 06-20	Screw Thdrol 3/8-16 x 1-1/4 TYTT
81	532 12 88-61	Nut Flange 1/4-20 Starter Nut

**NOTE:** All component dimensions given in U.S. inches  
1 inch = 25.4 mm

# C

## SEAT ASSEMBLY



KEY PART  
NO. NO.

DESCRIPTION

1	532 12 74-29	Seat
2	532 14 05-51	Bracket Pivot Seat 8 720
3	874 76 06-16	Bolt Fin Hex 3/8-16unc X 1
4	819 13 16-10	Washer 13/32 X 1 X 10 Ga
5	532 14 50-06	Clip Push-In
6	873 80 06-00	Nut Hex w/Ins. 3/8-16 Unc
7	532 12 41-81	Spring Seat Cprsn 2 250 Blk Zi
8	817 49 06-16	Screw Thdrol 3/8-1 6 X 1 Ty-tt
9	819 13 16-14	Washer 13/32 X 1 X 14 Ga.
10	532 15 59-25	Pan Seat
12	532 12 12-46	Bracket Mounting Switch
13	532 12 12-48	Bushing Snap Blk Nyl 50 Id

KEY PART  
NO. NO.

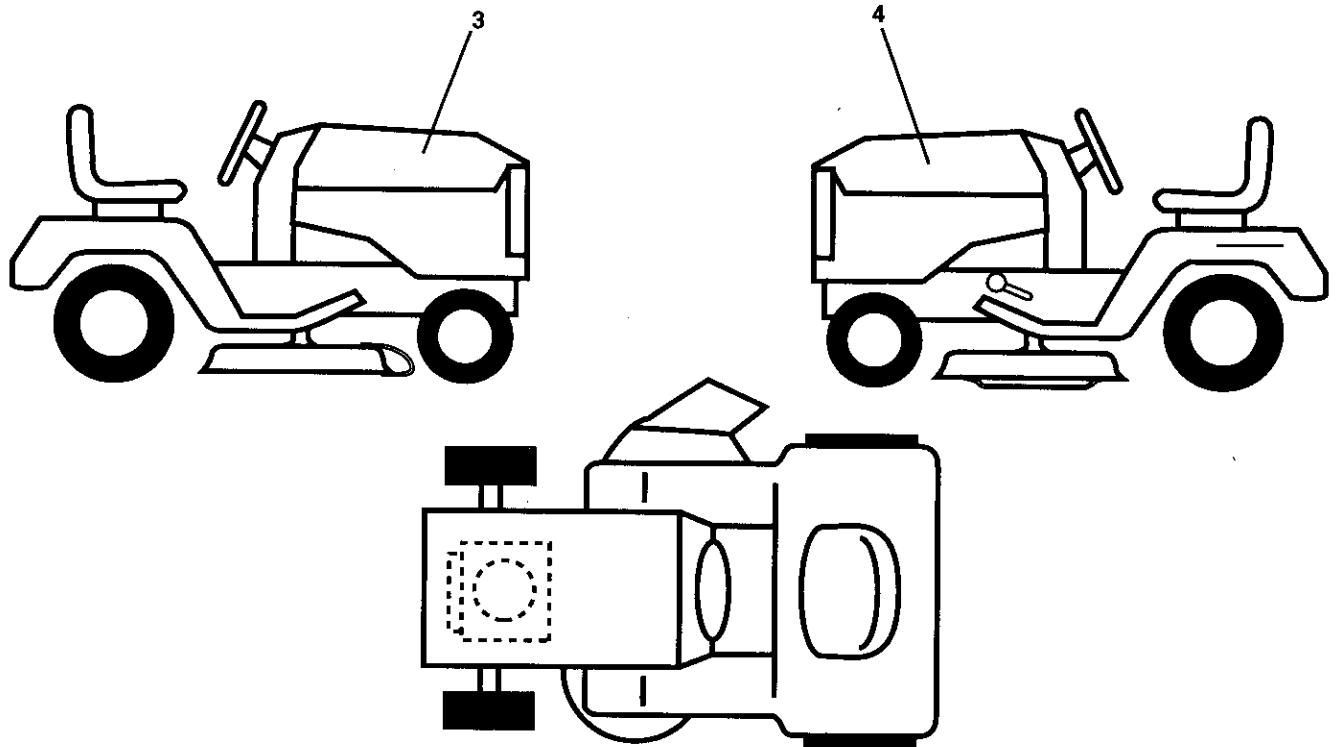
DESCRIPTION

14	872 05 04-11	Bolt Rdhd Sqnk 1/4-20 x 1-3/8
15	532 12 12-49	Spacer Split 28x88 Yel Zinc
16	532 12 37-40	Spring Cprsn 1 310 Blk Pat
17	532 12 39-76	Nut Lock 1/4 Lge Fig Gr 5 Zinc
21	532 15 32-36	Bolt Shoulder 5/16-18 Unc
22	873 80 05-00	Nut Hex Lock W/Ins 5/16-18
23	874 78 08-14	Bolt Fin Hex 1/2-13 x 7/8 Gr. 5
24	819 17 19-12	Washer 1 7/32 X 1-3/16 X 12 Ga.
25	532 12 70-18	Bolt Shoulder 5/16-18 X 62
26	810 04 08-00	Washer Lock Hvy Hlcl Spring 1/2

**NOTE:** All component dimensions given in U.S. inches.  
1 inch = 25.4 mm

# R

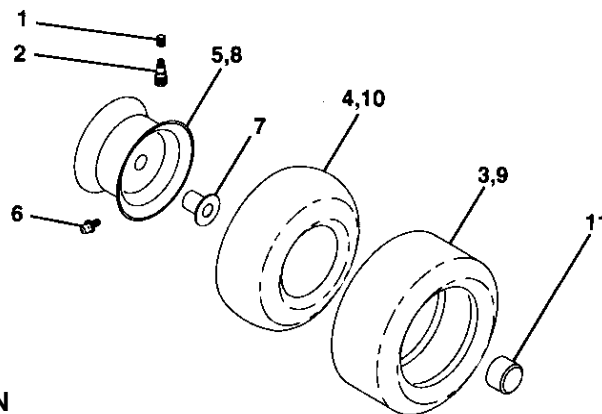
## DECALS



KEY NO.	PART NO.	DESCRIPTION
3	532 15 70-03	Decal Hood RH
4	532 15 70-04	Decal Hood LH

# R

## WHEELS & TIRES



KEY NO.	PART NO.	DESCRIPTION
1	532 05 91-92	Cap Valve Tire
2	532 06 51-39	Stem Valve
3	532 10 62-22	Tire F Ts 15 X 6 0 - 6 Service
4	532 05 99-04	Tube Front (Service Item Only)
5	532 13 83-36	Rim Asm 6"front Silver Service
6	532 12 49-57	Fitting Grease (Front Wheel Only)
7	532 12 49-59	Bearing Flange (Front Wheel Only)
8	532 13 83-37	Rim Asm 8"rear Silver Service
9	532 10 62-68	Tire R Ts 18x9 5-8 C Service
10	532 12 49-26	Tube Rear (Service Item Only)
11	532 10 47-57	Can Axle Blk 1 50 X 1 00

**NOTE:** All component dimensions given in U.S. inches  
1 inch = 25.4 mm



# M

## MOWER DECK

KEY NO.	PART NO.	DESCRIPTION
1	532 14 43-93	Deck Asm MWR 42"weldment
2	872 14 05-06	Bolt Rdhd Sqnk 5/16-18unc X3/4
3	532 13 80-17	Bracket Asm Fr Sway Bar 38/42
4	532 13 84-40	Bracket Asm Deck 42"sway Bar
5	532 12 46-70	Retainer Spring
6	532 13 08-32	Arm Suspension Rear
8	532 85 08-57	Bolt 3/8 - 24 X 1.25 Gr 8
9	810 03 06-00	Washer Lock Hvy 3/8
10	532 14 02-96	Washer Hard Blade Mower Vented
11	531 01 31-34	Blade Mower High Perf 42"
12	532 12 98-95	Bearing Ball #6024 (Mandrel)
13	532 13 76-45	Shaft Asm W/lower Bearing
14	532 12 87-74	Housing Mandrel Vented
15	532 11 04-85	Bearing Ball Mandrel
16	532 14 03-29	Stripper Mower Vented
17	872 11 06-10	Bolt Rdhd Sqnk 3/8-16 X 1-1/4
18	872 14 05-05	Bolt Rdhd Sqnk 5/16-18 X 5/8
19	532 13 28-27	Bolt Shoulder
20	532 13 68-88	Baffle Vortex 42
21	873 68 05-00	Nut Crownlock 5/16-18 UNC
22	532 13 47-53	Stiffener Bracket 42"deck
23	532 13 12-67	Bracket Deflector Mower 42"
24	532 10 53-04	Cap Sleeve 80x 112 Blk Mower
25	532 12 37-13	Spring Torsion Deflector 2 52
26	532 11 04-52	Nut Push Phos & Oil
27	532 13 09-68	Shield Deflector Mower 42" Blk
28	819 11 10-16	Washer 11/32 X 5/8 X 16 Ga
29	532 13 14-91	Rod Hinge 42" 6 75 Wlg
30	532 13 87-76	Screw Thdrol Hex Head Zinc Mwr
31	532 12 99-63	Washer Spacer Mower Vented
32	532 15 35-35	Pulley Mandrel 42"
33	532 13 72-66	Nut 9/16 Toplock Flng Oil Dip
34	872 11 06-14	Bolt Rdhd 3/8-16uncx1 -3/4 Gr5
35	532 13 38-35	Fastner Christmas Tree
36	532 13 14-94	Pulley Idler Flat 3 060
37	819 13 13-16	Washer 13/32 X 13/16 X 1 6
40	873 68 06-00	Nut Crownlock 3/8-16 UNC
41	532 13 35-51	Rod Pivot W/nibs
43	532 14 00-83	Rod Clutch Secondary W/nibs
44	532 14 00-88	Guard Mandrel LH Black
45	532 12 47-88	Spring Retainer 1" Zinc/cad
46	532 13 77-29	Screw Hex Thd Cut 1/4-20x5/8 T
48	532 13 39-44	Washer Hardened Smaller
49	532 15 50-66	Roller Asm Cam Follower 42"dec

Correction:

Key No.

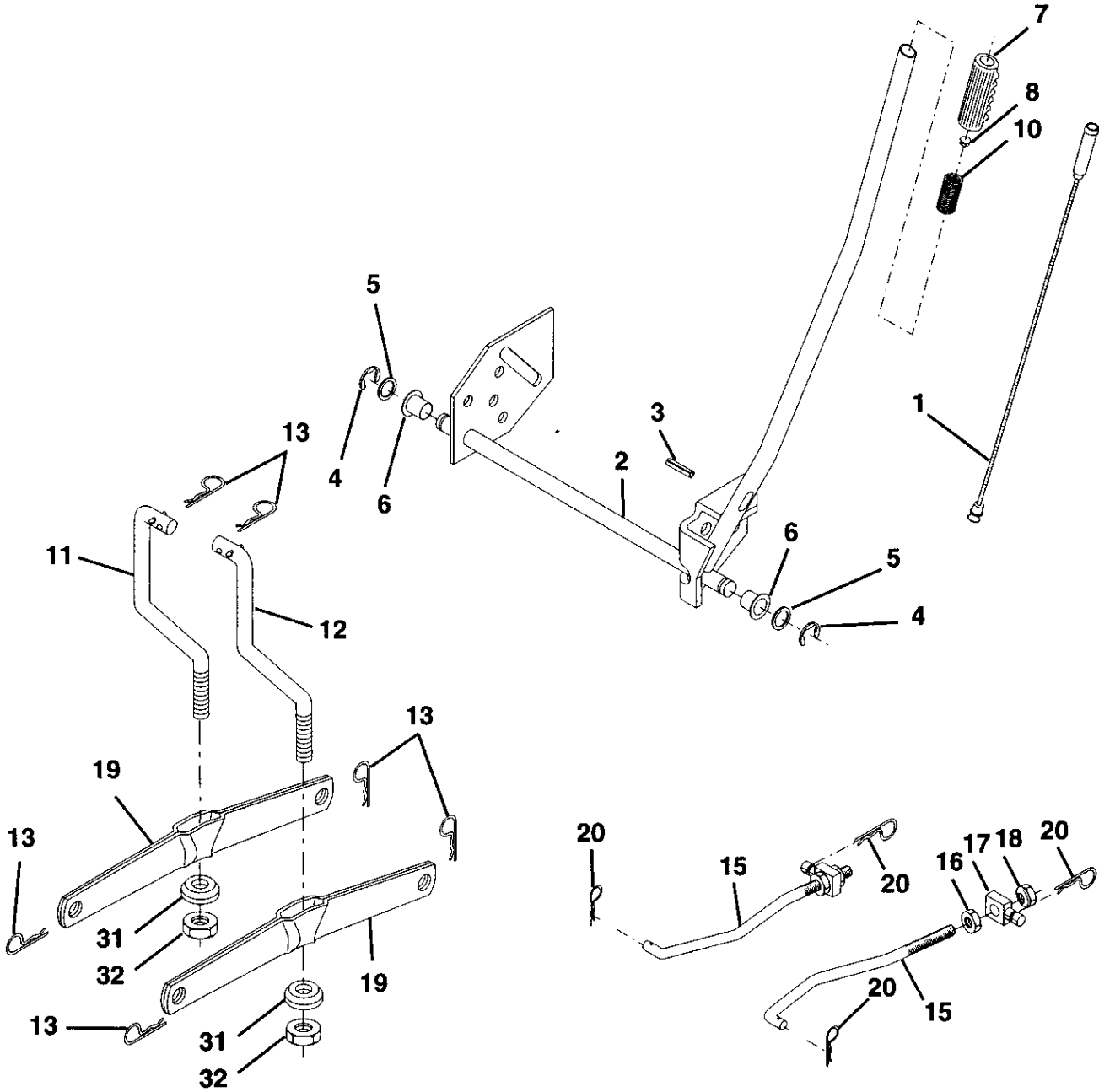
68 531 01 31-41

KEY NO.	PART NO.	DESCRIPTION
50	532 13 13-40	Bolt Shldr 10-24 Zinc Gr 5 42"
51	532 06 91-80	Nut Lock # 10-24 Unc
s2	532 13 98-88	Bolt Shoulder 5/16-18 Unc Blkz
53	532 15 73-88	Arm Asm Pad Brake
54	532 13 39-43	Washer Hardened
55	532 15 50-46	Arm Idler 42"mower LT/YT
56	532 12 20-52	Spacer Retainer Pm Mower
58	532 14 00-86	Spring Torsion Brakes
59	532 14 10-43	Guard TUV Idler
67	532 10 69-32	Knob Rd 3/8-16 Plstc Thds Blk
68	531 01 31-33	V-Belt Mower 42"
71	532 14 24-27	Rod Clutch Primary 38/42
72	532 13 18-70	Spring Return
73	532 12 78-47	Arm Clutch Secondary
74	532 12 17-48	Washer 25/32m X 1-5/8 X 16 Ga
75	812 00 00-29	Ring Klip #t5304-75
76	532 12 89-03	Bolt Shoulder 3/8-16 Unc 1 44
77	532 12 78-45	Keeper Spring 4 000
78	532 15 48-09	Arm Asm Clutch Primary
79	532 12 74-98	Bushing 747 Od X 794 Lg Brass
80	532 15 37-01	Spring Clutch Mower
81	873 35 06-00	Nut Hex Jam 3/8-16
82	532 14 20-28	Trunnion Adj 94
83	532 12 09-58	Washer Sintered
84	532 15 60-84	Keeper Belt Idler
85	872 14 06-18	Bolt Carriage 3/8-16 x 2-1/4 Gr.5
92	873 80 06-00	Nut Lock Hex W/Ins 3/8-16 Unc
128	532 15 33-90	Washer Felt
129	819 13 13-12	Washer 13/32 x 13/16 x 12 Ga.
130	874 78 06-16	Bolt Fin Hex 3/8-16 UNC x 1 Gr. 5
131	872 14 06-08	Bolt Rdhd Sqnk 3/8-16 x 1
132	819 13 22-03	Spacer Washer 13/32 I.D. x 1-3/8 O D x 1/4
--	532 13 07-94	Mandrel Asm Service (Includes Key Nos. 8-10, 12-15, 31 and 33)
--	532 14 47-83	Deck Serv 42" mch S Bar Mult-Lang (Standard Deck - Order noseroller, mulch cover and gauge wheel components separately Key Nos. 90-95, 101 -106 and 111 -120)

**NOTE:** All component dimensions given in U.S. inches  
1 inch = 25.4 mm

# O

## MOWER LIFT





# O

## MOWER LIFT

KEY NO.	PART NO.	DESCRIPTION
1	532 13 69-73	Wire Asm Inner W/plunger 17 32
2	532 14 51-17	Shaft Asm Lift
3	532 10 57-67	Pin Groove
4	812 00 00-02	E Ring #5133-62
5	819 21 16-21	Washer PLTD 21/32 X 1 X 21 ga
6	532 12 01-83	Bearing Nylon Blk 629 Id
7	532 10 94-13	Grip Handle Bicycle
8	532 12 45-26	Button Plunger Black
10	532 12 25-12	Spring Cprsn 3 750 Oiled
11	532 13 98-65	Link Lift LH
12	532 13 98-66	Link Lift RH
13	532 12 46-70	Retainer Spring
15	532 12 72-18	Link Front
16	873 35 08-00	Nut Jam Hex 1/2-13 Unc
17	532 13 01-71	Trunnion Blk Zinc
18	873 80 08-00	Nut Lock W/wsh 1/2-13unc
19	532 13 98-68	Arm Suspension Rear
20	532 12 46-60	Spring, Retainer
31	532 14 03-02	Bearing Pvt. Lift Spherical
32	873 54 06-00	Nut Crownlock 3/8-24

**NOTE:** All component dimensions given in U.S. inches  
1 inch = 25.4 mm