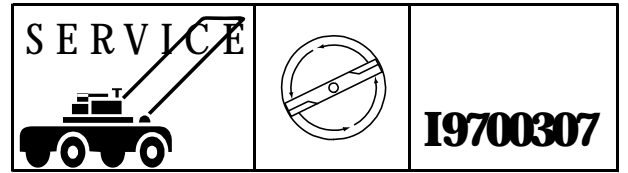


Jonsered



IPL, LRH13 36", 1997-04-22

LRH13 36"

Spare parts

Ersatzteile

Pièces détachées

Reserve onderdelen

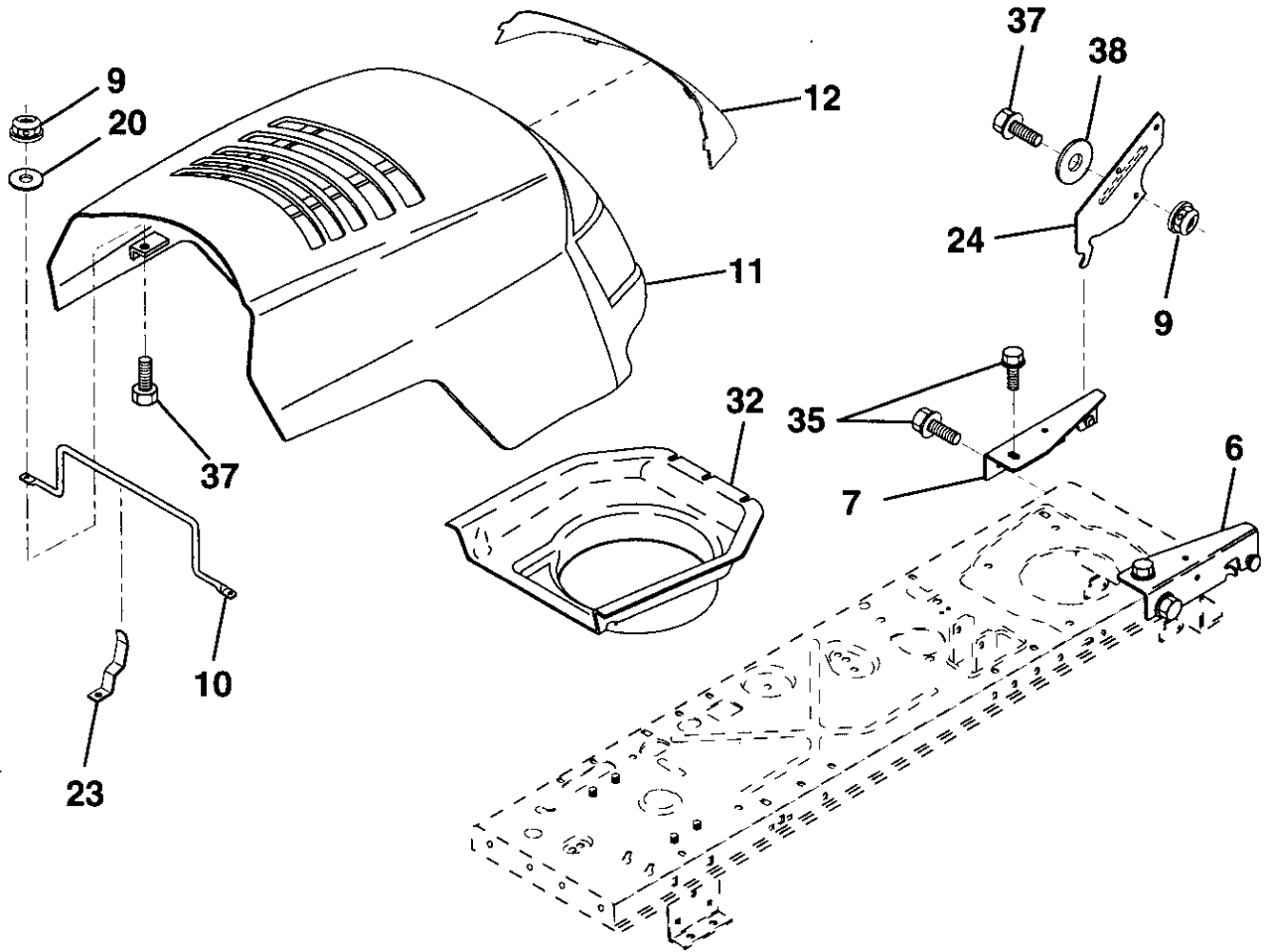
Repuestos

Reservdelar

Product No: 954 00 34-21

A

HOOD

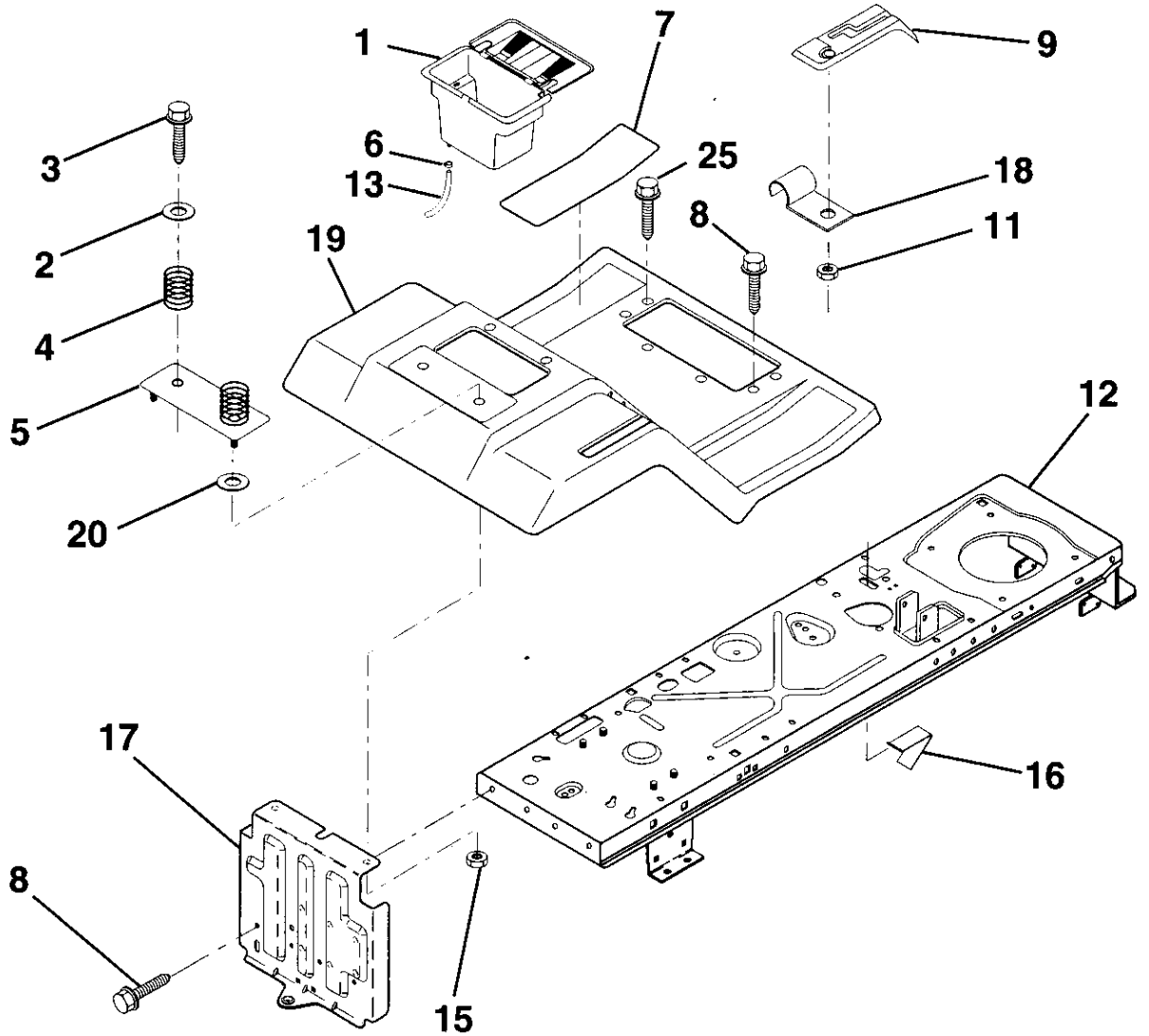


KEY NO.	PART NO.	DESCRIPTION	KEY NO.	PART NO.	DESCRIPTION
6	532 14 00-51	Bracket Asm. Pivot Hood RH	23	532 13 99-69	Latch Hood
7	532 14 00-50	Bracket Asm. Pivot Hood LH	24	532 13 91-58	Bracket Pivot Hood
9	873 80 04-00	Locknut W/Insert 1/4-20	32	532 13 96-24	Duct Air Hood
10	532 14 13-21	Rod Support	35	817 49 05-12	Screw Thdrol 5/16-28 x 3/4
11	532 14 15-09	Hood	37	874 78 04-12	Bolt Fin Hex 1/4-20 x 3/4
12	532 13 92-98	Lens Bar	38	819 09 20-16	Washer
20	819 09 10-16	Washer, Flat 1/4			

HARDWARE SHOWN LARGER FOR EASIER IDENTIFICATION

B

FENDER/CHASSIS



KEY PART
NO. NO.

DESCRIPTION

KEY PART
NO. NO.

DESCRIPTION

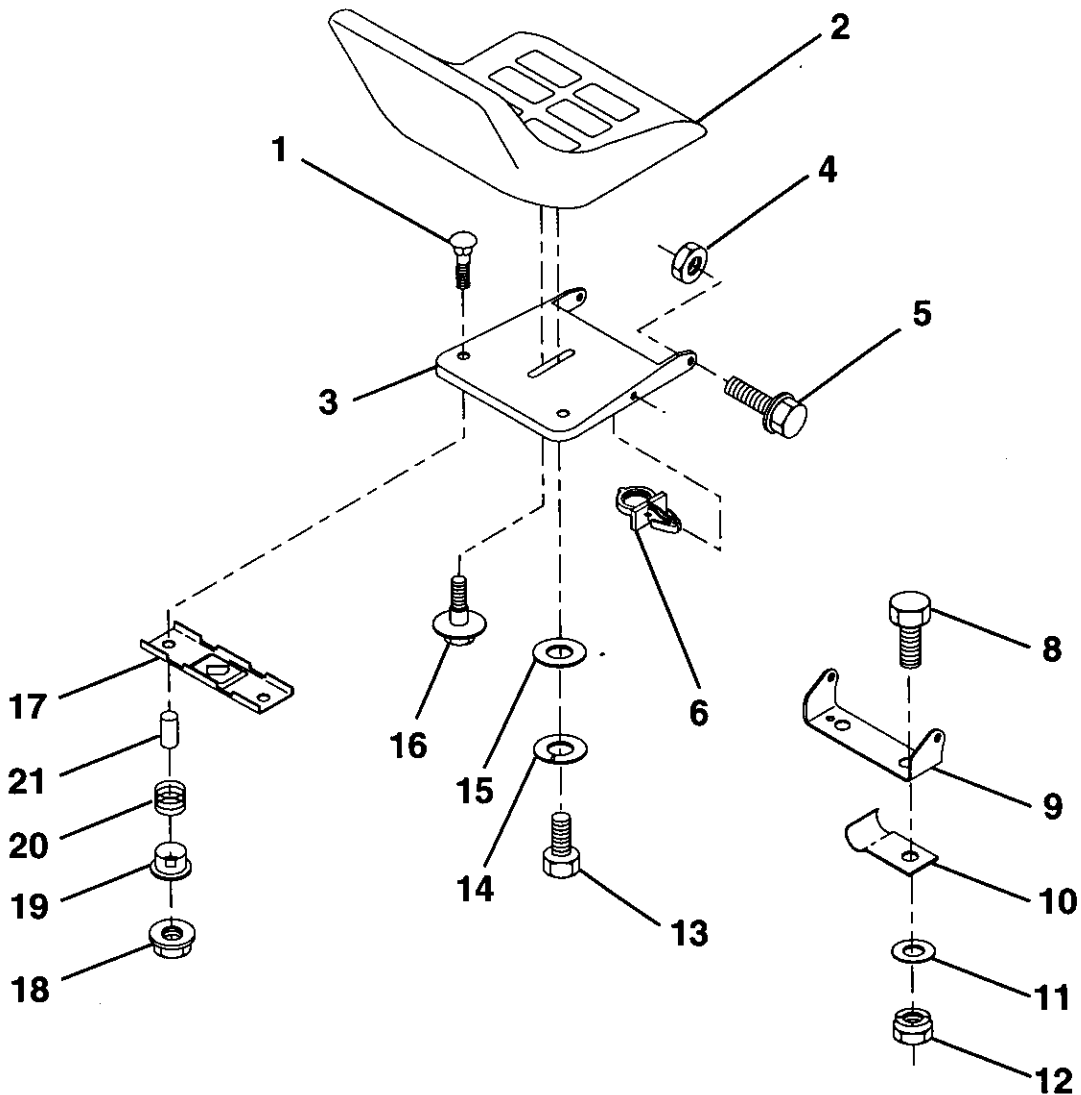
1	532 14 49-40	Case, Battery
2	819 13 20-12	Washer 13/32 x 1 -1 /4 x 12 Ga.
3	817 49 06-12	Screw, Hex Wsh. Thrdrol 3/8-16 x 3/4
4	532 12 41-81	Spring, Compression, Seat
5	532 12 54-31	Plate, Asm. Battery
6	532 10 95-96	Clamp, Hose
7	532 12 41-44	Pad, Footrest
8	817 49 05-12	Screw Thdrol 5/16-18 x 3/4
9	532 14 09-19	Console, Shift Control

11	532 12 43-46	Nut, Self-Threading, Wsher Hd 3/16
12	532 14 51-90	Chassis Asm, Weldment
13	532 10 92-38	Tube, Battery Drain
15	873 64 04-00	Nut, Keps 1/4-20 UNC
16	532 14 17-36	Switch Actuator
17	532 14 07-82	Drawbar
18	532 12 64-70	Clip, insulated
19	532 14 16-50	Fender/Footrest
20	819 09 14-13	Washer 9/32 x 7/8 x 13 Ga.
25	817 19 05-16	Scr-Hx Wsh Thd Rol 5/16-18x1

HARDWARE SHOWN LARGER FOR EASIER IDENTIFICATION

C

SEAT

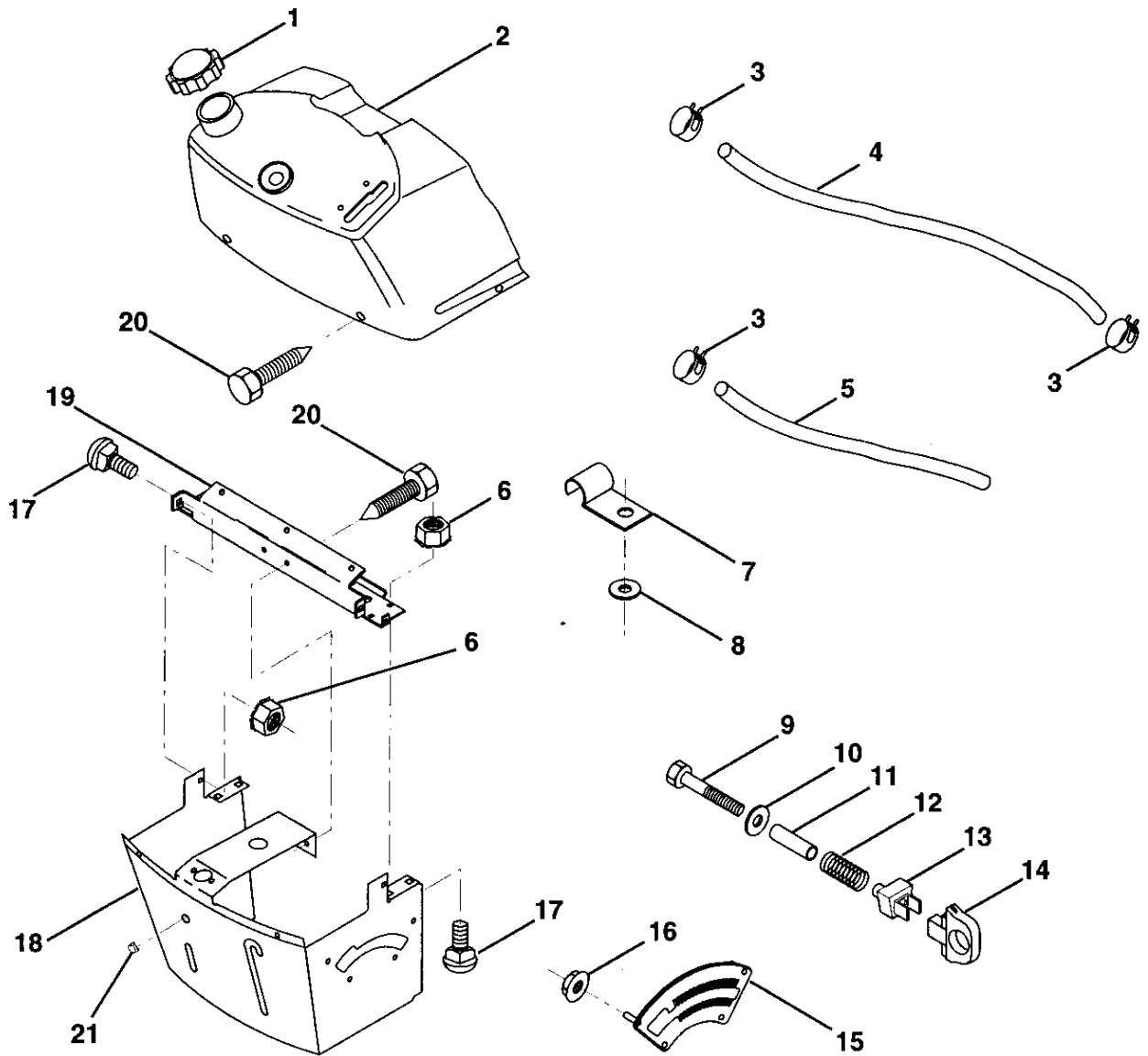


KEY NO.	PART NO.	DESCRIPTION	KEY NO.	PART NO.	DESCRIPTION
1	872 05 04-11	Bolt, Carriage 1/4-20 x 1-3/8	12	873 80 06-00	Nut, Lock Hex W/Wsh 3/8-16 UNC
2	532 12 74-29	Seat	13	874 78 08-14	Bolt Hex 1/2-13 x 7/8
3	532 14 05-52	Pan, Seat	14	810 04 08-00	Washer Lock Hvy. Hlicl Spring 1/2
4	873 80 05-00	Nut, Lock Hex W/Ins. 5/16-18	15	819 17 19-12	Washer, 17/32 x 1-3/16 x 12 Ga.
5	532 15 32-36	Bolt, Shoulder 5/16-18 UNC	16	532 12 70-18	Bolt, Shoulder
6	532 14 50-06	Clip, insulated	17	532 12 12-46	Bracket, Switch, Mounting
8	874 76 06-16	Bolt, Fin Hex 3/8-16 UNC x 1	18	532 12 39-76	Nut, Hex Large Flange Lock
9	532 14 05-51	Bracket, Pivot Seat	19	532 12 12-48	Bushing, Snap
10	532 12 64-71	Clip insulator	20	532 12 37-40	Spring, Compression
11	819 13 32-10	Washer 12/32 x 2 x 10 Ga.	21	532 12 12-49	Spacer, Split 28 id. x .88 Lg.

HARDWARE SHOWN LARGER FOR EASIER IDENTIFICATION

D

DASH

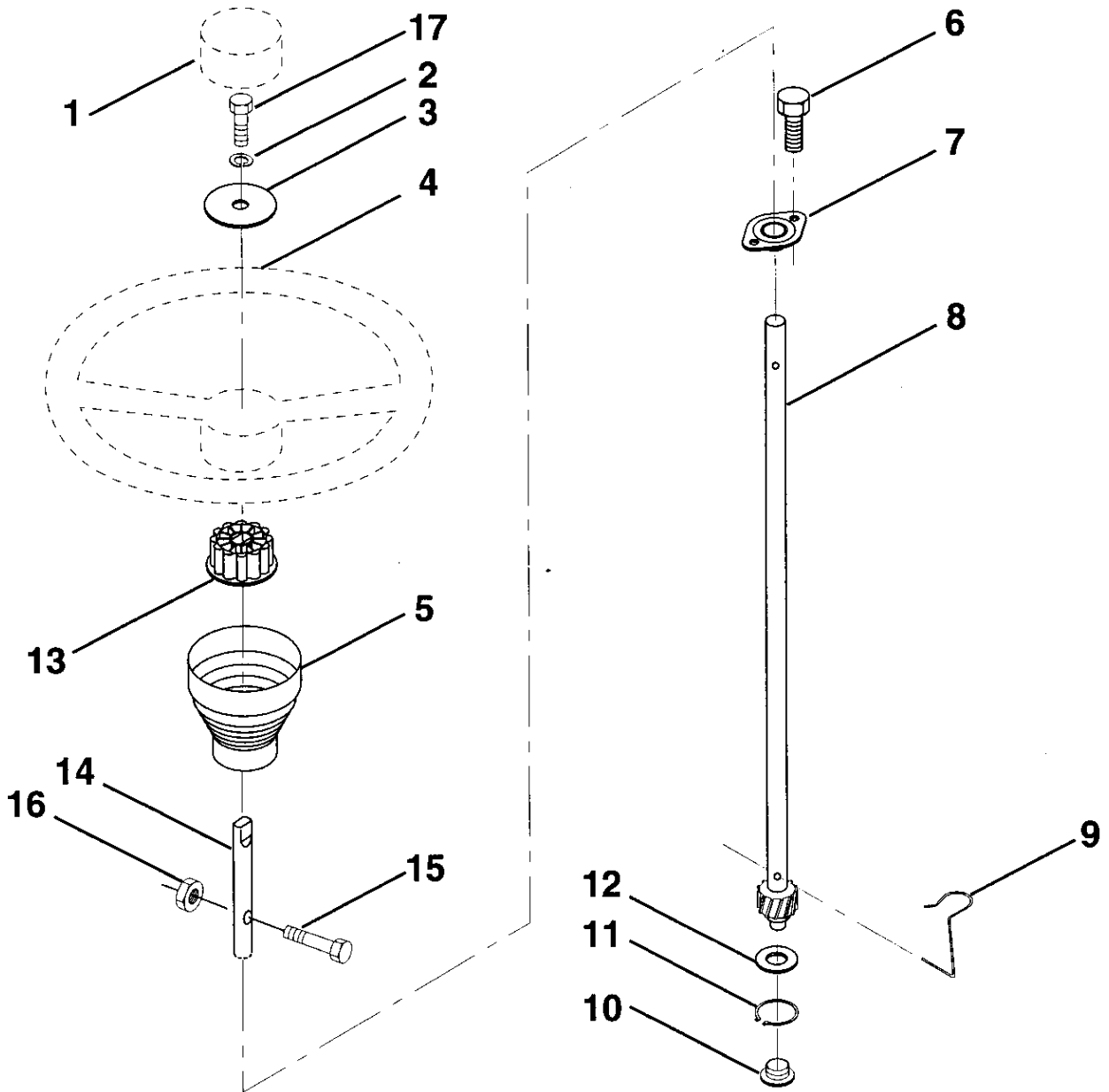


KEY NO.	PART NO.	DESCRIPTION	KEY NO.	PART NO.	DESCRIPTION
1	532 14 15-23	Cap, Fuel	12	532 00 37-20	Spring
2	532 13 83-92	Assembly, Dash & Fuel Tank	13	532 12 64-50	Clip, Height Adjustment
3	532 12 34-87	Clamp, Hose	14	532 12 61-15	Knob, Height Stop
4	532 00 85-44	Line, Fuel	15	532 12 20-23	Adjustment, Quadrant Height
5	532 00 85-48	Line, Fuel	16	532 12 43-46	Nut, Self-Threading 3/16-18
6	873 64 04-00	Nut, Hex, Keps 1/4-20	17	872 11 04-04	Bolt, Carriage 1/4-20 x 1/2 Gr. 5
7	532 12 49-96	Clip, Fuel Line	18	532 13 07-45	Support Assembly, Dash
8	819 09 12-16	Washer 9/32 x 3/4 x 16 Ga.	19	532 13 47-44	Brace, Cross
9	874 76 04-28	Bolt, Hex, Fin 1/4-20 x 1-3/4	20	817 06 04-08	Screw, Self-Tapping 1/4-20 x 1/2
10	819 09 14-13	Washer 11/32 x 11/16 x 16 Ga.	21	532 13 40-14	Plug Dome Black
11	532 12 12-49	Spacer, Split			

HARDWARE SHOWN LARGER FOR EASIER IDENTIFICATION

E

STEERING WHEEL



KEY NO.	PART NO.	DESCRIPTION
1	532 14 01-75	Insert, Wheel, Steering
2	810 04 06-00	Washer, Lock Hvy Hlcl
3	819 13 38-08	Washer 12/32 x 2-3/8 x 8 Ga.
4	532 13 97-68	Wheel, Steering
5	532 12 18-97	Sleeve, Steering
6	532 15 29-27	Screw, TT #10-32.5 x 3/8 Flange
7	532 10 28-03	Bushing, Steering
8	532 15 51-04	Shaft, Steering
9	532 12 42-10	Clip, Steering

KEY NO.	PART NO.	DESCRIPTION
10	532 12 34-38	Bushing, Lower, Steering
11	812 00 00-45	Ring, Retaining
12	819 21 16-16	Washer 21/32 x 1 x 16 Ga.
13	532 10 07-11	Adaptor, Wheel, Steering
14	532 15 37-20	Extension Shaft Steering
15	874 78 05-20	Bolt Fin Hex 5/16-18 UNC x 1-1/4
16	873 80 05-00	Nut, Lock Hex W/Ins 5/16-18 UNC
17	874 78 06-16	Bolt, Fin Hex 3/8-16 UNC x 1

Correction:

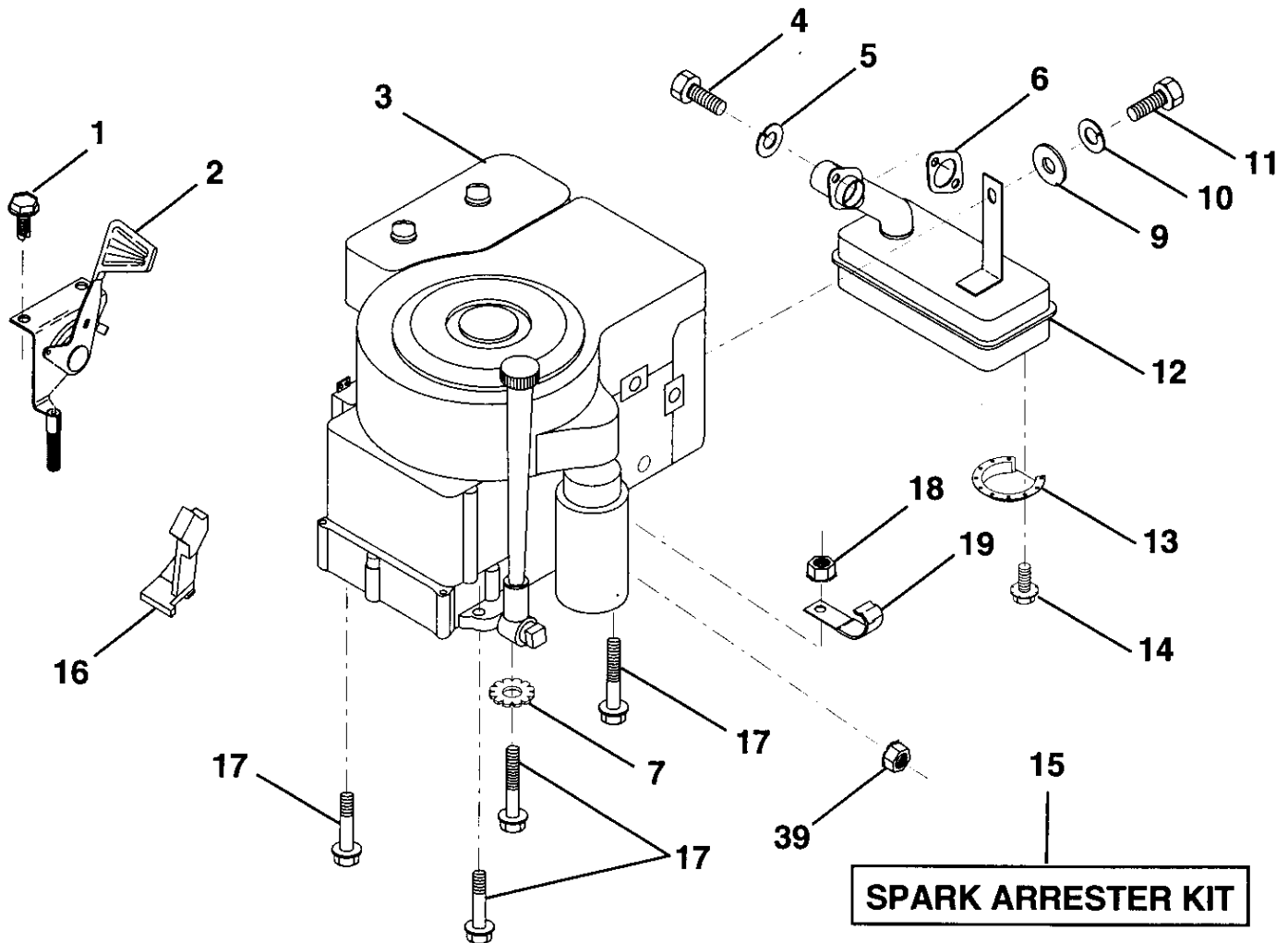
No. 7: 532 15 51-04

No. 8: 532 14 73-91

HARDWARE SHOWN LARGER FOR EASIER IDENTIFICATION

F

ENGINE

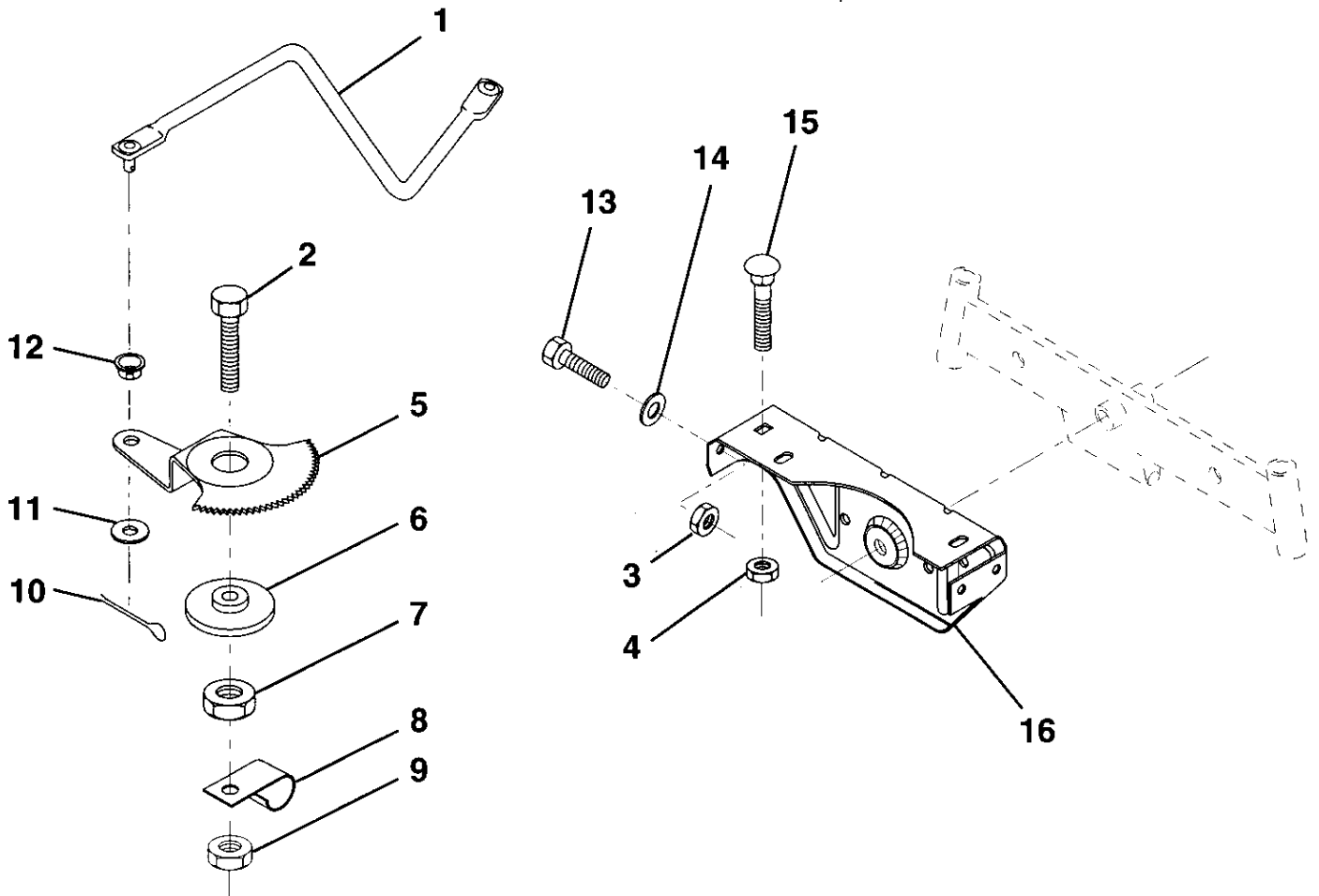


KEY NO.	PART NO.	DESCRIPTION	KEY NO.	PART NO.	DESCRIPTION
1	817 06 04-08	Screw, Hex Thd. Cut 1/4-20x1/2	12	532 13 74-37	Muffler
2	532 13 30-25	Control, Throttle	13	532 10 13-26	Deflector, Muffler
3	-----	Engine	14	817 03 08-08	Screw, Spiderloc
4	871 07 05-12	Screw, Hex, Cap 5/16-1 8 x 3/4	15	532 13 71-80	Arrester, Spark (Optional equipment)
5	810 04 05-00	Washer, Lock Heavy Helical Spring 5/16	16	532 12 79-51	Stop, Throttle
6	532 27 22-93	Gasket, Exhaust	17	817 49 06-24	Screw, Hex Washer Head, Thdrol. 3/8-16 x 1 -1/2
7	811 05 06-00	Washer Lock Ext. Tooth 3/8	18	873 51 06-00	Nut Keps Hex 3/8-16
9	819 10 12-16	Washer, Lock Hex 3/4 x 16	19	532 12 49-96	Clip Line Fuel
10	810 04 04-00	Washer, Lock Hvy Hlcl Spring 1/4	39	532 12 88-61	Nut Flange 1/4-20
11	-----	Bolt (Order from Eng. Mfg.)			

HARDWARE SHOWN LARGER FOR EASIER IDENTIFICATION

G

SECTOR GEAR / AXLE SUPPORT



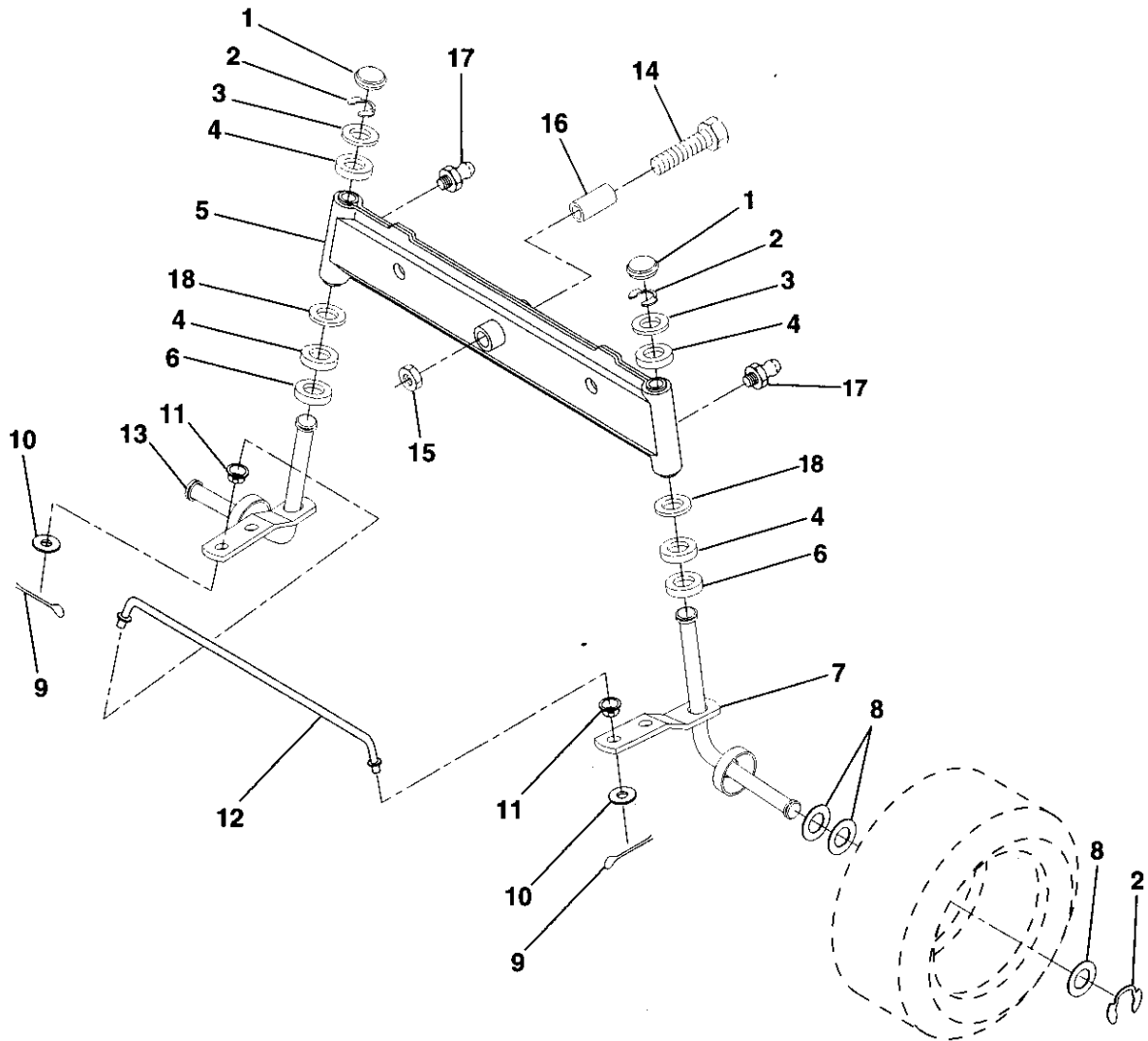
KEY NO.	PART NO.	DESCRIPTION
1	532 13 25-66	Link, Drag
2	874 78 08-28	Bolt, Fin Hex 1/2-13 x 1-3/4
3	873 68 05-00	Nut, Crownlock 5/16-18
4	873 68 06-00	Nut, Crownlock 3/8-16
5	532 12 19-26	Gear, Sector
6	532 12 19-27	Bushing
7	873 03 08-00	Nut, Heavy Hex Top Lock 1/2-13 UNC
8	532 12 64-72	Clip, insulated

KEY NO.	PART NO.	DESCRIPTION
9	873 68 08-00	Nut, Crownlock 3/8-16
10	876 02 04-12	Pin, Cotter 1/6 x 3/4
11	819 13 13-16	Washer, 13/32 x 13/16 x 16 Ga.
12	532 12 68-47	Bushing
13	874 76 05-12	Bolt, Hex Hd. 5/16-18 UNC x 3/4
14	819 11 14-16	Washer 11/32 x 7/8 x 16 Ga.
15	872 11 06-06	Bolt, Carriage 3/8-16 UNC x 3/4
16	532 13 70-96	Support, Front Axle

HARDWARE SHOWN LARGER FOR EASIER IDENTIFICATION

H

FRONT AXLE

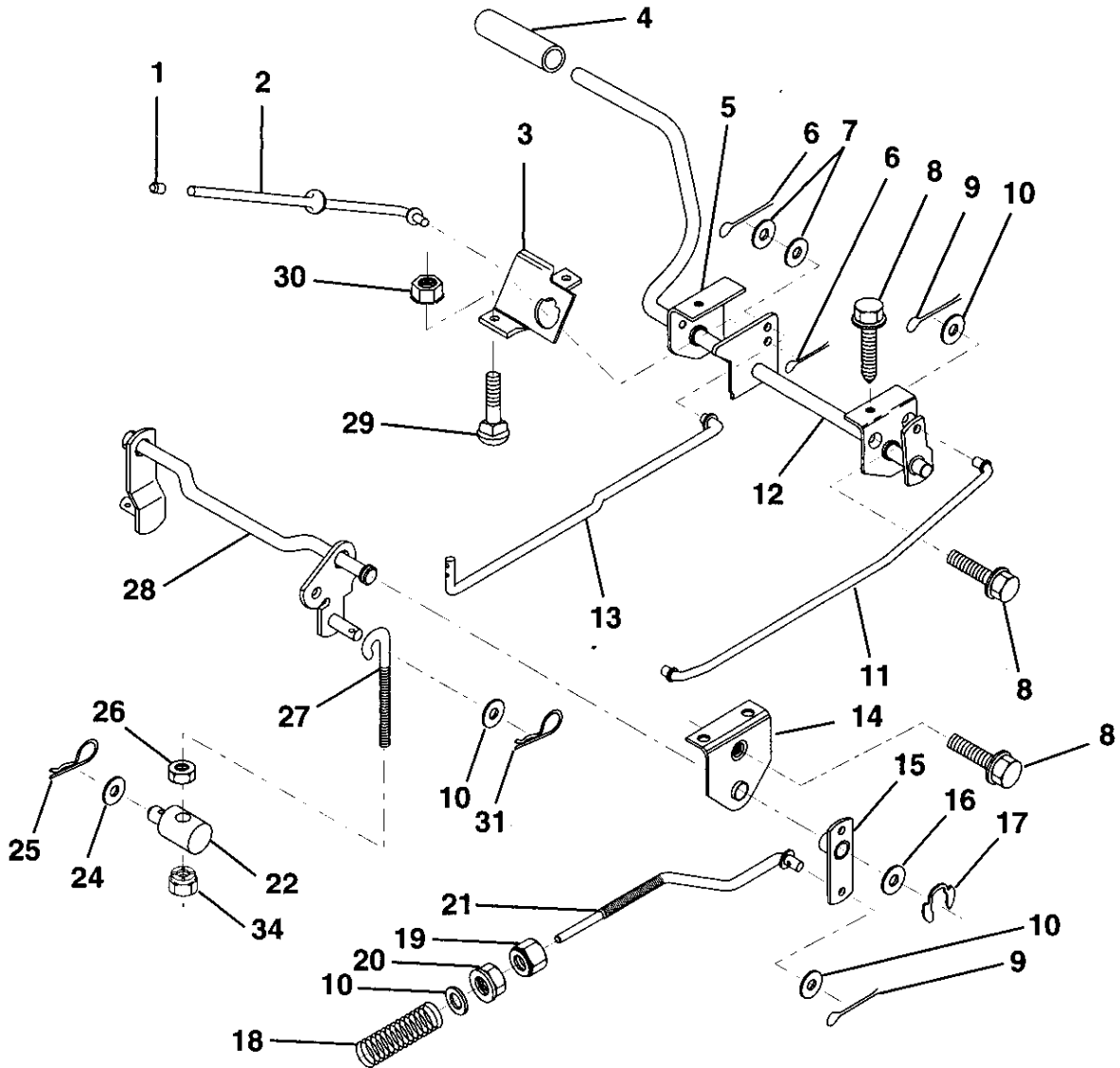


KEY NO.	PART NO.	DESCRIPTION	KEY NO.	PART NO.	DESCRIPTION
1	532 12 12-32	Cap, Spindle	10	819 13 13-16	Washer 1 3/32 x 1 3/16 x1 6 Ga.
2	812 00 00-29	Ring, Clip	11	532 12 68-47	Bushing
3	532 12 17-48	Washer 25/32 x 1 -5/8 x 1 6 Ga.	12	532 13 04-65	Rod, Tie
4	532 12 49-37	Nyliner	13	532 13 70-61	Spindle, L.H. Asm
5	532 14 20-33	Axle, Front	14	874 01 10-56	Bolt Hex 5/1-11 x 3-1/2
6	532 12 49-31	Bearing, Thrust	15	873 90 10-00	Nut, Lock Flange 5/8-11
7	532 13 70-62	Spindle, R.H.Asm.	16	532 11 04-38	Spacer Bearing Axle
8	532 12 17-49	Washer 25/32 x 1-1/4 x 16 Ga.	17	532 12 48-36	Fitting Grease
9	876 02 04-12	Pin, Cotter 1/8 x 314	18	819 27 20-16	Washer 27/32 x 1-1/4 x 16 Ga.

HARDWARE SHOWN LARGER FOR EASIER IDENTIFICATION

J

BRAKE / REAR MOWER LIFT ASSEMBLY

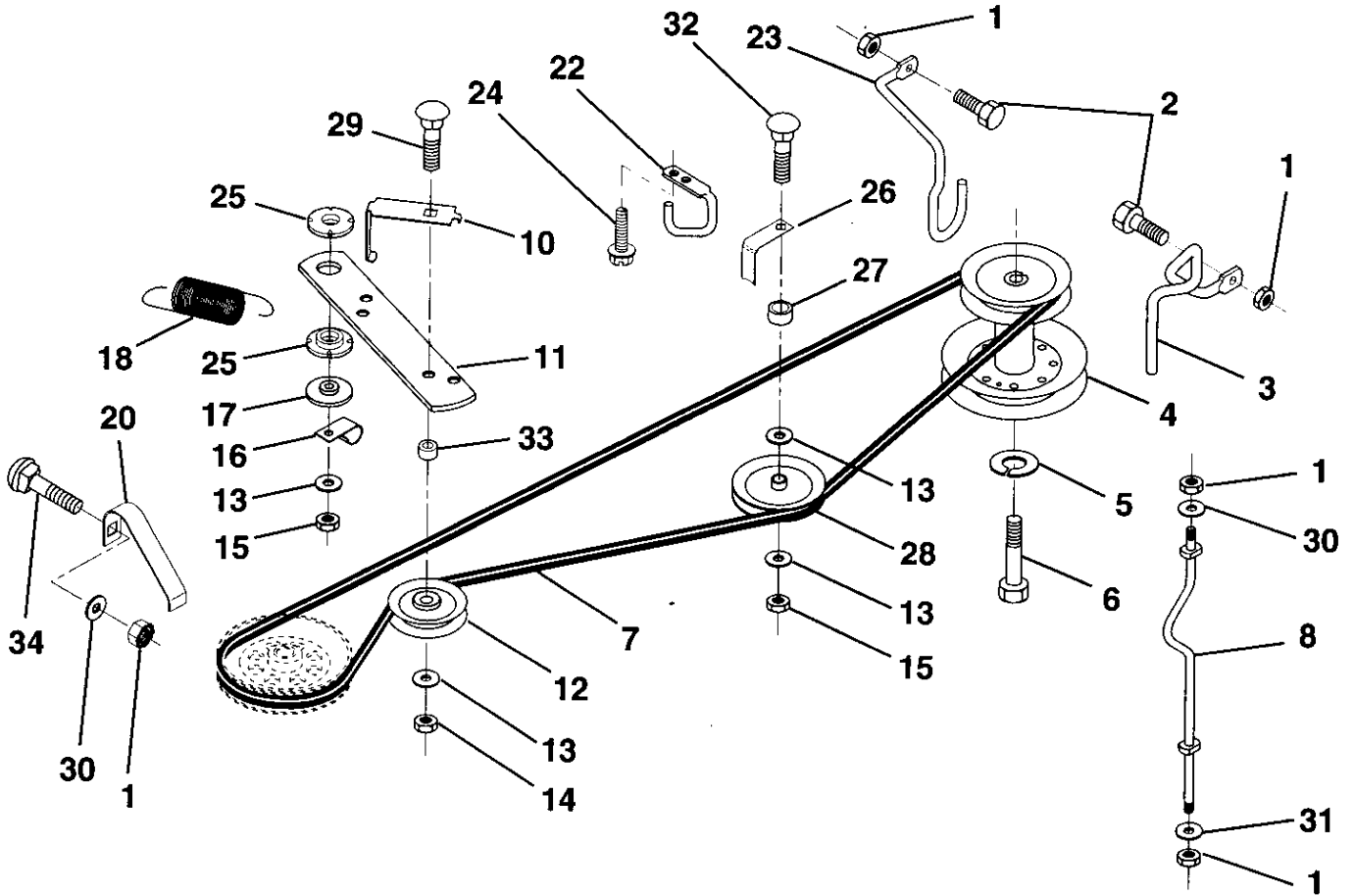


KEY NO.	PART NO.	DESCRIPTION	KEY NO.	PART NO.	DESCRIPTION
1	532 07 16-73	Cap, Plunger	16	819 25 18-16	Washer 25/32 x 1-1/8 x 16 Ga.
2	532 12 34-36	Rod, Parking Brake	17	812 00 00-34	Ring, Klip
3	532 12 34-37	Bracket, Parking Brake	18	532 15 13-32	Spring, Brake Rod
4	532 12 48-72	Cover, Pedal	19	873 35 06-00	Nut Hex, Jam 3/8-16 UNC
5	532 12 25-04	Bracket Clutch/Brake Pedal, L.H.	20	873 80 06-00	Nut Lock Hex W/Ins 3/8-16 UNC
6	876 02 03-12	Pin, Cotter 3/32 x 3/14	21	532 14 44-13	Rod, Rear Brake
7	819 13 10-16	Washer 13/32 x 5/8 x 16 Ga.	22	532 14 45-85	Trunnion, Lift
8	817 49 05-08	Screw, Hex, Thd. Roll. 5/16-18 x 1/2	24	819 13 20-12	Washer 13/32 x 1-1/4 x 12 Ga.
9	876 02 04-12	Pin, Cotter 1/8 x 3/4	25	532 12 49-61	Spring, Retainer
10	819 13 13-16	Washer 13/32x13/16 x 16 Ga.	26	873 93 06-00	Nut, Centerlock 3/8-16 UNC
11	532 12 35-43	Rod, Brake Front	27	532 12 73-69	Link, Threaded
12	532 13 99-33	Assembly, Clutch/Brake Pedal	28	532 14 07-76	Assembly, Rear Mower Lift
13	532 12 33-94	Rod, Clutch	29	872 11 05-06	Bolt, Carriage 5/16-18 UNC x 3/4
14	532 12 19-78	Bracket, Lift, Shaft	30	873 51 05-00	Nut, Keps 5/16-16 UNC
15	532 13 33-32	Assembly, Brake, Pivot, Arm	31	532 12 46-60	Retainer, Spring
			34	873 68 06-00	Nut, Crownlock 3/8-16

HARDWARE SHOWN LARGER FOR EASIER IDENTIFICATION

K

GROUND DRIVE



KEY PART NO. NO.

DESCRIPTION

1	873 80 05-00	Nut, Lock Hx w/Ins 5/16-18
2	874 76 05-12	Bolt, Hex Head 5/16-18 x 3/4
3	532 14 12-27	Keeper, Belt RH Front
4	532 13 80-29	Pulley, Engine
5	810 04 07-00	Washer, Lock 7/16
6	871 17 07-44	Bolt, Hex 7/16-20 Gr. 5
7	531 01 31-32	V-Belt
8	532 14 07-85	Keeper, Belt RH
10	532 14 07-80	Keeper, Belt, Idler Pulley
11	532 15 09-26	Arm, idler
12	532 12 36-74	idler Flat
13	819 13 13-16	washer 1 3/32 x 1 3/16 x 1 6 Gauge
14	873 93 06-00	Nut, Centerlock 3/8-16
15	873 68 06-00	Nut, Crownlock 3/8-16
16	532 12 64-71	Clip Insulator

KEY PART NO. NO.

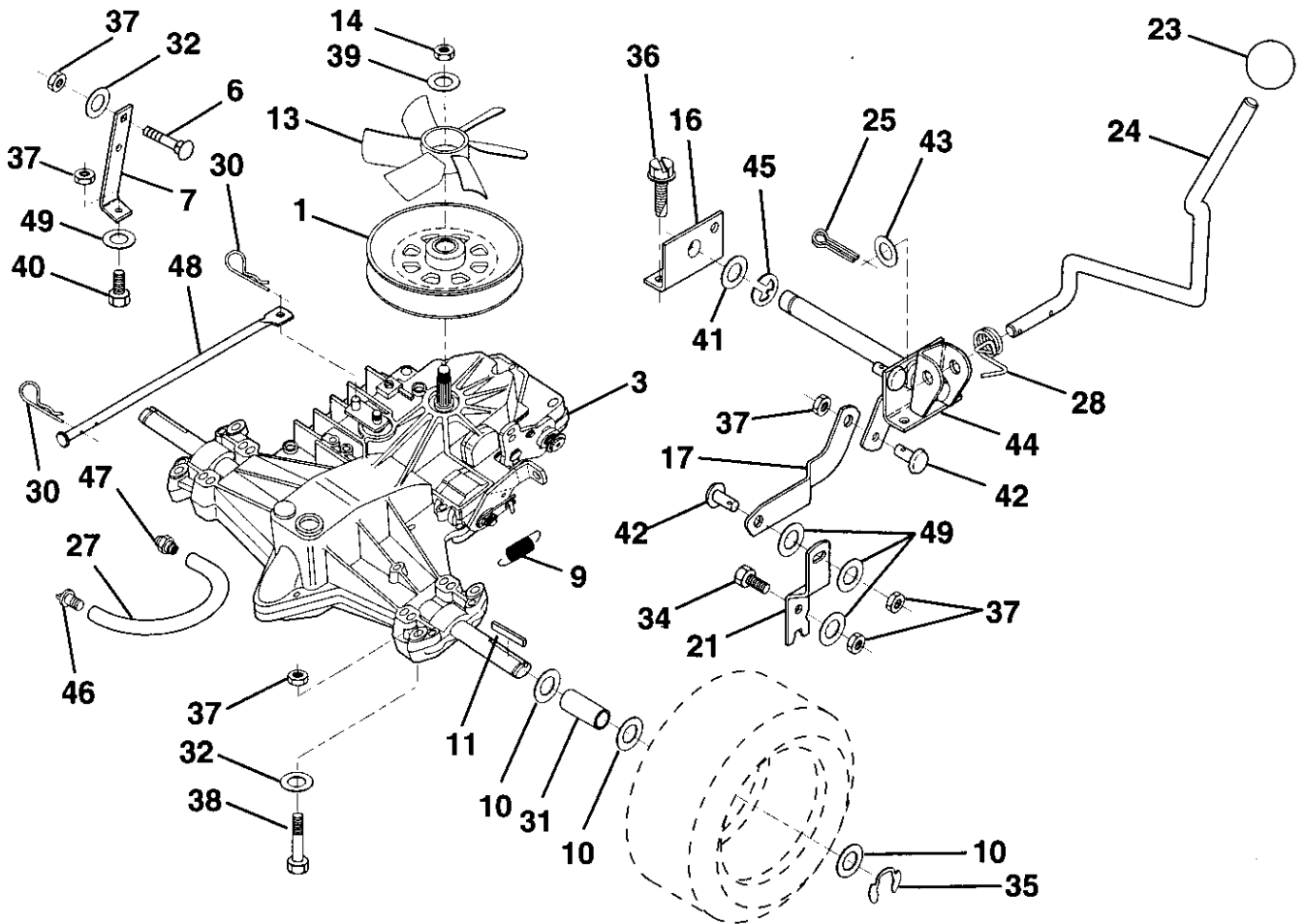
DESCRIPTION

17	532 15 09-32	Spacer, Retainer
18	532 13 14-59	Spring, Extension
20	532 14 09-09	Keeper, Belt LH
22	532 12 34-04	Keeper Frame Ground Drive Belt
23	532 14 09-16	Keeper, Belt LH Front
24	817 72 04-08	Screw, Thd. Cut ¼-20 x ½
25	532 15 09-35	Bushing, Nylon
26	532 14 09-13	Keeper, Belt
27	532 14 09-14	Spacer
28	532 13 91-23	Pulley, V-Idler
29	872 14 06-18	Bolt, Carriage 3/8-16 x 2-1/4
30	819 11 11-16	Washer
31	819 11 12-16	Washer
32	872 14 06-20	Carriage Bolt
33	532 00 01-60	Spacer
34	872 14 05-06	Carriage Bolt

HARDWARE SHOWN LARGER FOR EASIER IDENTIFICATION

L

TRANSAXLE

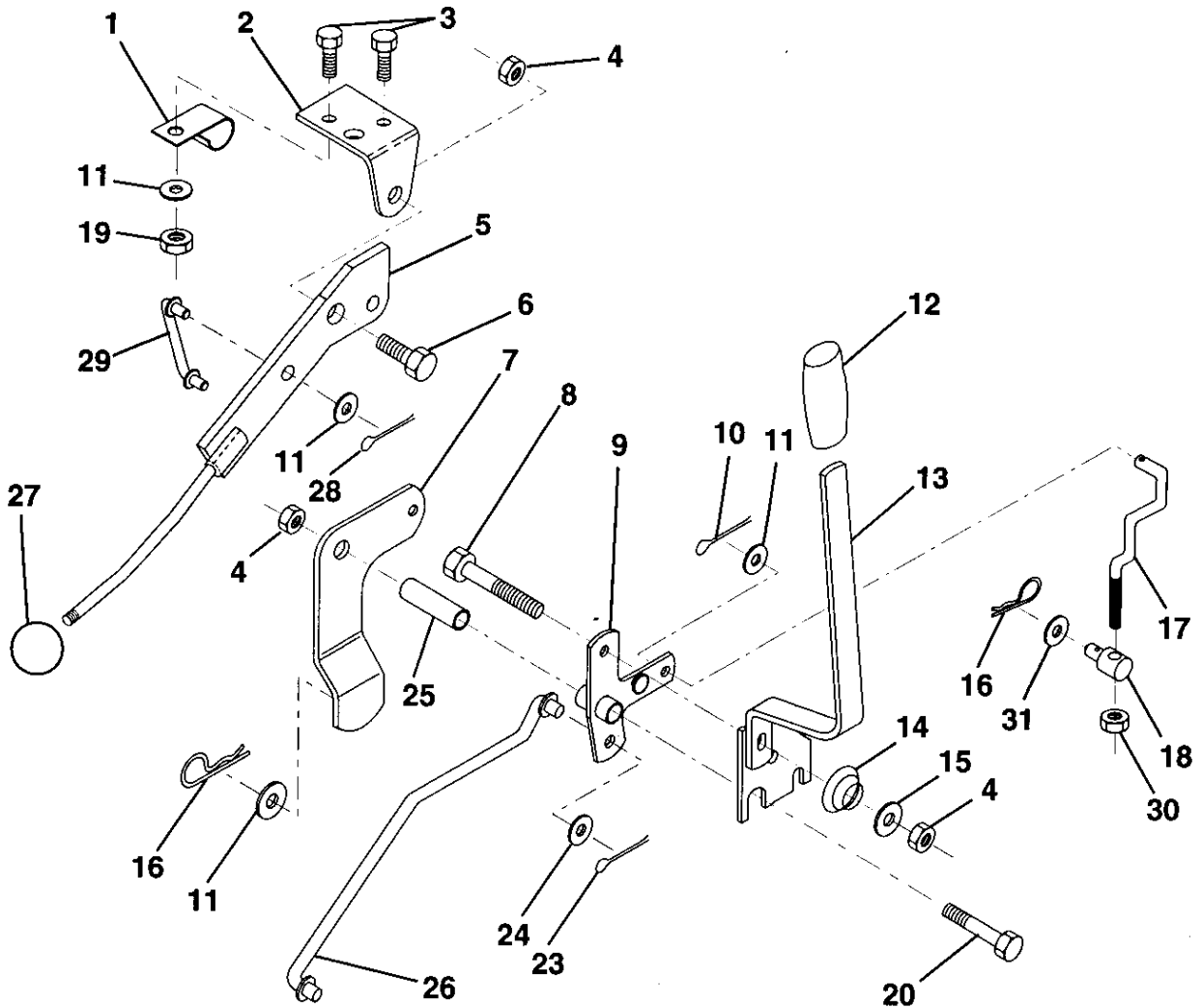


KEY NO.	PART NO.	DESCRIPTION	KEY NO.	PART NO.	DESCRIPTION
1	532 14 07-79	Pulley	31	532 12 11-99	Spacer
3	532 14 06-07	Transaxle	32	819 11 11-16	Washer
6	872 14 05-06	Bolt, Carriage	34	874 76 05-16	Bolt Hex Hd 5/16 - 18 x 1
7	532 14 07-74	Strap, Torque	35	812 00 00-01	E-Ring
9	532 14 66-82	Spring Brake	36	817 72 04-08	Screw, Thd. Cut 1/4-20 x 1/2
10	532 12 17-49	Washer 25/32 x 1-1/4 x 16 Gauge	37	873 80 05-00	Nut
11	532 12 35-83	Key, Square	38	874 49 05-44	Bolt, Hex Flghd 5/16-18
13	532 14 07-78	Fan, Transaxle, Hydro	39	819 17 19-12	Washer
14	532 00 92-04	Nut	40	874 76 05-24	Bolt
16	532 14 07-63	Support, Shift Handle	41	819 21 20-13	Washer
17	532 14 07-67	Link, Shift	42	532 14 07-69	Pivot Pin
21	532 14 07-73	Lever, Shift	43	819 17 12-16	Washer
23	532 14 08-45	Knob, Shifter	44	532 14 07-64	Pivot Shaft Assembly
24	532 14 07-65	Rod, Shifter	45	812 00 00-02	E-Ring
25	876 02 04-16	Pin, Cotter	46	-----	Cap, Vent Hose
27	532 14 25-64	Hose, Vent	47	-----	Nipple, Vent Hose
28	532 14 07-72	Spring, Torsion	48	532 14 09-12	Actuator, Bypass, Hydro
30	532 12 47-88	Retainer Spring	49	819 11 12-16	Washer

HARDWARE SHOWN LARGER FOR EASIER IDENTIFICATION

O

MOWER LIFT LEVER

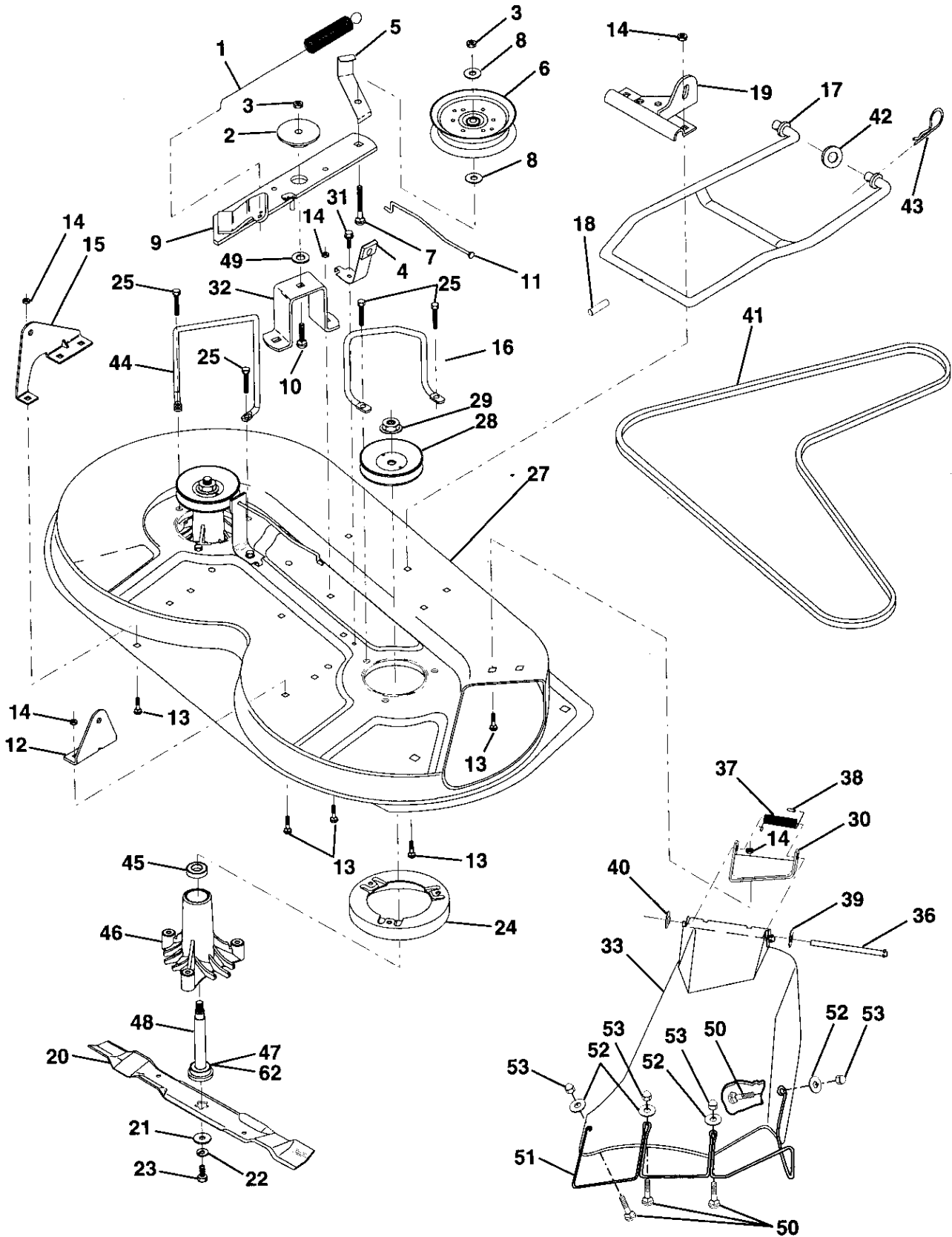


KEY NO.	PART NO.	DESCRIPTION	KEY NO.	PART NO.	DESCRIPTION
1	532 12 64-70	Clip, insulated	17	532 12 73-59	Link, Front Lift
2	532 12 20-18	Bracket, Mower Clutch	18	532 14 20-28	Trunnion, Threaded 3/6-16
3	871 11 04-08	Bolt, Fin. Hex 1/4-20 UNC x 1/2	19	873 68 04-00	Nut, Crownlock 1/4-20
4	873 68 06-00	Nut, Crownlock 3/8-16 UNC	20	874 76 06-44	Bolt, Fin Hex 3/8-16 UNC x 2-3/4
5	532 14 51-87	Assembly, Clutch Lever	23	876 02 04-16	Pin, Cotter 1/8 x 1
6	532 10 64-51	Bolt, Shoulder	24	819 17 16-12	Washer 17/32 x 1 x 12 Ga.
7	532 13 53-71	Assembly, Mower Clutch Arm	25	532 12 19-33	Tube, Spacer
8	874 76 06-36	Bolt, Hex 3/8-16 UNC x 2-1/4	26	532 14 14-70	Rod, Mower Lift
9	532 12 19-30	Assembly, Bellcrank Lift	27	532 12 14-66	Knob
10	876 02 04-12	Pin, Cotter 1/8 x 3/4	28	876 02 03-12	Pin, Cotter 3/32 x 3/4
11	819 13 13-16	Washer 13/32 x 13/16 x 16 Ga.	29	532 13 16-55	Link, Mower Clutch
12	532 12 20-27	Grip, Handle	30	873 35 06-00	Nut Hex Jam 3/8-16 x 1.30
13	532 13 93-52	Assembly, Lift Handle	31	819 13 20-12	Washer 13/32 x 1-1/4 x 12 Ga.
14	532 12 34-96	Spring, Compression			
15	819 13 12-12	Washer 13/32 x 3/4 x 12 Ga			
16	532 12 49-61	Retainer, Spring			

HARDWARE SHOWN LARGER FOR EASIER IDENTIFICATION

M

MOWER DECK



M

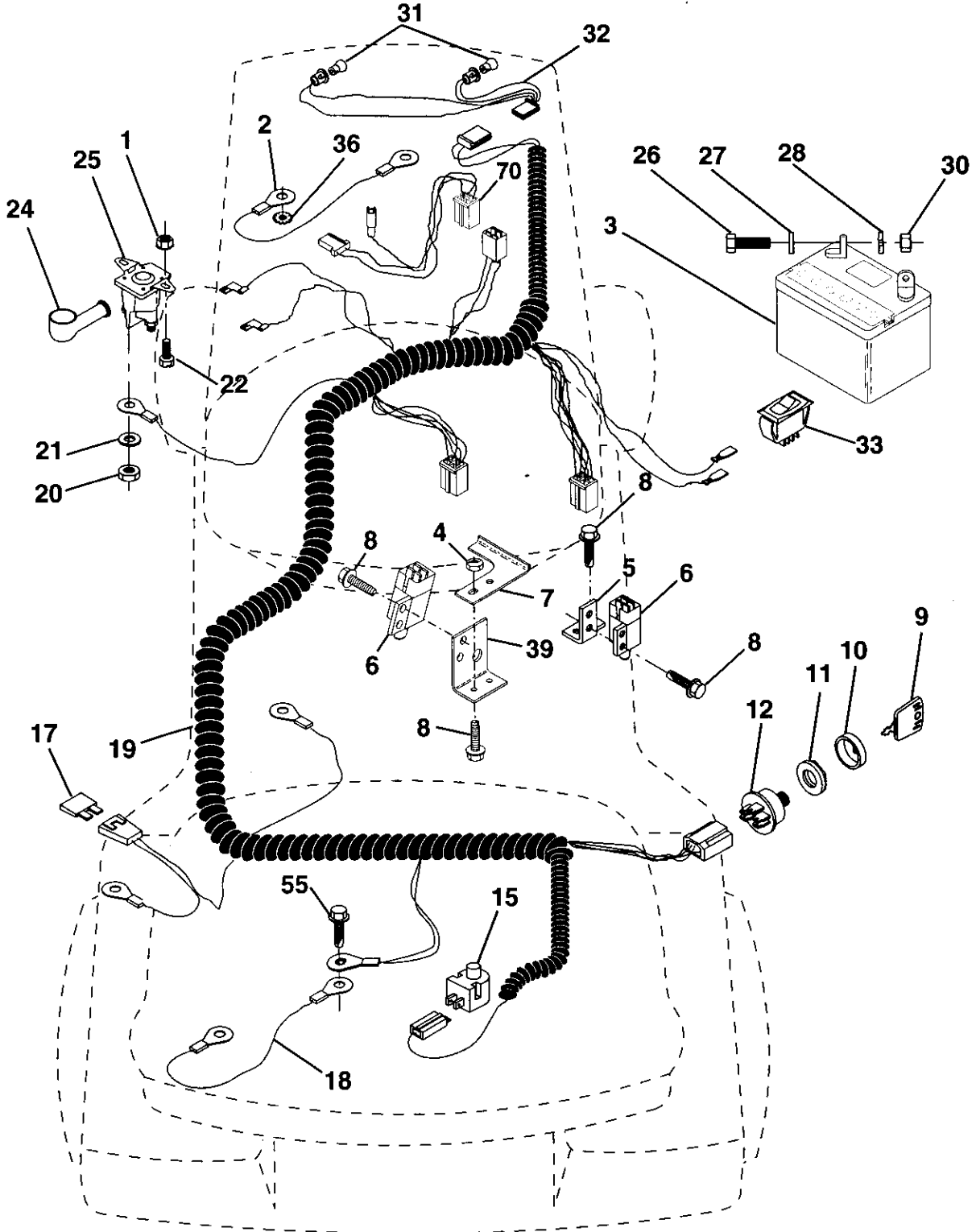
MOWER DECK

KEY PART NO.	PART NO.	DESCRIPTION
1	532 14 00-64	Spring, Mower Clutch
2	532 12 20-52	Spacer, Retainer
3	873 68 06-00	Nut, Crownlock 3/8-16
4	532 13 08-40	Brake Asm
5	532 13 12-51	Guide, Belt Idler
6	532 12 13-16	Pulley, Flat Idler
7	872 11 06-16	Bolt, Carr. 3/8-1 6 x 1 -3/4 Gr 5
8	819 13 14-10	Washer 13/21 x 7/8 x 10 Ga
9	532 12 77-44	Arm Asm., Idler Mower
10	872 14 06-10	Bolt, Carriage 3/6-16 x 1
11	532 13 08-41	Rod, Brake
12	532 12 73-56	Bracket, Lift R. H. Rear
13	872 14 05-06	Bolt, Carriage 5/16-18 x 3/4
14	873 68 05-00	Nut, Crownlock 5/16-18
15	532 12 73-57	Bracket, Lift L. H. Rear
16	532 15 32-98	Keeper, R. H
17	532 12 85-08	Link, Asm. Mower Stabilizer
18	532 12 85-11	Pin, Drive
19	532 12 73-80	Bracket, Asm Front
20	531 01 31-26	Blade, High Performance
21	532 14 02-96	Washer, Hard
22	810 03 06-00	Washer, Lock 3/8
23	532 85 08-57	Bolt 3/8-24 x 1-1/4 Gr. 8
24	532 14 03-29	Stripper
25	532 13 87-76	Screw Thdrol Hex Hd
27	532 12 99-83	Deck Assembly
28	532 15 35-31	Pulley Mandrel
29	532 13 72-66	Nut, Flangelock 9/16
30	532 13 66-31	Bracket, Asm. Deflector
31	817 49 05-08	Screw, Hex Wsh. Thdrol 5/16-18 x 1/2
32	532 12 20-51	Arm, Support Idler Mower
33	532 13 90-63	Deflector
36	532 12 19-80	Rod, Hinge
37	532 12 37-13	Spring, Torsion Deflector
38	532 10 53-04	Cap, Sleeve
39	819 11 10-16	Washer 11/32 x 5/8 x 16 Ga
40	532 11 04-52	Pushnut
41	531 01 31-33	V-Belt
42	819 17 16-16	Washer 11/32 x 5/8 16 Ga.
43	532 12 46-60	Retainer, Spring
44	532 14 06-08	Keeper, L. H.
45	532 11 04-85	Bearing
46	532 12 87-74	Housing Mandrel Vented
47	532 12 98-95	Bearing
48	532 13 76-45	Shaft, Mandrel (Includes Key # 47)
49	532 13 39-43	Washer Hardened
50	871 16 10-10	Screw Truss Hd Phil 10-24 x 5/8
51	532 13 63-83	Guard, Deflector, Mower 36" TUV (W/Form)
52	819 07 07-18	Washer 7/32 x 7/16 x 18 Ga.
53	532 06 08-67	Nut, Acorn Hex #10-24
62	532 15 33-90	Washer, Felt
--	532 13 07-94	Mandrel Asm. (Includes Key No.'s 22-23, 26, 29 and 45-48)
--	532 14 49-73	Deck, Mower Complete (Std.Deck- Order CE certification components separately, Kit No. EC36)

HARDWARE SHOWN LARGER FOR EASIER IDENTIFICATION

P

ELECTRICAL



P

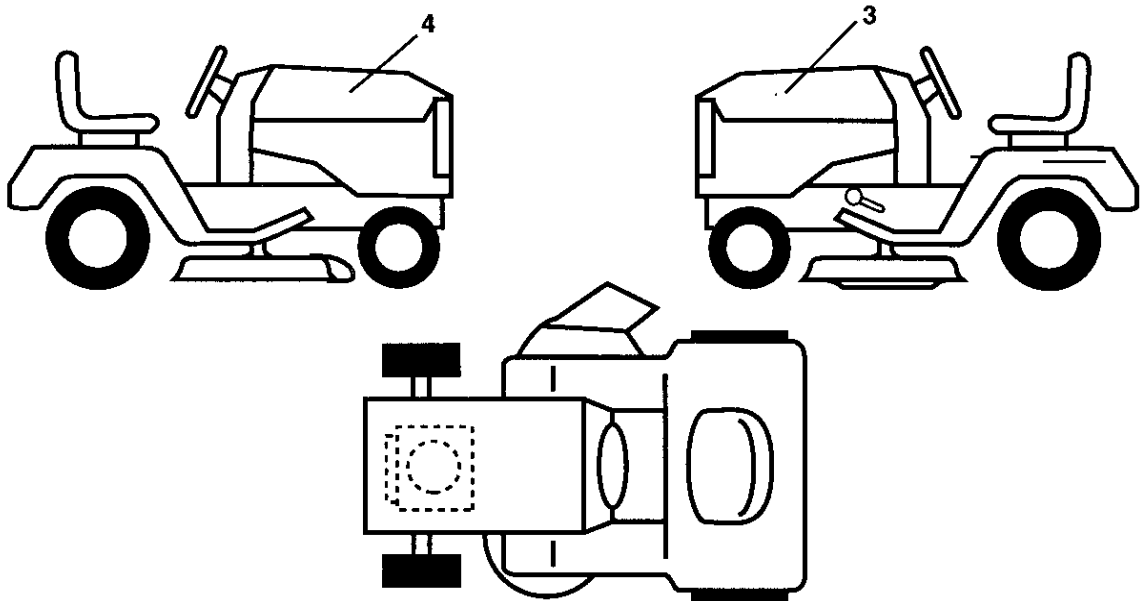
ELECTRICAL

KEY NO.	PART NO.	DESCRIPTION
1	873 64 04-00	Nut, Hex Keps 1/4-20
2	532 10 84-23	Assembly, Cable
3	532 12 38-99	Battery
4	532 06 91-80	Nut, Lock # 10-24 UNC
5	532 10 82-36	Bracket, Switch
6	532 10 95-53	Switch, Interlock (4-terminal)
7	532 14 63-74	Keeper Actuator
8	817 02 10-08	Screw, Hex Hd. Tap #10-24x1/2
9	532 14 04-01	Key, Molded
10	532 14 12-26	Cover, Key Ignition
11	532 14 04-00	Nut, Ignition
12	532 14 49-21	Switch, Ignition
15	532 12 13-05	Switch, Plunger
17	532 10 88-24	Fuse
18	532 12 83-53	Assembly, Cable
19	532 14 60-64	Harness, Ignition
20	873 35 04-00	Nut, Hex Jam 1/4-20
21	810 09 04-00	Washer, Lock 1/4
22	871 11 04-08	Bolt, Fin. Hex 1/4-20 UNC x 1/2
24	532 13 15-63	Cover, Terminal
25	532 14 56-73	Solenoid
26	874 76 04-12	Bolt, Hex Hd. 1/4-20 UNC x 3/4
27	819 09 10-16	Washer 9/32 x 5/8 x 16
28	810 04 04-00	Washer, Lock 1/4
30	873 22 04-00	Nut, Fin. Hex 1/4-20 UNC
31	532 00 41-52	Bulb, Light
32	532 13 68-50	Harness, Headlight
33	532 11 07-12	Switch, Light
36	811 15 04-00	Washer Lock Inter. Tooth 1/4
39	532 14 17-35	Bracket Switch Clutch
55	817 49 05-08	Screw Thdrol 5/16-18 x 1/2
70	532 14 04-13	Harness Engine

HARDWARE SHOWN LARGER FOR EASIER IDENTIFICATION

R

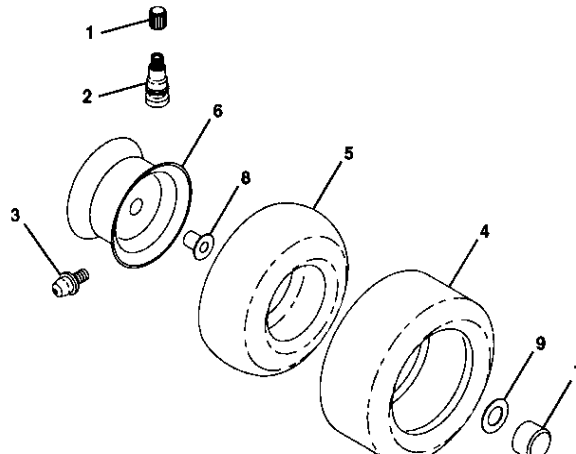
DECALS



KEY NO.	PART NO.	DESCRIPTION
3	532152242	Decal, Hood, L. H.
4	532152241	Decal, Hood, R. H.

R

WHEELS & TIRES



KEY NO.	PART NO.	DESCRIPTION
1	532 05 91-92	Cap, Valve
2	532 06 51-39	Stem, Valve
3	532 12 49-57	Fitting, Grease\ (Front Wheels Only)
4	532 13 74-22	Tire, Front
4	532 13 27-03	Tire, Rear
5	532 05 99-04	Tube, Front (Optional Service Items Only)
5	532 00 81-34	Tube, Rear (Optional Service Items Only)
6	532 14 20-39	Rim, Front
6	532 14 16-52	Rim, Rear
7	532 10 47-57	Cap Axle
8	532 12 49-59	Bearing Flange
9	532 12 17-48	Washer 25/32 x 1-5/8 x 16 Ga.