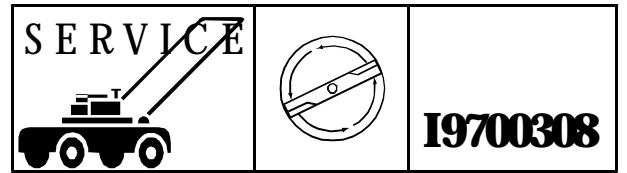


**Jonsered**



IPL, LTH15 42", 1997.04.15-01, 108 07 06-09

# LTH15 42"

**Spare parts**

**Ersatzteile**

**Pièces détachées**

**Reserve onderdelen**

**Repuestos**

**Reservdelar**

**Product No: 9541300-04**



# P

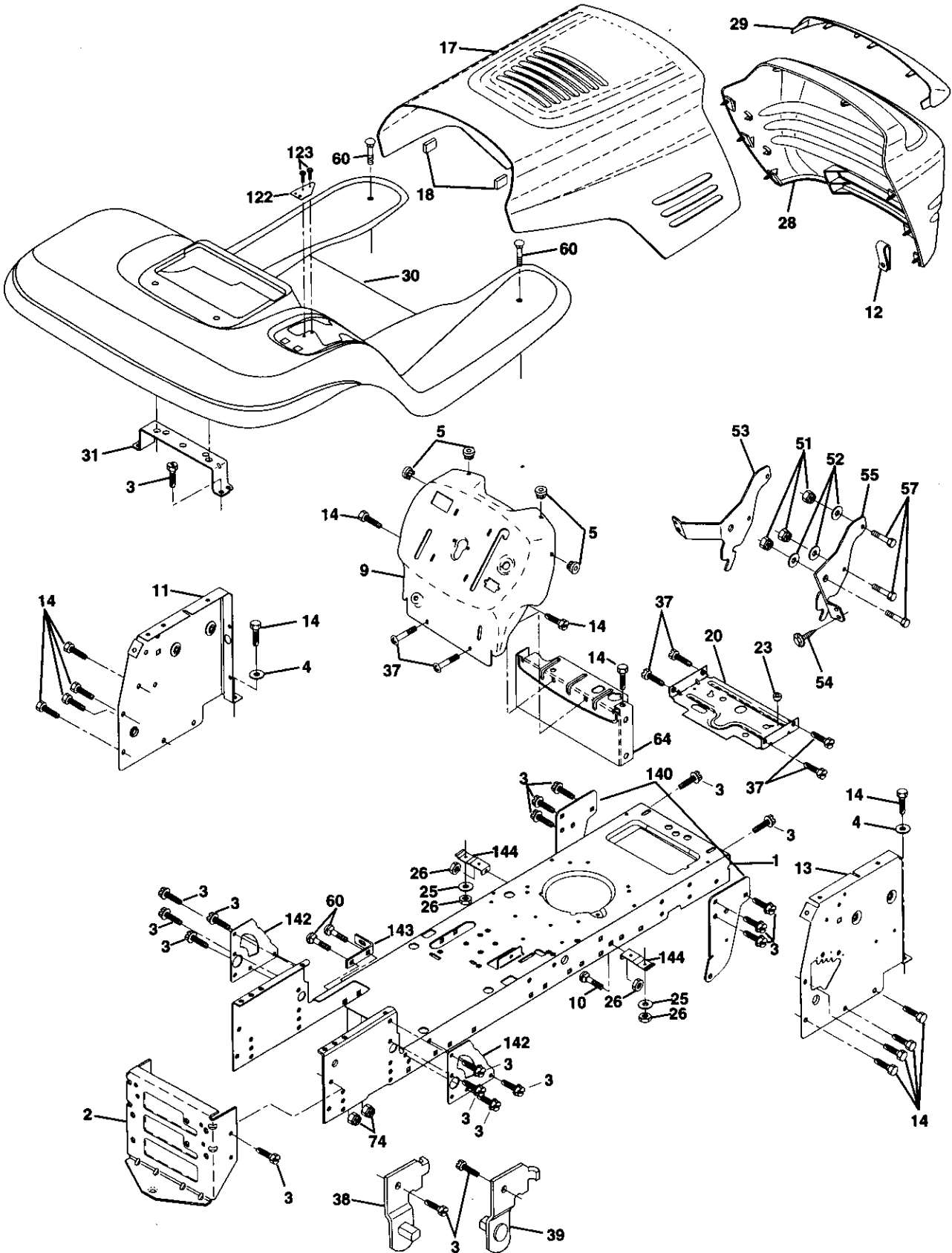
## ELECTRICAL

KEY NO.	PART NO.	DESCRIPTION
1	532 12 38-99	Battery 12 VOLT 25 AMP
2	874 76 04-12	Bolt Hex Hd 1/4-20unc X 3/4
3	819 09 10-16	Washer 9/32 X 5/8 X 16 Ga
4	810 04 04-00	Washer Lock Hvy Helical 1/4
6	873 22 04-00	Nut Fin Hex 1/4-20 Unc
7	532 10 92-38	Tube Plastic 12"
8	532 15 64-17	Case Battery Mech. Hinge
9	532 10 95-96	Clamp Hose Olive
16	532 15 36-64	Switch interlock Push-In
19	810 09 04-00	Washer Lock 1/4
20	873 35 04-00	Nut Jam Hex 1/4-20 Unc
21	532 14 74-30	HarnessAsmLightW/4152J
22	532 00 41-52	Bulb Light #1156
24	532 12 47-80	Cable Battery 6 Ga 11 "red
25	532 14 61-47	Cable Battery 6 Ga W/16 Ga Wire 44"
26	532 10 88-24	Fuse 30 AMP Auto Green
28	532 12 47-73	Cable Ground 6 Ga 12 black
29	532 12 13-05	Switch Plunger Nc Gray
30	532 14 03-01	Switch ignition 4 Pos
31	532 12 42-11	Nut ignition
32	532 14 12-26	Cover Sw Key Blk 1 25 Text SLT
33	532 12 21-47	Key Ign Molded Generic
40	532 15 64-43	Harness Ign.
41	871 11 04-08	Bolt Hex Hd. Fin 1/4-20 x 1/2 Gr. 5
42	532 13 15-63	Cover Terminal Red
43	532 14 56-73	Solenoid
44	873 64 04-00	Nut Keps Hex 1/4-20 Unc
45	532 12 14-33	Rectangular Camp Ammeter
50	532 15 49-59	Switch PTO 3 PDT Black
52	532 14 19-40	Protection Wire Loop
70	532 14 04-22	Harness Engine 14 OHV Dual
80	532 14 66-85	Harness Clutch Evx

**NOTE:** All component dimensions given in U.S. inches  
1 inch = 25.4 mm.

# A

## ENCLOSURES



# A

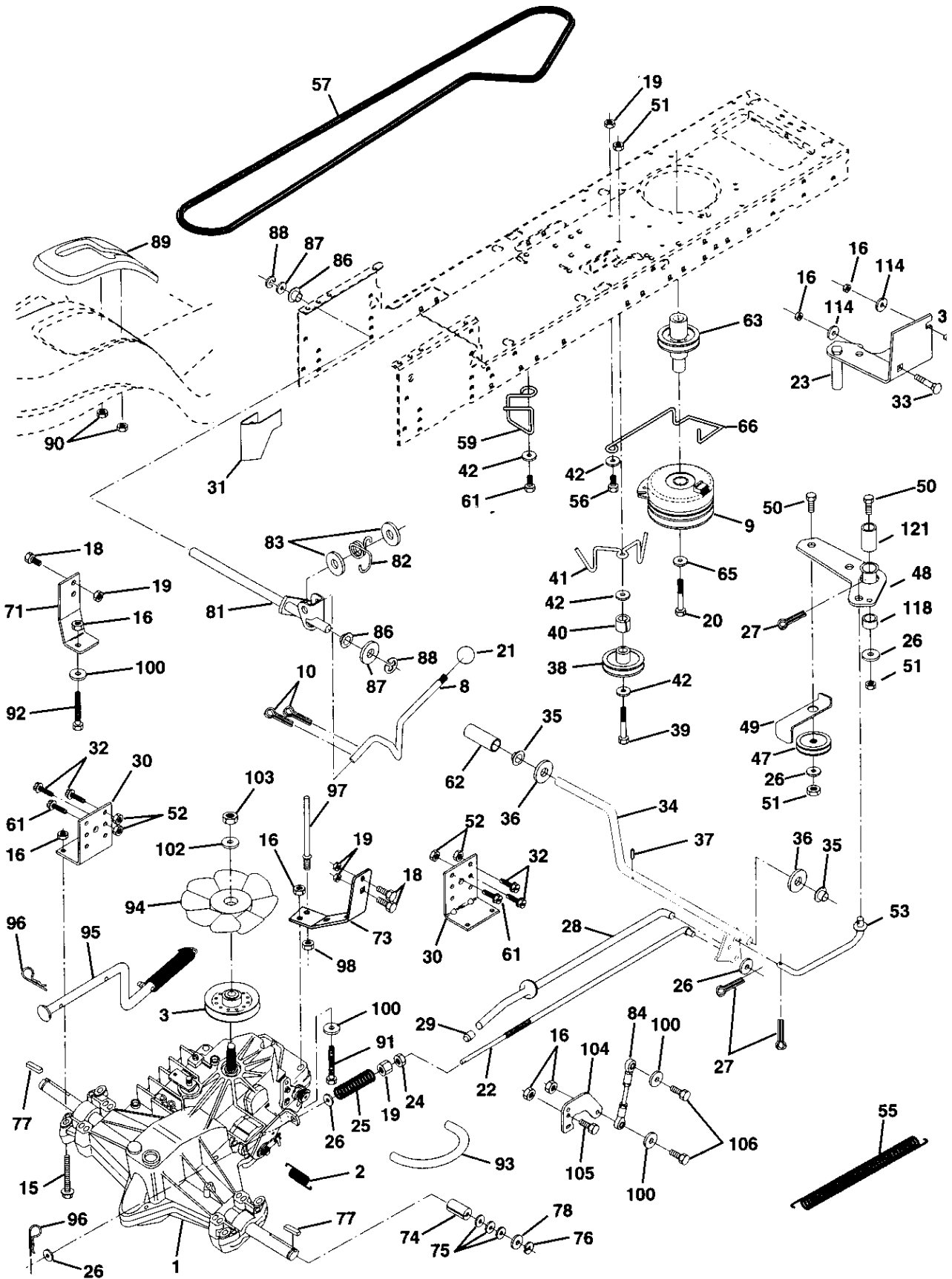
## ENCLOSURES

KEY NO.	PART NO.	DESCRIPTION
1	532 15 38-71	Chassis Wldmt. 11 Ga.
2	532 14 03-56	Drawbar Stretch 94
3	817 49 06-12	Screw Thdrol. 3/8-1 6 x 3/4 Ty-Tt
4	819 13 12-16	Washer 13/32 x 3/4 x 1 6 Ga.
5	532 15 52-72	Bumper Hood/Dash
9	532 15 67-92	Dash Private Label
10	872 14 06-08	Bolt RdHd Sqnk. 3/8-16 x 1
11	532 14 69-56	Panel Asm. Dash Lh
12	532 14 56-60	Clip Tinnerman Grille P/L
13	532 14 69-62	Panel Dash Rh
14	817 49 06-08	Screw Thdrol. 3/8-16x1/2Ty-Tt
17	532 15 07-60	Hood Pnt w/Side Louvers
20	532 15 64-37	Plate Mtg Battery/Fuel Tank 95
23	532 12 40-28	Bushing Snap Nyl. Blk Fuel Line
25	819 13 13-12	Washer 13/32x13/16x12Ga.
26	873 80 06-00	Nut Lock Hex w/lus 3/8-16 Unc
28	532 15 06-71	Grill w/Clips
29	532 14 51-99	Lens Grille
30	532 15 67-93	Fender/Ftrest Pnt STL
31	532 13 99-76	Bracket Fender
37	817 49 05-08	Screw Thdrol 5/16-18 x 1/2
38	532 13 98-86	Bracket Asm. Pvt. Lh Mwr. Rear
39	532 13 98-87	Bracket Asm. Pvt. Rh Mwr. Rear
51	873 80 04-00	Nut Lock Hex W/Ins. 1/4-20
52	819 09 14-16	Washer 9/32 x 7/8 x 16 Ga.
53	532 14 52-01	Bracket Grille Pickoff LH
54	817 03 08-14	Screw Lock Spider #8 x 7/8
55	532 14 52-02	Bracket Grille Pickoff RH
s7	874 78 04-12	Bolt Fin Hex 1/4-20 x 3/4
60	872 14 06-06	Bolt Rdhd Sqnk 3/8-16 UNC x 3/4
64	532 15 47-98	Dash Lower STLT
74	873 68 06-00	Nut, Crownlock 3/8-16 UNC
122	532 15 73-01	Bracket Shift
123	532 15 29-27	Screw
1 40	532 15 05-56	Bracket, Chassis Front
142	532 15 60-95	Plate Reinforcement STLT
1 43	532 15 49-66	Brace Axle
144	532 15 42-07	Bracket Footrest STLT
--	532 00 54-79	Plug Button Blk.359 Dia. Choke

**NOTE:** All component dimensions given in U. S. inches  
1 inch = 25.4 mm

L

DRIVE



# L

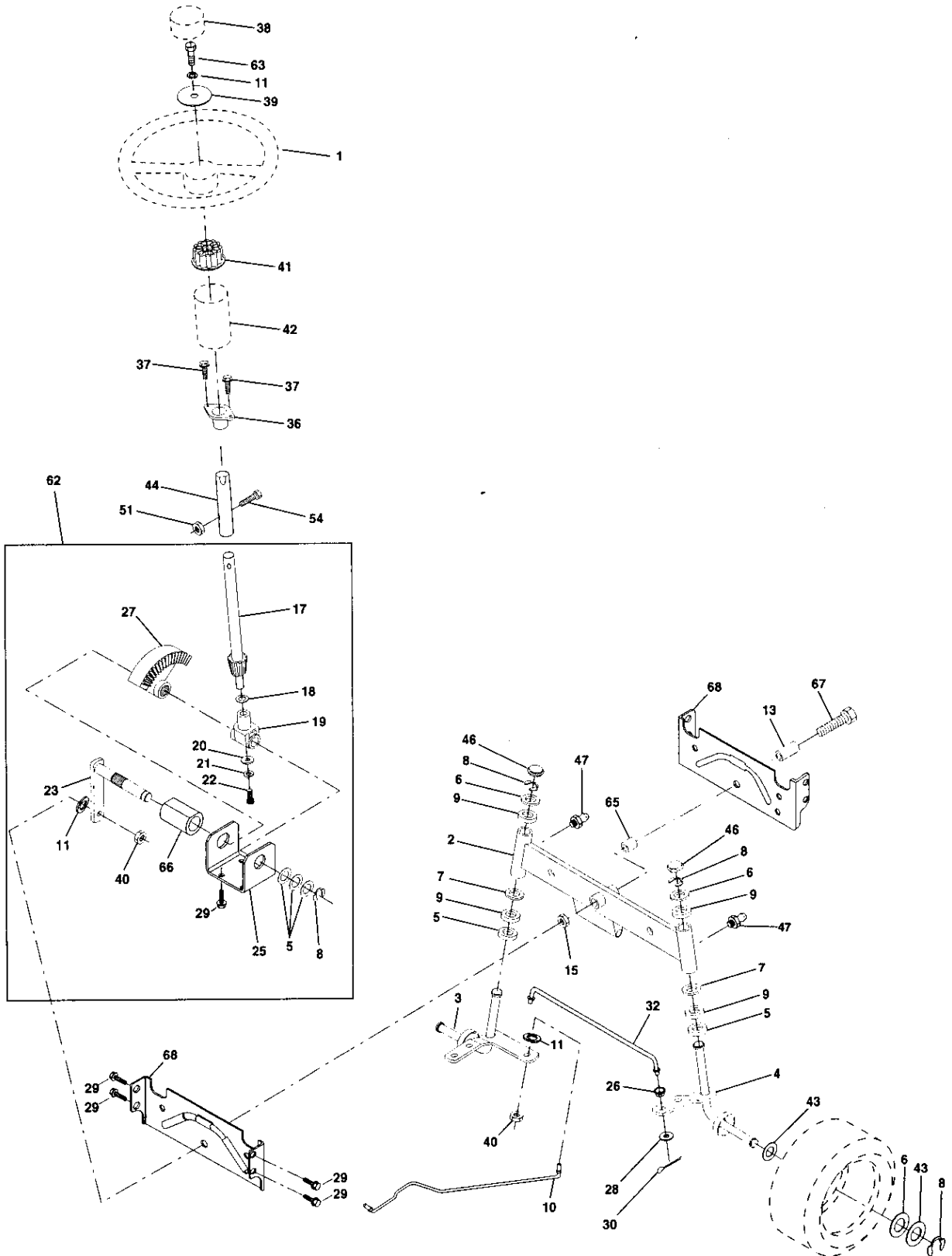
## DRIVE

KEY NO.	PART NO.	DESCRIPTION	KEY NO.	PART NO.	DESCRIPTION
1	532 15 00-71	Transaxle Assembly	57	<del>531 01 31 41</del> 531 01 31-40	V-Belt, Ground Drive
2	532 14 24-31	Spring, Return, Brake	59	532 14 03-12	Keeper,Center Span
3	532 14 39-95	Pulley, Transaxle	60	532 15 47-76	Keeper Belt Engine LH
8	532 15 47-92	Rod Shift Fender	61	817 49 06-12	ScrewThdrol.3/8-16x3/4TYTT
9	532 14 50-28	Clutch Electric	62	532 12 48-72	Cover, Pedal
10	876 02 04-16	Pin Cotter 1/8 x 1 CAD	63	532 14 58-68	Pulley, Engine
15	874 49 05-44	Bolt Hex Flghd 5/16-18 Gr. 5	65	810 04 07-00	Washer
16	873 80 05-00	NutLockHexW/Ins. 5/16-18 Unc P	68	532 15 50-00	Keeper Belt Engine RH
18	874 78 06-16	BoltFin Hex 3/8-16Uncx1 Gr5	73	532 15 63-47	Strap Torque Rh Hydro
19	873 80 06-00	Nut Lock Hex W/Wsh 3/8-16 Unc	71	532 14 01-58	StrapTonqueLhHydro18/20" T
20	532 15 02-80	Bolt, Hex 7/16-20 x 4-1/4	74	532 12 11-99	Spacer, Split
21	532 14 08-45	Knob Deluxe	75	532 12 17-49	Washer 25/32x1-1/4x16Ga.
22	532 14 56-27	Rod, Brake Hydro	76	812 00 00-01	E-Ring
23	532 15 49-78	Bracket AsmMtgCLEvx	77	532 12 35-83	Key, Square
24	873 35 06-00	Locknut	78	532 12 17-48	Washer 25/32x1-5/8x16Ga.
25	532 10 68-88	Spring, Brake Rod	81	532 15 60-46	Shaft Asm. Cross Hydro 6 50
26	819 13 13-16	Washer	82	532 12 37-82	Spring Torsion T/A
27	876 02 04-12	Pin Cotter 1/8 x 3/4 CAD.	83	819 17 12-16	Washer 17/32x3/4x16Ga.
28	532 14 52-04	Rod, Parking Brake	84	532 14 05-48	Rod, Tie Hydro 20" Tires
29	532 12 42-36	Cap,Parking Brake	86	532 07 12-08	Bushing Rod Strig. 629/632 ID
30	532 13 08-07	Bracket, Transaxle	87	819 21 20-16	Washer 21/32 x 1-1/4 x 16 Ga.
31	532 12 72-75	Keeper Belt Lh	88	812 00 00-08	Ring Klip #5304-62
32	874 76 05-12	Bolt Hex Hd 5/16-18 Unc x 3/4	89	532 15 48-82	Console, Shift
33	872 14 05-06	Bolt Carriage 5/16-18 UNC x 3/4	90	532 12 43-46	Nut, Self Thd Wsh Hd 1/4 Zinc
34	532 15 50-71	Shaft, Foot Pedal	91	874 78 05-36	Bolt Fin Hex 5/16-18 x 2-1/4
35	532 12 01-83	Bearing, Nylon	92	874 78 05-24	Bolt Fin Hex 5/16-18 Unc x 1-1/2
36	819 21 16-16	Washer	93	532 14 25-64	Line Fuel Hydro 4"
37	532 12 49-63	Pin, Roll	94	532 14 04-62	Fan, Hydro 7"
38	532 12 36-74	Pulley, idler, Flat	95	532 14 46-43	Control Asm. Bypass Hydro
39	874 76 06-44	Bolt	96	532 12 47-88	Retainer Spring1"Zinc7Cad
40	532 12 49-65	Spacer Split	97	532 14 04-69	Keeper Belt Rh Hydro 0750.18/ 20"
41	532 15 47-77	Keeper, Belt idler Fool-Proof	98	873 51 06-00	Nut Keps Hex 3/8-16Unc
42	819 13 13-12	Washer 13/32x13/16x12 Gauge	100	819 11 12-16	Washer 11/32x3/4x16Ga.
47	532 12 77-83	Pulley, idler, V-Groove	102	532 14 13-22	Washer Belleville .501Dx 1.50D
48	532 15 46-04	Bellcrank Assembly Clutch	103	873 94 08-00	Nut Hex Jam Toplock 1/2-20 Unf
49	532 12 32-05	Retainer,Belt	104	532 14 01-56	Arm, Control Hydro
50	874 76 06-24	Bolt	1 05	871 07 05-16	Screw Cap Hex 5/16 x 1 8 x 1
51	873 68 06-00	Nut	106	874 78 05-20	Bolt Fin Hex 5/16-18Uncx 1-1/4
52	873 68 05-00	NutCrownLock 5/16-18	114	819 11 12-14	Washer11/32x3/4x14Ga.
s3	532 10 57-10	Link,Clutch	118	532 15 47-74	Spacer Bellcrank
55	532 10 57-09	Spring, Return, Clutch	121	532 15 44-19	Nyliner Clutching STL
56	874 76 06-20	Bolt			

**NOTE:** All component dimensions given in U.S. inches  
1 inch=254 mm

# H

## STEERING ASSEMBLY





# H

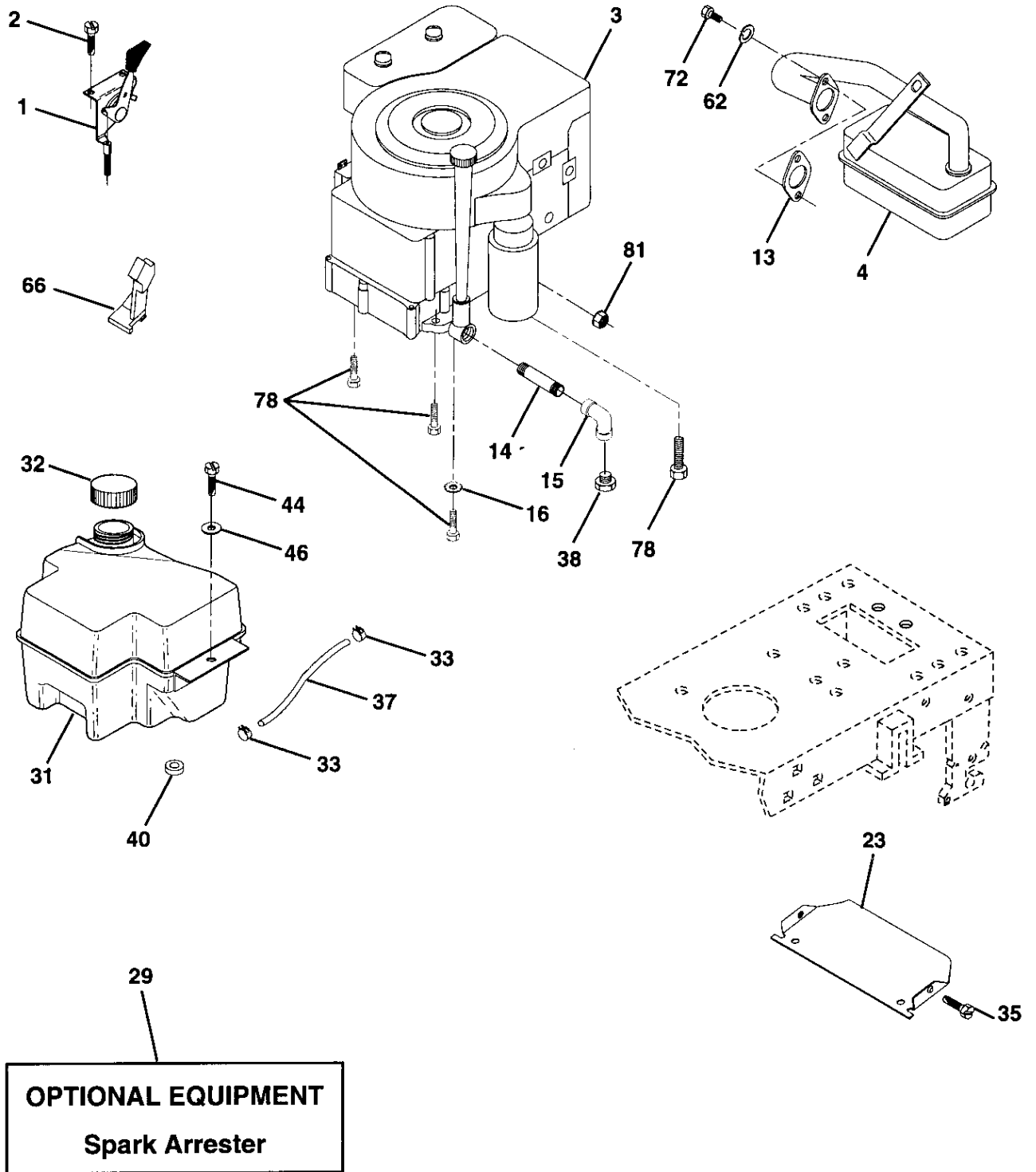
## STEERING ASSEMBLY

KEY NO.	PART NO.	DESCRIPTION
1	532 14 00-44	Wheel Steering
2	532 15 44-27	Axle Asm Stamp Dropped STL
3	532 15 44-22	Spindle Asm Stmp LH
4	532 15 44-23	Spindle Asm Stmp RH
5	532 12 49-31	Bearing Race Thrust Harden
6	532 12 17-48	Washer 25/32 X 1-5/8 X 1 6 Ga
7	819 27 20-16	Washer 27/32 X 1-1/4 X 16 Ga
8	812 00 00-29	Ring Klip #t5304-75
9	532 12 49-37	Bearing Col Strg Blk
10	532 15 64-38	Link Drag Extended Stamped
11	810 04 06-00	Washer Loc kHvy Hlcl Spr 3/8
13	532 15 47-79	Bearing Axle STLT
15	873 90 10-00	Nut Lock Flange 5/8-11 Unc
17	532 15 65-46	Shaft Asm Strg Private Label
18	532 05 70-79	Washer Thrust 515x 750x 033
19	532 12 40-35	Support Shaft
20	532 12 66-84	Washer Shim 1/4 X 5/8 X 062
21	810 04 04-00	Washer Loc kHvy Helical 1/4
22	871 10 04-10	Screw Cap Sckt Hd Phos & Oil
23	532 12 75-01	Shaft Asm Pittman
25	532 15 44-06	Bracket Steering
26	532 12 68-47	Bushing Link Drag Blk LR
27	532 13 68-74	Gear Sector 22 Teeth
28	819 13 14-16	Washer 13/32 X 7/8 X 16 Ga
29	817 49 06-12	Screw Thdrol 3/8-16x3/4 Ty-tt
30	876 02 04-12	Pin Cotter 1/8 X 3/4 Cad
32	532 13 04-65	Rod Tie Wire Form 1975 Mech
36	532 15 50-99	Bushing Strg
37	532 15 29-27	Screw TT #32.5 x 5 x 3/8 Flange
38	532 14 00-45	Cap Wheel Steer
39	819 13 38-08	Washer 13/32 x 2-3/8 x 8 Ga.
40	532 12 47-01	Nut Lock Center 3/8-24 Unf
41	532 10 07-11	Adaptor Wheel Strg
42	532 14 50-54	Boot Dash Steering
43	532 12 17-49	Washer 25/32 X 1 1/4 X 16 Ga
44	532 15 37-20	Extension Steering Non-adjust
46	532 12 12-32	Cap Spindle Fr Top Blk
47	532 12 48-36	Fitting Grease
51	873 80 05-00	Nut Lock Hex W/Ins 5/16-18 UNC
54	874 78 05-20	Bolt Fin Hex 5/16-18 UNC x 1-1/4
62	532 15 65-94	Steering Assembly
63	874 78 06-16	Bolt Fin Hex 3/8-16 UNC x 1 Gr. 5
65	532 14 57-80	Spacer
66	532 15 44-04	Bearing Arm Pittman
67	874 78 10-44	Bolt Fin Hex 5/8-11 UNC x 2-3/4
68	532 15 44-29	Brace, Axle

**NOTE:** All component dimensions given in U.S. inc =  
1 inch = 25.4 mm.

# F

## ENGINE



# F

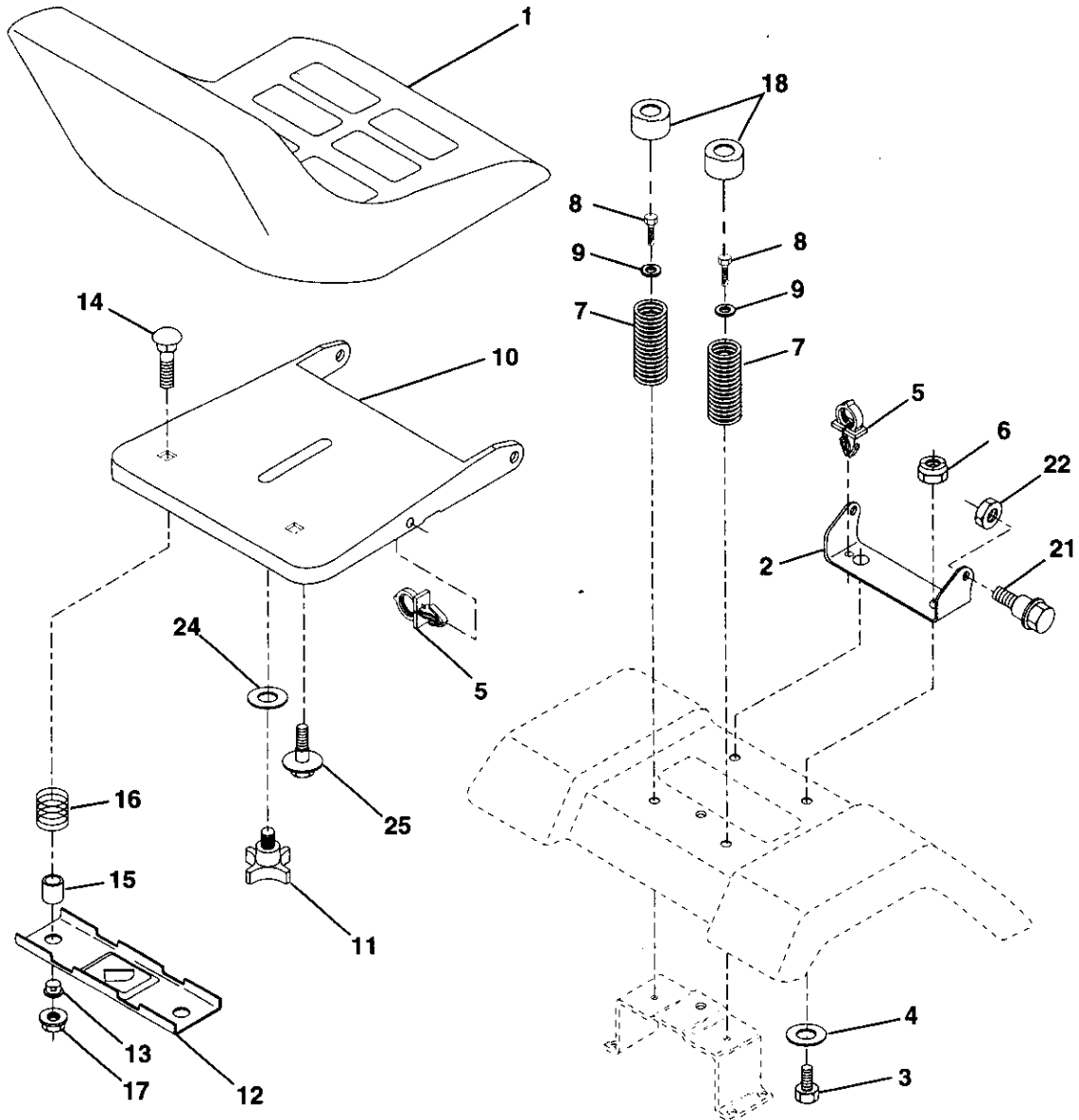
## ENGINE

KEY NO.	PART NO.	DESCRIPTION
1	532 14 13-59	Control Th/ch LH Blk
2	817 72 04-10	Screw Hex Thd Cut 1/4-20x5/8 T
3	-----	Engine Briggs
4	532 13 73-52	Muffler LT B&S 14HP Ic/ohv
13	532 27 22-93	Gasket Eng 1 313 Id Tin Plated
14	813 28 03-24	Nipple Pipe 3/8 Npt X 3"
15	813 20 03-00	Elbow Std 90 Degree 3/8-18 Npt
16	811 05 06-00	Washer Lock Ext Tooth 3/8
23	532 15 61-23	Shield Browning
29	532 13 71-80	Kit Spark Arrestor
31	532 14 02-80	Tank Fuel Front 2 00
32	532 14 05-27	Cap Asm Fuel Top Vented N/Lang
33	532 12 34-87	Clamp Hose Black
35	817 49 05-12	Screw Thdrol 5/16-18 x 3/4
37	532 13 70-40	Line Fuel 20" Front Fuel Tank
38	-----	Plug Oil Drain (Order From Engine Manufacturer)
40	532 12 40-28	Bushing Snap Nyl Blk Fuel Line
44	817 49 04-12	Screw Hex Wash Thdrol 1/4-20x3/4
46	819 09 14-16	Washer 9/32 x 7/8 x 16 Ga.
62	810 04 05-00	Washer Loc kHvy Hlcl Spr 5/16
66	532 12 79-51	Stop Throttle
72	871 07 05-12	Screw Hexhd Cap 5/16-18x3/4
78	817 49 06-20	Screw Thdrol 3/8- 16x1-1 /4 TYTT
81	532 12 88-61	Nut Flange 1/4-20 Starter Nut

**NOTE:** All component dimensions given in U.S. inches  
1 inch = 25.4 mm

# C

## SEAT ASSEMBLY



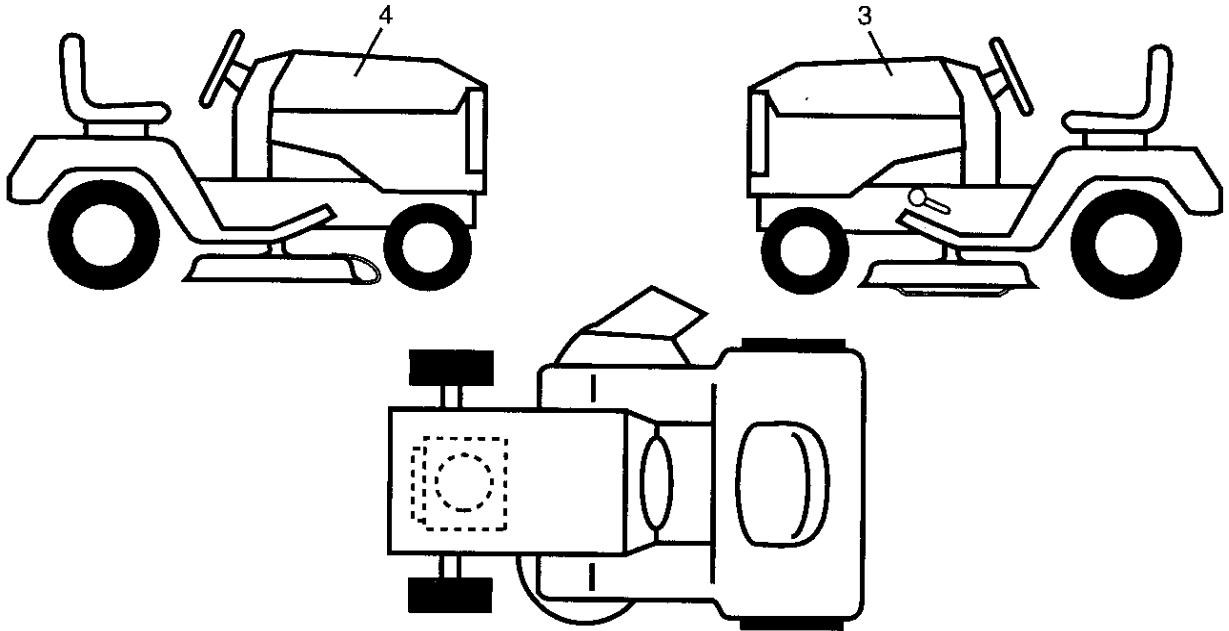
KEY NO.	PART NO.	DESCRIPTION
1	532 12 74-40	Seat V560 Blk/blk Std
2	532 14 05-51	Bracket Pivot Seat 8 720
3	874 76 06-16	Bolt Hex 3/8-16unc x 1
4	819 13 16-10	Washer 13/32 X 1 X 10 Ga
5	532 14 50-06	Clip Push-In Hinged
6	873 80 06-00	Nut Lock Hex w/Ins. 3/8-16 Unc
7	532 12 41-81	Spring Seat Cprsn 2 250 Blk Zi
8	817 49 06-16	Scerw Thdrol 3/8 16 X 1 Ty-tt
9	819 13 16-14	Washer 13/32 X 1 X 14 Ga
10	532 14 05-52	Pan Seat
11	532 12 00-68	Knob Seat 1/2-13 UNC
12	532 12 12-46	Bracket Mounting Switch

KEY NO.	PART NO.	DESCRIPTION
13	532 12 12-48	Bushing Snap Blk Nyl 50 Id
14	872 05 04-11	Bolt Rdhd Sht Nk 1/4-20x1-3/8
15	532 12 12-49	Spacer Split 28x 88 Zinc
16	532 12 37-40	Spring Cprsn 1 310 Blk Pnt
17	532 12 39-76	Nut Lock 1/4 Lge Flg Gr 5 Zinc
18	532 12 42-38	Cap Spring Seat
21	532 15 32-36	Bolt Shoulder 5/16-18 Unc-2A
22	873 68 05-00	Nut Crown Lock 5/1 6-18
24	819 17 19-12	Washer 17/32 X 1-3/16 X 12 Ga
25	532 12 70-18	Bolt Shoulder 5/1 6-18 X 62

**NOTE:** All component dimensions given in U.S. inches  
1 inch = 25.4 mm.

# R

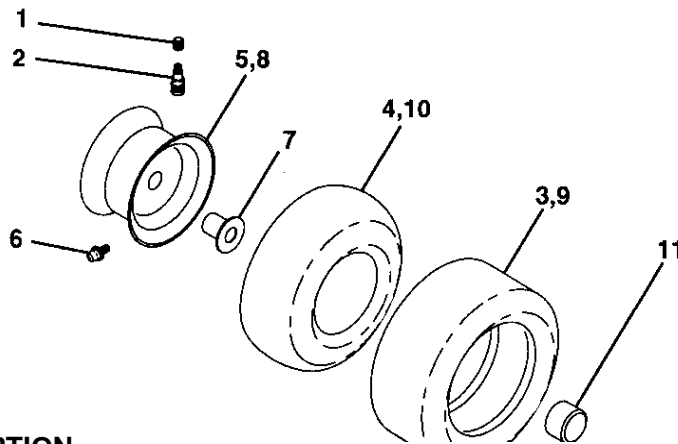
## DECALS



KEY NO.	PART NO.	DESCRIPTION
3	532 15 22-46	Decal, Hood, L. H.
4	532 15 22-45	Decal, Hood, R.H.

# R

## WHEELS & TIRES

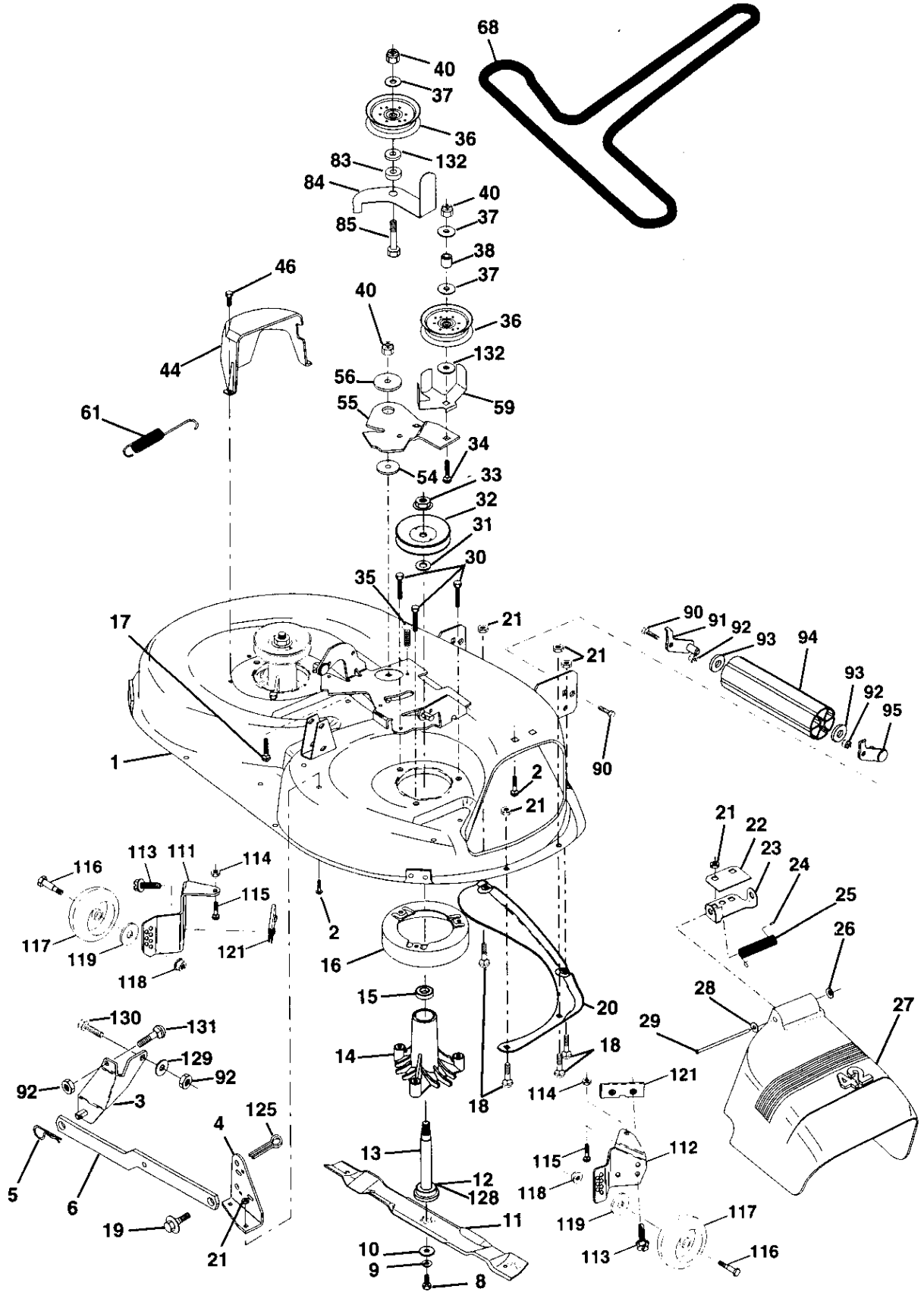


KEY NO.	PART NO.	DESCRIPTION
1	532 05 91-92	Cap Valve Tire
2	532 06 51-39	Stem Valve
3	532 10 62-22	Tire F Ts 15 X 6 0 - 6 Service
4	532 05 99-04	Tube Front (Service Item Only)
5	532 13 83-36	Rim Asm 6"front Silver Service
6	532 12 49-57	Fitting Grease (Front Wheel Only)
7	532 12 49-59	Bearing Flange (Front Wheel Only)
8	532 13 83-37	Rim Asm 8"rear Silver Service
9	532 12 20-82	Tire R Ts 20x10-8 C Service
10	532 12 49-26	Tube Rear (Service Item Only)
11	532 10 47-57	Cap Axle Blk 1 50 X 1 00

**NOTE:** All component dimensions given in U.S. inches  
1 inch = 25.4 mm

# M

## MOWER DECK



# M

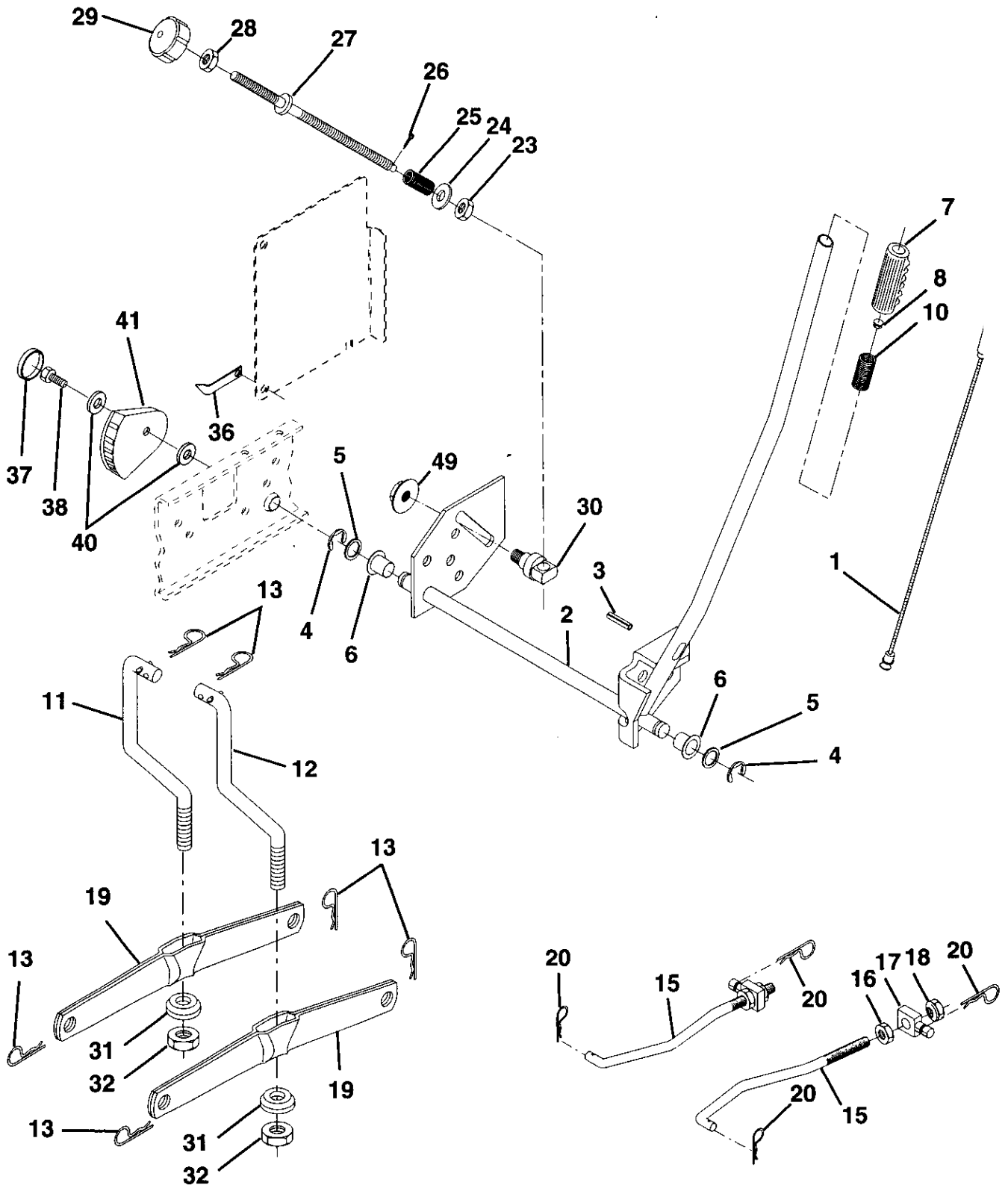
## MOWER DECK

KEY NO.	PART NO.	DESCRIPTION	KEY NO.	PART NO.	DESCRIPTION
1	532 14 43-93	Housing Asm Mower42"94 T-Path	54	532 13 39-43	Washer Hardened
2	872 14 05-06	Bolt Rdhd Sqnk 5/16-18uncX3/4	55	532 14 00-84	Arm Idler 42"mower LT/YT
3	532 13 80-17	Bracket Asm Fr Sway Bar 38/42	56	532 12 20-52	Spacer Retainer Pm Mower
4	532 13 84-40	Bracket Asm Deck 42"sway Bar	59	532 14 10-43	Guard, Belt
s	532 12 46-70	Retainer Spring	61	532 13 19-50	Spring Ext. Elect
6	532 13 08-32	Arm Suspension Rear	68	531 01 31-40	V-Belt Mower
8	532 85 08-57	Bolt 3/8-24x1 2s Gr8 Patched	83	532 12 09-58	Washer Sintered
9	810 03 06-00	Washer Lock Hvy 3/8 Unplated	84	532 14 43-94	Keeper Belt Idler Fixed
10	532 14 02-96	Washer Hard Blade Mower Vented	85	872 14 06-18	Bolt Carriage 3/8-16 x 2-1/4
11	531 01 31-34	Blade Mower High Lift"	90	874 76 06-16	Bolt Fin Hex3/8-16unc X1
12	532 12 98-95	Bearing Ball #6204 (Mandrel)	91	532 13 22-74	Bracket Asm Noseroller LH
13	532 13 76-45	Shaft Asm W/lower Bearing	92	873 80 06-00	Nut Lock Hex w/ins. 3/8-1 6 UNC
14	532 12 87-74	Housing Mandrel Vented (machd)	93	819 17 14-16	Washer 17/32 X 7/8 X 16 Ga
15	532 11 04-85	Bearing Ball Mandrel	94	532 13 22-64	Roller Nose 38 & 42
16	532 14 03-29	Stripper Round Mower	95	532 13 22-73	Bracket Asm Noseroller RH
17	872 11 06-18	Bolt Rdhd Sqnk 3/8-16X2-1/4	111	532 15 51-97	Bracket Gauge Wheel Lh
18	872 14 05-05	Bolt Carr 5/1 6- 1 8 X 5/8	112	532 15 51-98	Bracket Gauge Wheel Rh
19	532 13 28-27	Bolt Shoulder	113	817 49 05-12	ScrewThdrol 5/16-18x3/4
20	532 13 68-88	Baffle Vortex 42	114	873 51 05-00	Nut Keps 5/16- 18 UNC
21	873 68 80-00	Nut Crown Lock 5/16-18	115	872 11 05-04	Bolt Carriage 5/16-18unc x 1/2
22	532 13 47-53	Stiffener Bracket42"deck	116	532 14 68-51	Bolt Shoulder
23	532 13 12-67	Bracket Deflector Mower 42"	117	532 14 68-50	Wheel Gauge Medium
24	532 10 53-04	Cap Sleeve 80x 112 Blk Mower	118	873 93 06-00	Nut Centerlock 3/8-16 UNC
25	532 12 37-13	Spring TorsionDeflector 252	119	819 12 14-14	Washer 3/8x7/8x14Ga.
26	532 11 04-52	Nut Push Phos & Oil	121	532 14 37-23	Bracket Extruded Gauge Wheel
27	532 13 09-68	Shield Deflector	125	876 02 08-16	Cotter Pin
28	819 11 10-16	Washer 11/32 X 5/8 X 16 Ga	128	532 15 33-90	Washer Felt
29	532 13 14-91	Rod Hinge 42"6 75 Wig	129	819 13 13-12	Washer 13/32 x 1 3/16 x 12 Ga.
30	532 13 87-76	Screw Thdrol Hex Hd Zinc Mwr.	130	874 78 06-16	Bolt Fin Hex 3/8-1 6 UNC x 1 Gr. 5
31	532 12 99-63	Washer Spacer Mower Vented	131	872 14 06-08	Bolt Rdhd Sqnk 3/8-16UNCx1
32	532 15 35-35	Pulley Mandrel	--	532 14 50-24	Deck Serv 42" Elec Vent (Standard
33	532 13 72-66	Nut 9/1 Stop Lock Fling Cntr			Deck - Order Nose Roller, Gauge
34	872 11 06-22	Bolt RDHD 3/8-1 6 UNC x 2-3/4 Gr.5			Wheel and Mulcher Plate
35	532 13 38-35	Fastner Christmas Tree			components separately Key Nos.
36	532 13 14-94	Pulley Idler Flat 3 060			90-95, 101-106 and 111-121)
37	819 13 13-16	Washer 13/32 X 13/16 X 16 Ga	--	532 13 07-94	Mandrel Assembly (Includes Key
38	532 13 28-23	Spacer Spring Stop Idler			Numbers 8-10, 12-15, 31 and 33)
40	873 68 06-00	Nut Lock 3/8-16 Unc			
44	532 14 00-88	Guard Mandrel LH Black			
46	532 14 37-29	Screw Thdro 1/4-20x5/8			

**NOTE:** All component dimensions in ven in U,S. inches  
1 inch = 25.4 mm

# O

## MOWER LIFT





# O

## MOWER LIFT

KEY NO.	PART NO.	DESCRIPTION
1	532 13 69-73	Wire Asm Inner W/plunger 17 32
2	532 14 51-17	Shaft Asm Lift
3	532 10 57-67	Pin Groove
4	812 00 00-02	E Ring #5133-62
5	819 21 16-21	Washer 21/32 X 1 X 21 Ga.
6	532 12 01-83	Bearing Nylon Blk 629 id
7	532 10 94-13	Grip Handle Bicycle Matte Blk
8	532 12 45-26	Button Plunger Black
10	532 12 25-12	Spring Cprsn 3 750 Oiled
11	532 13 98-65	Link Lift LH Mower
12	532 13 98-66	Link Lift RH Mower
13	532 12 46-70	Retainer Spring
15	532 12 72-18	Link Front
16	873 35 08-00	Nut Jam Hex 1/2-1 3 Unc
17	532 13 01-71	Trunnion BlkZinc
18	873 80 08-00	Nut Lock W/wsh 1/2-13unc
19	532 13 98-68	Arm Suspension Rear
20	532 12 46-60	Retainer Spring
23	532 11 08-07	Nut Special
24	819 13 10-16	Washer 13/32 x 5/8 x 16 Ga.
25	532 12 48-74	Spring 2-1/8"
26	876 02 03-08	Pin cotter 3/32 x 1/2
27	532 12 69-71	Rod Adj Lift
28	873 35 06-00	Nut Hex Jam 3/8-1 6 UNC
29	532 13 80-57	Knob Inf 3/8-16 UNC
30	532 15 02-33	Trunnion Inf. Height
31	873 54 06-00	Nut Crownlock 3/8-24
32	532 14 03-02	Bearing Put Lift Spherical
36	532 15 50-97	Pointer Height Ind
37	532 12 39-35	Plug Hole
38	817 49 05-12	Screw Thdrol 5/16-18 x 3/4
40	819 11 24-10	Washer 11/32 x 1-1/2 x 10Ga.
41	532 15 50-98	Ind Height STLT
49	532 14 52-12	Nut, Hex Flange Lock

**NOTE:** All component dimensions given in U.S. inches  
1 inch = 25.4 mm