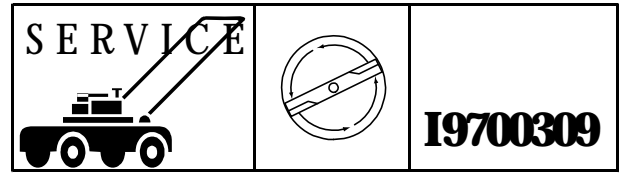


Jonsered



IPL, LR11 36", 1997-04-22, 108 07 05-75

LR11 36"

Spare parts

Ersatzteile

Pièces détachées

Reserve onderdelen

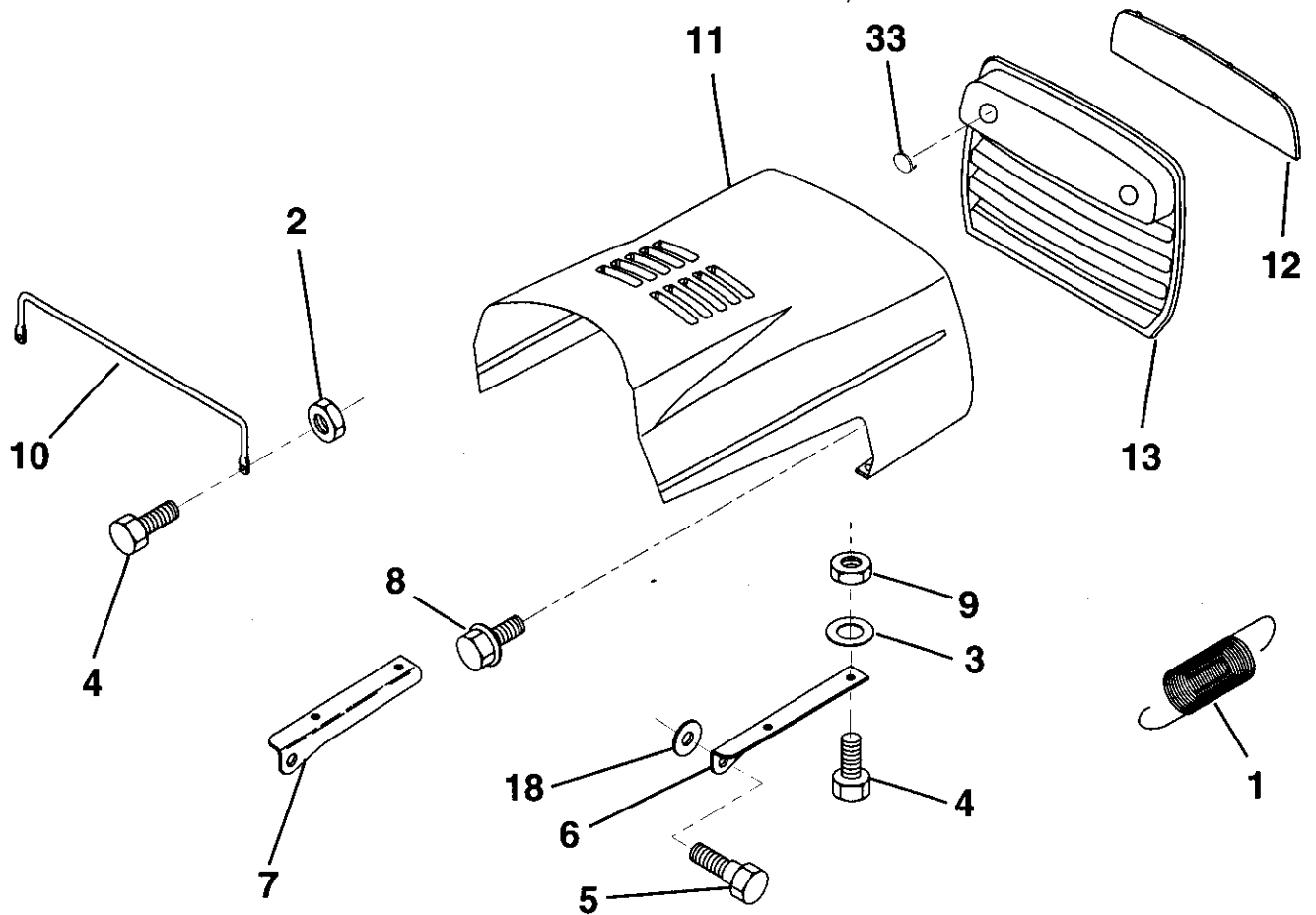
Repuestos

Reservdelar

Product No: 9541300-02

A

HOOD

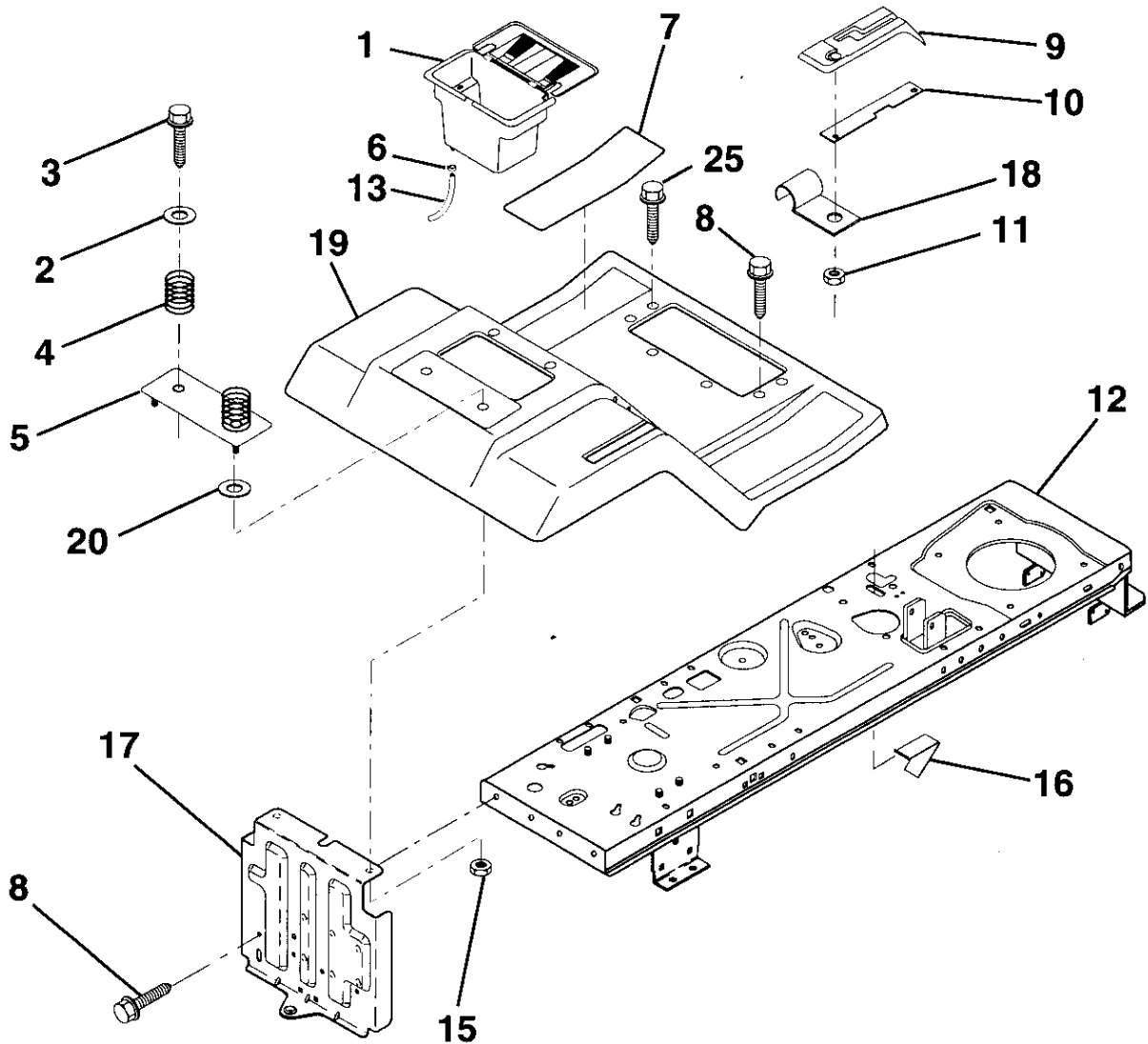


KEY NO.	PART NO.	DESCRIPTION
1	532 12 46-57	Extension, Spring
2	873 64 04-00	Nut, Hex, Keps 1/4-20
3	819 09 14-16	Washer, 9/32 x 7/8 x 16 Ga.
4	874 78 04-12	Bolt, Hex Fin 1/4-20 x 3/4 Gr. 5
5	532 13 98-88	Bolt, Shoulder
6	532 12 25-49	Bracket, Hood R.H.
7	532 12 25-48	Bracket, Hood L.H.
8	817 52 13-12	Screw Slt'd. Hex Hd W/PL Washer

KEY NO.	PART NO.	DESCRIPTION
9	873 80 04-00	Nut Lock W/Insert 1/4-20 UNC
10	532 12 36-93	Brace, Hood
11	532 12 54-29	Hood
12	532 12 20-35	Lens Clear Bar
13	532 12 70-29	Grille
18	819 11 11-16	Washer 11/32 x 11/16 x 16 Ga.
20	532 13 13-19	Plug, Socket Light

B

FENDER / CHASSIS

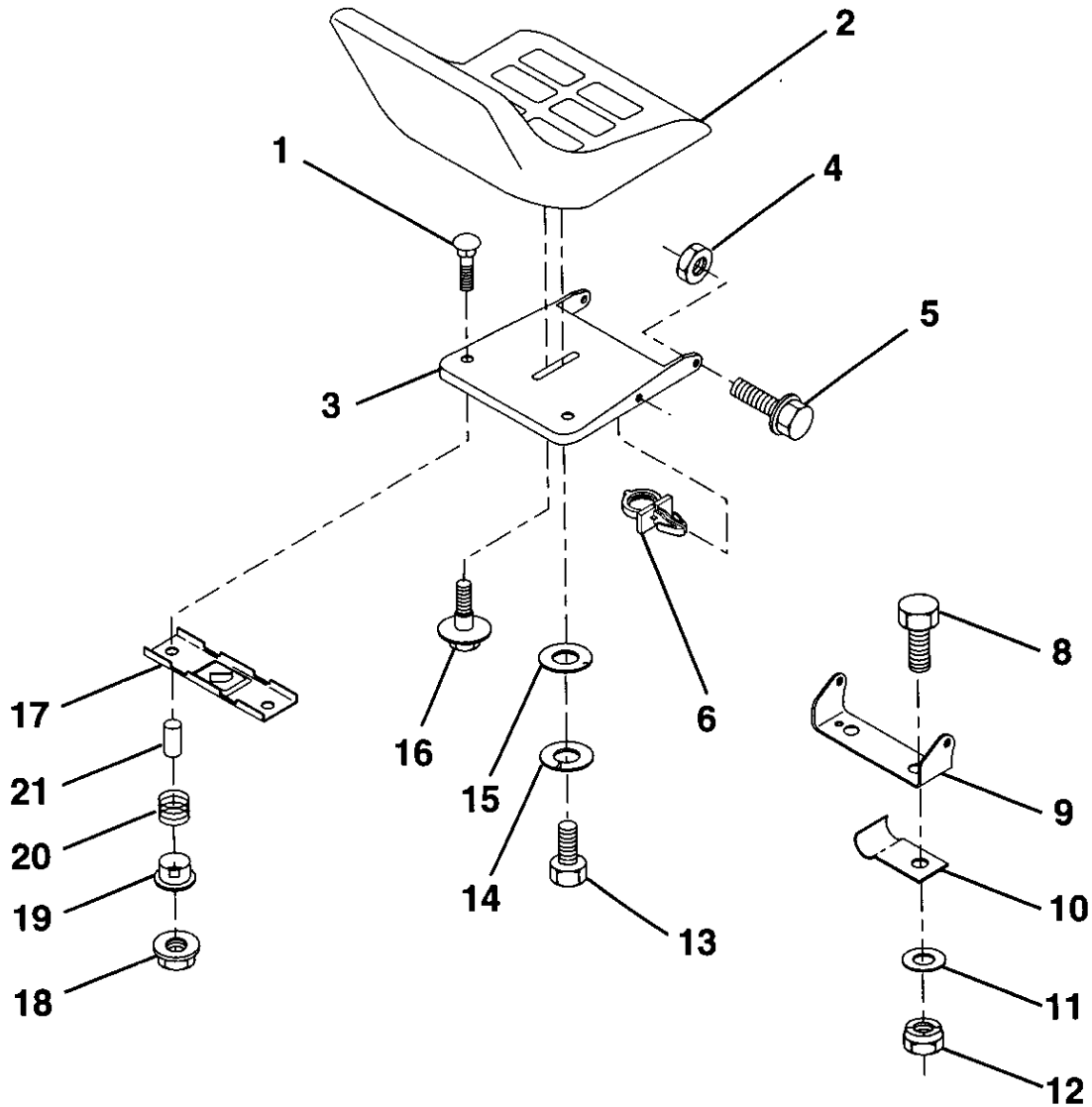


KEY NO.	PART NO.	DESCRIPTION	KEY NO.	PART NO.	DESCRIPTION
1	532 15 64-17	Case, Battery	11	532 12 43-46	Nut, Self-Threading, Wsher Hd 3/16
2	819 13 20-12	Washer 13/32 x 1-1/4 x 12 Ga.	12	532 14 51-90	Assembly, Frame
3	817 49 06-12	Screw, Hex Wsh. Thrdrol 3/8-16 x 3/4	13	532 10 92-38	Tube, Battery Drain
4	532 12 41-81	Spring, Compression, Seat	15	873 64 04-00	Nut, Keps 1/4-20 UNC
5	532 12 54-31	Plate, Asm. Battery	16	532 14 17-36	Switch Actuator
6	532 10 95-96	Clamp, Hose	17	532 14 07-82	Drawbar
7	532 12 41-44	Pad, Footrest	18	532 12 64-70	Clip, Insulated
8	817 49 05-12	Screw Thdrol 5/16-18 x 3/4	19	532 14 16-50	Fender/Footrest
9	532 12 69-96	Console, Shift Control	20	819 09 14-13	Washer 9/32 x 7/8 x 13 Ga.
10	532 13 97-83	Bar Shift Lock	25	817 19 05-16	Scr-Hx Wsh Thd Rol 5/16-18 x 1

HARDWARE SHOWN LARGER FOR EASIER IDENTIFICATION

C

SEAT



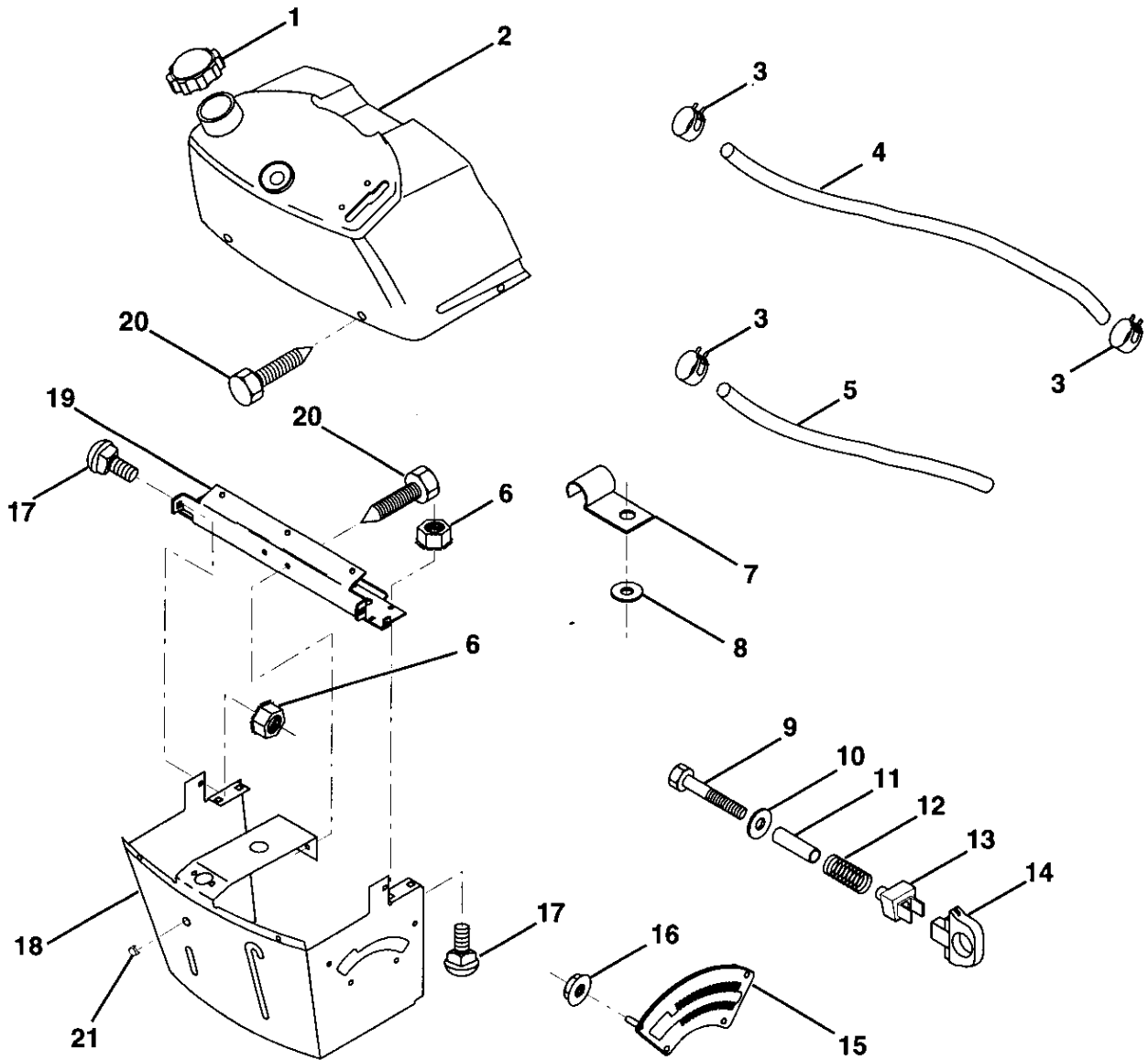
KEY NO.	PART NO.	DESCRIPTION
1	872 05 04-11	Bolt, Carriage 1/4-20 x 1-3/8
2	532 12 74-26	Seat
3	532 15 59-25	Pan, Seat
4	873 80 05-00	Nut, Lock Hex w/Ins. 5/16-18
5	532 15 32-36	Bolt, Shoulder 5/16-18 UNC
6	532 14 50-06	Clip, Push-in
8	874 76 06-16	Bolt, Fin Hex 3/8-16 UNC x 1
9	552 14 05-51	Bracket, Pivot Seat
10	532 12 64-71	Clip Insulator
11	819 13 32-10	Washer 12/32 x 2 x 10 Ga.

KEY NO.	PART NO.	DESCRIPTION
12	873 80 06-00	Nut, Lock Hex w/Wsh 3/8-16 UNC.
13	874 78 08-14	Bolt Hex 1/2-13 x 7/8
14	810 04 08-00	Washer Lock Hvy. Hlcl Spring 1/2
15	819 17 19-12	Washer, 17/32 x 1-3/16 x 12 Ga.
16	532 12 70-18	Bolt, Shoulder
17	532 12 12-46	Bracket, Switch, Mounting
18	532 12 39-76	Nut, Hex Large Flange Lock
19	532 12 12-48	Bushing, Snap
20	532 12 12-50	Spring, Compression
21	532 13 43-00	Spacer, Split 28 Id. x .88 Lg.

HARDWARE SHOWN LARGER FOR EASIER IDENTIFICATION

D

DASH



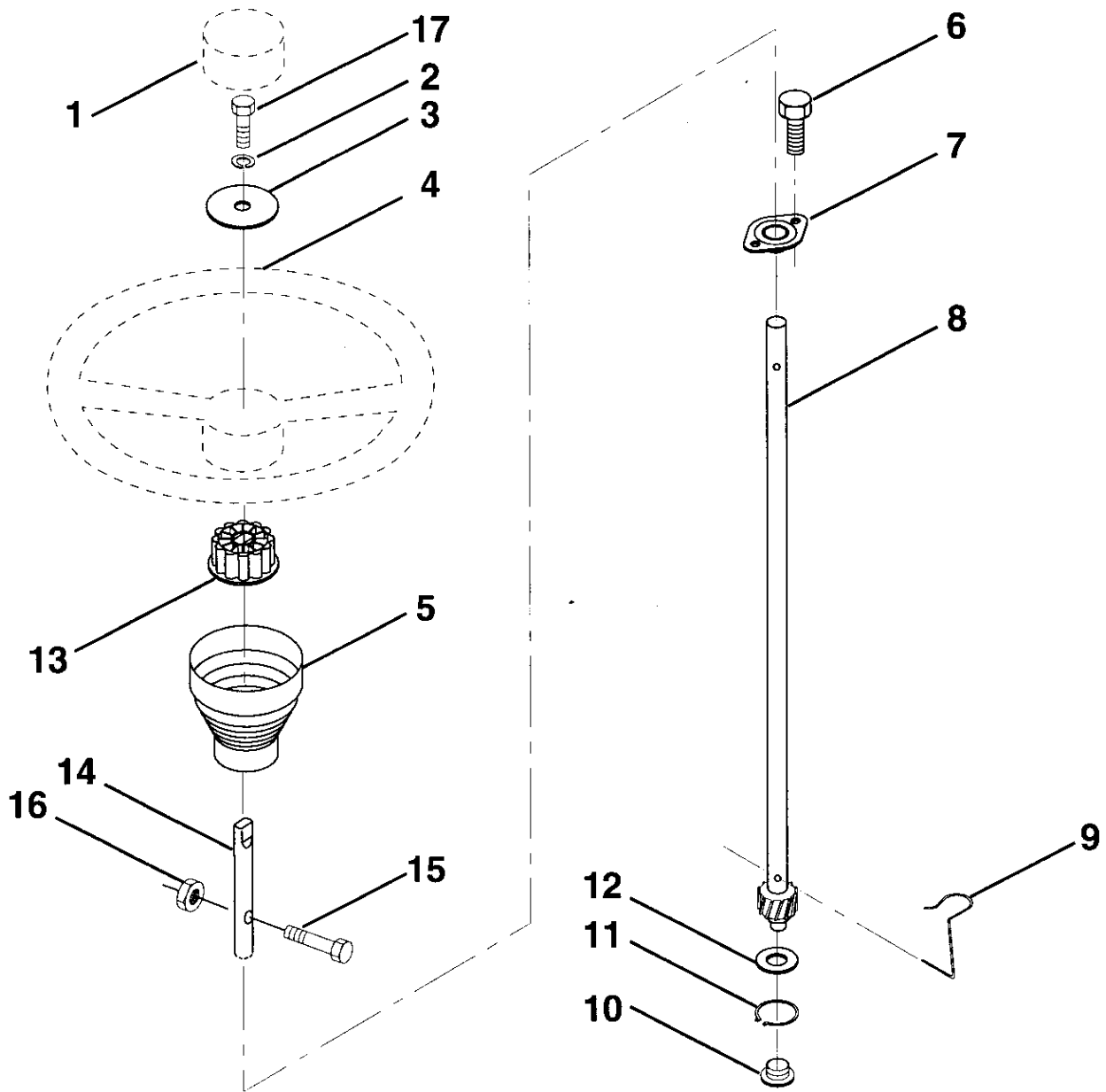
KEY NO.	PART NO.	DESCRIPTION
1	532 14 15-23	Cap, Fuel
2	532 13 83-93	Assembly, Dash & Fuel Tank
3	532 12 34-87	Clamp, Hose
4	532 00 85-44	Line, Fuel
5	532 00 85-48	Line, Fuel
6	873 64 04-00	Nut, Hex, Keps 1/4-20
7	532 12 49-96	Clip, Fuel Line
8	819 09 12-16	Washer 9/32 x 3/4 x 1 6 Ga.
9	874 76 04-28	Bolt, Hex, Fin 1/4-20 x 1-3/4
10	819 09 14-13	Washer 11/32x11/16 x 16 Ga.
11	532 12 12-49	Spacer, Split

KEY NO.	PART NO.	DESCRIPTION
12	532 00 37-20	Spring
13	532 12 64-50	Clip, Height Adjustment
14	532 12 61-15	Knob, Height Stop
15	532 12 20-23	Adjustment, Quadrant Height
16	532 12 43-46	Nut, Self-Threading 3/16-18
17	872 11 04-04	Bolt, Carriage 1/4-20 x 1/2 Gr. 5
18	532 13 07-45	Support Assembly, Dash
19	532 13 47-44	Brace, Cross
20	817 06 04-08	Screw, Self-Tapping 1/4-20 x 1/2
21	532 13 40-14	Plug Dome Black

HARDWARE SHOWN LARGER FOR EASIER IDENTIFICATION

E

STEERING WHEEL



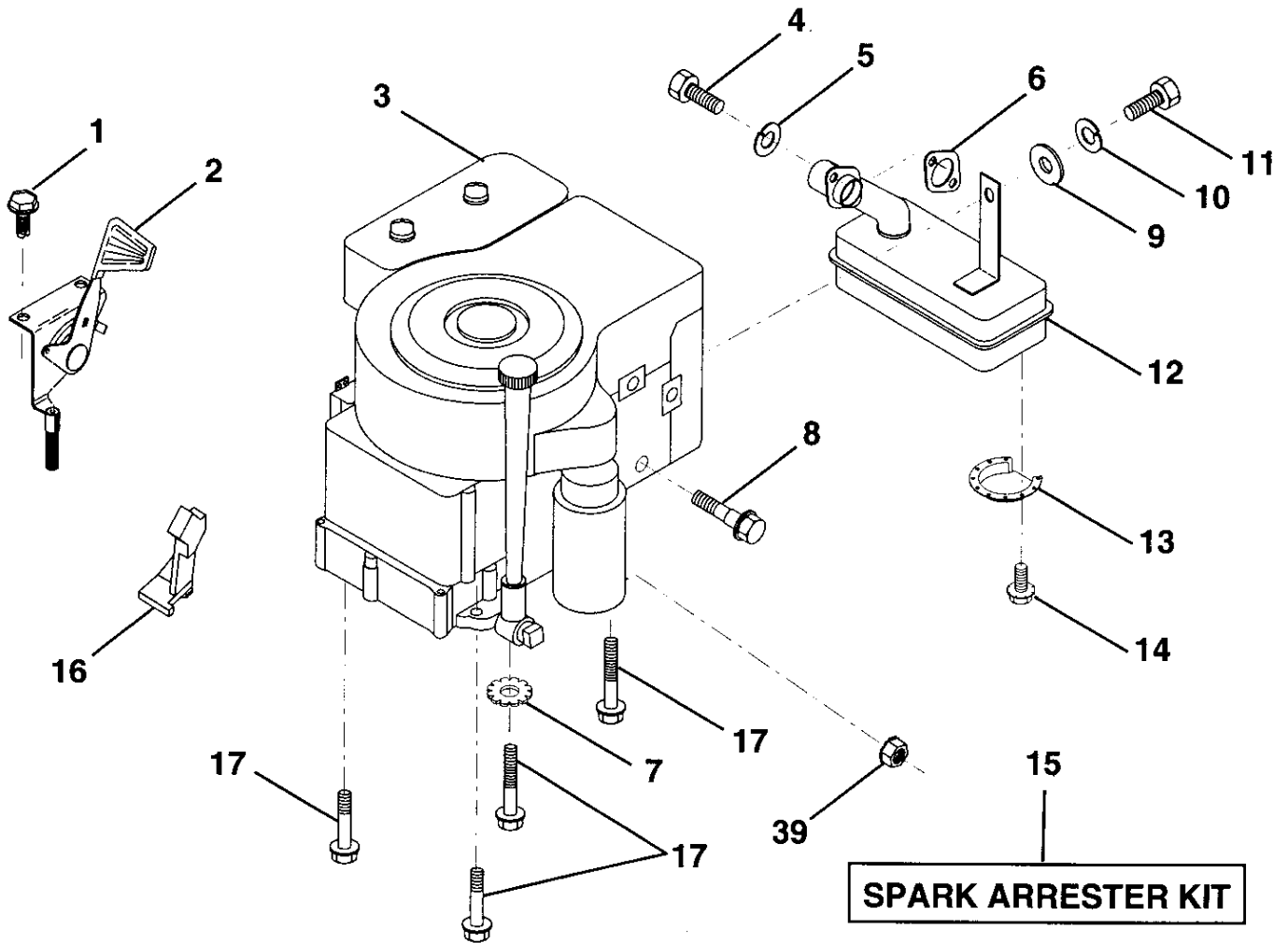
KEY NO.	PART NO.	DESCRIPTION
1	532 14 01-75	Insert, Wheel, Steering
2	810 04 06-00	Washer Lock Hevy Hlcl
3	819 13 38-08	Washer 1 2/32 x 2-3/8 x 8 Ga.
4	532 13 97-68	Wheel, Steering
5	532 12 18-97	Sleeve, Steering
6	532 15 29-27	Screw
7	532 15 51-04	Bushing, Steering
8	532 14 73-91	Shaft, Steering

KEY NO.	PART NO.	DESCRIPTION
9	532 12 42-10	Clip, Steering
10	532 12 34-38	Bushing, Lower, Steering
11	812 00 00-45	Ring, Retaining
12	819 21 16-16	Washer 21/32 x 1 x 16 Ga.
13	532 10 07-11	Adaptor, Wheel, Steering
14	532 15 37-20	Extension Shaft Steering
15	874 78 05-20	Bolt Fin Hex 5/16-18 UNC x 1-1/4
16	873 80 05-00	Nut Lock Hex W/Ins 5/416-18 UNC
17	874 78 06-16	Bolt Fin Hex 3/8-16unc x 1

HARDWARE SHOWN LARGER FOR EASIER IDENTIFICATION

F

ENGINE

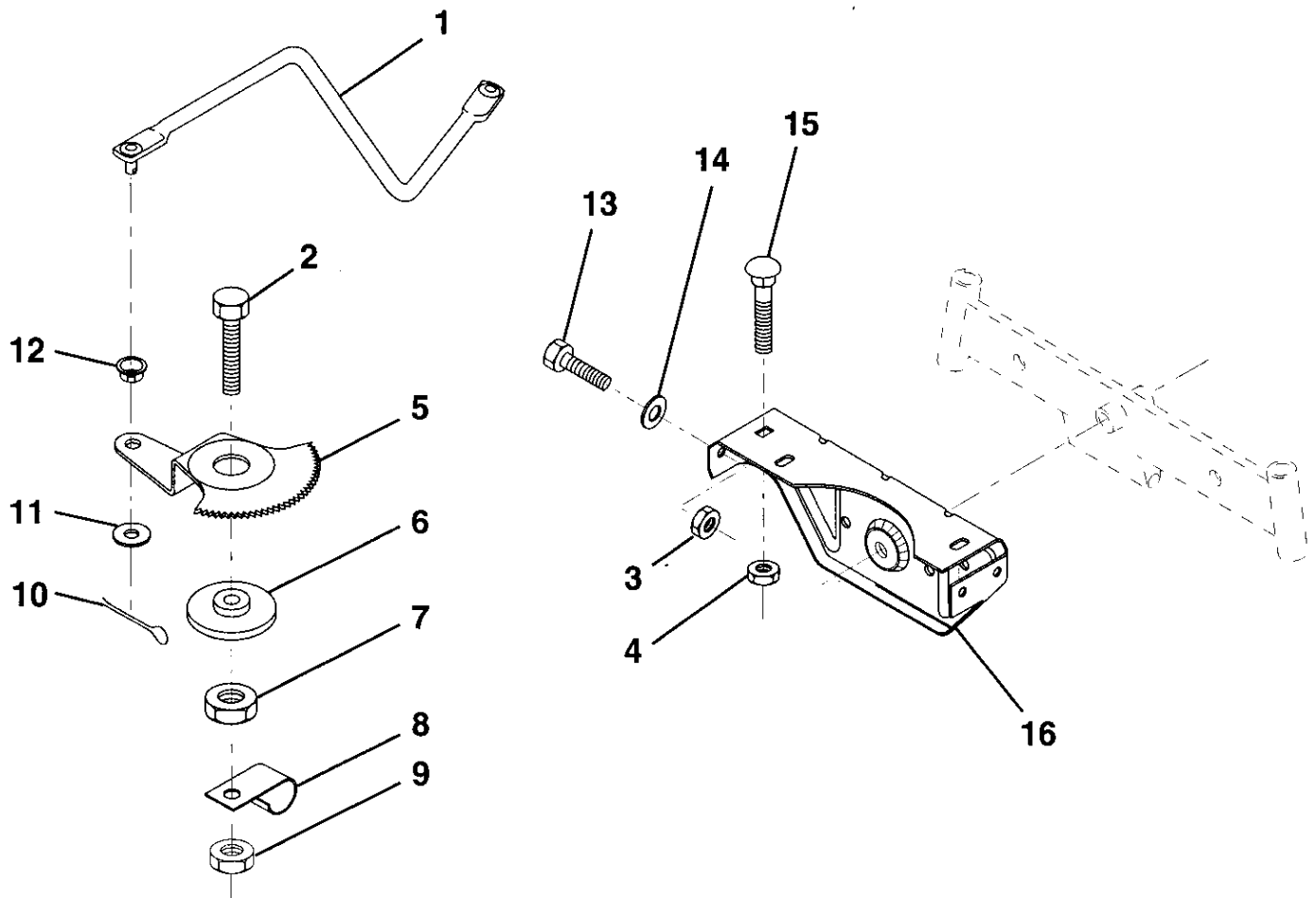


KEY NO.	PART NO.	DESCRIPTION	KEY NO.	PART NO.	DESCRIPTION
1	817 06 04-08	Screw, Hex Thd. Cut 1/4-20 x 1/2	11	-----	Bolt, Hex in.(Order From Eng. Mfg.)
2	532 13 30-25	Control Throttle	12	532 13 74-37	Muffler
3	-----	Engine	13	532 10 13-26	Deflector, Muffler
4	871 07 05-12	Screw, Hex, Cap 5/16-18x3/4	14	817 03 08-08	Screw, Spiderloc
5	810 04 05-00	Washer, Lock Heavy Helical Spring 5/16	15	532 13 71-80	Arrester, Spark (Optional equipment)
6	532 27 22-93	Gasket, Exhaust	16	532 12 79-51	Stop, Throttle
7	811 05 06-00	Washer Lock Ext. Tooth 3/8	17	817 49 06-24	Screw, Hex Washer Head, Thdrol. 3/8-16 x 1-1/2
8	532 12 10-94	Bolt Shoulder 5/16	39	532 12 88-61	Nut Flange 1/4-20
9	819 10 12-16	Washer 5/16x3/4x 16			
10	810 04 04-00	Washer, Lock Hvy Hlcl Spring 1/4			

HARDWARE SHOWN LARGER FOR EASIER IDENTIFICATION

G

SECTOR GEAR / AXLE SUPPORT



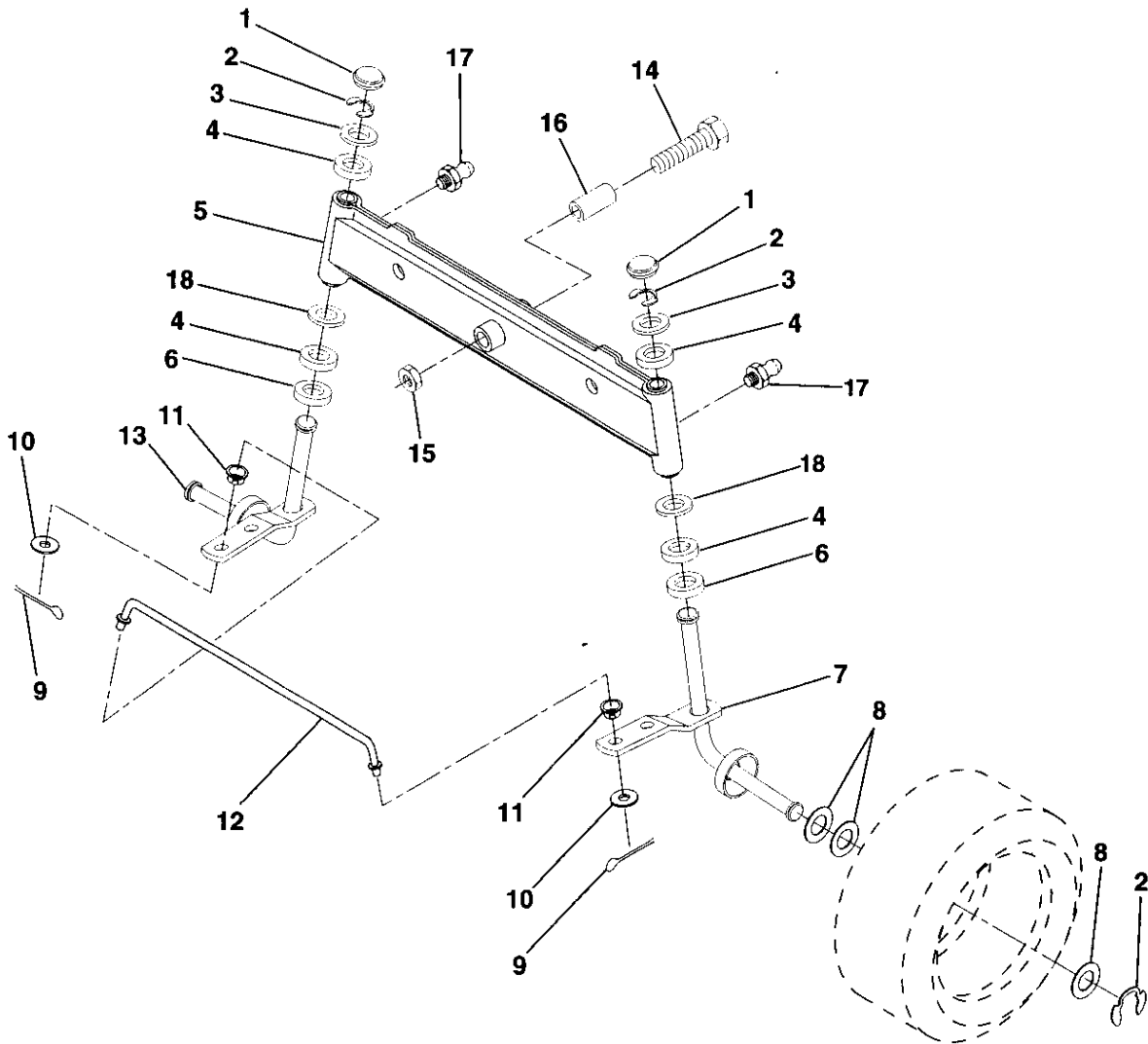
KEY NO.	PART NO.	DESCRIPTION
1	532 13 25-66	Link Drag
2	874 78 08-28	Bolt Fin Hex 1/2-13 x 1-3/4
3	873 68 05-00	Nut, Crownlock 5/16-18
4	873 68 06-00	Nut, Crownlock 3/8-16
5	532 12 19-26	Gear, Sector
6	532 12 19-27	Bushing
7	873 03 08-00	Nut, Heavy Hex Top Lock 1/2-13 UNC
8	532 12 64-72	Clip, insulated

KEY NO.	PART NO.	DESCRIPTION
9	873 68 08-00	Nut Crownlock 3/8-16
10	876 02 04-12	Pin Cotter 1/8 x 3/4
11	819 13 13-16	Washer, 13/32 x 13/16 x 16 Ga.
12	532 12 68-47	Bushing
13	874 76 05-12	Bolt, Hex Hd. 5/16-18 UNC x 3/4
14	819 11 14-16	Washer 11/32 x 7/8 x 16 Ga
15	872 11 06-06	Bolt, Carriage 3/8-16 UNC x 3/4
16	532 13 70-96	Support, Front Axle

HARDWARE SHOWN LARGER FOR EASIER IDENTIFICATION

H

FRONT AXLE



**KEY PART
NO. NO.**

DESCRIPTION

1	532 12 12-32	Cap, Spindle
2	812 00 00-29	Ring, Clip
3	532 12 17-48	Washer 25/32 x 1-5/8 x 16 Ga.
4	532 12 49-37	Nyliner
5	532 14 20-33	Axle, Front
6	532 12 49-31	Bearing, Thrust
7	532 13 70-62	Spindle, R.H. Asm.
8	532 12 17-49	Washer 25/32 x 1-1/4 x 16 Ga.
9	876 02 04-12	Pin, Cotter 1/8 x 3/4

**KEY PART
NO. NO.**

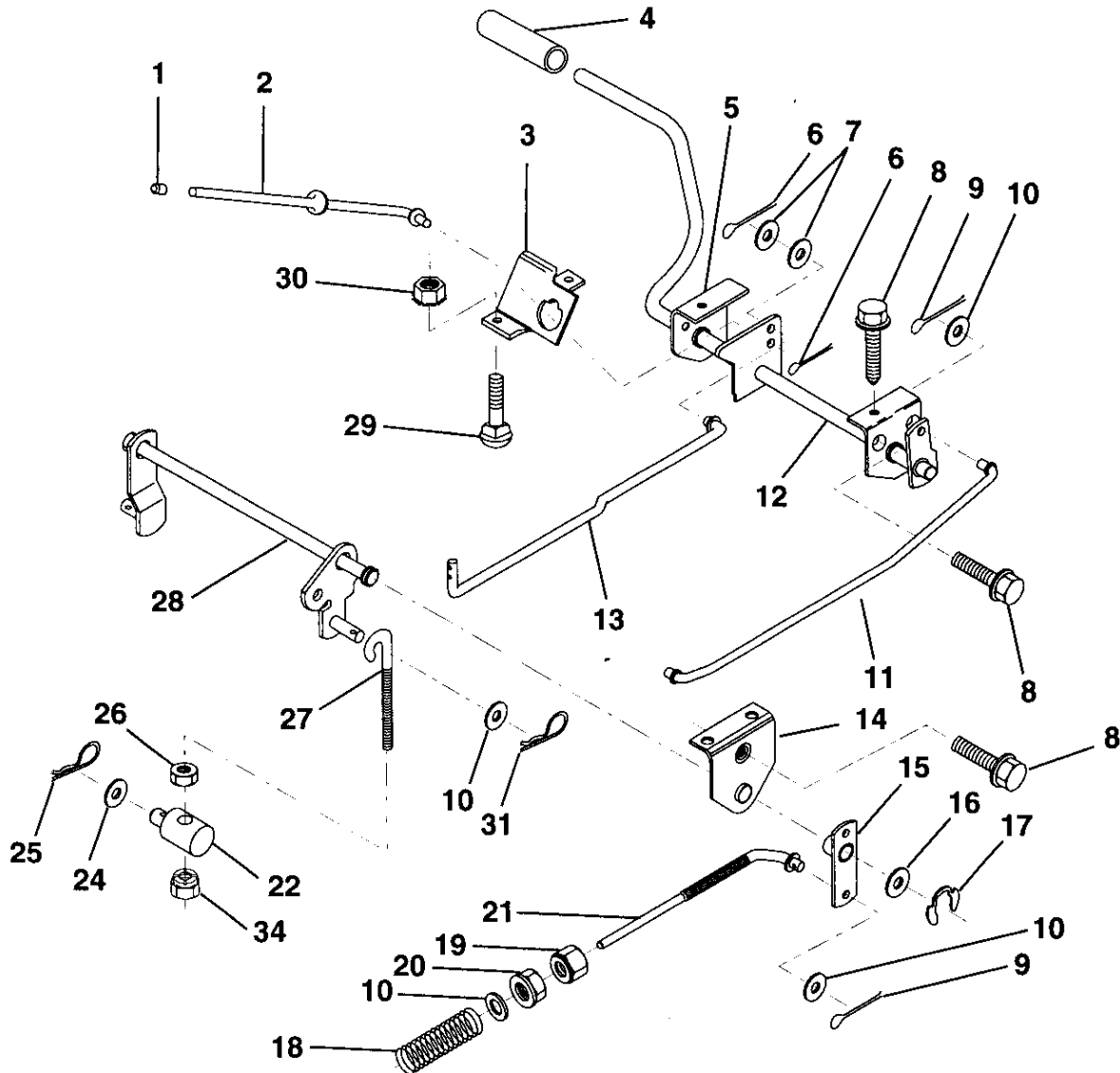
DESCRIPTION

10	819 13 13-16	Washer 13/32x13/16 x 16 Ga.
11	532 12 68-47	Bushing
12	532 13 04-65	Rod, Tie
13	532 13 70-61	Spindle, L.H. Asm.
14	874 01 10-56	Bolt Hex 5/1-11 x 3-1/2
15	873 90 10-00	Nut, Lock Flange 5/8-11
16	532 11 04-38	Spacer Bearing Axle
17	532 12 48-36	Fitting Grease
18	819 27 20-16	Washer 27/32x1-1/4 x 16 Ga.

HARDWARE SHOWN LARGER FOR EASIER IDENTIFICATION

J

BRAKE / REAR MOWER LIFT ASSEMBLY

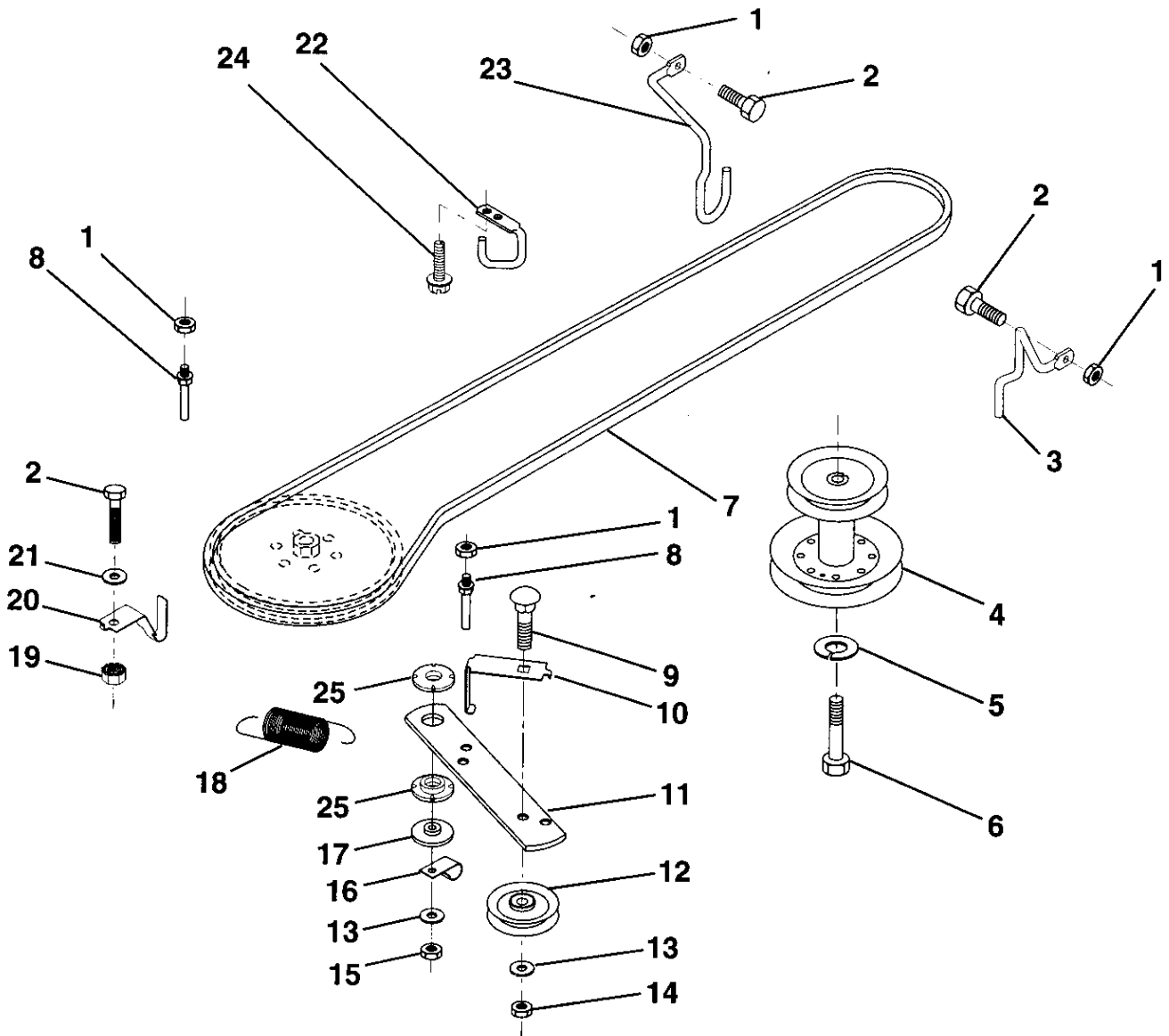


KEY NO.	PART NO.	DESCRIPTION	KEY NO.	PART NO.	DESCRIPTION
1	532 07 16-73	Cap, Plunger	16	819 25 18-16	Washer 25/32x1-1/8 x 16 Ga.
2	532 12 34-36	Rod, Parking Brake	17	812 00 00-34	Ring, Klip
3	532 12 34-37	Bracket, Parking Brake	18	532 15 13-32	Spring, Brake Rod
4	532 12 48-72	Cover, Pedal	19	873 35 06-00	Nut, Hex, Jam 3/8-16 UNC
5	532 12 25-04	Bracket, Clutch/Brake Pedal, L.H.	20	873 80 06-00	Nut, Lock, Hex W/Ins. 3/8-16 UNC
6	876 02 03-12	Pin, Cotter 3/32 x 3/4	21	532 13 14-60	Rod, Rear Brake
7	819 13 10-16	Washer 13/32x 5/8x 16 Ga.	22	532 14 45-85	Trunnion, Lift
8	817 49 05-08	Screw, Hex, Thd. Roll. 5/16-18 x 1/2	24	819 13 20-12	Washer 13/32 x 1 -1/4 x 1 2 Ga.
9	876 02 04-12	Pin Cotter 1/8 x 3/4	25	532 12 49-61	Spring, Retainer
10	819 13 13-16	Washer 13/32 x 13/16 x 16 Ga.	26	873 93 06-00	Nut, Centerlock 3/8-16 UNC
11	532 12 35-43	Rod, Brake Front	27	532 12 73-69	Link, Threaded
12	532 13 99-33	Assembly, Clutch/Brake Pedal	28	532 14 07-76	Assembly, Rear Mower Lift
13	532 12 33-94	Rod, Clutch	29	872 11 05-06	Bolt, Carriage 5/16-18 UNC x 3/4
14	532 12 19-78	Bracket, Lift, Shaft	30	873 51 05-00	Nut, Keps 5/16-16 UNC
15	532 13 33-32	Assembly, Brake, Pivot, Arm	31	532 12 46-60	Retainer, Spacer
			34	873 68 06-00	Nut, Crownlock 3/8-16 UNC

HARDWARE SHOWN LARGER FOR EASIER IDENTIFICATION

K

GROUND DRIVE

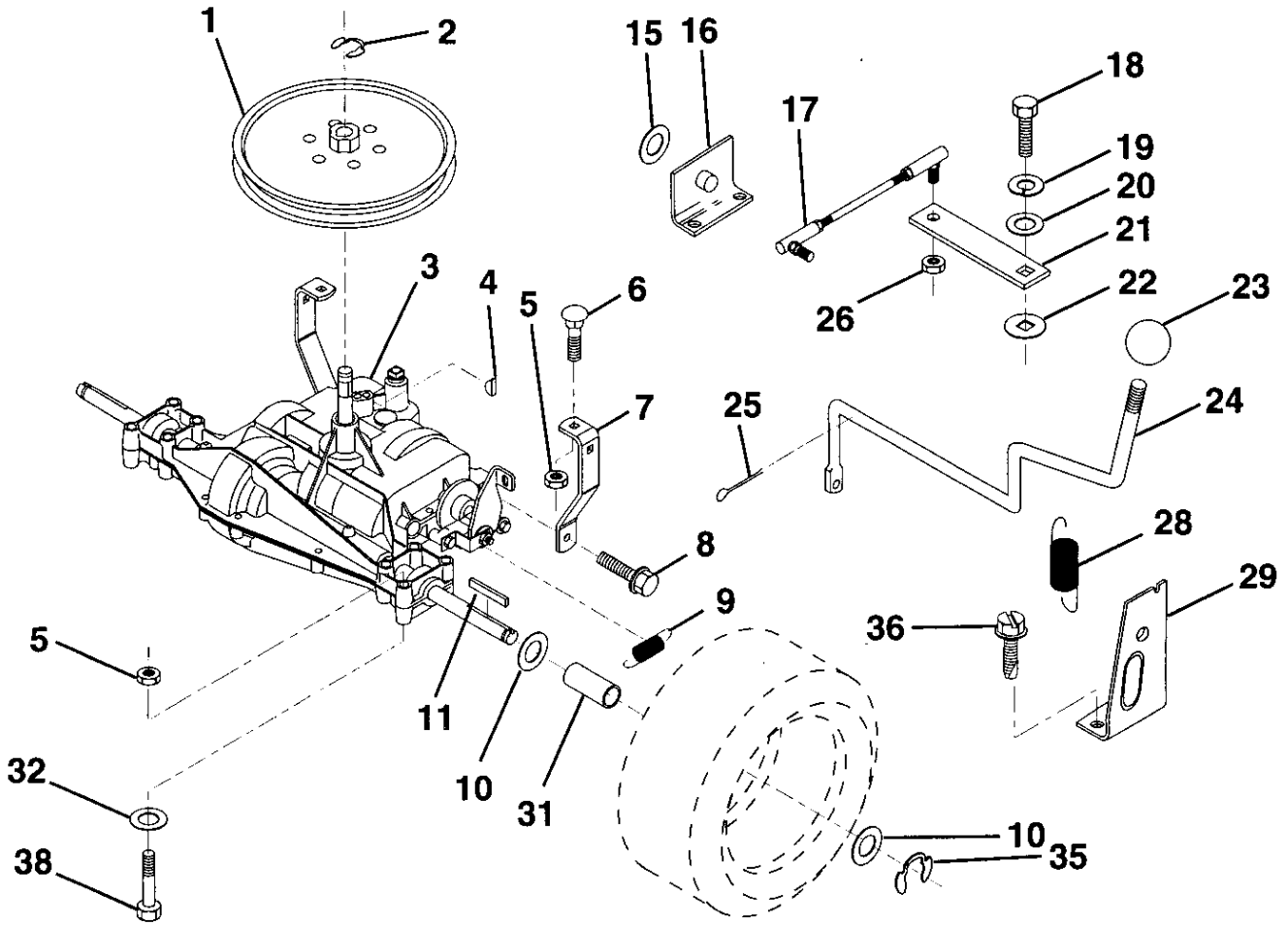


KEY NO.	PART NO.	DESCRIPTION	KEY NO.	PART NO.	DESCRIPTION
1	873 68 05-00	Nut, Crownlock 5/16-18	14	873 93 06-00	Nut, Centerlock 3/8-16 UNC
2	874 76 05-12	Bolt, Hex Hd 5/16-18 UNC x 3/4	15	873 68 06-00	Nut Crownlock 3/8-16
3	532 14 13-42	Keeper, Mower Drive, R.H.	16	532 12 64-71	Clip, insulated
4	532 13 80-29	Pulley, Engine	17	532 15 09-32	Spacer, Retainer
5	810 04 07-00	Washer, Lock 7/16	18	532 13 14-59	Spring Extension
6	871 17 07-44	Bolt Hex 7/16-20 Gr. 5	19	873 51 05-00	Nut, Keps 5/16-18 UNC
7	531 01 31-29	Traction, V-Belt Drive	20	532 13 99-19	Keeper, T/A Ground Drive Belt
8	532 12 34-05	Keeper, T/A Ground Drive Belt	21	819 11 10-16	Washer 11/32 x 5/8 x 16 Ga
9	872 14 06-12	Bolt, Carr. 3/8-16 UNC x 1-1/2	22	532 12 34-04	Keeper, Frame Ground Drive Belt
10	532 12 33-96	Keeper, Belt Ground Drive idler	23	532 14 09-16	Keeper, Mower Drive, L.H
11	532 15 09-26	Arm, Ground Drive Clutch	24	817 72 04-08	Screw, Thd. Cut 1/4-20 x 1/2
12	532 12 36-74	idler, Flat	25	532 15 09-35	Bushing, Nylon
13	819 13 13-16	Washer 13/32 x 13/16 x 16 Ga.			

HARDWARE SHOWN LARGER FOR EASIER IDENTIFICATION

L

TRANSAXLE



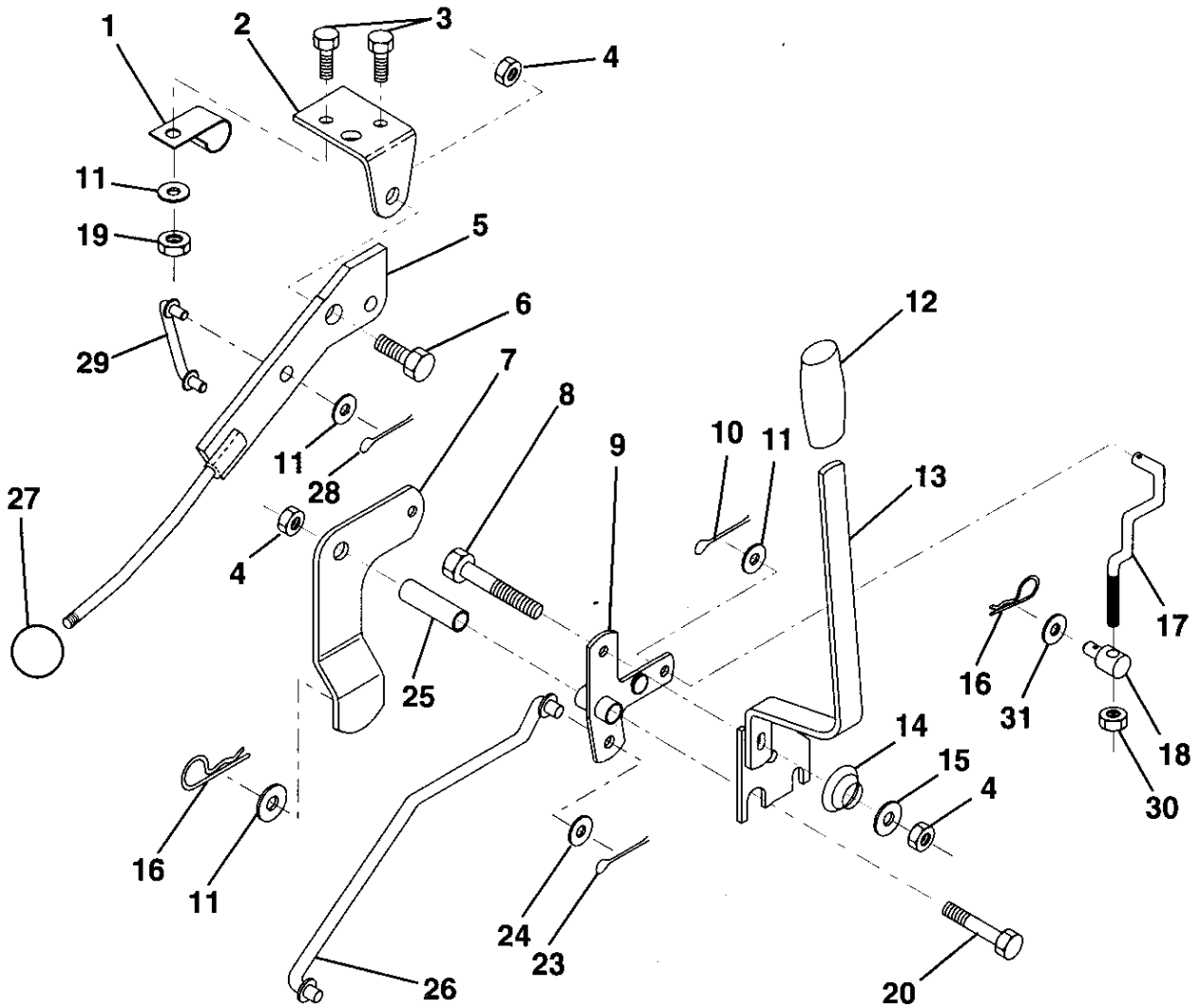
KEY NO.	PART NO.	DESCRIPTION
1	532 12 33-85	Pulley
2	812 00 00-28	Ring, Retainer
3	-----	Transaxle
4	532 12 50-96	Key, Woodruff #9
5	873 68 05-00	Nut, Crownlock 5/16-18
6	872 14 05-06	Bolt, Carriage 5/16-18 UNC x 3/4
7	532 12 33-78	Strap, Torque
8	817 49 05-12	Screw 5/16-18x3/4
9	532 14 66-82	Spring, Brake
10	532 12 17-49	Washer 25/32 x 1-1/4 x 16 Ga.
11	532 12 35-83	Key, Square
15	819 17 16-16	Washer 17/32 x 1 x 16 Ga.
16	532 12 46-00	Support Handle Shift LH
17	532 12 62-93	Link, Shift
18	874 55 04-12	Bolt 1/4-28 UNF Gr. 8 W/Patch

KEY NO.	PART NO.	DESCRIPTION
19	810 04 04-00	Washer, Lock 1/4
20	819 09 12-10	Washer 9/32 x 3/4 x 10 Ga.
21	532 12 62-92	Arm, Shift
22	532 10 57-01	Washer, Shift Plate
23	532 12 12-74	Knob, Duckhead
24	532 12 82-15	Rod Shift
25	876 02 04-16	Pin, Cotter 1/8 x 1
26	873 81 05-00	Locknut 5/16-24 UNF
28	532 12 80-85	Extension, Spring
29	532 12 80-84	Support Handle Shift RH
32	819 11 11-16	Washer 11/32 x 11/16 x 16
31	532 13 70-57	Spacer Axle
35	812 00 00-01	E-Ring
36	817 72 04-08	Screw, Thdrol 5/16-18 x 1/2
38	874 49 05-44	Bolt, Hex Hd 5/16-18 x 2-3/4

HARDWARE SHOWN LARGER FOR EASIER IDENTIFICATION

O

MOWER LIFT LEVER



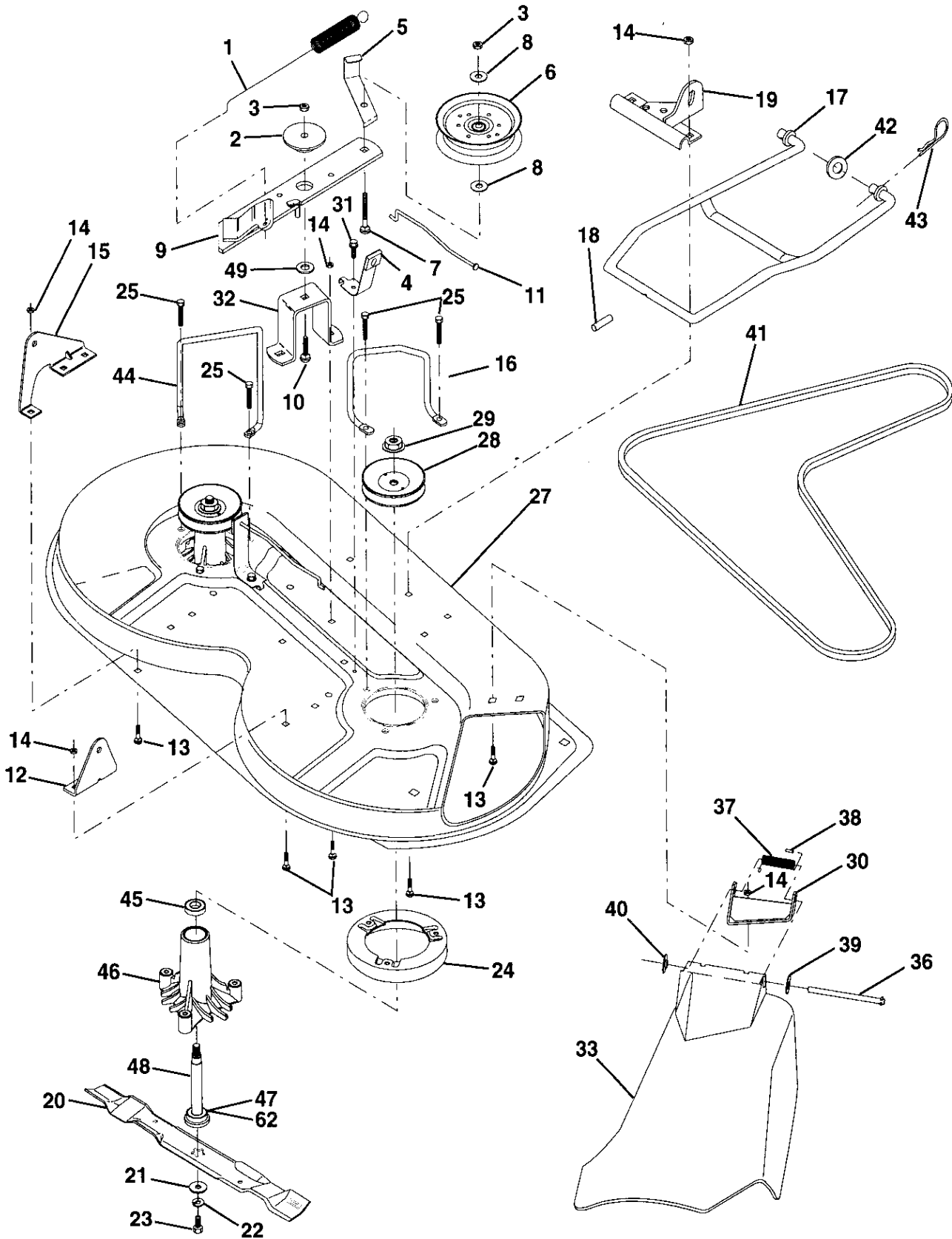
KEY NO.	PART NO.	DESCRIPTION
1	532 12 64-70	Clip, Insulated
2	532 12 20-18	Bracket, Mower Clutch
3	871 11 04-08	Bolt, Fin. Hex 1/4-20 UNC x 1/2
4	873 68 06-00	Nut, Crownlock 3/8-16
5	532 14 51-87	Assembly, Clutch Lever
6	532 10 64-51	Bolt, Shoulder
7	532 13 53-71	Assembly, Mower Clutch Arm
8	874 76 06-36	Bolt, Hex 3/8-16 UNC x 2-1/4
9	532 12 19-30	Assembly, Bellcrank Lift
10	876 02 04-12	Pin, Cotter 1/8 x 3/4
11	819 13 13-16	Washer 13/32 x 13/16 x 16 Ga.
12	532 12 20-27	Grip, Handle
13	532 13 93-52	Assemblv, Lift Handle
14	532 12 34-96	Spring, Compression

KEY NO.	PART NO.	DESCRIPTION
15	819 13 12-12	Washer 13/32 x 3/4 x 12 Ga.
16	532 12 49-61	Retainer, Spring
17	532 12 73-59	Link, Front Lift
18	532 14 20-28	Trunnion, Threaded 3/8-16
19	873 68 04-00	Nut, Crownlock 1/4-20
20	874 76 06-44	Bolt, Fin. Hex 3/8-16 UNC x 2-3/4
23	876 02 04-16	Pin, Cotter 1/8 x 1
24	819 17 16-12	Washer 17/32 x 1 x 12 Ga.
25	532 12 19-33	Tube, Spacer
26	532 14 14-70	Rod, Mower Lift
27	532 12 14-66	Knob
28	876 02 03-12	Pin, Cotter 3/32 x 3/4
29	532 13 16-55	Link, Mower Clutch
30	873 35 06-00	Nut Hex Jam 3/8-16x1.30
31	819 13 20-12	Washer 13/32x 1-1/4x 12 Ga.

HARDWARE SHOWN LARGER FOR EASIER IDENTIFICATION

M

MOWER DECK



M

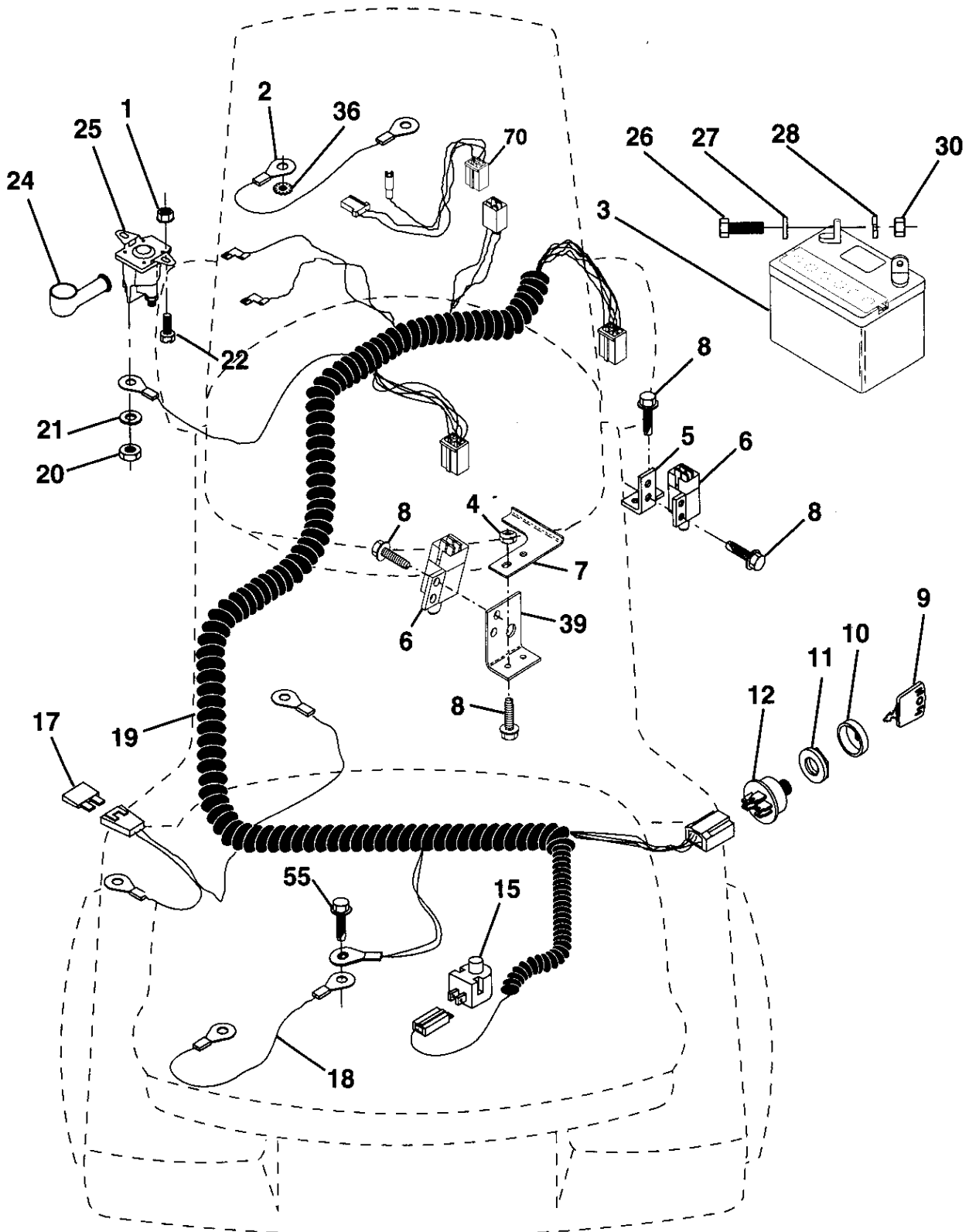
MOWER DECK

KEY NO.	PART NO.	DESCRIPTION
1	532 14 00-64	Spring Mower Clutch
2	532 12 20-52	Spacer, Retainer
3	873 68 06-00	Nut, Crownlock 3/8-16
4	532 13 08-40	Brake Asm
5	532 13 12-51	Guide, Belt idler
6	532 12 13-16	Pulley, Flat idler
7	872 11 06-16	Bolt, Carr 3/8-16x1-3/4 Gr 5
8	819 13 14-10	Washer 13/21 x 7/8 x 10 Ga
9	532 12 77-44	Arm Asm, idler Mower
10	872 14 06-10	Bolt, Carriage 3/8-16x 1-1/4
11	532 13 08-41	Rod Brake
12	532 12 73-56	Bracket, Lid R. H Rear
13	872 14 05-06	Bolt, Carriage 5/16 18 x 3/4
14	873 68 05-00	Nut, Crownlock 5/16-18
15	532 12 73-57	Bracket, Lift L. H. Rear
16	532 15 32-98	Keeper, R. H.
17	532 12 85-08	Link, Asm Mower Stabilizer
18	532 12 85-11	Pin, Drive
19	532 12 73-80	Bracket, Asm Front
20	531 01 31-26	Blade, High Lid
21	532 14 02-96	Washer, Hard
22	810 03 06-00	Washer, Lock 3/8
23	532 85 08-57	Bolt 3/8-24 x 1-1/4 Gr. 8
24	532 14 03-29	Stripper
25	532 13 87-76	Screw Thdrol Hex Hd
27	532 15 66-00	Deck Assembly
28	532 15 35-31	Pulley Mandrel
29	532 13 72-66	Nut, Flangelock 9/16
30	532 13 66-31	Bracket, Asm Deflector
31	817 49 05-08	Screw, Hex Wsh. Thdrol 5/16-18 x 1/2
32	532 12 20-51	Arm, Support idler Mower
33	532 13 90-83	Deflector
36	532 12 19-80	Rod, Hinge
37	532 12 37-13	Spring, Torsion Deflector
38	532 10 53-04	Cap, Sleeve
39	819 11 10-16	Washer 11/32 x 5/8 x 16 Ga
40	532 11 04-52	Pushnut
41	531 01 31-33	V-Belt
42	819 17 16-16	Washer 11/32 x 5/8 16 Ga
43	532 12 46-60	Retainer Spring
44	532 14 06-08	Keeper L. H
45	532 11 04-85	Bearing
46	532 12 87-74	Housing Mandrel Vented
47	532 12 98-95	Bearing
48	532 13 76-45	Shaft, Mandrel (Includes Key # 47)
49	532 13 39-43	Washer Hardened
62	532 15 33-90	Washer, Felt
--	532 13 07-94	Mandrel Asm. (Includes Key No.'s 22-23, 26, 29 and 45-48)
--	532 15 68-66	neck Mower Complete

HARDWARE SHOWN LARGER FOR EASIER IDENTIFICATION

P

ELECTRICAL



P

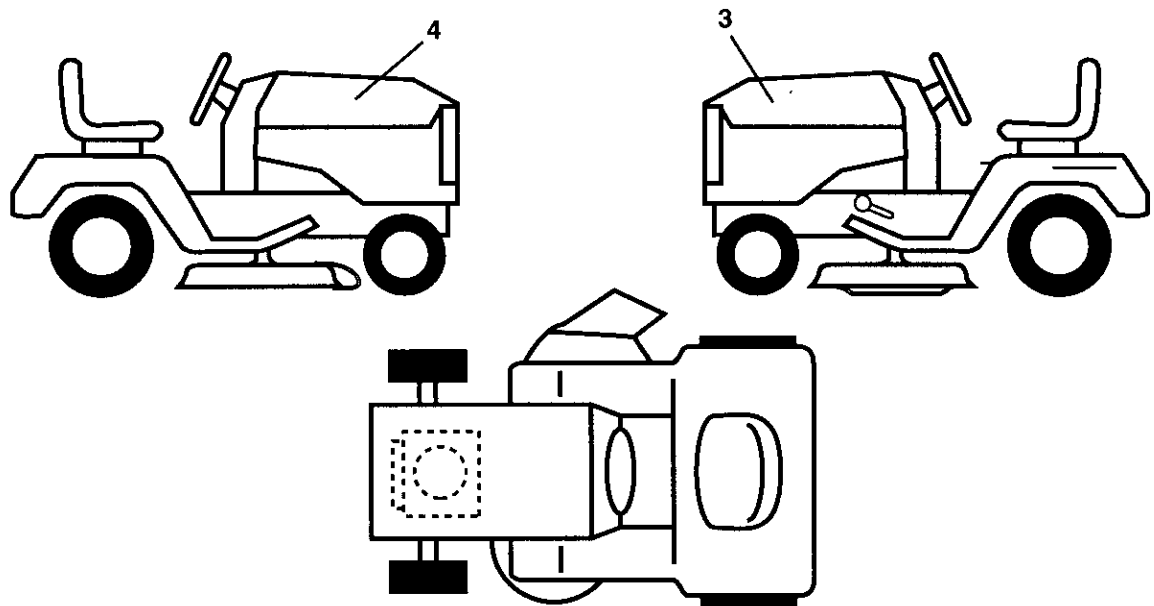
ELECTRICAL

KEY NO.	PART NO.	DESCRIPTION
1	873 64 04-00	Nut, Hex Keps 1/4-20
2	532 10 84-23	Assembly, Cable
3	532 12 38-99	Battery
4	532 06 91-80	Nut, Lock # 10-24 UNC
5	532 10 82-36	Bracket, Switch
6	532 10 95-53	Switch, interlock (4-terminal)
7	532 14 63-74	Keeper Actuator
8	817 02 10-08	Screw, Hex Hd. Self-Tapping #10-24 x 1/2
9	532 14 04-02	Key, Steel
10	532 14 12-26	Cover, Key ignition
11	532 14 04-00	Nut, ignition
12	532 14 49-21	Switch, Ignition
15	532 12 13-05	Switch, Plunger
17	532 10 88-24	Fuse
18	532 12 83-53	Assembly, Cable
19	532 14 60-63	Harness, Ignition
20	873 35 04-00	Nut, Hex Jam 1/4-20
21	810 09 04-00	Washer, Lock 1/4
22	871 11 04-08	Bolt, Fin. Hex 1/4-20 UNC x 1/2
24	532 13 15-63	Cover, Terminal
25	532 14 56-73	Solenoid
26	874 76 04-12	Bolt, Hex Hd. 1/4-20 UNC x 3/4
27	819 09 10-16	Washer 9/32 x 5/8 x 16
28	810 04 04-00	Washer, Lock 1/4
30	873 22 04-00	Nut, Fin. Hex 1/4-20 UNC
36	811 15 04-00	Washer Lock inter. Tooth 1/4
39	532 14 17-35	Bracket Switch Clutch
55	817 49 05-08	Screw Thdrol 5/16 - 1 8 x 1/2
70	532 14 04-13	Harness Engine

HARDWARE SHOWN LARGER FOR EASIER IDENTIFICATION

R

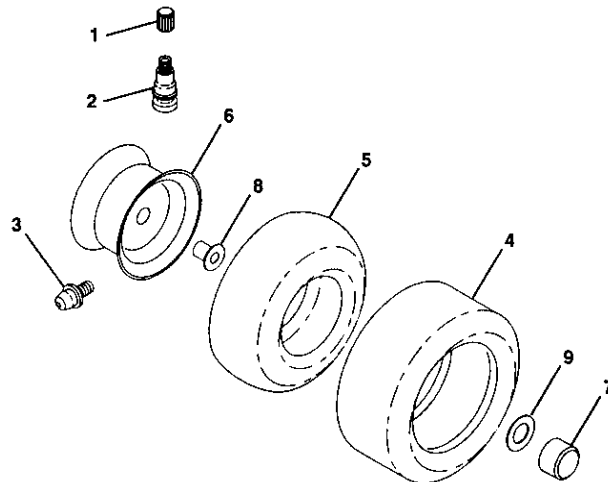
DECALS



KEY NO.	PART NO.	DESCRIPTION
3	532 15 58-52	Decal, Hood, L. H.
4	532 15 58-51	Decal, Hood, R. H.

R

WHEELS & TIRES



KEY NO.	PART NO.	DESCRIPTION
1	532 05 91-92	Cap, Valve
2	532 06 51-39	Stem, Valve
3	532 12 49-57	Fitting, Grease\ (Front Wheels Only)
4	532 12 34-10	Tire, Front
4	532 10 62-30	Tire, Rear
5	532 05 99-04	Tube, Front (Optional Service items Only)
5	532 00 81-34	Tube, Rear (Optional Service items Only)
6	532 14 20-39	Rim, Front
6	532 14 16-52	Rim, Rear
7	532 10 47-57	Cap Axle
8	532 12 49-59	Bearing Flange
9	532 12 17-48	Washer 25/32 x 1-518 x 16 Ga.