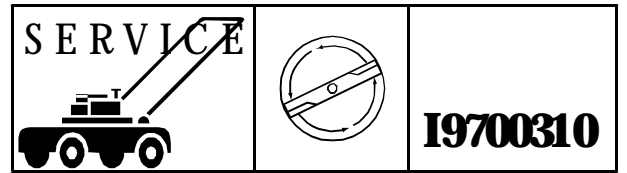


Jonsered



IPL, LTH18 46", 1997.04.22-01, 108 07 06-17

LTH18 46"

Spare parts

Ersatzteile

Pièces détachées

Reserve onderdelen

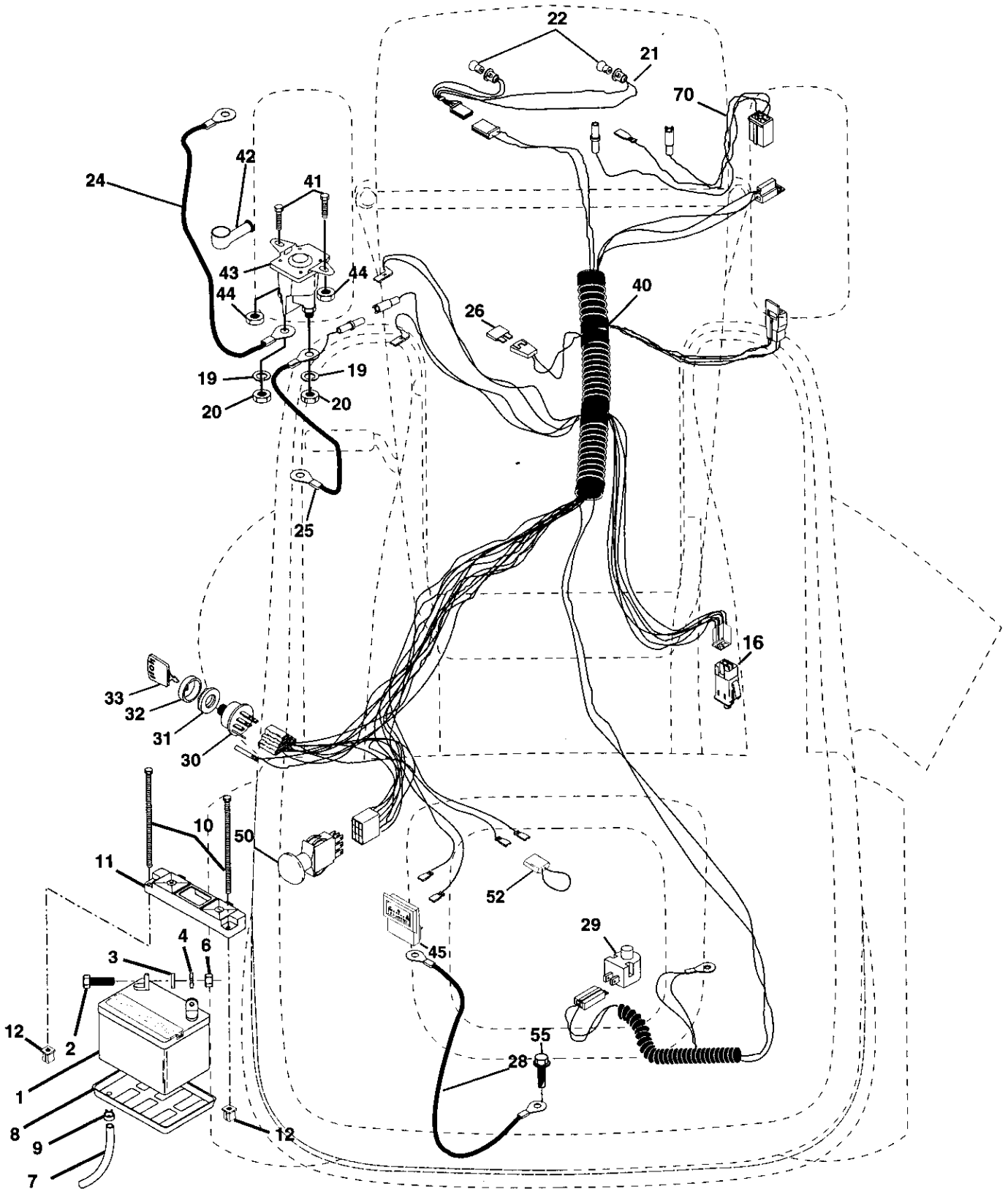
Repuestos

Reservdelar

Product No: 9541300-05

P

ELECTRICAL



P

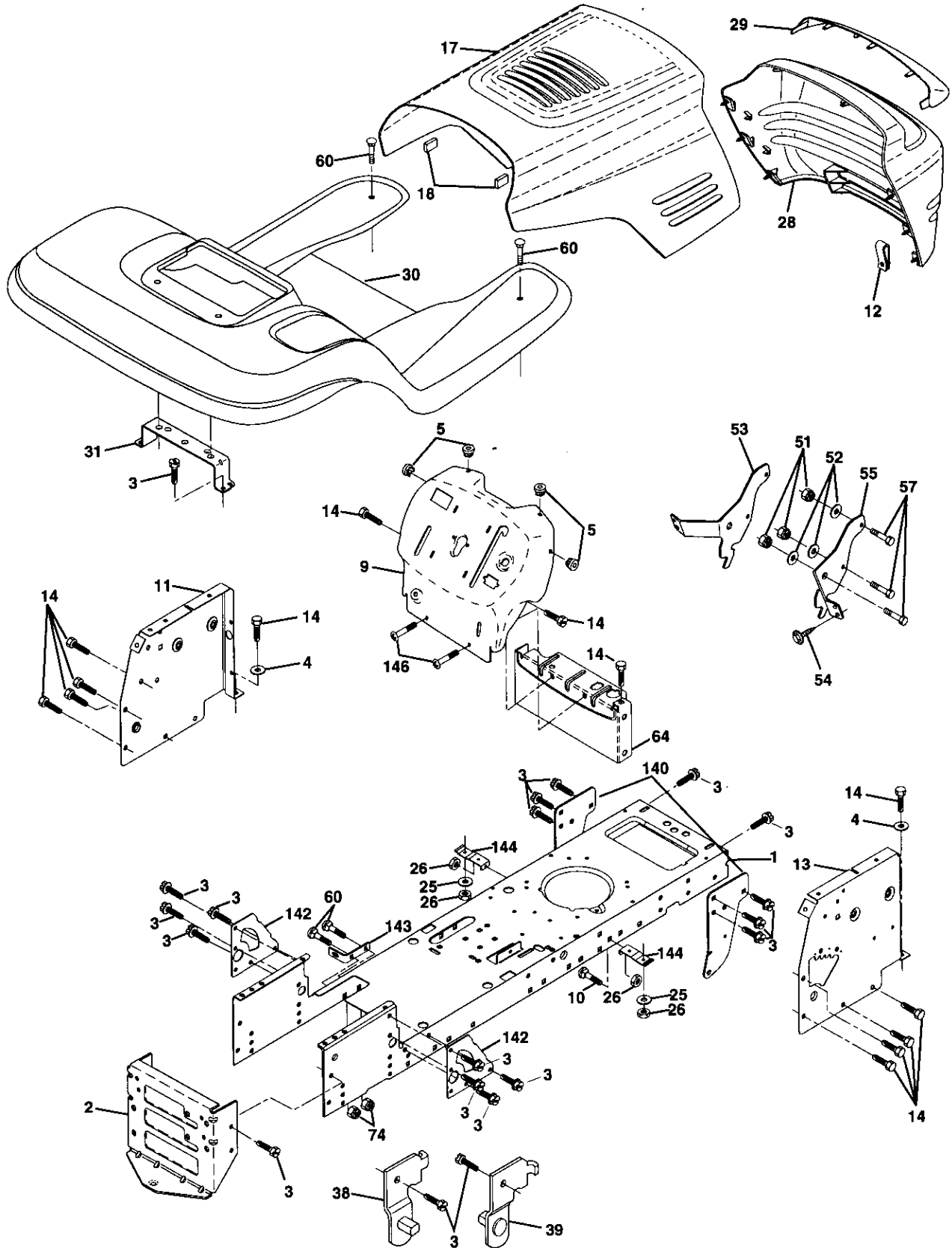
ELECTRICAL

KEY NO.	PART NO.	DESCRIPTION
1	532 12 38-99	Battery 12 Volt 30 AMP
2	874 76 04-12	Bolt Hex Hd 1/4-20unc X 3/4
3	819 09 10-16	Washer 9/32 X 5/8 X 16 Ga.
4	810 04 04-00	Washer Lock Hvy Helical 1/4
6	873 22 04-00	Nut Fin Hex 1/4-20 Unc
7	532 00 76-97	Tube Plastic 46"
8	532 12 48-86	Case Tray Brty 7.80 x 5.25 Blk
9	532 10 95-96	Clamp Hose Olive
10	532 14 52-11	Bolt Btr Frt 1/4-20 x 7.5 zinc
11	532 15 01-09	Holddown Battery mount
12	532 14 57-69	Nut Push Nylon 1/4 Battery Frt.
16	532 15 36-64	Switch Interlock Push-In
19	810 09 04-00	Washer Lock 1/4
20	873 35 04-00	Nut Jam Hex 1/4-20 Unc
21	532 14 74-30	Harness Asm Light W/4152j
22	532 00 41-52	Bulb Light #1156
24	532 12 47-80	Cable Battery 6 Ga 11 " red
25	532 14 61-48	Cable Battery 6 Ga 22" w/16W
26	532 10 88-24	Fuse 30 AMP Auto Green
28	532 14 54-91	Cable Ground 21" Blk 6 Ga 90T
29	532 12 13-05	Switch Plunger Nc Gray
30	532 14 03-01	Switch Ign 4 pos w/lights
31	532 12 42-11	Nut Ignition
32	532 14 12-26	Cover Sw Ignition
33	532 12 21-47	Key Ign Modledded Generic
40	532 15 64-43	Harness Ign. Elec CI Am Hm STL
41	871 11 04-08	Bolt Blk Fin Hex 1/4 - 20 x 1/2
42	532 13 15-63	Cover Terminal Red
43	532 14 56-73	Solenoid
44	873 64 04-00	Nut Keps Hex 1/4-20 Unc
45	532 12 28-22	Ammeter Rectangular 15 Amp
50	532 15 49-59	Switch PTO 3 PTD Black
52	532 14 19-40	Protection Wire Loop
55	817 49 05-08	Screw Thdrol 5/16-18 x 1/2 Typ
70	532 14 04-24	Harness, Eng.

NOTE: All component dimensions given in U.S. inches.
1 inch = 25.4 mm.

A

CHASSIS AND ENCLOSURES



A

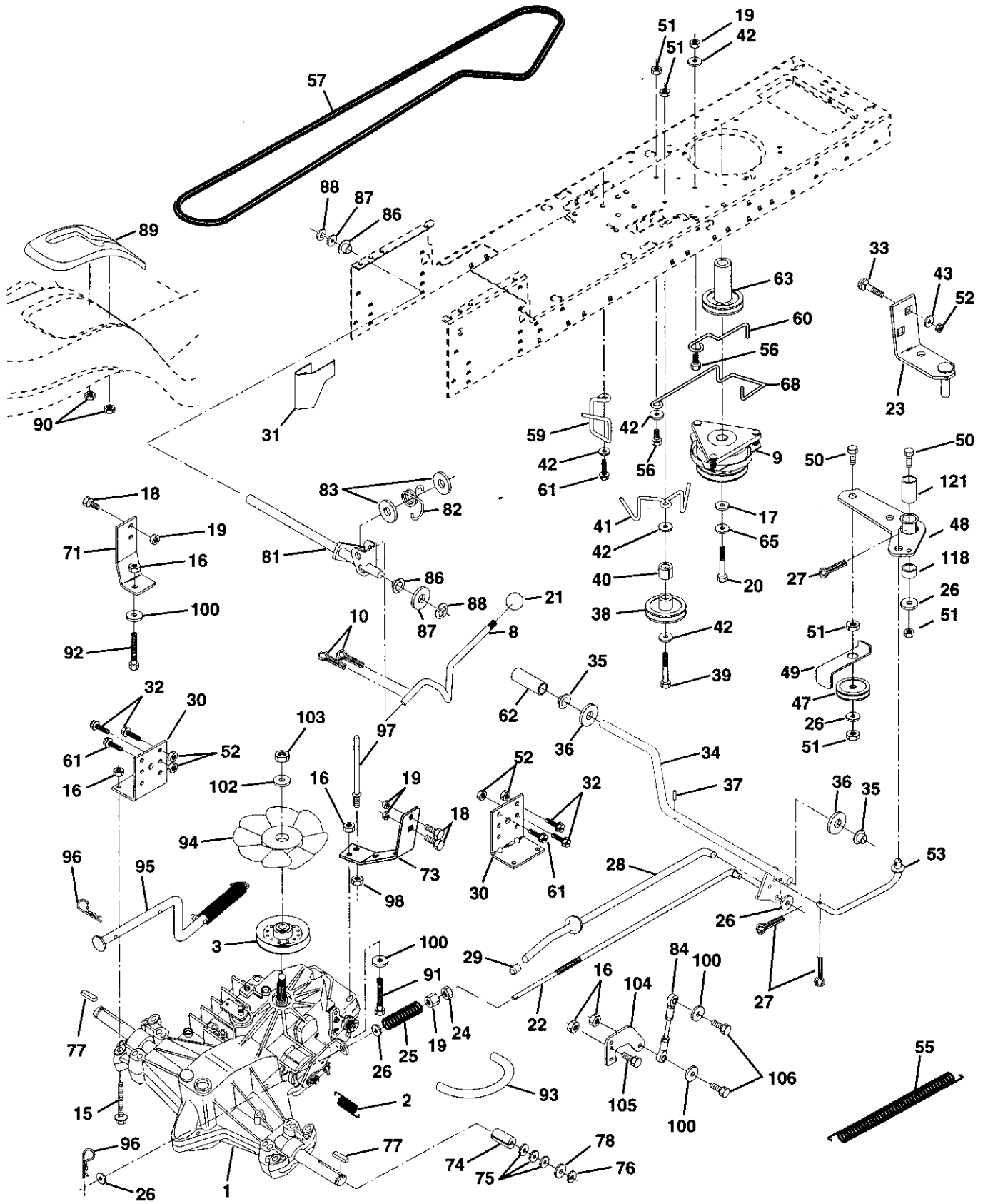
CHASSIS AND ENCLOSURES

KEY NO.	PART NO.	DESCRIPTION
1	532 15 38-71	Chassis Stamping
2	532 14 03-56	Drawbar, Stretch
3	817 49 06-12	Screw Thdrol 3/8-16x3/4 Ty-tt
4	819 13 12-16	Washer 13/32 x 3/4 x 16 Ga.
5	155272???	Bumper Hood/Dash
9	872 14 06-08	Dash P/L W/Amm. w/PTO Grey
10	872 14 06-08	Bolt Carriage 3/8-16 x 1
11	532 14 69-56	Panel Pnt Dash Lh
12	532 14 56-60	Clip, Tinnerman Grille P/L
13	532 14 69-62	Panel AsmDash Rh
14	817 49 06-08	Screw Thdrol 3/8-16x1/2 Ty-tt
17	532 15 07-60	Hood
20	532 15 64-37	Plate Mtg Battery/Fuel tank fr
23	532 12 40-28	Bushing Snap Nyl Blk Fuel Line
25	819 13 13-12	Washer 13/32 X 13/16 X 12 Ga
26	873 80 06-00	Nut Lock Hex W/Ins 3/8-16 Unc
28	532 15 06-71	Grille w/Clips MS-505
29	532 14 51-99	Lens
30	532 15 67-93	Fender
31	532 13 99-76	Bracket Pnt Fender
37	817 49 05-08	Screw Thdrol 5/16-18 x 1/2
38	532 13 98-86	Bracket, Asm. Pivot, L.H., Mower Rear
39	532 13 98-87	Bracket, Asm. Pivot, R.H., Mower Rear
51	873 80 04-00	Nut Lock Hex W/Ins 1/4-20
52	819 09 14-16	Washer 9/32 x 7/8 x 16 Ga.
53	532 14 52-01	Bracket Pnt. Pick off
54	817 03 08-14	Screw, Lock Spider #8 x 7/8
55	532 14 52-02	Bracket, Grille Pickoff Rh
57	874 78 04-12	Bolt Hex 1/4-20 x 3/4
58	532 15 01-27	Duct Air Engine PL/LT
60	872 14 06-06	Bolt, Rdhd Sqnk 3/8-16 UNC x 3/4
64	532 15 47-98	Dash Lower STLT
74	873 68 06-00	Nut, Crownlock 3/8-16 UNC
140	532 15 05-56	Bracket, Chassis Front
142	532 15 60-95	Plate Reinforcement STLT
143	532 15 49-66	Bracket Chassis Swaybar
144	532 15 42-07	Bracket Footrest STLT
145	532 15 44-29	Brace Axle
146	532 15 43-34	Screw Torx Hd Thd 5/16-18 U NC-2A

NOTE: All component dimensions given in U.S. inches.
1 inch = 25.4 mm

L

DRIVE



L

DRIVE

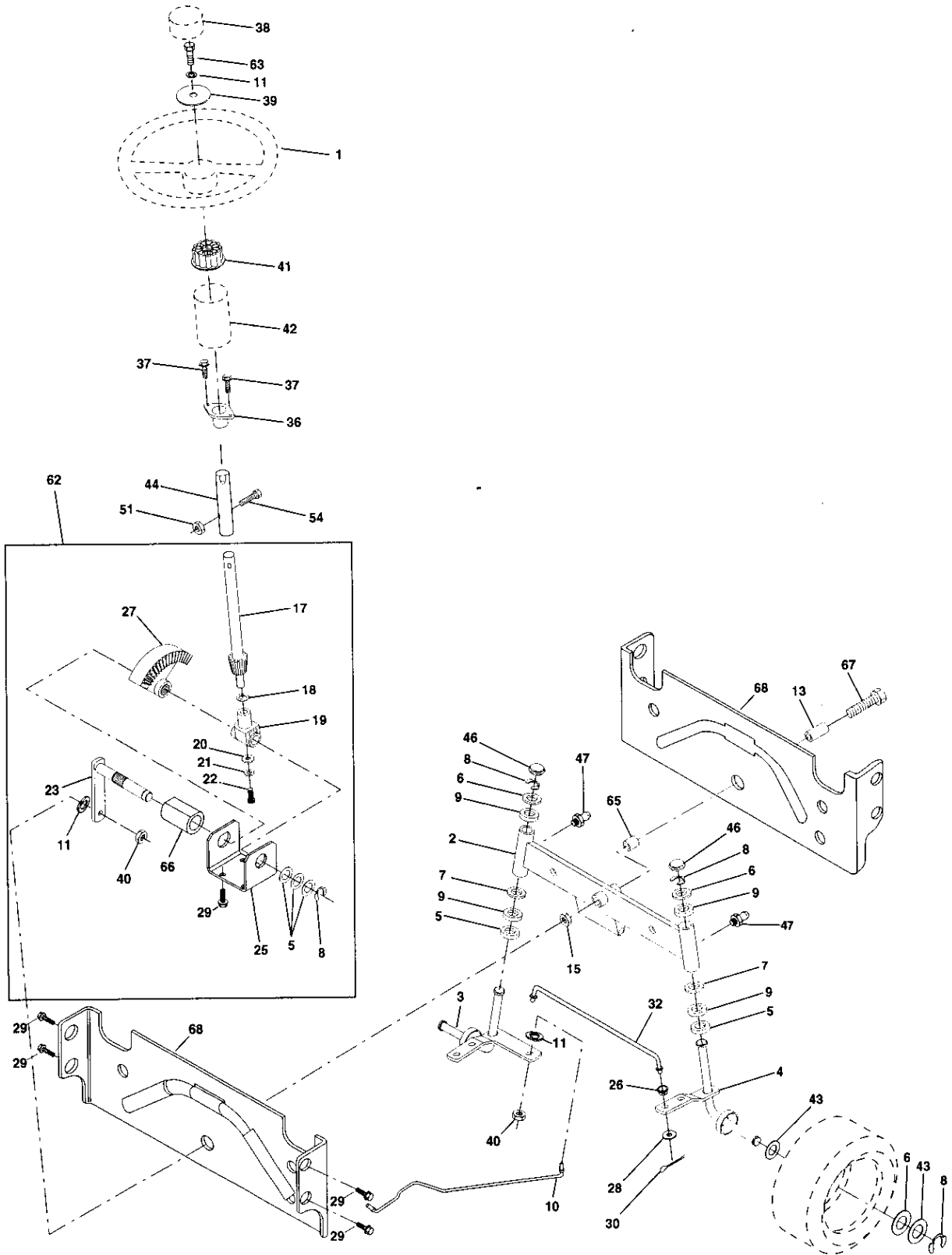
Correction:
~~Key NO. 57. 531 01 31 41~~

KEY NO.	PART NO.	DESCRIPTION	KEY NO.	PART NO.	DESCRIPTION
1	532 15 00-71	Transaxle	56	874 76 06-20	Bolt, Fin Hex 3/8-16 UNC x 1 1/4
2	532 14 24-31	Spring, Return, Brake	57	531 01 31-40	V-Belt, Ground Drive
3	532 14 39-95	Pulley, Transaxle Hydro 750 LT	59	532 14 03-12	Keeper, Center Span
8	532 15 47-92	Rod Shift Fender STLT	60	532 15 47-76	Keeper Belt Engine
9	532 13 71-40	Clutch Electric	61	817 49 06-12	Screw Thdrol. 3/8-16 x 3/4 Ty. TT
10	876 02 04-16	Pin Cotter 1/8 x 1 CAD	62	532 12 48-72	Cover, Pedal Premium
15	874 49 05-44	Bolt Hex 5/16-18 Unc Flghd	63	532 14 01-89	Pulley, Engine
16	873 80 05-00	Nut Lock Hex W/Ins. 5/16-18 Unc P	65	810 04 07-00	Washer Lock Hvy HLCL Spr 7/16
17	532 12 61-97	Washer 1-1/2 OD x 15/32 ID x .250	68	532 15 50-00	Keeper Belt Engine RH
18	874 78 06-16	Bolt Fin Hex 3/8-16 Unc x 1 Gr.5	73	532 15 63-47	Strap Torque Rh Hydro
19	873 80 06-00	Nut Lock Hex W/Ins 3/8-16 Unc	71	532 14 01-58	Strap Torque Lh Hydro 18/20" T
20	532 15 02-80	Bolt, Hex 7/16-20 x 4-1/4 5 Ga. 1.38	74	532 12 11-99	Spacer, Split
21	532 13 05-64	Knob Deluxe 1/2-13 UNC Blk Red	75	532 12 17-49	Washer 25/32 x 1 -1/4 x 1 6 Ga.
22	532 14 56-27	Rod, Brake Hydro	76	812 00 00-01	E-Ring
23	532 13 71-41	Bracket Asm Mtg CL	77	532 12 35-83	Key, Square
24	873 35 06-00	Nut Hex Jam 3/8-16 UNC	78	532 12 17-48	Washer 25/32 x 1-5/8 x 16 Ga
25	532 10 68-88	Spring, Brake Rod	81	532 15 60-46	Shaft Asm. Cross Hydro 20" Tires
26	819 13 13-16	Washer	82	532 12 37-82	Spring Torsion T/A
27	876 02 04-12	Pin Cotter 1/8 x 3/4 CAD.	83	819 17 12-16	Washer 17/32 x 3/4 x 16 Ga
28	532 14 52-04	Rod, Parking Brake	84	532 14 05-48	Rod, Tie Hydro 20" Tires SPH Ball 4.75
29	532 07 16-73	Cap, Parking Brake	86	532 07 12-08	Bushing Rod Strig. 629/632 ID
30	532 13 08-07	Bracket, Transaxle	87	819 21 20-16	Washer 21/32 x 1-1/4 x 16 Ga.
31	532 12 72-75	Keeper Belt Lh	88	812 00 00-08	Ring Klip #5304-62
32	874 76 05-12	Bolt Hex Hd 5/16-18 Unc x 3/4	89	532 15 48-82	Console, Hydro Shift STLT
33	872 14 05-06	Bolt Carriage 5/16-18 UNC x 3/4	90	532 12 43-46	Nut Self Thd Wsh-Hd 1/4 Zinc
34	532 15 50-71	Shaft, Foot Pedal	91	874 78 05-36	Bolt Fin Hex 5/16-18 x 2-1/4
35	532 12 01-83	Bearing, Nylon	92	874 78 05-24	Bolt Fin Hex 5/16-18 Unc x 1-1/2
36	819 21 16-16	Washer	93	532 14 25-64	Line Fuel Hydro 4"
37	532 12 49-63	Pin, Roll	94	532 14 04-62	Fan, Hydro 7"
38	532 12 36-74	Pulley, Idler, Flat	95	532 14 46-43	Control Asm. Bypass Hydro
39	874 76 06-44	Bolt	96	532 12 47-88	Retainer Spring 1" Zinc/Cad
40	532 12 49-65	Spacer Split	97	532 14 04-69	Keeper Belt Rh Hydro 0750.18/20"
41	532 15 47-77	Keeper, Belt Idler	98	873 51 06-00	Nut Keps Hex 3/8-16 Unc
42	819 13 13-12	Washer 13/32 x 13/16 x 1 2 Ga	100	819 11 12-16	Washer 11/32 x 3/4 x 6Ga.
43	819 11 10-12	Washer 11/32 x 5/8 x 12 Ga.	102	532 14 13-22	Washer Belleville .501D x 1.50D
47	532 12 77-83	Pulley, Idler, V-Groove Plastic	103	873 94 08-00	Nut Hex Jam Toplock 1/4-20 Unf
48	532 15 46-04	Bellcrank Assembly	104	532 14 01-56	Arm, Control Hydro
49	532 12 32-05	Retainer, Belt Style Spring	105	871 07 05-16	Screw Cap Hex 5/16 x 18 x 1
50	874 76 06-24	Bolt	106	874 78 05-20	Bolt Fin Hex 5/16-18 Unc x 1-1/4
51	873 68 06-00	Nut	118	532 15 47-74	Spacer Bellcrank
52	873 68 05-00	Nut Crown Lock 5/16-18	121	532 15 44-19	Nyliner Clutching STL
53	532 10 57-10	Link, Clutch			
55	532 10 57-09	Spring, Return, Clutch			

NOTE: All component dimensions give in U.S. inches.
 1 inch = 25.4 mm

H

STEERING ASSEMBLY



H

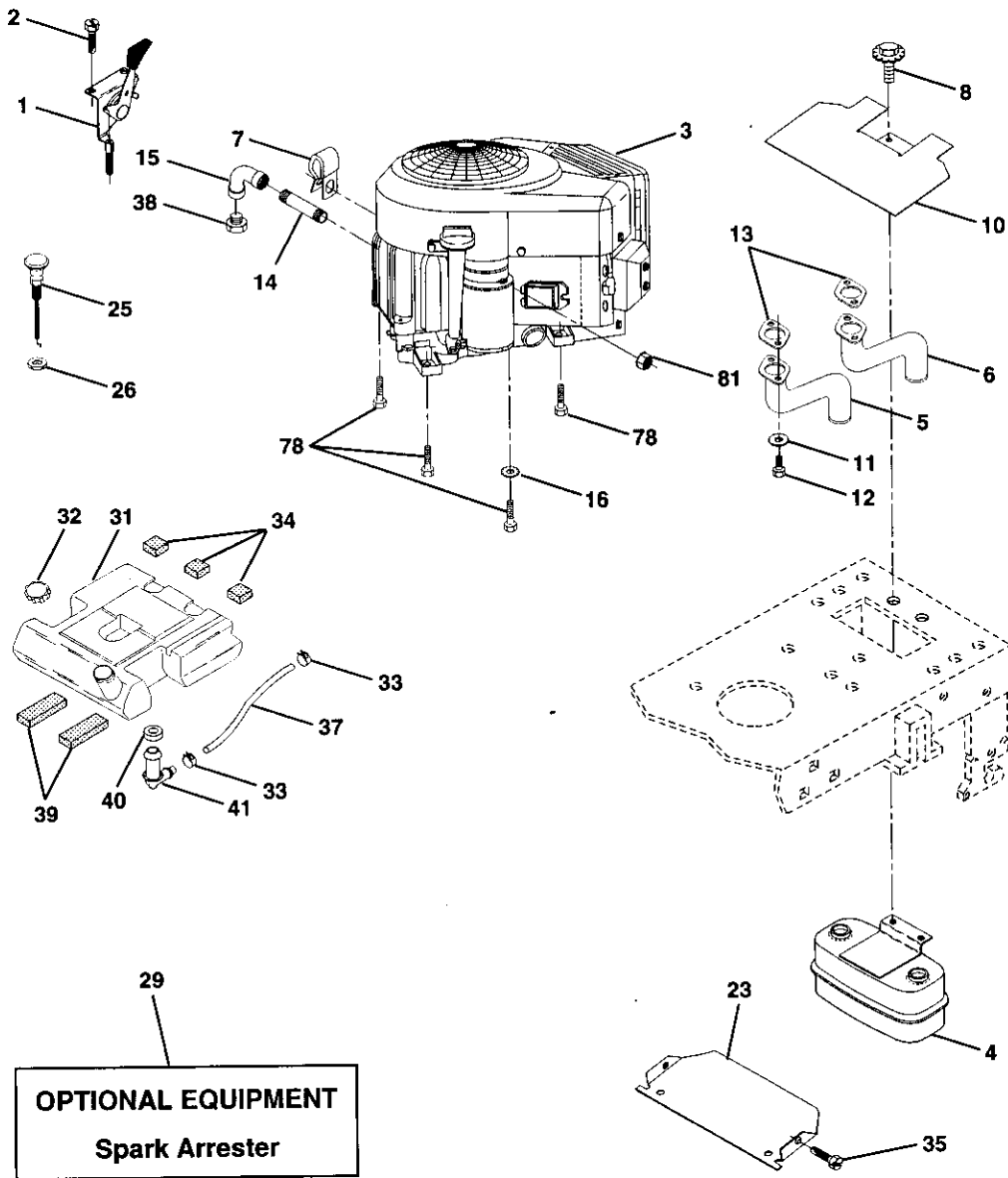
STEERING ASSEMBLY

KEY NO.	PART NO.	DESCRIPTION
1	532 14 00-44	Wheel Steering
2	532 15 44-27	Axle Asm Strmp Dropped STL
3	532 15 44-22	Spindle Asm LH
4	532 15 44-23	Spindle Asm RH
5	532 12 49-31	WasherThrust.75x1.230
6	532 12 17-48	Washer 25/32 X 1-5/8 X 16 Ga
7	819 27 20-16	Washer 27/32 X 1-1/4 X 16 Ga
8	812 00 00-29	Ring Klip #t5304-75
9	532 12 49-37	Bearing Col Strg Blk
10	532 15 64-38	Link Drag Extended Stamped
11	810 04 06-00	Washer Lock Hvy Hlcl Spr 3/8
13	532 15 47-79	Spacer Bearing Axle STLT/GT
15	873 90 10-00	Nut Lock Flange 5/8-11 Unc
17	532 15 65-46	Shaft Asm Strg Private Label
18	532 05 70-79	Washer Thrust 515x 750x 033
19	532 12 40-35	Support Shaft
20	532 12 66-84	Washer Shim 1/4 X 5/8 X 062
21	810 04 04-00	Washer Lock Hvy Helical 1/4
22	871 10 04-10	Screw, Cap Sckt Hd Phos & Oil
23	532 15 63-65	Shaft Asm Pittman
25	532 15 44-06	Bracket Steering
26	532 12 68-47	Bushing Link Drag Blk Lr
27	532 13 68-74	Gear Sector
28	819 13 14-16	Washer 1 3-32 x 7/8 x 1 6 Ga.
29	817 49 06-12	Screw Thdrol 3/8- 1 6x3/4 Ty-tt
30	876 02 04-12	Pin Cotter 1/8 x 3/4 Cad
32	532 13 04-65	Rod Tie Wire Form 19.75 Mech
36	532 15 50-99	Bushing Strg
37	532 15 29-27	Screw TT #10-32.5.3/8 Flange
38	532 14 00-45	Insert Cap Strg Wh
39	819 13 38-08	Washer 13/32 X 2-3/8 X 8 Ga
40	532 12 47-01	Nut Lock Center 3/8-24unf
41	532 10 07-11	Adaptor Wheel Strg 758/753 ID
42	532 14 50-54	Boot Steering Dash
43	532 12 17-49	Washer 25/32 X 1 1/4 X 16 Ga
44	532 15 37-20	Extention Steering
46	532 12 12-32	Cap Spindle Fr Top Blk
47	532 12 48-36	Fitting Grease
51	873 80 05-00	Nut Lock Hex w/Ins 5/1 6-1 8
54	874 78 05-20	Bolt Fin Hex 5/16-18 Unc x 1-1/4
62	532 15 65-94	Kit, Steering Assembly
63	874 78 06-16	Bolt, Fin Hex 3/8-16 UNC x 1 Gr. 5
65	532 15 47-80	Spacer Axle
66	532 15 44-04	Bearing Arm Pittman
67	874 78 10-44	Bolt, Fin Hex 5/8-11 UNC x 2-3/4

NOTE: All component dimensions given in U.S. inches.
1 inch = 25.4 mm.

F

ENGINE



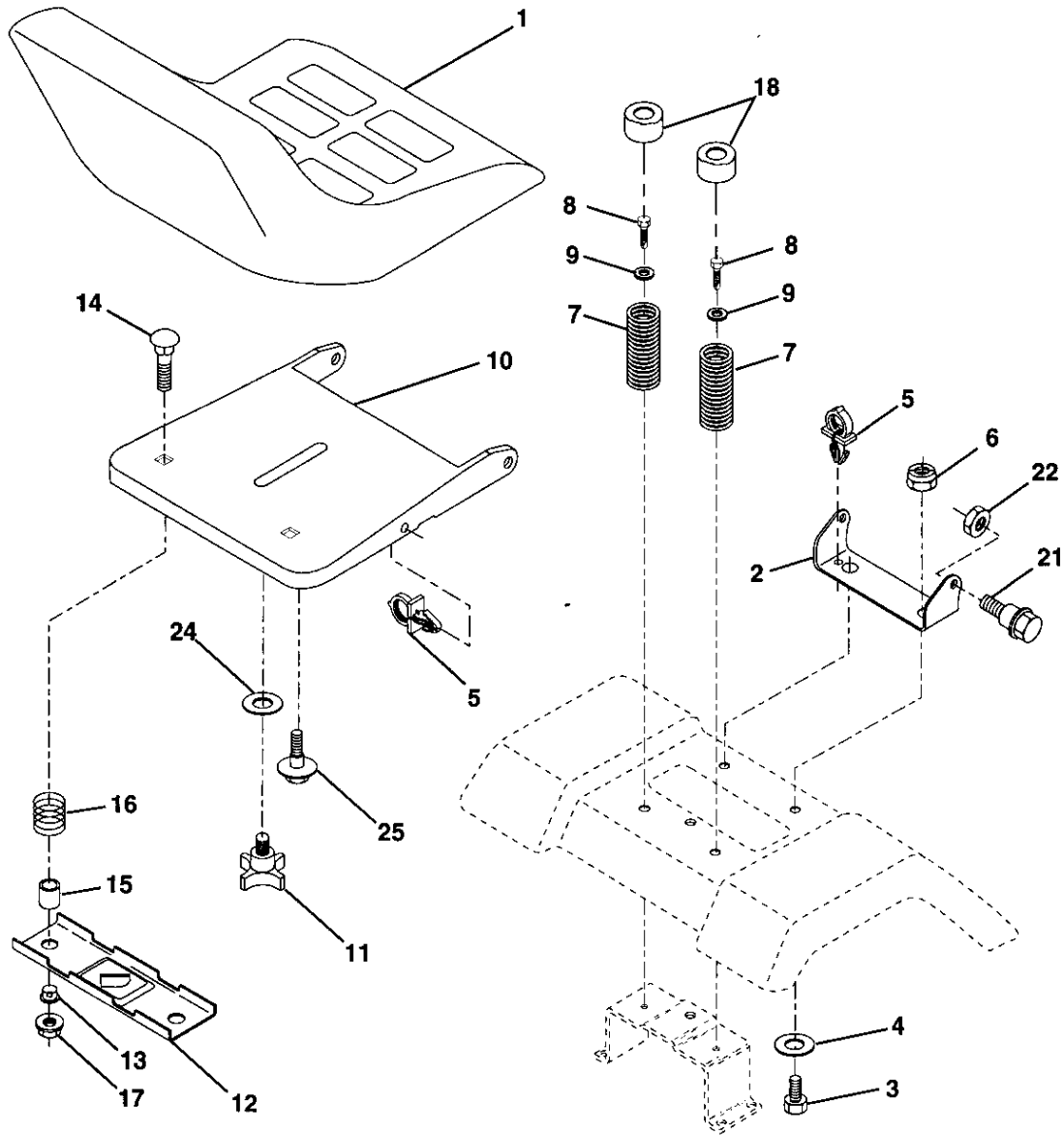
KEY NO.	PAT NO.	DESCRIPTION
1	532 14 88-75	Control Throt
2	817 72 04-10	Screw Hex Thd Cut 114-20x5/8 T Engine
4	532 14 97-23	Muffler Twin Lo-Twin
5	532 12 24-34	Tube, Manifold Lh
6	532 12 24-35	Tube, Manifold Rh
7	532 13 81-29	Clamp
8	532 15 01-76	Bolt 5/16-18 Unc x 3/4 w/Sems
10	532 14 55-52	Shield Heat LT
11	-----	Washer Lock Hvy Hlcl 1/4 (Order from Engine Manufacturer)
12	-----	Bolt, Fin Hex 1/4-20 x 3/4 (Order from Engine Manufacturer)
13	-----	Muffler Gasket (Order from Engine Manufacturer)
14	813 28 03-36	Nipple Pipe 3/8 Npt X 4-1/2"
15	813 20 03-00	Elbow Std 90 Degree 3/8-18 Npt
16	811 05 06-00	Washer Lock Ext Tooth 3/8

KEY NO.	PART NO.	DESCRIPTION
23	532 15 61-23	Shield Browning
25	532 14 59-96	Choke Control 37"
26	873 92 06-00	Nut, Keps 3/8-24 Unf
29	532 13 71-80	Kit Spark Arrestor (Flat Scrn)
31	532 15 36-30	Tank Fuel 3 50 STLTLT w/o Sensor
32	532 14 05-27	Cap Asm Fuel W/sym Vented
33	532 12 34-87	Clamp Hose Blk
34	532 10 60-82	Pad, Spacer
35	817 49 05-12	Screw Thdrol 5/16-18 x 3/4
37	532 14 21-58	Line Fuel 54"
38	-----	Plug Oil Drain (Order From Engine Manufacturer)
39	532 10 92-27	Pad, Idler
40	532 12 49-52	Bushing
41	532 13 92-77	Stem Tank Fuel
78	817 49 06-20	Screw, Thdrol 3/8-16x1-1/4 Tytt
81	532 12 88-61	Nut Flange 1/4-20 Starter Nut

NOTE: All component dimensions given in U.S. inches.
1 inch = 25.4 mm

C

SEAT ASSEMBLY



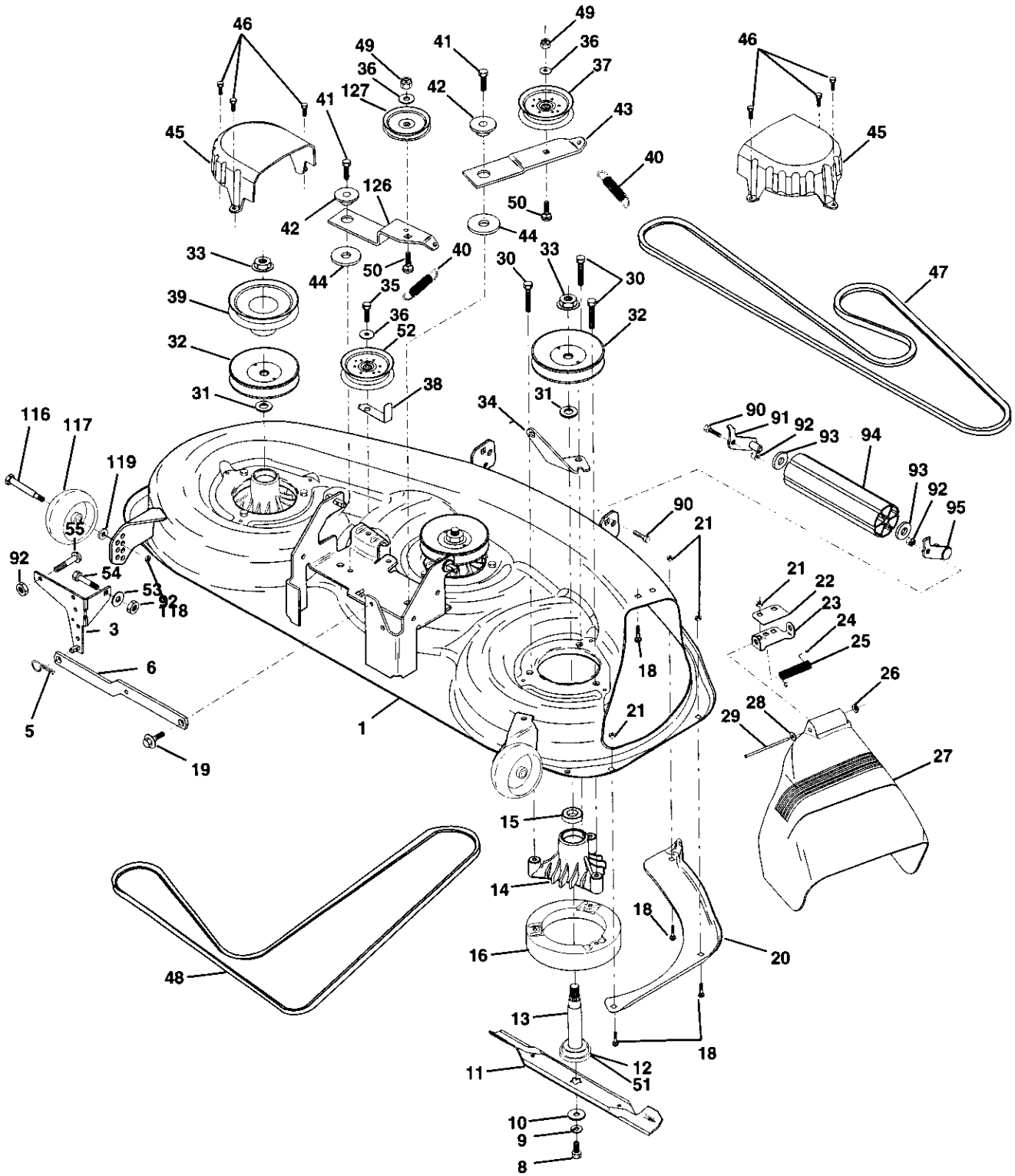
KEY NO.	PART NO.	DESCRIPTION
1	532 12 74-40	Seat
2	532 14 05-51	Bracket Pivot Seat 8 720
3	874 76 06-16	Bolt Fin Hex 3/8-16 UNC x 1
4	819 13 16-10	Washer 13/32 x 1 x 10 Ga.
5	532 14 50-06	Clip Push-in Hinged
6	873 80 06-00	Nut Lock Hex w/Inx 3/8-16 UNC
7	532 12 41-81	Spring Seat Cprsn 2 250 Blk Zi
8	817 49 06-16	Screw Thdrol 3/8-16 x 1 TY-TT
9	819 13 16-14	Washer 13/32 x 1 x 14 Ga.
10	532 14 05-52	Pan Seat
11	532 12 00-68	Knob Seat 1/2-13unc Blk

KEY NO.	PART NO.	DESCRIPTION
12	532 12 12-46	Bracket Mounting Switch
13	532 12 12-48	Bushing Snap Blk Nyl 50 id
14	872 05 04 11	Bolt Rdhd Sht Nk 1/4-20x1-3/8
15	532 12 12-49	Spacer Split 28x 88 Yel Zinc
16	532 12 37-40	Spring Cprsn 1 310 Blk Pnt
17	532 12 39-76	Nut Lock 1/4 Lge Fig Or 5 Zinc
18	532 12 42-38	Cap Spring Seat
21	532 15 32-36	Bolt Shoulder 5/16-18 Unc 1-2A
22	873 68 05-00	Nut Crown Lock 5/16-1 8
24	819 17 19-12	Washer 17/32 X 1 -3/16 X 12 Ga
25	532 12 70-18	Bolt Shoulder 5/1 6-18 X 62

NOTE: All component dimensions given in U.S. inches.
1 inch = 25.4 mm

M

MOWER DECK



M

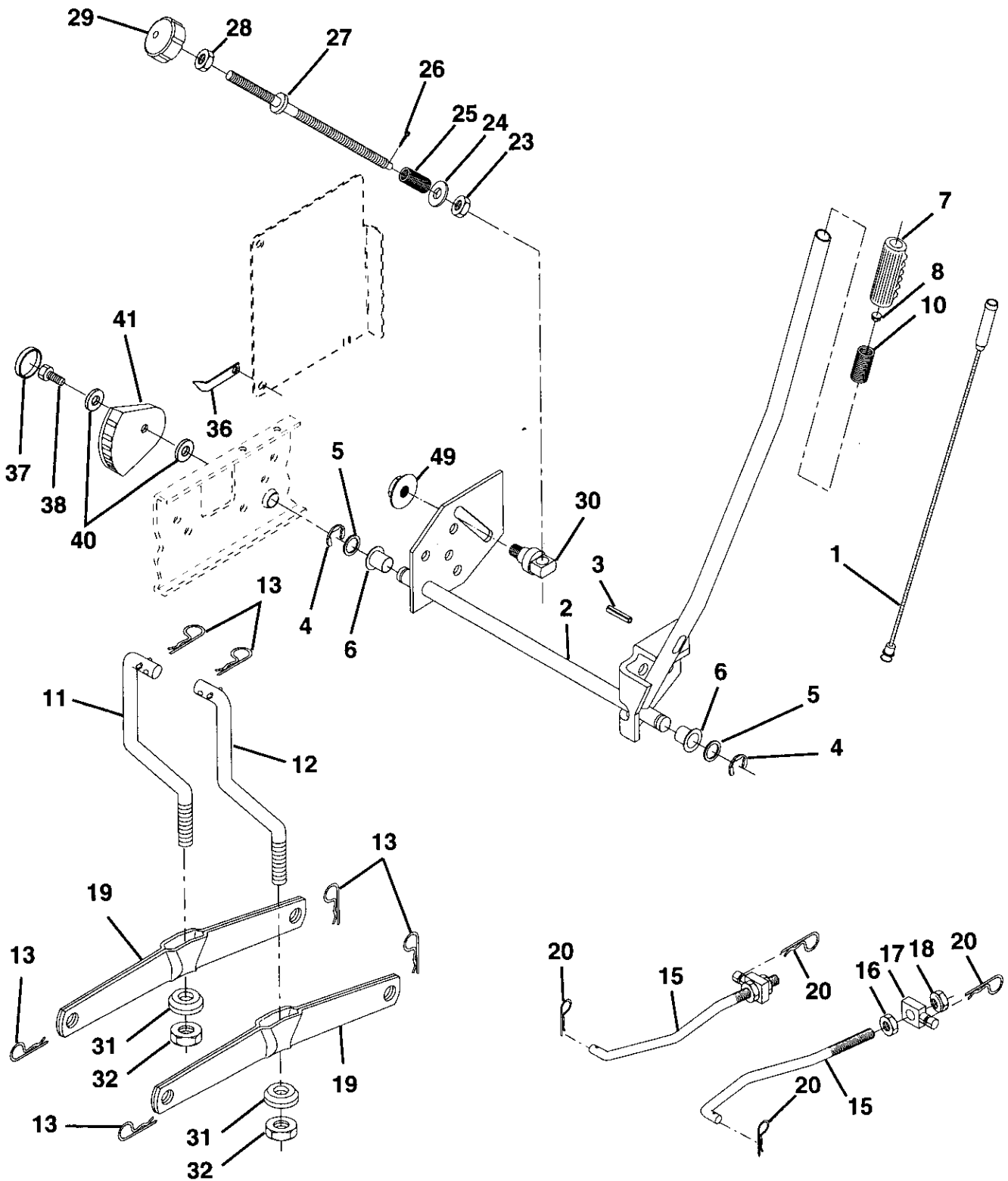
MOWER DECK

KEY NO.	PART NO.	DESCRIPTION	KEY NO.	PART NO.	DESCRIPTION
1	532 15 31-25	Deck Asm., Mower 46"	39	532 14 49-17	Pulley, Idler, Driven
3	532 13 84-57	Bracket Asm., Sway Bar	40	532 13 72-73	Spring, Secondary 44/46/SOvent
5	532 12 46-70	Retainer Spring	41	817 49 06-20	Screw, Thdroll 3/8-16x1-1/4 Tytt
6	532 13 08-32	Arm, Suspension, Rear (Sway Bar)	42	532 12 20-52	Spacer, Retainer
8	532 85 08-57	Bolt, Patched 3/8-24 x 1-1/4 Gr. 8	43	532 14 49-49	Arm, Idler Secondary
9	810 03 06-00	Washer, Lock Hvy., Unplated 3/8	44	532 13 39-43	Washer, Hardened
10	532 14 02-96	Washer, Hard Blade, Mower Vented	45	532 14 50-59	Cover, Mandrel Deck
11	532 14 47-67	Blade, 46" Hi Perf	46	532 13 77-29	Screw, Thdroll. 1/4-20 x 5/8
12	532 12 98-95	Bearing, Ball, Mandrel #6204	47	532 14 49-59	V-Belt, Mower, Secondary
13	532 13 75-53	Shaft Asm. w/Lower Bearing (Includes Key No. 12)	48	532 14 87-63	V-Belt, Mower, Primary
14	532 13 71-52	Housing, Mandrel	49	873 68 06-00	Nut, Crownlock 3/8-16 UNC
15	532 11 04-85	Bearing, Ball, Mandrel	50	872 11 06-12	Bolt, Carriage 3/8-16 x 1-1/2 Gr. 5
16	532 14 03-29	Stripper, Mower Round	51	532 15 33-90	Washer Felt
18	872 14 05-05	Bolt, Carriage 5/16-18 x 5/8	52	532 15 51-91	Pulley Idler Flat 46 Pri Drive
19	532 13 28-27	Bolt, Hex Head, Shoulder 5/16-18	53	819 13 13-12	Washer 13/32 x013/16 x 12 Ga.
20	532 14 50-55	Baffle, Vortex Mower 46"	54	874 78 06-16	Bolt, Fin Hex 3/8-16 x 1 Gr. 5
21	873 68 05-00	Nut, Crownlock 5/16-18 UNC	55	872 14 06-08	Bolt Rdhd Sqnk 3/8-16 UNC x 1
22	532 13 47-53	Stiffener, Bracket	90	874 76 06-16	Bolt Fin Hex 3/8-16 UNC x 1
23	532 13 12-67	Bracket, Deflector	91	532 13 22-74	Bracket Asm Noseroller LH
24	532 10 53-04	Cap, Sleeve	92	873 80 06-00	Nut Lock Hex W/Ins 3/8-16 UNC
25	532 12 37-13	Spring, Torsion, Deflector	93	819 17 14-16	Washer 17/32 x 7/8 16 Ga.
26	532 11 04-52	Nut, Push	94	532 13 22-64	Roller Nose 38 & 42
27	532 14 53-25	Shield, Deflector Mower	95	532 13 22-73	Bracket Asm Noseroller RH
28	819 11 10-16	Washer 11/32 x 5/8 x 16Ga.	116	532 14 68-51	Bolt, Shoulder
29	532 13 14-91	Rod, Hinge	117	532 14 68-50	Gauge Wheel
30	532 13 87-76	Screw, Hex Head, Thdroll	118	873 93 06-00	Nut, Centerlock 3/8-16 UNC
31	532 12 99-63	Washer, Spacer Mower Vented	119	819 12 14-14	Washer 3/8 x 7/8 x 14 Ga.
32	532 15 35-31	Pulley, Mandrel	126	532 14 49-48	Arm, Idler, Primary Deck 46"
33	532 13 72-66	Nut, Flg. Top Lock Cntr. 9/16	127	532 14 67-63	Pulley, Idler, V-Groove Dim. 4.25
34	532 14 49-45	Anchor, Spring Deck 46"	--	532 15 05-39	Mower Serv. 46" w/GWB Symbols
35	817 49 06-28	Screw, Thdroll 3/8-16 x 1-3/4 Tytt	--	532 14 36-51	Mandrel Asm (includes key #'s 8-10, 12-15, 31 and 32)
36	819 13 13-16	Washer 1 3/32 x 1 3/16 x 16 Ga.			
37	532 13 14-94	Pulley, Idler, Flat			
38	532 13 75-54	Keeper, Belt, Idler			

NOTE: All component dimensions given in U.S. inches
1 inch = 25.4 mm

O

MOWER LIFT



O

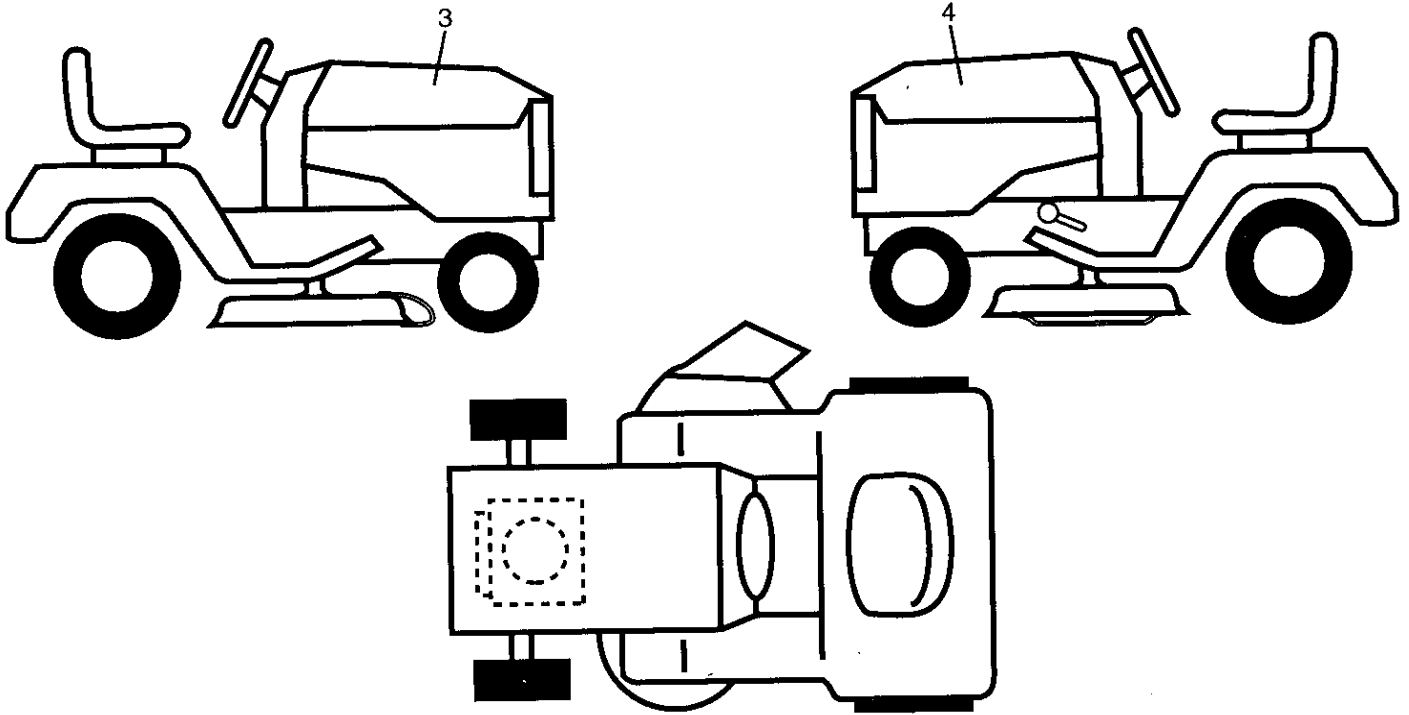
MOWER LIFT

KEY NO.	PART NO.	DESCRIPTION
1	532 13 69-73	Wire Asm Inner W/plunger 17.32
2	532 14 51-17	Shaft Asm Lift RH w/Inf W/T
3	532 10 57-67	Pin Groove 1 500 Zinc
4	812 00 00-02	E Ring #5133-62
5	819 21 16-21	Washer 21/32 X 1 X 21 Ga
6	532 12 01-83	Bearing Nylon Blk 629 Id
7	532 10 94-13	Grip Handle Bicycle
8	532 12 45-26	Button Plunger Black
10	532 12 25-12	Spring Cprsn 3 750 Oiled
11	532 13 98-65	Link Lift LH Fixed Length
12	532 13 98-66	Link Lift RH Fixed Length
13	532 12 46-70	Retainer Spring
15	532 12 72-18	Link Front
16	873 35 08-00	Nut Jam Hex 1/2-13 Unc
17	532 13 01-71	Trunnion Blk Zinc
18	873 80 08-00	Nut Lock W/wsh 1/2-13unc
19	532 13 98-68	Arm Suspension Rear
20	532 12 46-60	Retainer Spring
23	532 11 08-07	Nut Special
24	819 13 10-16	Washer 13/32 X 5/8 X 16 Ga
25	532 12 48-74	Spring 2-1/8"
26	876 02 03-08	Pin Cotter 3/32 X 1/2
27	532 12 69-71	Rod Adj Lift Zinc 7.49 Wrk Lg
28	873 35 06-00	Nut Hex Jam 3/8-16 Unc
29	532 13 80-57	Knob Inf 3/8-16 Unc Blk W/sym
30	532 15 02-33	Trunnion Infin Height
31	532 14 03-02	Bearing Pvt Lift Spherical
32	873 54 06-00	Nut Crownlock 3/8-24
36	532 15 50-97	Pointer Height ind
37	532 12 39-35	Plug Hole Blk 1.485/1.515 Dia.
38	817 49 05-12	Screw Thdrol 5/16-18 x 3/4
40	819 11 24-10	Washer 11/32 x 1-1/2 10 Ga.
41	532 15 50-98	Ind. Height STLT
49	532 14 52-12	Nut Hexflange Lock

NOTE: All component dimensions given in U.S. inches
1 inch = 25.4 mm

R

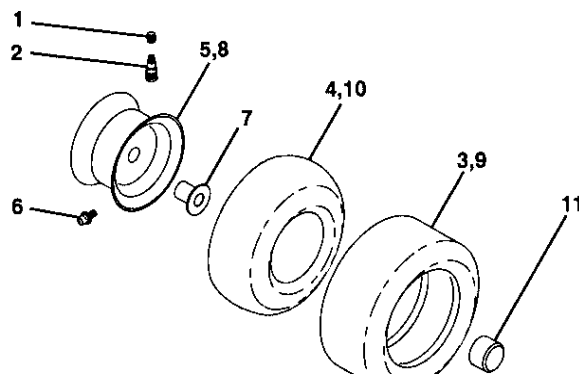
DECALS



KEY NO.	PART NO.	DESCRIPTION
3	532 15 22-47	Decal Hood RH
4	532 15 22-48	Decal Hood LH

R

WHEELS & TIRES



KEY NO.	PART NO.	DESCRIPTION
1	532 05 91-92	Cap Valve Tire
2	532 06 51-39	Stem Valve
3	532 10 62-22	Tire F Ts 15 X 60 - 6 Service
4	532 05 99-04	Tube Front (Service Item Only)
5	532 13 83-36	Rim Asm 6" front Silver Service
6	532 12 49-57	Fitting Grease (Front Wheel Only)
7	532 12 49-59	Bearing Flange (Front Wheel Only)
8	532 13 83-37	Rim Asm 8"rear Silver Service
9	532 12 20-82	Tire R Ts 20 10 C Service
10	532 12 49-26	Tube Rear (Service Item Only)
11	532 10 47-57	Cap, Hub Axle Blk 1.50 x 1.00

NOTE: All component dimensions given in U.S. inches
1 inch = 25.4 mm