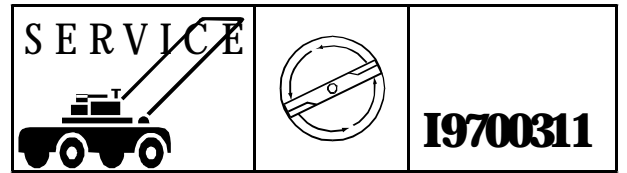


Jonsered



IPL, LT15 42", 1997.04.16-01, 108 07 06-16

LT15 42"

Spare parts

Ersatzteile

Pièces détachées

Reserve onderdelen

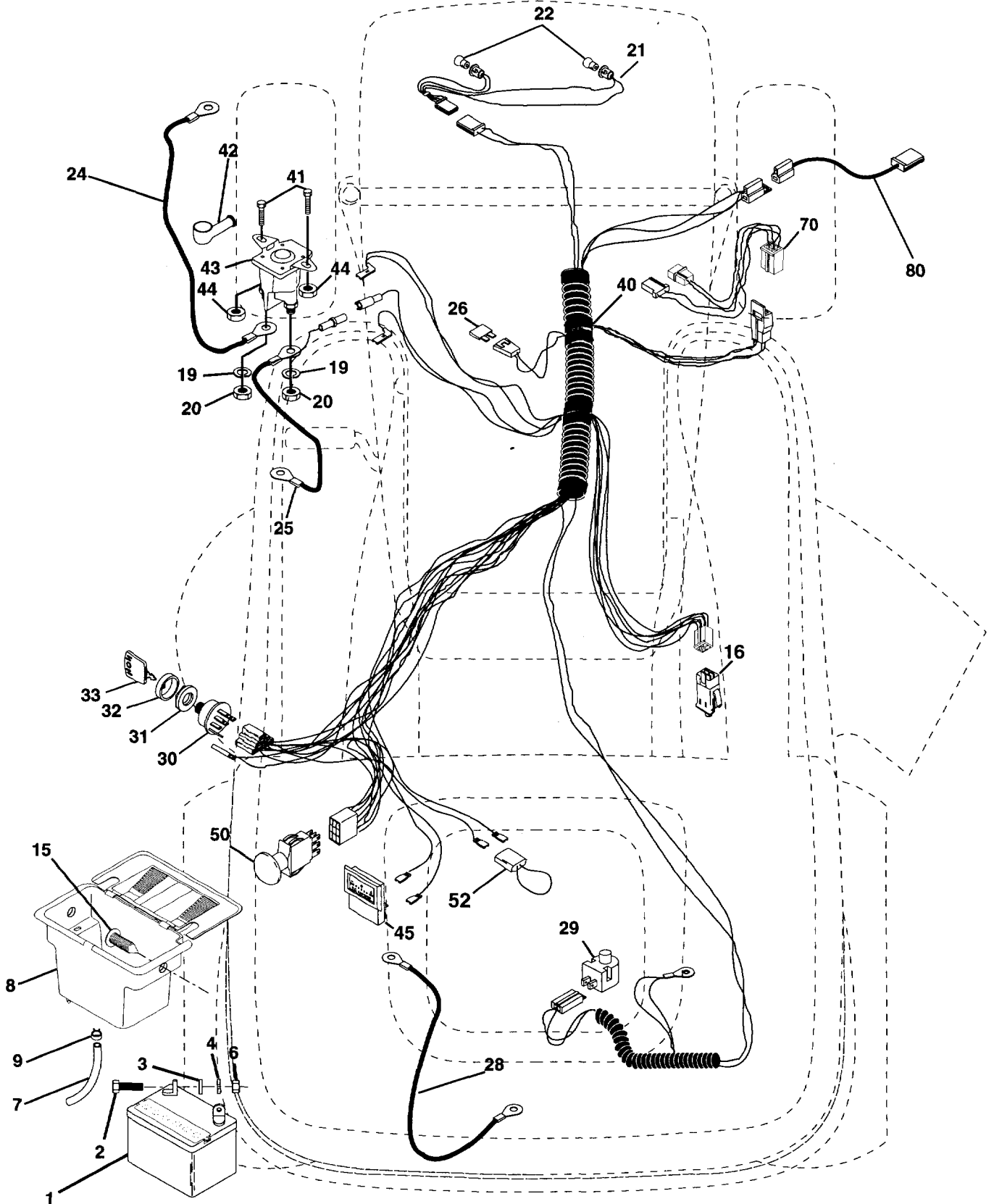
Repuestos

Reservdelar

Product No: 954 13 00-03

P

ELECTRICAL



P

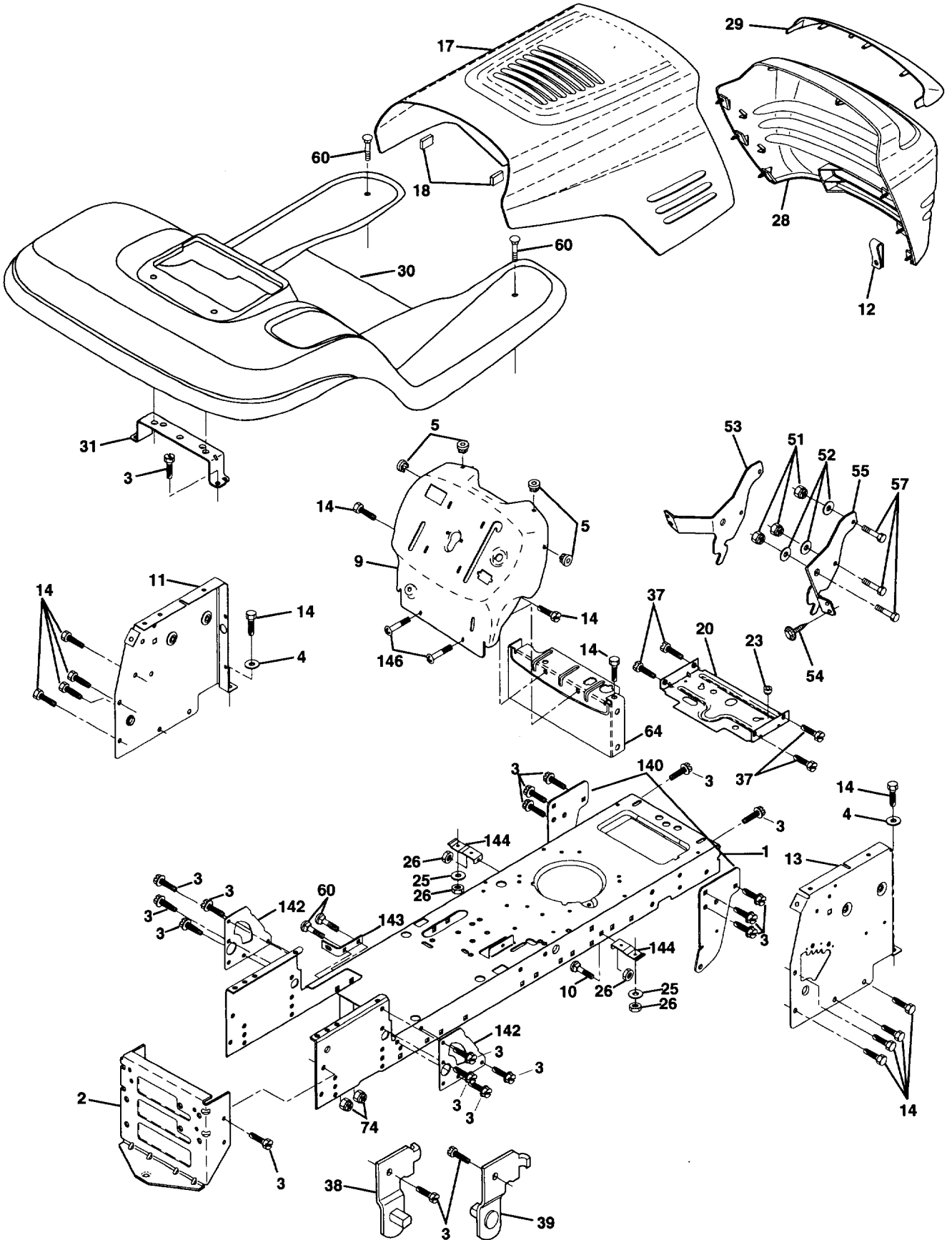
ELECTRICAL

KEY NO.	PART NO.	DESCRIPTION
1	532 12 38-99	Battery 12 Volt 25 AMP Wet Acme
2	874 76 04-12	Bolt Hex Hd 1/4-20unc X 3/4
3	819 09 10-16	Washer 9/32 X 5/8 X 16 Ga.
4	810 04 04-00	Washer Lock Hvy Helical 1/4
6	873 22 04-00	Nut Fin Hex 1/4-20 Unc
7	532 10 92-38	Tube Plastic 12"
8	532 15 64-17	Case Mech. Hinge
9	532 10 95-96	Clamp Hose Olive
16	532 15 36-64	Switch Interlock Push-In
19	810 09 04-00	Washer Lock 1/4
20	873 35 04-00	Nut Jam Hex 1/4-20 Unc
21	532 14 74-30	Harness Asm Light W/4152j
22	532 00 41-52	Bulb Light #1156
24	532 12 47-80	Cable Battery 6 Ga 11 " red
25	532 14 61-47	Cable Battery 6 Ga 22" w/16W
26	532 10 88-24	Fuse 30 AMP Auto Green
28	532 12 47-73	Cable Ground 12" Blk 6 Ga 90T
29	532 12 13-05	Switch Plunger Nc Gray
30	532 14 03-01	Switch Ign 4 pos w/lights
31	532 12 42-11	Nut Ignition
32	532 14 12-26	Cover Sw Ignition
33	532 12 21-47	Key Ign Modledeed Generic
40	532 15 64-43	Harness Ign. STL Elec. Cl Am Hm
41	871 11 04-08	Bolt Blk Fin Hex 1/4 - 20 x 1/2
42	532 13 15-63	Cover Terminal Red
43	532 14 56-73	Solenoid
44	873 64 04-00	Nut Keps Hex 1/4-20 Unc
45	532 12 14-33	Ammeter Rectangular 16 Amp
50	532 15 49-59	Switch PTO 3 PTD Black
52	532 14 19-40	Protection Wire Loop
70	532 14 04-22	Harness, Eng.
80	532 14 66-85	Harness Clutch Evx

NOTE: All component dimensions given in U.S. inches.
1 inch = 25.4 mm.

A

CHASSIS AND ENCLOSURES



A

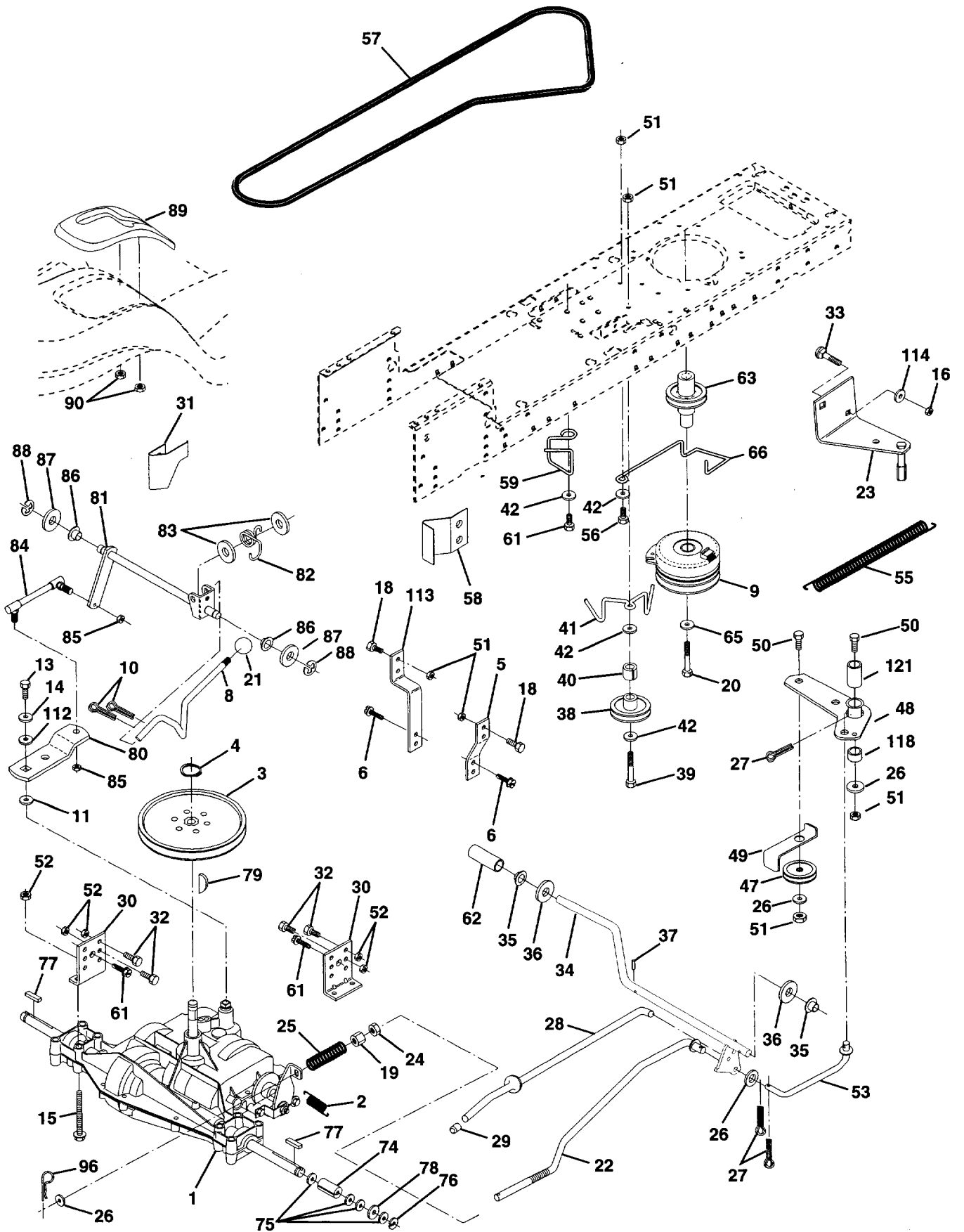
CHASSIS AND ENCLOSURES

KEY NO.	PART NO.	DESCRIPTION
1	532 15 38-71	Chassis Stamping STLT
2	532 14 03-56	Drawbar, Stretch
3	817 49 06-12	Screw Thdrol 3/8-16x3/4 Ty-tt
4	819 13 12-16	Washer 13/32 x 3/4 x 16 Ga.
5	532 15 52-72	Bumper Hood/Dash
9	532 15 67-92	Dash Slkscr PLM STL E W/A N/HM
10	872 14 06-08	Bolt Carriage 3/8-16 x 1
11	532 14 69-56	Panel Pnt Dash Lh
12	532 14 56-60	Clip Tinnerman Grille P/L
13	532 14 69-62	Panel AsmDash Rh
14	817 49 06-08	Screw Thdrol 3/8-16x1/2 Ty-tt
17	532 15 07-60	Hood
18	532 12 69-38	Bumper, Hood
20	532 15 64-37	Plate Mtg. Battery Fuel Tank
23	532 12 40-28	Bushing
25	819 13 13-12	Washer 13/32 X 13/16 X 12 Ga
26	873 80 06-00	Nut Lock, H W/Ins 3/8-16 Unc
28	532 15 06-71	Grille w/Clips MS 505
29	532 14 51-99	Lens Grille
30	532 15 67-93	Fend/Ftrest Prt STL N/CH MS 505
31	532 13 99-76	Bracket Pnt Fender
37	817 49 05-08	Screw Thdrol 5/16-18 X1/2
38	532 13 98-86	Bracket, Asm. Pivot, L.H., Mower Rear
39	532 13 98-87	Bracket, Asm. Pivot, R.H., Mower Rear
51	873 80 04-00	Nut Lock Hex W/Ins 1/4-20
52	819 09 14-16	Washer 9/32 x 7/8 x 16 Ga.
53	532 14 52-01	Bracket Pnt. Pickoff Lh
54	817 03 08-14	Screw Lock Spider #8 x 7/8
55	532 14 52-02	Bracket Grille Pickoff Rh
57	874 78 04-12	Bolt Hex 1/4-20 x 3/4
60	872 14 06-06	Bolt RdHd Sqnk 3/8-16 Unc x 3/4
64	532 15 47-98	Dash Lower STLT
74	873 68 06-00	Nut Crownlock 3/8-16 Unc
140	532 15 05-56	Bracket Chassis Front 7 Ga.
142	532 15 60-95	Plate Reinforcement STLT
143	532 15 49-66	Bracket Swaybar Chassis
144	532 15 42-07	Bracket, Footrest, STLT
146	532 15 43-34	Screw Torx Hd Thd 5/16-18un-2A
--	532 00 54-79	Plug Button

NOTE: All component dimensions given in U.S. inches.
1 inch = 25.4 mm

L

DRIVE



L

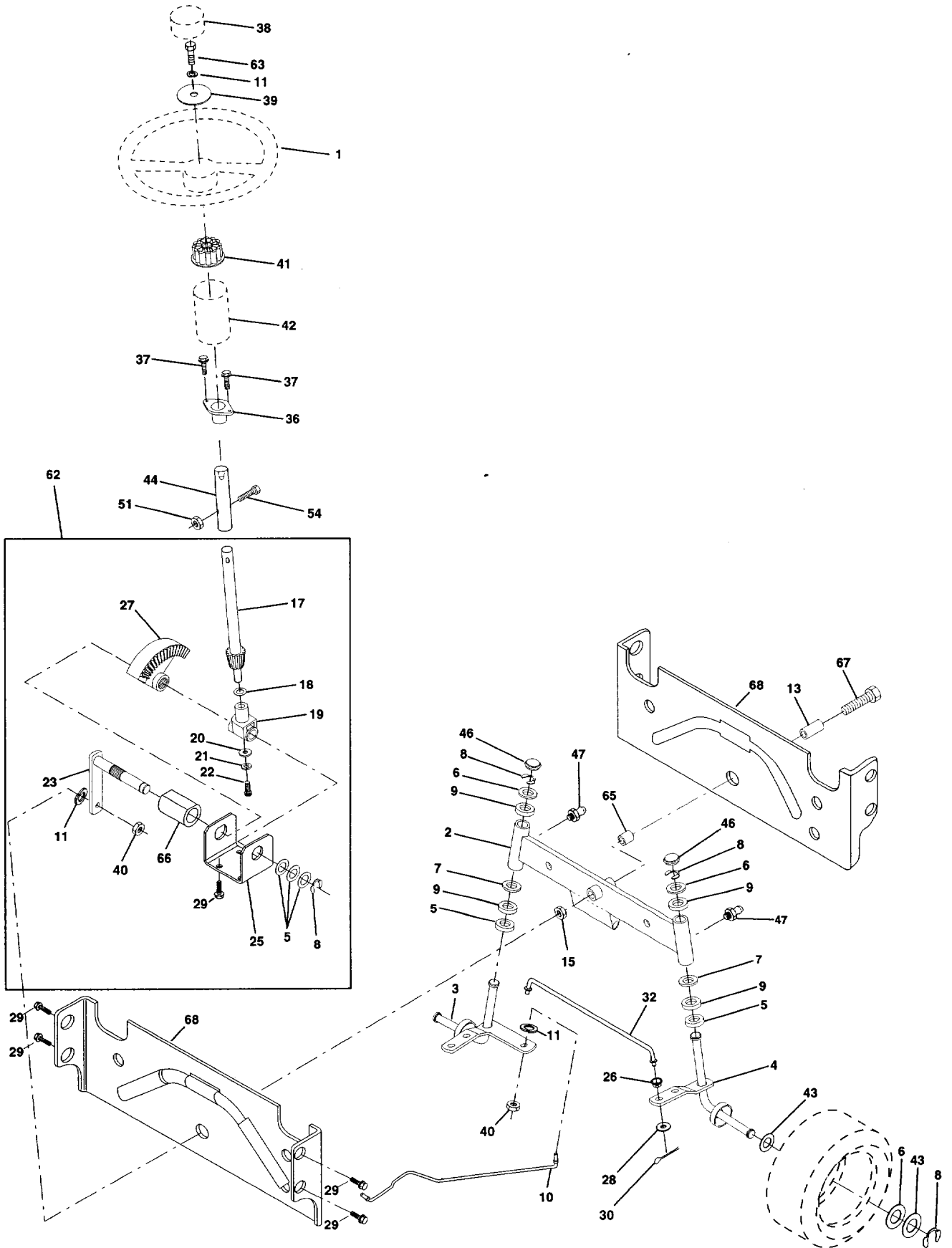
DRIVE

KEY NO.	PART NO.	DESCRIPTION	KEY NO.	PART NO.	DESCRIPTION
1	-----	Transaxle	49	532 12 32-05	Retainer Belt Style Spring
2	532 14 66-82	Spring Return Brake	50	874 76 06-24	Bolt Hex Hd 3/8-16unc X 1-1/2
3	532 12 36-66	Pulley Transaxle 20"tires	51	873 68 06-00	Nut Crownlock 3/8-16 Unc
4	812 00 00-28	Ring Retainer # 5100-62	52	873 68 05-00	Nut Crownlock 5/16- 18
5	532 12 15-20	Strap Torque 30 Degrees	53	532 10 57-10	Link Clutch 7 66
6	817 49 05-12	Screw Thdrol 5/16-18 X 3/4 TYT	55	532 10 57-09	Spring Return Clutch 6 75
8	532 15 47-92	Rod Shifter	56	874 76 06-20	Bolt Fin Hex 3/8-16 UNC x 1-1/4
9	532 14 50-28	Clutch Electric	57	531 01 31-36	V-Belt Ground Drive 95 25 42"
10	876 02 04-16	Pin Cotter 1/8 X 1 Cad	58	532 12 72-74	Keeper Belt RH LT Pnt/zinc 169
11	532 10 57-01	Washer Plate Shf 388 Sq Hole	59	532 14 03-12	Keeper Belt Chassis Span Ctr
13	874 55 04-12	Bolt 1/4 UNF Gr 8 W/Patch	61	817 49 06-12	Screw Thdrol 3/8-16x3/4 Ty-tt
14	810 04 04-00	Washer Lock Hvy Helical 1/4	62	532 12 48-72	Cover Pedal
15	874 49 05-44	Bolt Hex FLGHD 5/16-18	63	532 14 58-68	Engine Pulley LT/YT
16	873 80 05-00	Nut Lock Hex w/Ins. 5/16-18 UNC	65	810 04 07-00	Washer Lock Hvy Hlcl Spr 7/16
18	874 78 06-16	Bolt Fin Hex 3/8-16 UNC x 1 Gr. 5	66	532 15 47-78	Keeper Belt Engine LH LT
20	532 15 02-80	Bolt, Hex 7/16-20 x 4-1/4	74	532 13 70-57	Spacer Axle
21	532 13 05-64	Knob, Deluxe	75	532 12 17-49	Washer 25/32 X 1 1/4 X 16Ga
22	532 13 08-04	Rod Brake Blk Zinc 27 326	76	812 00 00-01	E-ring #5133-75
23	532 14 59-78	Bracket Asm. Clutch	77	532 12 35-83	Key Square 2 0 X 1845/ 1865
24	873 35 06-00	Nut Hex Jam 3/8-16 Unc	78	532 12 17-48	Washer 25/32 X 1-5/8 X 16 Ga
25	532 10 68-88	Spring Rod Brake 2 00 Zinc	79	532 12 50-96	Key Woodruff #9. 3/16 x 3/4
26	819 13 13-16	Washer 13/32 X 13/16 X 16 Ga	80	532 14 50-90	Arm Shift Transaxle
27	876 02 04-12	Pin Cotter 1/8 X 3/4 Cad	81	532 15 60-49	Shaft Asm Cross
28	532 14 52-04	Rod Brake Parking	82	532 12 37-82	Spring Torsion T/a
29	532 07 16-73	Cap Brake Parking Black	83	819 17 12-16	Washer 17/32 X 3/4 X 16 Ga
30	532 13 08-07	Bracket Mtg Transaxle	84	532 14 56-43	Rod Tie 20" P930 LT
31	532 12 72-75	Keeper Belt LH LT 14 Ga	85	532 15 03-60	Nut Lock Center 1/4-28 FNTHD
32	874 76 05-12	Bolt Hex Hd 5/16-18unc X 3/4	86	532 07 12-08	Bushing Rod Strg 629/632 Id
33	872 14 05-06	Bolt, Carriage 5/16-18 x 3/4	87	819 21 20-16	Washer 21/32X 1-1/4 X 16Ga
34	532 15 50-71	Shaft Asm Pedal Foot	88	812 00 00-08	Ring Klip #5304-62
35	532 12 01-83	Bearing Nylon Blk 629 Id	89	532 15 48-86	Console Shift
36	819 21 16-16	Washer 21/32 X 1 X 16 Ga	90	532 12 43-46	Nut Self-thd wsh-hd 1/4 zinc
37	532 12 49-63	Pin Roll 3/16 X 1"	96	532 12 47-88	Retainer Spring Gr. 5
38	532 12 36-74	Pulley Idler Flat	112	819 09 12-10	Washer 9/32 x 3/4 x 10 Ga.
39	874 76 06-44	Bolt Fin Hex 3/8-16unc X 2-3/4	113	532 12 72-85	Strap Torque LT
40	532 12 49-65	Spacer Split 395 X 59 Bzp	114	819 11 12-14	Washer 11/32 x 3/4 x 14 Ga.
41	532 15 47-77	Keeper Belt Idler	118	532 15 47-74	Spacer Bellcrank
42	819 13 13-12	Washer 13/32 X 13/16 X 12 Ga	121	532 15 44-19	Nyliner Clutching STL
47	532 12 77-83	Pulley Idler V Groove Plastic			
48	532 15 46-04	Bellcrank Asm Clutch			

NOTE: All component dimensions given in U.S. inches
1 inch = 25.4 mm

H

STEERING ASSEMBLY



H

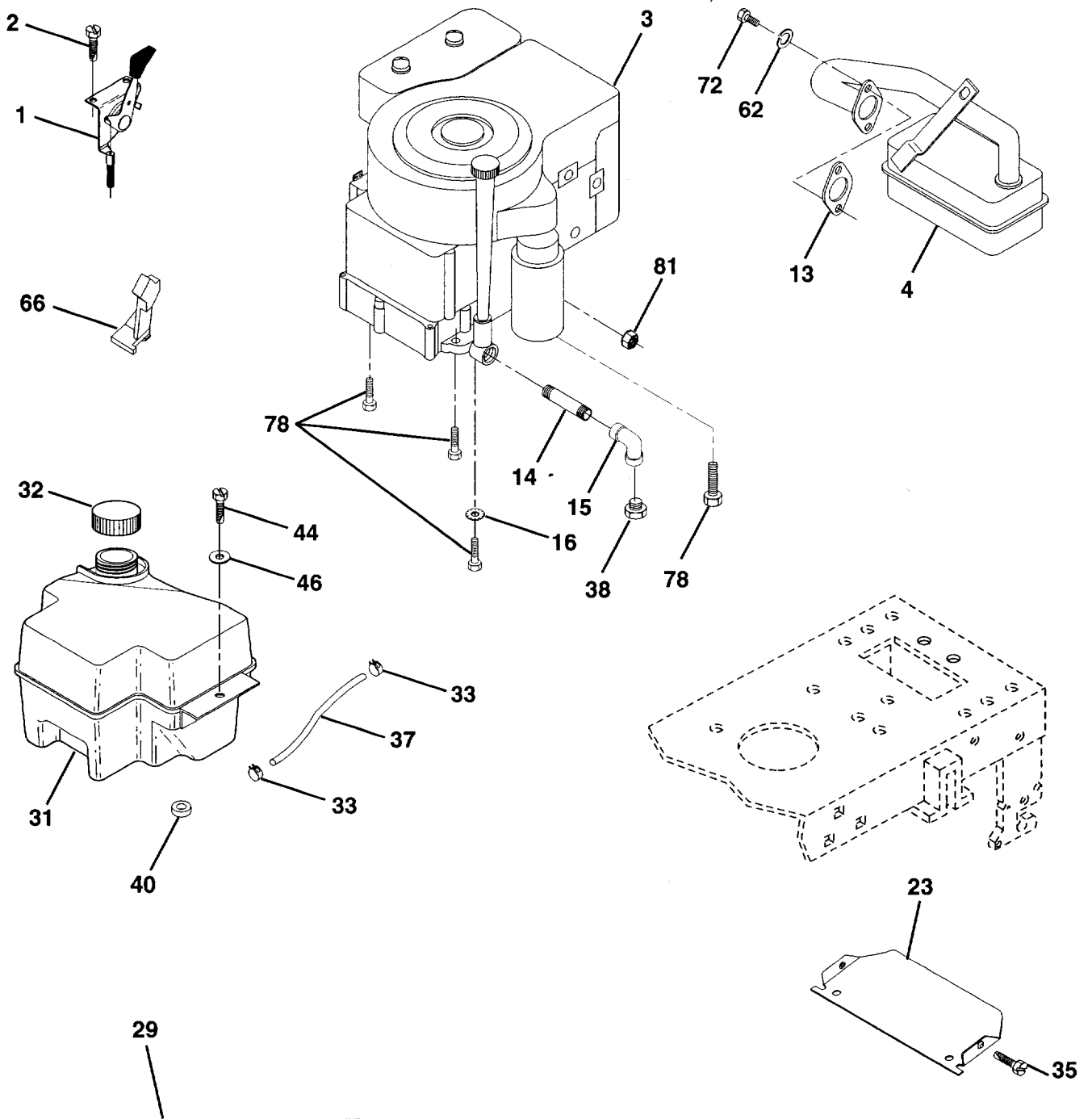
STEERING ASSEMBLY

KEY NO.	PART NO.	DESCRIPTION
1	532 14 00-44	Wheel Steering Auto Grey
2	532 15 44-27	Axle Asm Strmp Dropped STL
3	532 15 44-22	Spindle Asm LH
4	532 15 44-23	Spindle Asm RH
5	532 12 49-31	Washer Thrust .75 x 1.230
6	532 12 17-48	Washer 25/32 X 1-5/8 X 16 Ga
7	819 27 20-16	Washer 27/32 X 1-1/4 X 16 Ga
8	812 00 00-29	Ring Klip #t5304-75
9	532 12 49-37	Bearing Col Strg Blk
10	532 15 64-38	Draglink Extended Stamp
11	810 04 06-00	Washer Lock Hvy Hlcl Spr 3/8
13	532 15 47-79	Spacer Bearing Axle Front
15	873 90 10-00	Nut Lock Flange 5/8-11 Unc
17	532 15 65-46	Shaft Asm Strg Private Label 97
18	532 05 70-79	Washer Thrust 515x 750x 033
19	532 12 40-35	Support Shaft
20	532 12 66-84	Washer Shim 1/4 X 5/8 X 062
21	810 04 04-00	Washer Lock Hvy Helical 1/4
22	871 10 04-10	Screw Cap Sckt Hd Phos & Oil
23	532 15 63-65	Shaft Asm Pittman 97
25	532 15 44-06	Bracket Steering
26	532 12 68-47	Bushing Link Drag Blk Lr
27	532 13 68-74	Gear Sector
28	819 13 14-16	Washer 13/32 x 7/8 x 16 Ga.
29	817 49 06-12	Screw Thdrol 3/8-16x3/4 Ty-tt
30	876 02 04-12	Pin Cotter 1/8 x 3/4 Cad.
32	532 13 04-65	Rod Tie Wire Form Sol 19.75 Eelc.
36	532 15 50-99	Bushing Strg
37	532 15 29-27	Screw Slftp #10-16 X 1/2 Ty-b
38	532 14 00-45	Insert Cap Strg Wh Au
39	819 13 38-08	Washer 13/32 X 2-3/8 X 8 Ga
40	532 12 47-01	Nut Lock Center 3/8-24unf
41	532 10 07-11	Adaptor Wheel Strg
42	532 14 50-54	Boot Steering Dash P/L Mtl Blk
43	532 12 17-49	Washer 25/32 X 1 1/4 X 16 Ga
44	532 15 37-20	Extention Steering Non-Ajust
46	532 12 12-32	Cap Spindle Fr Top Blk
47	532 12 48-36	Fitting Grease
51	873 80 05-00	Nut Lock Hex w/Ins 5/16-18
54	874 78 05-20	Bolt Fin Hex 5/16-18 Unc x 1-1/4
62	532 15 65-94	Kit, Steering Assembly
63	874 78 06-16	Bolt, Fin Hex 3/8-16 UNC x 1 Gr. 5
65	532 15 47-80	Spacer Axle
66	532 15 44-04	Bearing Arm Pittman
67	874 78 10-44	Bolt Fin Hex 5/8-11 unc x 2-3/4

NOTE: All component dimensions given in U.S. inches.
1 inch = 25.4 mm.

F

ENGINE



OPTIONAL EQUIPMENT
Spark Arrester

F

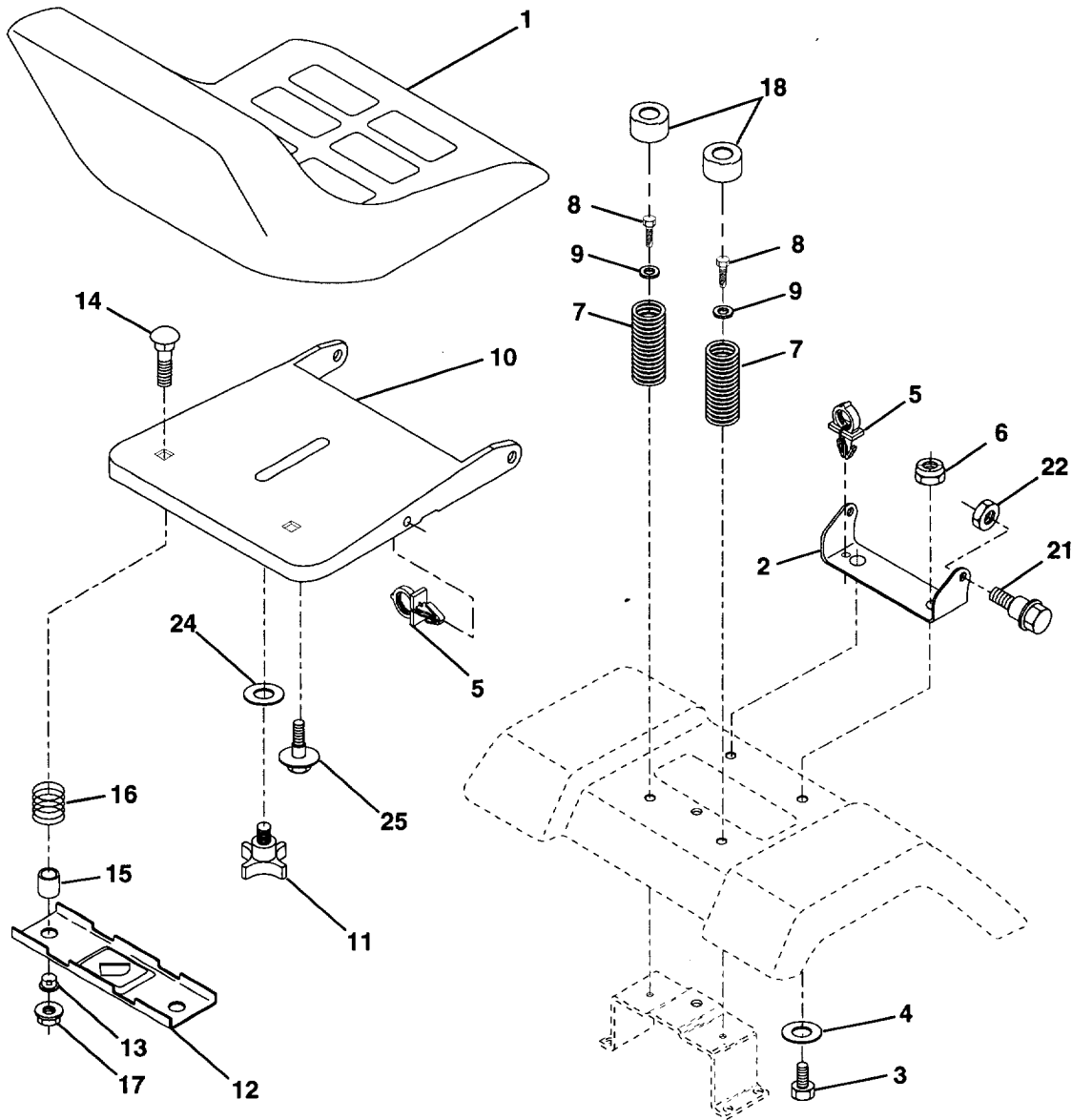
ENGINE

KEY NO.	PART NO.	DESCRIPTION
1	532 14 13-59	Control Th/ch RH Blk
2	817 72 04-10	Screw Hex Thd Cut 1/4-20x5/8 T
3	-----	Engine
4	532 13 73-52	Muffler LT B&S 14HP Ic/ohv
13	532 27 22-93	Gasket Eng 1 313 Id Tin Plated
14	813 28 03-24	Nipple Pipe 3/8 Npt X 3"
15	813 20 03-00	Elbow Std 90 Degree 3/8-18 Npt
16	811 05 06-00	Washer Lock Ext Tooth 3/8
23	532 15 61-23	Shield Heat Browning
29	532 13 71-80	Kit Spark Arrestor
31	532 14 02-80	Tank Fuel Front 2 00
32	532 14 05-27	Cap Asm Fuel Top Vented N/Lang
33	532 12 34-87	Clamp Hose Black
35	817 49 05-12	Screw Thdrol 5/16-18 x 3/4 TYT
37	532 13 70-40	Line Fuel 9.5"
38	-----	Plug Oil Drain (Order From Engine Manufacturer)
40	532 11 04-36	Bushing Snap Nyl Blk Fuel Line
44	817 49 04-12	Screw Thdrol 1/4-20 x 3/4
46	819 09 14-16	Washer 9/32 x 7/8 x 16 Ga.
62	810 04 05-00	Washer Lock Hvy Hlcl Spr 5/16
66	532 12 79-51	Stop Throttle
72	871 07 05-12	Screw Hexhd Cap 5/16 - 18x3/4
78	817 49 06-20	Screw Thdrol 3/8-16x1 - 1/4 TYTT
81	532 12 88-61	Nut Flange 1/4-20 Starter Nut

NOTE: All component dimensions given in U.S. inches
1 inch = 25.4 mm

C

SEAT ASSEMBLY



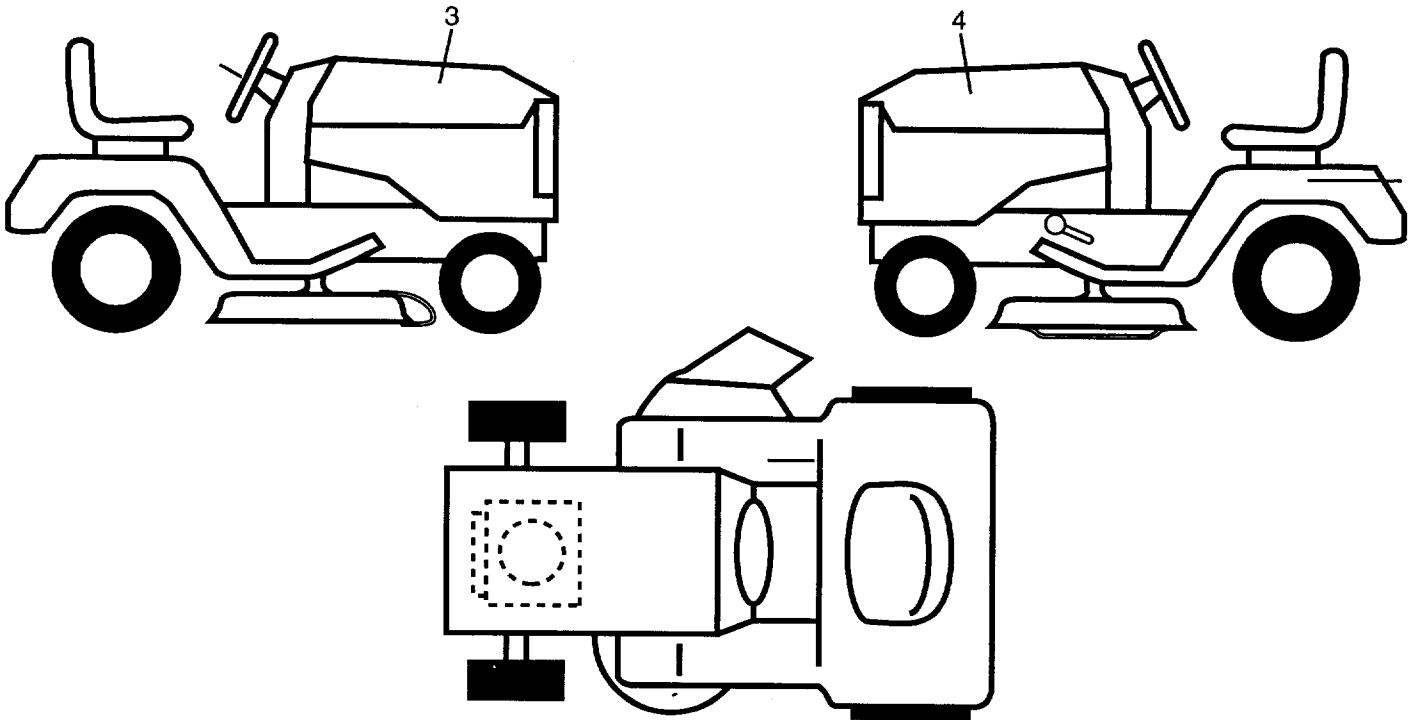
KEY NO.	PART NO.	DESCRIPTION
1	532 12 74-40	Seat
2	532 14 05-51	Bracket Pivot Seat 8 720
3	874 76 06-16	Bolt Fin Hex 3/8-16 Unc x 1
4	819 13 16-10	Washer Flat 13/32 x 1 x 10 Ga.
5	532 14 50-06	Clip Push-in Hinged
6	873 68 06-00	Nut Crownlock 3/8-16 Unc
7	532 12 41-81	Spring Seat Cprsn 2 250 Blk Zi
8	817 49 06-16	Screw Thdrol 3/8-16 x 1 Tytt
9	819 13 16-14	Washer 13/32 x 1 x 14 Ga.
10	532 15 59-25	Pan Seat
11	532 12 00-68	Knob Seat 1/2-13unc Blk
12	532 12 12-46	Bracket Mounting Switch

KEY NO.	PART NO.	DESCRIPTION
13	532 12 12-48	Bushing Snap Blk Nyl 50 Id
14	872 05 04-11	Bolt Rdhd Sht Nk 1/4-20x1-3/8
15	532 12 12-49	Spacer Split 28x 88 Yel Zinc
16	532 12 37-40	Spring Cprsn 1 310 Blk Pnt
17	532 12 39-76	Nut Lock 1/4 Lge Flg Gr 5 Zinc
18	532 12 42-38	Cap Spring Seat
21	532 15 32-36	Bolt Shoulder 5/16-18 Unc-2A
22	873 68 05-00	Nut Crown Lock 5/16-18
24	819 17 19-12	Washer 17/32 X 1-3/16 X 12 Ga
25	532 12 70-18	Bolt Shoulder 5/16-18 X 62

NOTE: All component dimensions given in U.S. inches.
1 inch = 25.4 mm

R

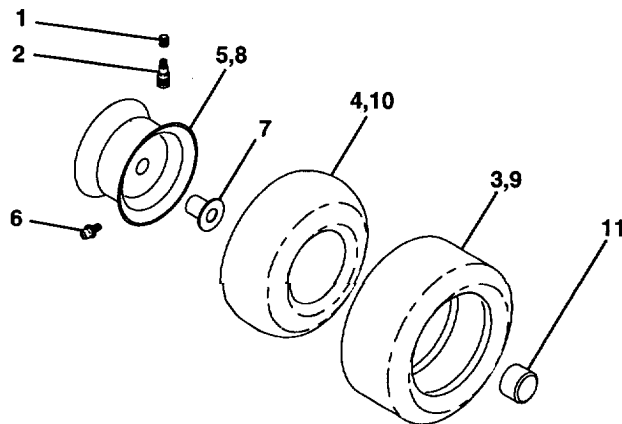
DECALS



KEY NO.	PART NO.	DESCRIPTION
3	532 15 22-43	Decal Hood RH Lt Jons Shark
4	532 15 22-44	Decal Hood LH Lt Jons Sharkr

R

WHEELS & TIRES



KEY NO.	PART NO.	DESCRIPTION
1	532 05 91-92	Cap Valve Tire
2	532 06 51-39	Stem Valve
3	532 10 62-22	Tire F Ts 15 X 6 0 - 6 Service
4	532 05 99-04	Tube Front (Service Item Only)
5	532 13 83-36	Rim Asm 6" front Silver Service
6	532 12 49-57	Fitting Grease (Front Wheel Only)
7	532 12 49-59	Bearing Flange (Front Wheel Only)
8	532 13 83-37	Rim Asm 8" rear Silver Service
9	532 12 20-82	Tire R Ts 20 10 C Service
10	532 12 49-26	Tube Rear (Service Item Only)
11	532 10 47-57	Cap, Hub Axle Blk 1.50 x 1.00
--	532 14 43-34	Sealant, Tire (10 oz. Tube)

NOTE: All component dimensions given in U.S. inches
1 inch = 25.4 mm

M

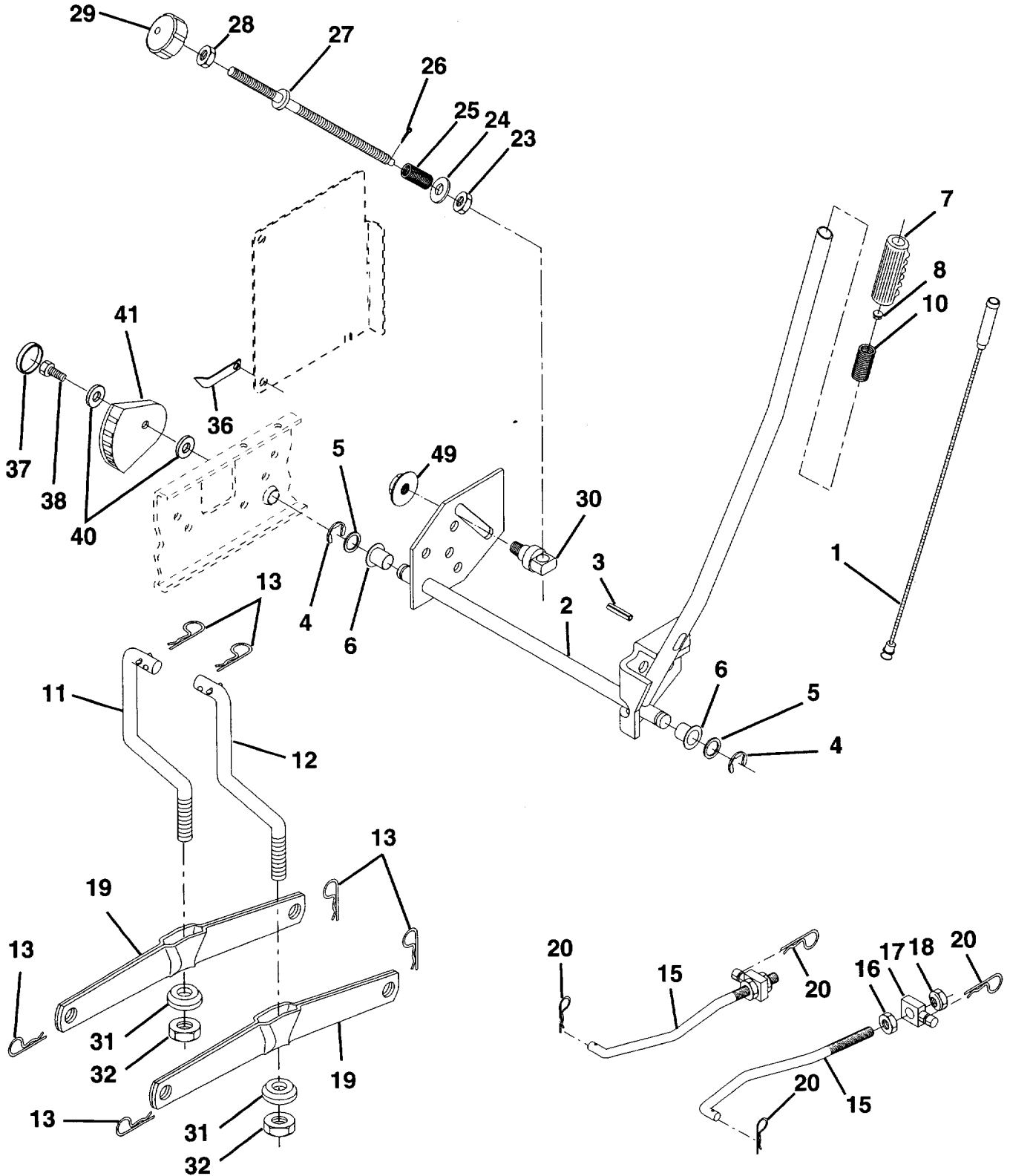
MOWER DECK

KEY NO.	PART NO.	DESCRIPTION	KEY NO.	PART NO.	DESCRIPTION
1	532 14 43-93	Mower Housing	46	532 13 77-29	Screw Thdrol 1/4-20 x 5/8
2	872 14 05-06	Bolt Rdhd Sqnk 5/16-18unc X3/4	54	532 13 39-43	Washer Hardened
3	532 13 80-17	Bracket Asm Fr Sway Bar 38/42	55	532 14 00-84	Arm Idler 42"mower LT/YT
4	532 13 84-40	Bracket Asm Deck 42"sway Bar	56	532 12 20-52	Spacer Retainer Pm Mower
5	532 12 46-70	Retainer Spring	59	532 14 10-43	Guard TUV Idler (94)
6	532 13 08-32	Arm Suspension Rear	61	532 13 19-50	Spring Ext. Elect Cl 38" & 42" Deck
8	532 85 08-57	Bolt 3/8 - 24 X 1.25 Gr 8	68	531 01 31-41	V-Belt Mower
9	810 03 06-00	Washer Lock Hvy 3/8	83	532 12 09-58	Washer Sintered
10	532 14 02-96	Washer Hard Blade Mower Vented	84	532 15 60-84	Keeper Belt Idler Fixed
11	531 01 31-34	Blade Mulching	85	872 14 06-18	Bolt RdHd Sqnk 3/8-16 x 2-1/4
12	532 12 98-95	Bearing Ball #6024 (Mandrel)	90	874 76 06-16	Bolt Hex 3/8-16 x 1
13	532 13 76-45	Shaft Asm W/lower Bearing	91	532 13 22-74	Bracket Asm. Noseroller LH
14	532 12 87-74	Housing Mandrel Vented	92	873 68 06-00	Nut Crownlock 3/8-16
15	532 11 04-85	Bearing Ball Mandrel	93	819 17 14-16	Washer 17/32 x 7/8 x 16 Ga.
16	532 14 03-29	Stripper Mower Round	94	532 13 22-64	Roller Nose
17	872 11 06-18	Bolt Rdhd Sqnk 3/8-16 X 2--1/4	95	532 13 22-73	Bracket Asm. Noseroller RH
18	872 14 05-05	Bolt Rdhd Sqnk 5/16-18 X 5/8	111	532 15 51-97	Bracket Gauge Wheel LH 42" 96
19	532 13 28-27	Bolt Shoulder	112	532 15 51-98	Bracket Gauge Wheel RH 42" 96
20	532 13 68-88	Baffle Vortex 42	113	817 49 05-12	Screw Thdrol 5/16-18 x 3/4 Tyt
21	873 68 05-00	Nut Crownlock 5/16-18	114	873 51 05-00	Nut Keps 5/16-18 UNC
22	532 13 47-53	Stiffener Bracket 42"deck	115	872 11 05-04	Bolt Carr.
23	532 13 12-67	Bracket Deflector Mower 42"	116	532 14 68-51	Bolt Shoulder
24	532 10 53-04	Cap Sleeve 80x 112 Blk Mower	117	532 14 68-50	Wheel Gauge Medium
25	532 12 37-13	Spring Torsion Deflector 2 52	118	873 93 06-00	Nut Centerlock 3/8-16 UNC
26	532 11 04-52	Nut Push Phos & Oil	119	819 12 14-14	Washer 3/8 x 7/8 x 14 Ga.
27	532 13 09-68	Shield Deflector Mower 42"Blk	121	532 14 37-23	Bracket Extruded Gauge Wheel
28	819 11 10-16	Washer 11/32 X 5/8 X 16 Ga	125	876 02 08-16	Pin Cotter 1/4 x 1 Plated
29	532 13 14-91	Rod Hinge 42"6 75 Wlg	128	532 15 33-90	Washer Felt
30	532 13 87-76	Screw Thdrol Hex Head Zinc Mower	129	819 13 13-12	Washer 13/32 x 13/16 x 12 Ga.
31	532 12 99-63	Washer Spacer Mower Vented	130	874 78 06-16	Bolt Fin Hex 3/8-16unc x 1 Gr.5
32	532 15 35-35	Pulley Mandrel 42"	131	872 14 06-08	Bolt Rdhd Sqnk 3/8-16unc x 1
33	532 13 72-66	Nut 9/16 Toplock Fing Oil Dip	--	532 14 50-24	Deck Serv 42" (Std. Deck, order Nose Roller components separately, Key Nos. 90-95 and CE Certification Kit EC42)
34	872 11 06-22	Bolt RdHd 3/8-16 Unc x 2-3/4 Gr. 5	--	532 13 07-94	Mandrel Asm Service (Includes Key Nos. 8-10, 12-15, 31 and 33)
35	532 13 38-35	Fastner Christmas Tree			
36	532 13 14-94	Pulley Idler Flat 3 060			
37	819 13 13-16	Washer 13/32 X 13/16 x 16 Ga			
38	532 13 28-23	Spacer Spring Stop Idler			
40	873 68 06-00	Nut Crownlock 3/8-16 Unc			
44	532 14 00-88	Guard Mandrel LH Black			

NOTE: All component dimensions given in U.S. inches
1 inch = 25.4 mm

O

MOWER LIFT



O

MOWER LIFT

KEY NO.	PART NO.	DESCRIPTION
1	532 13 69-73	Wire Asm Inner W/plunger 17.32
2	532 14 51-17	Shaft Asm Lift RH w/Inf W/T
3	532 10 57-67	Pin Groove 1 500 Zinc
4	812 00 00-02	E Ring #5133-62
5	819 21 16-21	Washer 21/32 X 1 X21 Ga
6	532 12 01-83	Bearing Nylon Blk 629 Id
7	532 10 94-13	Grip Handle Bicycle
8	532 12 45-26	Button Plunger Black
10	532 12 25-12	Spring Cprsn 3 750 Oiled
11	532 13 98-65	Link Lift LH Fixed Length
12	532 13 98-66	Link Lift RH Fixed Length
13	532 12 46-70	Retainer Spring
15	532 12 72-18	Link Front
16	873 35 08-00	Nut Jam Hex 1/2-13 Unc
17	532 13 01-71	Trunnion Blk Zinc
18	873 80 08-00	Nut Lock W/wsh 1/2-13unc
19	532 13 98-68	Arm Suspension Rear
20	532 12 46-60	Retainer Spring
23	532 11 08-07	Nut Special
24	819 13 10-16	Washer 13/32 X 5/8 X 16 Ga
25	532 12 48-74	Spring 2-1/8"
26	876 02 03-08	Pin Cotter 3/32 X 1/2
27	532 12 69-71	Rod Adj Lift Zinc 7.49 Wrk Lg
28	873 35 06-00	Nut Hex Jam 3/8-16 Unc
29	532 13 80-57	Knob Inf 3/8-16 Unc Blk W/sym
30	532 15 02-33	Trunnion Infin Height
31	532 14 03-02	Bearing Pvt Lift Spherical
32	873 54 06-00	Nut Nylock 3/8- 24
36	532 15 50-97	Pointer Pnt Height ind
37	532 12 39-35	Plug Hole Blk 1.485/1.515 Dia.
38	817 49 05-12	Screw Thdrol 5/16-18 x 3/4
40	819 11 24-10	Washer 11/32 x 1-1/2 10 Ga.
41	532 15 50-98	Indicator Height STLT
49	532 14 52-12	Nut Hex Flange Lock

NOTE: All component dimensions given in U.S. inches
1 inch = 25.4 mm