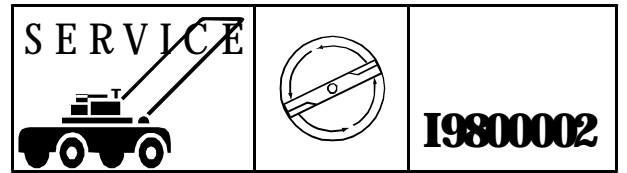


Jonsered



IPL, LTH16 42", 1998-01, 106 24 87-61

LTH16 42"

Spare parts

Ersatzteile

Pièces détachées

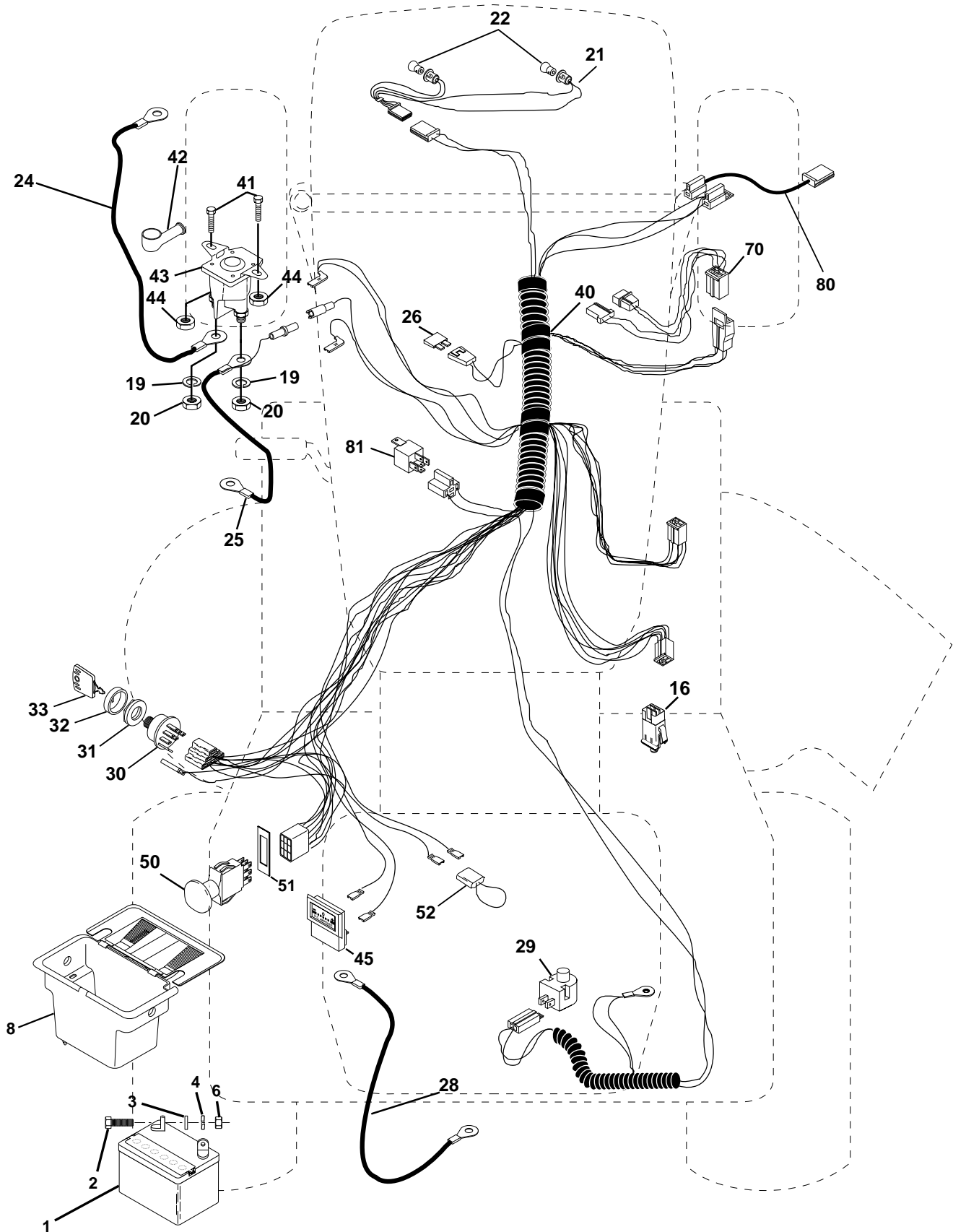
Reserve onderdelen

Repuestos

Reservdelar

P

ELECTRICAL



P

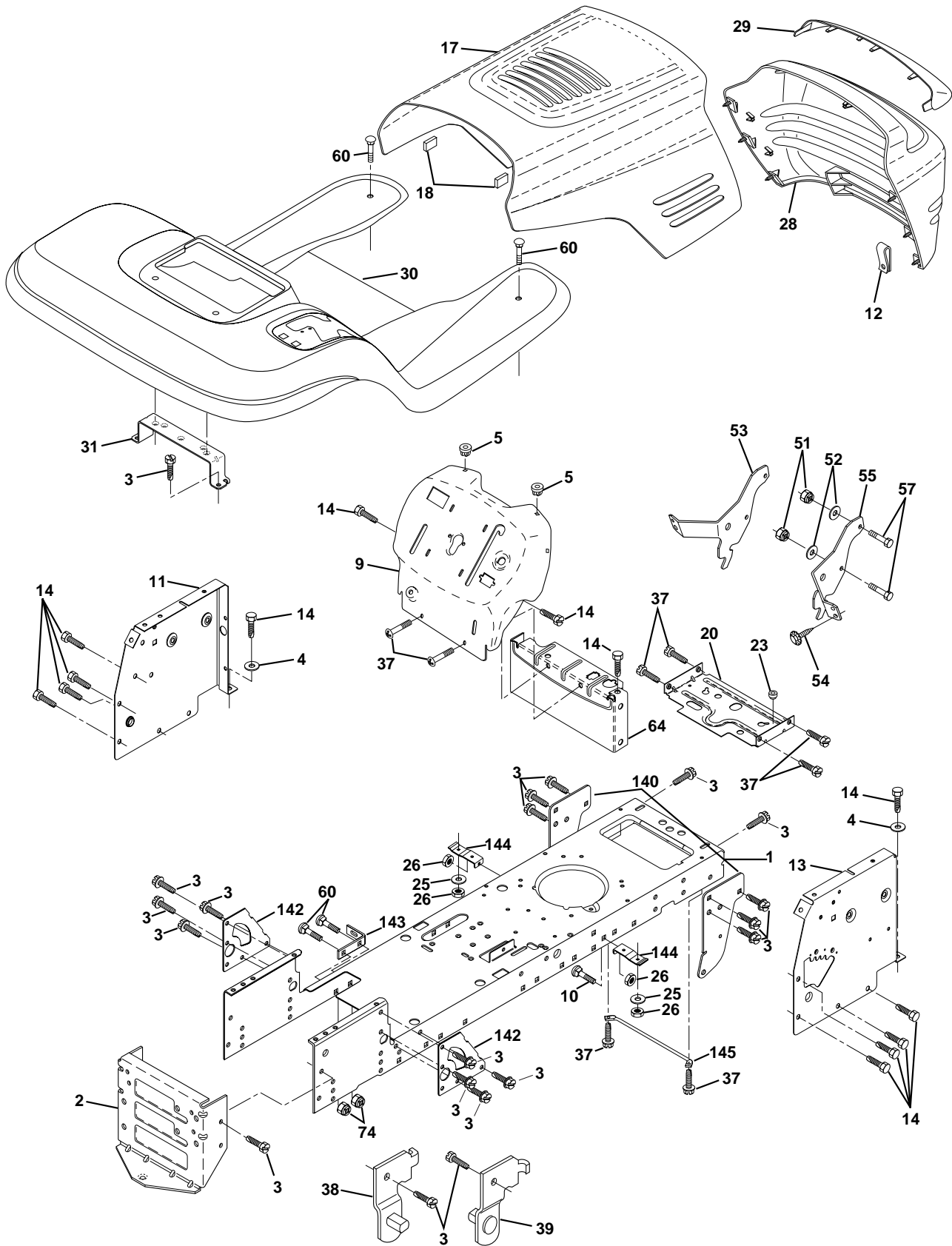
ELECTRICAL

KEY NO.	PART NO.	DESCRIPTION
1	532144925	Battery 12 VOLT 25 AMP
2	874760412	Bolt Hex Hd 1/4-20unc X 3/4
3	819091016	Washer 9/32 X 5/8 X 16 Ga
4	810040400	Washer Lock Hvy Helical 1/4
6	873220400	Nut Fin Hex 1/4-20 Unc
8	532156417	Case Battery Mech. Hinge
16	532153664	Switch Interlock Push-In
19	810090400	Washer Lock 1/4
20	873350400	Nut Jam Hex 1/4-20 Unc
21	532147430	Harness Asm Light W/4152J
22	532004152	Bulb Light #1156
24	532124780	Cable Battery 6 Ga 11"red
25	532146147	Cable Battery 6 Ga W/16 Ga Wire 44"
26	532108824	Fuse 30 AMP Auto Green
28	532124773	Cable Ground 6 Ga 12"black
29	532160784	Switch Plunger Normal Op Olive
30	532140301	Switch Ignition 4 Pos
31	532124211	Nut Ignition
32	532141226	Cover Sw Key Blk 1 25 Text SLT
33	532122147	Key Ign Molded Generic
40	532160720	Harness Ign.
41	871110408	Bolt Hex Hd. Fin 1/4-20 x 1/2 Gr. 5
42	532131563	Cover Terminal Red
43	532145673	Solenoid
44	873640400	Nut Keps Hex 1/4-20 Unc
45	532121433	Rectangular 6amp Ammeter
50	532154959	Switch PTO 3 PDT Black
51	532140405	Ring Retainer PTO
52	532141940	Protection Wire Loop
70	532140422	Harness Engine 14 OHV Dual
80	532146685	Harness Clutch Evx
81	532109748	Relay Asm

NOTE: All component dimensions given in U.S. inches
1 inch = 25.4 mm.

A

CHASSIS AND ENCLOSURES



A

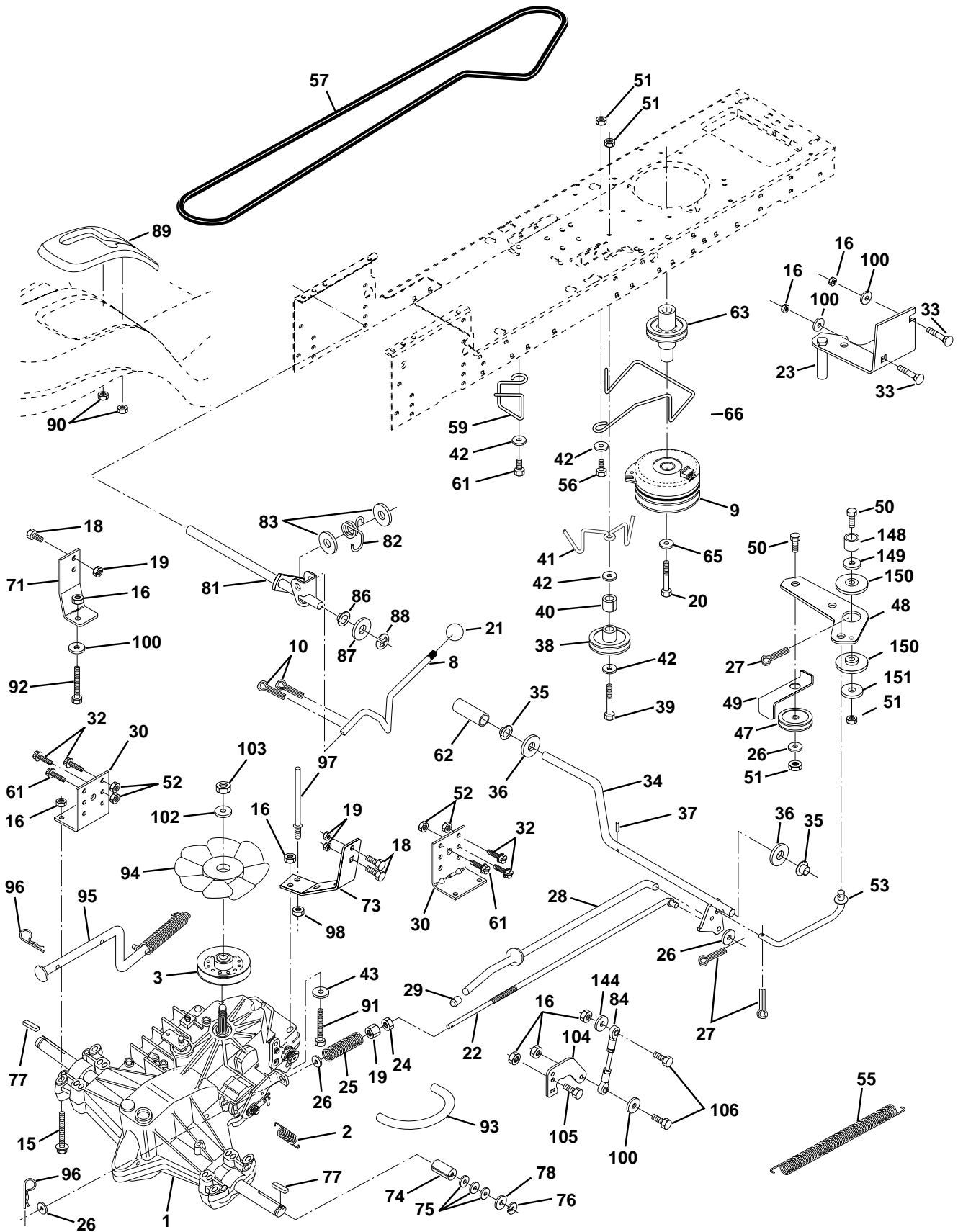
CHASSIS AND ENCLOSURES

KEY NO.	PART NO.	DESCRIPTION
1	532160392	Chassis Wldmt.
2	532140356	Drawbar Stretch 94
3	817490612	Screw Thdrol. 3/8-16 x 3/4 Ty-Tt
4	819131216	Washer 13/32 x 3/4 x 16 Ga.
5	532155272	Bumper Hood/Dash
9	532156792	Dash Private Label
10	872140608	Bolt RdHd Sqnk. 3/8-16 x 1
11	532155927	Panel Asm. Dash Lh
12	532145660	Clip Tinnerman Grille P/L
13	532155936	Panel Dash Rh
14	817490608	Screw Thdrol. 3/8-16 x 1/2 Ty-Tt
17	532150760	Hood Pnt w/Side Louvers
18	532126938	Bumper Hood
20	532156437	Plate Mtg Battery/Fuel Tank 95
23	532124028	Bushing Snap Nyl. Blk Fuel Line
25	819131312	Washer 13/32 x 13/16 x 12 Ga.
26	873800600	Nut Lock Hex w/Ins 3/8-16 Unc
28	532150671	Grill w/Clips
29	532145199	Lens Grille
30	532156793	Fender /Ftrest Pnt STL
31	532139976	Bracket Fender
37	817490508	Screw Thdrol 5/16-18 x 1/2
38	532139886	Bracket Asm. Pvt. Lh Mwr. Rear
39	532139887	Bracket Asm. Pvt. Rh Mwr. Rear
51	873800400	Nut Lock Hex W/Ins. 1/4-20
52	819091416	Washer 9/32 x 7/8 x 16 Ga.
53	532145201	Bracket Grille Pickoff LH
54	532161464	Screw Hex Wshd 8-18 x 7/8
55	532145202	Bracket Grille Pickoff RH
57	874780412	Bolt Fin Hex 1/4-20 x 3/4
60	872140606	Bolt Rdhd Sqnk 3/8-16 UNC x 3/4
64	532154798	Dash Lower STLT
74	873680600	Nut, Crownlock 3/8-16 UNC
140	532158418	Bracket, Suspension Front
142	532156095	Plate Reinforcement STLT
143	532154966	Brace Axle
144	532154207	Bracket Footrest STLT
145	532156524	Rod Pivot Chassis/Hood
--	532005479	Plug Button Blk .359 Dia. Choke

NOTE: All component dimensions given in U. S. inches
1 inch = 25.4 mm

L

DRIVE



L

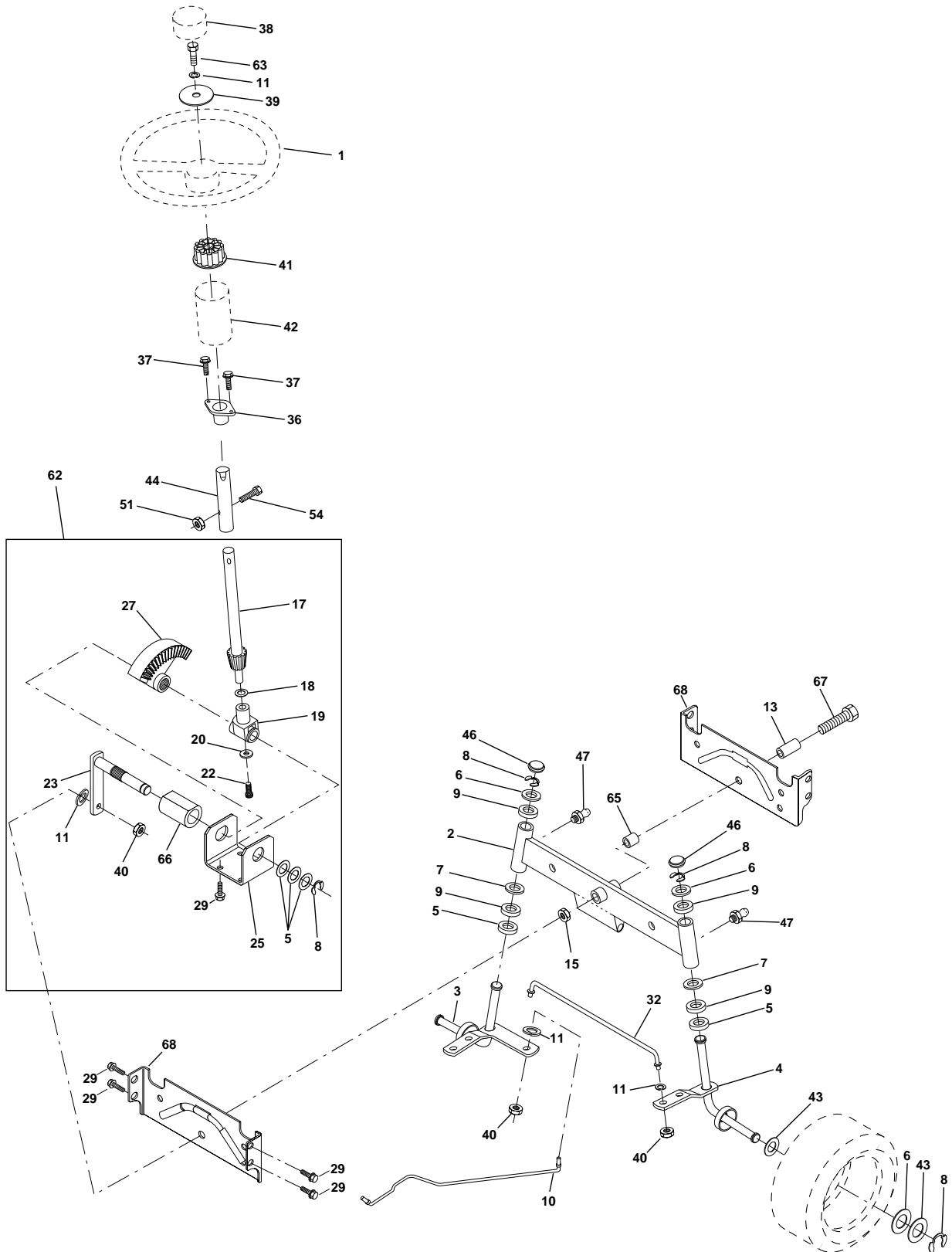
DRIVE

KEY NO.	PART NO.	DESCRIPTION	KEY NO.	PART NO.	DESCRIPTION
1	532150071	Transaxle Assembly	57	5310060-91	V-Belt, Ground Drive
2	532142431	Spring, Return, Brake	59	532140312	Keeper, Center Span
3	532143995	Pulley, Transaxle	61	817490612	Screw Thdrol. 3/8-16 x 3/4 TYTT
8	532154792	Rod Shift Fender	62	532124872	Cover, Pedal
9	532145028	Clutch Electric	63	532161400	Pulley, Engine
10	876020416	Pin Cotter 1/8 x 1 CAD	65	810040700	Washer
15	874490544	Bolt Hex Flghd 5/16-18 Gr. 5	66	532161488	Keeper Belt Engine Hydro
16	873800500	Nut Lock Hex W/Ins. 5/16-18 Unc P	68	532140158	Strap Torque Lh Hydro 18/20" T
18	874780616	Bolt Fin Hex 3/8-16 Unc x 1 Gr.5	73	532156347	Strap Torque Rh Hydro
19	873800600	Nut Lock Hex W/Wsh 3/8-16 Unc	74	532121199	Spacer, Split
20	532150280	Bolt, Hex 7/16-20 x 4-1/4	75	532121749	Washer 25/32 x 1-1/4 x 16 Ga.
21	532130564	Knob Deluxe	76	812000001	E-Ring
22	532145627	Rod, Brake Hydro	77	532123583	Key, Square
23	532154978	Bracket Asm Mtg CL Evx	78	532121748	Washer 25/32 x 1-5/8 x 16 Ga.
24	873350600	Locknut	81	532161079	Shaft Asm. Cross Hydro 6 50
25	532106888	Spring, Brake Rod	82	532123782	Spring Torsion T/A
26	819131316	Washer	83	819171216	Washer 17/32 x 3/4 x 16 Ga.
27	876020412	Pin Cotter 1/8 x 3/4 CAD.	84	532161901	Rod, Tie Hydro 20" Tires
28	532145204	Rod, Parking Brake	86	532157480	Bushing
29	532071673	Cap, Parking Brake	87	819212016	Washer 21/32 x 1-1/4 x 16 Ga.
30	532130807	Bracket, Transaxle	88	812000008	Ring Klip #5304-62
32	874760512	Bolt Hex Hd 5/16-18 Unc x 3/4	89	532158388	Console, Shift
33	872140506	Bolt Carriage 5/16-18 UNC x 3/4	90	532124346	Nut, Self Thd Wsh Hd 1/4 Zinc
34	532155071	Shaft, Foot Pedal	91	874780536	Bolt Fin Hex 5/16-18 x 2-1/4
35	532120183	Bearing, Nylon	92	874780524	Bolt Fin Hex 5/16-18 Unc x 1-1/2
36	819211616	Washer	93	532142564	Line Fuel Hydro 4"
37	532124963	Pin, Roll	94	532140462	Fan, Hydro 7"
38	532123674	Pulley, Idler, Flat	95	532144643	Control Asm. Bypass Hydro
39	874760644	Bolt	96	532124788	Retainer Spring 1" Zinc/Cad
40	532124965	Spacer Split	97	532140469	Keeper Belt Rh Hydro 0750.18/ 20"
41	532154777	Keeper, Belt Idler Fool-Proof	98	873510600	Nut Keps Hex 3/8-16 Unc
42	819131312	Washer 13/32 x 13/16 x 12 Gauge	100	819111216	Washer 11/32 x 3/4 x 16 Ga.
43	819111012	Washer 11/32 x 5/8 x 12 Ga.	102	532141322	Washer Belleville .501D x 1.50D
47	532127783	Pulley, Idler, V-Groove	103	873940800	Nut Hex Jam Toplock 1/2-20 Unf
48	532154407	Bellcrank Grnd Clutch	104	532140156	Arm, Control Hydro
49	532123205	Retainer, Belt	105	871070516	Screw Cap Hex 5/16 x 18 x 1
50	874760624	Bolt	106	874780520	Bolt Fin Hex 5/16-18 Unc x 1-1/4
51	873680600	Nut	144	819111016	Washer 11/32 x 5/8 x 12 Ga.
52	873680500	Nut Crown Lock 5/16-18	148	532159103	Spacer
53	532105710	Link, Clutch	149	532122052	Spacer Retainer PM Mower
55	532105709	Spring, Return, Clutch	150	532150935	Bushing Nylon Collered
56	874760620	Bolt	151	819133210	Washer 13/32 x 2 x 10 Ga.

NOTE: All component dimensions given in U.S. inches
1 inch = 25.4 mm.

H

STEERING ASSEMBLY



H

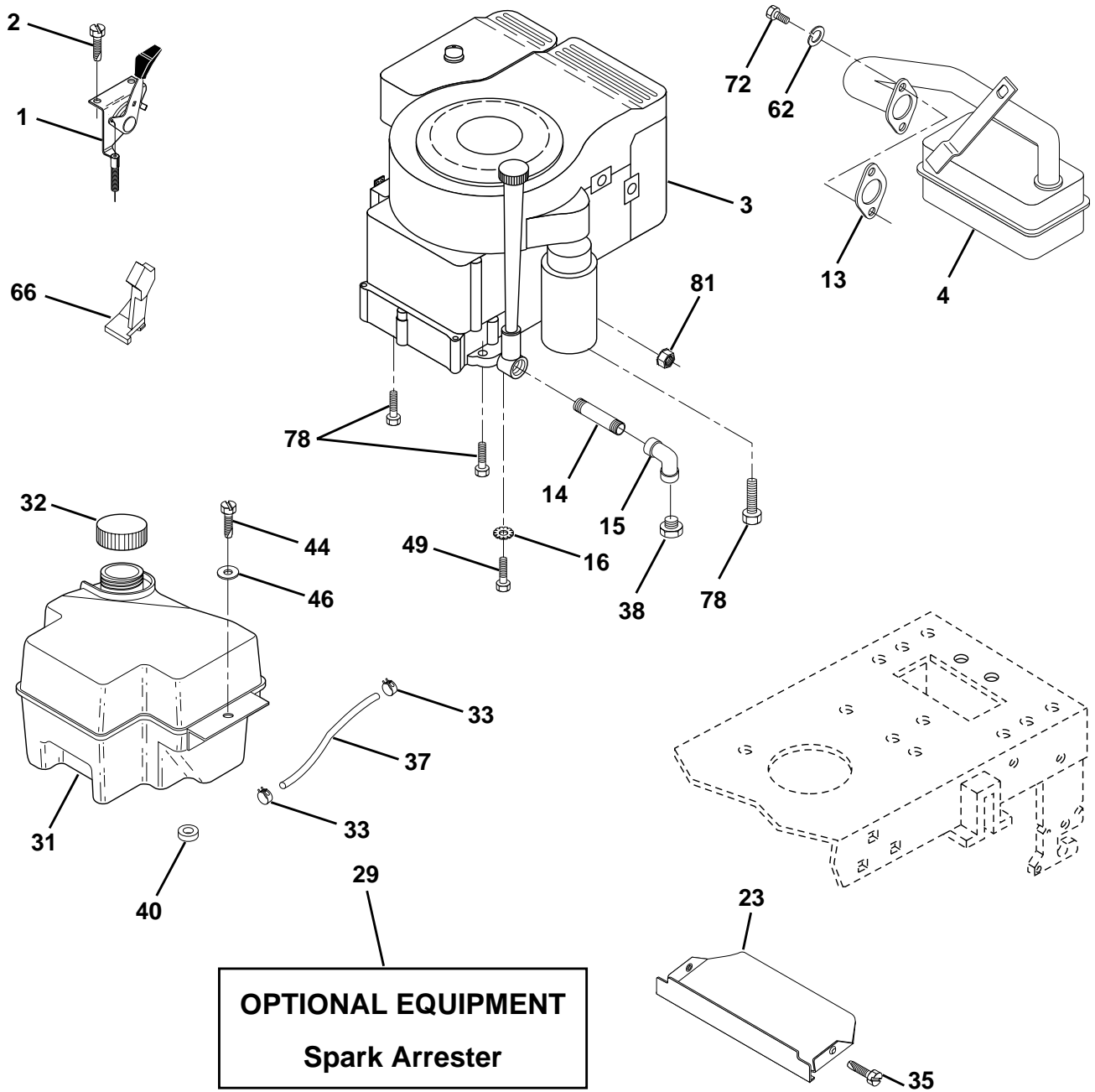
STEERING ASSEMBLY

KEY NO.	PART NO.	DESCRIPTION
1	532140044	Wheel Steering
2	532137094	Axle Front Casting Machined
3	532157479	Spindle Asm Cast LH
4	532157473	Spindle Asm Stmp RH
5	532124931	Bearing Race Thrust Harden
6	532121748	Washer 25/32 X 1-5/8 X 16 Ga
7	819272016	Washer 27/32 X 1-1/4 X 16 Ga
8	812000029	Ring Klip #t5304-75
9	532124937	Bearing Col Strg Blk
10	532154432	Link Drag Extended Cast
11	810040600	Washer Lock Hvy Hlcl Spr 3/8
13	532154779	Bearing Axle STLT
15	873901000	Nut Lock Flange 5/8-11 Unc
17	532156546	Shaft Asm Strg Private Label
18	532057079	Washer Thrust 515x 750x 033
19	532124035	Support Shaft
20	532126684	Washer Shim 1/4 X 5/8 X 062
22	871200410	Screw Hex Socket 1/4-20 x 5/8
23	532127501	Shaft Asm Pittman
25	532154406	Bracket Steering
27	532136874	Gear Sector 22 Teeth
29	817490612	Screw Thdrol 3/8-16x3/4 Ty-tt
32	532137347	Rod Asm Tie Ball T Adj VGT
36	532155099	Bushing Strg
37	532152927	Screw TT #32.5 x 5 x 3/8 Flange
38	532140045	Cap Wheel Steer
39	819133808	Washer 13/32 x 2-3/8 x 8 Ga.
40	532124701	Nut Lock Center 3/8-24 Unf
41	532100711	Adaptor Wheel Strg
42	532145054	Boot Dash Steering
43	532121749	Washer 25/32 X 1 1/4 X 16 Ga
44	532153720	Extension Steering Non-adjust
46	532121232	Cap Spindle Fr Top Blk
47	532124836	Fitting Grease
51	873800500	Nut Lock Hex W/Ins 5/16-18 UNC
54	874780520	Bolt Fin Hex 5/16-18 UNC x 1-1/4
62	532156594	Steering Assembly
63	874780616	Bolt Fin Hex 3/8-16 UNC x 1 Gr. 5
65	532154780	Spacer
66	532154404	Bearing Arm Pittman
67	874781044	Bolt Fin Hex 5/8-11 UNC x 2-3/4
68	532154429	Brace, Axle

NOTE: All component dimensions given in U.S. inches
1 inch = 25.4 mm.

F

ENGINE



F

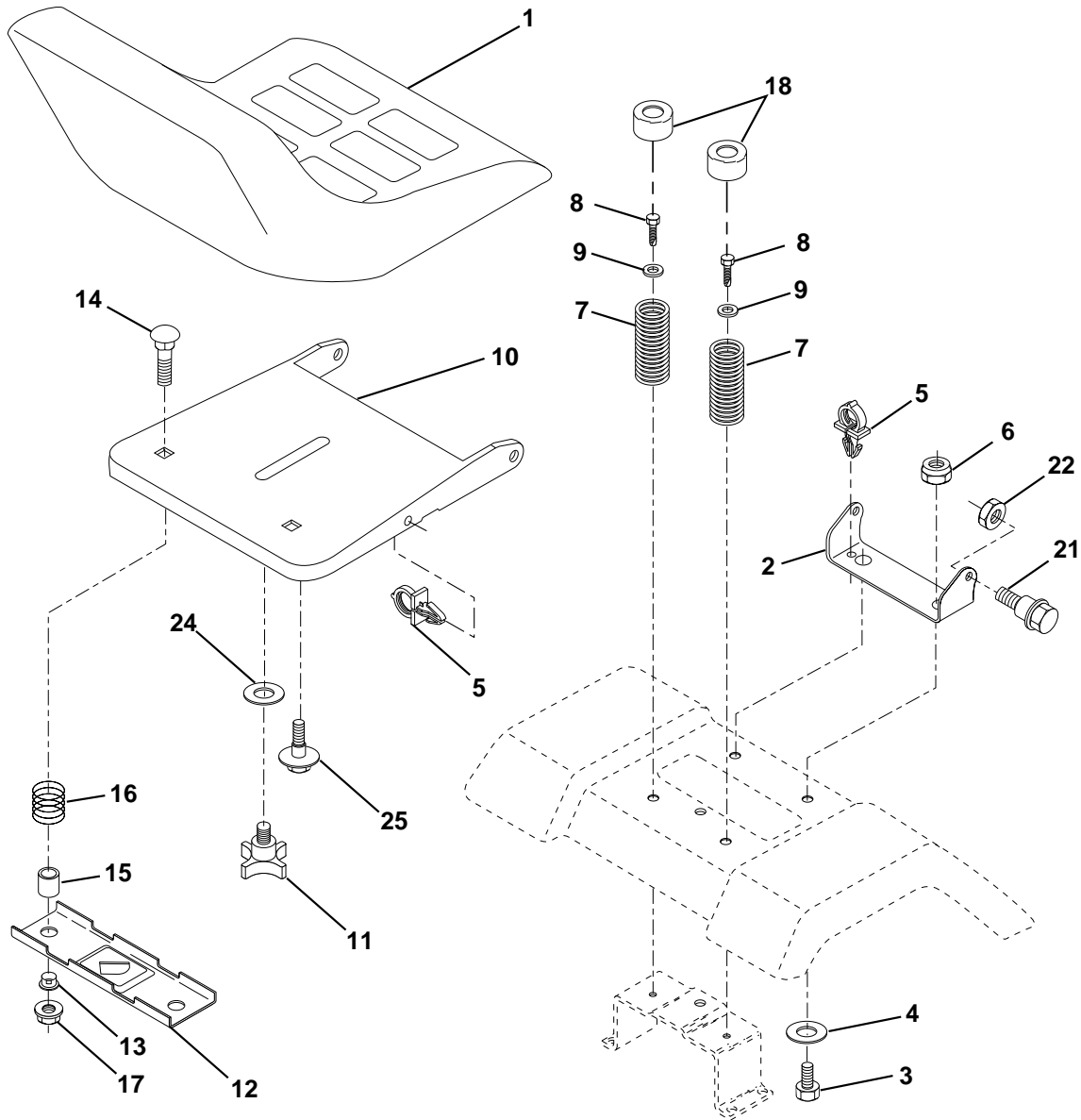
ENGINE

KEY NO.	PART NO.	DESCRIPTION
1	532141359	Control Th/ch LH Blk
2	817720410	Screw Hex Thd Cut 1/4-20x5/8 T
3	-----	Engine Briggs Model No. 28Q707
4	532137352	Muffler LT B&S 14HP Ic/ohv
13	532272293	Gasket Eng 1 313 Id Tin Plated
14	813280324	Nipple Pipe 3/8 Npt X 3"
15	813200300	Elbow Std 90 Degree 3/8-18 Npt
16	811050600	Washer Lock Ext Tooth 3/8
23	532159880	Shield Browning/Debris Guard
29	532137180	Kit Spark Arrestor
31	532161911	Tank Fuel Front 2 00
32	532140527	Cap Asm Fuel Top Vented N/Lang
33	532123487	Clamp Hose Black
35	817490512	Screw Thdrol 5/16-18 x 3/4
37	532137040	Line Fuel 20" Front Fuel Tank
38	-----	Plug Oil Drain (Order From Engine Manufacturer)
40	532124028	Bushing Snap Nyl Blk Fuel Line
44	817490412	Screw Hex Wash Thdrol 1/4-20 x 3/4
46	819091416	Washer 9/32 x 7/8 x 16 Ga.
49	817490616	Screw Thdrol 3/8-16 x 1
62	810040500	Washer Lock Hvy Hlcl Spr 5/16
66	532127951	Stop Throttle
72	871070512	Screw Hexhd Cap 5/16-18x3/4
78	817490620	Screw Thdrol 3/8-16x1-1/4 TYTT
81	532128861	Nut Flange 1/4-20 Starter Nut

NOTE: All component dimensions given in U.S. inches
1 inch = 25.4 mm

C

SEAT ASSEMBLY



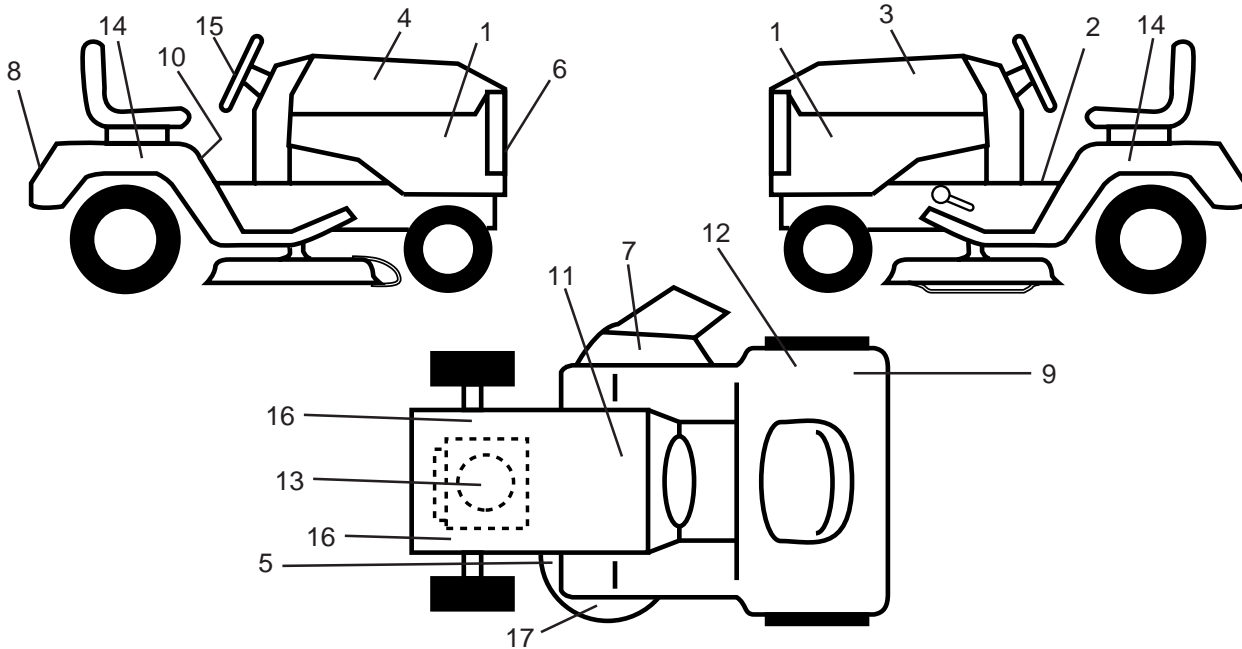
KEY NO.	PART NO.	DESCRIPTION
1	532140118	Seat 2500/1516 Blk/Blk AYP/PL
2	532140551	Bracket Pivot Seat 8 720
3	874760616	Bolt Hex 3/8-16unc x 1
4	819131610	Washer 13/32 X 1 X 10 Ga
5	532145006	Clip Push-In Hinged
6	873800600	Nut Lock Hex w/Ins. 3/8-16 Unc
7	532124181	Spring Seat Cprsn 2 250 Blk Zi
8	817490616	Screw Thdrol 3/8-16 X 1 Ty-tt
9	819131614	Washer 13/32 X 1 X 14 Ga
10	532155925	Pan Seat
11	532120068	Knob Seat 1/2-13 UNC
12	532121246	Bracket Mounting Switch

KEY NO.	PART NO.	DESCRIPTION
13	532121248	Bushing Snap Blk Nyl 50 Id
14	872050412	Bolt Rdhd Sht Nk 1/4-20x1-1/2
15	532121249	Spacer Split 28x 88 Zinc
16	532123740	Spring Cprsn 1 310 Blk Pnt
17	532123976	Nut Lock 1/4 Lge Flg Gr 5 Zinc
18	532124238	Cap Spring Seat
21	532153236	Bolt Shoulder 5/16-18 Unc-2A
22	873680500	Nut Crown Lock 5/16-18
24	819171912	Washer 17/32 X 1-3/16 X 12 Ga
25	532127018	Bolt Shoulder 5/16-18 X 62

NOTE: All component dimensions given in U.S. inches
1 inch = 25.4 mm.

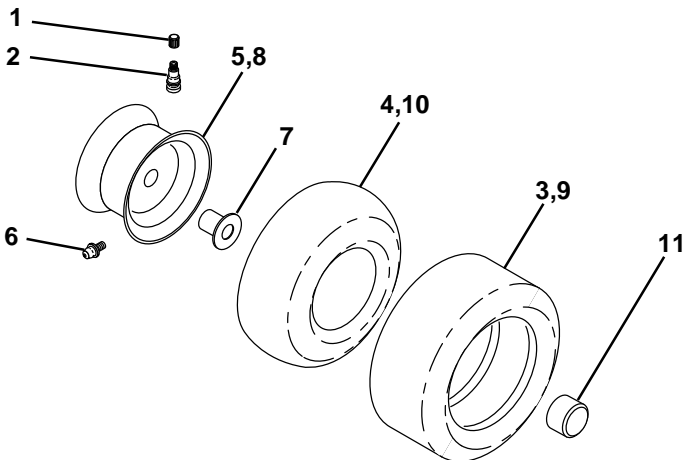
R

DECALS



KEY NO.	PART NO.	DESCRIPTION	KEY NO.	PART NO.	DESCRIPTION
1	532162927 *	Decal Hood Insert B&S White	17	532159737 *	Decal, Brake/Clutch Symbol LT
2	532140837 *	Decal, Brake Parking Sandle	--	532162598 *	Decal, Drawbar Load Limit
3	532157705	Decal, Hood, L. H.	--	532142341 *	Decal, Drawbar CNTRL MVT HYD LT
4	532157702	Decal, Hood, R.H.	--	532138311 *	Decal, Handle Lift Height Adjust. (Lift Handle)
5	532160396 *	Decal, V-Belt Sch.	--	532154515	Pad, Footrest LH
6	532152262 *	Decal, Grille Jonsered LT	--	532154516	Pad, Footrest RH
7	532145494 *	Decal, Mower Cuttingfinger Symbol	--	532162507	Manual, Operator's (Euro)
8	532141761 *	Decal, Logo, Fender	--	532162508	Manual, Operators, (Scan)
9	532126187 *	Decal, 100 DBA	Available accessories not included with tractor:		
10	532145498 *	Decal, Read Owners Manual	--	CE42	42" Bagger
11	532145005 *	Decal, Bat Dan/Poi P/L Sym	--	LBD48	42" Snow Blade
12	532145437 *	Decal, Europe Stand. CE Syms	--	LSB42	40" Snow Thrower
13	532273210 *	Decal Engine	--	LC05	33lb. Wheel Wts. (Pair)
14	532156764 *	Decal, Fender Automatic Jonsered	--	LC06	Tire Chains (18 x 9.5 x 8)
15	532152252 *	Decal, Logo Steering Wheel Cap	--	MK420	Kit Mulcher W/Blades
16	532159736 *	Decal, Chassis Hot Muffler	* Note: Not in stock, but can be dilevered directly from factory		

WHEELS & TIRES



KEY NO.	PART NO.	DESCRIPTION
1	532059192	Cap Valve Tire
2	532065139	Stem Valve
3	532106222	Tire F Ts 15 X 6 0 - 6 Service
4	532059904	Tube Front (Service Item Only)
5	532138336	Rim Asm 6"front Silver Service
6	532124957	Fitting Grease (Front Wheel Only)
7	532124959	Bearing Flange (Front Wheel Only)
8	532138337	Rim Asm 8"rear Silver Service
9	532122082	Tire R Ts 20x10-8 C Service
10	532124926	Tube Rear (Service Item Only)
11	532104757	Cap Axle Blk 1 50 X 1 00

NOTE: All component dimensions given in U.S. inches
1 inch = 25.4 mm

M

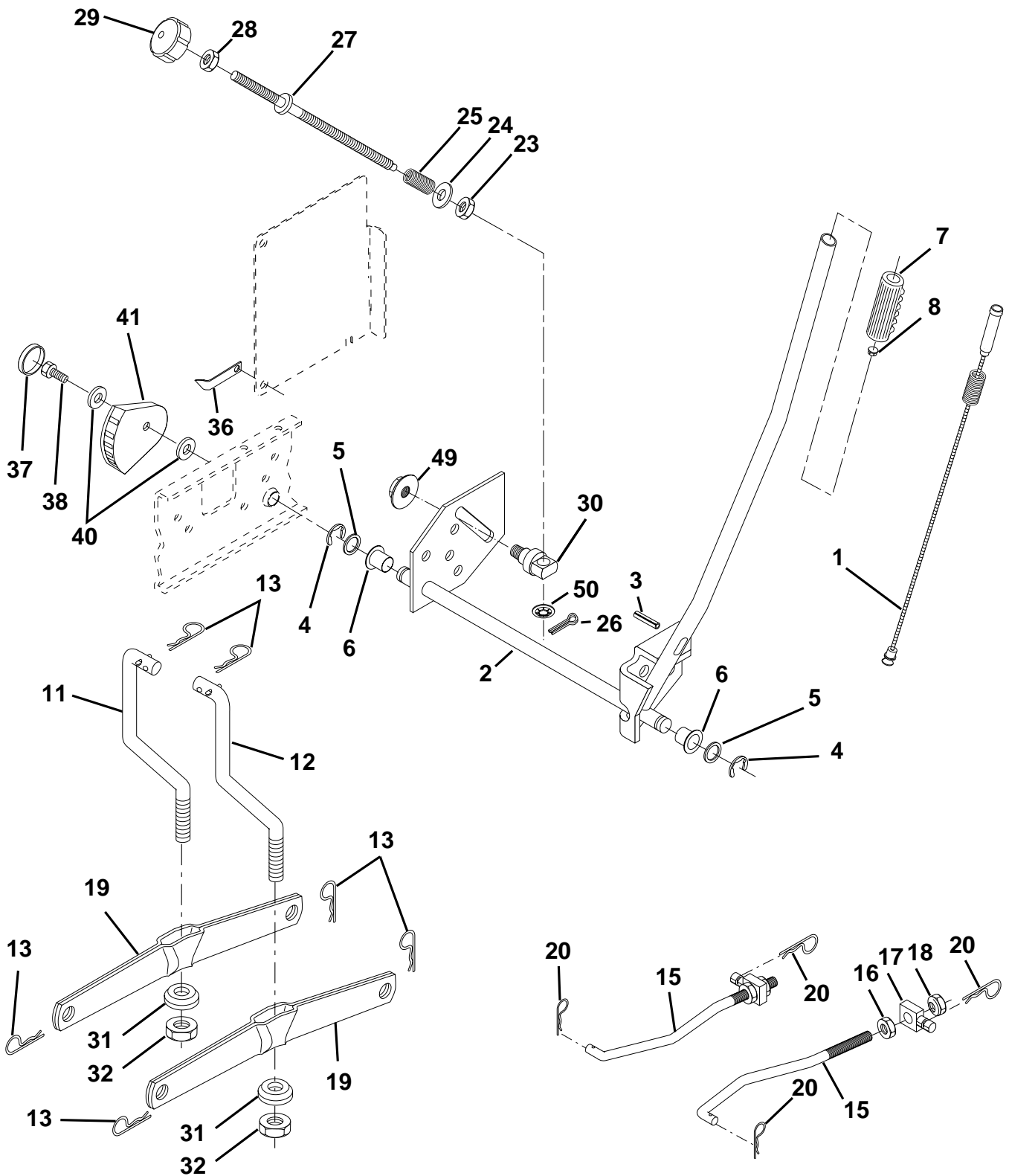
MOWER DECK

KEY NO.	PART NO.	DESCRIPTION	KEY NO.	PART NO.	DESCRIPTION
1	532144393	Housing Asm Mower 42"94 T-Path	55	532140084	Arm Idler 42"mower LT/YT
2	872140506	Bolt Rdhd Sqnk 5/16-18unc X3/4	56	532122052	Spacer Retainer Pm Mower
3	532138017	Bracket Asm Fr Sway Bar 38/42	59	532141043	Guard, Belt
4	532138440	Bracket Asm Deck 42"sway Bar	61	532131950	Spring Ext. Elect
5	532124670	Retainer Spring	68	531013141	V-Belt Mower
6	532130832	Arm Suspension Rear	83	872140618	Bolt Rdhd Sq 3/8-16 UNC x 2-1/4
8	532850857	Bolt 3/8-24x1 25 Gr8 Patched	84	532156084	Keeper Belt Idler
9	810030600	Washer Lock Hvy 3/8 Unplated	85	532120958	Washer Sintered
10	532140296	Washer Hard Blade Mower Vented	90	874760616	Bolt Fin Hex 3/8-16unc X 1
11	531013134	Blade Mower High Lift"	91	532132274	Bracket Asm Noseroller LH
12	532129895	Bearing Ball #6204 (Mandrel)	92	873800600	Nut Lock Hex w/ins. 3/8-16 UNC
13	532137645	Shaft Asm W/lower Bearing	93	819171416	Washer 17/32 X 7/8 X 16 Ga
14	532128774	Housing Mandrel Vented(machd)	94	532132264	Roller Nose 38 & 42
15	532110485	Bearing Ball Mandrel	95	532132273	Bracket Asm Noseroller RH
16	532140329	Stripper Round Mower	111	532155197	Bracket Gauge Wheel Lh
17	872110618	Bolt Rdhd Sqnk 3/8-16 X 2-1/4	112	532155198	Bracket Gauge Wheel Rh
18	872140505	Bolt Carr 5/16-18 X 5/8	113	817490512	Screw Thdrol 5/16-18 x 3/4
19	532132827	Bolt Shoulder	114	873510500	Nut Keps 5/16-18 UNC
20	532136888	Baffle Vortex 42	115	872110504	Bolt Carriage 5/16-18unc x 1/2
21	873680500	Nut Crown Lock 5/16-18	116	532146851	Bolt Shoulder
22	532134753	Stiffener Bracket 42"deck	117	532146850	Wheel Gauge Medium
23	532131267	Bracket Deflector Mower 42"	118	873930600	Nut Centerlock 3/8-16 UNC
24	532105304	Cap Sleeve 80x 112 Blk Mower	119	819121414	Washer 3/8 x 7/8 x 14 Ga.
25	532123713	Spring Torsion Deflector 2 52	121	532143723	Bracket Extruded Gauge Wheel
26	532110452	Nut Push Phos & Oil	125	876020816	Cotter Pin
27	532130968	Shield Deflector	128	532153390	Washer Felt
28	819111016	Washer 11/32 X 5/8 X 16 Ga	129	819131312	Washer 13/32 x 13/16 x 12 Ga.
29	532131491	Rod Hinge 42"6 75 Wlg	130	874780616	Bolt Fin Hex 3/8-16 UNC x 1 Gr. 5
30	532157722	Screw Thdrol Washer Head	131	872140608	Bolt Rdhd Sqnk 3/8-16 UNC x1
31	532129963	Washer Spacer Mower Vented	132	819132203	Washer 13/32 x 1-3/8 x 3 Ga.
32	532153535	Pulley Mandrel	133	872110622	Bolt RDHD 3/8-16 UNC x 2-3/4 Gr.5
33	532137266	Nut 9/16top Lock Flng Cntr			
35	532133835	Fastner Christmas Tree	--	532145024	Deck Serv 42" Elec Vent (Standard Deck - Order Nose Roller, Gauge Wheel and Mulcher Plate components separately Key Nos. 90-95 and 111-121)
36	532131494	Pulley Idler Flat 3 060			
37	819131316	Washer 13/32 X 13/16 X 16 Ga			
38	532132823	Spacer Spring Stop Idler			
40	873680600	Nut Lock 3/8-16 Unc			
44	532140088	Guard Mandrel LH Black	--	532130794	Mandrel Assembly (Includes Key Numbers 8-10, 12-15, 31 and 33)
46	532137729	Screw Thdrol 1/4-20x5/8			
54	532133943	Washer Hardened			

NOTE: All component dimensions given in U.S. inches
1 inch = 25.4 mm



MOWER LIFT



O

MOWER LIFT

KEY NO.	PART NO.	DESCRIPTION
1	532159460	Wire Asm Inner/Sprg W/plunger LT
2	532159471	Shaft Asm Lift
3	532105767	Pin Groove
4	812000002	E Ring #5133-62
5	819211621	Washer 21/32 X 1 X 21 Ga.
6	532120183	Bearing Nylon Blk 629 Id
7	532125631	Grip Handle Fluted Blk
8	532124526	Button Plunger Black
11	532139865	Link Lift LH Mower
12	532139866	Link Lift RH Mower
13	532124670	Retainer Spring
15	532127218	Link Front
16	873350800	Nut Jam Hex 1/2-13 Unc
17	532130171	Trunnion Blk Zinc
18	873800800	Nut Lock W/wsh 1/2-13unc
19	532139868	Arm Suspension Rear
20	532124660	Retainer Spring
23	532110807	Nut Special
24	819131016	Washer 13/32 x 5/8 x 16 Ga.
25	532124874	Spring 2-1/8"
26	876020308	Pin Cotter 3/32 x 1/2
27	532126971	Rod Adj Lift
28	873350600	Nut Hex Jam 3/8-16 UNC
29	532138057	Knob Inf 3/8-16 UNC
30	532150233	Trunnion Inf. Height
31	532140302	Bearing Put Lift Spherical
32	873540600	Nut Crownlock 3/8-24
36	532155097	Pointer Height Ind
37	532123935	Plug Hole
38	817490512	Screw Thdrol 5/16-18 x 3/4
40	819112410	Washer 11/32 x 1-1/2 x 10 Ga.
41	532155098	Ind Height STLT
49	532145212	Nut, Hex Flange Lock
50	532110452	Nut Push Phos & Oil

NOTE: All component dimensions given in U.S. inches
1 inch = 25.4 mm