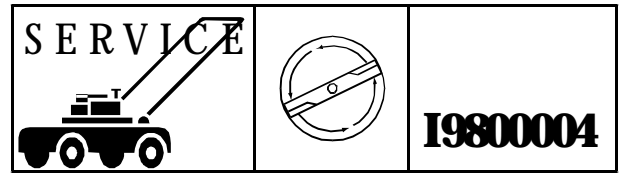


Jonsered



IPL, LT13 42", 1998-01, 106 24 86-61

LT13 42"

Spare parts

Ersatzteile

Pièces détachées

Reserve onderdelen

Repuestos

Reservdelar

P

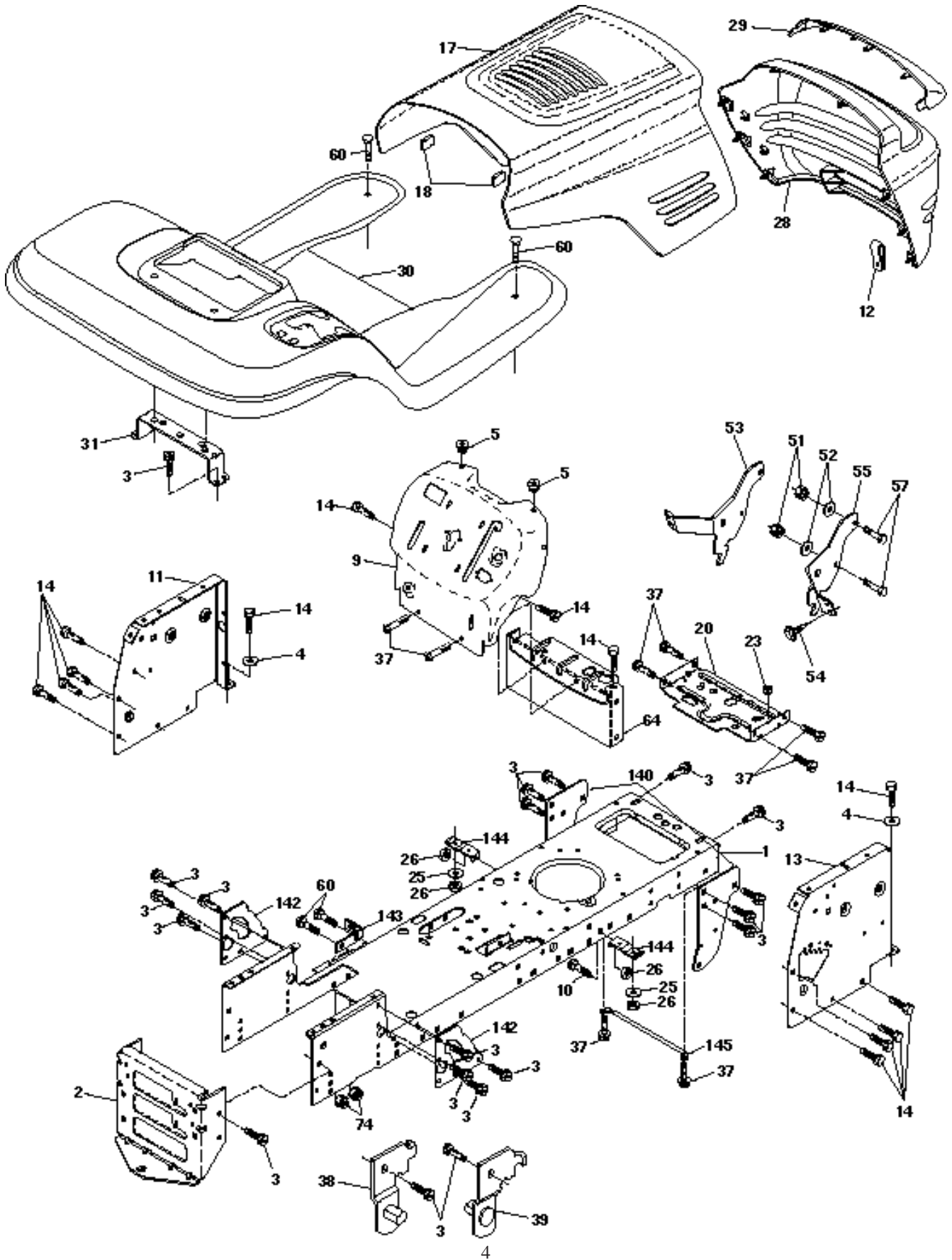
ELECTRICAL

KEY NO.	PART NO.	DESCRIPTION
1	532144925	Battery 12 Volt 25 AMP
2	874760412	Bolt Hex Hd 1/4-20unc X 3/4
3	819091016	Washer 9/32 X 5/8 X 16 Ga.
4	810040400	Washer Lock Hvy Helical 1/4
6	873220400	Nut Fin Hex 1/4-20 Unc
8	532156417	Case Battery Mech Hinge
16	532153664	Switch Interlock Push-In
19	810090400	Washer Lock 1/4
20	873350400	Nut Jam Hex 1/4-20 Unc
21	532147430	Harness Asm Light W/4152j
22	532004152	Bulb Light #1156
24	532124780	Cable Battery 6 Ga 11" red
25	532146147	Cable Battery 6 Ga 44" red w/16 wire
26	532108824	Fuse 30 AMP Auto Green
28	532124773	Cable Ground 6 Ga 12" black
29	532121305	Switch Plunger Nc Gray
30	532140301	Switch Ign 4 pos w/lights
31	532124211	Nut Ignition
32	532141226	Cover Sw Ignition
33	532122147	Key Ign Modelled Generic
40	532156442	Harness Ign.
41	871110408	Bolt Blk Fin Hex 1/4 - 20 x 1/2
42	532131563	Cover Terminal Red
43	532145673	Solenoid
44	873640400	Nut Keps Hex 1/4-20 Unc
45	532121433	Ammeter Rectangular 6 Amp
52	532141940	Protection Wire Loop
70	532140413	Harness, Eng. B&S/Tec Dual

NOTE: All component dimensions given in U.S. inches.
1 inch = 25.4 mm.

A

CHASSIS AND ENCLOSURES



A

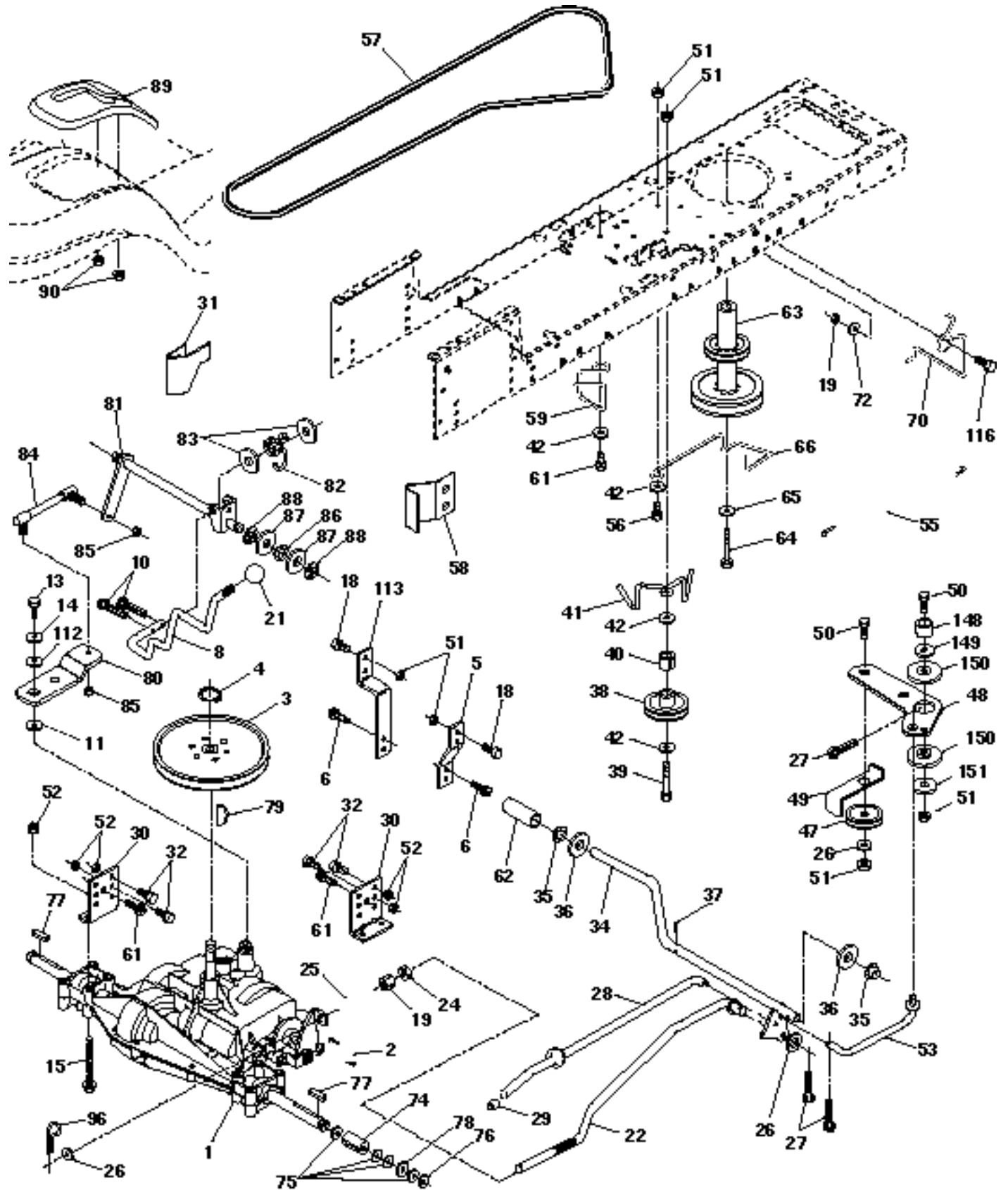
CHASSIS AND ENCLOSURES

KEY NO.	PART NO.	DESCRIPTION
1	532160392	Chassis Weldment
2	532140356	Drawbar, Stretch
3	817490612	Screw Thdrol 3/8-16x3/4 Ty-tt
4	819131216	Washer 13/32 x 3/4 x 16 Ga.
5	532155272	Bumper Hood/Dash
9	532163286	Dash P/L
10	872140608	Bolt Carriage 3/8-16 x 1
11	532155927	Panel Dash Lh
12	532145660	Clip Tinnerman Grille P/L
13	532157262	Panel Dash Rh
14	817490608	Screw Thdrol 3/8-16x1/2 Ty-tt
17	532150760	Hood LT/PL with Louvers
18	532126938	Bumper Hood
20	532156437	Plate Mtg Battery Fuel Tank Fr
23	532124028	Bushing
25	819131312	Washer 13/32 X 13/16 X 12 Ga
26	873800600	Nut Lock Hex W/Ins 3/8-16 Unc
28	532150671	Grille with Clips
29	532145199	Lens LT/PL Grille Shark Plain
30	532156793	Fender Footrest
31	532139976	Bracket Support Fender
37	817490508	Screw Thdrol 6/16-18 x 1/2 TYT
38	532139886	Bracket, Asm. Pivot, L.H., Mower Rear
39	532139887	Bracket, Asm. Pivot, R.H., Mower Rear
51	873800400	Nut Lock Hex W/Ins 1/4-20
52	819091416	Washer 9/32 x 7/8 x 16 Ga.
53	532145201	Bracket Pnt. Pickoff LH
54	532161464	Screw Hex Wshd 8-18 x 7/8
55	532145202	Bracket Grille Pickoff RH
57	874780412	Bolt Hex 1/4-20 x 3/4
60	872140606	Bolt Rdhd Sqnk 3/8-16unc x 3/4
64	532154798	Dash Lower STLT
74	873680600	Nut Crownlock 3/8-16 UNC
140	532158418	Bracket Suspension Front
142	532156095	Plate Reinforcement STLT
143	532154966	Bracket Swaybar Chassis
144	532154207	Bracket Pnt Footrest STLT
145	532156524	Rod Pivot Chassis/Hood
--	532005479	Plug Button

NOTE: All component dimensions given in U.S. inches
1 inch = 25.4 mm

L

DRIVE



L

DRIVE

KEY NO.	PART NO.	DESCRIPTION	KEY NO.	PART NO.	DESCRIPTION
1	-----	Transaxle (See Breakdown) Peerless 206-508C	53	532105710	Link Clutch
2	532146682	Spring Return Brake T/a Zinc	55	532105709	Spring Return Clutch 6 75
3	532123666	Pulley Transaxle 18" tires	56	874760620	Bolt Fin Hx 3/8-16 X 1/4
4	812000028	Ring Retainer # 5100-62	57	531013136	V-Belt Ground Drive 95 25
5	532121520	Strap Torque 30 Degrees	58	532127274	Keeper Belt RH LT Pnt/zinc 16g
6	817490512	Screw Thdrol 5/16-18 X 3/4 TYT	59	532140312	Keeper Belt Span Ctr
8	532154792	Rod Shifter	61	817490612	Screw Thdrol 3/8-16x3/4 Ty-tt
10	876020416	Pin Cotter 1/8 X 1 Cad	62	532124872	Cover Pedal Round
11	532105701	Washer Plate Shf 388 Sq Hole	63	532140186	Engine Pulley LT/YT
13	874550412	Bolt 1/4-28 Unf Gr 8 W/Patch	64	871170764	Bolt Hex
14	810040400	Washer Lock Hvy Helical 1/4	65	810040700	Washer Lock Hvy Hlcl Spr 7/16
15	874490544	Bolt Hex 5/16-18 Gr. 5	66	532154778	Keeper Belt Engine Foolproof
18	874780616	Bolt, Fin Hex 3/8-16 UNC x 1 Gr. 5	70	532134683	Guide Belt Mower Drive RH
19	873800600	Nut Lock 3/8-16 Unc	72	819132012	Washer 13/32 X 1-1/4 X 12 Ga
21	532140845	Knob	74	532137057	Spacer Axle
22	532130804	Rod Brake Blk Zinc 26 840	75	532121749	Washer 25/32 X 1 1/4 X 16 Ga
24	873350600	Nut Hex Jam 3/8-16 Unc	76	812000001	E-ring #5133-75
25	532106888	Spring Rod Brake 2 00 Zinc	77	532123583	Key Square 2 0 X 1845/ 1865
26	819131316	Washer 13/32 X 13/16 X 16 Ga	78	532121748	Washer 25/32 X 1-5/8 X 16 Ga
27	876020412	Pin Cotter 1/8 X 3/4 Cad	79	532125096	Key Woodruff #9 3/16 x 3/4
28	532145204	Rod Brake Parking LT/YT	80	532131486	Arm Shift
29	532071673	Cap Brake Parking Black	81	532161076	Shaft Asm Cross 18"t
30	532130807	Bracket Mtg Transaxle	82	532123782	Spring Torsion T/a
31	532127275	Keeper Belt LH LT 14 Ga	83	819171216	Washer 17/32 X 3/4 X 16 Ga
32	874760512	Bolt Hex Hd 5/16-18unc X 3/4	84	532123793	Rod Shift
34	532155071	Shaft Asm Pedal Foot	85	532150360	Nut Lock Center 1/4 - 28 FNTHD
35	532120183	Bearing Nylon Blk 629 Id	86	532157480	Bushing
36	819211616	Washer 21/32 X 1 X 16 Ga	87	819212016	Washer 21/32 X 1-1/4 X 16 Ga
37	532124963	Pin Roll 3/16 X 1"	88	812000008	Ring Klip #5304-62
38	532123674	Pulley Idler Flat	89	532158391	Console Shift STLT
39	874760644	Bolt Fin Hex 3/8-16unc X 2-3/4	90	532124346	Nut Self-thd Wsh-hd 1/4 Zinc
40	532124965	Spacer Split 395 X 59 Bzp	96	532124788	Retainer Spring 1"
41	532154777	Keeper Belt Retainer Idler Foolproof	112	819091210	Washer 9/32 x 3/4 x 10 Ga.
42	819131312	Washer 13/32 X 13/16 X 12 Ga	113	532127285	Strap Torque LT
47	532127783	Pulley Idler V Groove Plastic	116	872110610	Bolt Rdhd Sq Neck 3/8-16 x 1.25
48	532154407	Bellcrank Clutch Grnd Driv	148	532159103	Spacer
49	532123205	Retainer Belt Style Spring	149	532122052	Spacer Retainer PM Mower
50	874760624	Bolt Hex Hd 3/8-16unc X 1-1/2	150	532150935	Bushing Nylon Collered
51	873680600	Nut Crownlock 3/8-16 Unc	151	819133210	Washer 13/32 x 2 x 10 Ga.
52	873680500	Nut Crownlock 5/16-18 Unc			

NOTE: All component dimensions given in U.S. inches
1 inch = 25.4 mm

H

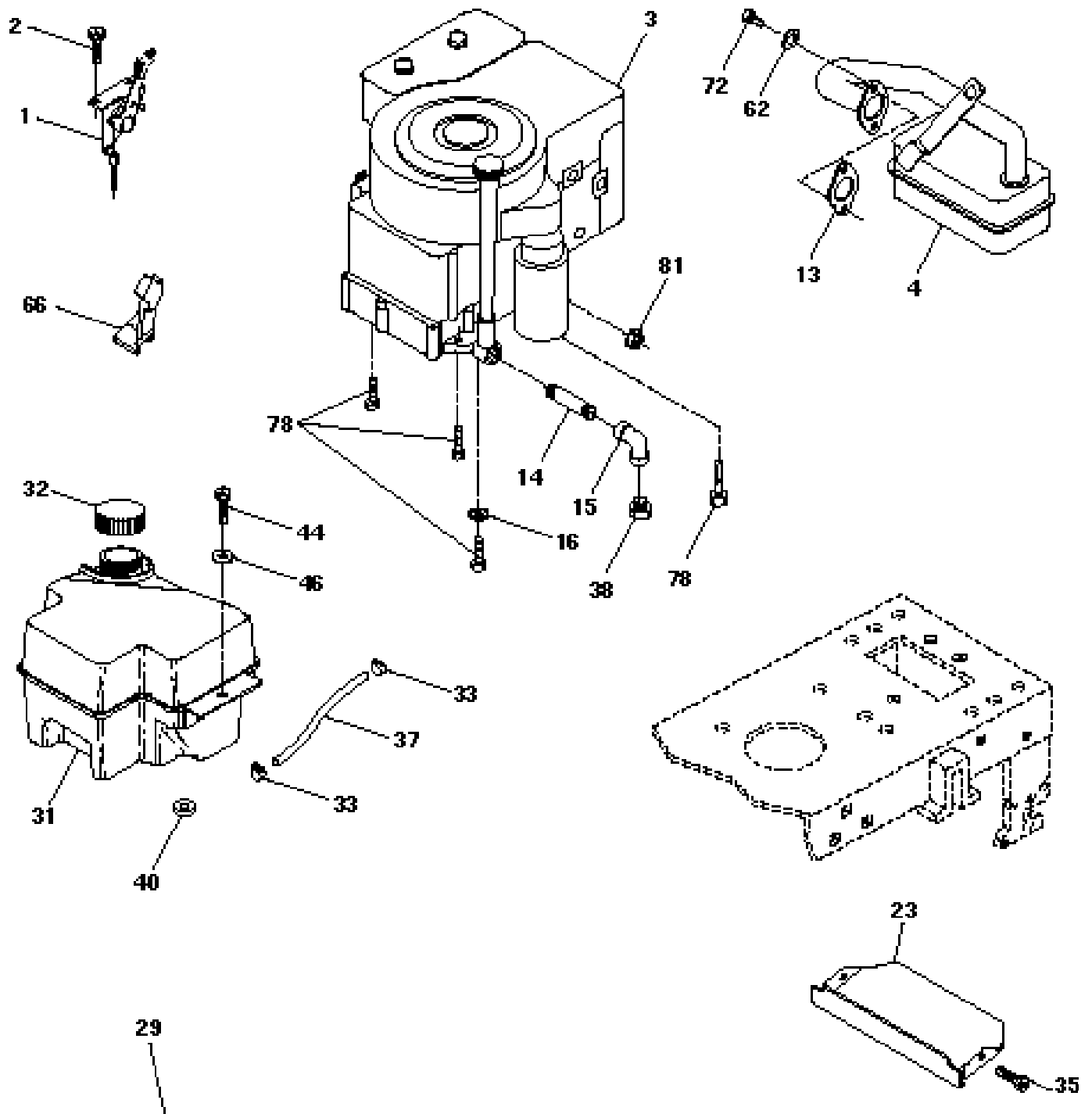
STEERING ASSEMBLY

KEY NO.	PART NO.	DESCRIPTION
1	532140044	Wheel Steering
2	532154427	Axle Asm STMP Dropped STL
3	532156483	Spindle Asm LH
4	532157473	Spindle Asm RH
5	532124931	Bearing Race Thrust Harden
6	532121748	Washer 25/32 X 1-5/8 X 16 Ga
7	819272016	Washer 27/32 X 1-1/4 X 16 Ga
8	812000029	Ring Klip #t5304-75
9	532124937	Bearing Col Strg Blk
10	532156438	Link Drag Extended Stamp
11	810040600	Washer Lock Hvy Hlcl Spr 3/8
13	532154779	Bearing Axle STLT/GT
15	873901000	Nut Lock Flange 5/8-11 Unc
17	532156546	Shaft Asm Strg
18	532057079	Washer Thrust 515x 750x 033
19	532124035	Support Shaft
20	532126684	Washer Shim 1/4 X 5/8 X 062
22	871200410	Screw Hex Socket 1/4-20 x 5/8
23	532127501	Shaft Asm Pittman
25	532154406	Bracket Steering
26	532126847	Bushing Link Drag Blk LR
27	532136874	Gear Sector
28	819131416	Washer 13/32 X 7/8 X 16 Ga
29	817490612	Screw Thdrol 3/8-16x3/4 Ty-tt
30	876020412	Pin Cotter 1/8 X 3/4 Cad
32	532130465	Rod Tie Wire Form 19 75 Mech
36	532155099	Bushing Strg
37	532152927	Screw
38	532140045	Insert Cap Strg Wh Au
39	819133808	Washer 13/32 X 2-3/8 X 8 Ga
40	532124701	Lock nut
41	532100711	Adaptor Wheel Strg
42	532145054	Boot Steering Shaft
43	532121749	Washer 25/32 X 1 1/4 X 16 Ga
44	532153720	Extension Steering Shaft LR/LT
46	532121232	Cap Spindle Fr Top Blk
47	532124836	Fitting Grease
51	873800500	Nut Lock Hex w/Ins 5/16-18
54	874780520	Bolt Fin Hex 5/16-18 Unc x 1-1/4
62	532156594	Kit, Steering Assembly Svc
63	874780616	Bolt Fin Hex 3/8-16unc x 1 Gr. 5
65	532154780	Spacer Axle
66	532154404	Bearing Arm Pittman
67	874781044	Bolt, Fin Hex 5/8-11 UNC x 2-3/4
68	532154429	Axle, Brace

NOTE: All component dimensions given in U.S. inches.
1 inch = 25.4 mm.

F

ENGINE



OPTIONAL EQUIPMENT
Spark Arrester

F

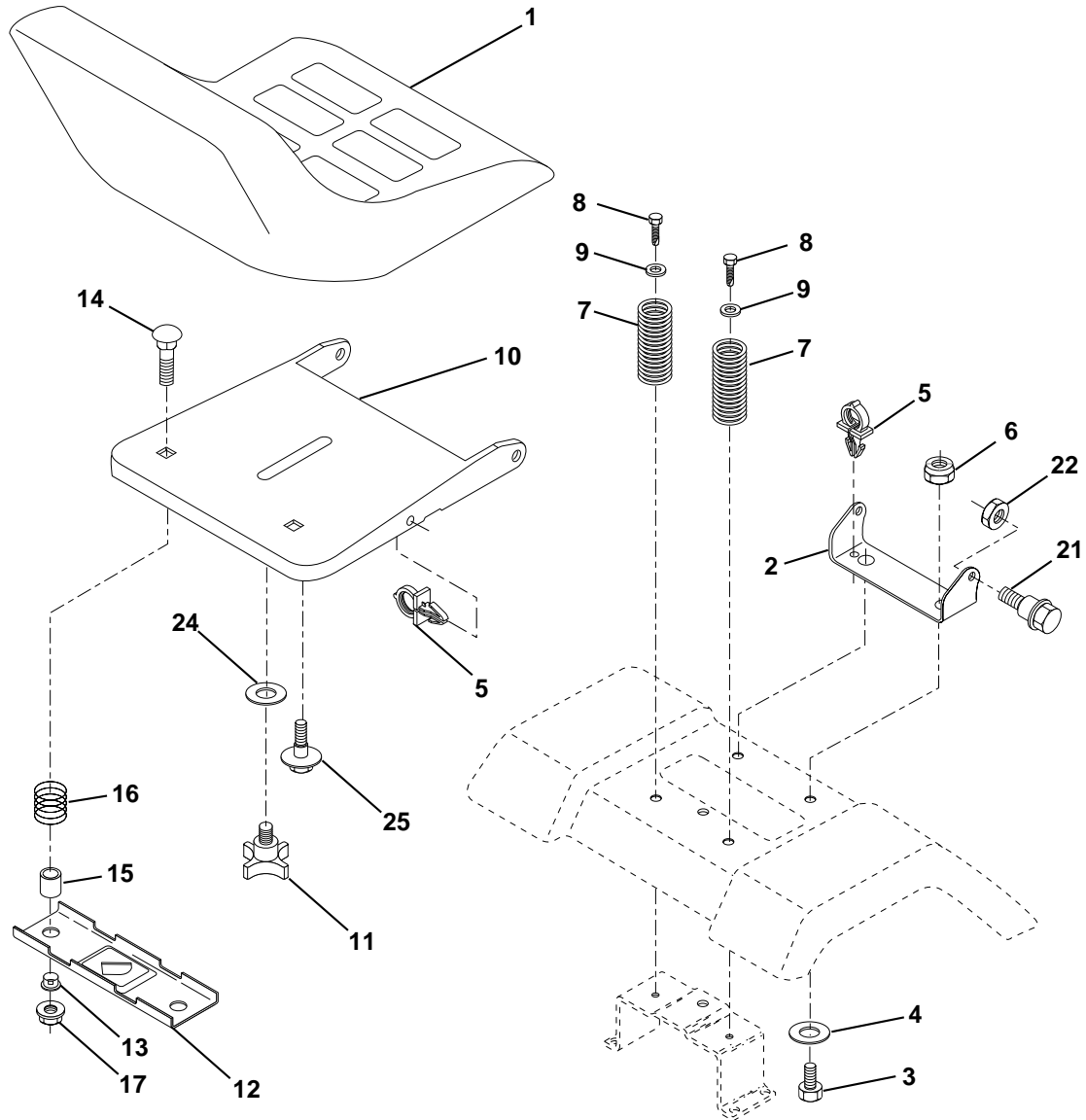
ENGINE

KEY NO.	PART NO.	DESCRIPTION
1	532141359	Control Th/ch 20.22 LH Flag
2	817720410	Screw Hex Thd Cut 1/4-20x5/8 T
3	-----	Engine B&S Model No. 28M707
4	532137352	Muffler LT B&S 14 HP IC OHV
13	532272293	Gasket Eng 1 313 Id Tin Plated
14	813280324	Nipple Pipe 3/8 Npt X 3"
15	813200300	Elbow Std 90 Degree 3/8-18 Npt
16	811050600	Washer Lock Ext Tooth 3/8
23	532159880	Shield Brn/Dbr Guard
29	532137180	Kit Spark Arrestor (Flat Scrn)
31	532161911	Tank Fuel Front 2 00
32	532140527	Cap Asm Fuel W/sym Vented
33	532123487	Clamp Hose Black
35	817490512	Screw
37	532137040	Line Fuel 20"
38	-----	Plug Oil Drain (Order From Engine Manufacturer)
40	532124028	Bushing Snap Nyl Blk Fuel Line
44	817490412	Screw Hexwsh Thdrol 1/4-20x3/4
46	819091416	Washer 9/32 X 7/8 X 16 Ga
62	810040500	Washer Lock Hvy Hlcl Spr 5/16
66	532127951	Stop Throttle 3000 RPM
72	871070512	Screw Hexhd Cap 5/16-18x 3/4
78	817490620	Screw Thdrol 3/8-16x1-1/4 TYTT
81	532128861	Nut Flange 1/4-20 Starter Nut

NOTE: All component dimensions given in U.S. inches
1 inch = 25.4 mm

C

SEAT ASSEMBLY



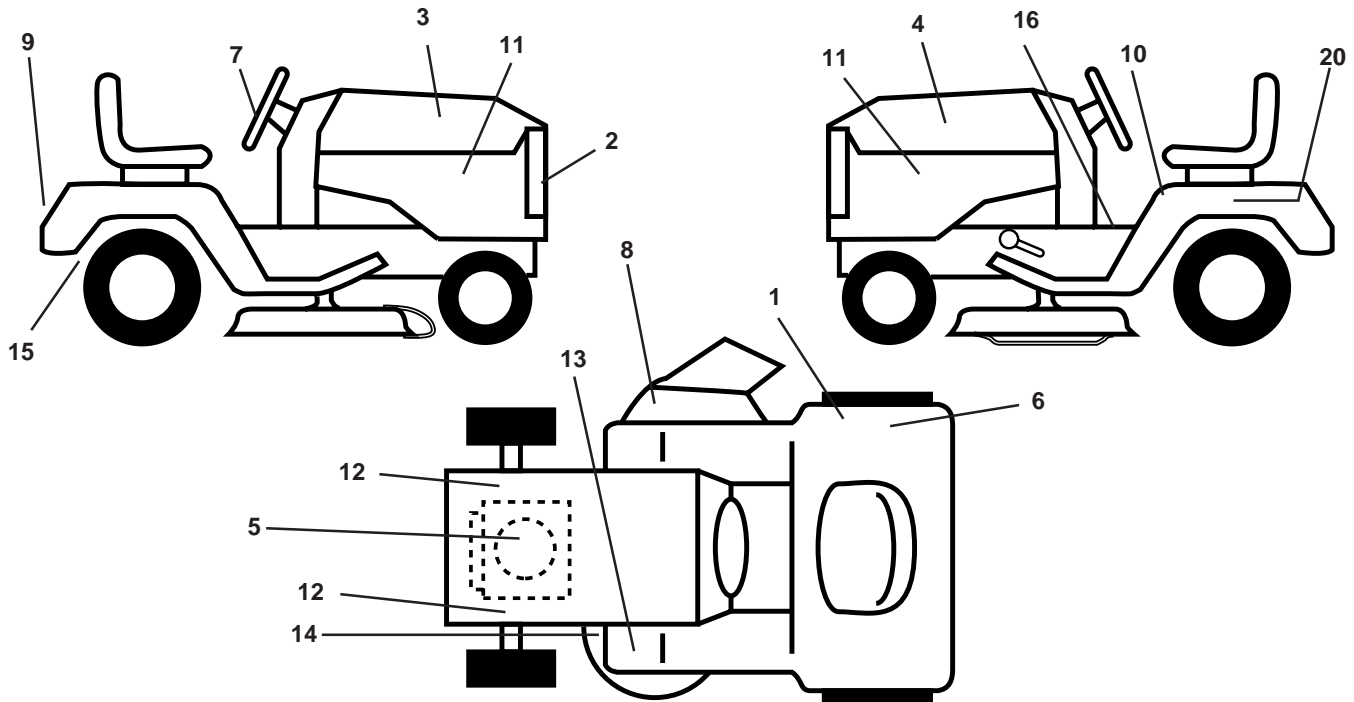
KEY NO.	PART NO.	DESCRIPTION
1	532140117	Seat
2	532140551	Bracket Pivot Seat 8 720
3	874760616	Bolt Fin Hex 3/8-16unc X 1
4	819131610	Washer 13/32 X 1 X 10 Ga
5	532145006	Clip Push-In
6	873800600	Nut Hex w/Ins. 3/8-16 Unc
7	532124181	Spring Seat Cprsn 2 250 Blk Zi
8	817490616	Screw Thdrol 3/8-16 X 1 Ty-tt
9	819131614	Washer 13/32 X 1 X 14 Ga.
10	532155925	Pan Seat
11	532120068	Knob Seat 1/2-13 Unc Blk
12	532121246	Bracket Mounting Switch

KEY NO.	PART NO.	DESCRIPTION
13	532121248	Bushing Snap Blk Nyl 50 Id
14	872050412	Bolt Rdhd Sqnk 1/4-20x1-1/2
15	532134300	Spacer Split 28x96 Yel Zinc
16	532121250	Spring Cprsn 1.27 Blk Pnt
17	532123976	Nut Lock 1/4 Lge Flg Gr 5 Zinc
18	532153236	Bolt Shoulder 5/16-18 Unc
22	873800500	Nut Hex Lock W/Ins 5/16-18
24	819171912	Washer 17/32 X 1-3/16 X 12 Ga.
25	532127018	Bolt Shoulder 5/16-18 X 62

NOTE: All component dimensions given in U.S. inches.
1 inch = 25.4 mm

R

DECALS

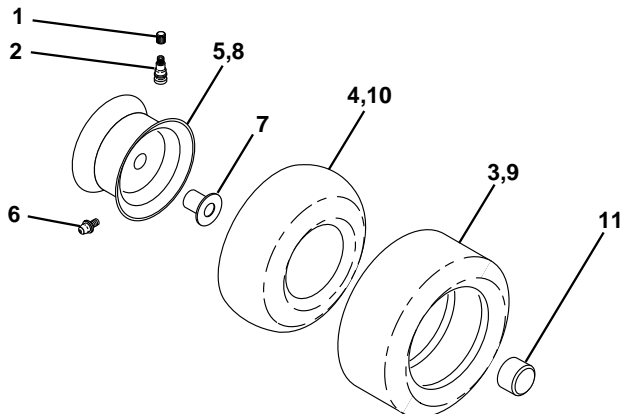


KEY NO.	PART NO.	DESCRIPTION
1	532126187 *	Decal 100 DBA
2	532152262 *	Decal Grille Jonsered Sweden
3	532157003	Decal Hood RH
4	532157004	Decal Hood LH
5	532273212 *	Decal HP Engine
6	532145437 *	Decal Europe Stand CE
7	532152252 *	Decal, Ins. Strg Whl. Jons.
8	532145494 *	Decal Mower Cutfinger
9	532141761 *	Decal Fender Jonsered
10	532145498 *	Decal Read Owner's Manual Syms.
11	532162927 *	Decal Hood Insert B&S White
12	532159736 *	Decal Chassis Hot Muffler
13	532159737 *	Decal Brake/Clutch Symbol LT
14	532160396 *	Decal V-Belt Schematic
15	532162598 *	Decal Drawbar Load Limit

KEY NO.	PART NO.	DESCRIPTION
16	532140837 *	Decal Saddle Brake Parking
20	532145005 *	Decal Bat Dan/Psn
--	532154515	Pad Footrest LH STLT
--	532154516	Pad Footrest RH STLT
--	532138311	Decal Handle Lift Height Adjust
--	532162490	Manual Operator's (Euro.)
--	532162491	Manual Operator's (Scan.)
Available accessories not included with tractor:		
--	LSB42	42" Snow Blade
--	CE42	Grass Catcher
--	LC05	Wheel Weights
--	LSB48	Snow Blade
--	LCO6	Tire Chain
--	Mk420	Mulch Kit w/Blades

* Note: Not in stock, but can be delivered directly from factory.

WHEELS & TIRES

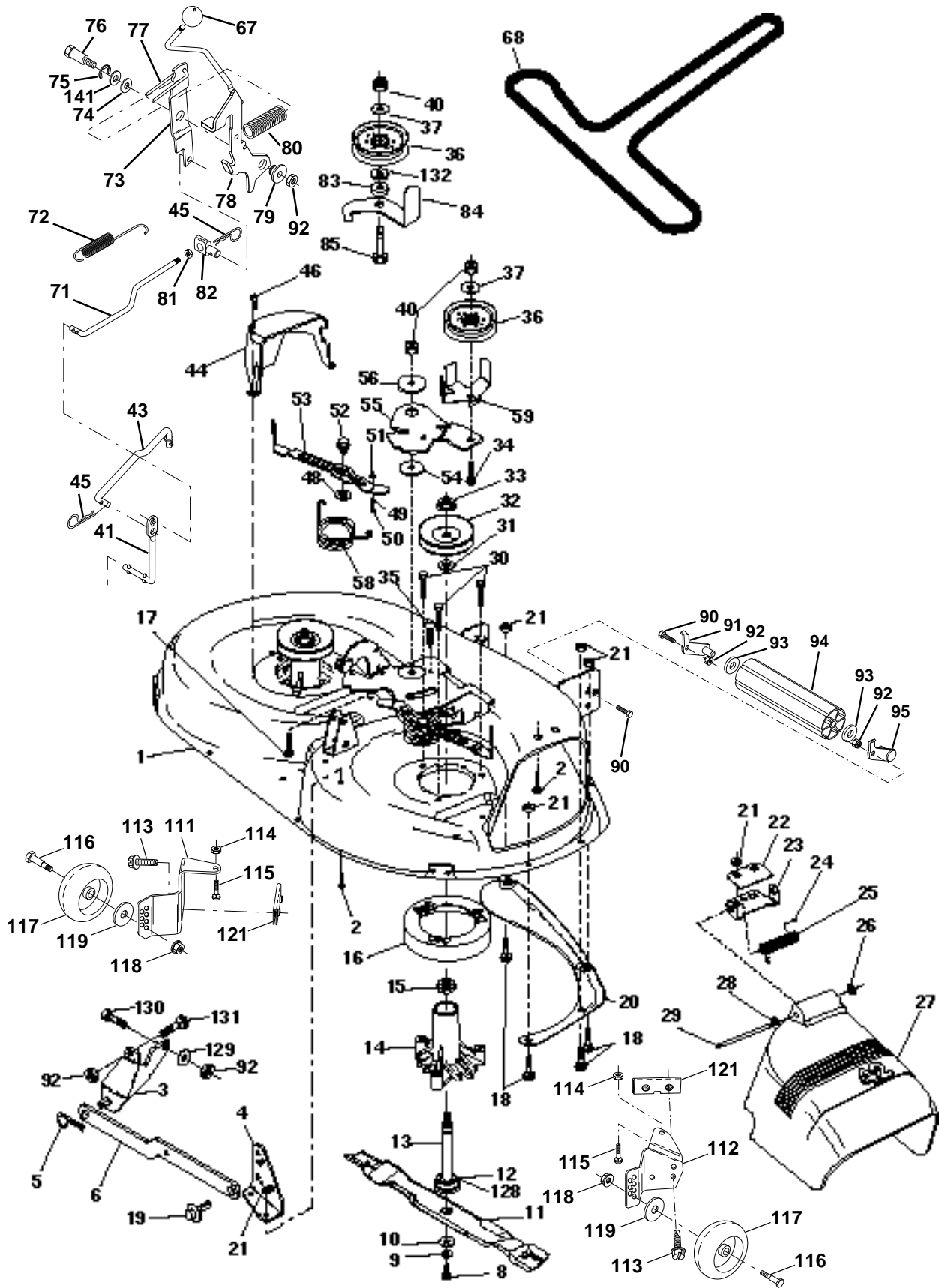


KEY NO.	PART NO.	DESCRIPTION
1	532059192	Cap Valve Tire
2	532065139	Stem Valve
3	532106222	Tire F Ts 15 X 6 0 - 6 Service
4	532059904	Tube Front (Service Item Only)
5	532138336	Rim Asm 6" front Silver Service
6	532124957	Fitting Grease (Front Wheel Only)
7	532124959	Bearing Flange (Front Wheel Only)
8	532138337	Rim Asm 8" rear Silver Service
9	532106268	Tire R Ts 18x9 5-8 C Service
10	532124926	Tube Rear (Service Item Only)
11	532104757	Cap Axle Blk 1 50 X 1 00

NOTE: All component dimensions given in U.S. inches
1 inch = 25.4 mm

M

MOWER DECK



M

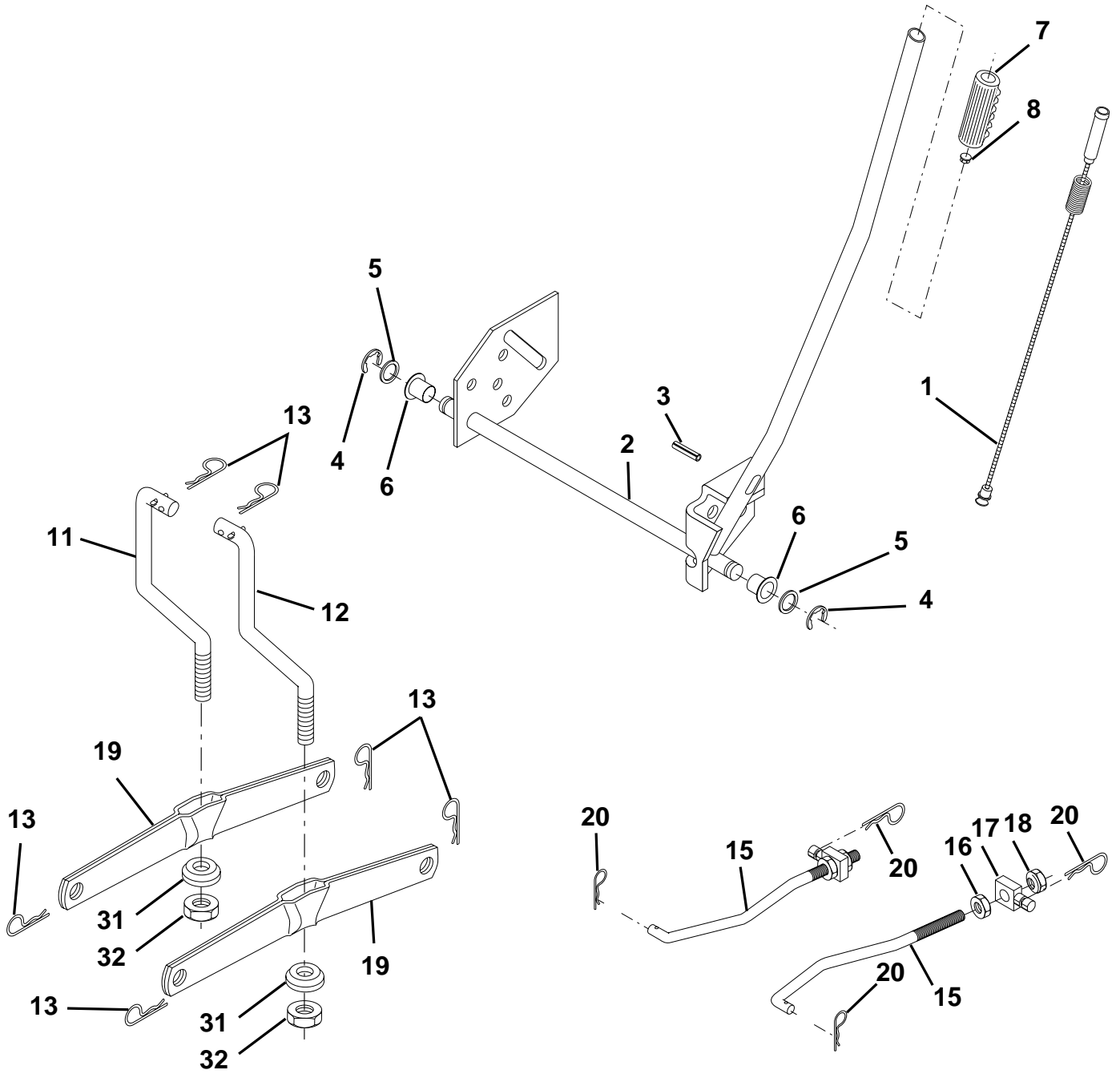
MOWER DECK

KEY NO.	PART NO.	DESCRIPTION	KEY NO.	PART NO.	DESCRIPTION
1	532144393	Housing Asm Mower 42"94 T-Path	56	532122052	Spacer Retainer Pm Mower
2	872140506	Bolt Rdhd Sqnk 5/16-18unc X3/4	58	532140086	Spring Torsion Brakes
3	532138017	Bracket Asm Fr Sway Bar 38/42	59	532141043	Guard, Belt
4	532138440	Bracket Asm Deck 42"sway Bar	67	532162132	Knob Rd 7/16-14 Plstc Thds Blk
5	532124670	Retainer Spring	68	531013141	V-Belt Mower
6	532130832	Arm Suspension Rear	71	532142427	Rod Clutch Primary 38/42
8	532850857	Bolt 3/8-24x1 25 Gr8 Patched	72	532131870	Spring Return
9	810030600	Washer Lock Hvy 3/8 Unplated	73	532127847	Arm Clutch Secondary
10	532140296	Washer Hard Blade Mower Vented	74	532121748	Washer 25/32 X 1-5/8 X 16 Ga
11	531013134	Blade Mower High Lift"	75	812000029	Ring Klip #5304-75
12	532129895	Bearing Ball #6204 (Mandrel)	76	532128903	Bolt shoulder
13	532137645	Shaft Asm W/lower Bearing	77	532127845	Keeper Spring 4 000
14	532128774	Housing Mandrel Vented(machd)	78	532160570	Lever Asm Clutch Primary
15	532110485	Bearing Ball Mandrel	79	532127498	Bushing 747 OD X 794 Lg Brass
16	532140329	Stripper Round Mower	80	532153701	Spring Clutch Mower
17	872110610	Bolt Rdhd Sqnk 3/8-16 X 2-1/4	81	873350600	Nut Hex Jam 3/8-16
18	872140505	Bolt Carr 5/16-18 X 5/8	82	532142028	Trunnion Adj94
19	532132827	Bolt Shoulder	83	532120958	Washer Sintered
20	532136888	Baffle Vortex 42	84	532156084	Keeper Belt Idler
21	873680500	Nut Crown Lock 5/16-18	85	872140618	Bolt Rdhd Sq 3/8-16 Unc x 2-1/4
22	532134753	Stiffener Bracket 42"deck	90	874760616	Bolt Fin Hex 3/8-16unc X 1
23	532131267	Bracket Deflector Mower 42"	91	532132274	Bracket Asm Noseroller LH
24	532105304	Cap Sleeve 80x 112 Blk Mower	92	873800600	Nut Lock Hex w/ins. 3/8-16 UNC
25	532123713	Spring Torsion Deflector 2 52	93	819171416	Washer 17/32 X 7/8 X 16 Ga
26	532110452	Nut Push Phos & Oil	94	532132264	Roller Nose 38 & 42
27	532130968	Shield Deflector	95	532132273	Bracket Asm Noseroller RH
28	819111016	Washer 11/32 X 5/8 X 16 Ga	111	532155197	Bracket Gauge Wheel Lh
29	532131491	Rod Hinge 42"6 75 Wlg	112	532155198	Bracket Gauge Wheel Rh
30	532157722	Screw Thd Rolling Washer Head	113	817490512	Screw Thdrol 5/16-18 x 3/4
31	532129963	Washer Spacer Mower Vented	114	873510500	Nut Keps 5/16-18 UNC
32	532153535	Pulley Mandrel	115	872110504	Bolt Carriage 5/16-18unc x 1/2
33	532137266	Nut 9/16top Lock Flng Cntr	116	532146851	Bolt Shoulder
34	872110614	Bolt RDHD 3/8-16 UNC x 2-3/4 Gr.5	117	532146850	Wheel Gauge Medium
35	532133835	Fastner Christmas Tree	118	873930600	Nut Centerlock 3/8-16 UNC
36	532131494	Pulley Idler Flat 3 060	119	819121414	Washer 3/8 x 7/8 x 14 Ga.
37	819131316	Washer 13/32 X 13/16 X 16 Ga	121	532143723	Bracket Extruded Gauge Wheel
40	873680600	Nut Lock 3/8-16 Unc	128	532153390	Washer Felt
41	532133551	Rod Pivot W/nibs	129	819131312	Washer 13/32 x 13/16 x 12 Ga.
43	532140083	Rod Clutch Secondary W/nibs	130	874780616	Bolt Fin Hex 3/8-16 Unc x 1 Gr. 5
44	532140088	Guard Mandrel LH Black	131	872140608	Bolt Rdhd Sqnk 3/8-16 Unc x 1
45	532124788	Spring Retainer 1" Zinc/cad	132	819132203	Washer 13/32 X 1-3/8 X 3 Ga.
46	532137729	Screw Thdrol 1/4-20x5/8	141	532124931	Washer Thrust .75 x 1.230
48	532133944	Washer Hardened Samllr	--	532144783	Deck Serv 42" Elec Vent (Standard Deck - Order Nose Roller, Gauge Wheel and Mulcher Plate components separately Key Nos. 90-95 and 111-121)
49	532155066	Roller Asm Cam Follower 42" dec	--	532130794	Mandrel Assembly (Includes Key Numbers 8-10, 12-15, 31 and 33)
50	532131340	Bolt Shldr 10-24 Zinc Gr 5 42"			
51	532069180	Nut Lock #10-24 Unc			
52	532139888	Bolt Shoulder 5/16-18 Unc Blkz			
53	532157388	Arm Asm Pad Brake			
54	532133943	Washer Hardened			
55	532155046	Arm Idler 42"mower LT/YT			

NOTE: All component dimensions given in U.S. inches
1 inch = 25.4 mm

O

MOWER LIFT



O

MOWER LIFT

KEY NO.	PART NO.	DESCRIPTION
1	532159460	Wire Asm Inner/Sprg w/Plunger LT
2	532159471	Shaft Asm Lift-RH
3	532105767	Pin Groove
4	812000002	E Ring #5133-62
5	819211621	Washer PLTD 21/32 X 1 X 21ga
6	532120183	Bearing Nylon Blk 629 Id
7	532125631	Grip Handle Fluted
8	532124526	Button Plunger Black
11	532139865	Link Lift LH
12	532139866	Link Lift RH
13	532124670	Retainer Spring
15	532127218	Link Front
16	873350800	Nut Jam Hex 1/2-13 Unc
17	532130171	Trunnion Blk Zinc
18	873800800	Nut Lock W/wsh 1/2-13unc
19	532139868	Arm Suspension Rear
20	532124660	Spring, Retainer
31	532140302	Bearing Pvt. Lift Spherical
32	873540600	Nut Crownlock 3/8-24

NOTE: All component dimensions given in U.S. inches
1 inch = 25.4 mm