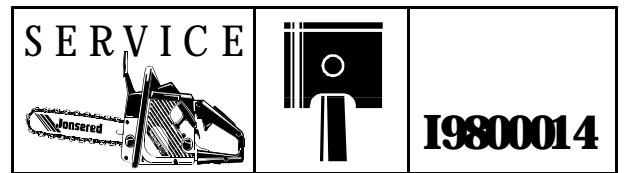


Jonsered



IPL, 2095, 1998-03, 106 24 96-61

2095

Spare parts

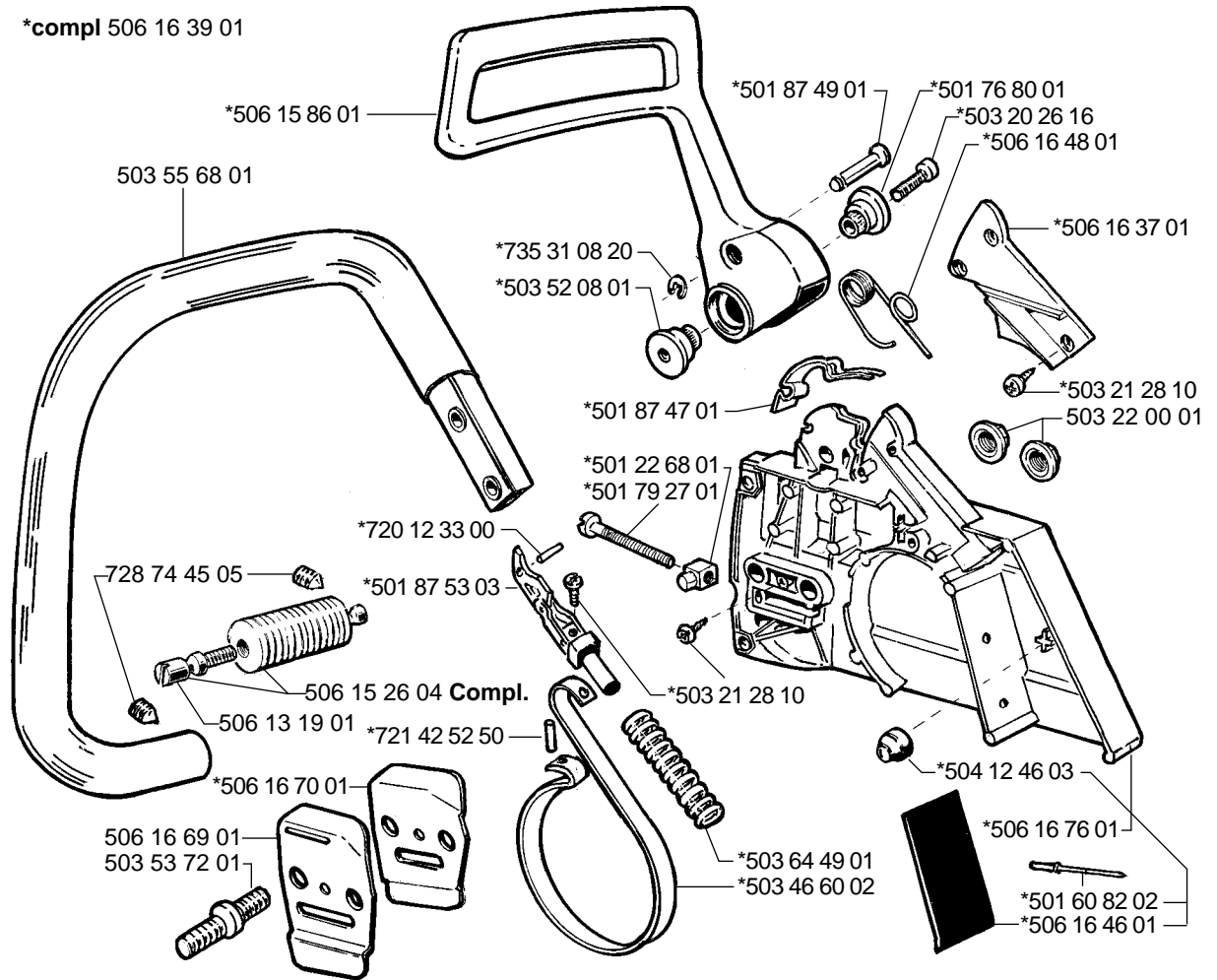
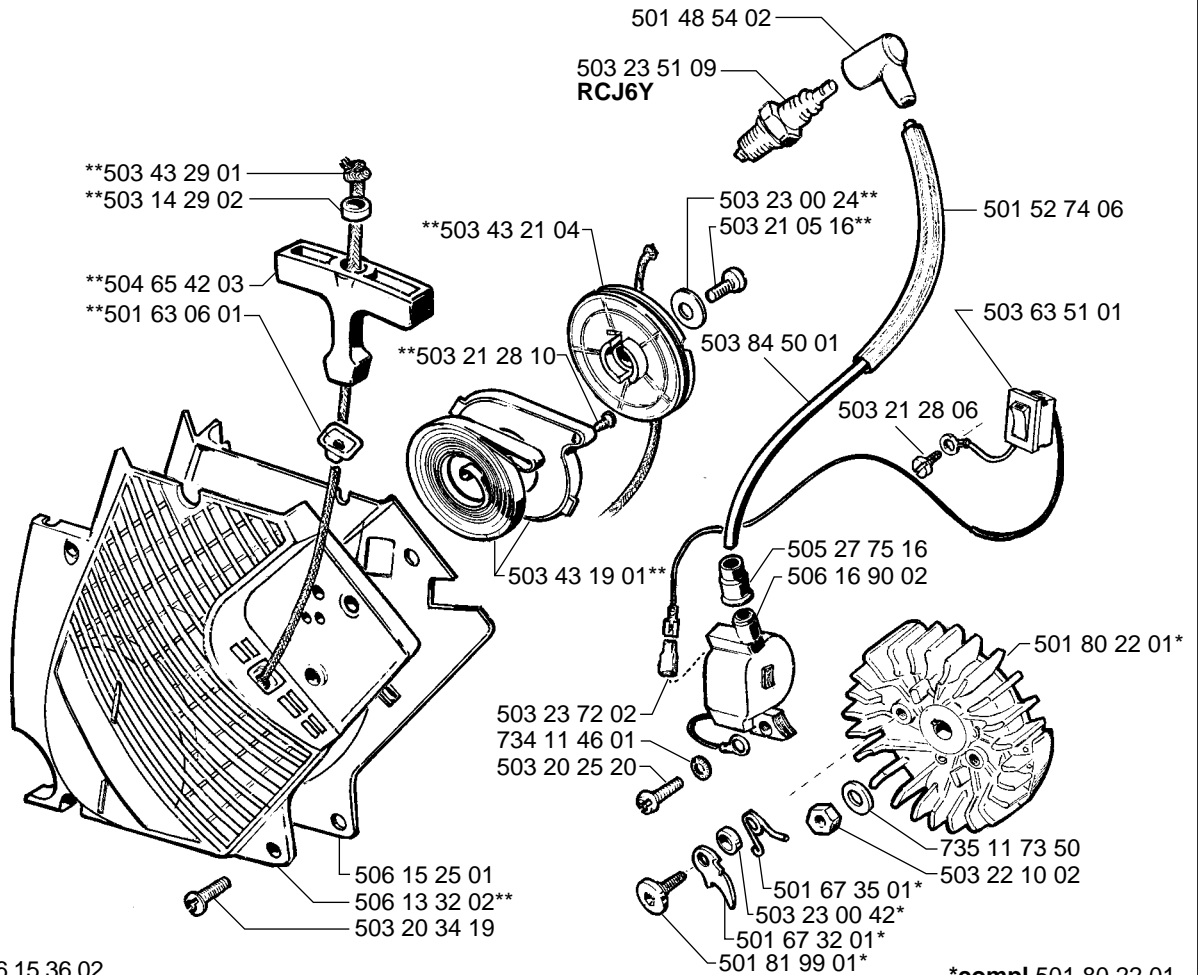
Ersatzteile

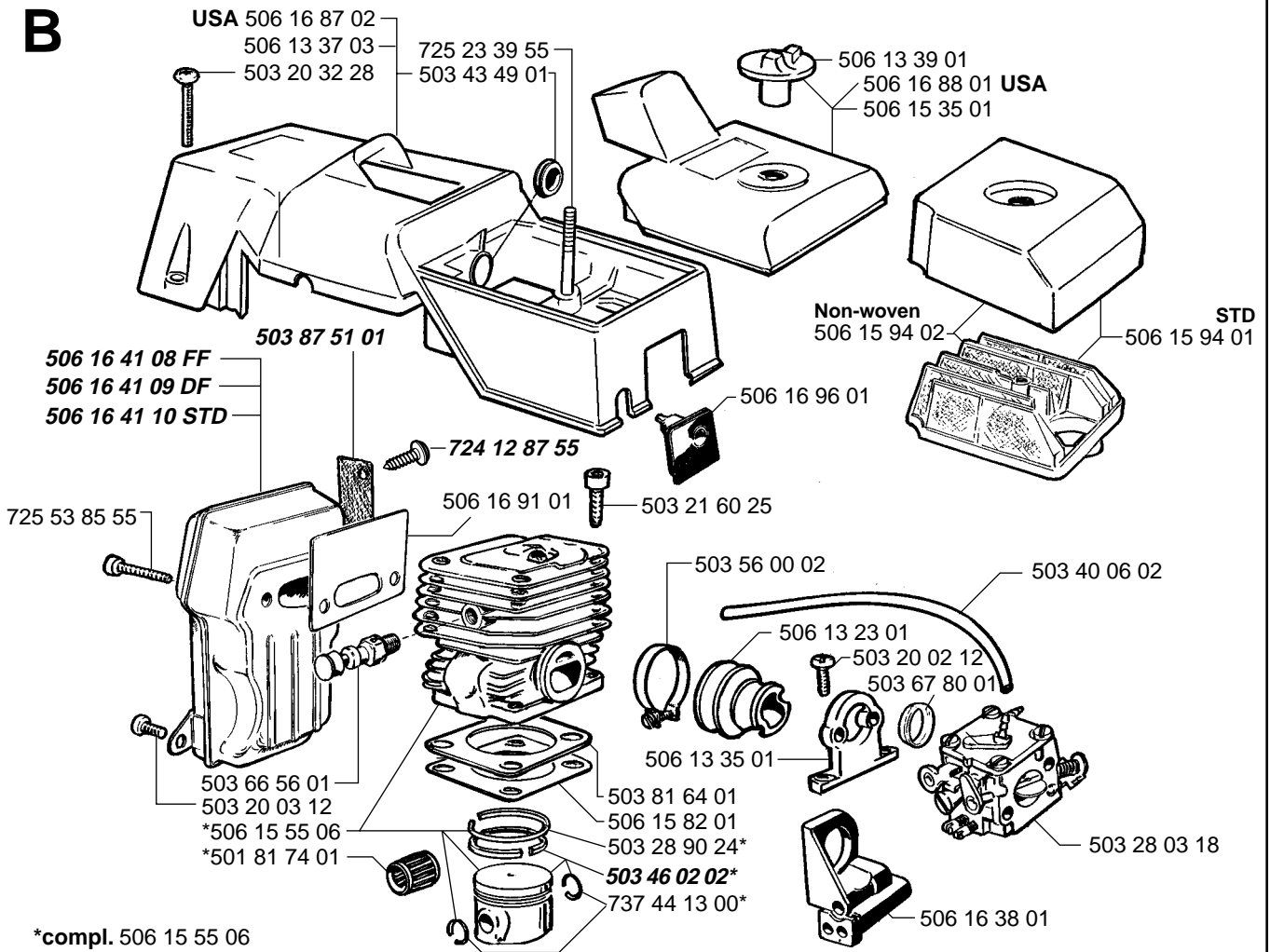
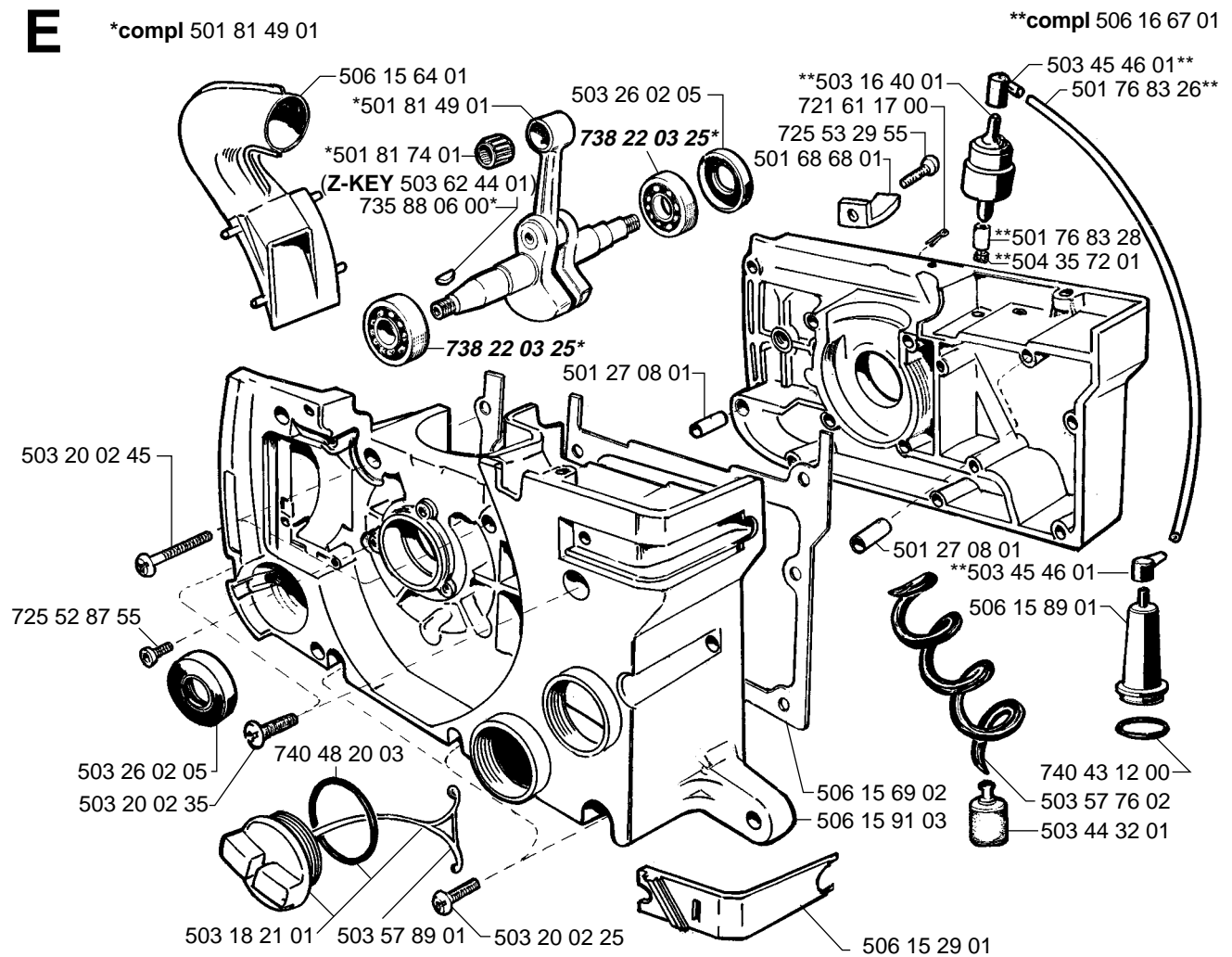
Pièces détachées

Reserve onderdelen

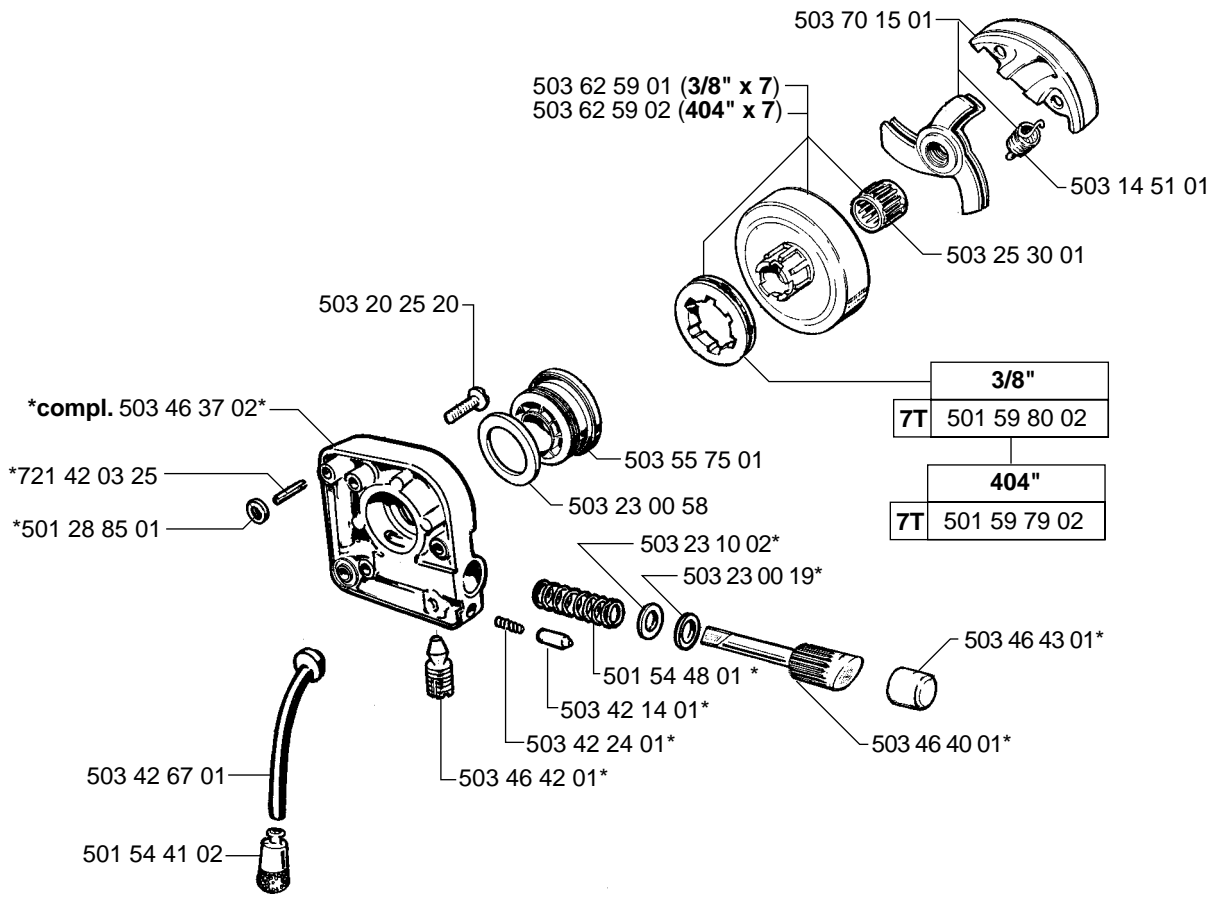
Repuestos

Reservdelar

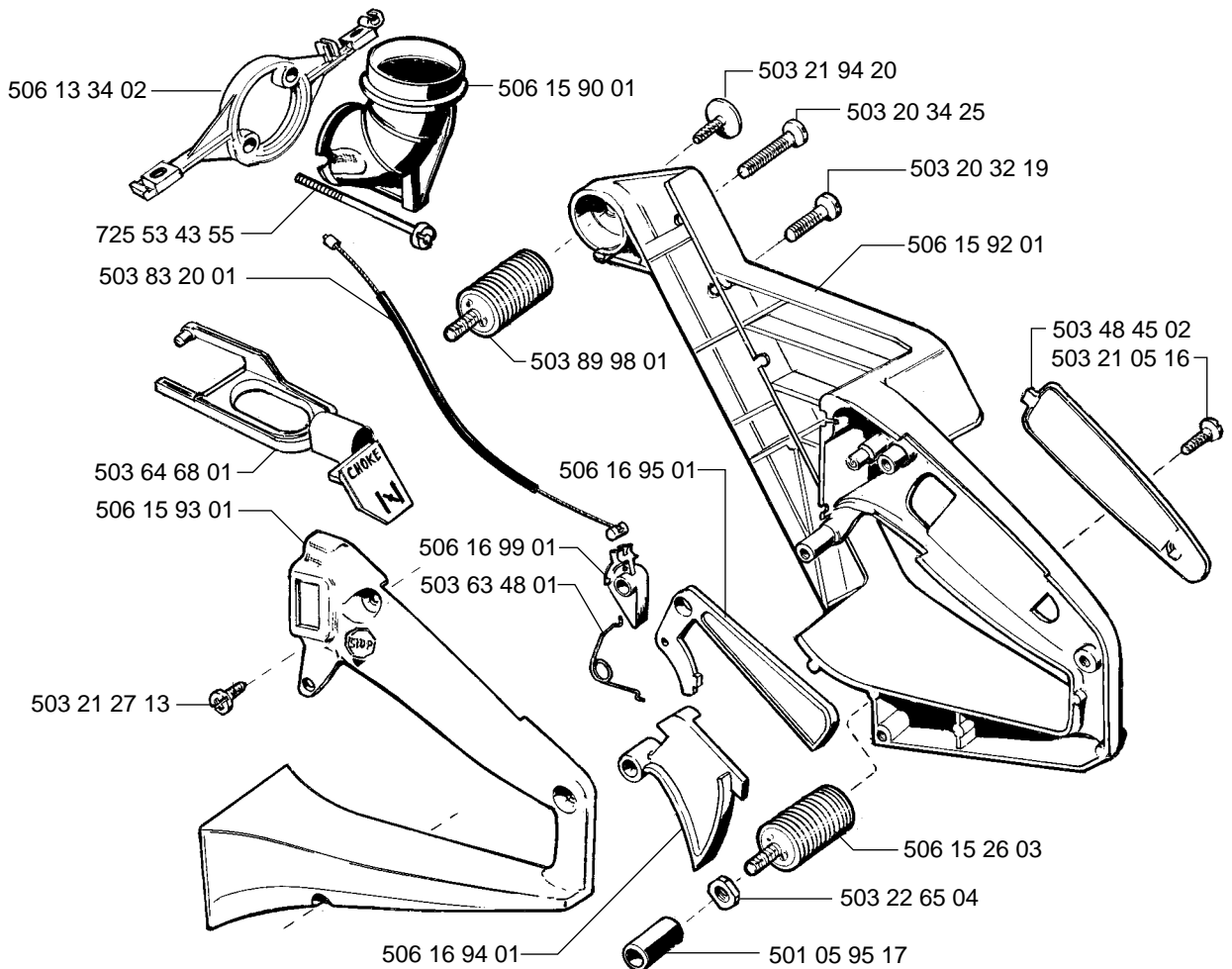
A***compl 506 16 39 01****D******compl 506 15 36 02*****compl 501 80 22 01**

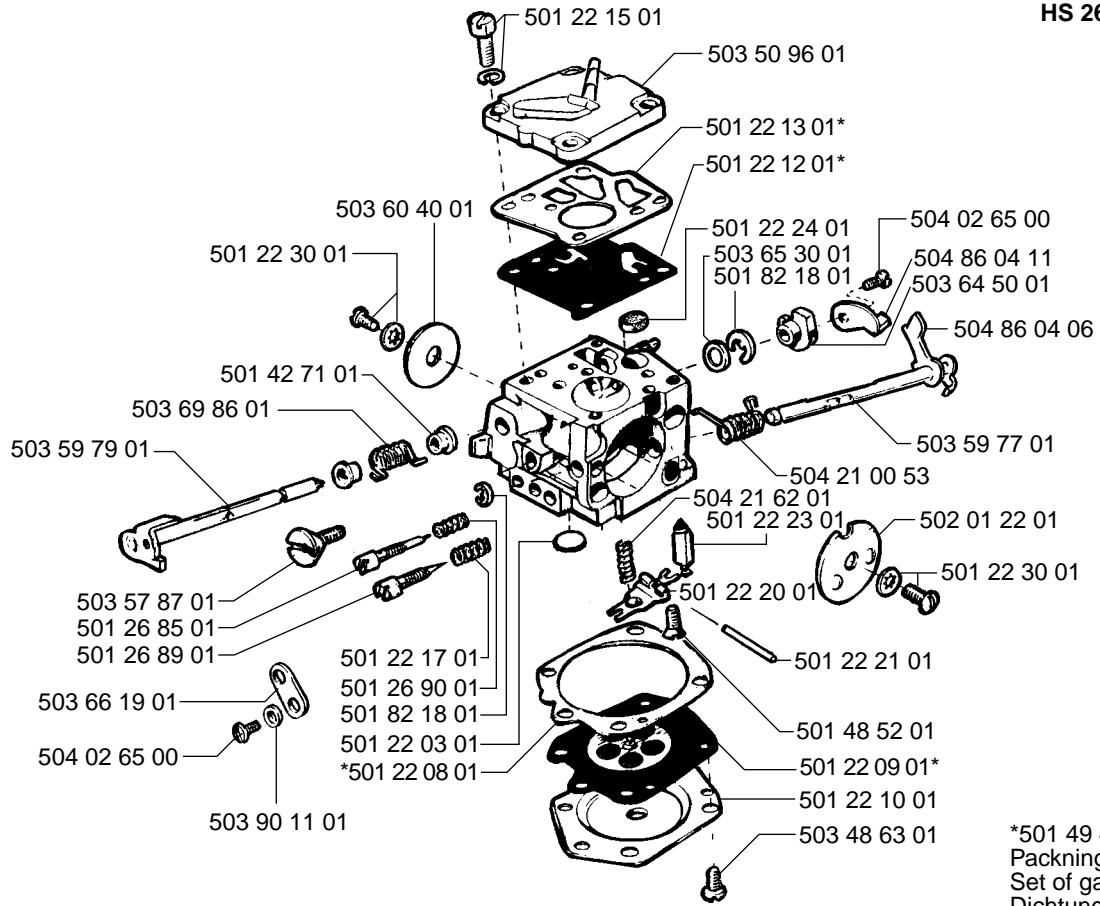
B**E**

C

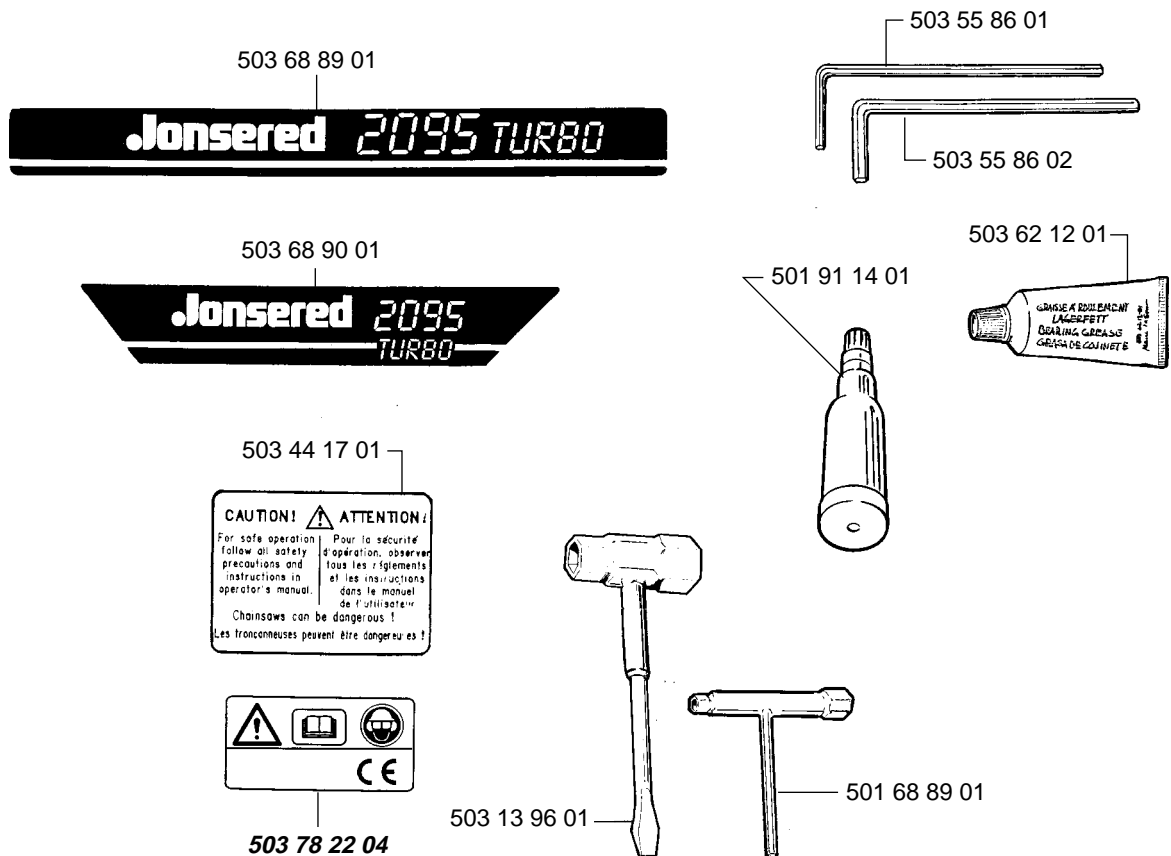


F

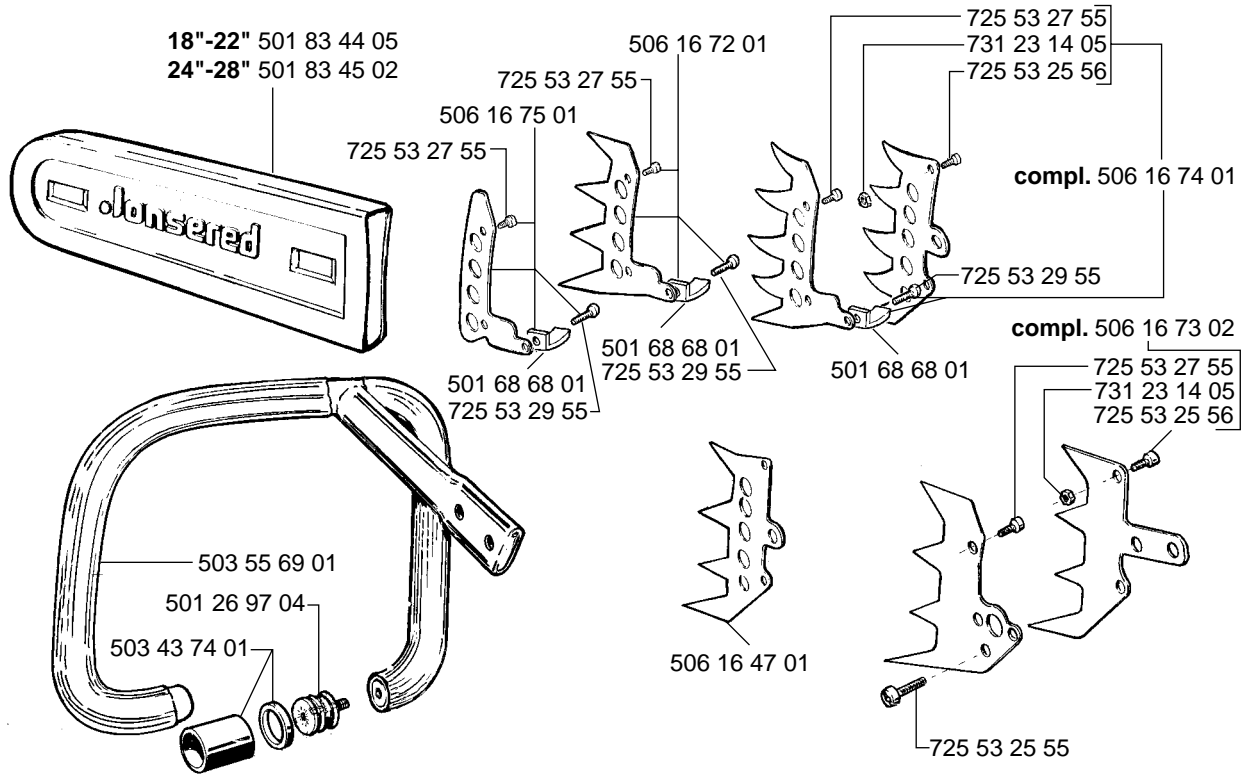


G**HS 265-A**

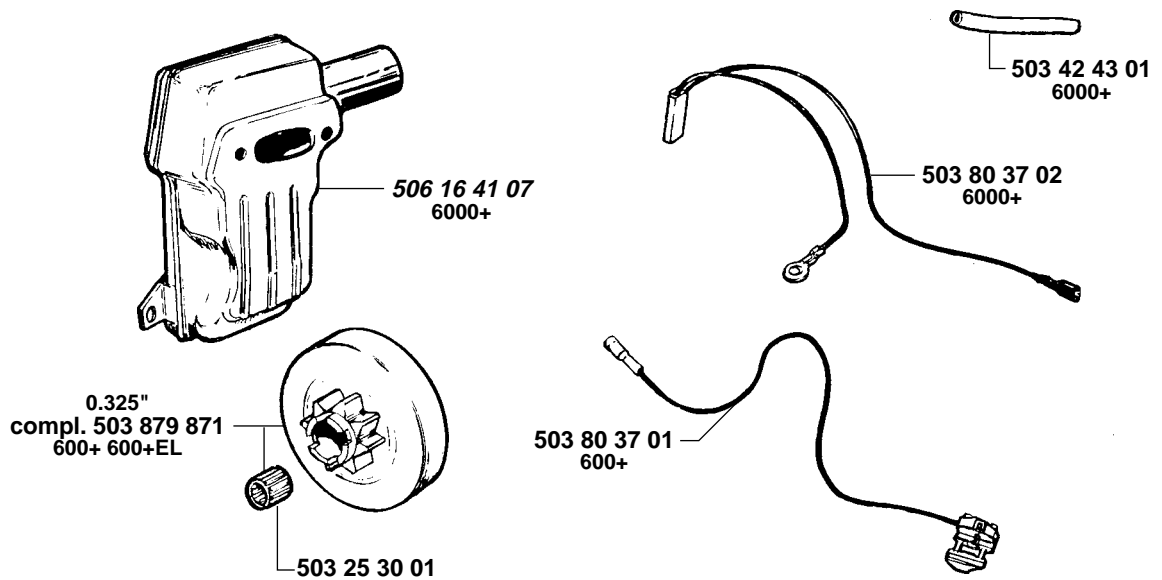
*501 49 48 02
Packningssats
Set of gaskets
Dichtungssatz
Jeu de joints
Juego de Juntas

H

I



J



MODEL NUMBER 2095

| PART NUMBER | SQUARE | NOTE | PART NUMBER | SQUARE | NOTE | PART NUMBER | SQUARE | NOTE | PART NUMBER | SQUARE | NOTE |
|--------------|--------|------|--------------|--------|------|--------------|--------|------|--------------|--------|------|
| 501 05 95-17 | F | | 503 21 28-10 | AD | | 503 80 37-01 | J | | 721 42 52-50 | A | |
| 501 22 03-01 | G | | 503 21 60-25 | B | | 503 80 37-02 | J | | 721 61 17-00 | E | |
| 501 22 08-01 | G | * | 503 21 94-20 | F | | 503 81 64-01 | B | | 724 12 87-55 | B | N |
| 501 22 09-01 | G | * | 503 22 00-01 | A | | 503 83 20-01 | F | | 725 23 39-55 | B | |
| 501 22 10-01 | G | | 503 22 10-02 | D | | 503 84 50-01 | D | | 725 52 87-55 | E | |
| 501 22 12-01 | G | * | 503 22 65-04 | F | | 503 87 51-01 | B | N | 725 53 25-55 | I | |
| 501 22 13-01 | G | * | 503 23 00-19 | C | | 503 87 98-71 | J | | 725 53 25-56 | I | |
| 501 22 15-01 | G | | 503 23 00-24 | D | | 503 89 98-01 | F | | 725 53 27-55 | I | |
| 501 22 17-01 | G | | 503 23 00-42 | D | | 503 90 11-01 | G | | 725 53 29-55 | EI | |
| 501 22 20-01 | G | | 503 23 00-58 | C | | 504 02 65-00 | G | | 725 53 43-55 | F | |
| 501 22 21-01 | G | | 503 23 10-02 | C | | 504 12 46-03 | A | | 725 53 85-55 | B | |
| 501 22 23-01 | G | | 503 23 51-09 | D | | 504 21 00-53 | G | | 728 74 45-05 | A | |
| 501 22 24-01 | G | | 503 23 72-02 | D | | 504 21 62-01 | G | | 731 23 14-05 | I | |
| 501 22 30-01 | G | | 503 25 30-01 | J | | 504 35 72-01 | E | | 734 11 46-01 | D | |
| 501 22 68-01 | A | | 503 26 02-05 | E | | 504 65 42-03 | D | | 735 11 73-50 | D | |
| 501 26 85-01 | G | | 503 28 03-18 | B | | 504 86 04-06 | G | | 735 31 08-20 | A | |
| 501 26 89-01 | G | | 503 28 90-24 | B | | 504 86 04-11 | G | | 735 88 06-00 | E | |
| 501 26 90-01 | G | | 503 40 06-02 | B | | 505 27 75-16 | D | | 737 44 13-00 | B | |
| 501 26 97-04 | I | | 503 42 14-01 | C | | 506 13 19-01 | A | | 738 22 03-25 | E | N |
| 501 27 08-01 | E | | 503 42 24-01 | C | | 506 13 23-01 | B | | 740 43 12-00 | E | |
| 501 28 85-01 | C | | 503 42 43-01 | J | | 506 13 32-02 | D | | 740 48 20-03 | E | |
| 501 42 71-01 | G | | 503 42 67-01 | C | | 506 13 34-02 | F | | | | |
| 501 48 52-01 | G | | 503 43 19-01 | D | | 506 13 35-01 | B | | | | |
| 501 48 54-02 | D | | 503 43 21-04 | D | | 506 13 37-03 | B | | | | |
| 501 49 48-02 | G | * | 503 43 29-01 | D | | 506 13 39-01 | B | | | | |
| 501 52 74-06 | D | | 503 43 49-01 | B | | 506 15 25-01 | D | | | | |
| 501 54 41-02 | C | | 503 43 74-01 | I | | 506 15 26-03 | F | | | | |
| 501 54 48-01 | C | | 503 44 17-01 | H | | 506 15 26-04 | A | | | | |
| 501 59 79-02 | C | | 503 44 32-01 | E | | 506 15 29-01 | E | | | | |
| 501 59 80-02 | C | | 503 45 46-01 | E | | 506 15 35-01 | B | | | | |
| 501 60 82-02 | A | | 503 46 02-02 | B | N | 506 15 36-02 | D | | | | |
| 501 63 06-01 | D | | 503 46 37-02 | C | | 506 15 55-06 | B | | | | |
| 501 67 32-01 | D | | 503 46 40-01 | C | | 506 15 64-01 | E | | | | |
| 501 67 35-01 | D | | 503 46 42-01 | C | | 506 15 69-02 | E | | | | |
| 501 68 68-01 | EI | | 503 46 43-01 | C | | 506 15 82-01 | B | | | | |
| 501 68 89-01 | H | | 503 46 60-02 | A | | 506 15 86-01 | A | | | | |
| 501 76 80-01 | A | | 503 48 45-02 | F | | 506 15 89-01 | E | | | | |
| 501 76 83-26 | E | | 503 48 63-01 | G | | 506 15 90-01 | F | | | | |
| 501 76 83-28 | E | | 503 50 96-01 | G | | 506 15 91-03 | E | | | | |
| 501 79 27-01 | A | | 503 52 08-01 | A | | 506 15 92-01 | F | | | | |
| 501 80 22-01 | D | | 503 53 72-01 | A | | 506 15 93-01 | F | | | | |
| 501 81 49-01 | E | | 503 55 68-01 | A | | 506 15 94-01 | B | | | | |
| 501 81 74-01 | BE | | 503 55 69-01 | I | | 506 15 94-02 | B | | | | |
| 501 81 99-01 | D | | 503 55 75-01 | C | | 506 16 37-01 | A | | | | |
| 501 82 18-01 | G | | 503 55 86-01 | H | | 506 16 38-01 | B | | | | |
| 501 83 44-05 | I | | 503 55 86-02 | H | | 506 16 39-01 | A | | | | |
| 501 83 45-02 | I | | 503 56 00-02 | B | | 506 16 41-07 | J | | | | |
| 501 87 47-01 | A | | 503 57 76-02 | E | | 506 16 41-08 | B | N | | | |
| 501 87 49-01 | A | | 503 57 87-01 | G | | 506 16 41-09 | B | N | | | |
| 501 87 53-03 | A | | 503 57 89-01 | E | | 506 16 41-10 | B | N | | | |
| 501 91 14-01 | H | | 503 59 77-01 | G | | 506 16 46-01 | A | | | | |
| 502 01 22-01 | G | | 503 59 79-01 | G | | 506 16 47-01 | I | | | | |
| 503 13 96-01 | H | | 503 60 40-01 | G | | 506 16 48-01 | A | | | | |
| 503 14 29-02 | D | | 503 62 12-01 | H | | 506 16 67-01 | E | | | | |
| 503 14 51-01 | C | | 503 62 44-01 | E | | 506 16 69-01 | A | | | | |
| 503 16 40-01 | E | | 503 62 59-01 | C | | 506 16 70-01 | A | | | | |
| 503 18 21-01 | E | | 503 62 59-02 | C | | 506 16 72-01 | I | | | | |
| 503 20 02-12 | B | | 503 63 48-01 | F | | 506 16 73-02 | I | | | | |
| 503 20 02-25 | E | | 503 63 51-01 | D | | 506 16 74-01 | I | | | | |
| 503 20 02-35 | E | | 503 64 49-01 | A | | 506 16 75-01 | I | | | | |
| 503 20 02-45 | E | | 503 64 50-01 | G | | 506 16 76-01 | A | | | | |
| 503 20 03-12 | B | | 503 64 68-01 | F | | 506 16 87-02 | B | | | | |
| 503 20 25-20 | CD | | 503 65 30-01 | G | | 506 16 88-01 | B | | | | |
| 503 20 26-16 | A | | 503 66 19-01 | G | | 506 16 90-02 | D | | | | |
| 503 20 32-19 | F | | 503 66 56-01 | B | | 506 16 91-01 | B | | | | |
| 503 20 32-28 | B | | 503 67 80-01 | B | | 506 16 94-01 | F | | | | |
| 503 20 34-19 | D | | 503 68 89-01 | H | | 506 16 95-01 | F | | | | |
| 503 20 34-25 | F | | 503 68 90-01 | H | | 506 16 96-01 | B | | | | |
| 503 21 05-16 | DF | | 503 69 86-01 | G | | 506 16 99-01 | F | | | | |
| 503 21 27-13 | F | | 503 70 15-01 | C | | 720 12 33-00 | A | | | | |
| 503 21 28-06 | D | | 503 78 22-04 | H | N | 721 42 03-25 | C | | | | |

* 501 48 49-02 Packningssats
Set of gaskets
Dichtungssatz
Jeu de joints
Juego de Juntas

N=Ny detalj
New part
Neues teil
Nouvelle piece
Nueva pieza