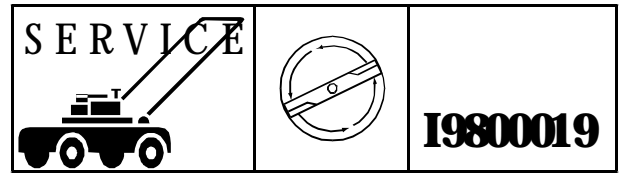


Jonsered



IPL, RT5, FT5, 1998-04, 106 24 92-61

RT5, FT5

Spare parts

Ersatzteile

Pièces détachées

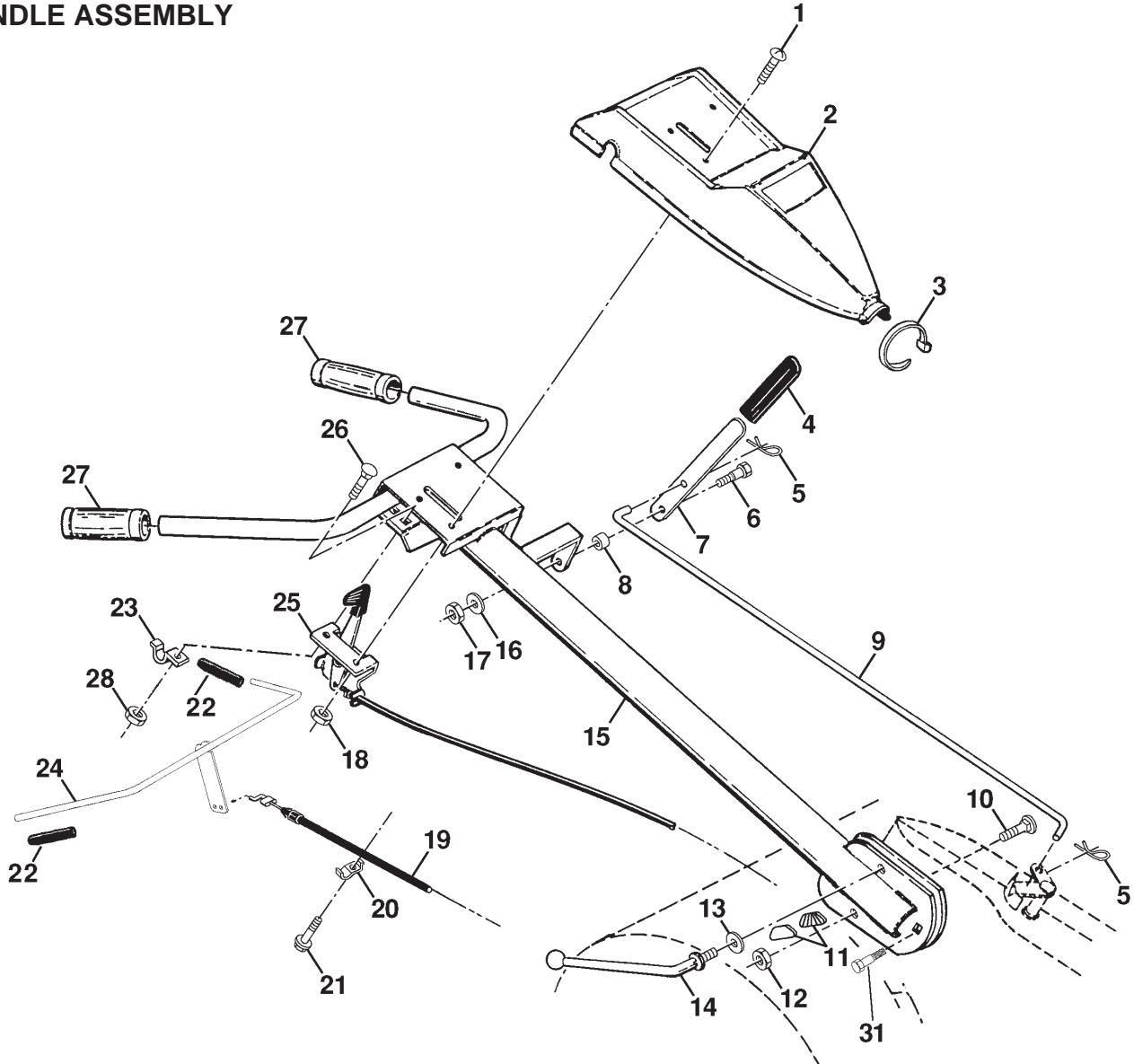
Reserve onderdelen

Repuestos

Reservdelar

RT5

HANDLE ASSEMBLY

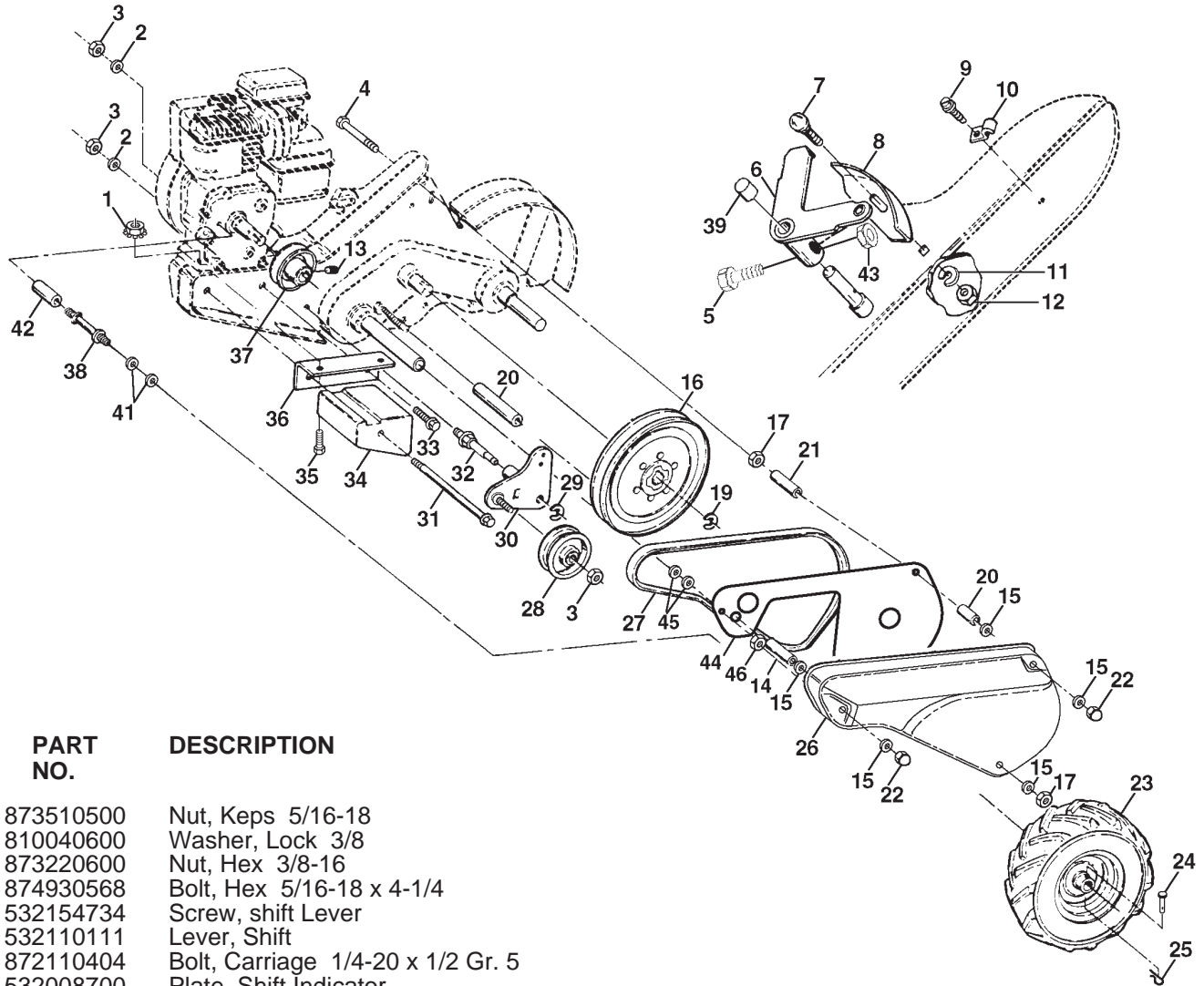


KEY NO.	PART NO.	DESCRIPTION	KEY NO.	PART NO.	DESCRIPTION
1	871191008	Screw, Pan Hd. #10-24	17	873220400	Nut, Hex 1/4-20
2	532126951	Panel, Control	18	873731000	Nut, Keps #10-24 UNC
3	532104164	Tie, Cable	19	532159231	Cable, Clutch
4	532124797	Grip, Handle	20	532009484	Clip
5	532124788	Clip, Hairpin	21	532086777	Screw, Hex Washer Hd. Slotted #10-24 x 1/2
6	532081328	Bolt, Shoulder	22	532102604	Grip, Bar, Control
7	532109335	Handle, Shift	23	532102744	Clamp, Bar, Control
8	532109313	Grommet, Rubber	24	532159228	Bar Assembly, Control
9	532109337	Rod, Shift	25	532127012	Control, Throttle
10	872110608	Bolt, Carriage 3/8-16 x 1 Gr. 5	26	872140404	Bolt, Carriage 1/4-20 UNC x 1/2
11	532109229	Lock, Handle	27	532009266	Grip, Handle
12	873930600	Nut, Centerlock 3/8-16	28	873510400	Nut, Keps Hex 1/4-20
13	819131611	Washer 13/32 x 1 x 11 Ga.	31	532150696	Bolt, Pivot
14	532109228	Lever, Lock, Handle			
15	532154106	Handle Asm			
16	810040400	Washer, Lock 1/4			

NOTE: All component dimensions given in U.S. inches.
1 inch = 25.4 mm

RT5

MAINFRAME, LEFT SIDE



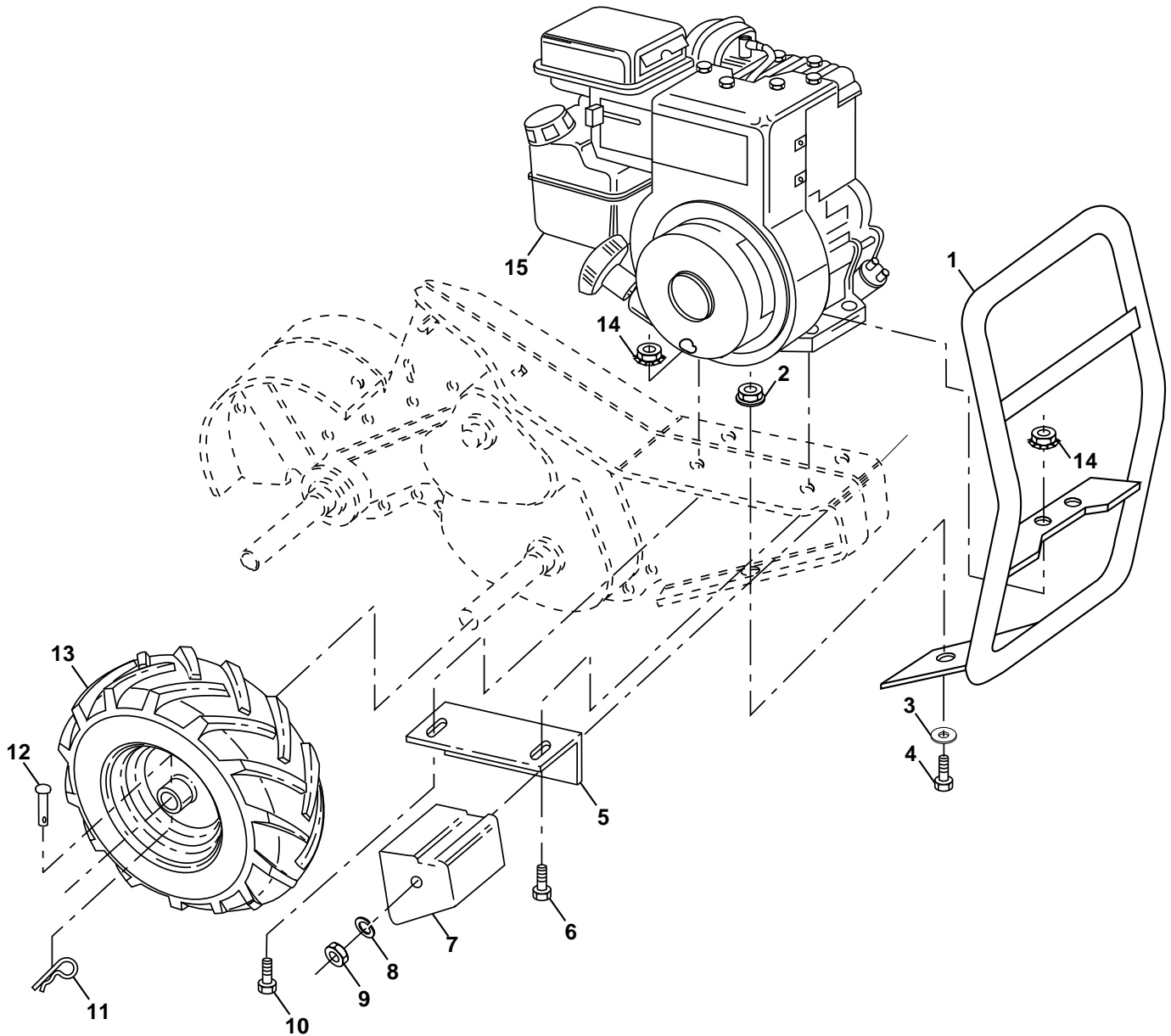
KEY NO.	PART NO.	DESCRIPTION
1	873510500	Nut, Keps 5/16-18
2	810040600	Washer, Lock 3/8
3	873220600	Nut, Hex 3/8-16
4	874930568	Bolt, Hex 5/16-18 x 4-1/4
5	532154734	Screw, shift Lever
6	532110111	Lever, Shift
7	872110404	Bolt, Carriage 1/4-20 x 1/2 Gr. 5
8	532008700	Plate, Shift Indicator
9	532086777	Screw, Hex, Washer Head, Slotted #10-24 x 1/2
10	532009484	Clip
11	810040400	Washer, Lock 1/4
12	873220400	Nut, Hex 1/4-20
13	823230506	Screw, Set, Hex 5/16-18 x 3/8
14	532156116	Spacer, Split 0.327 x 0.42 x 1.875
15	819111116	Washer 11/32 x 11/16 x 16 Ga.
16	532145102	Sheave, Transmission
17	873220500	Nut, Hex 5/16-18
19	812000028	Ring, Retainer
20	532156115	Spacer, Split 0.327 x 0.42 x 1.440
21	532156117	Spacer, Split 0.327 x 0.42 x 1.220
22	532104214	Nut, Cap 5/16-18
23	532005015	Tire
	532124366	Rim
	532124718	Tire Valve
24	532126875	Rivet, Drilled
25	532124788	Clip, Hairpin
26	532164060	Guard, Belt
27	531013148	Belt, V
28	532104679	Pulley, Idler
29	812000032	Ring, Klip
30	532159229	Bracket, Idler

KEY NO.	PART NO.	DESCRIPTION
31	532102384	Bolt, Hex 5/16-16 x 12
32	532102141	Shaft, Idler Arm
33	874760616	Bolt, Hex 3/8-16 x 1
34	532102383	Counterweight, L. H.
35	874760532	Bolt, Hex 5/16-18 x 2
36	532102331	Bracket, Reinforcement, L. H.
37	532130812	Sheave, Engine
38	532145822	Stud, Guard Belt
39	532140062	Cap, Plunger Blk
41	819111610	Washer, 11/32 x 1.00 x 10 Ga.
42	532151004	Spacer
43	532069180	Nut, Lock #10-24
44	532156068	Shield, Belt Guard
45	819091210	Washer 9/32 x 3/4 x 10 Ga.
46	873800400	Nut, Lock w/Insert 1/4-20

NOTE: All component dimensions given in U.S. inches.
1 inch = 25.4 mm

RT5

MAINFRAME, RIGHT SIDE



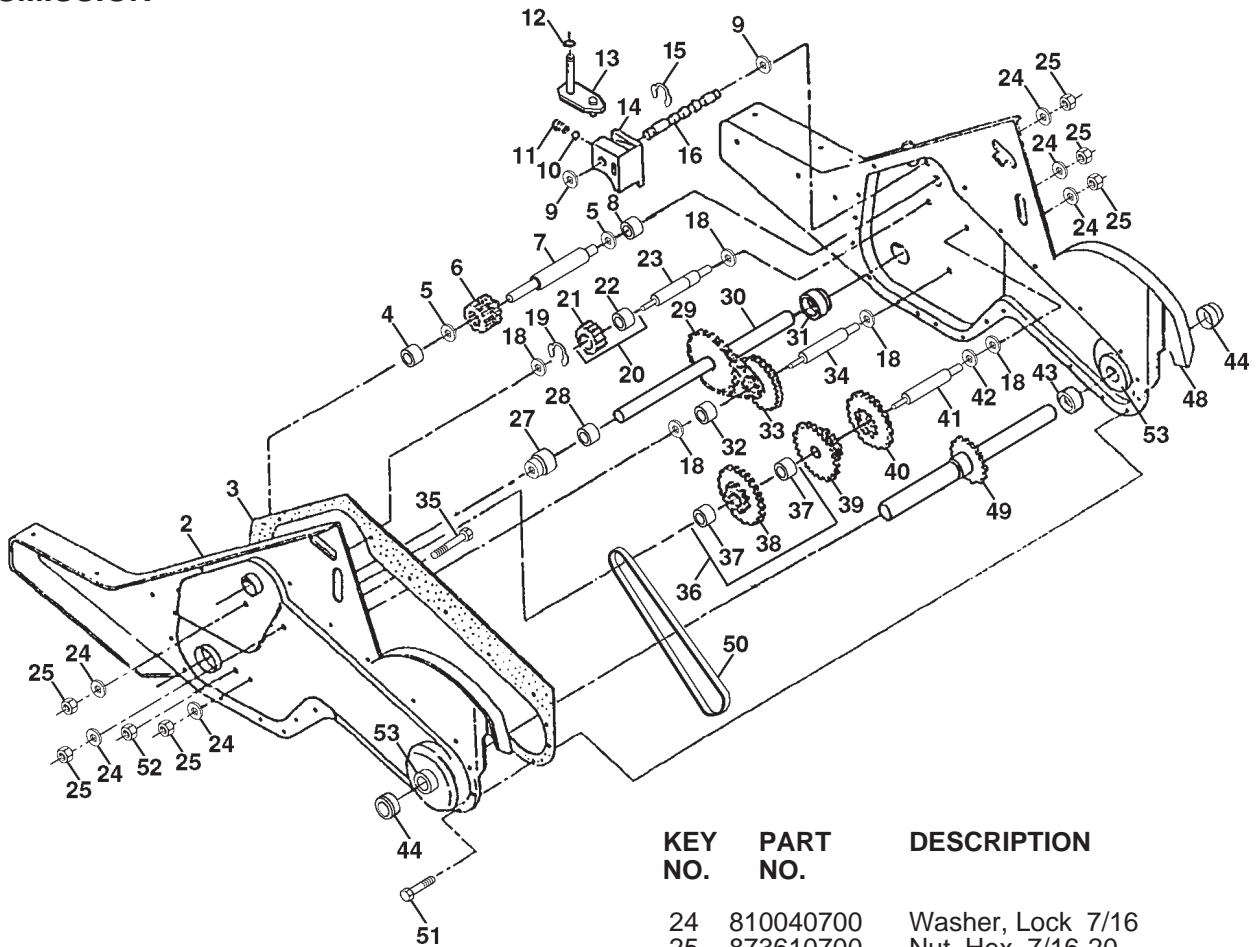
KEY NO.	PART NO.	DESCRIPTION
1	532162385	Bumper
2	873970500	Locknut, Hex, Flange 5/16-18
3	819111116	Washer 11/32 x 11/16 x 16 Ga.
4	874760512	Bolt, Hex 5/16-18 x 3/4
5	532102332	Bracket, Reinforcement
6	874760532	Bolt, Hex 5/16-18 x 2
7	532102173	Counter Weight, R.H.
8	810040600	Washer, Lock 3/8
9	873220600	Nut, Hex 3/8-16
10	874760524	Bolt, Hex 5/16-18 x 1-1/2

KEY NO.	PART NO.	DESCRIPTION
11	532124788	Clip, Hairpin
12	532126875	Rivet, Drilled
13	532005015	Tire
	532124366	Rim
	532124718	Tire Valve
14	873510500	* Nut, Keps 5/16-18
15	-----	Engine, Briggs & Stratton Model No. 137202

NOTE: All component dimensions given in U.S.inches.
1 inch = 25.4 mm

RT5

TRANSMISSION



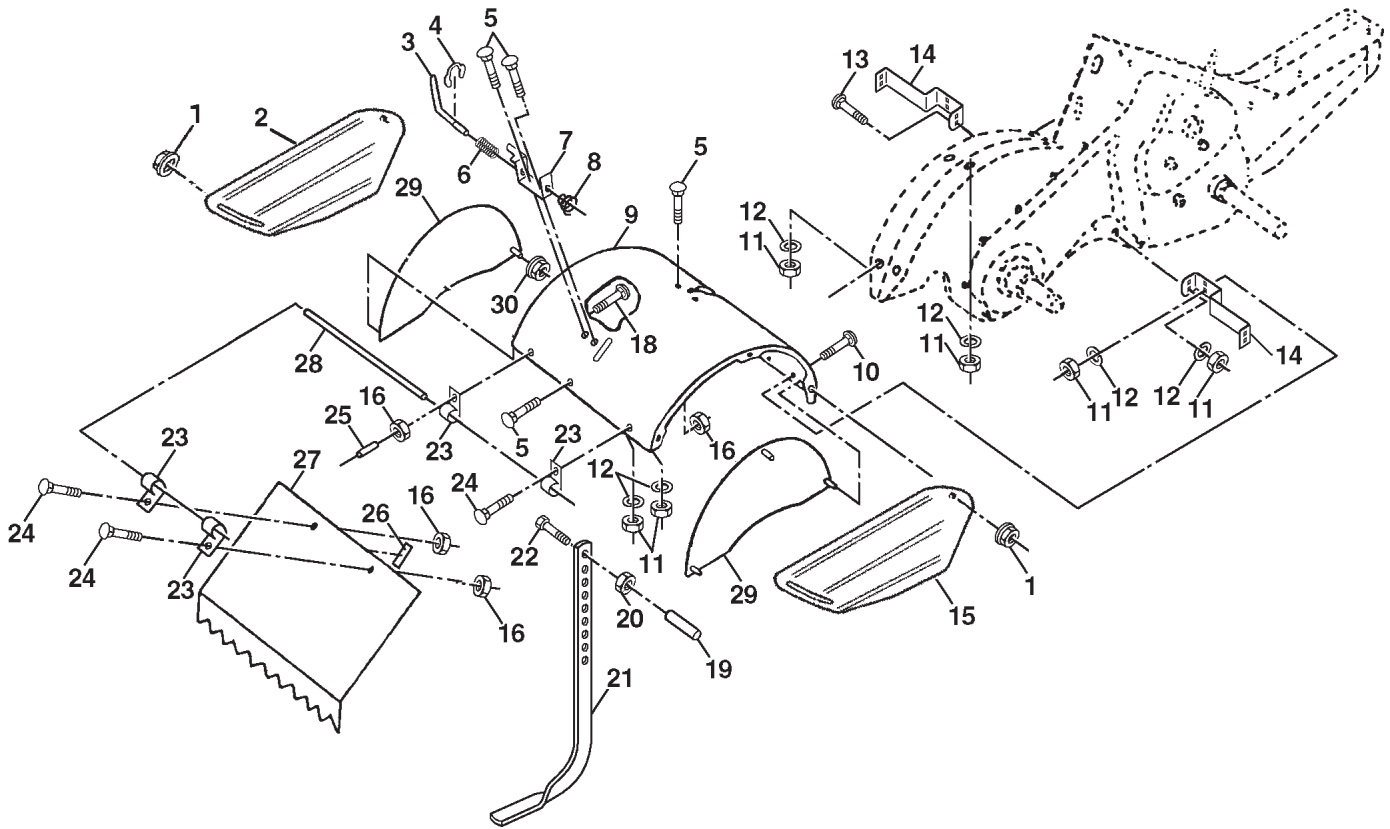
KEY NO.	PART NO.	DESCRIPTION
1	532154354	Transmission Assembly (Includes Key Nos. 2-53)
2	532150698	Gearcase, L.H. w/Bearing (Includes Key No. 4)
3	532106211	Gasket, Gearcase
4	532005020	Bearing, Needle
5	532001370	Washer, Thrust 5/8 x 1.10 x 1/32
6	532137335	Pinion, Input
7	532145101	Shaft, Input
8	532124792	Bearing, Needle
9	532154467	Washer, Seal
10	532124697	Ball, Steel
11	532100371	Spring, Shift, Fork
12	532106160	O-Ring
13	532142145	Arm., Shift
14	532008353	Fork, Shift
15	812000039	Ring, Klip
16	532154466	Shaft, Shift
18	532004358	Washer
19	812000040	Ring, Klip
20	532102114	Gear, Assembly, Reverse Idler (Includes Key Nos. 21 and 22)
21	532102115	Gear, Reverse Idler
22	532006803	Bearing, Needle
23	532102111	Shaft, Reverse Idler

KEY NO.	PART NO.	DESCRIPTION
24	810040700	Washer, Lock 7/16
25	873610700	Nut, Hex 7/16-20
27	532143009	Bearing, Shaft, Ground Drive L.H.
28	532106390	Spacer 0.765 x 1.125 x 1.23
29	532102134	Chain #35-50 Pitch
30	532150737	Ground Shaft Assembly
31	532143008	Bearing, Shaft, Ground Drive R.H.
32	532106388	Spacer 0.70 x 1.00 x 1.150
33	532102121	Sprocket and Gear Assembly
34	532102112	Shaft, Reduction (2nd)
35	532102101	Screw, Whiz, Lock 5/16-18 x 3-1/2
36	532154355	Sprocket Assembly w/Bearing (Includes Key Nos. 37 and 38)
37	532124791	Bearing, Needle
38	532154356	Sprocket, Tine
39	532105345	Gear, Cluster, Red 1st & 2nd
40	532105346	Gear, Reverse
41	532008358	Shaft, Reduction (1st)
42	532004220	Washer, Thrust
43	532106146	Spacer 1.01 x 1.75 x 0.760
44	532155236	Seal, Asm Oil
48	532150700	Gearcase, R.H. w/Bearing (Includes Key No. 8)
49	532132688	Shaft, Tine
50	532106147	Chain, Roller #50-50 Pitch
51	817720408	Screw 1/4-20 x 1/2
52	873220500	Nut, Hex 5/16-18
53	532122204	Kit, Bearing
--	532006066	Grease, Plastilube #1

NOTE: All component dimensions given in U.S. inches.
1 inch = 25.4 mm

RT5

TINE SHIELD

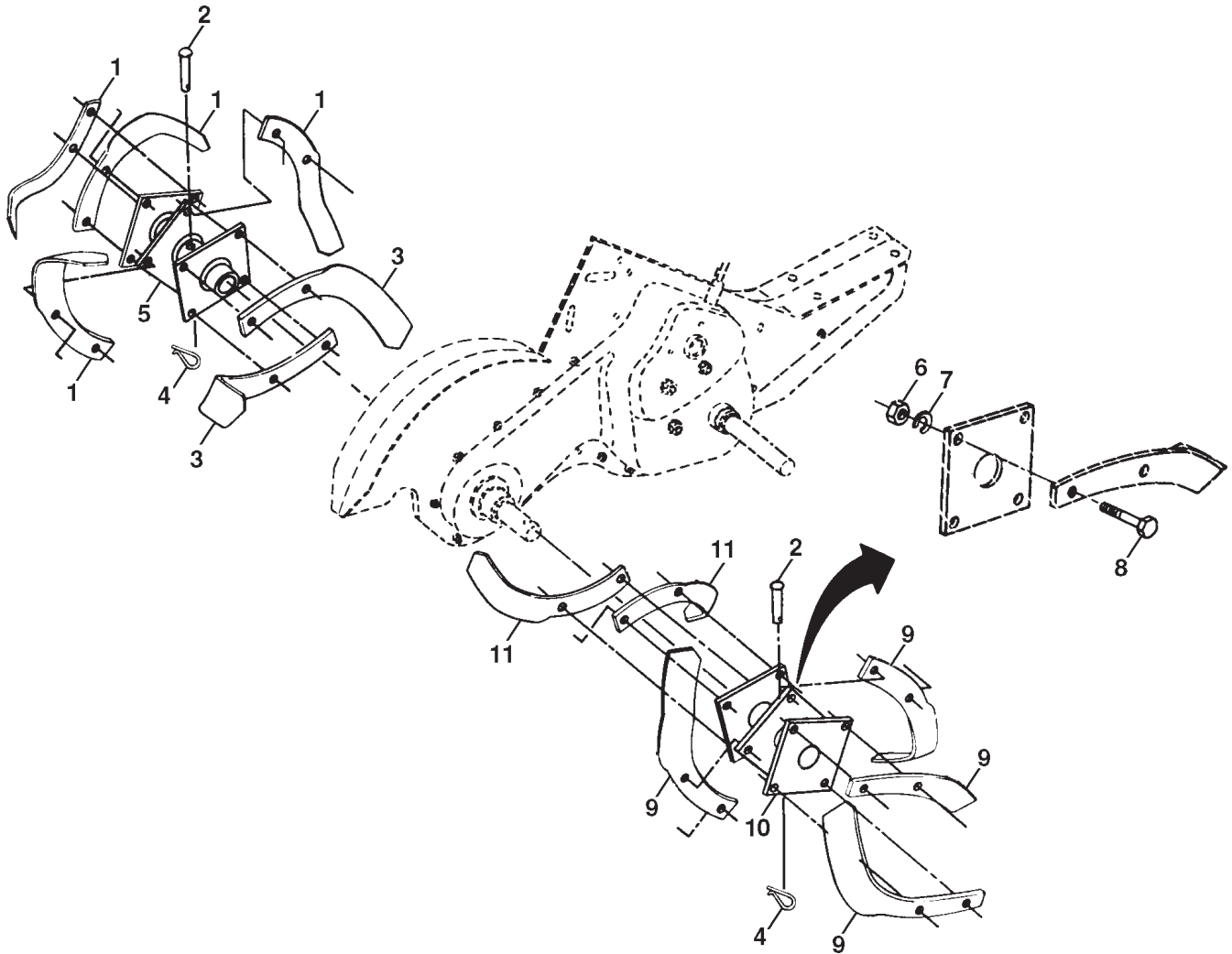


KEY NO.	PART NO.	DESCRIPTION	KEY NO.	PART NO.	DESCRIPTION
1	898000129	Nut, Flange 5/16-18	18	872040410	Bolt, Carriage 1/4-20 x 1-1/4 Gr. 5
2	532164061	Shield, Side, Outer L. H.	19	532102701	Grip
3	532008393	Pin, Stake, Depth	20	873220600	Nut, Hex 3/8-16
4	812000036	Ring, Klip	21	532102156	Stake, Depth
5	872140506	Bolt, Carriage 5/16-18 x 3/4 Gr. 5	22	874930632	Bolt, Hex 3/8-16 x 2
6	532008394	Spring	23	532004440	Hinge
7	532008392	Bracket, Latch	24	872140404	Bolt, Carriage 1/4-20 x 1/2 Gr. 5
8	532109230	Spring, Depth Stake	25	532124717	Cap, Vinyl
9	532142036	Shield, Tine	26	532109227	Pad, Idler
10	872140508	Bolt, Carriage 5/16-18 UNC x 1	27	532125410	Shield, Leveling
11	873220500	Nut, Hex 5/16-18	28	532120588	Pin, Hinge
12	810040500	Washer, Lock 5/16	29	532142037	Shield, Side
13	872110510	Bolt, Carriage 5/16-18 x 1-1/4	30	873970500	Locknut, Flange 5/16-18
14	532124311	Bracket, Shield Tine			
15	532164062	Shield, Side, Outer R.H.			
16	873510400	Nut, Keps Hex 1/4-20			

NOTE: All component dimensions given in U.S. inches.
1 inch = 25.4 mm

RT5

TINE ASSEMBLY



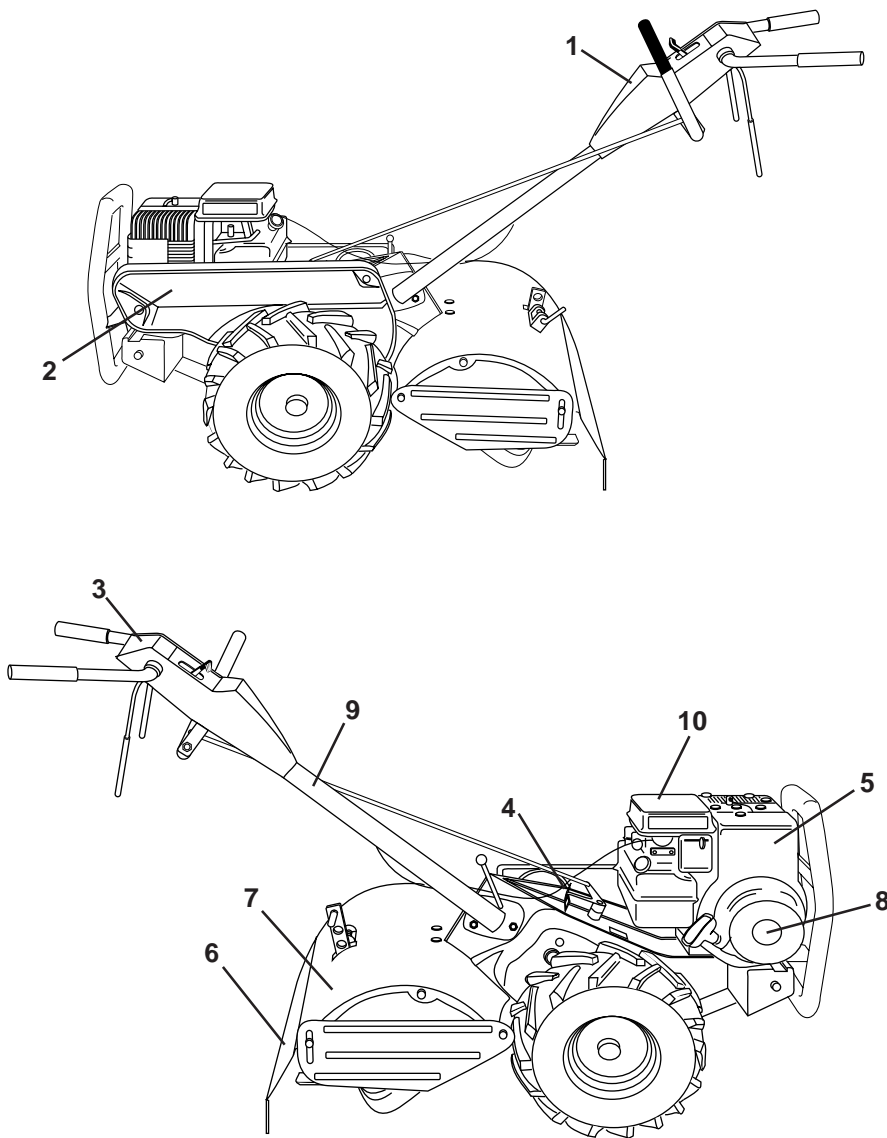
KEY NO.	PART NO.	DESCRIPTION
1	532004459	Tine, Outer, L.H.
2	532132673	Clevis Pin
3	532006554	Tine, Inner, L.H.
4	532124660	Clip, Hairpin
5	532132727	Assembly, Hub and Plate, L.H.
6	873610600	Nut, Hex 3/8-24
7	810040600	Washer, Lock 3/8

KEY NO.	PART NO.	DESCRIPTION
8	874610616	Bolt, Hex 3/8-24 x 1
9	532004460	Tine, Outer, R.H.
10	532132728	Assembly, Hub and Plate, R.H.
11	532006555	Tine, Inner, R.H.

NOTE: All component dimensions given in U.S. inches.
1 inch = 25.4 mm

RT5

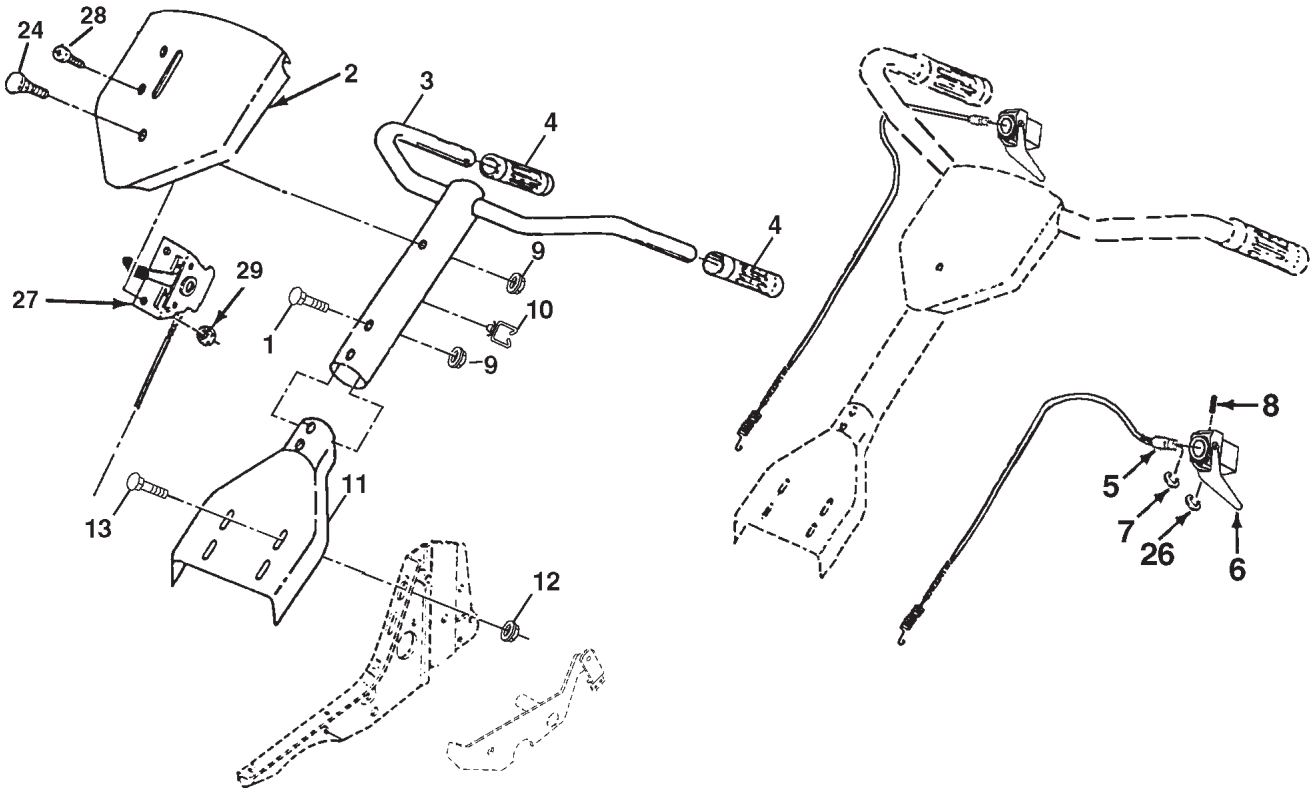
DECALS



KEY NO.	PART NO.	DESCRIPTION
1	532141946	Decal, Logo
2	532151111	Decal, Logo
3	532136945	Decal, Instruction, Tilling
4	532102180	Decal, Shift Indicator
5	532271948	Decal, Briggs & Stratton
6	532156129	Decal, Warning, Rotating Tines
7	532145437	Decal, Europe Stand CE
8	532273721	Decal, 5HP
9	532159877	Decal, Hand Placement
10	532110612	Decal, Caution
--	532163377	Manual, Operator's (Euro)
--	532163378	Manual, Operator's (Scandinavian)

FT5

HANDLE ASSEMBLY



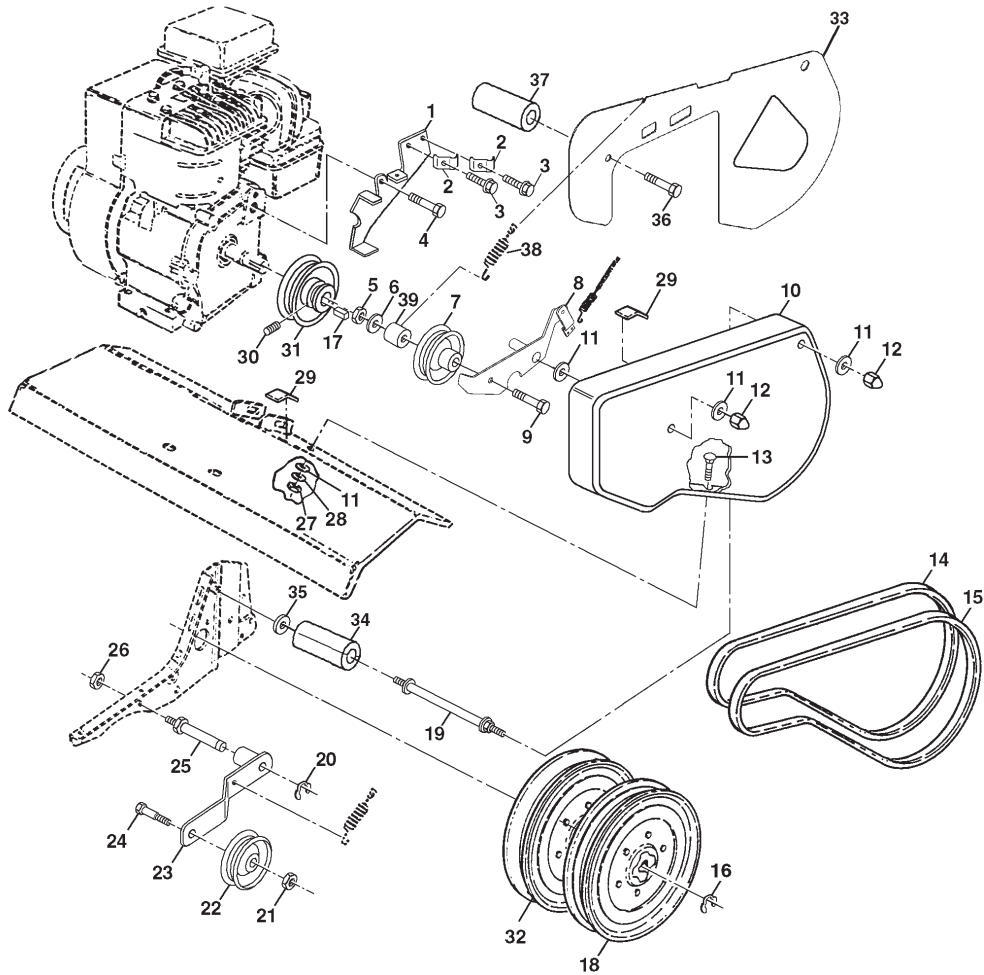
KEY NO.	PART NO.	DESCRIPTION
1	872010520	Bolt, 5/16-18 x 2.50
2	532161819	Panel Control
3	532159236	Assembly, Handle Column
4	532110632	Grip Handle
5	532155199	Cable, Tine Control
6	532151229	Lever, tine Control
7	812000027	Ring, Clip
8	532154805	Pin, Pivot
9	873970500	Locknut, Flange 5/16-18 UNC
10	532121145	Clip, Cable

KEY NO.	PART NO.	DESCRIPTION
11	532110514	Assembly, Panel and Tube
12	898000129	Nut, Flange
13	872010506	Bolt, Carriage 5/16-18 x 3/4
24	872010520	Bolt, 5/16-18 x 2 1/2
26	812000059	Ring, Retaining
27	532157346	Throttle, Control 31.00
28	871191008	Screw, 10-24
29	873731000	Nut, Keps #10-24 UNC

NOTE: All component dimensions are given in U.S. inches.
1 inch = 25.4 mm

FT5

BELT GUARD AND PULLEY ASSEMBLY



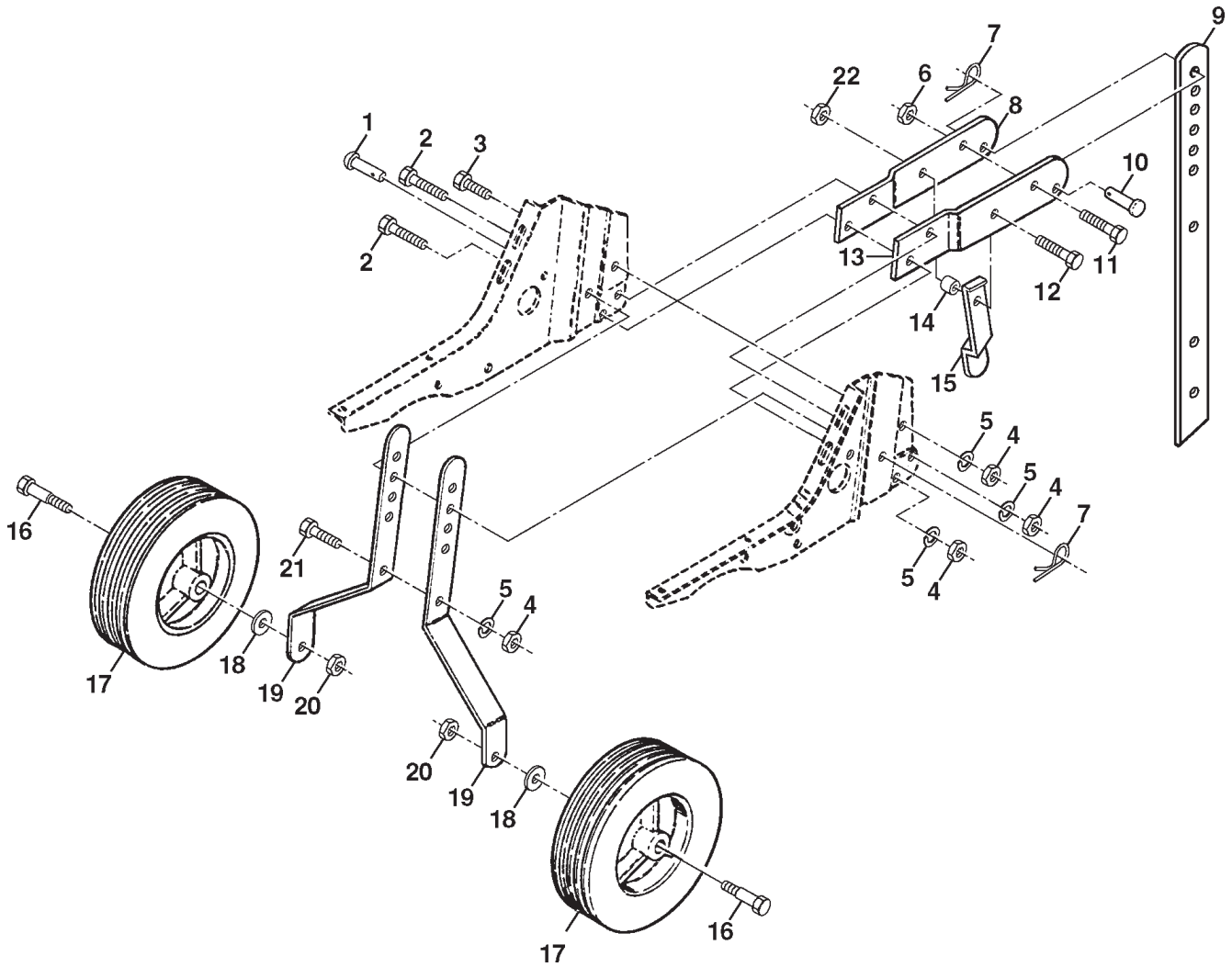
KEY NO.	PART NO.	DESCRIPTION
1	532159268	Assembly, Bracket, Belt Guard
2	532009484	Clip, Cable
3	532086777	Screw, Hex, Washer Hd., Slotted, Thd. Cutting #10-24 x 1/2 Type D
4	874610812	Bolt, Hex 1/2-20 x 3/4
5	873660600	Nut, Lock 3/8-16
6	819131316	Washer 13/32 x 13/16 x 16 Ga.
7	532002009	Pulley, Idler, Reverse
8	532159238	Assembly, Arm, Reverse Idler
9	874760628	Bolt, Hex 3/8-16 x 1-3/4
10	532161828	Guard, Belt
11	819091016	Washer 9/32 x 5/8 x 16 Ga.
12	532104213	Nut, Cap 1/4- 20
13	872140405	Bolt, Carriage 1/4-20 x 5/8
14	531013151	V-Belt (Forward Motion)
15	531013152	V-Belt (Reverse)
16	812000028	Ring, Retainer
17	532002649	Key, Square
18	532151236	Sheave, Transmission, Flat
19	532110550	Bolt, Belt Guard
20	812000036	Ring, Klip
21	873350600	Nut, Hex, Jam 3/8-16

KEY NO.	PART NO.	DESCRIPTION
22	532009178	Pulley, Idler
23	532124688	Arm, Idler
24	874760620	Bolt, Hex 3/8-16 x 1-1/4
25	532106968	Shaft, Idler Arm
26	873350500	Nut, Hex Jam 5/16-18
27	873220400	Nut, Fin Hex 1/4-20
28	810040400	Washer Lock Hvy, Helical 1/4
29	532109227	Pad, Idler
30	823200404	Screw, Set , Socket, Headless C.P. 1/4-20 x 1 1/4
31	532101189	Sheave, Engine
32	532151223	Sheave, Transmission "V"
33	532159234	Shield, Belt guard w/Rev.
34	532156141	Spacer, Split .635 x .823 x 2.2
35	819091416	Washer 9/32 x 7/8 x 16 Ga.
36	874330516	Bolt 5/16 x 24 x 1
37	532156118	Spacer Split .327 x .42 x .500
38	532128085	Spring
39	532138909	Spacer

NOTE: All component dimensions given in U.S. inches.
1 inch = 25.4 mm

FT5

WHEEL AND DEPTH STAKE ASSEMBLY



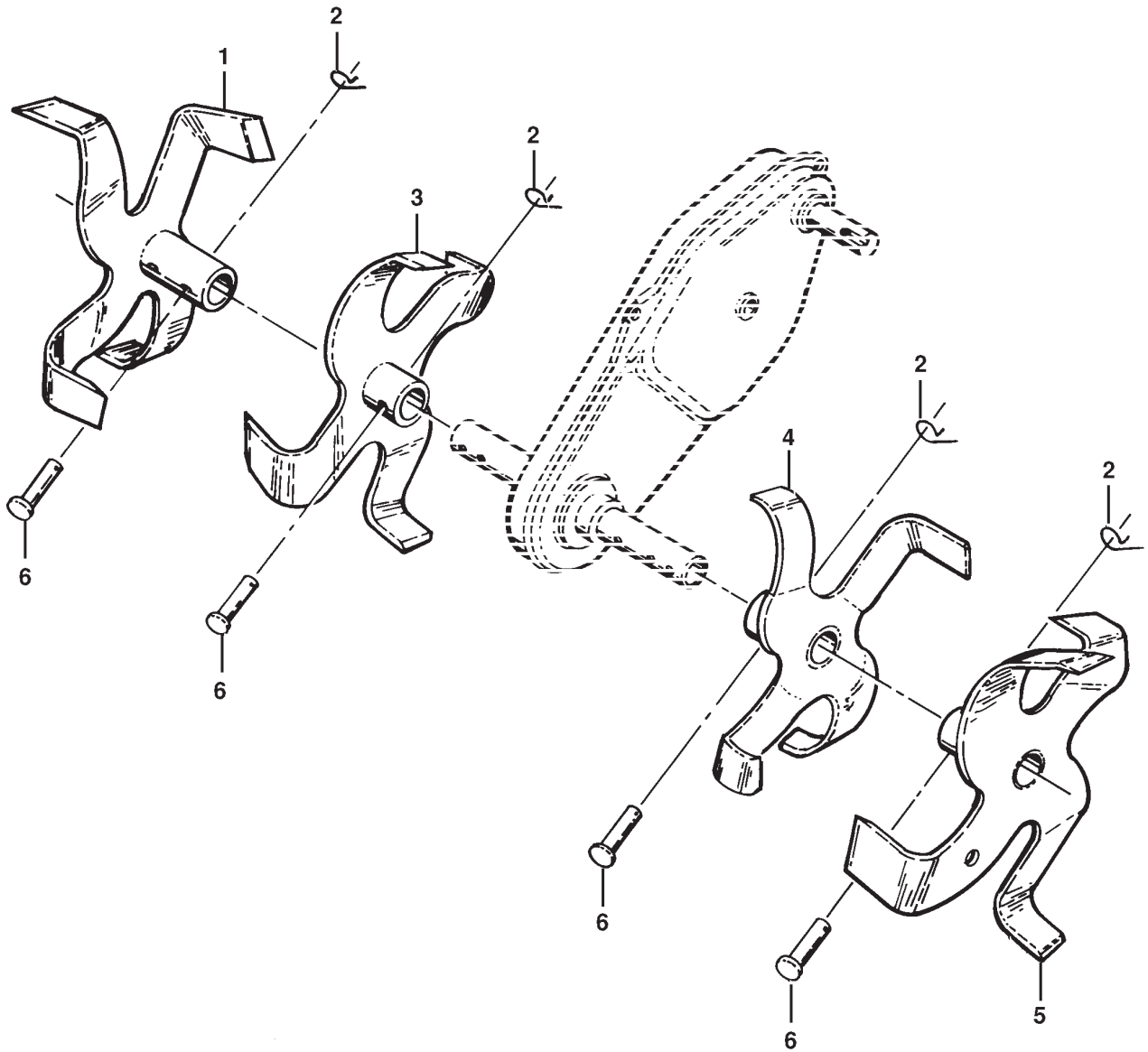
KEY NO.	PART NO.	DESCRIPTION
1	532009194	Pin, Clevis
2	874760520	Bolt, Hex 5/16-18 x 1-1/4
3	874760512	Bolt, Hex 5/16-18 x 3/4
4	873220500	Nut, Hex 5/16-18
5	810040500	Washer, Lock 5/16
6	873800600	Locknut, w/washer 3/8-16
7	532004921	Clip, Hairpin
8	532001952	Support, Depth Stake, R.H.
9	532122233	Stake, Depth
10	532000326	Pin, Clevis
11	874780628	Bolt, Hex, Fin 3/8-16 x 1-3/4
12	874760524	Bolt, Hex 5/16-18 x 1-1/2 Gr. 2
13	532001951	Support, Depth Stake, L.H.

KEY NO.	PART NO.	DESCRIPTION
14	532120958	Washer
15	532005388	Spring, Stake
16	532121117	Bolt, Shoulder
17	532127832	Wheel
18	819131311	Washer 13/32 x 13/16 x 11 Ga.
19	532124707	Bracket, Wheel
20	873680600	Locknut, Crown 3/8-16
21	874760516	Bolt, Hex 5/16-18 x 1
22	873800500	Locknut, w/insert 5/16-18

NOTE: All component dimensions given in U.S. inches.
1 inch = 25.4 mm

FT5

TINE ASSEMBLY

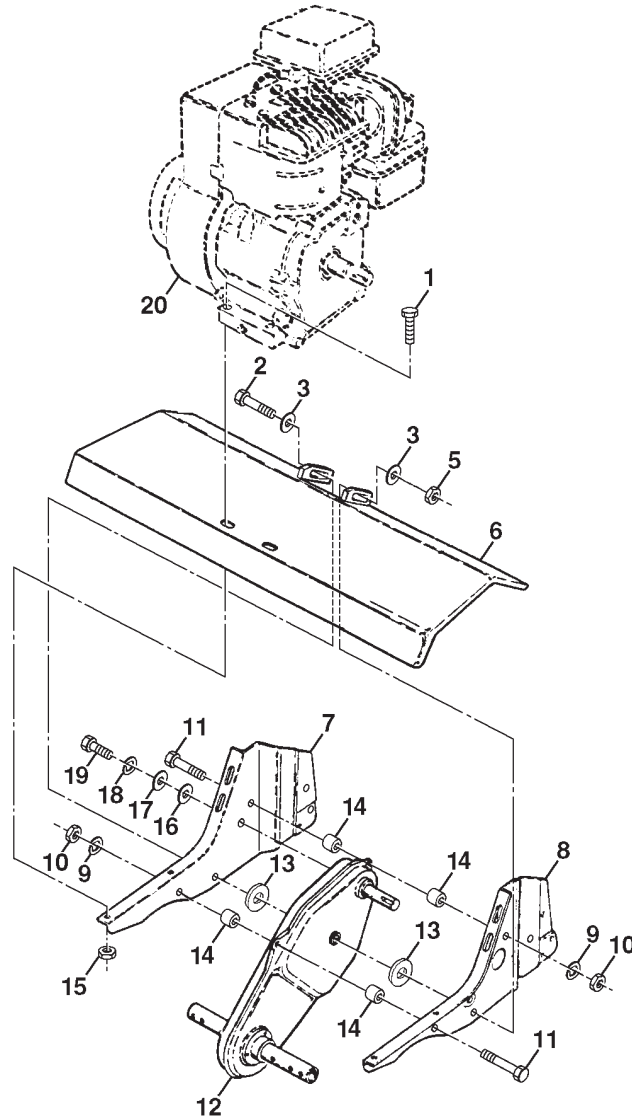


KEY NO.	PART NO.	DESCRIPTION
1	532156934	Tine, Outer, R.H.
2	532003146	Clip, Hairpin
3	532156932	Tine, Inner, R.H.

KEY NO.	PART NO.	DESCRIPTION
4	532156931	Tine, Inner, L.H.
5	532156933	Tine, Outer, L.H.
6	532004929	Pin, Clevis

FT5

TRANSMISSION



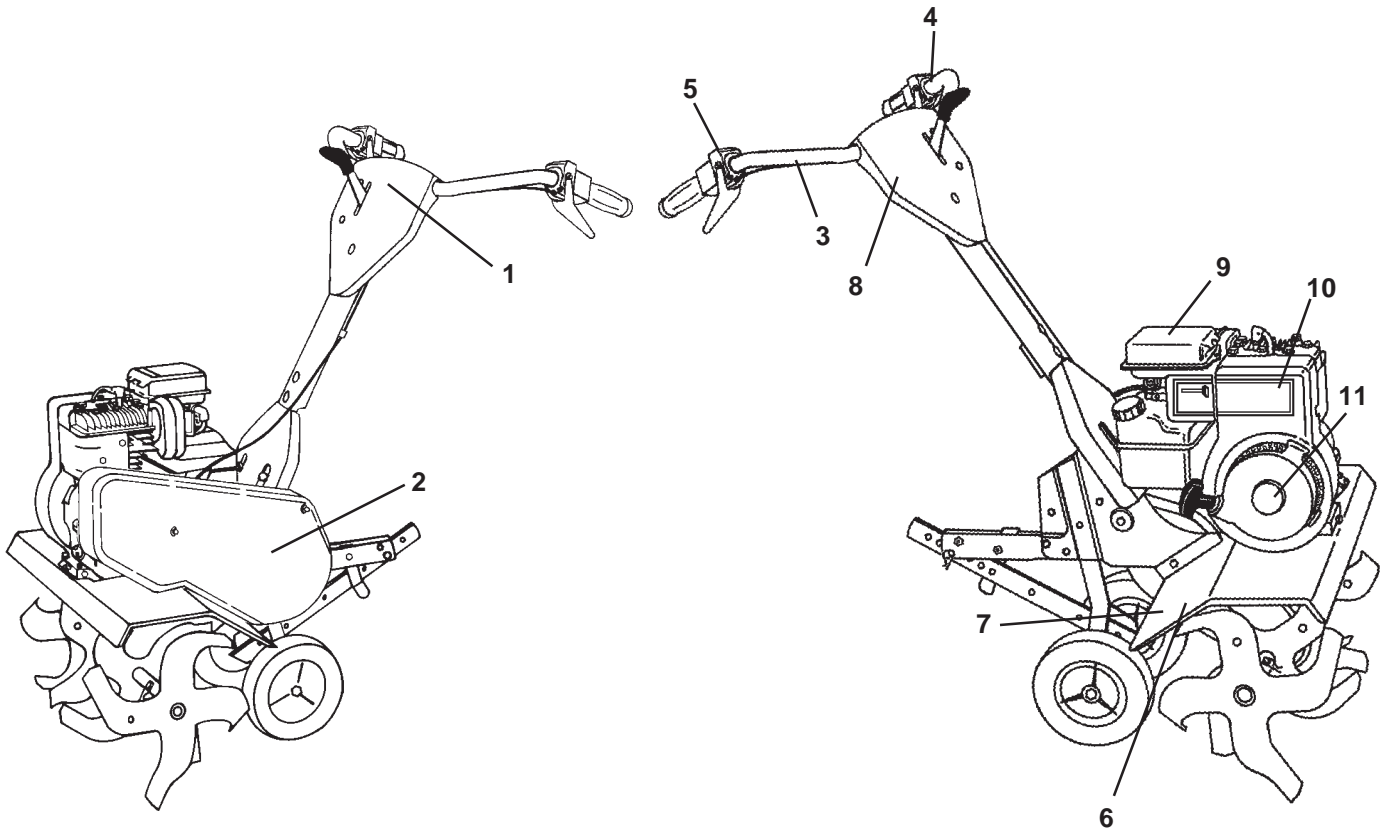
KEY NO.	PART NO.	DESCRIPTION
1	874760524	Bolt, Hex 5/16-18 x 1-1/2 Gr. 2
2	874780652	Bolt, Hex, Fin 3/8-16 x 3-1/4
3	819131311	Washer 13/32 x 13/16 x 11
5	873800600	Locknut, Hex, w/washer 3/8-16
6	532138343	Shield, Tine
7	532001949	Bracket, Engine, R.H.
8	532001948	Bracket, Engine, L.H.
9	810040500	Washer, Lock 5/16
10	873220500	Nut, Hex 5/16-18
11	874760544	Bolt, Hex 5/16-18 x 2-3/4
12	532151222	Transmission

KEY NO.	PART NO.	DESCRIPTION
13	819171616	Washer 17/32 x1 x 16 Ga.
14	532009173	Spacer, Split
15	873510500	Nut, Keps 5/16
16	819091412	Washer 9/32 x 7/8 x 12 Ga.
17	819092016	Washer 9/32 x 1-1/4 x 16 Ga.
18	810040400	Washer, Lock 1/4
19	874610412	Bolt, Hex 1/4-28 x 3/4 Gr. 5
20	-----	Engine Model No. 137202

NOTE: All component dimensions given in U.S. inches.
1 inch = 25.4 mm

FT5

DECALS



KEY NO.	PART NO.	DESCRIPTION
1	532141117	Decal, Logo
2	532151112	Decal, Logo
3	532159877	Decal, Hand Placement
4	532158700	Decal, Control Forward
5	532158701	Decal, Control Reverse
6	532145437	Decal, Europe, Stand CE
7	532156129	Decal, Warning
8	532157607	Decal, Stop/Idle/Fast
9	532110612	Decal, Caution
10	532271948	Decal, Briggs & Stratton
11	532273721	Decal, 5HP
--	532160145	Manual, Operator's (Euro.)
--	532160146	Manual, Operator's (Scand.)