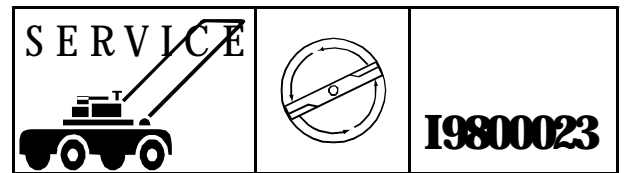


Jonsered



IPL, LTH18 42", 1998-04, 106 24 88-63

LTH18 42"

Spare parts

Ersatzteile

Pièces détachées

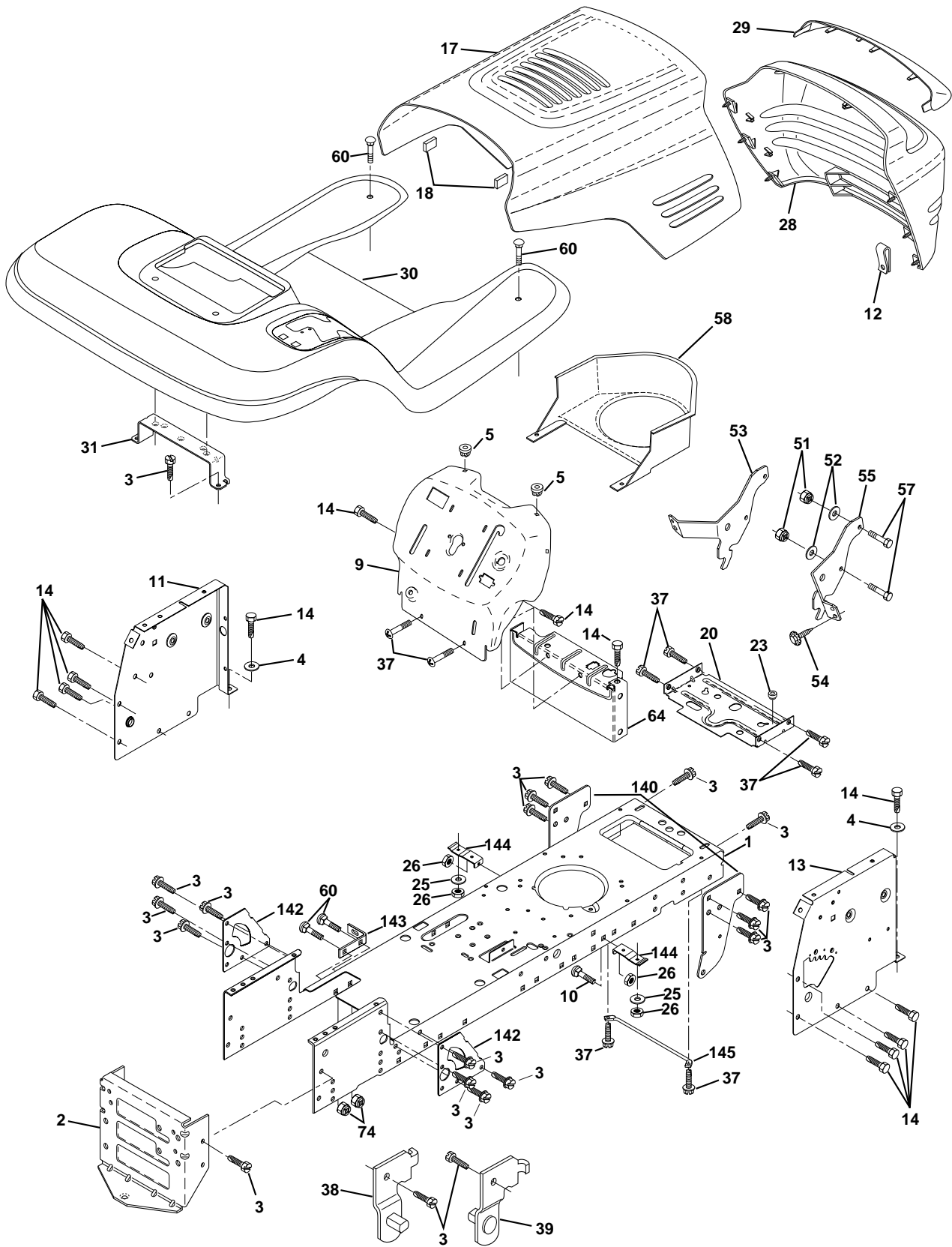
Reserve onderdelen

Repuestos

Reservdelar

A

CHASSIS AND ENCLOSURES



A

CHASSIS AND ENCLOSURES

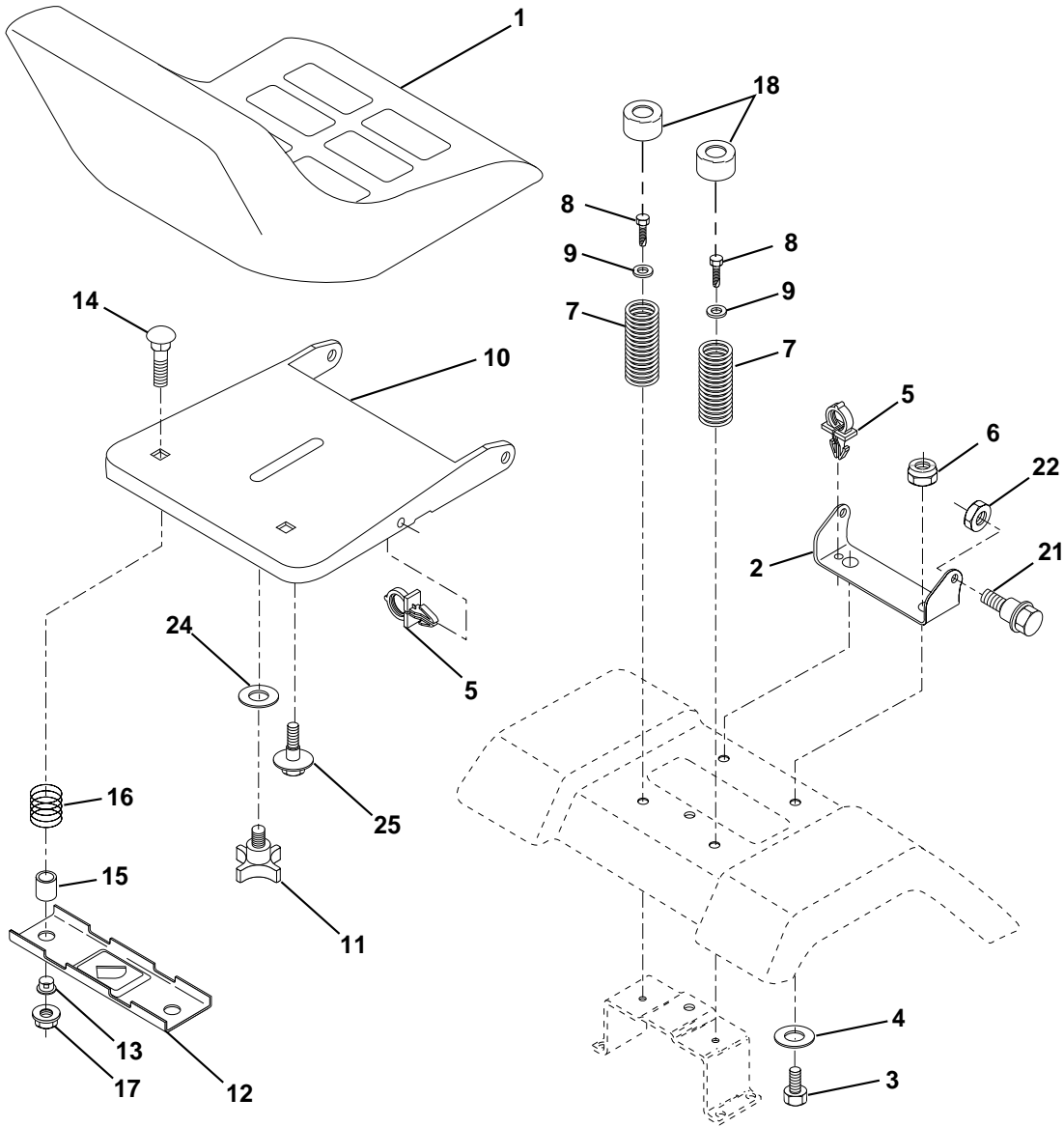
KEY NO.	PART NO.	DESCRIPTION
1	532160392	Chassis
2	532140356	Drawbar, Stretch
3	817490612	Screw Thdrol 3/8-16x3/4 Ty-tt
4	819131216	Washer 13/32 x 3/4 x 16 Ga.
5	532155272	Bumper Hood/Dash
9	532156792	Dash P/L
10	872140608	Bolt Carriage 3/8-16 x 1
11	532155927	Panel Pnt Dash Lh
12	532145660	Clip, Tinnerman Grille P/L
13	532155936	Panel AsmDash Rh
14	817490608	Screw Thdrol 3/8-16x1/2 Ty-tt
17	532150760	Hood
18	532126938	Bumper Hood
20	532156437	Plate Mtg Battery/Fuel tank fr
23	532124028	Bushing Snap Nyl Blk Fuel Line
25	819131312	Washer 13/32 X 13/16 X 12 Ga
26	873800600	Nut Lock Hex W/Ins 3/8-16 Unc
28	532150671	Grille w/Clips MS-505
29	532145199	Lens
30	532156793	Fender
31	532139976	Bracket Pnt Fender
37	817490508	Screw Thdrol 5/16-18 x 1/2
38	532139886	Bracket, Asm. Pivot, L.H., Mower Rear
39	532139887	Bracket, Asm. Pivot, R.H., Mower Rear
51	873800400	Nut Lock Hex W/Ins 1/4-20
52	819091416	Washer 9/32 x 7/8 x 16 Ga.
53	532145201	Bracket Pnt. Pick off
54	532161464	Screw, Hex Wshd 8-18 x 7/8
55	532145202	Bracket, Grille Pickoff Rh
57	874780412	Bolt Hex 1/4-20 x 3/4
58	532150127	Duct Air Engine PL/LT
60	872140606	Bolt, Rdhd Sqnk 3/8-16 UNC x 3/4
64	532154798	Dash Lower STLT
74	873680600	Nut, Crownlock 3/8-16 UNC
140	532158418	Bracket, Suspension Front
142	532156095	Plate Reinforcement STLT
143	532154966	Bracket Chassis Swaybar
144	532154207	Bracket Footrest STLT
145	532156524	Rod Pivot Chassis/Hood

NOTE: All component dimensions given in U.S. inches.

1 inch = 25.4 mm

C

SEAT ASSEMBLY



KEY PART NO. NO.

DESCRIPTION

1	532127440	Seat
2	532140551	Bracket Pivot Seat 8 720
3	874760616	Bolt Fin Hex 3/8-16 UNC x 1
4	819131610	Washer 13/32 x 1 x 10 Ga.
5	532145006	Clip Push-in Hinged
6	873800600	Nut Lock Hex w/Inx 3/8-16 UNC
7	532124181	Spring Seat Cprsn 2 250 Blk Zi
8	817490616	Screw Thdrol 3/8-16 x 1 TY-TT
9	819131614	Washer 13/32 x 1 x 14 Ga.
10	532155925	Pan Seat
11	532120068	Knob Seat 1/2-13unc Blk

KEY PART NO. NO.

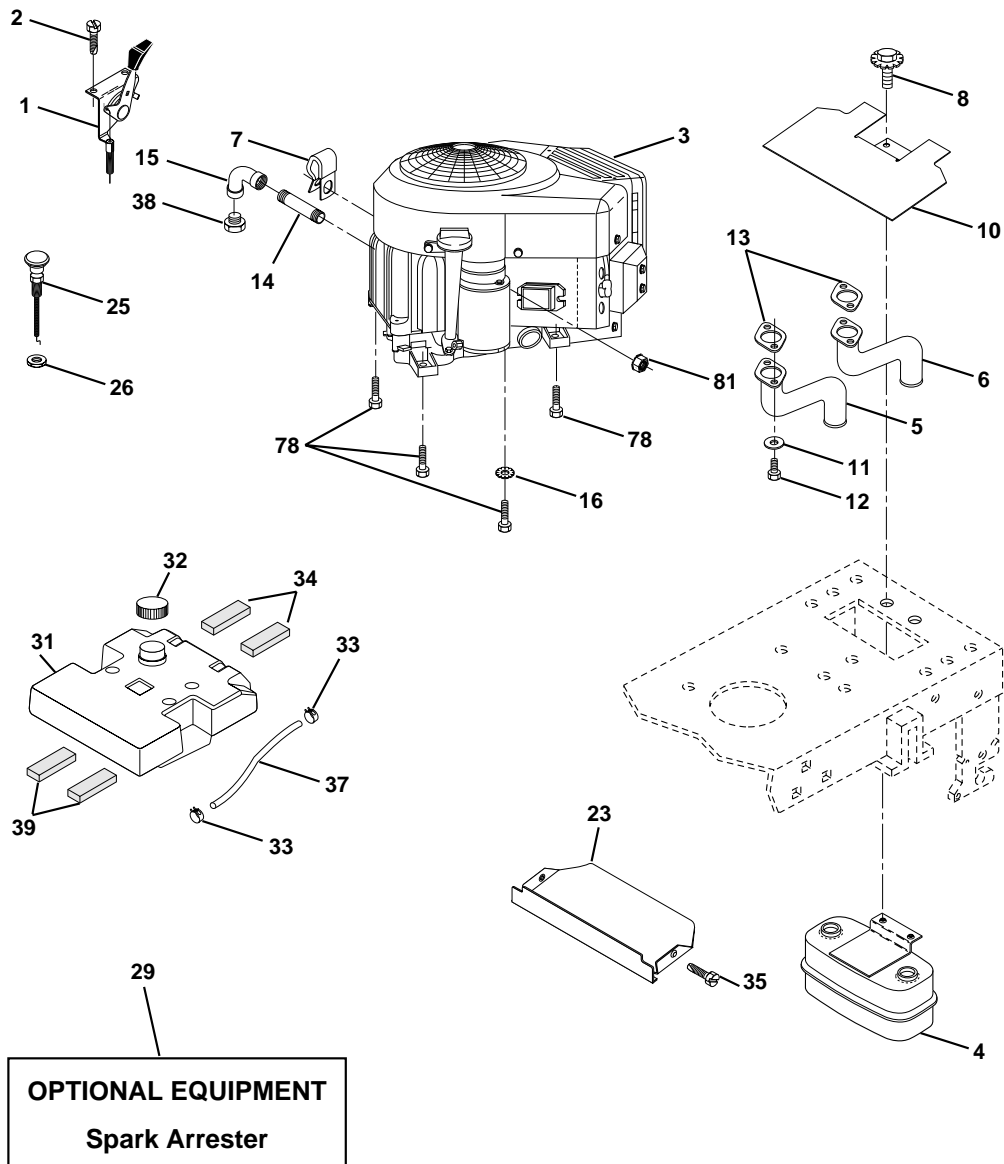
DESCRIPTION

12	532121246	Bracket Mounting Switch
13	532121248	Bushing Snap Blk Nyl 50 Id
14	872050412	Bolt Rdhd Sht Nk 1/4-20x1-1/2
15	532121249	Spacer Split 28x 88 Yel Zinc
16	532123740	Spring Cprsn 1 310 Blk Pnt
17	532123976	Nut Lock 1/4 Lge Flg Gr 5 Zinc
18	532124238	Cap Spring Seat
21	532153236	Bolt Shoulder 5/16-18 Unc 1-2A
22	873680500	Nut Crown Lock 5/16-18
24	819171912	Washer 17/32 X 1-3/16 X 12 Ga
25	532127018	Bolt Shoulder 5/16-18 X 62

NOTE: All component dimensions given in U.S. inches.
1 inch = 25.4 mm

F

ENGINE



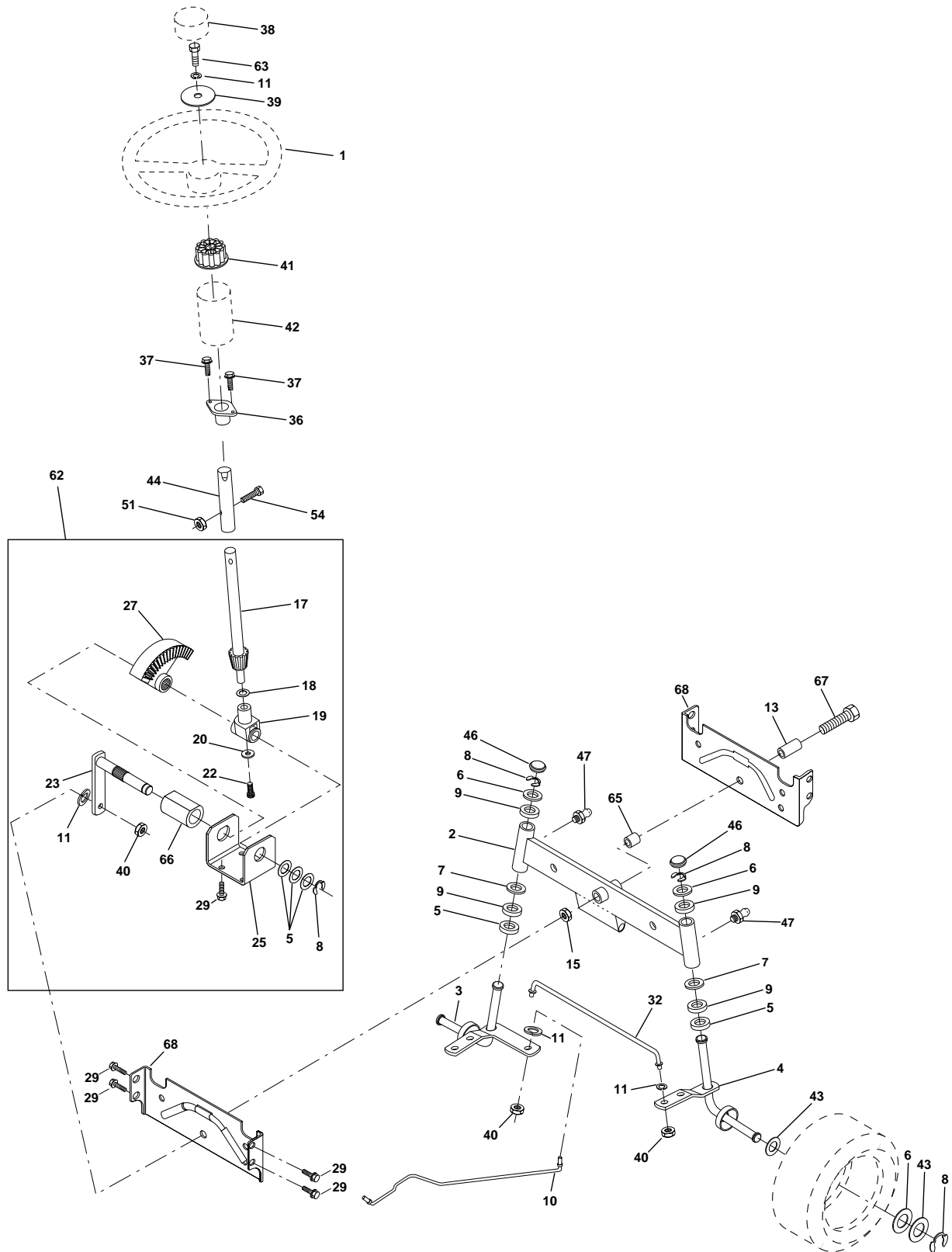
KEY NO.	PART NO.	DESCRIPTION
1	532148875	Control Throt
2	817720410	Screw Hex Thd Cut 1/4-20x5/8 T
3	-----	Engine Model No. 350777 (B&S)
4	532149723	Muffler Twin Lo-Twin
5	532122434	Tube, Manifold Lh
6	532122435	Tube, Manifold Rh
7	532138129	Clamp
8	532150176	Bolt 5/16-18 Unc x 3/4 w/Sems
10	532145552	Shield Heat LT
11	-----	Washer Lock Hvy Hlcl 1/4 (Order from Engine Manufacturer)
12	-----	Bolt, Fin Hex 1/4-20 x 3/4 (Order from Engine Manufacturer)
13	-----	Muffler Gasket (Order from Engine Manufacturer)
14	813280336	Nipple Pipe 3/8 Npt X 4-1/2"
15	813200300	Elbow Std 90 Degree 3/8-18 Npt

KEY NO.	PART NO.	DESCRIPTION
16	811050600	Washer Lock Ext Tooth 3/8
23	532159880	Shield Brn/Dbr Guard
25	532145996	Choke Control 37"
26	873920600	Nut, Keps 3/8-24 Unf
29	532137180	Kit Spark Arrester (Flat Scrn)
31	532157103	Tank Fuel 3 50 STLT w/o Sensor
32	532140527	Cap Asm Fuel W/sym Vented
33	532123487	Clamp Hose Blk
34	532106082	Pad, Spacer
35	817490512	Screw Thdrol 5/16-18 x 3/4
37	532142158	Line Fuel 54"
38	-----	Plug Oil Drain (Order From Engine Manufacturer)
39	532109227	Pad, Idler
40	532124952	Bushing
78	817490620	Screw, Thdrol 3/8-16 x 1-1/4 Tytt
81	532128861	Nut Flange 1/4-20 Starter Nut

NOTE: All component dimensions given in U.S. inches.
1 inch = 25.4 mm

H

STEERING ASSEMBLY



H

STEERING ASSEMBLY

KEY NO.	PART NO.	DESCRIPTION
1	532140044	Wheel Steering
2	532137094	Axle Asm
3	532157479	Spindle Asm LH
4	532157478	Spindle Asm RH
5	532124931	Washer Thrust .75 x 1.230
6	532121748	Washer 25/32 X 1-5/8 X 16 Ga
7	819272016	Washer 27/32 X 1-1/4 X 16 Ga
8	812000029	Ring Klip #t5304-75
9	532124937	Bearing Col Strg Blk
10	532154432	Link Drag
11	810040600	Washer Lock Hvy Hlcl Spr 3/8
13	532154779	Spacer Bearing Axle STLT/GT
15	873901000	Nut Lock Flange 5/8-11 Unc
17	532156546	Shaft Asm Strg Private Label
18	532057079	Washer Thrust 515x 750x 033
19	532124035	Support Shaft
20	532126684	Washer Shim 1/4 X 5/8 X 062
22	871200410	Screw, Hex Socket 1/4-20 x 5/8
23	532127501	Shaft Asm Pittman
25	532154406	Bracket Steering
27	532136874	Gear Sector
29	817490612	Screw Thdrol 3/8-16x3/4 Ty-tt
32	532137347	Rod Tie
36	532155099	Bushing Strg
37	532152927	Screw TT #10-32.5.3/8 Flange
38	532140045	Insert Cap Strg Wh
39	819133808	Washer 13/32 X 2-3/8 X 8 Ga
40	532124701	Nut Lock Center 3/8-24unf
41	532100711	Adaptor Wheel Strg 758/753 ID
42	532145054	Boot Steering Dash
43	532121749	Washer 25/32 X 1 1/4 X 16 Ga
44	532153720	Extention Steering
46	532121232	Cap Spindle Fr Top Blk
47	532124836	Fitting Grease
51	873800500	Nut Lock Hex w/Ins 5/16-18
54	874780520	Bolt Fin Hex 5/16-18 Unc x 1-1/4
62	532156594	Kit, Steering Assembly
63	874780616	Bolt, Fin Hex 3/8-16 UNC x 1 Gr. 5
65	532154780	Spacer Axle
66	532154404	Bearing Arm Pittman
67	874781044	Bolt, Fin Hex 5/8-11 UNC x 2-3/4
68	532154429	Brace Axle

NOTE: All component dimensions given in U.S. inches.
1 inch = 25.4 mm.

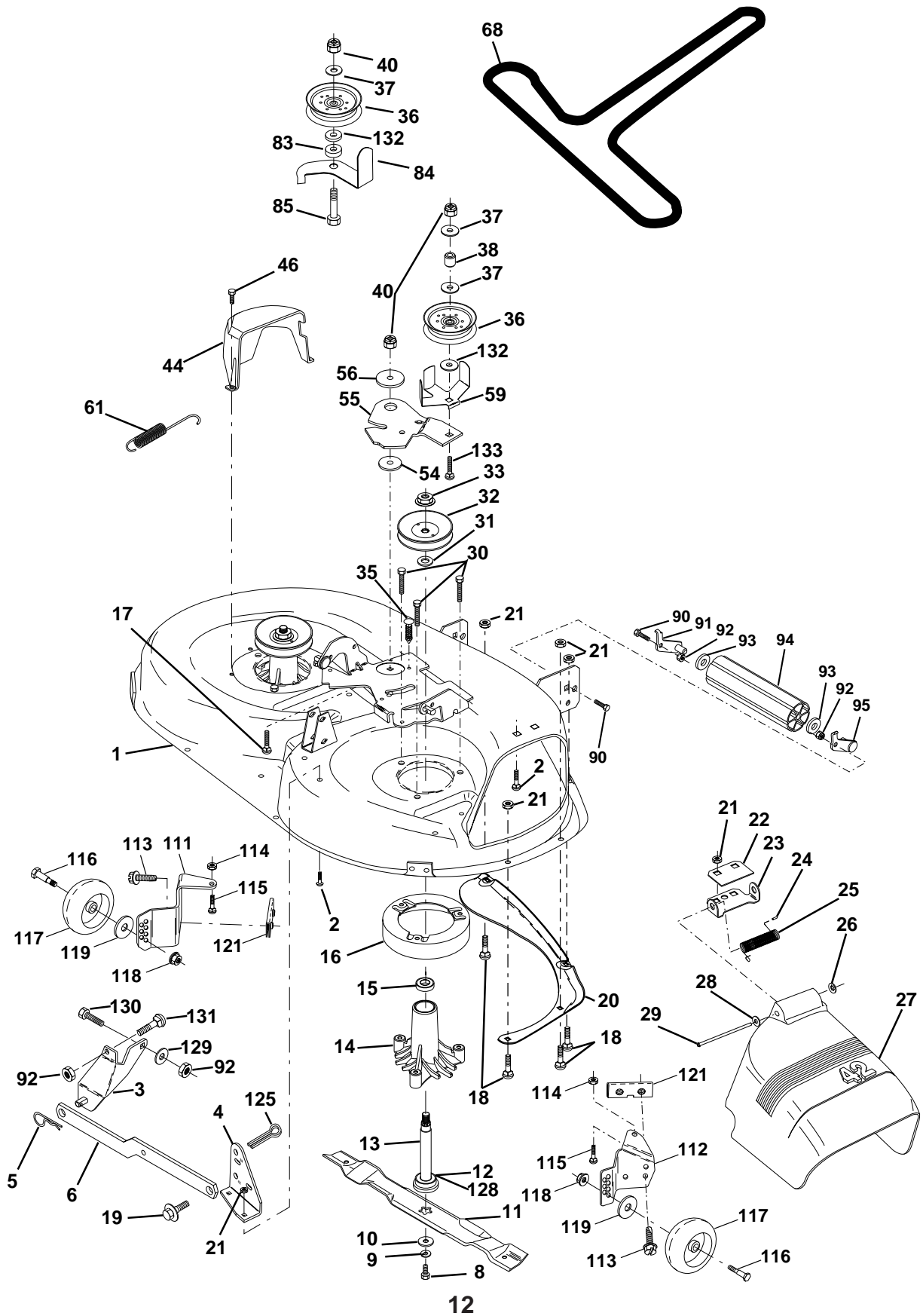
L DRIVE

KEY NO.	PART NO.	DESCRIPTION	KEY NO.	PART NO.	DESCRIPTION
1	532150071	Transaxle w/cas Hydro 310-0650	61	817490612	Screw Thdrol. 3/8-16 x 3/4 Ty. TT
2	532142431	Spring, Return, Brake	62	532124872	Cover, Pedal Premium
3	532143995	Pulley, Transaxle Hydro 750 LT	63	532140189	Pulley, Engine
8	532154792	Rod Shift Fender STLT	65	810040700	Washer Lock Hvy HLCL Spr 7/16
9	532160889	Clutch Electric EVX	73	532156347	Strap Torque Rh Hydro
10	876020416	Pin Cotter 1/8 x 1 CAD	71	532140158	Strap Torque Lh Hydro 18/20" T
16	873800500	Nut Lock Hex W/Ins. 5/16-18 Unc P	74	532121199	Spacer, Split
18	874780616	Bolt Fin Hex 3/8-16 Unc x 1 Gr.5	75	532121749	Washer 25/32 x 1-1/4 x 16 Ga.
19	873800600	Nut Lock Hex W/Ins 3/8-16 Unc	76	812000001	E-Ring
20	532150280	Bolt, Hex 7/16-20 x 4-1/4 5 Ga. 1.38	77	532123583	Key, Square
21	532130564	Knob Deluxe 1/2-13 UNC Blk/Red	78	532121748	Washer 25/32 x 1-5/8 x 16 Ga
22	532145627	Rod, Brake Hydro	81	532161079	Shaft Asm. Cross Hydro 20" Tires
23	532154978	Bracket Asm Mtg CL	82	532123782	Spring Torsion T/A
24	873350600	Nut Hex Jam 3/8-16 UNC	83	819171216	Washer 17/32 x 3/4 x 16 Ga.
25	532106888	Spring, Brake Rod	84	532161901	Rod, Tie Hydro
26	819131316	Washer	86	532157480	Bushing
27	876020412	Pin Cotter 1/8 x 3/4 CAD.	87	819212016	Washer 21/32 x 1-1/4 x 16 Ga.
28	532145204	Rod, Parking Brake	88	812000008	Ring Klip #5304-62
29	532071673	Cap,Parking Brake	89	532158388	Console, Hydro Shift STLT
30	532130807	Bracket, Transaxle	90	532124346	Nut Self Thd Wsh-Hd 1/4 Zinc
32	874760512	Bolt Hex Hd 5/16-18 Unc x 3/4	93	532142564	Line Fuel Hydro 4"
33	872140506	Bolt Carriage 5/16-18 UNC x 3/4	94	532140462	Fan, Hydro 7"
34	532155071	Shaft, Foot Pedal	95	532144643	Control Asm. Bypass Hydro
35	532120183	Bearing, Nylon	96	532124788	Retainer Spring 1" Zinc/Cad
36	819211616	Washer	97	532140469	Keeper Belt Rh Hydro 0750.18/20"
37	532124963	Pin, Roll	98	873510600	Nut Keps Hex 3/8-16 Unc
38	532123674	Pulley, Idler, Flat	100	819111216	Washer 11/32 x 3/4 x 16 Ga.
39	874760644	Bolt	102	532141322	Washer Belleville .501D x 1.50D
40	532124965	Spacer Split	103	873940800	Nut Hex Jam Toplock 1/4-20 Unf
41	532154777	Keeper, Belt Idler	104	532140156	Arm, Control Hydro
42	819131312	Washer 13/32 x 13/16 x 12 Ga	105	871070516	Screw Cap Hex 5/16 x 18 x 1
47	532127783	Pulley, Idler, V-Groove Plastic	106	874780520	Bolt Fin Hex 5/16-18 Unc x 1-1/4
48	532154407	Bellcrank Clutch Grnd Drv Stl	144	819111016	Washer 11/32 x 5/8 x 16 Ga.
49	532123205	Retainer, Belt Style Spring	145	874490524	Bolt Hex Flghd 5/16-18 x Gr. 5
50	874760624	Bolt	146	874490536	Bolt Hex Flghd 5/16-18 x 2-1/4
51	873680600	Nut	147	874490524	Bolt Hex Flghd 5/16-18 x 1-1/2
53	532105710	Link, Clutch	148	532159103	Spacer
55	532105709	Spring, Return, Clutch	149	532122052	Spacer Retainer PM Mower
56	874760620	Bolt, Fin Hex 3/8-16 UNC x 1 1/4	150	532150935	Bushing Nylon Collered
57	532140294	V-Belt, Ground Drive	151	81913210	Washer 13/32 x 2 x 10 Ga.
59	532140312	Keeper, Center Span			

NOTE: All component dimensions give in U.S. inches.
1 inch = 25.4 mm

M

MOWER DECK



M

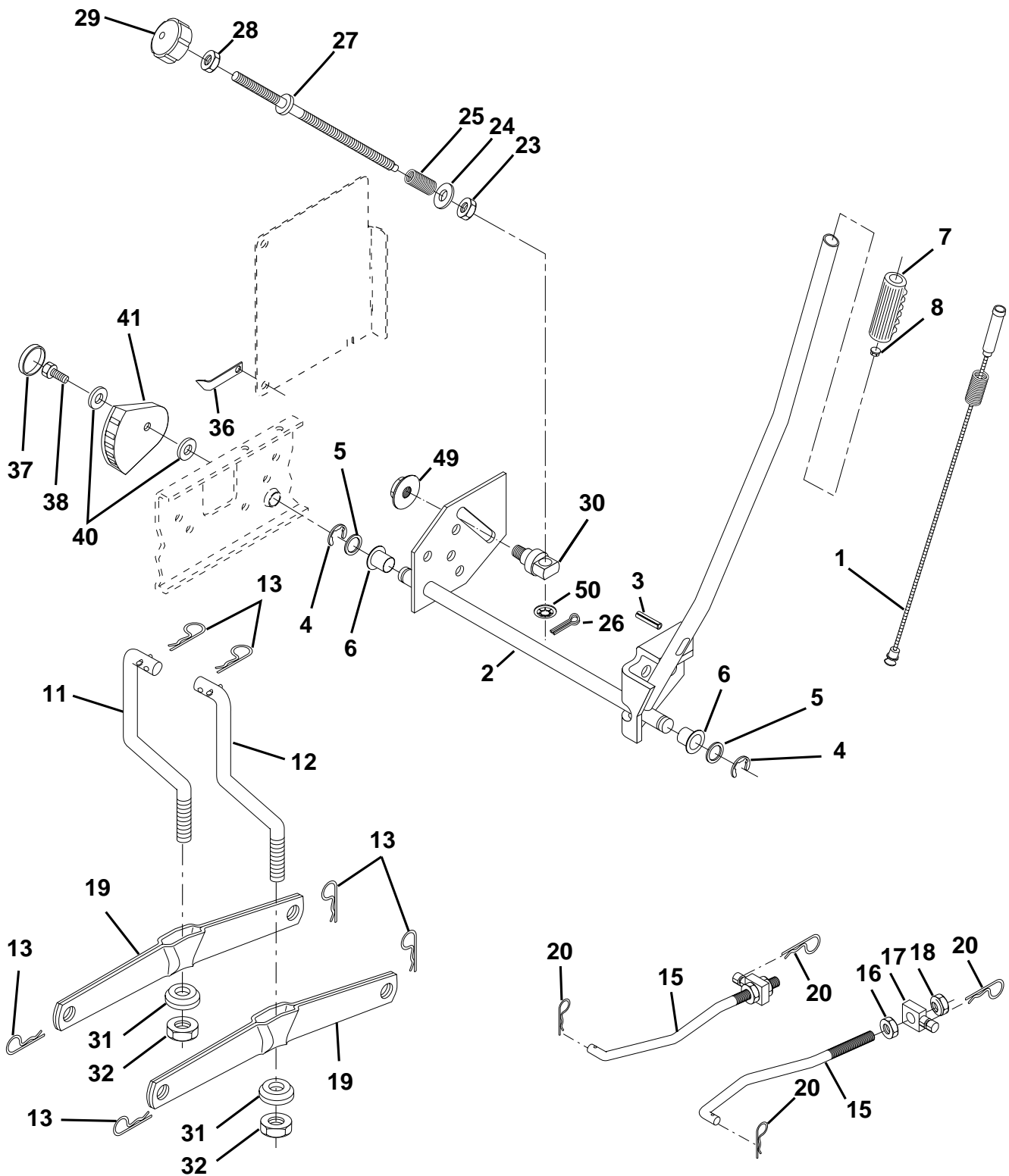
MOWER DECK

KEY NO.	PART NO.	DESCRIPTION	KEY NO.	PART NO.	DESCRIPTION
1	532144393	Housing Asm Mower 42"94 T-Path	55	532140084	Arm Idler 42"mower LT/YT
2	872140506	Bolt Rdhd Sqnk 5/16-18unc X3/4	56	532122052	Spacer Retainer Pm Mower
3	532138017	Bracket Asm Fr Sway Bar 38/42	59	532141043	Guard, Belt
4	532138440	Bracket Asm Deck 42"sway Bar	61	532131950	Spring Ext. Elect
5	532124670	Retainer Spring	68	532144200	V-Belt Mower
6	532130832	Arm Suspension Rear	83	532120958	Washer Sintered
8	532850857	Bolt 3/8-24x1 25 Gr8 Patched	84	532156084	Keeper Belt Idler
9	810030600	Washer Lock Hvy 3/8 Unplated	85	872140618	Bolt Carriage 3/8-16 x 2-1/4
10	532140296	Washer Hard Blade Mower Vented	90	874760616	Bolt Fin Hex 3/8-16unc X 1
11	532138498	Blade Mower High Lift"	91	532132274	Bracket Asm Noseroller LH
12	532129895	Bearing Ball #6204 (Mandrel)	92	873800600	Nut Lock Hex w/ins. 3/8-16 UNC
13	532137645	Shaft Asm W/lower Bearing	93	819171416	Washer 17/32 X 7/8 X 16 Ga
14	532128774	Housing Mandrel Vented(machd)	94	532132264	Roller Nose 38 & 42
15	532110485	Bearing Ball Mandrel	95	532132273	Bracket Asm Noseroller RH
16	532140329	Stripper Round Mower	111	532155197	Bracket Gauge Wheel Lh
17	872110618	Bolt Rdhd Sqnk 3/8-16 X 2-1/4	112	532155198	Bracket Gauge Wheel Rh
18	872140505	Bolt Carr 5/16-18 X 5/8	113	817490512	Screw Thdrol 5/16-18 x 3/4
19	532132827	Bolt Shoulder	114	873510500	Nut Keps 5/16-18 UNC
20	532159770	Baffle Vortex 42	115	872110504	Bolt Carriage 5/16-18unc x 1/2
21	873680500	Nut Crown Lock 5/16-18	116	532146851	Bolt Shoulder
22	532134753	Stiffener Bracket 42"deck	117	532146850	Wheel Gauge
23	532131267	Bracket Deflector Mower 42"	118	873930600	Nut Centerlock 3/8-16 UNC
24	532105304	Cap Sleeve 80x 112 Blk Mower	119	819121414	Washer 3/8 x 7/8 x 14 Ga.
25	532123713	Spring Torsion Deflector 2 52	121	532143723	Bracket Extruded Gauge Wheel
26	532110452	Nut Push Phos & Oil	125	876020816	Cotter Pin
27	532130968	Shield Deflector	128	532153390	Washer Felt
28	819111016	Washer 11/32 X 5/8 X 16 Ga	129	819131312	Washer 13/32 x 13/16 x 12 Ga.
29	532131491	Rod Hinge 42"6 75 Wlg	130	874780616	Bolt Fin Hex 3/8-16 UNC x 1 Gr. 5
30	532157722	Screw Thd Rolling Washer Head	131	872140608	Bolt Rdhd Sqnk 3/8-16 UNC x1
31	532129963	Washer Spacer Mower Vented	132	819132203	Washer 13/32 x 1-3/8 x 3 Ga.
32	532153535	Pulley Mandrel	133	872110622	Bolt Rdhd 3/8-16 Unc x 2-3/4 Gr. 5
33	532137266	Nut 9/16top Lock Flng Cntr	--	532145024	Deck Serv 42" Elec Vent (Standard Deck - Order Nose Roller, Gauge Wheel and Mulcher Plate components separately Key Nos. 90-95, 101-106 and 111-121)
35	532133835	Fastner Christmas Tree	--	532130794	Mandrel Assembly (Includes Key Numbers 8-10, 12-15, 31 and 33)
36	532131494	Pulley Idler Flat 3 060			
37	819131316	Washer 13/32 X 13/16 X 16 Ga			
38	532132823	Spacer Spring Stop Idler			
40	873680600	Nut Lock 3/8-16 Unc			
44	532140088	Guard Mandrel LH Black			
46	532137729	Screw Thdrol 1/4-20x5/8			
54	532133943	Washer Hardened			

NOTE: All component dimensions given in U.S. inches
1 inch = 25.4 mm



MOWER LIFT



O

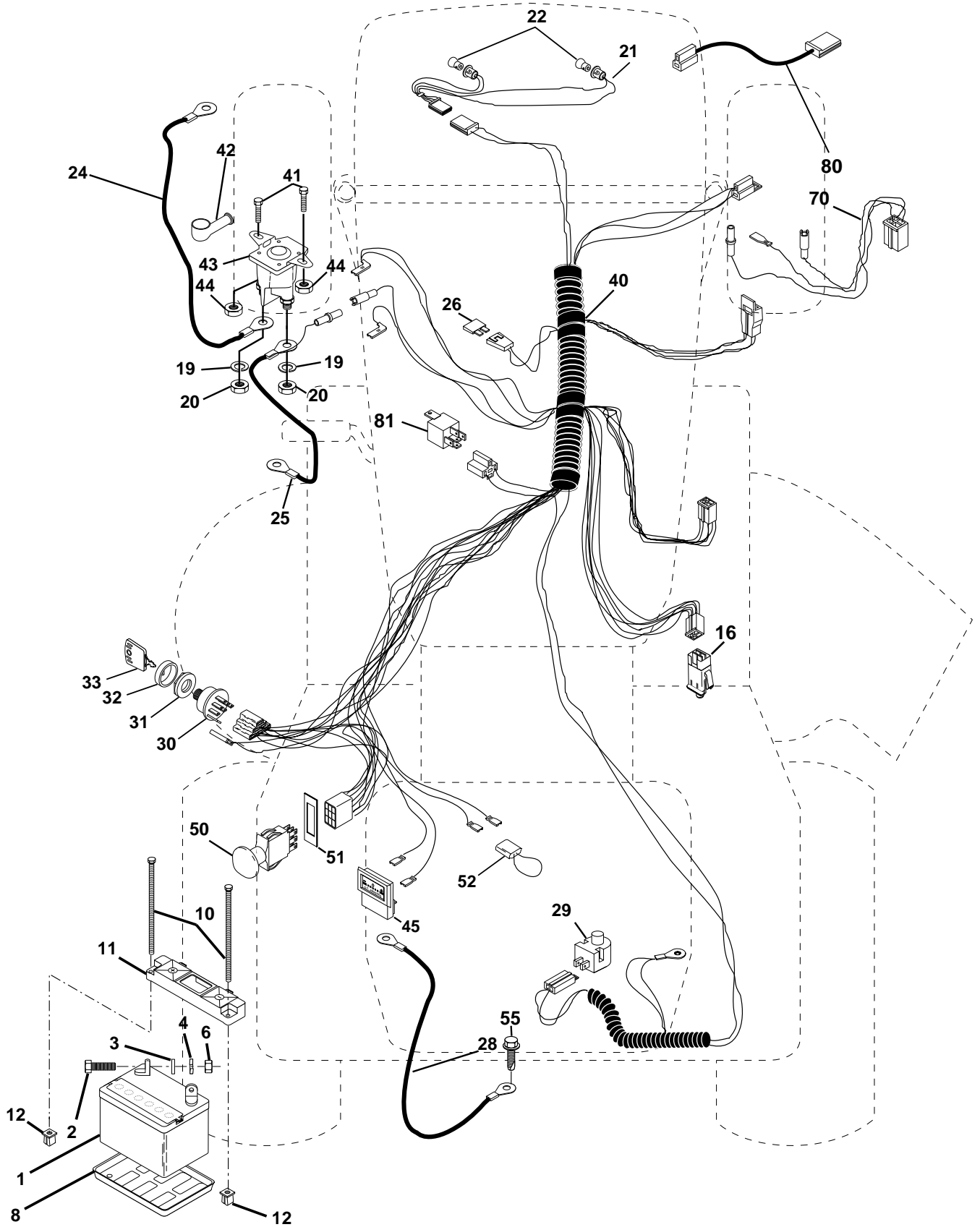
MOWER LIFT

KEY NO.	PART NO.	DESCRIPTION
1	532159460	Wire Asm Inner W/plunger
2	532159471	Shaft Asm Lift RH
3	532105767	Pin Groove 1 500 Zinc
4	812000002	E Ring #5133-62
5	819211621	Washer 21/32 X 1 X 21 Ga
6	532120183	Bearing Nylon Blk 629 Id
7	532125631	Grip Handle
8	532124526	Button Plunger Black
11	532139865	Link Lift LH Fixed Length
12	532139866	Link Lift RH Fixed Length
13	532124670	Retainer Spring
15	532127218	Link Front
16	873350800	Nut Jam Hex 1/2-13 Unc
17	532130171	Trunnion Blk Zinc
18	873800800	Nut Lock W/wsh 1/2-13unc
19	532139868	Arm Suspension Rear
20	532163552	Retainer Spring
23	532110807	Nut Special
24	819131016	Washer 13/32 X 5/8 X 16 Ga
25	532124874	Spring 2-1/8"
26	876020308	Pin Cotter 3/32 X 1/2
27	532126971	Rod Adj Lift Zinc 7.49 Wrk Lg
28	873350600	Nut Hex Jam 3/8-16 Unc
29	532138057	Knob Inf 3/8-16 Unc Blk W/sym
30	532150233	Trunnion Infin Height
31	532140302	Bearing Pvt Lift Spherical
32	873540600	Nut Crownlock 3/8-24
36	532155097	Pointer Height ind
37	532123935	Plug Hole Blk 1.485/1.515 Dia.
38	817490512	Screw Thdrol 5/16-18 x 3/4
40	819112410	Washer 11/32 x 1-1/2 10 Ga.
41	532155098	Ind. Height STLT
49	532145212	Nut Hexflange Lock
50	532110452	Nut Push Phos & Oil

NOTE: All component dimensions given in U.S. inches
1 inch = 25.4 mm

P

ELECTRICAL



P

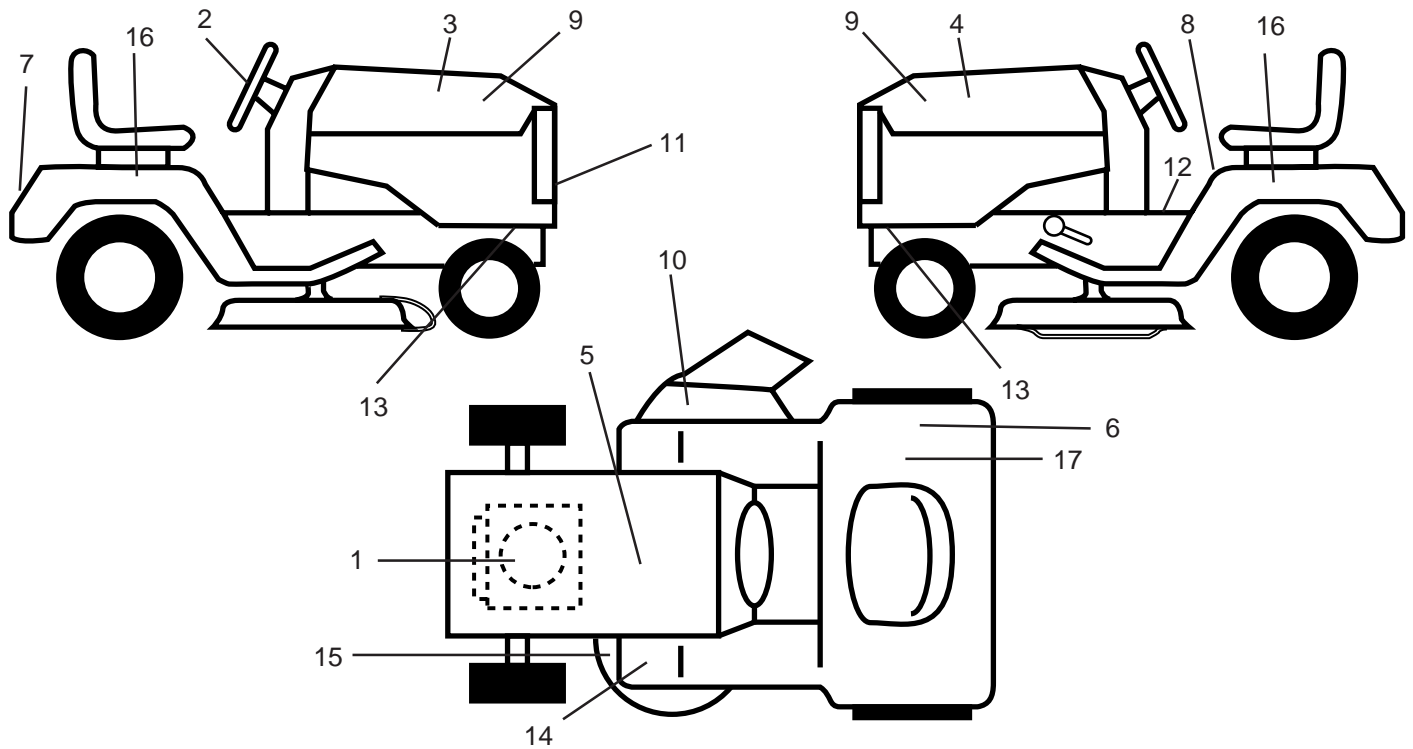
ELECTRICAL

KEY NO.	PART NO.	DESCRIPTION
1	532163465	Battery 12 Volt 28 AMP
2	874760412	Bolt Hex Hd 1/4-20unc X 3/4
3	819091016	Washer 9/32 X 5/8 X 16 Ga.
4	810040400	Washer Lock Hvy Helical 1/4
6	873220400	Nut Fin Hex 1/4-20 Unc
8	532124886	Case Tray Brty 7.80 x 5.25 Blk
10	532145211	Bolt Btr Frt 1/4-20 x 7.5 zinc
11	532150109	Holddown Battery mount
12	532145769	Nut Push Nylon 1/4 Battery Frt.
16	532153664	Switch Interlock Push-In
19	810090400	Washer Lock 1/4
20	873350400	Nut Jam Hex 1/4-20 Unc
21	532147430	Harness Asm Light W/4152j
22	532004152	Bulb Light #1156
24	532124780	Cable Battery 6 Ga 11" red
25	532146148	Cable Battery 6 Ga 22" w/16W
26	532108824	Fuse 30 AMP Auto Green
28	532145491	Cable Ground 21" Blk 6 Ga 90T
29	532160784	Switch Plunger Normal Op Olive
30	532140301	Switch Ign 4 pos w/lights
31	532124211	Nut Ignition
32	532141226	Cover Sw Ignition
33	532122147	Key Ign Modleded Generic
40	532160720	Harness Ign.
41	871110408	Bolt Blk Fin Hex 1/4 - 20 x 1/2
42	532131563	Cover Terminal Red
43	532145673	Solenoid
44	873640400	Nut Keps Hex 1/4-20 Unc
45	532122822	Ammeter Rectangular 15 Amp
50	532154959	Switch PTO 3 PTD Black
51	532140405	Ring Retainer PTO
52	532141940	Protection Wire Loop
55	817490508	Screw Thdrol 5/16-18 x 1/2 Typ
70	532140424	Harness, Eng.
80	532146685	Harness Clutch EVX
81	532109748	Relay Asm.

NOTE: All component dimensions given in U.S. inches.
1 inch = 25.4 mm.

R

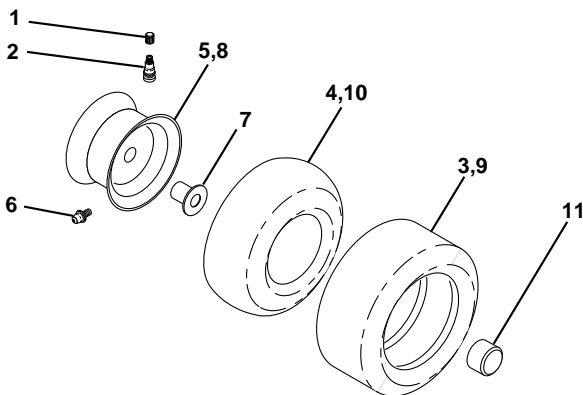
DECALS



KEY NO.	PART NO.	DESCRIPTION	KEY NO.	PART NO.	DESCRIPTION
1	532805721*	Decal Engine	16	532156764*	Decal Fender Automatic
2	532152252*	Decal Ins. Strg. Whl. Jons. Ayp P/L	17	532145437*	Decal Europe Stand CE
3	532152247	Decal Hood RH	-	532162598*	Decal Drawbar Load Limit
4	532152248	Decal Hood LH	-	532138311*	Decal Lift Handle(Lift Handle)
5	532145005*	Decal Btry DNGR/PSN P/L Sym.	-	532142341*	Decal Drawbar Cntrl Mvt Hyd Lt
6	532126187*	Decal 100 DBA Cert. Dutch/Fre	-	532154515*	Pad Footrest LH STLTL
7	532141761*	Decal Fender	-	532154516*	Pad Footrest RH STLTL
8	532145498*	Decal Read Owners Manual	-	532163387	Manual Oper. Euro.
9	532162927*	Decal Hood Insert	-	532163388	Manual Oper. Scan.
10	532145494*	Decal Mower Cuttinger	Available accessories not included with tractor:		
11	532152262*	Decal Grille	-	LSB42	Snow Blower
12	532140837*	Decal Saddle Brake Parking	-	LC05	33 lb. wheel weights (Pair)
13	532159736*	Decal Chassis Hot Muffler	-	CE42	Grass Catcher
14	532159737*	Decal Bracket Clutch Symbol Lt	-	LBD48	Snow Blade
15	532160396*	Decal V-Belt Sch	-	MK420	Mulch Kit
			-	LC06	Tire Chains

*Note: Not in stock, but can be delivered directly from factory

WHEELS & TIRES



KEY NO.	PART NO.	DESCRIPTION
1	532059192	Cap Valve Tire
2	532065139	Stem Valve
3	532106222	Tire F Ts 15 X 6 0 - 6 Service
4	532059904	Tube Front (Service Item Only)
5	532138336	Rim Asm 6" front Silver Service
6	532124957	Fitting Grease (Front Wheel Only)
7	532124959	Bearing Flange (Front Wheel Only)
8	532138337	Rim Asm 8"rear Silver Service
9	532122082	Tire R Ts 20 10 C Service
10	532124926	Tube Rear (Service Item Only)
11	532104757	Cap, Hub Axle Blk 1.50 x 1.00
--	532144334	Tire, Sealant (10 oz. Tube)

NOTE: All component dimensions given in U.S. inches
1 inch = 25.4 mm