

# LRH13 B&S

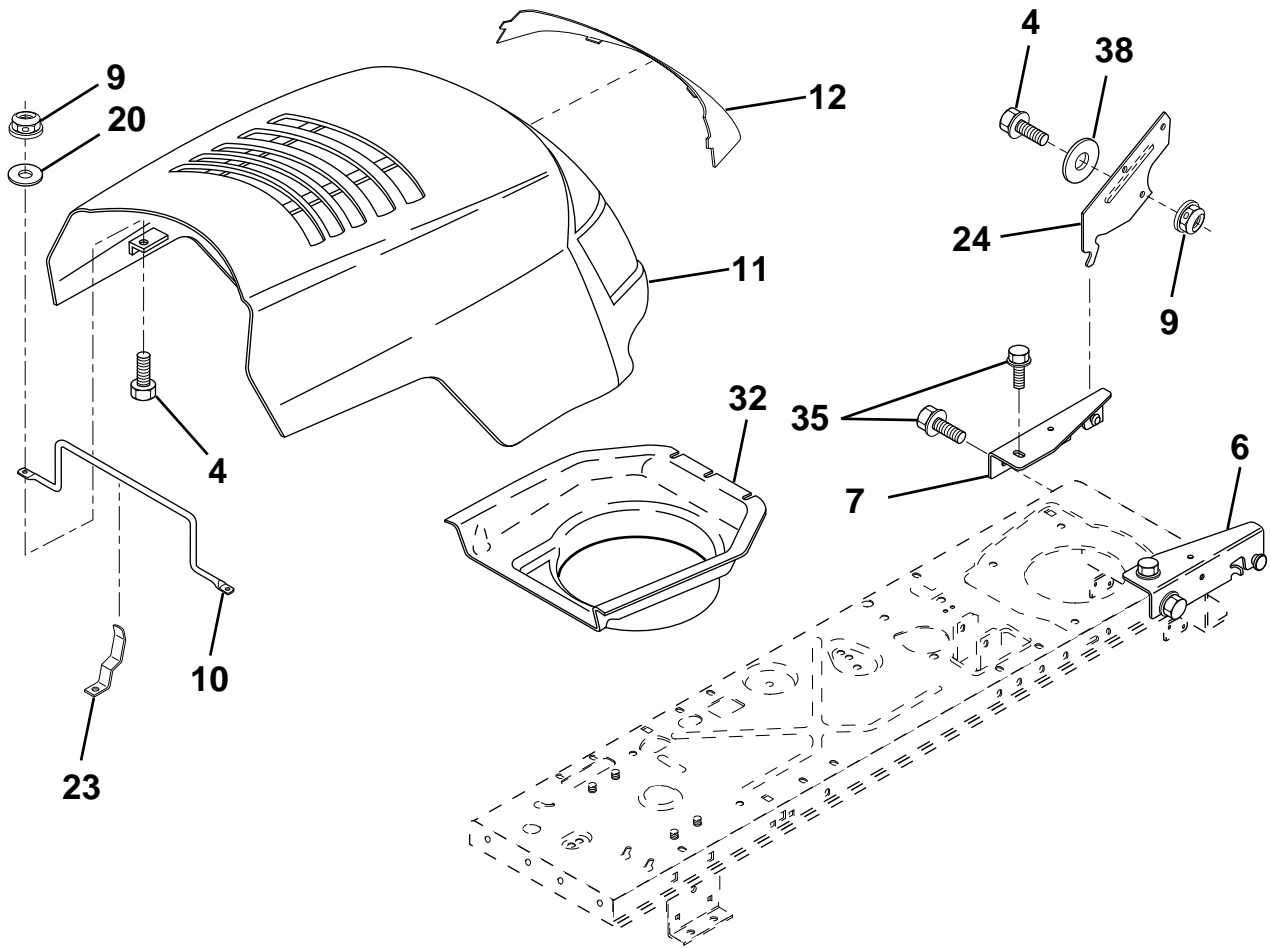
**Spare parts**  
**Ersatzteile**  
**Pièces détachées**  
**Reserve onderdelen**  
**Repuestos**  
**Reservdelar**

**Page "Decals"**

**\*Note: Not in stock, but can be delivered directly from factory.**

# REPAIR PARTS

TRACTOR - MODEL NO. LRH13 (J813H36B), PRODUCT NO. 954 13 00-24  
HOOD

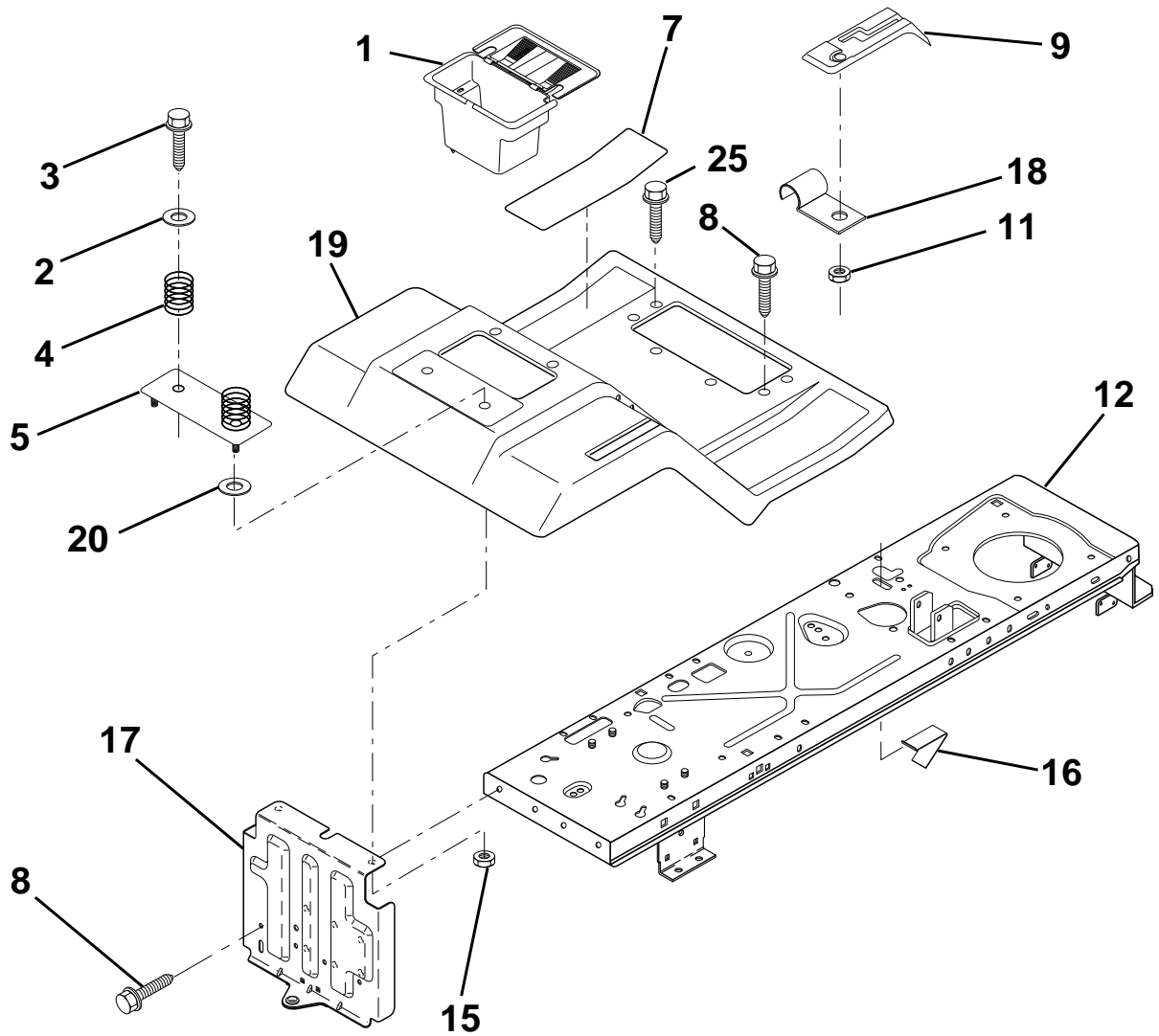


KEY NO.	PART NO.	DESCRIPTION	KEY NO.	PART NO.	DESCRIPTION
4	874780412	Bolt Fin Hex 1/4-20 x 3/4	12	532166677	Lens Bar
6	532140051	Bracket Asm. Pivot Hood RH	20	819091016	Washer, Flat 1/4
7	532140050	Bracket Asm. Pivot Hood LH	23	532139969	Latch Hood
9	873800400	Locknut W/Insert 1/4-20	24	532139158	Bracket Pivot Hood
10	532141321	Rod Support	32	532139624	Duct, Intake Air
11	532141509	Hood	35	817490512	Screw Thdrol 5/16-28 x 3/4
			38	819092016	Washer

HARDWARE SHOWN LARGER FOR EASIER IDENTIFICATION

# REPAIR PARTS

TRACTOR - MODEL NO. LRH13 (J813H36B), PRODUCT NO. 954 13 00-24  
FENDER/CHASSIS

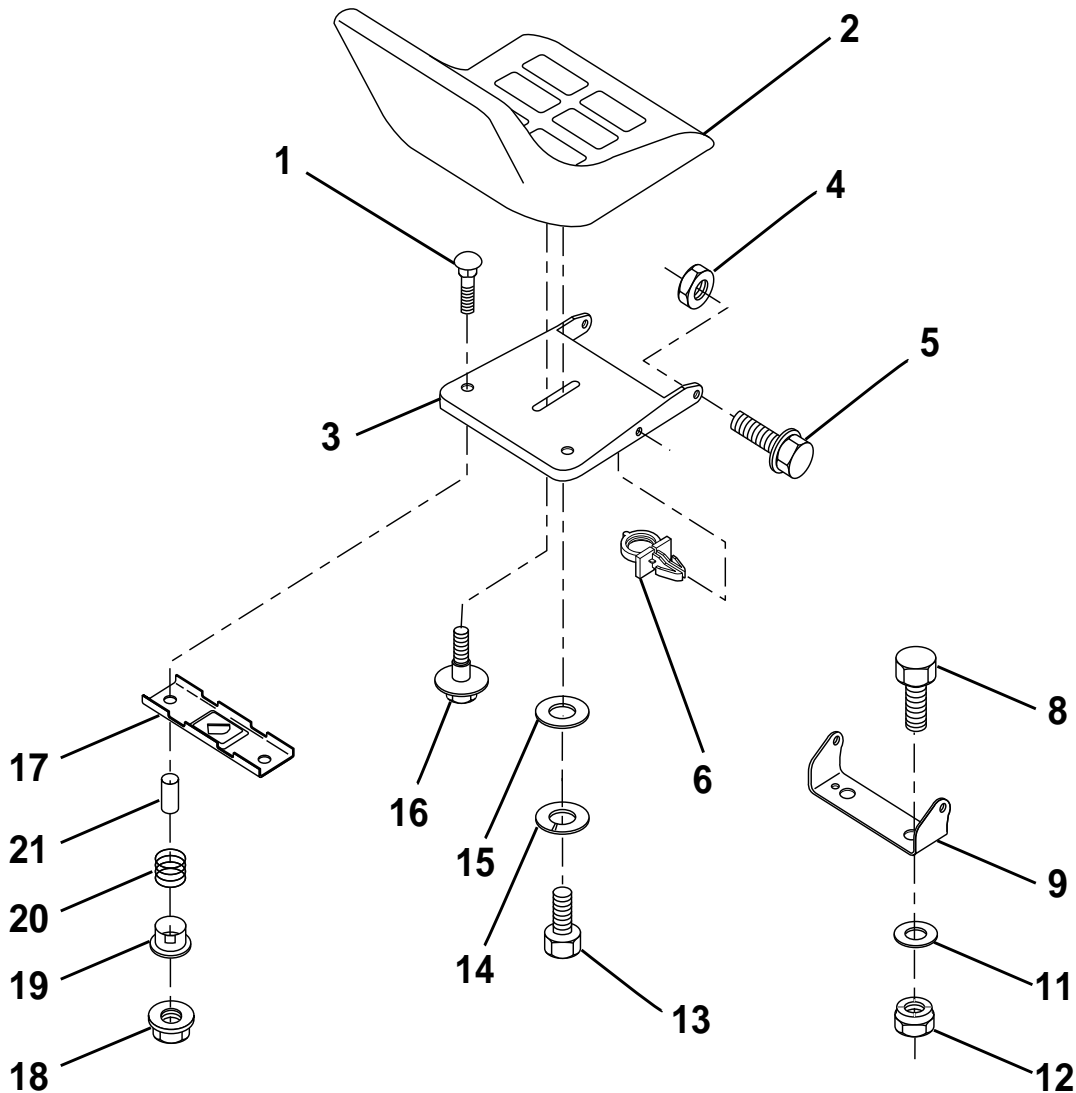


KEY NO.	PART NO.	DESCRIPTION	KEY NO.	PART NO.	DESCRIPTION
1	532156417	Case, Battery	11	532124346	Nut, Self-Threading, Wsher Hd 3/16
2	819132012	Washer 13/32 x 1-1/4 x 12 Ga.	12	532145190	Chassis Asm, Weldment
3	817490612	Screw, Hex Wsh. Thrdrol 3/8-16 x 3/4	15	873640400	Nut, Keps 1/4-20 UNC
4	532124181	Spring, Compression, Seat	16	532141736	Switch Actuator
5	532125431	Plate, Asm. Battery	17	532140782	Drawbar
7	532124144	Pad, Footrest	18	532126470	Clip, Insulated
8	817490512	Screw Thdrol 5/16-18 x 3/4	19	532141650	Fender/Footrest
9	532166683	Console, Shift Control	20	819091413	Washer 9/32 x 7/8 x 13 Ga.
			25	817190516	Scr-Hx Wsh Thd Rol 5/16-18 x 1

HARDWARE SHOWN LARGER FOR EASIER IDENTIFICATION

# REPAIR PARTS

TRACTOR - MODEL NO. LRH13 (J813H36B), PRODUCT NO. 954 13 00-24  
SEAT



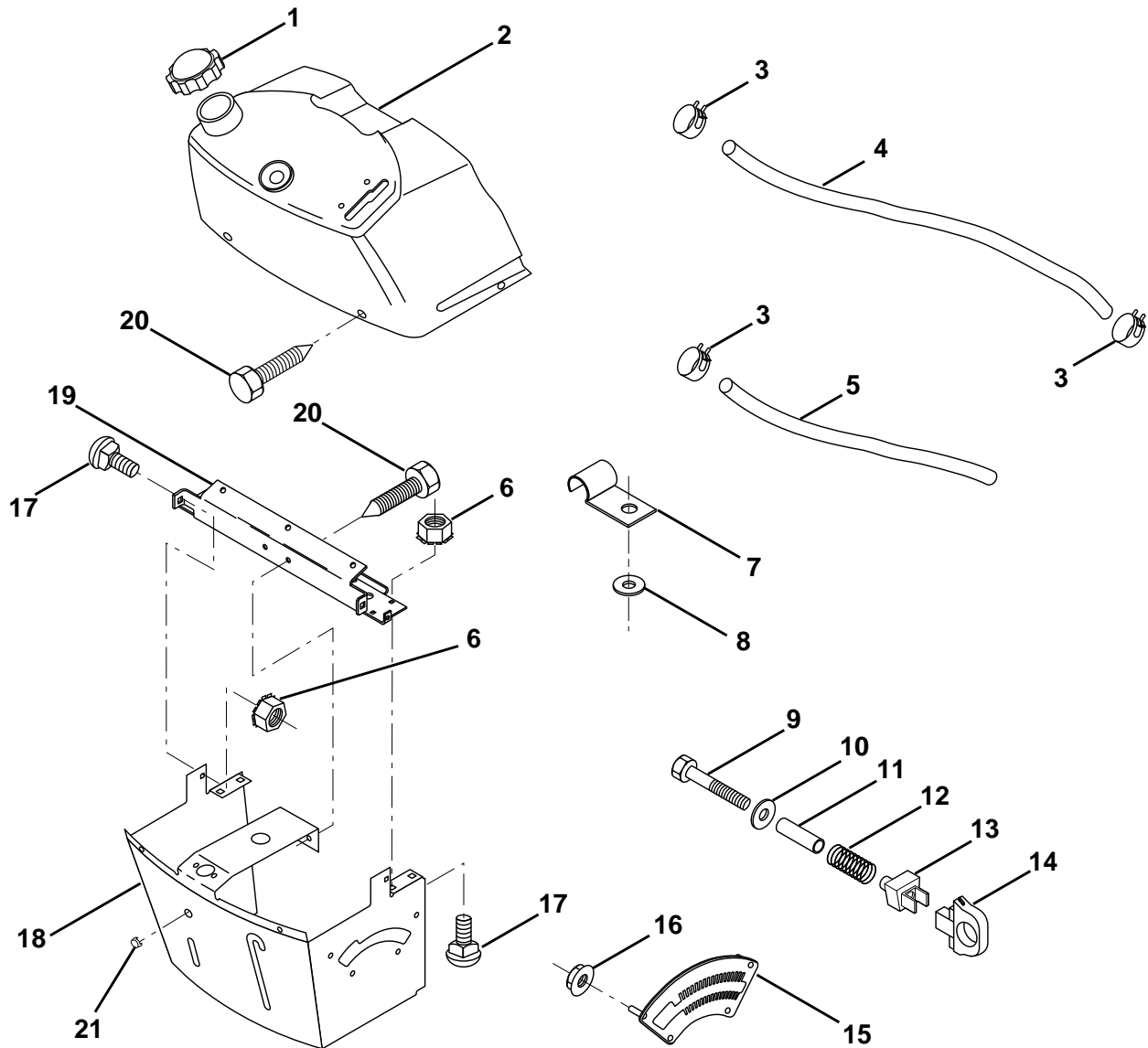
KEY NO.	PART NO.	DESCRIPTION	KEY NO.	PART NO.	DESCRIPTION
1	872050412	Bolt, Carriage 1/4-20 x 1-1/2	12	873800600	Nut, Lock Hex W/Wsh 3/8-16 UNC
2	532140116	Seat	13	874780814	Bolt Hex 1/2-13 x 7/8
3	532155925	Pan, Seat	14	810040800	Washer Lock Hvy. Hlicl Spring 1/2
4	873800500	Nut, Lock Hex W/Ins. 5/16-18	15	819171912	Washer, 17/32 x 1-3/16 x 12 Ga.
5	532153236	Bolt, Shoulder 5/16-18 UNC	16	532127018	Bolt, Shoulder
6	532145006	Clip, Insulated	17	532121246	Bracket, Switch, Mounting
8	874760616	Bolt, Fin Hex 3/8-16 UNC x 1	18	532123976	Nut, Hex Large Flange Lock
9	532140551	Bracket, Pivot Seat	19	532121248	Bushing, Snap
10	532126471	Clip Insulator	20	532121250	Spring, Compression
11	819133210	Washer 12/32 x 2 x 10 Ga.	21	532134300	Spacer, Split 28 Id. x .88 Lg.

HARDWARE SHOWN LARGER FOR EASIER IDENTIFICATION

# REPAIR PARTS

TRACTOR - MODEL NO. LRH13 (J813H36B), PRODUCT NO. 954 13 00-24

DASH

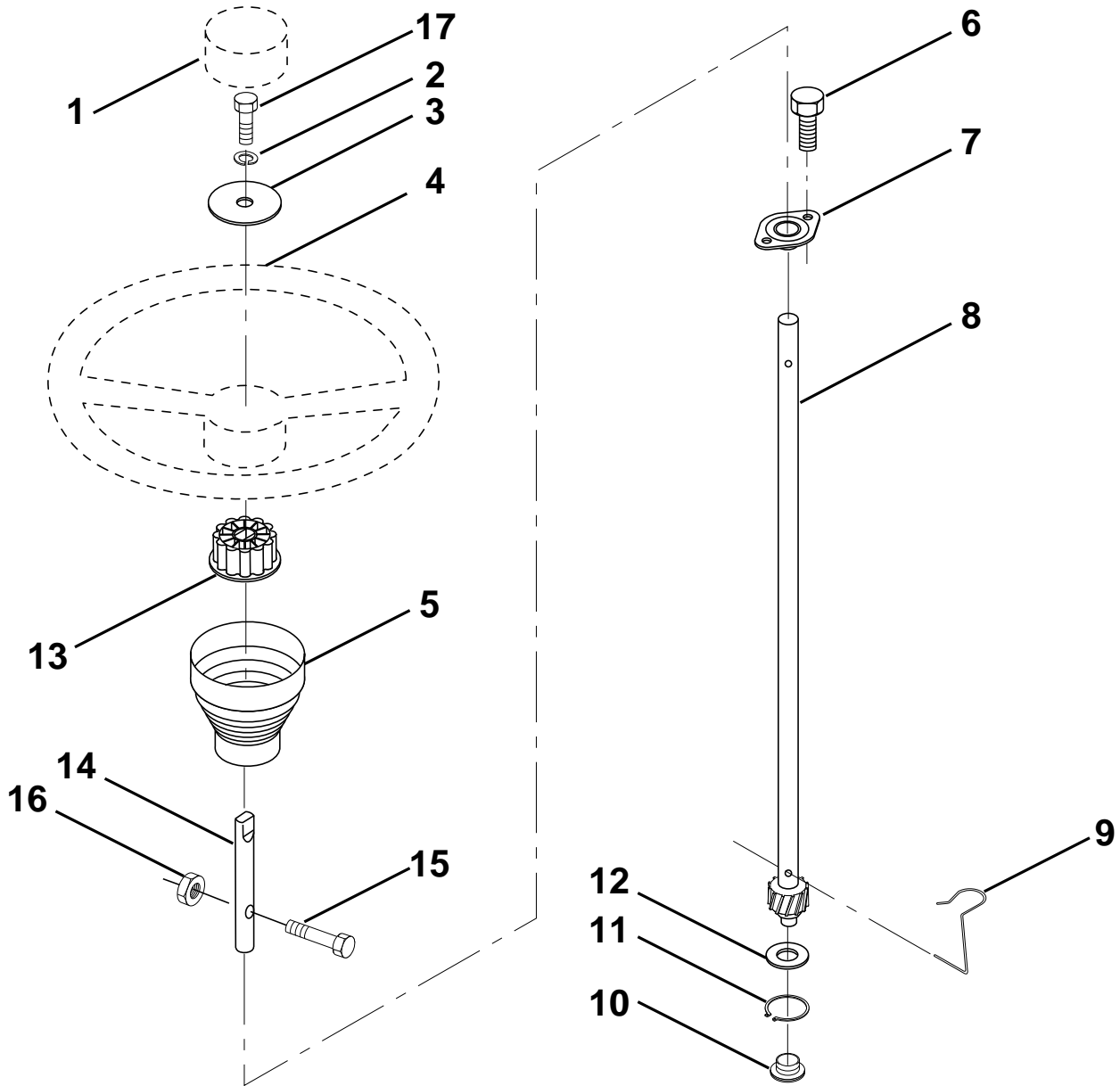


KEY NO.	PART NO.	DESCRIPTION	KEY NO.	PART NO.	DESCRIPTION
1	532141523	Cap, Fuel	12	532003720	Spring
2	532138392	Assembly, Dash & Fuel Tank	13	532126450	Clip, Height Adjustment
3	532123487	Clamp, Hose	14	532126115	Knob, Height Stop
4	532008544	Line, Fuel	15	532122023	Adjustment, Quadrant Height
5	532008548	Line, Fuel	16	532124346	Nut, Self-Threading 3/16-18
6	873640400	Nut, Hex, Keps 1/4-20	17	872110404	Bolt, Carriage 1/4-20 x 1/2 Gr. 5
7	532124996	Clip, Fuel Line	18	532130745	Support Assembly, Dash
8	819091216	Washer 9/32 x 3/4 x 16 Ga.	19	532134744	Brace, Cross
9	874760428	Bolt, Hex, Fin 1/4-20 x 1-3/4	20	817060408	Screw, Self-Tapping 1/4-20 x 1/2
10	819091413	Washer 11/32 x 11/16 x 16 Ga.	21	532134014	Plug Dome Black
11	532121249	Spacer, Split			

HARDWARE SHOWN LARGER FOR EASIER IDENTIFICATION

# REPAIR PARTS

TRACTOR - MODEL NO. LRH13 (J813H36B), PRODUCT NO. 954 13 00-24  
STEERING WHEEL



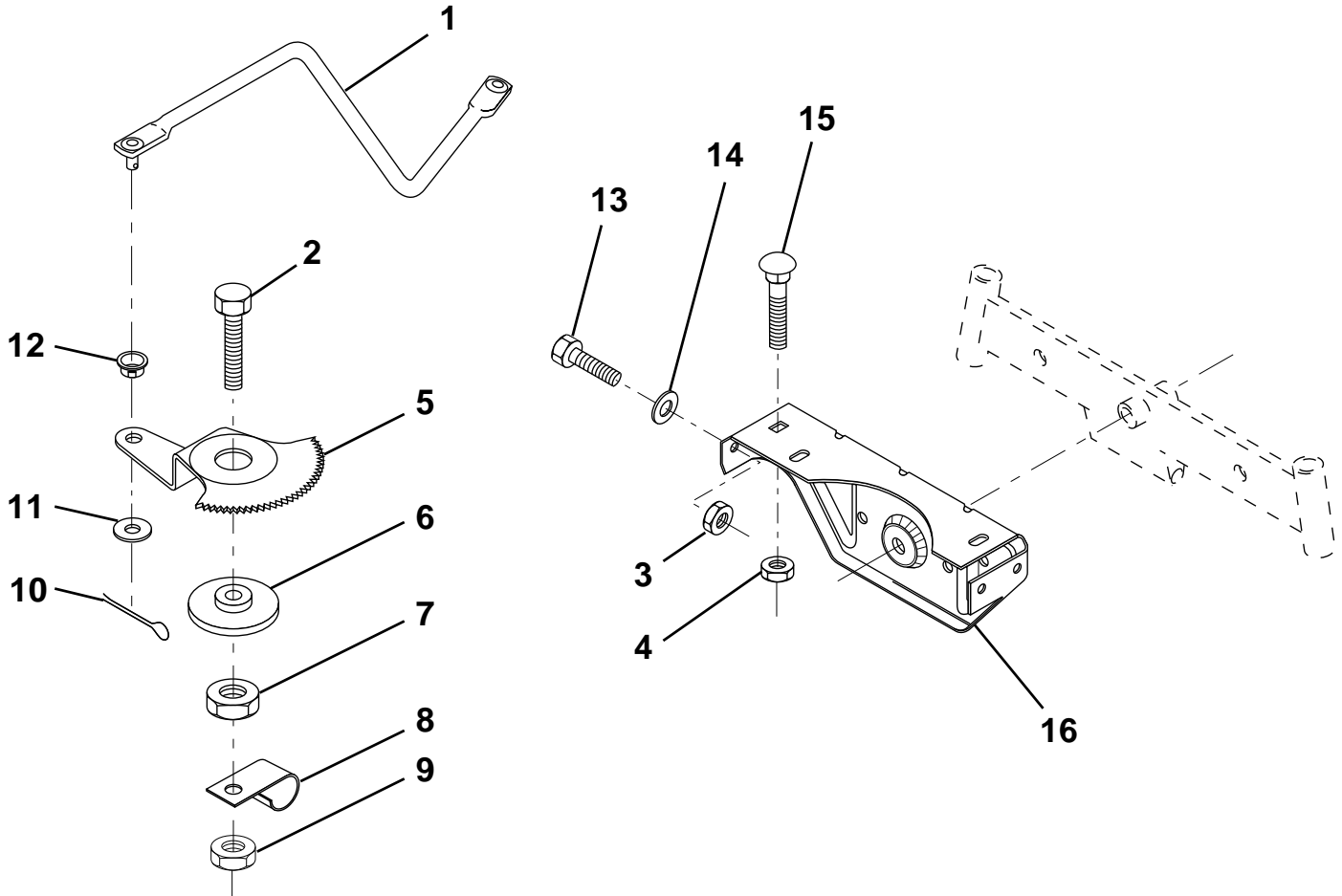
KEY NO.	PART NO.	DESCRIPTION
1	532140045	Insert, Wheel, Steering
2	810040600	Washer, Lock Hvy Hlcl
3	819133808	Washer 12/32 x 2-3/8 x 8 Ga.
4	532140044	Wheel, Steering
5	532121897	Sleeve, Steering
6	532152927	Screw, TT #10-32.5 x 3/8 Flange
7	532155104	Bushing, Steering
8	532147391	Shaft, Steering
9	532124210	Clip, Steering

KEY NO.	PART NO.	DESCRIPTION
10	532123438	Bushing, Lower, Steering
11	812000045	Ring, Retaining
12	819211616	Washer 21/32 x 1 x 16 Ga.
13	532100711	Adaptor, Wheel, Steering
14	532153720	Extension Shaft Steering
15	874780520	Bolt Fin Hex 5/16-18 UNC x 1-1/4
16	873800500	Nut, Lock Hex W/Ins 5/16-18 UNC
17	874780616	Bolt, Fin Hex 3/8-16 UNC x 1

HARDWARE SHOWN LARGER FOR EASIER IDENTIFICATION

# REPAIR PARTS

TRACTOR - MODEL NO. LRH13 (J813H36B), PRODUCT NO. 954 13 00-24  
SECTOR GEAR / AXLE SUPPORT

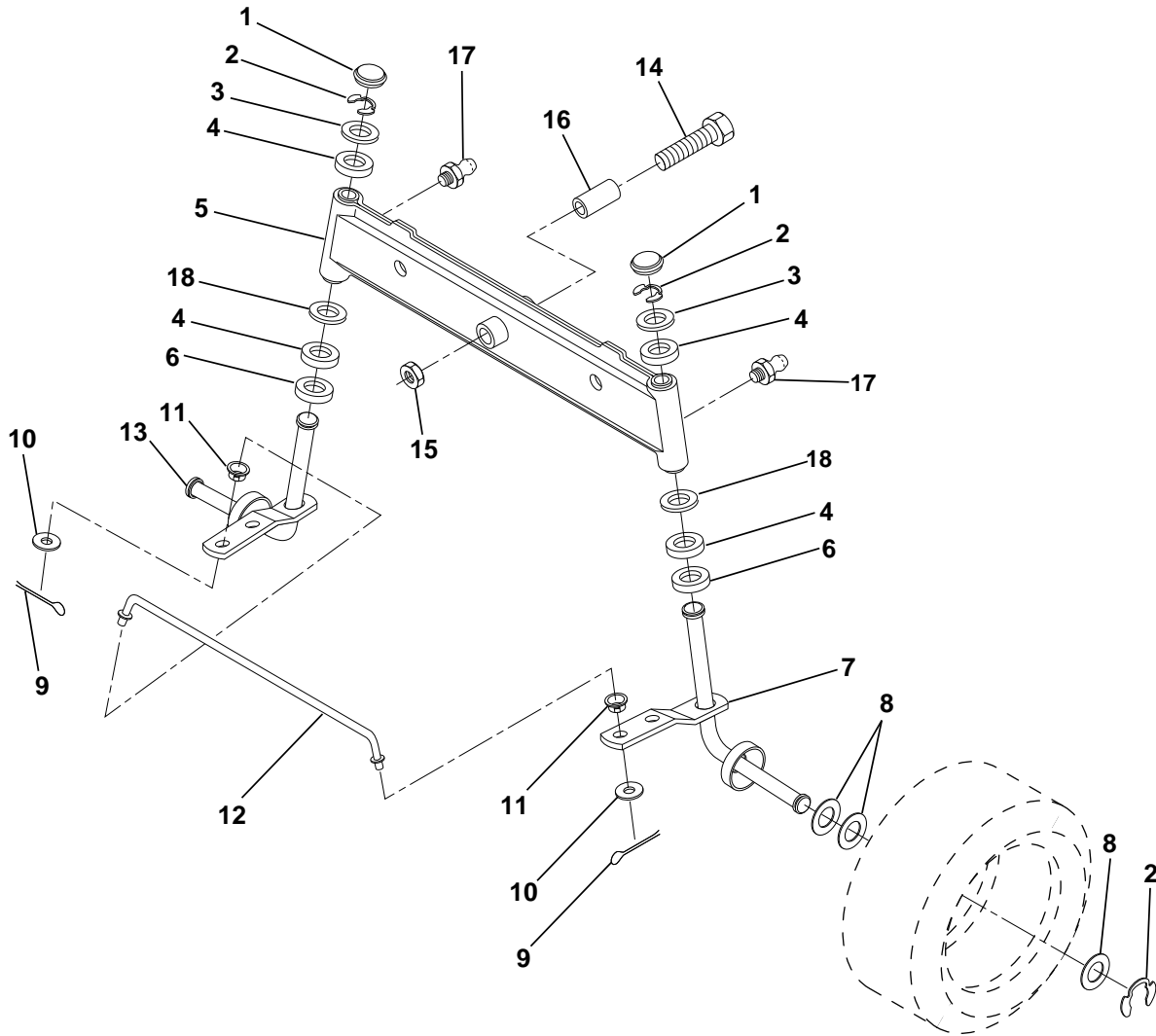


KEY NO.	PART NO.	DESCRIPTION	KEY NO.	PART NO.	DESCRIPTION
1	532132566	Link, Drag	9	873680800	Nut, Crownlock 3/8-16
2	874780828	Bolt, Fin Hex 1/2-13 x 1-3/4	10	876020412	Pin, Cotter 1/8 x 3/4
3	873680500	Nut, Crownlock 5/16-18	11	819131316	Washer, 13/32 x 13/16 x 16 Ga.
4	873680600	Nut, Crownlock 3/8-16	12	532126847	Bushing
5	532121926	Gear, Sector	13	874760512	Bolt, Hex Hd. 5/16-18 UNC x 3/4
6	532121927	Bushing	14	819111416	Washer 11/32 x 7/8 x 16 Ga.
7	873030800	Nut, Heavy Hex Top Lock 1/2-13 UNC	15	872110606	Bolt, Carriage 3/8-16 UNC x 3/4
8	532126472	Clip, Insulated	16	532137096	Support, Front Axle

HARDWARE SHOWN LARGER FOR EASIER IDENTIFICATION

# REPAIR PARTS

TRACTOR - MODEL NO. LRH13 (J813H36B), PRODUCT NO. 954 13 00-24  
FRONT AXLE



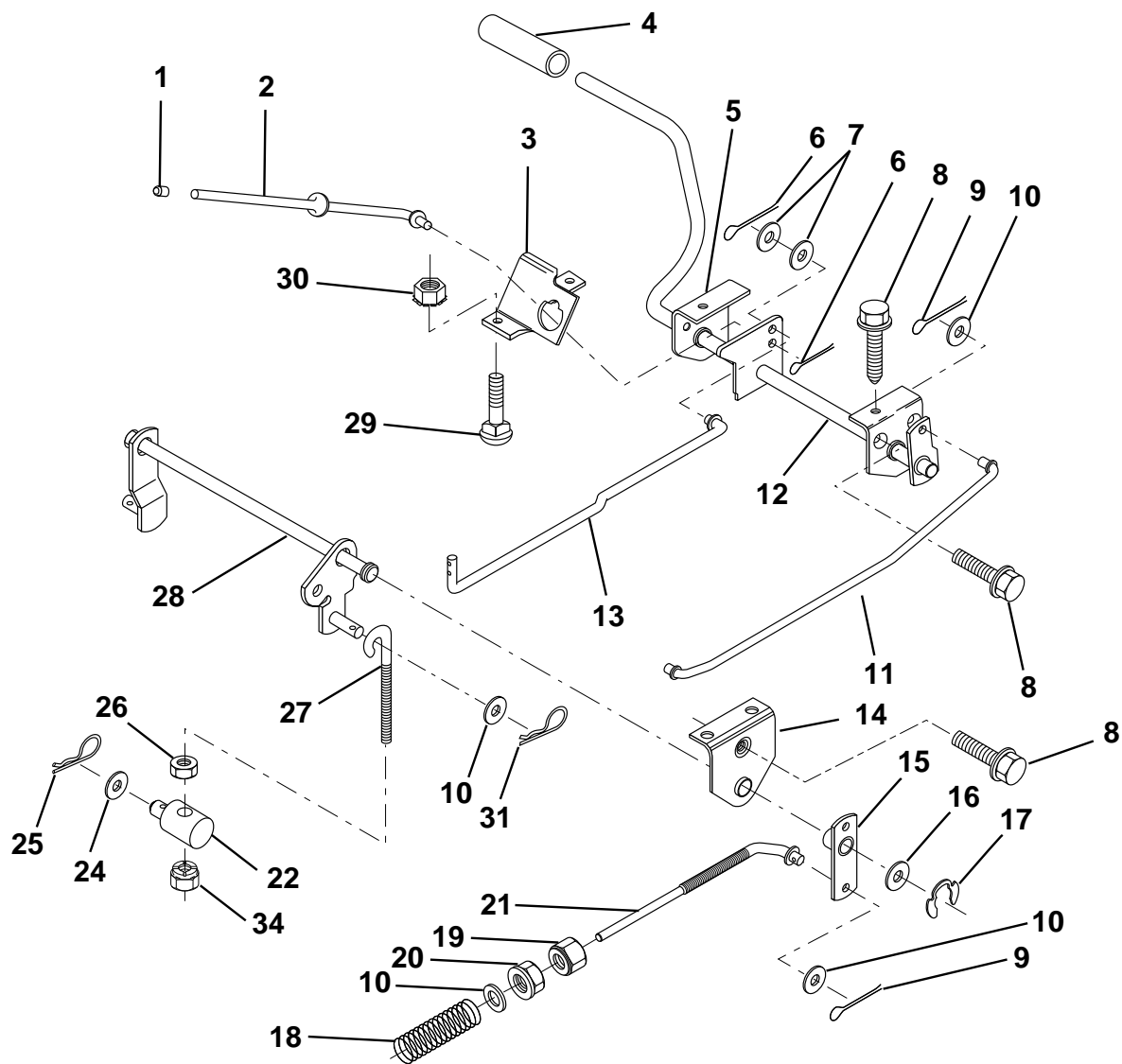
KEY NO.	PART NO.	DESCRIPTION	KEY NO.	PART NO.	DESCRIPTION
1	532121232	Cap, Spindle	10	819131316	Washer 13/32 x 13/16 x 16 Ga.
2	812000029	Ring, Clip	11	532126847	Bushing
3	532121748	Washer 25/32 x 1-5/8 x 16 Ga.	12	532130465	Rod, Tie
4	532124937	Nyliner	13	532161827	Spindle, L.H. Asm.
5	532142033	Axle, Front	14	874011056	Bolt Hex 5/1-11 x 3-1/2
6	532124931	Bearing, Thrust	15	873901000	Nut, Lock Flange 5/8-11
7	532161826	Spindle, R.H. Asm.	16	532110438	Spacer Bearing Axle
8	532121749	Washer 25/32 x 1-1/4 x 16 Ga.	17	532124836	Fitting Grease
9	876020412	Pin, Cotter 1/8 x 3/4	18	819272016	Washer 27/32 x 1-1/4 x 16 Ga.

**HARDWARE SHOWN LARGER FOR EASIER IDENTIFICATION**



# REPAIR PARTS

## TRACTOR - MODEL NO. LRH13 (J813H36B), PRODUCT NO. 954 13 00-24 BRAKE / REAR MOWER LIFT ASSEMBLY

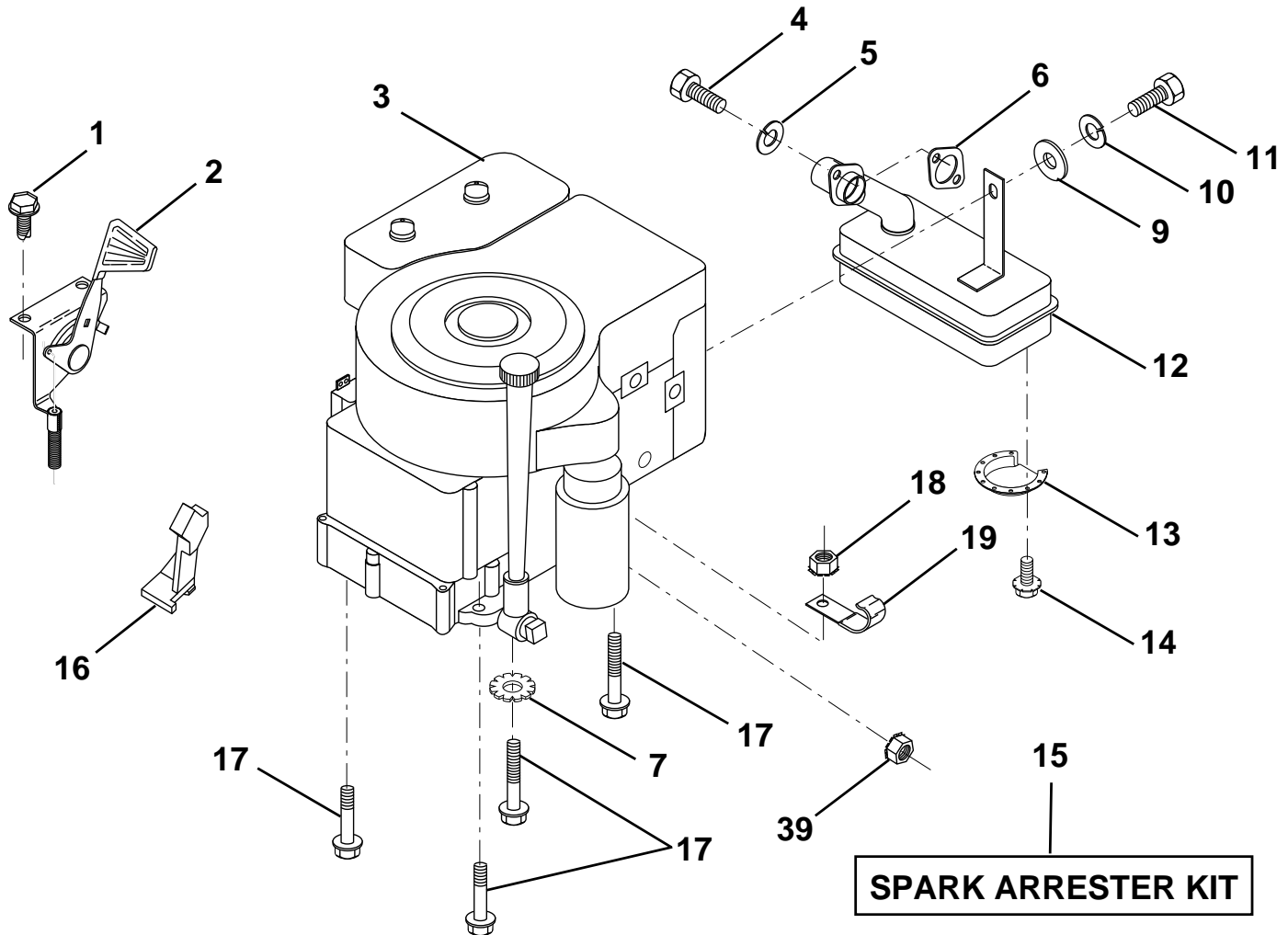


KEY NO.	PART NO.	DESCRIPTION	KEY NO.	PART NO.	DESCRIPTION
1	532071673	Cap, Plunger	16	819251816	Washer 25/32 x 1-1/8 x 16 Ga.
2	532123436	Rod, Parking Brake	17	812000034	Ring, Klip
3	532123437	Bracket, Parking Brake	18	532151332	Spring, Brake Rod
4	532124872	Cover, Pedal	19	873350600	Nut, Hex, Jam 3/8-16 UNC
5	532122504	Bracket, Clutch/Brake Pedal, L.H.	20	873800600	Nut, Lock Hex W/Ins 3/8-16 UNC
6	876020312	Pin, Cotter 3/32 x 3/4	21	532144413	Rod, Rear Brake
7	819131016	Washer 13/32 x 5/8 x 16 Ga.	22	532144585	Trunnion, Lift
8	817490508	Screw, Hex, Thd. Roll. 5/16-18 x 1/2	24	819132012	Washer 13/32 x 1-1/4 x 12 Ga.
9	876020412	Pin, Cotter 1/8 x 3/4	25	532124961	Spring, Retainer
10	819131316	Washer 13/32 x 13/16 x 16 Ga.	26	873930600	Nut, Centerlock 3/8-16 UNC
11	532123543	Rod, Brake Front	27	532127369	Link, Threaded
12	532139933	Assembly, Clutch/Brake Pedal	28	532140776	Assembly, Rear Mower Lift
13	532123394	Rod, Clutch	29	872110506	Bolt, Carriage 5/16-18 UNC x 3/4
14	532121978	Bracket, Lift, Shaft	30	873510500	Nut, Keps 5/16-16 UNC
15	532133332	Assembly, Brake, Pivot, Arm	31	532124660	Retainer, Spring
			34	873680600	Nut, Crownlock 3/8-16

HARDWARE SHOWN LARGER FOR EASIER IDENTIFICATION

# REPAIR PARTS

TRACTOR - MODEL NO. LRH13 (J813H36B), PRODUCT NO. 954 13 00-24  
ENGINE

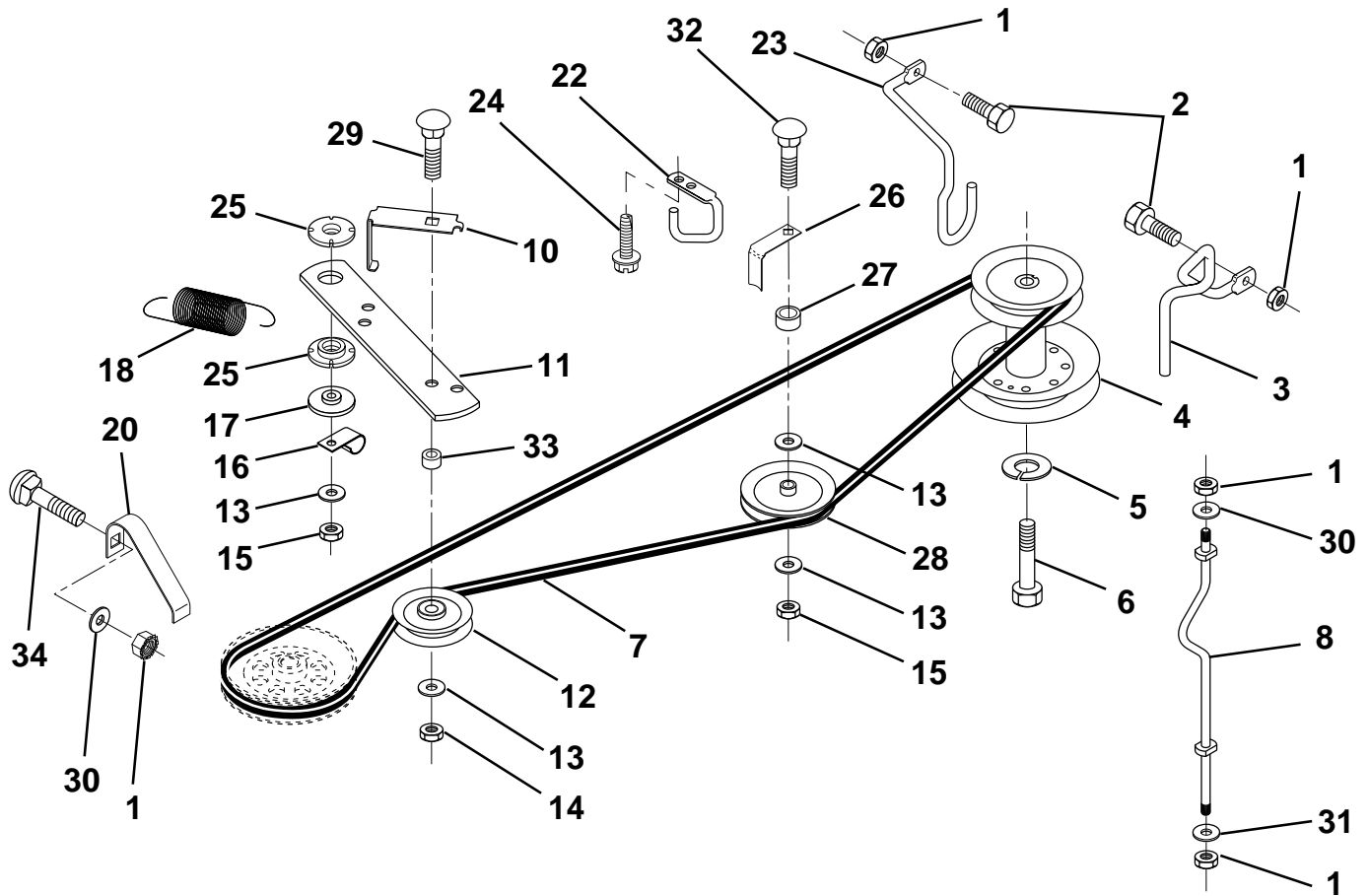


KEY NO.	PART NO.	DESCRIPTION	KEY NO.	PART NO.	DESCRIPTION
1	817060408	Screw, Hex Thd. Cut 1/4-20 x 1/2	11	-----	Bolt (Order from Eng. Mfg.)
2	531013131	Control, Throttle	12	532137437	Muffler
3	-----	Engine (See Breakdown) Briggs Model 289707	13	532101326	Deflector, Muffler
4	871070512	Screw, Hex, Cap 5/16-18 x 3/4	14	817030808	Screw, Spiderloc
5	810040500	Washer, Lock Heavy Helical Spring 5/16	15	532137180	Arrester, Spark (Optional equipment)
6	532165291	Gasket, Exhaust	16	532127951	Stop, Throttle
7	811050600	Washer Lock Ext. Tooth 3/8	17	817490624	Screw, Hex Washer Head, Thdrol. 3/8-16 x 1-1/2
9	819101216	Washer 5/16 x 3/4 x 16	18	873510600	Nut Keps Hex 3/8-16
10	810040400	Washer, Lock Hvy Hlcl Spring 1/4	19	532124996	Clip Line Fuel
			39	532128861	Nut Flange 1/4-20

HARDWARE SHOWN LARGER FOR EASIER IDENTIFICATION

# REPAIR PARTS

TRACTOR - MODEL NO. LRH13 (J813H36B), PRODUCT NO. 954 13 00-24  
GROUND DRIVE



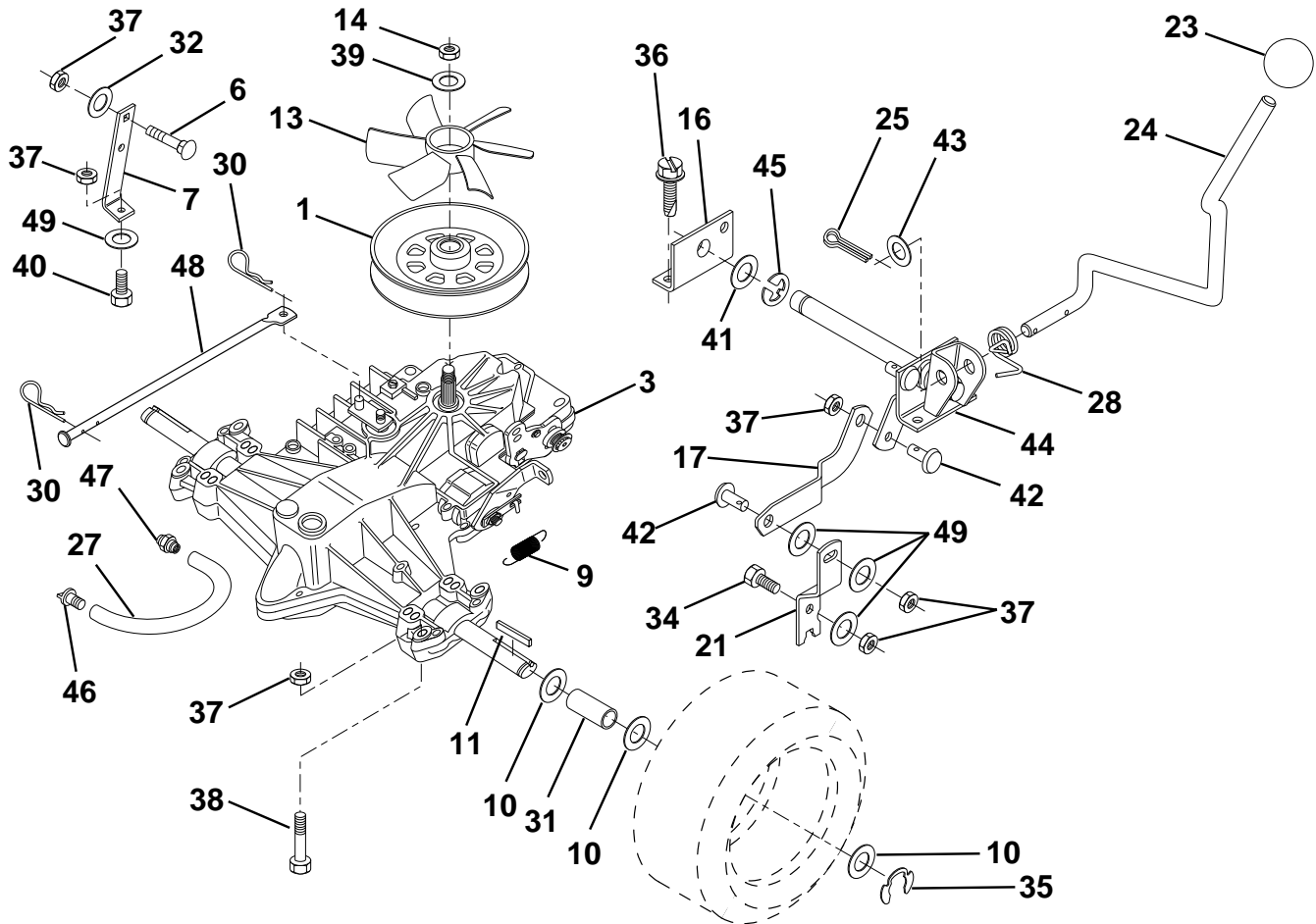
KEY NO.	PART NO.	DESCRIPTION	KEY NO.	PART NO.	DESCRIPTION
1	873800500	Nut, Lock Hx w/Ins 5/16-18	17	532150932	Spacer, Retainer
2	874760512	Bolt, Hex Head 5/16-18 x 3/4	18	532131459	Spring, Extension
3	532141297	Keeper, Belt RH Front	20	532140909	Keeper, Belt LH
4	532138029	Pulley, Engine	22	532123404	Keeper Frame Ground Drive Belt
5	810040700	Washer, Lock 7/16	23	532140916	Keeper, Belt LH Front
6	871170744	Bolt, Hex 7/16-20 Gr. 5	24	817720408	Screw, Thd. Cut 1/4-20 x 1/2
7	531013132	V-Belt	25	532150935	Bushing, Nylon
8	532140785	Keeper, Belt RH	26	532140913	Keeper, Belt
10	532140780	Keeper, Belt, Idler Pulley	27	532140914	Spacer
11	532150926	Arm, Idler	28	532139123	Pulley, V-Idler
12	532123674	Idler, Flat	29	872140618	Bolt, Carriage 3/8-16 x 2-1/4
13	819131316	Washer 13/32 x 13/16 x 16 Gauge	30	819111116	Washer
14	873930600	Nut, Centerlock 3/8-16	31	819111216	Washer
15	873680600	Nut, Crownlock 3/8-16	32	872140620	Carriage Bolt
16	532126471	Clip Insulator	33	532000160	Spacer
			34	872140506	Carriage Bolt

HARDWARE SHOWN LARGER FOR EASIER IDENTIFICATION

# REPAIR PARTS

TRACTOR - MODEL NO. LRH13 (J813H36B), PRODUCT NO. 954 13 00-24

## TRANSAXLE



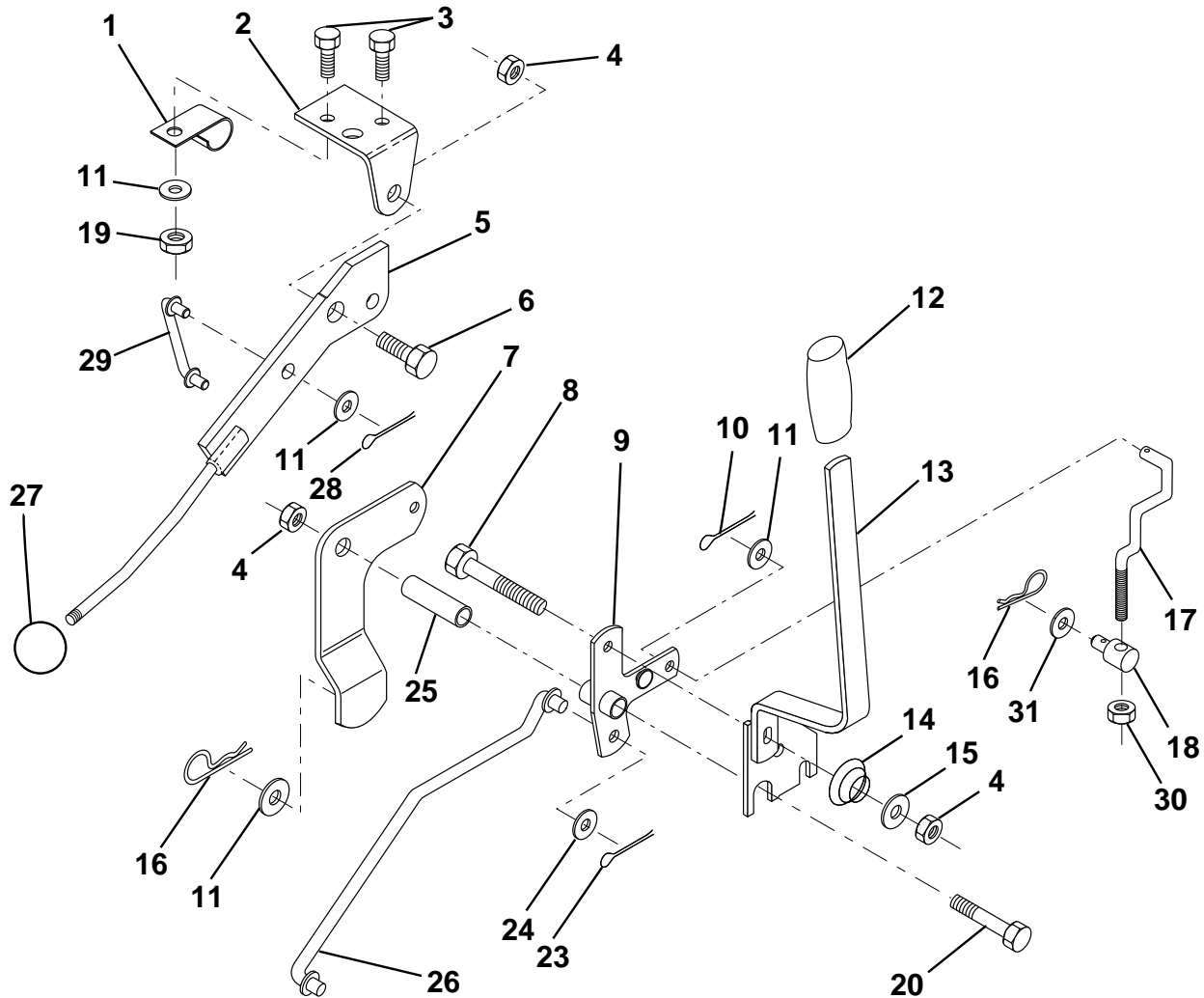
KEY NO.	PART NO.	DESCRIPTION
1	532140779	Pulley
3	-----	Transaxle, Hydro 0319-0500
6	872140506	Bolt, Carriage
7	532140774	Strap, Torque
9	532146682	Spring Brake
10	532121749	Washer 25/32 x 1-1/4 x 16 Gauge
11	532123583	Key, Square
13	532140778	Fan, Transaxle, Hydro
14	873750800	Nut Lock
16	532140763	Support, Shift Handle
17	532140767	Link, Shift
21	532140773	Lever, Shift
23	532130564	Knob, Shifter
24	532140765	Rod, Shifter
25	876020416	Pin, Cotter
27	532142564	Hose, Vent
28	532140772	Spring, Torsion
30	532124788	Retainer Spring

KEY NO.	PART NO.	DESCRIPTION
31	532121199	Spacer
32	819111116	Washer
34	874760516	Bolt Hex Hd 5/16 - 18 x 1
35	812000001	E-Ring
36	817720408	Screw, Thd. Cut 1/4-20 x 1/2
37	873800500	Nut
38	874490540	Bolt, Hex Flghd 5/16-18
39	819171912	Washer
40	874760524	Bolt
41	819212013	Washer
42	532140769	Pivot Pin
43	819171216	Washer
44	532156047	Pivot Shaft Assembly
45	812000002	E-Ring
46	<a href="#">532142917</a>	Cap, Vent Hose
47	<a href="#">532142918</a>	Nipple, Vent Hose
48	532140912	Actuator, Bypass, Hydro
49	819111216	Washer

HARDWARE SHOWN LARGER FOR EASIER IDENTIFICATION

# REPAIR PARTS

TRACTOR - MODEL NO. LRH13 (J813H36B), PRODUCT NO. 954 13 00-24  
MOWER LIFT LEVER

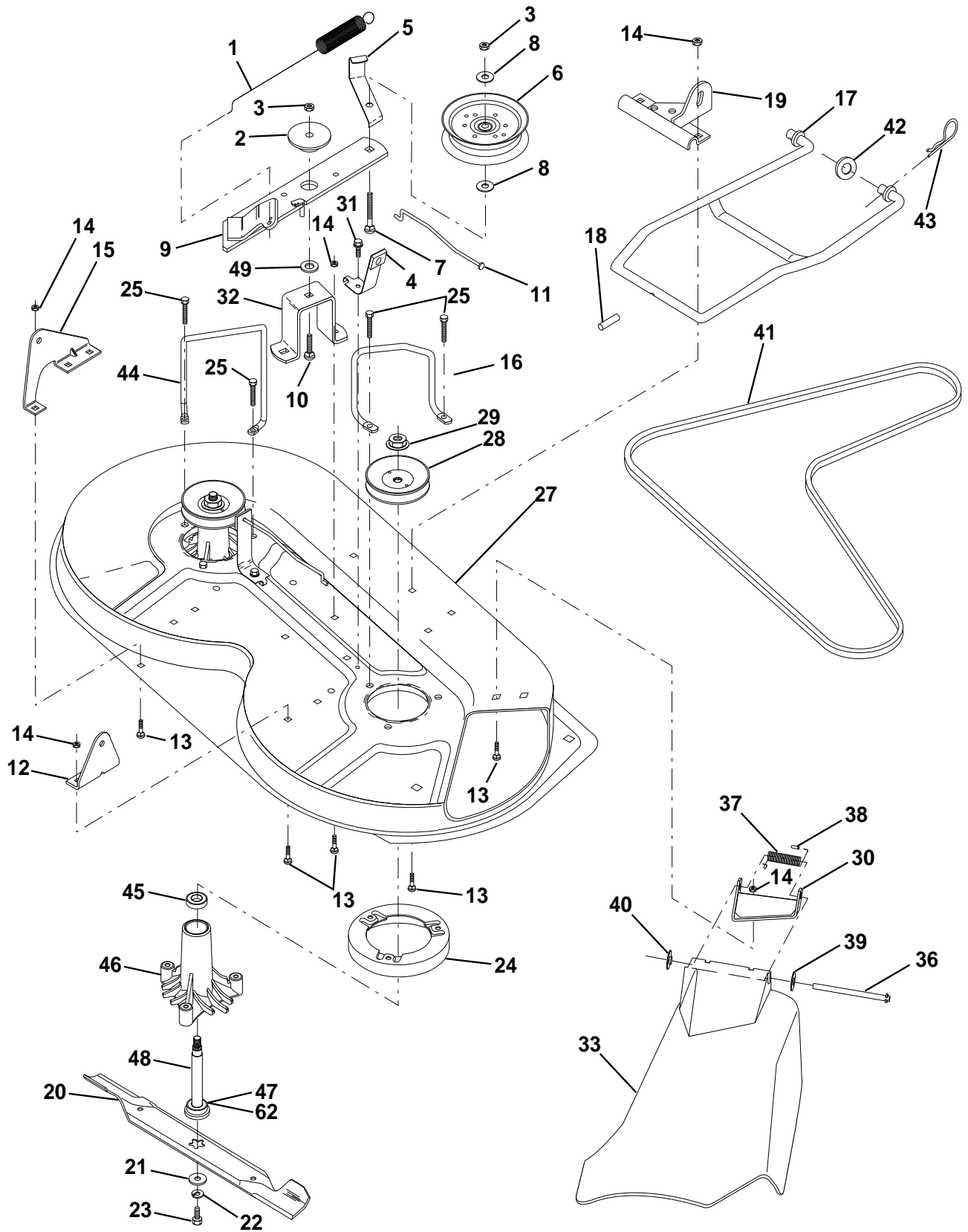


KEY NO.	PART NO.	DESCRIPTION	KEY NO.	PART NO.	DESCRIPTION
1	532126470	Clip, Insulated	17	532127359	Link, Front Lift
2	532122018	Bracket, Mower Clutch	18	532142028	Trunnion, Threaded 3/8-16
3	871110408	Bolt, Fin. Hex 1/4-20 UNC x 1/2	19	873680400	Nut, Crownlock 1/4-20
4	873680600	Nut, Crownlock 3/8-16 UNC	20	874760644	Bolt, Fin. Hex 3/8-16 UNC x 2-3/4
5	532145187	Assembly, Clutch Lever	23	876020416	Pin, Cotter 1/8 x 1
6	532106451	Bolt, Shoulder	24	819171612	Washer 17/32 x 1 x 12 Ga.
7	532135371	Assembly, Mower Clutch Arm	25	532121933	Tube, Spacer
8	874760636	Bolt, Hex 3/8-16 UNC x 2-1/4	26	532141470	Rod, Mower Lift
9	532121930	Assembly, Bellcrank Lift	27	532121466	Knob
10	876020412	Pin, Cotter 1/8 x 3/4	28	876020312	Pin, Cotter 3/32 x 3/4
11	819131316	Washer 13/32 x 13/16 x 16 Ga.	29	532131655	Link, Mower Clutch
12	532122027	Grip, Handle	30	873350600	Nut Hex Jam 3/8-16 x 1.30
13	532139352	Assembly, Lift Handle	31	819132012	Washer 13/32 x 1-1/4 x 12 Ga.
14	532123496	Spring, Compression			
15	819131212	Washer 13/32 x 3/4 x 12 Ga.			
16	532124961	Retainer, Spring			

HARDWARE SHOWN LARGER FOR EASIER IDENTIFICATION

# REPAIR PARTS

TRACTOR - MODEL NO. LRH13 (J813H36B), PRODUCT NO. 954 13 00-24  
MOWER DECK



# REPAIR PARTS

TRACTOR - MODEL NO. LRH13 (J813H36B), PRODUCT NO. 954 13 00-24

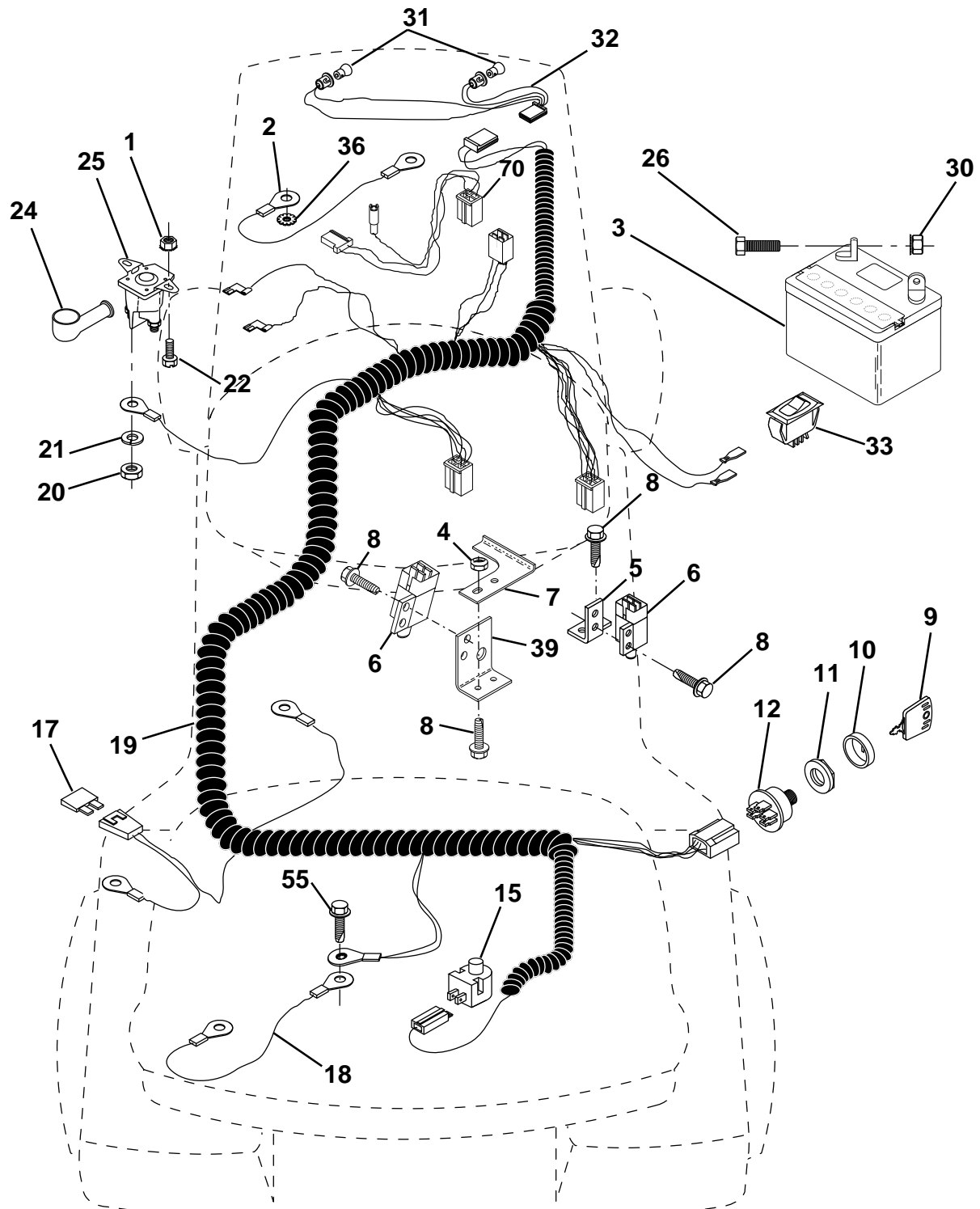
## MOWER DECK

KEY NO.	PART NO.	DESCRIPTION
1	532140064	Spring, Mower Clutch
2	532122052	Spacer, Retainer
3	873680600	Nut, Crownlock 3/8-16
4	532130840	Brake Asm.
5	532131251	Guide, Belt Idler
6	532121316	Pulley, Flat Idler
7	872110616	Bolt, Carr. 3/8-16 x 1-3/4 Gr. 5
8	819131410	Washer 13/21 x 7/8 x 10 Ga.
9	532127744	Arm Asm., Idler Mower
10	872140610	Bolt, Carriage 3/8-16 x 1
11	532130841	Rod, Brake
12	532127356	Bracket, Lift R. H. Rear
13	872140506	Bolt, Carriage 5/16-18 x 3/4
14	873680500	Nut, Crownlock 5/16-18
15	532127357	Bracket, Lift L. H. Rear
16	532153298	Keeper, R. H.
17	532128508	Link, Asm. Mower Stabilizer
18	532128511	Pin, Drive
19	532127380	Bracket, Asm. Front
20	531013126	Blade, High Performance
21	532140296	Washer, Hard
22	810030600	Washer, Lock 3/8
23	532850857	Bolt 3/8-24 x 1-1/4 Gr. 8
24	532140329	Stripper
25	532157722	Screw Thdrol Wsh Hd
27	532156600	Deck Assembly
28	532153531	Pulley, Mandrel
29	532137266	Nut, Flangelock 9/16
30	532136631	Bracket, Asm. Deflector
31	817490508	Screw, Hex Wsh. Thdrol. 5/16-18 x 1/2
32	532122051	Arm, Support Idler Mower
33	532131560	Deflector
36	532121980	Rod, Hinge
37	532123713	Spring, Torsion Deflector
38	532105304	Cap, Sleeve
39	819111016	Washer 11/32 x 5/8 x 16 Ga.
40	532110452	Pushnut
41	531013133	V-Belt
42	819171616	Washer 11/32 x 5/8 16 Ga.
43	532124660	Retainer, Spring
44	532140608	Keeper, L. H.
45	532110485	Bearing
46	532128774	Housing Mandrel Vented
47	532129895	Bearing
48	532137645	Shaft, Mandrel (Includes Key # 47)
49	532133943	Washer Hardened
62	532153390	Washer, Felt
--	532130794	Mandrel Asm. (Includes Key No.'s 22-23, 26, 29 and 45-48)
--	532156866	Deck, Mower Complete (Std. Deck - Order CE certification components separately, Kit No. EC36)

HARDWARE SHOWN LARGER FOR EASIER IDENTIFICATION

# REPAIR PARTS

TRACTOR - MODEL NO. LRH13 (J813H36B), PRODUCT NO. 954 13 00-24  
ELECTRICAL





# REPAIR PARTS

TRACTOR - MODEL NO. LRH13 (J813H36B), PRODUCT NO. 954 13 00-24  
ELECTRICAL

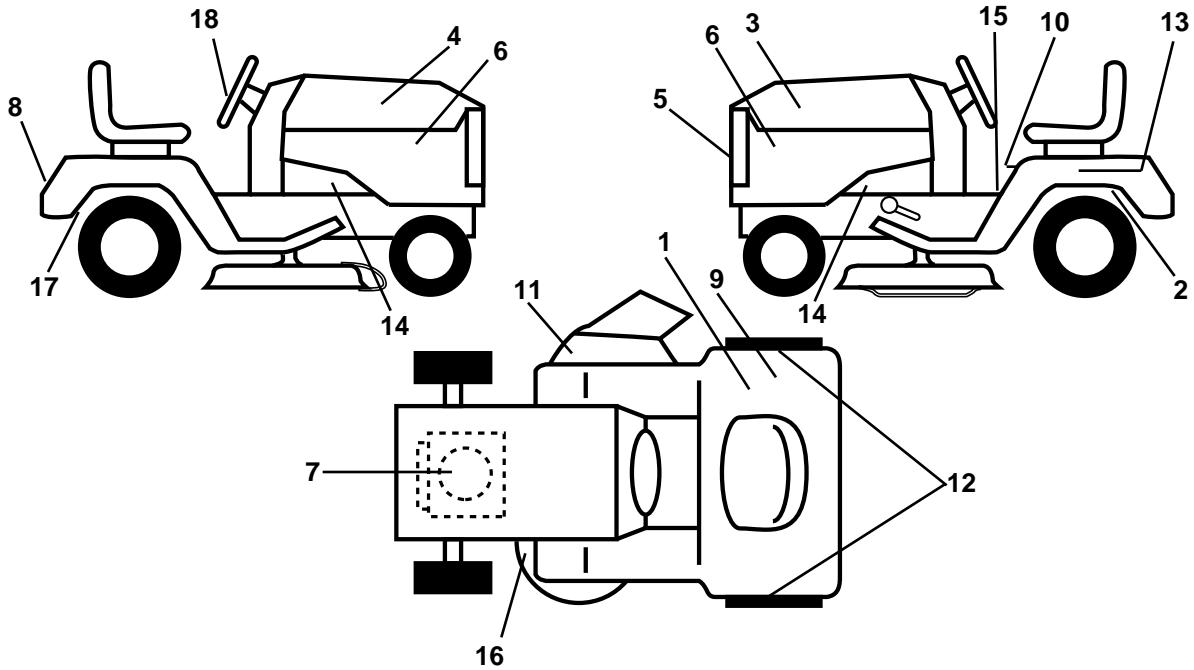
KEY NO.	PART NO.	DESCRIPTION
1	873640400	Nut, Hex Keps 1/4-20
2	532108423	Assembly, Cable
3	532144924	Battery
4	532069180	Nut, Lock #10-24 UNC
5	532108236	Bracket, Switch
6	532109553	Switch, Interlock (4-terminal)
7	532146374	Keeper Actuator
8	817021008	Screw, Hex Hd. Tap #10-24 x 1/2
9	532140401	Key, Molded
10	532141226	Cover, Key Ignition
11	532140400	Nut, Ignition
12	532163088	Switch, Ignition
15	532121305	Switch, Plunger
17	532108824	Fuse
18	532128353	Assembly, Cable
19	532146064	Harness, Ignition
20	873350400	Nut, Hex Jam 1/4-20
21	810090400	Washer, Lock 1/4
22	871110408	Bolt, Fin. Hex 1/4-20 UNC x 1/2
24	532131563	Cover, Terminal
25	532145673	Solenoid
26	874760412	Bolt, Hex Hd. 1/4-20 UNC x 3/4
30	873510400	Nut, Keps Hex 1/4-20 UNC
31	532004152	Bulb, Light
32	532136850	Harness, Headlight
33	532110712	Switch, Light
36	811150400	Washer Lock Inter. Tooth 1/4
39	532141735	Bracket Switch Clutch
55	817490508	Screw Thdrol 5/16-18 x 1/2
70	532140413	Harness Engine

HARDWARE SHOWN LARGER FOR EASIER IDENTIFICATION

# REPAIR PARTS

TRACTOR - MODEL NO. LRH13 (J813H36B), PRODUCT NO. 954 13 00-24

## DECALS



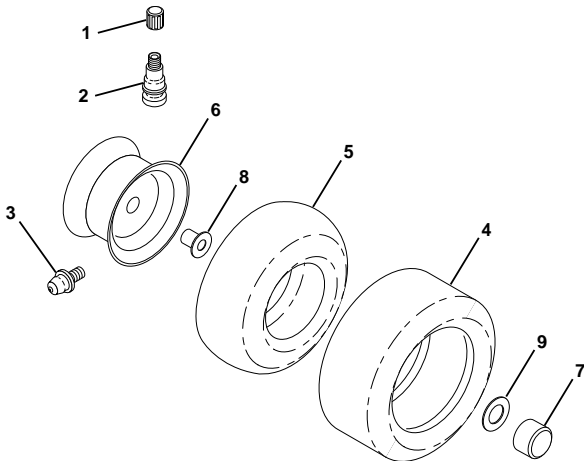
KEY NO.	PART NO.	DESCRIPTION
1	532145437*	Decal, Europ. Stand.. CE Tractors
2	532141484*	Decal, Bypass
3	532152242	Decal, Hood, L. H.
4	532152241	Decal, Hood, R. H.
5	532141116*	Decal, Logo, Grill
6	532162927*	Decal, Hood Insert
7	532165313*	Decal, Engine
8	532141761*	Decal, Logo, Fender
9	532126187*	Decal, Certification, (French/Dutch)
10	532145498*	Decal, Read Owner's Manual Sym.
11	532145494*	Decal, Cutfinger

KEY NO.	PART NO.	DESCRIPTION
12	532150652*	Decal, Fender Automatic
13	532145005*	Decal, Caution, Battery
14	532159736*	Decal, Chassis Hot Muffler
15	532159739*	Decal, Brake/Clutch Sym
16	532136830*	Decal, V-Belt Sch.
17	532162598*	Decal, Drawbar Load Limit
18	532152252*	Decal, Steering Wheel Insert
--	532138311*	Decal, Height, Adj.
--	532157246	Manual, Operator's Euro
--	532157247	Manual, Operator's Scan
--	532166539	Manual, Parts

Accessories not included with tractor

- MK360 Mulch Kit
- CE36 Bagger

## WHEELS & TIRES



KEY NO.	PART NO.	DESCRIPTION
1	532059192	Cap, Valve
2	532065139	Stem, Valve
3	532124957	Fitting, Grease\ (Front Wheels Only)
4	532137422	Tire, Front
4	532132703	Tire, Rear
5	532059904	Tube, Front (Optional Service Items Only)
5	532008134	Tube, Rear (Optional Service Items Only)
6	532142039	Rim, Front
6	532141652	Rim, Rear
7	532104757	Cap Axle
8	532124959	Bearing Flange
9	532121748	Washer 25/32 x 1-5/8 x 16 Ga.
--	532144334	Sealant, Tire (10 oz. Tube)