



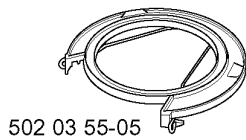
SPARE PARTS LIST

BRUSHCUTTERS/CLEARING SAWS

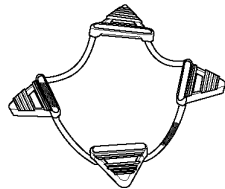
GR2036, 2000-10

P Accessories
 Zubehöre
 Accessoires
 Accesorios
 Tillbehör

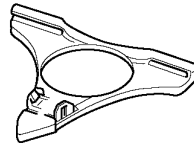
compl 503 73 63-07
 compl 503 73 63-08 (USA)



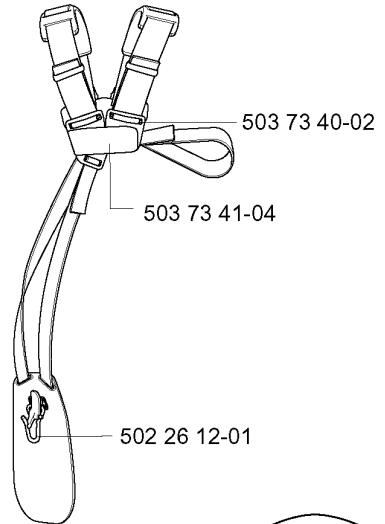
502 03 55-05



502 03 55-02



502 26 23-01



503 73 40-02

503 73 41-04

502 26 12-01

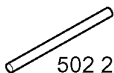
*compl 502 21 60-01



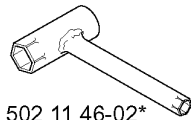
502 21 58-01*



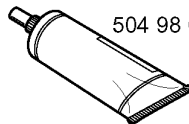
501 60 02-03*



502 28 59-01*

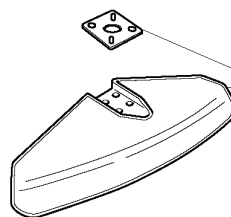
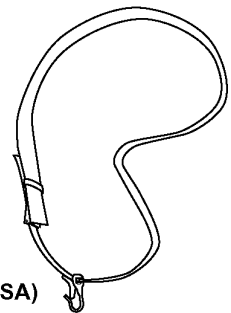


502 11 46-02*



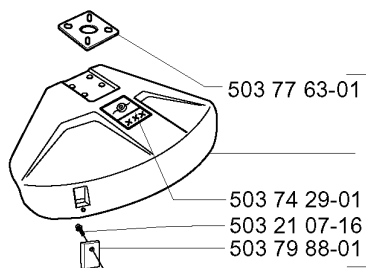
504 98 00-20

503 74 16-01
 503 74 16-02 (USA)



503 77 63-01

503 74 40-03
 503 74 40-03 (275 mm)
 503 89 52-03 (300 mm)(GR 2036)



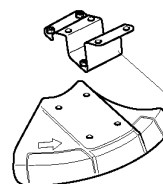
503 77 63-01

503 74 29-01

503 21 07-16

503 79 88-01

503 74 50-03



503 72 49-01

503 77 39-01

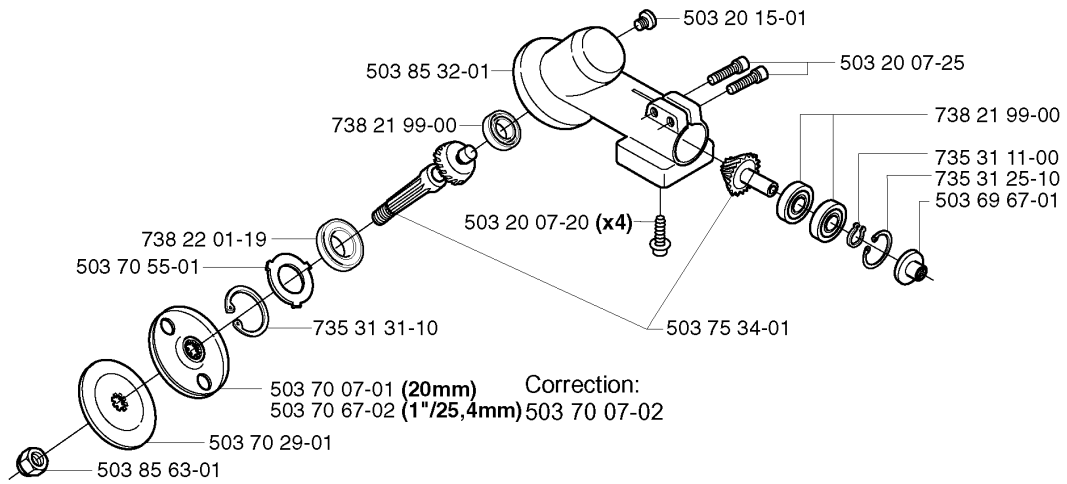
ACCESSORIES

GR2036, 2000-10

Part No	Description	Remark	QTY KIT
501 60 02-03	SCREWDRIVER		1
502 03 55-02	TRANSPORTSKYDD KPL		1
502 03 55-05	TRANSPORT GUARD		1
502 11 46-02	SOCKET WRENCH		1
502 21 58-01	L-NYCKEL		1
502 21 60-01	ACCESSORY BAG		1
502 26 12-01	WELT HOOK		1
502 26 23-01	TRANSPORT GUARD		1
502 28 59-01	STOP		1
503 21 07-16	SCREW IHSCT		1
503 72 49-01	ADAPTER		1
503 73 40-02	FRONT PIECE		1
503 73 41-04	FRONT PIECE		1
503 73 63-07	HARNESS ASSY		1
503 73 63-08	HARNESS ASSY	USA	1
503 74 16-01	HARNESS ASSY		1
503 74 16-02	HARNESS ASSY	USA	1
503 74 29-01	DECAL		1
503 74 40-03	BLADE GUARD		1
503 74 40-03	BLADE GUARD	275 MM	1
503 74 50-03	TRIMMER GUARD		1
503 77 39-01	SAW BLADE GUARD		1
503 77 63-01	BASEPLATE		1
503 77 63-01	BASEPLATE		1
503 79 88-01	BLADE		1
503 89 52-03	BLADE GUARD	(300 MM)(GR 2036)	1
504 98 00-20	GREASE		1

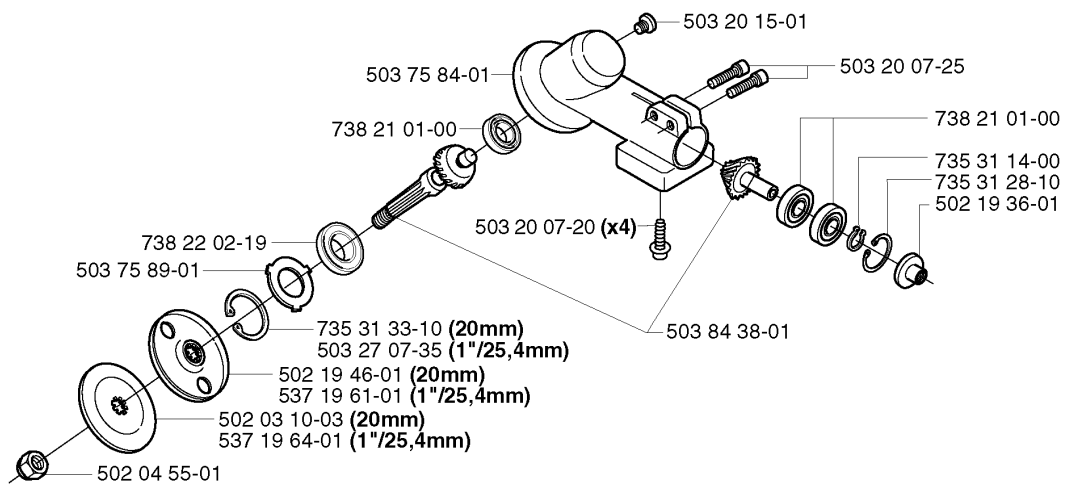
M *compl 502 21 92-04 (20mm)
 *compl 502 21 92-08 (1"/25,4mm)

GR 2032



*compl 503 75 83-01 (20mm)
 *compl 503 75 83-02 (1"/25,4mm)

GR 2036

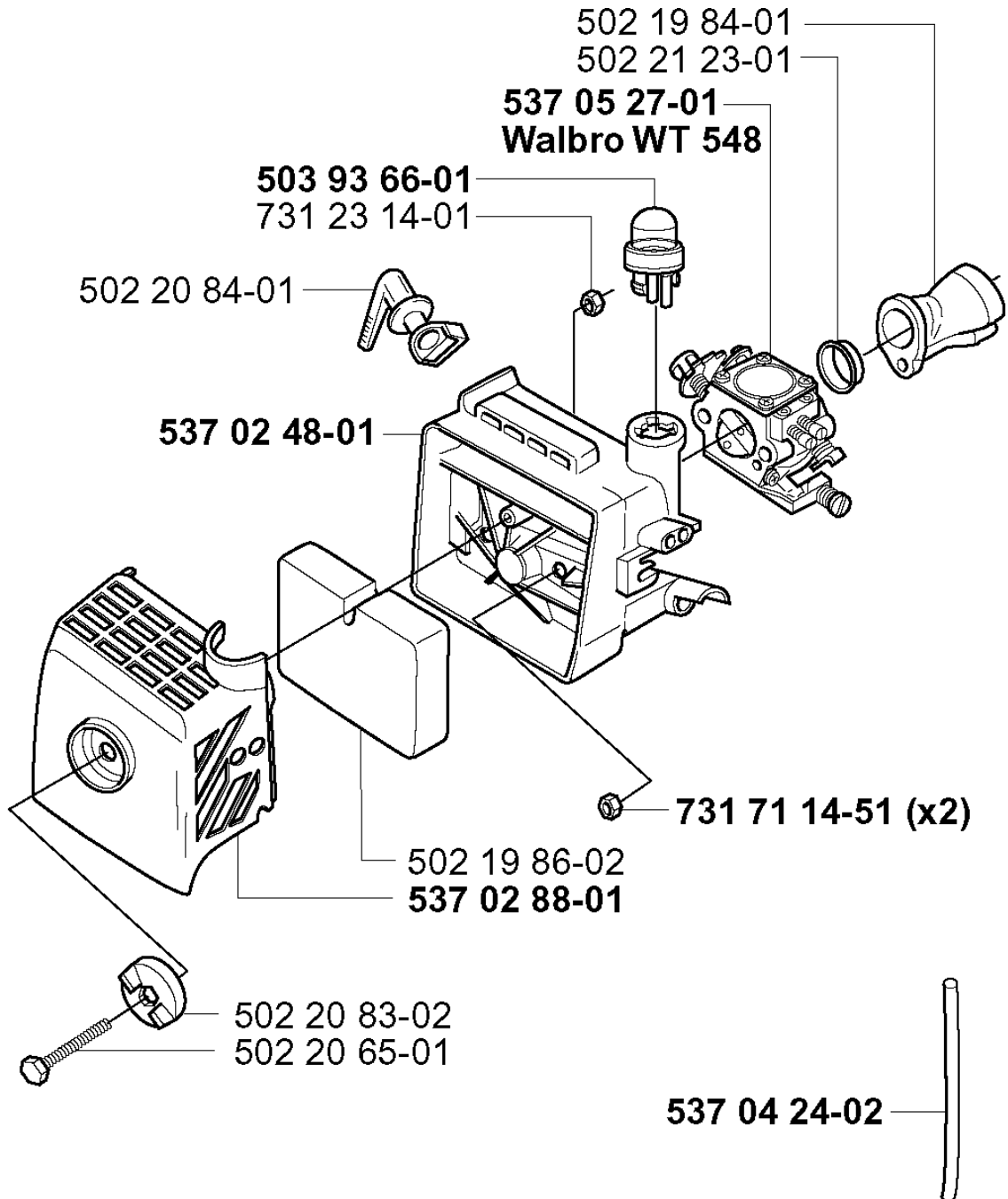


BEVEL GEAR

GR2036, 2000-10

Part No	Description	Remark	QTY KIT
502 03 10-03	SUPPORT FLANGE ASSY	20MM	1
502 04 55-01	LOCKING NUT		1
502 19 36-01	GASKET RING UPPER		1
502 19 46-01	DRIVER	20MM	1
503 20 07-20	SCREW IHSCFM		4
503 20 07-25	SCREW IHSCFM		1
503 20 15-01	SCREW IHHM		1
503 27 07-35	CIRCLIP	1/25,4MM	1
503 75 83-01	GEAR	Valid to 2006-04. Splines connection. 20MM	1
503 75 83-02	GEAR	Valid to 2006-04. Splines connection. 1/25,4MM	1
503 75 84-01	GEAR HOUSING		1
503 75 89-01	COVER WASHER		1
503 84 38-01	GEAR WHEEL		1
537 19 61-01	DRIVER	1/25,4MM	1
537 19 64-01	SUPPORT FLANGE	1/25,4MM	1
735 31 14-00	CIRCLIP		1
735 31 28-10	CIRCLIP		1
735 31 33-10	CIRCLIP	20MM	1
738 21 01-00	BALL BEARING		1
738 21 01-00	BALL BEARING		1
738 22 02-19	BALL BEARING		1

G



CARBURETOR & AIR FILTER

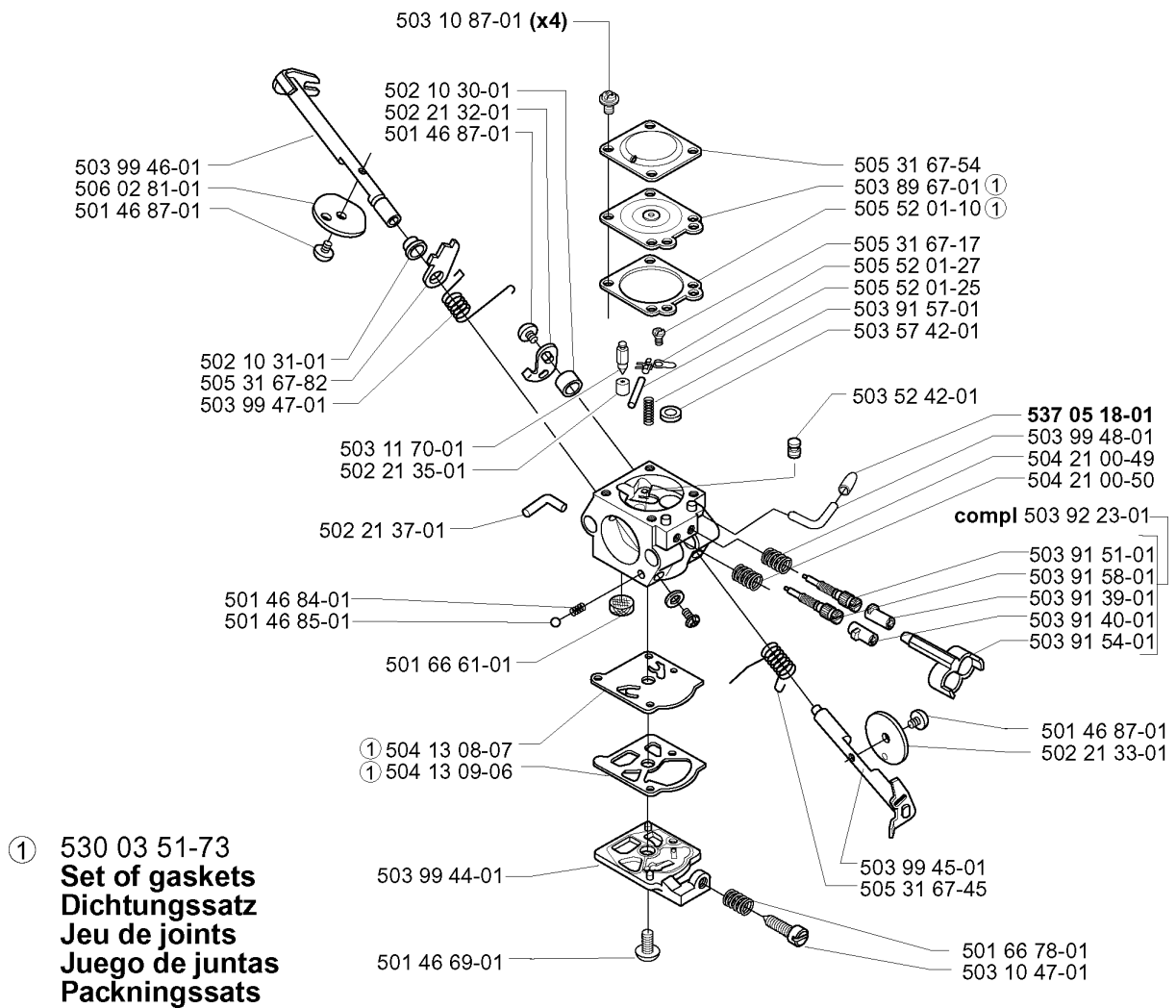
GR2036, 2000-10

Part No	Description	Remark	QTY KIT
502 19 84-01	INLET PIPE		1
502 19 86-02	AIR FILTER		1
502 20 65-01	SCREW EHHM		1
502 20 83-02	KNOB		1
502 20 84-01	CHOKE LEVER		1
502 21 23-01	SUPPORT RING		1
503 93 66-01	PRIMER HOUSING		1
537 02 48-01	FILTER HOLDER		1
537 02 88-01	FILTER COVER		1
537 04 24-02	FUEL HOSE		1
537 05 27-01	CARBURETTOR		1
731 23 14-01	HEXAGON NUT		1
731 71 14-51	HEXAGON NUT FLANGE		2

N

compl 537 05 27-01

Walbro WT 548

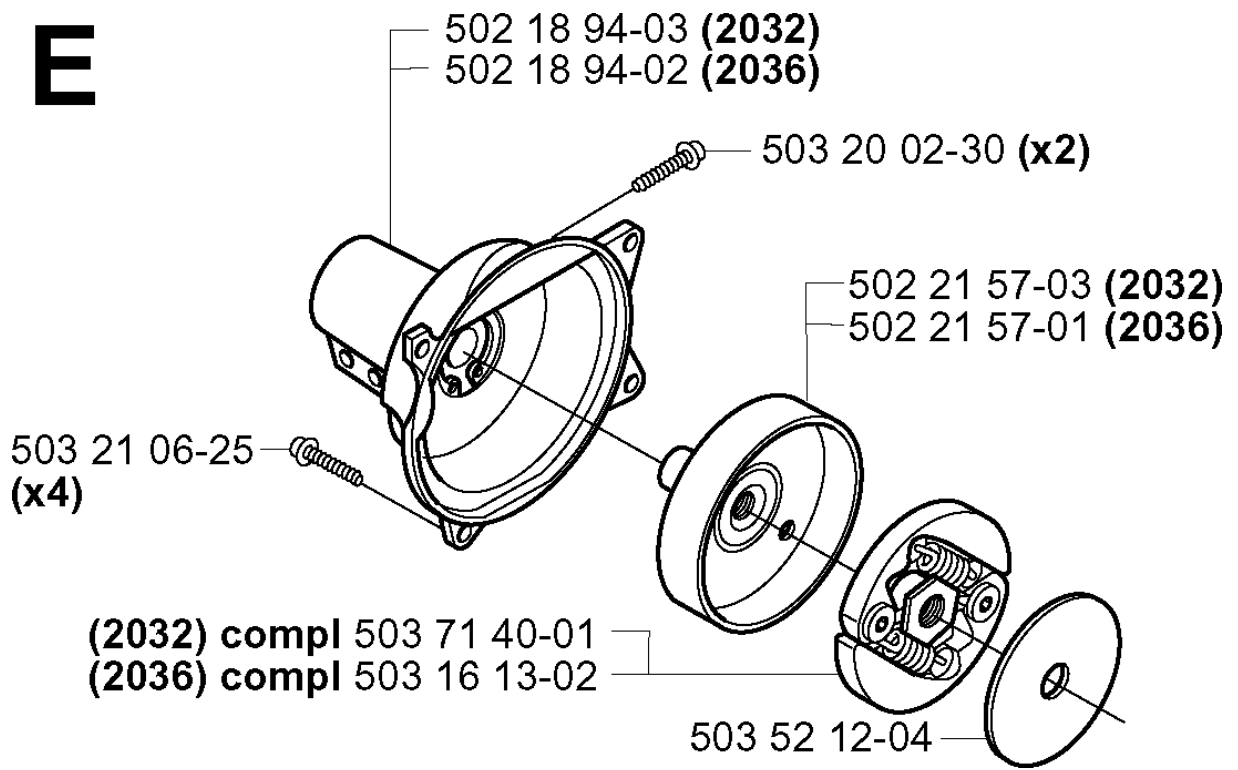


CARBURETOR DETAILS

GR2036, 2000-10

Part No	Description	Remark	QTY KIT
501 46 69-01	SCREW		1
501 46 84-01	SPRING		1
501 46 85-01	BALL		1
501 46 87-01	SCREW		1
501 46 87-01	SCREW		1
501 46 87-01	SCREW		1
501 66 61-01	SCREEN		1
501 66 78-01	SPRING		1
502 10 30-01	DISTANCE		1
502 10 31-01	BUSHING		1
502 21 32-01	LEVER THROTTLE		1
502 21 33-01	VALVE THROTTLE		1
502 21 35-01	SEAT INLET VALVE		1
502 21 37-01	FITTING		1
503 10 47-01	SCREW		1
503 10 87-01	SCREW		4
503 11 70-01	NEEDLE		1
503 52 42-01	NOZZLE ASSY		1
503 57 42-01	PLUG		1
503 89 67-01	DIAPHRAGM	530 03 51-73 SET OF GASKETS	1
503 91 39-01	LIMITER CAP		1
503 91 40-01	LIMITER CAP		1
503 91 51-01	NEEDLE		1
503 91 54-01	RETAINER		1
503 91 57-01	SPRING		1
503 91 58-01	NEEDLE		1
503 92 23-01	LIMITER CAP		1
503 99 44-01	COVER		1
503 99 45-01	SHAFT ASSY		1
503 99 46-01	SHAFT ASSY		1
503 99 47-01	SPRING		1
503 99 48-01	FITTING		1
504 13 08-07	DIAPHRAGM PUMP	530 03 51-73 SET OF GASKETS	1
504 13 09-06	GASKET	530 03 51-73 SET OF GASKETS	1
504 21 00-49	SPRING		1
504 21 00-50	SPRING		1
505 31 67-17	SCREW		1
505 31 67-45	SPRING		1
505 31 67-54	LOCK STYRMEMBRAN		1
505 31 67-82	LEVER		1
505 52 01-10	GASKET	530 03 51-73 SET OF GASKETS	1
505 52 01-25	PIN-METERING LEVER		1
505 52 01-27	LEVER		1
506 02 81-01	VALVE		1
537 05 18-01	PLUG		1
537 05 27-01	CARBURETTOR		1

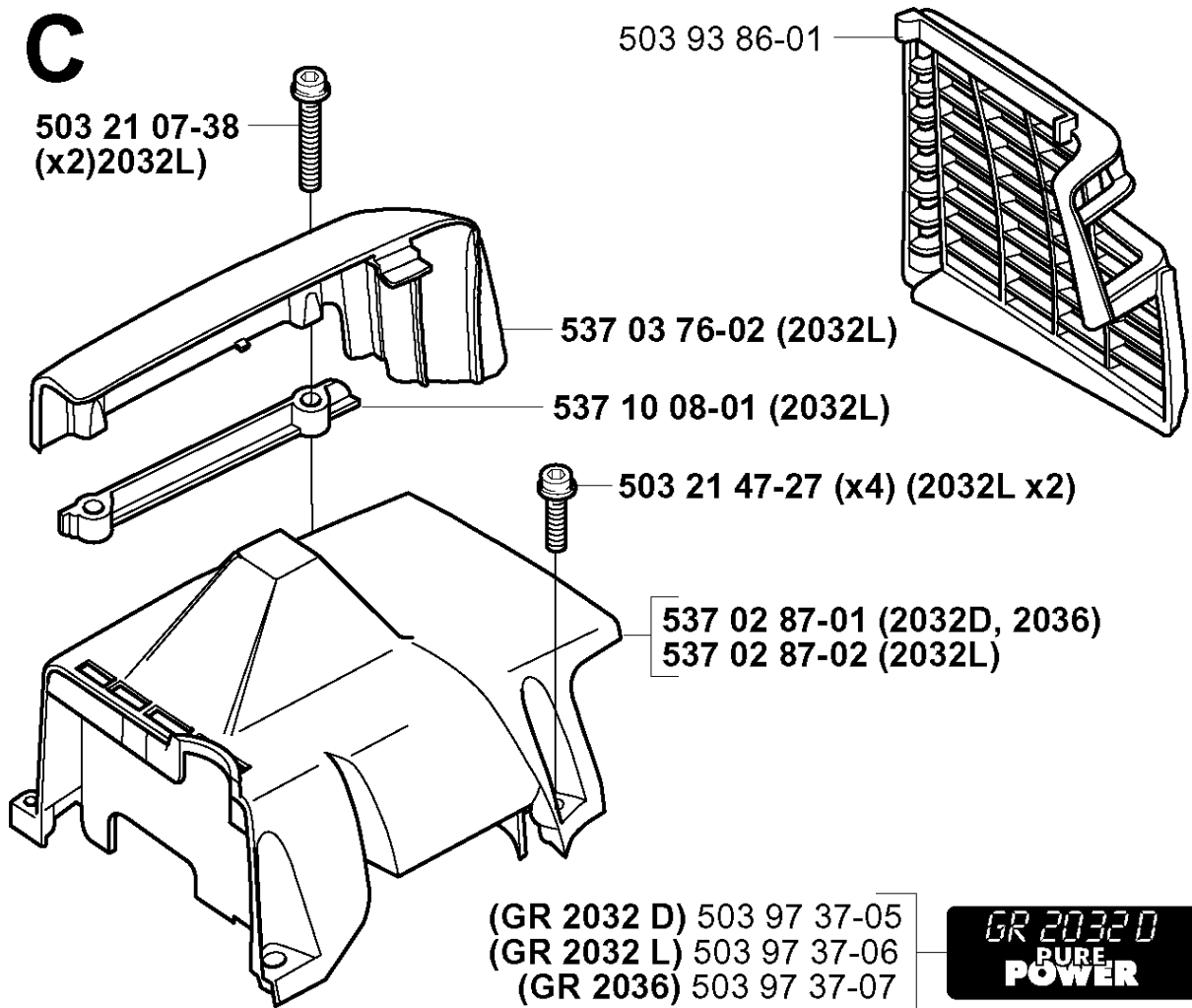
E



CLUTCH

GR2036, 2000-10

Part No	Description	Remark	QTY KIT
502 18 94-02	CLUTCH COVER ASSY	2036	1
502 18 94-03	CLUTCH COVER ASSY	2032	1
502 21 57-01	CLUTCH DRUM ASSY	2036	1
502 21 57-03	CLUTCH DRUM ASSY	2032	1
503 16 13-02	CLUTCH ASSY	2036	1
503 20 02-30	SCREW IHSCFM		2
503 21 06-25	SCREW IHSCFT		4
503 52 12-04	WASHER		1
503 71 40-01	CLUTCH ASSY	2032	1



COVER

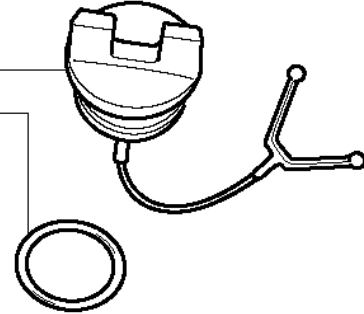
GR2036, 2000-10

Part No	Description	Remark	QTY KIT
503 21 07-38	SCREW IHSCCT	2032L	2
503 21 47-27	SCREW IHSCFTO	2032L X2	4
503 93 86-01	HEAT PROTECTOR		1
503 97 37-05	LABEL	GR 2032 D	1
503 97 37-06	LABEL	GR 2032 L	1
503 97 37-07	LABEL	GR 2036	1
537 02 87-01	CYLINDER COVER	2032D, 2036	1
537 02 87-02	CYLINDER COVER	2032L	1
537 03 76-02	ARM PROTECTION	2032L	1
537 10 08-01	SPACER	2032L	1

H *compl 503 92 22-01

503 82 80-04

501 27 82-01



*503 22 72-01 (x4)

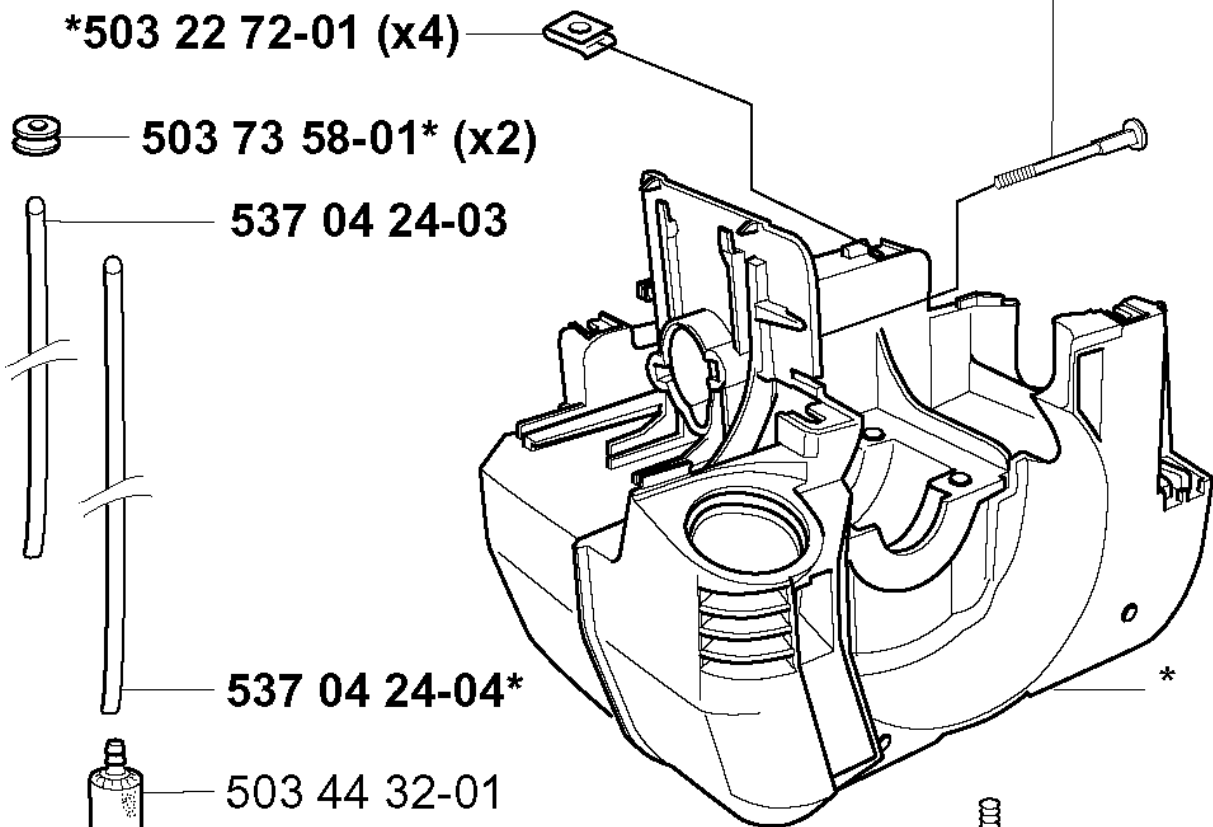
503 73 58-01* (x2)

537 04 24-03

537 04 24-04*

503 44 32-01

503 98 81-01 (x2)



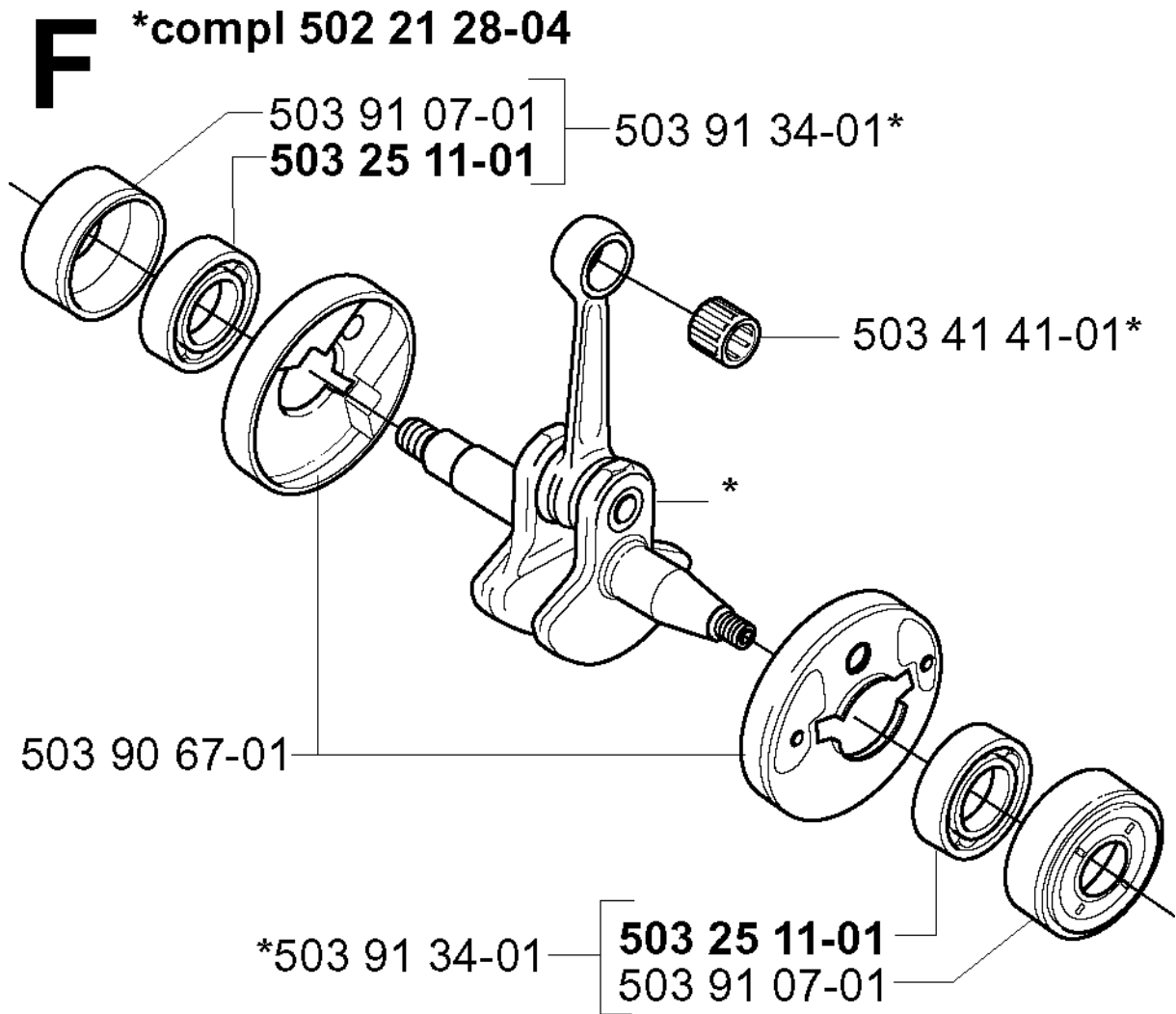
725 53 72-55 (x4)



CRANKCASE

GR2036, 2000-10

Part No	Description	Remark	QTY KIT
501 27 82-01	GASKET		1
503 22 72-01	SPEED NUT		4
503 44 32-01	FILTER		1
503 73 58-01	BUSHING		2
503 82 80-04	TANK CAP ASSY		1
503 92 22-01	CRANKCASE ASSY		1
503 98 81-01	SCREW		2
537 04 24-03	FUEL HOSE		1
537 04 24-04	FUEL HOSE		1
725 53 72-55	SCREW IHSCM		4

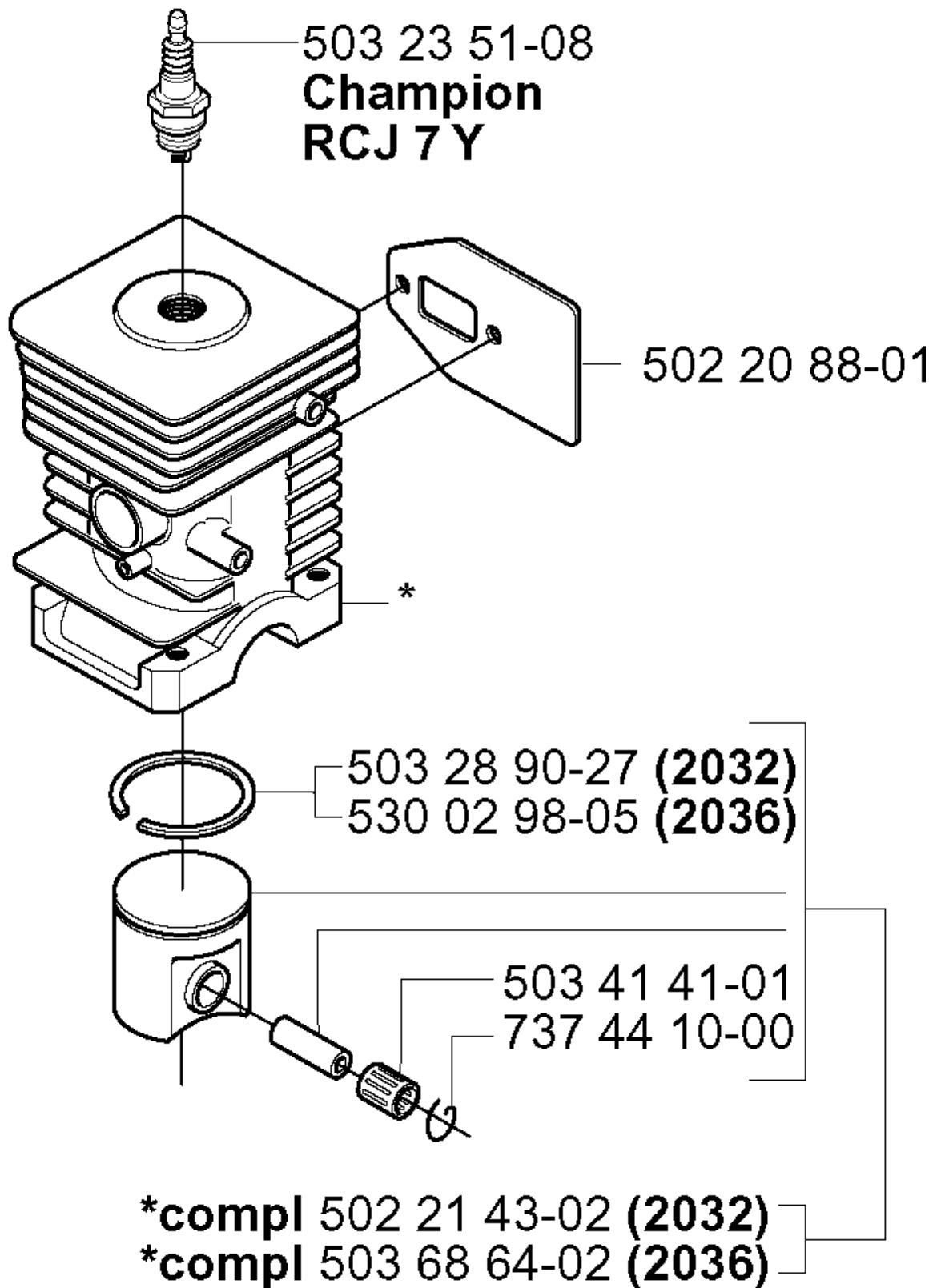


CRANKSHAFT

GR2036, 2000-10

Part No	Description	Remark	QTY KIT
502 21 28-04	CRANKSHAFT ASSY		1
503 25 11-01	BALL BEARING		1
503 25 11-01	BALL BEARING		1
503 41 41-01	NEEDLE BEARING		1
503 90 67-01	CUP		1
503 91 07-01	BEARING CAGE		1
503 91 07-01	BEARING CAGE		1
503 91 34-01	BEARING CAGE		1
503 91 34-01	BEARING CAGE		1

D *compl 503 72 80-01 \varnothing 35mm (2032)
 *compl 503 69 46-01 \varnothing 38mm (2036)



CYLINDER PISTON

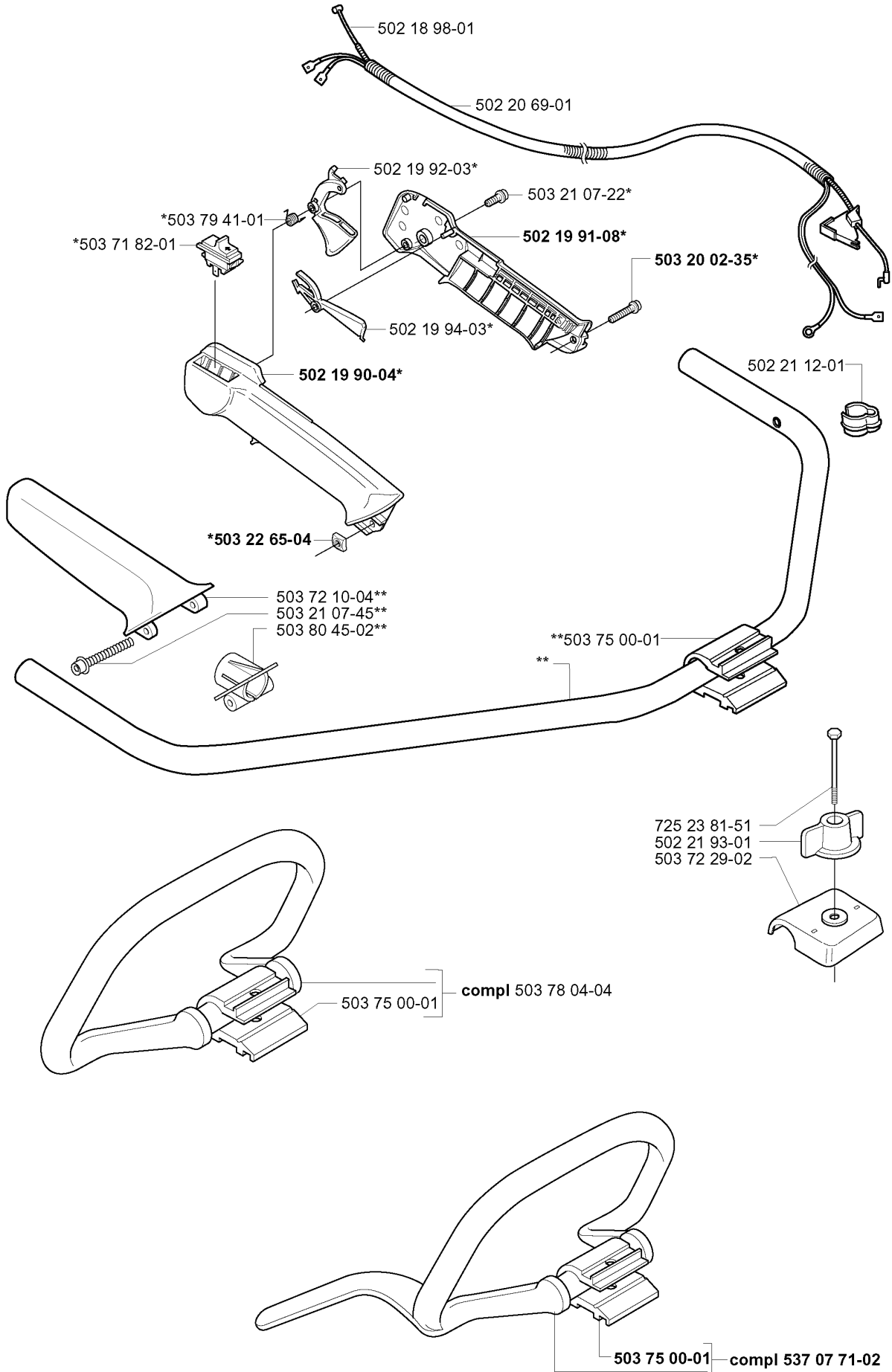
GR2036, 2000-10

Part No	Description	Remark	QTY KIT
502 20 88-01	GASKET MUFFLER		1
502 21 43-02	PISTON ASSY	2032	1
503 23 51-08	SPARK PLUG	CHAMPION RCJ 7 Y	1
503 28 90-27	PISTON RING	2032	1
503 41 41-01	NEEDLE BEARING		1
503 68 64-02	PISTON ASSY	2036	1
503 69 46-01	PISTON	DIA.38MM (2036)	1
503 72 80-01	KOLV + CYL R-DEL	DIA.35MM (2032)	1
530 02 98-05	PISTON RING	2036	1
737 44 10-00	SNAP RING		1

B

*compl 502 19 58-14
**compl 503 72 43-04

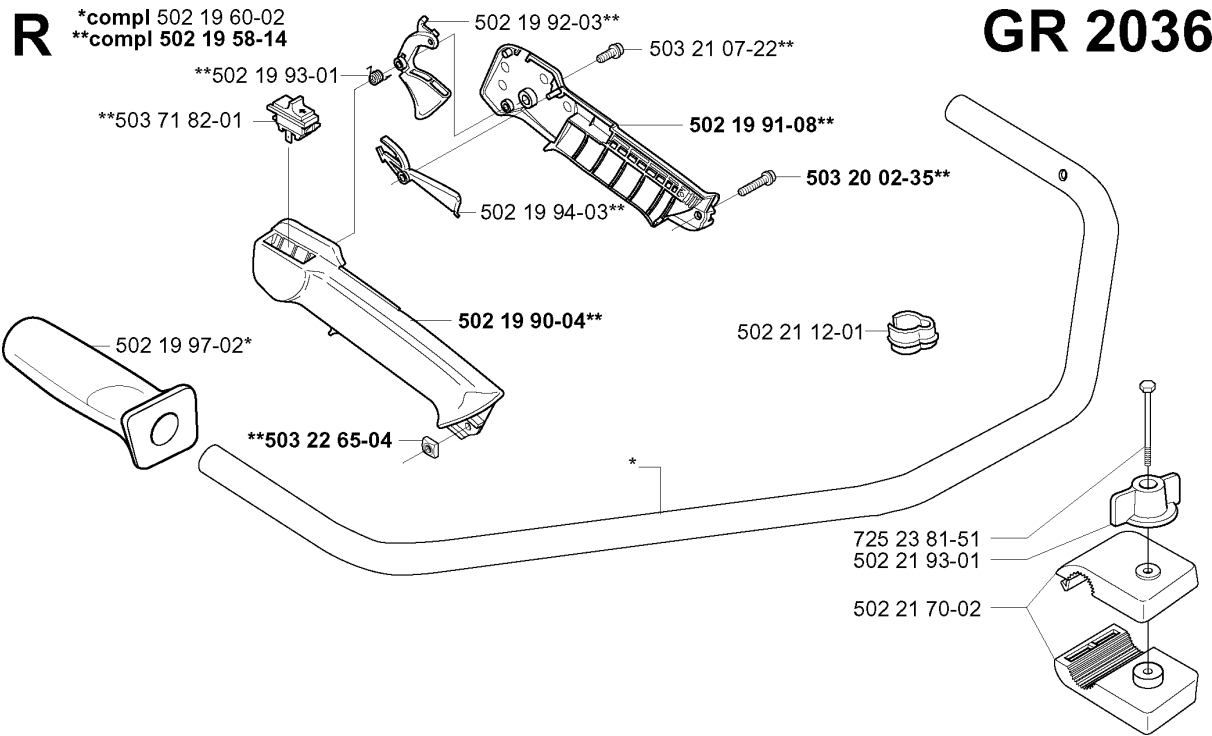
GR 2032



HANDLE & CONTROLS

GR2036, 2000-10

Part No	Description	Remark	QTY KIT
502 18 98-01	THROTTLE WIRE		1
502 19 58-14	HANDLE		1
502 19 90-04	HANDLE HALF		1
502 19 91-08	HANDLE HALF		1
502 19 92-03	THROTTLE TRIGGER		1
502 19 94-03	THROTTLE LOCKOUT		1
502 20 69-01	WIRING		1
502 21 12-01	STAPLE		1
502 21 93-01	TURNING KNOB		1
503 20 02-35	SCREW IHSCFM		1
503 21 07-22	SCREW IHSCF		1
503 21 07-45	SCREW IHSCF		1
503 22 65-04	SQUARE NUT		1
503 71 82-01	SWITCH		1
503 72 10-04	HANDLE		1
503 72 29-02	COVER		1
503 72 43-04	HANDLEBAR PART ASSY		1
503 75 00-01	HANDLEBAR BRACKET		1
503 75 00-01	HANDLEBAR BRACKET		1
503 75 00-01	HANDLEBAR BRACKET		1
503 78 04-04	HANDLE LOOP		1
503 79 41-01	RECOIL SPRING		1
503 80 45-02	BRACKET		1
537 07 71-02	HANDLE		1
725 23 81-51	SCREW EHHM		1



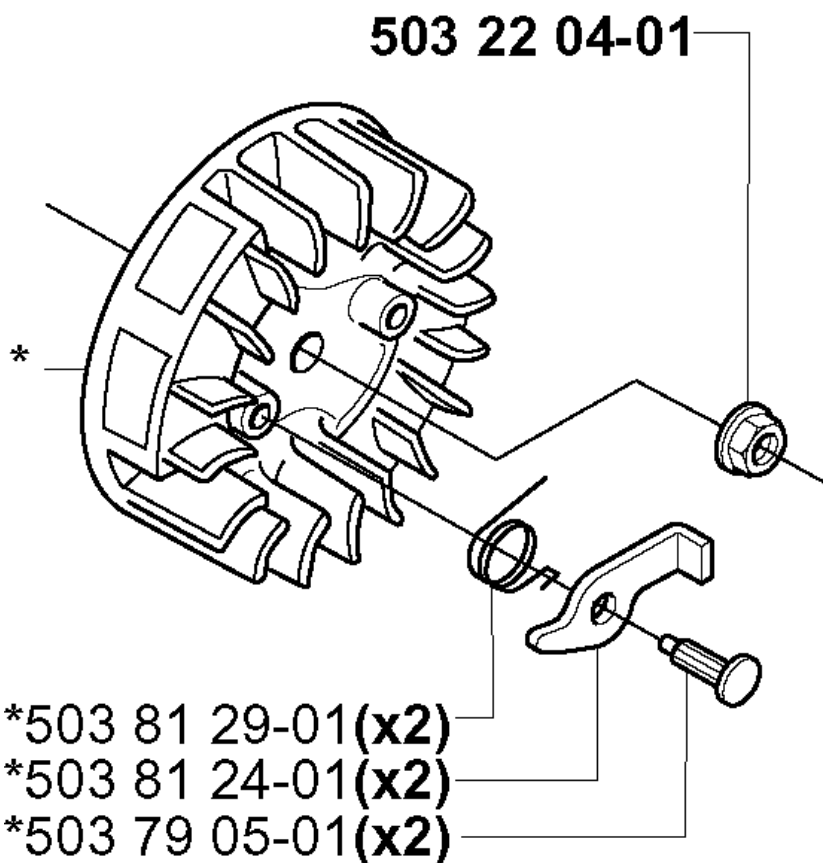
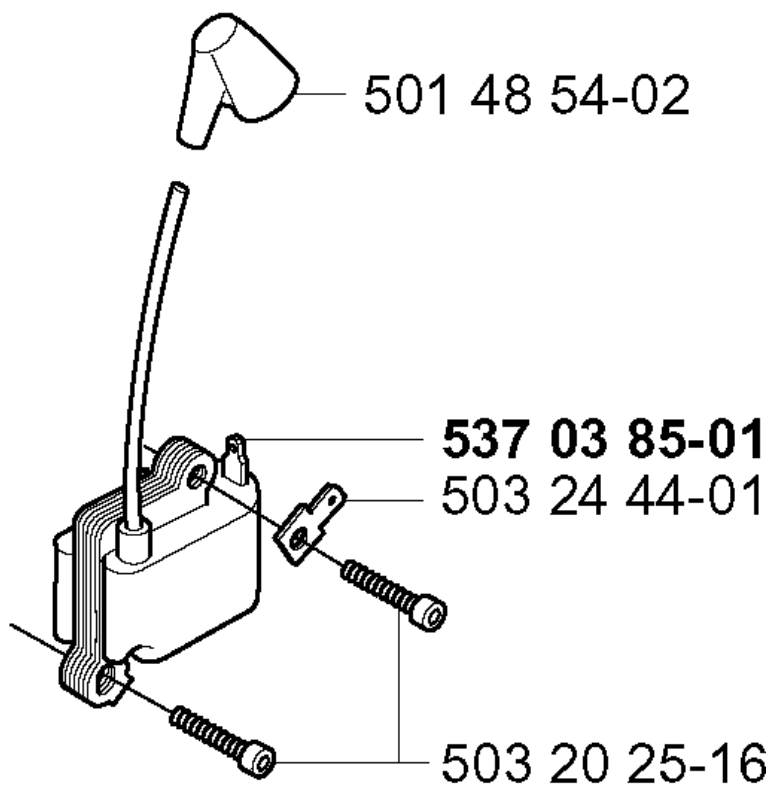
HANDLE & CONTROLS

GR2036, 2000-10

Part No	Description	Remark	QTY KIT
502 19 58-14	HANDLE		1
502 19 60-02	HANDLEBAR PART ASSY		1
502 19 90-04	HANDLE HALF		1
502 19 91-08	HANDLE HALF		1
502 19 92-03	THROTTLE TRIGGER		1
502 19 93-01	RECOIL SPRING		1
502 19 94-03	THROTTLE LOCKOUT		1
502 19 97-02	HANDLE		1
502 21 12-01	STAPLE		1
502 21 70-02	HANDLEBAR BRACKET		1
502 21 93-01	TURNING KNOB		1
503 20 02-35	SCREW IHSCFM		1
503 21 07-22	SCREW IHSCF		1
503 22 65-04	SQUARE NUT		1
503 71 82-01	SWITCH		1
725 23 81-51	SCREW EHHM		1

L

***compl 503 79 06-01**



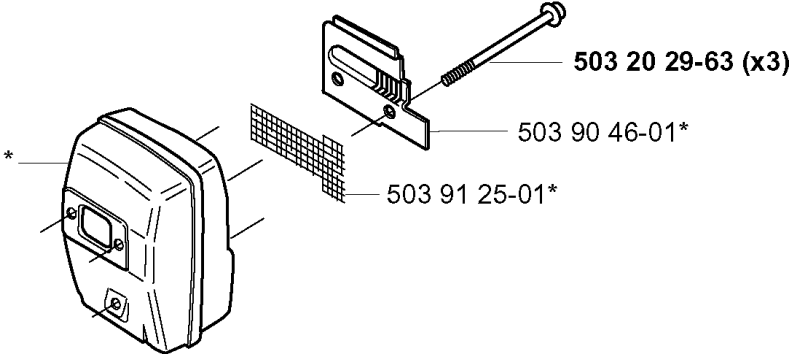
IGNITION SYSTEM

GR2036, 2000-10

Part No	Description	Remark	QTY KIT
501 48 54-02	SPARK PLUG CAP		1
503 20 25-16	SCREW IHSCM		1
503 22 04-01	NUT		1
503 24 44-01	FLAT PIN		1
503 79 05-01	RIVET		2
503 79 06-01	FLYWHEEL		1
503 81 24-01	STARTER PAWL		2
503 81 29-01	SPRING		2
537 03 85-01	MODULE		1

J

*compl 503 90 47-02



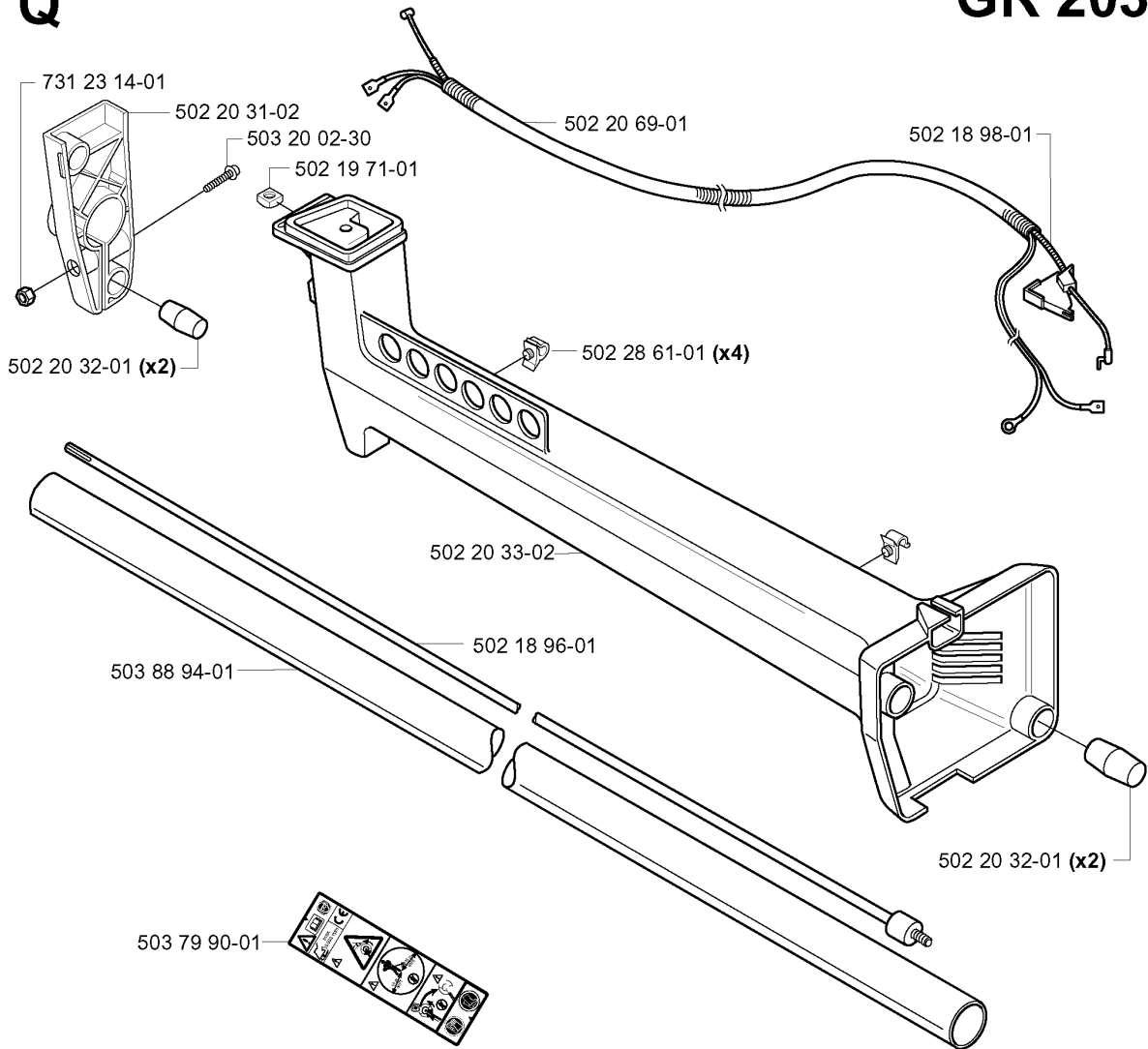
MUFFLER

GR2036, 2000-10

Part No	Description	Remark	QTY KIT
503 20 29-63	SCREW IHSCFM		3
503 90 46-01	EXHAUST DUCT		1
503 90 47-02	MUFFLER ASSY		1
503 91 25-01	SPARK ARRESTER SCREEN		1

Q

GR 2036



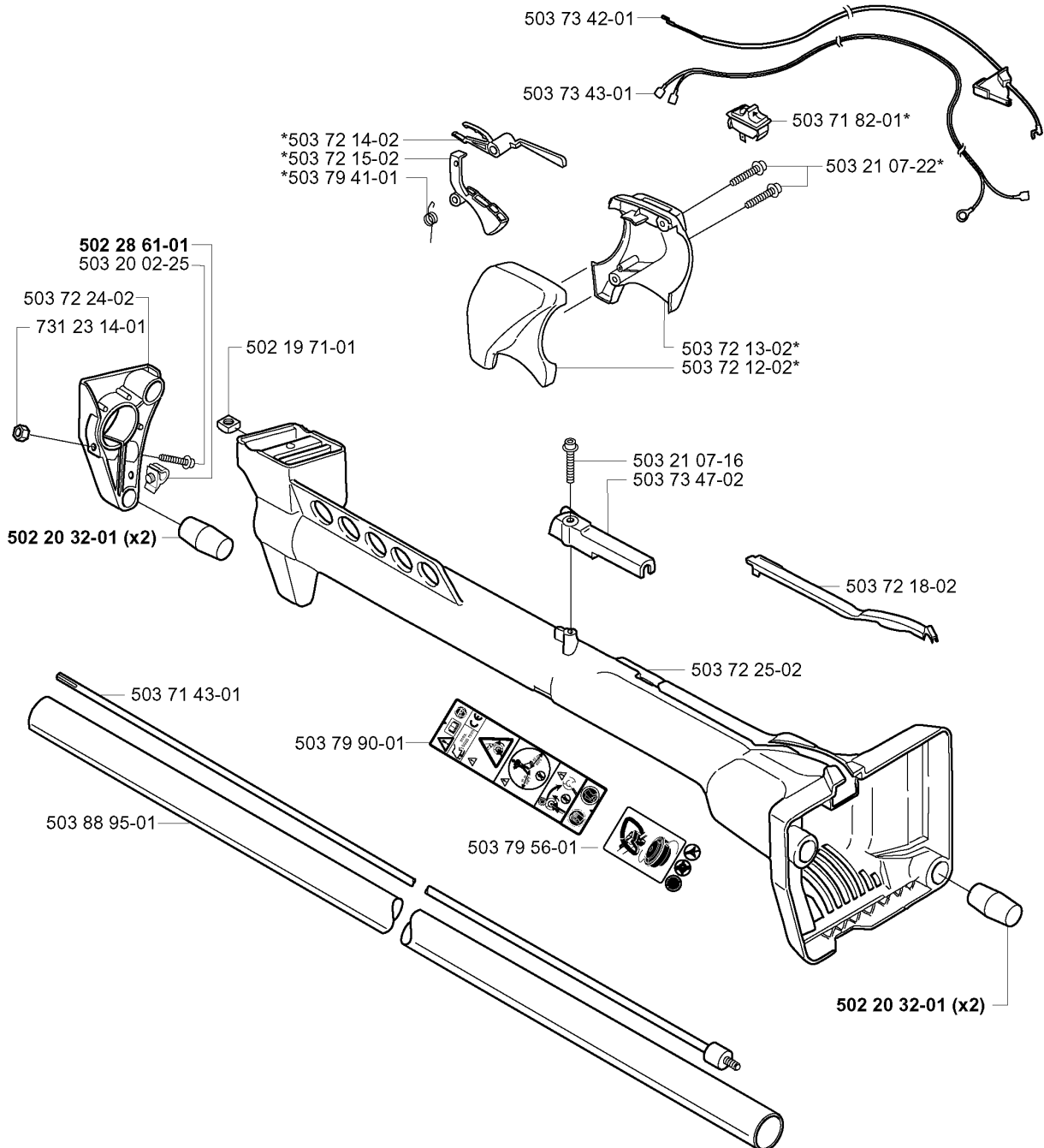
SHAFT

GR2036, 2000-10

Part No	Description	Remark	QTY KIT
502 18 96-01	DRIVE SHAFT		1
502 18 98-01	THROTTLE WIRE		1
502 19 71-01	SQUARE NUT		1
502 20 31-02	HOLDER ANTIVIBRATION		1
502 20 32-01	ANTIVIBRATION ELEMENT		2
502 20 32-01	ANTIVIBRATION ELEMENT		2
502 20 33-02	SUSPENSION		1
502 20 69-01	WIRING		1
502 28 61-01	CLIP		4
503 20 02-30	SCREW IHSCFM		1
503 79 90-01	LABEL		1
503 88 94-01	TUBE		1
731 23 14-01	HEXAGON NUT		1

A *compl 503 78 05-04

GR 2032

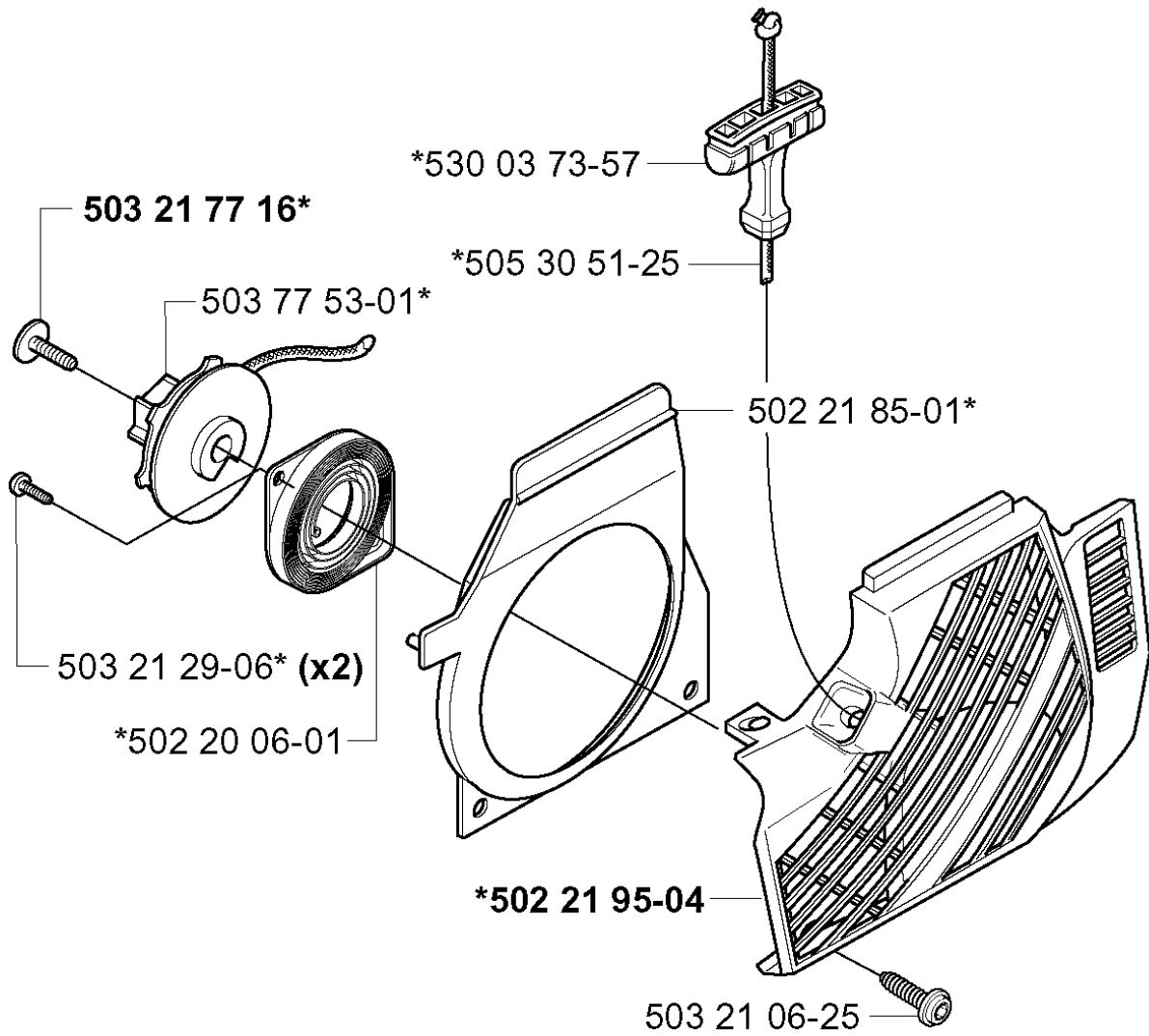


SHAFT & HANDLE

GR2036, 2000-10

Part No	Description	Remark	QTY KIT
502 19 71-01	SQUARE NUT		1
502 20 32-01	ANTIVIBRATION ELEMENT		2
502 20 32-01	ANTIVIBRATION ELEMENT		2
502 28 61-01	CLIP		1
503 20 02-25	SCREW IHSCFM		1
503 21 07-16	SCREW IHST		1
503 21 07-22	SCREW IHST		1
503 71 43-01	DRIVE SHAFT ASSY		1
503 71 82-01	SWITCH		1
503 72 12-02	HANDLE HALF		1
503 72 13-02	HANDLE HALF		1
503 72 14-02	THROTTLE LOCKOUT		1
503 72 15-02	THROTTLE TRIGGER		1
503 72 18-02	COVER		1
503 72 24-02	HOLDER ANTIVIBRATION		1
503 72 25-02	SUSPENSION		1
503 73 42-01	THROTTLE WIRE ASSY		1
503 73 43-01	SHORT CIRCUIT CABLE		1
503 73 47-02	LOCK KABLAGE STYRE		1
503 78 05-04	HANDLE		1
503 79 41-01	RECOIL SPRING		1
503 79 56-01	LABEL		1
503 79 90-01	LABEL		1
503 88 95-01	TUBE		1
731 23 14-01	HEXAGON NUT		1

M *compl 502 21 95-03



- 502 21 98-20 (2032 D)
- 502 21 98-21 (2032 L)
- 502 21 98-22 (2036 CL)



STARTER

GR2036, 2000-10

Part No	Description	Remark	QTY KIT
502 20 06-01	SPRING CASSETTE ASSY		1
502 21 85-01	AIR CONDUCTOR		1
502 21 95-03	STARTER		1
502 21 95-04	STARTER		1
502 21 98-20	LABEL	2032 D	1
502 21 98-21	LABEL	2032 L	1
502 21 98-22	LABEL	2036 CL	1
503 21 06-25	SCREW IHSCFT		1
503 21 29-06	SCREW CCRPANT		2
503 21 77-16	SCREW IHSCFT		1
503 77 53-01	STARTER PULLEY		1
505 30 51-25	STARTER CORD		1
530 03 73-57	STARTER HANDLE		1