

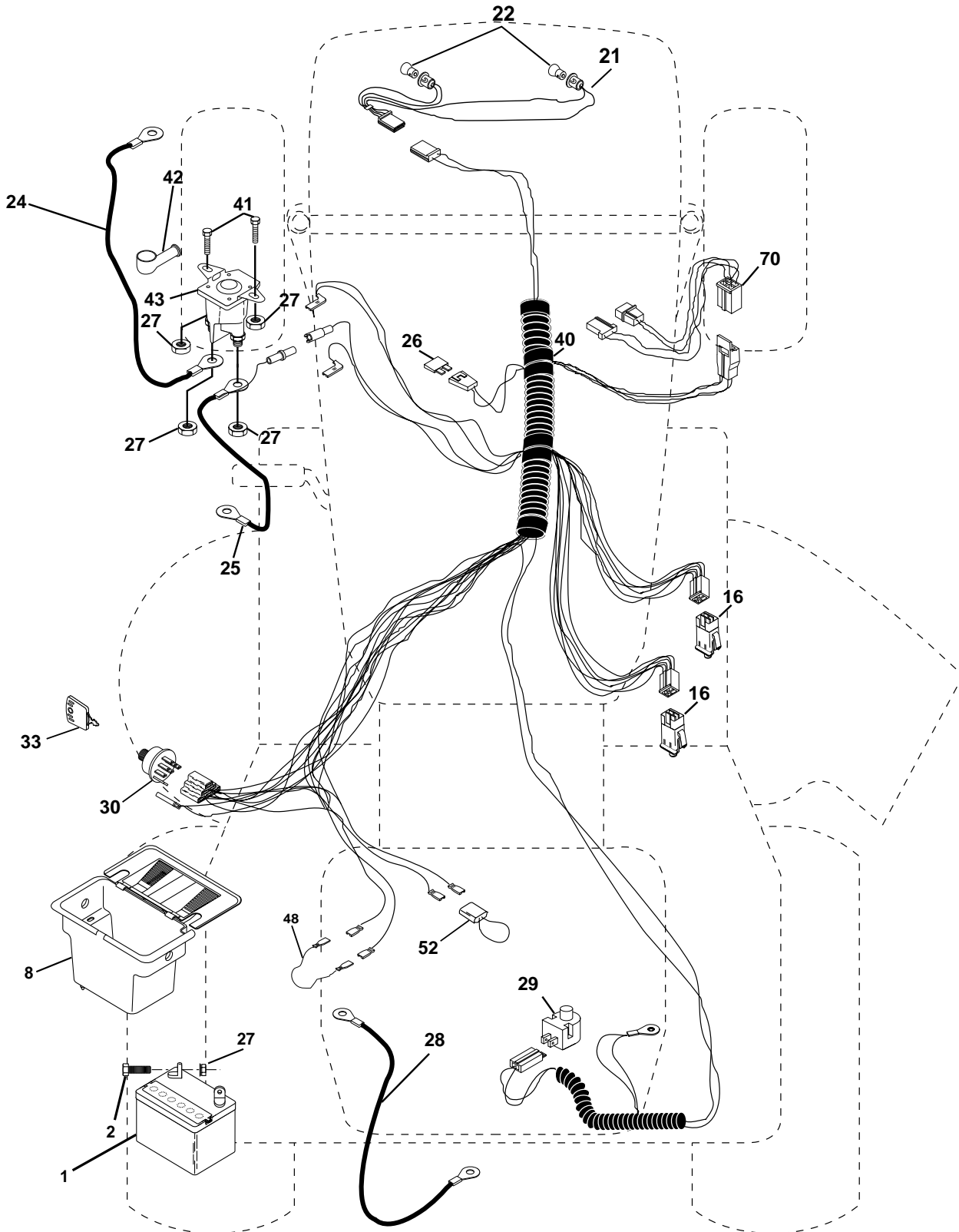
# LT15A

**Spare parts**  
**Ersatzteile**  
**Pièces détachées**  
**Reserve onderdelen**  
**Repuestos**  
**Reservdelar**

# REPAIR PARTS

TRACTOR - MODEL NO. LT15A (J15H42E), PRODUCT NO. 954 13 00-37

## ELECTRICAL



# REPAIR PARTS

TRACTOR - MODEL NO. LT15A (J15H42E), PRODUCT NO. 954 13 00-37

## ELECTRICAL

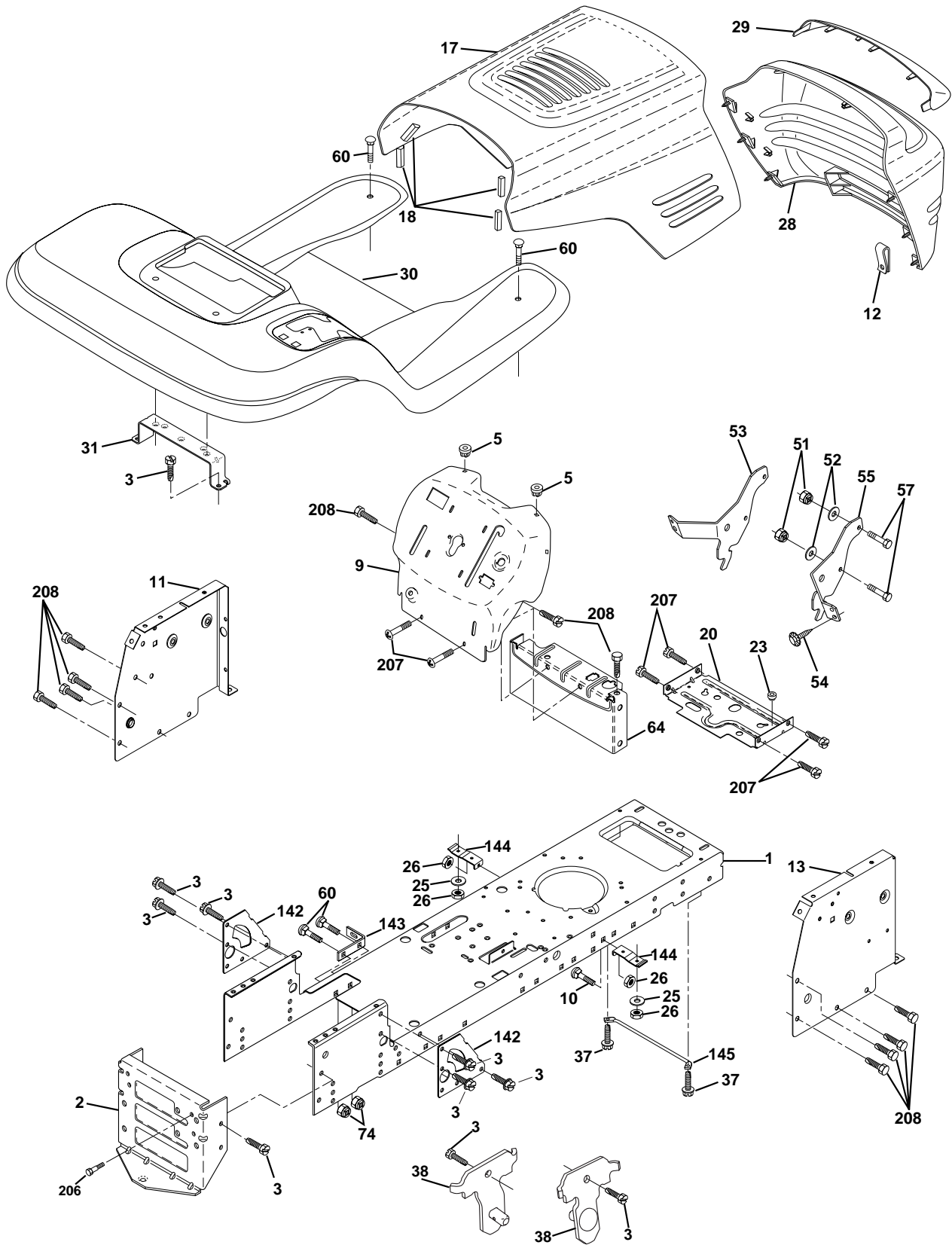
KEY NO.	PART NO.	DESCRIPTION
1	532144925	Battery 12 Volt 25 AMP
2	874760412	Bolt Hex Hd 1/4-20unc X 3/4
8	532156417	Case Battery Mech Hinge
16	532153664	Switch Interlock Push-In
20	873350400	Nut Jam Hex 1/4-20 Unc
21	532166182	Harness Asm Light W/4152j
22	532004152	Bulb Light #1 156
24	532124780	Cable Battery 6 Ga 11" red
25	532146147	Cable Battery 6 Ga 44" red w/16 wire
26	532166180	Fuse 15 AMP
27	873510400	Nut Keps Hex 1/4-20 Unc
28	532124773	Cable Ground 6 Ga 12" black
29	532121305	Switch Plunger Nc Gray
30	<b>532163968</b>	Switch Ign
33	<b>532140401</b>	Key Ign Molded Generic
40	<b>532170217</b>	Harness Ign.
41	871110408	Bolt Blk Fin Hex 1/4 - 20 x 1/2
42	532131563	Cover Terminal Red
43	532145673	Solenoid
48	<b>532140844</b>	Adapter Ammeter Rectangular
52	532141940	Protection Wire Loop
70	<b>532170243</b>	Harness, Eng.

**NOTE:** All component dimensions given in U.S. inches.  
1 inch = 25.4 mm.

# REPAIR PARTS

TRACTOR - MODEL NO. LT15A (J15H42E), PRODUCT NO. 954 13 00-37

## CHASSIS AND ENCLOSURES



# REPAIR PARTS

## TRACTOR - MODEL NO. LT15A (J15H42E), PRODUCT NO. 954 13 00-37 CHASSIS AND ENCLOSURES

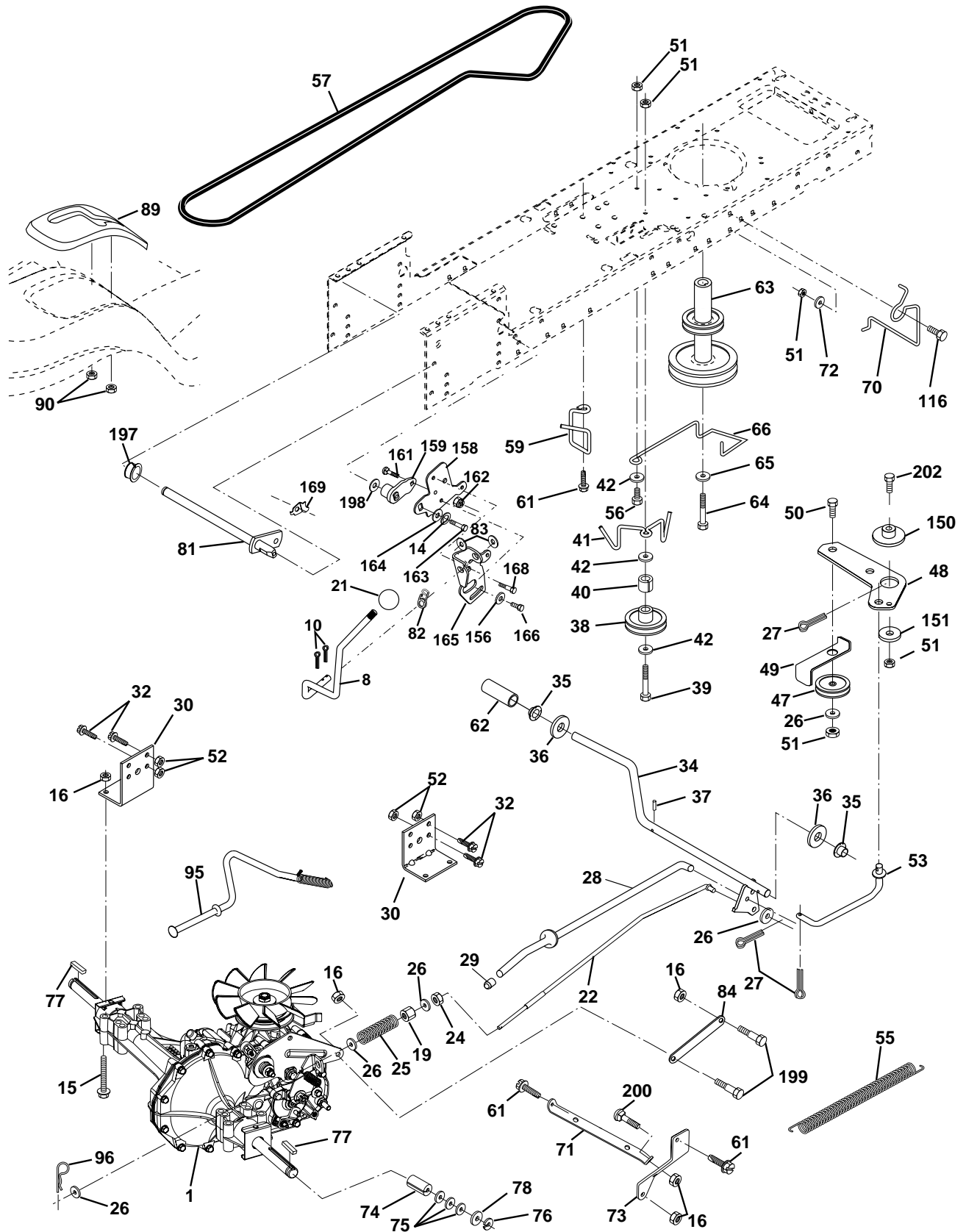
KEY NO.	PART NO.	DESCRIPTION
1	<b>532169830</b>	Chassis
2	<b>532169061</b>	Drawbar
3	<b>817060612</b>	Screw 3/8-16x3/4
4	819131216	Washer 13/32 x 3/4 x 16 Ga.
5	532155272	Bumper Hood/Dash
9	<b>532172151</b>	Dash P/L
10	872140608	Bolt Carriage 3/8-16 x 1
11	532155927	Panel Dash Lh
12	532145660	Clip Tinnerman Grille P/L
13	<b>532169118</b>	Panel Dash Rh
14	817490608	Screw Thdrol 3/8-16x1/2 Ty-tt
17	532150760	Hood LT/PL with Louvers
18	532126938	Bumper Hood
20	532156437	Plate Mtg Battery Fuel Tank Fr
23	532124028	Bushing
25	819131312	Washer 13/32 X 13/16 X 12 Ga
26	873800600	Nut Lock Hex W/Ins 3/8-16 Unc
28	<b>532172170</b>	Grille with Clips
29	532166603	Lens LT/PL Grille Shark Plain
30	<b>532172157</b>	Fender Footrest
31	532139976	Bracket Support Fender
37	817490508	Screw Thdrol 6/16-18 x 1/2 TYT
38	<b>532169834</b>	Bracket Asm Pivot Mower Rear
51	873800400	Nut Lock Hex W/Ins 1/4-20
52	819091416	Washer 9/32 x 7/8 x 16 Ga.
53	532145201	Bracket Pnt. Pickoff LH
54	532161464	Screw Hex Wshd 8-18 x 7/8
55	532145202	Bracket Grille Pickoff RH
57	874780412	Bolt Hex 1/4-20 x 3/4
60	872140606	Bolt Rdhd Sqnk 3/8-16unc x 3/4
64	532154798	Dash Lower STLT
74	873680600	Nut Crownlock 3/8-16 UNC
140	532158418	Bracket Suspension Front
142	<b>532165867</b>	Plate Reinforcement STLT
143	532154966	Bracket Swaybar Chassis
144	532154207	Bracket Pnt Footrest STLT
145	532156524	Rod Pivot Chassis/Hood
206	<b>532170165</b>	Bolt Shoulder 5/16-18 TT
207	<b>817670508</b>	Screw Thdrol 5/16-18 x 1/2 TY TT
208	<b>817670608</b>	Screw Thdrol 3/8-16 x 1/2 TY TT
--	532005479	Plug Button

**NOTE:** All component dimensions given in U.S. inches  
1 inch = 25.4 mm

# REPAIR PARTS

TRACTOR - MODEL NO. LT15A (J15H42E), PRODUCT NO. 954 13 00-37

## DRIVE



# REPAIR PARTS

TRACTOR - MODEL NO. LT15A (J15H42E), PRODUCT NO. 954 13 00-37

## DRIVE

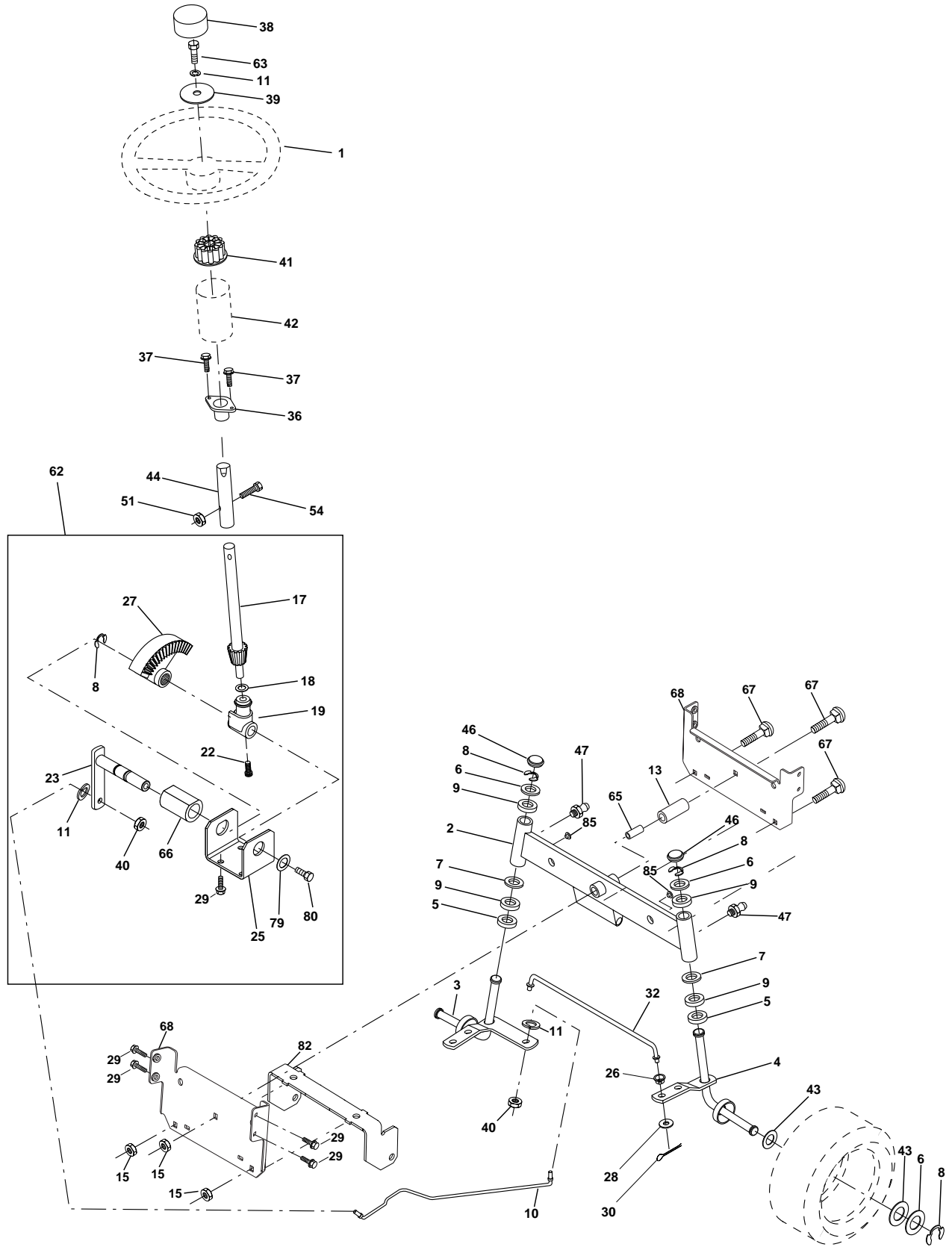
KEY PART NO. NO.	DESCRIPTION	KEY PART NO. NO.	DESCRIPTION
1	----- Transaxle Hydro Gear <b>314-0510</b> Order parts from transaxle manufacturer	63	532140186 Pulley, Engine
8	532165866 Rod Shift Fender Adjust Lt	64	871170764 Bolt, Hex
10	876020416 Pin Cotter 1/8 x 1 CAD	65	810040700 Washer
14	810040400 Washer Lock Hvy Helical	66	532154778 Keeper Belt Engine
15	<b>874490544</b> Bolt Fin Hex 5/16-18 x Gr. 5	70	532134683 Keeper Belt Engine
16	873800500 Nut Lock Hex W/Ins. 5/16-18 Unc P	71	<b>532169183</b> Strap Torque Lh Hydro
18	874780616 Bolt Fin Hex 3/8-16 Unc x 1 Gr. 5	72	819132012 Washer 13/32 x 1-1/4 x 12 Gauge
19	873800600 Nut Lock Hex W/Wsh 3/8-16 Unc	73	<b>532169182</b> Strap Torque Rh Hydro
21	532130564 Knob 1/2-13	74	<b>532169496</b> Spacer, Split
22	<b>532169498</b> Rod, Brake Hydro	75	532121749 Washer 25/32 x 1-1/4 x 16 Gauge
24	873350600 Nut	76	812000001 E-Ring
25	532106888 Spring, Brake Rod	77	532123583 Key, Square
26	819131316 Washer	78	532121748 Washer 25/32 x 1-5/8 x 16 Gauge
27	876020412 Pin Cotter 1/8 x 3/4 CAD.	81	<b>532165596</b> Shaft Asm. Cross Tapered
28	532145204 Rod, Parking Brake	82	532165711 Spring Torsion T/A
29	532071673 Cap, Parking Brake	83	819171216 Washer 17/32 x 3/4 x 16 Ga.
30	<b>532169592</b> Bracket, Transaxle	84	<b>532169594</b> Link Transaxle
32	874760512 Bolt Hex Hd 5/16-18 Unc x 3/4	89	532166602 Console, Shift
34	532155071 Shaft, Foot Pedal	90	532124346 Nut Self-thd Wsh-hd 1/4 Zinc
35	532120183 Bearing, Nylon	95	<b>532170201</b> Control Asm Bypass Hydro
36	819211616 Washer	96	532124788 Retainer Spring 1" Zinc/Cad
37	532124963 Pin, Roll	116	872110610 Bolt Rdhd Sq Neck 3/8-16 x 1.25
38	532131494 Pulley, Idler, Flat	150	532165850 Bushing Bellcrank Grd Drive
39	<b>872110622</b> Bolt	151	819133210 Washer 13/32 x 2 10 Ga.
40	532124965 Spacer, Split	156	532166002 Washer Srrted 5/16 ID x 1.125
41	532165838 Keeper, Belt Idler	158	532165589 Bracket Shift Mount
42	819131312 Washer 13/32 x 13/16 x 12 Gauge	159	532165494 Hub Tapered Flange Shift Lt
47	532127783 Pulley, Idler, V-Groove	161	872140406 Bolt Rdhd Sqnk 1/4-20 x 3/4 Gr 5
48	532154407 Bellcrank Clutch Grnd Drv STL	162	873680400 Nut Crownlock 1/4-20 Unc
49	532123205 Retainer, Belt	163	874780416 Bolt Hex Fin 1/4-20 Unc x 1 Gr 5
50	874760624 Bolt	164	819091010 Washer 5/8 x .281 x 10 Ga
51	873680600 Nut	165	532165623 Bracket Pivot Lever
52	873680500 Nut Crownlock 5/16-18 UNC	166	532166880 Screw 5/16-18 x 5/8
53	532105710 Link, Clutch	168	532165492 Bolt Shoulder 5/16-18 x .561
55	532105709 Spring, Return, Clutch	169	532165580 Plate Fastening Lt
56	874760620 Bolt Fin Hex 3/8-16 x 1-1/4	197	<b>532169613</b> Nyliner Snap-In 5/8" ID
57	531013140 V-Belt, Ground Drive	198	<b>532169593</b> Washer Nyl 7/8 ID x .105" Hyd
59	<b>532169691</b> Keeper, Center Span	199	<b>532169612</b> Bolt Shoulder 5/16-18 Unc
61	<b>817060612</b> Screw 3/8-16 x 3/4	200	<b>872140508</b> Bolt Rdhd Sqnk 5/16-18 Unc x 1
62	532124872 Cover, Pedal	202	<b>872110612</b> Bolt Carr Sh 3/8-16 x 1-1/2

**NOTE:** All component dimensions given in U.S. inches  
1 inch = 25.4 mm

# REPAIR PARTS

TRACTOR - MODEL NO. LT15A (J15H42E), PRODUCT NO. 954 13 00-37

## STEERING ASSEMBLY





# REPAIR PARTS

TRACTOR - MODEL NO. LT15A (J15H42E), PRODUCT NO. 954 13 00-37

## STEERING ASSEMBLY

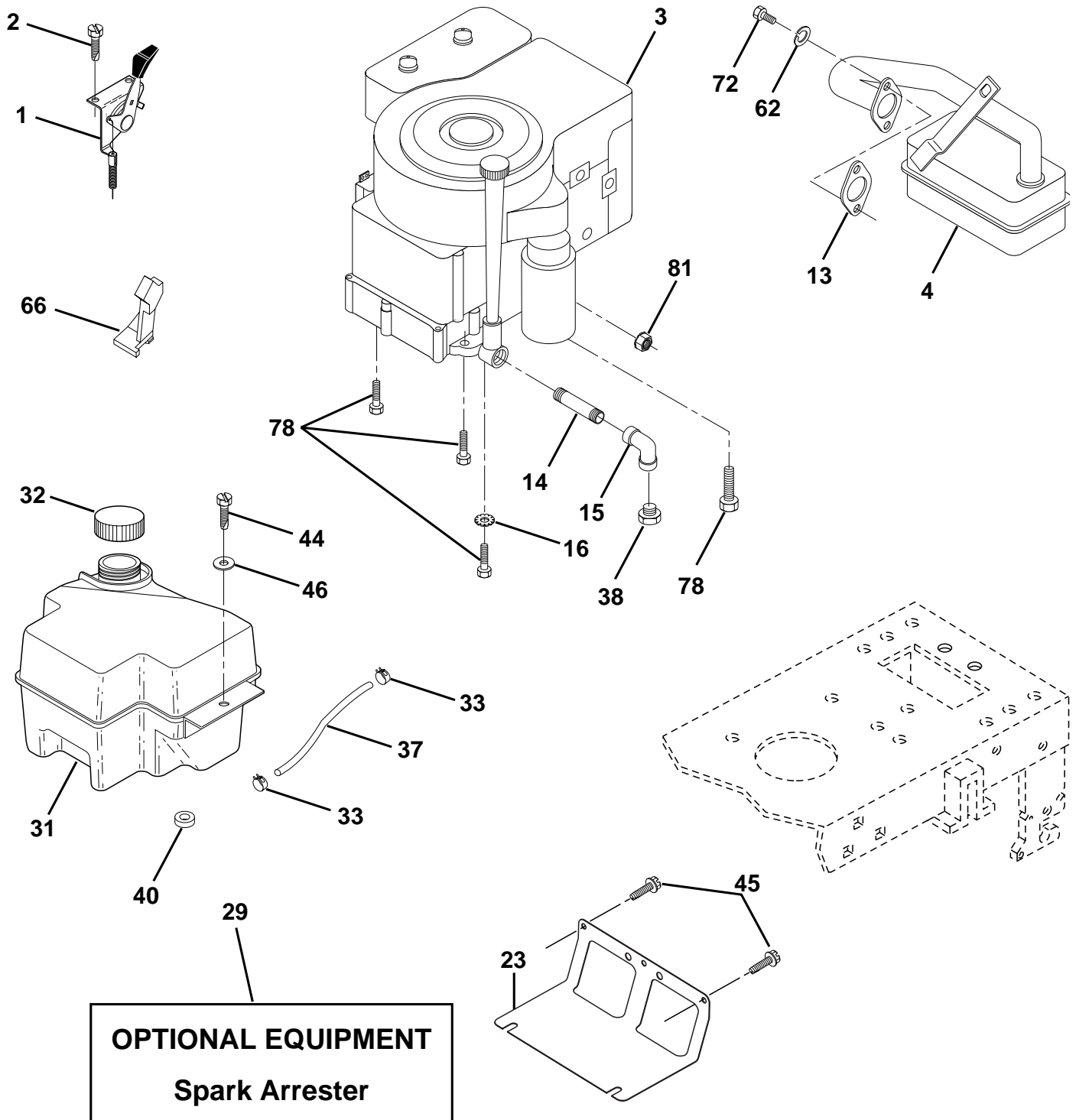
KEY NO.	PART NO.	DESCRIPTION
1	<b>532172092</b>	Wheel Steering
2	532154427	Axle Asm STMP Dropped STL
3	<b>532169840</b>	Spindle Asm LH
4	<b>532169839</b>	Spindle Asm RH
5	532124931	Bearing Race Thrust Harden
6	532121748	Washer 25/32 X 1-5/8 X 16 Ga
7	819272016	Washer 27/32 X 1-1/4 X 16 Ga
8	812000029	Ring Klip #t5304-75
9	532124937	Bearing Col Strg Blk
10	<b>532169832</b>	Link Drag
11	810040600	Washer Lock Hvy Hlcl Spr 3/8
13	<b>532136518</b>	Spacer Brg Axle Front
15	<b>532145212</b>	Nut Hex Flange Lock
17	532156546	Shaft Asm Strg
18	532057079	Washer Thrust 515x 750x 033
19	532160395	Support Shaft
22	532165857	Screw Hex Wsh hd Torx
23	532165851	Shaft Asm Pittman
25	532154406	Bracket Steering
26	532126847	Bushing Link Drag
27	532136874	Gear Sector
28	819131416	Washer 13/32 X 7/8 X 16ga.
29	<b>817060612</b>	Screw 3/8-16x3/4
30	876020412	Pin Cotter 1/8 X 3/4 Cad.
32	532130465	Rod Tie
36	532155099	Bushing Strg
37	532152927	Screw
38	<b>532172093</b>	Insert Cap Strg Wh
39	<b>819132411</b>	Washer 13/32 X 1-1/20 x 11 Ga
40	532124701	Lock nut
41	<b>532159945</b>	Adaptor Wheel Strg
42	<b>532169633</b>	Boot Steering Shaft
43	532121749	Washer 25/32 X 1 1/4 X 16 Ga
44	532153720	Extension Steering Shaft LR/LT
46	532121232	Cap Spindle Fr Top Blk
47	532124836	Fitting Grease
51	873800500	Nut Lock Hex w/Ins 5/16-18
54	874780520	Bolt Fin Hex 5/16-18 Unc x 1-1/4
62	532167902	Kit, Steering Assembly Svc
63	874780616	Bolt Fin Hex 3/8-16unc x 1 Gr. 5
65	<b>532160367</b>	Spacer Brace Axle
66	532154404	Bearing Arm Pittman
67	<b>872110618</b>	Bolt Rdhd Sqnk 3/8-16 x 2-1/4
68	<b>532169827</b>	Axle, Brace
79	819132012	Washer 13/32 x 1-1/4 x 12 Ga
80	874950612	Bolt Hex Nylon 3/8-16 x 3/4
82	<b>532169835</b>	Bracket Susp Chassis Front
85	<b>532133835</b>	Fastner Christmas Tree

**NOTE:** All component dimensions given in U.S. inches.  
1 inch = 25.4 mm.

# REPAIR PARTS

TRACTOR - MODEL NO. LT15A (J15H42E), PRODUCT NO. 954 13 00-37

## ENGINE



# REPAIR PARTS

TRACTOR - MODEL NO. LT15A (J15H42E), PRODUCT NO. 954 13 00-37

## ENGINE

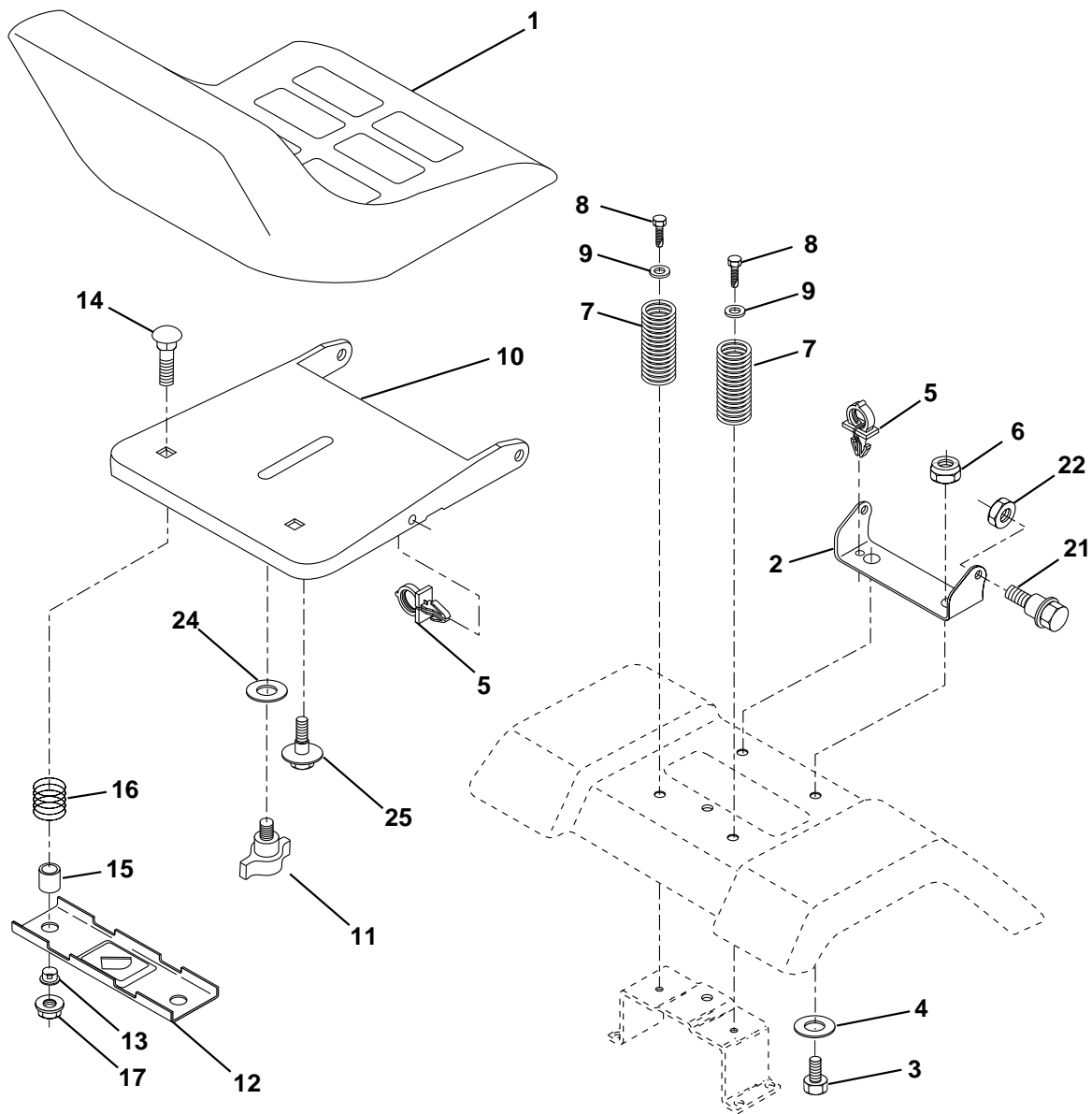
KEY NO.	PART NO.	DESCRIPTION
1	532141359	Control Th/ch 20.22 LH Flag
2	817720410	Screw Hex Thd Cut 1/4-20x5/8 T
3	-----	Engine B&S Model No. <b>287707</b> Order parts from engine manufacturer
4	<b>532137352</b>	Muffler LT B&S
13	532165291	Gasket
14	813280324	Nipple Pipe 3/8 Npt X 3"
15	813200300	Elbow Std 90 Degree 3/8-18 Npt
16	811050600	Washer Lock Ext Tooth 3/8
23	<b>532169837</b>	Shield Brn/Dbr Guard
29	532137180	Kit Spark Arrestor (Flat Scrn)
31	532161911	Tank Fuel Front 2 00
32	532140527	Cap Asm Fuel W/sym Vented
33	532123487	Clamp Hose Black
37	532137040	Line Fuel 20"
38	-----	Plug Oil Drain (Order From Engine Manufacturer)
40	532124028	Bushing Snap Nyl Blk Fuel Line
44	817490412	Screw Hexwsh Thdrol 1/4-20x3/4
45	<b>817060612</b>	Screw 3/8-16 x 3/4
46	819091416	Washer 9/32 X 7/8 X 16 Ga
62	810040500	Washer Lock Hvy Hlcl Spr 5/16
66	532127951	Stop Throttle 3000 RPM
72	871070512	Screw Hexhd Cap 5/16-18x 3/4
78	<b>817060620</b>	Screw 3/8-16x1-1/4
81	532128861	Nut Flange 1/4-20 Starter Nut

**NOTE:** All component dimensions given in U.S. inches  
1 inch = 25.4 mm

# REPAIR PARTS

TRACTOR - MODEL NO. LT15A (J15H42E), PRODUCT NO. 954 13 00-37

## SEAT ASSEMBLY



### KEY PART NO. NO.

### DESCRIPTION

1	532140117	Seat
2	532140551	Bracket Pivot Seat 8 720
3	<b>871110616</b>	Bolt Fin Hex 3/8-16unc X 1
4	819131610	Washer 13/32 X 1 X 10 Ga
5	532145006	Clip Push-In
6	873800600	Nut Hex w/Ins. 3/8-16 Unc
7	532124181	Spring Seat Cprsn 2 250 Blk Zi
8	<b>817000616</b>	Screw 3/8-16 X 1-1/2
9	819131614	Washer 13/32 X 1 X 14 Ga.
10	532155925	Pan Seat
11	532166369	Knob Seat
12	532121246	Bracket Mounting Switch

### KEY PART NO. NO.

### DESCRIPTION

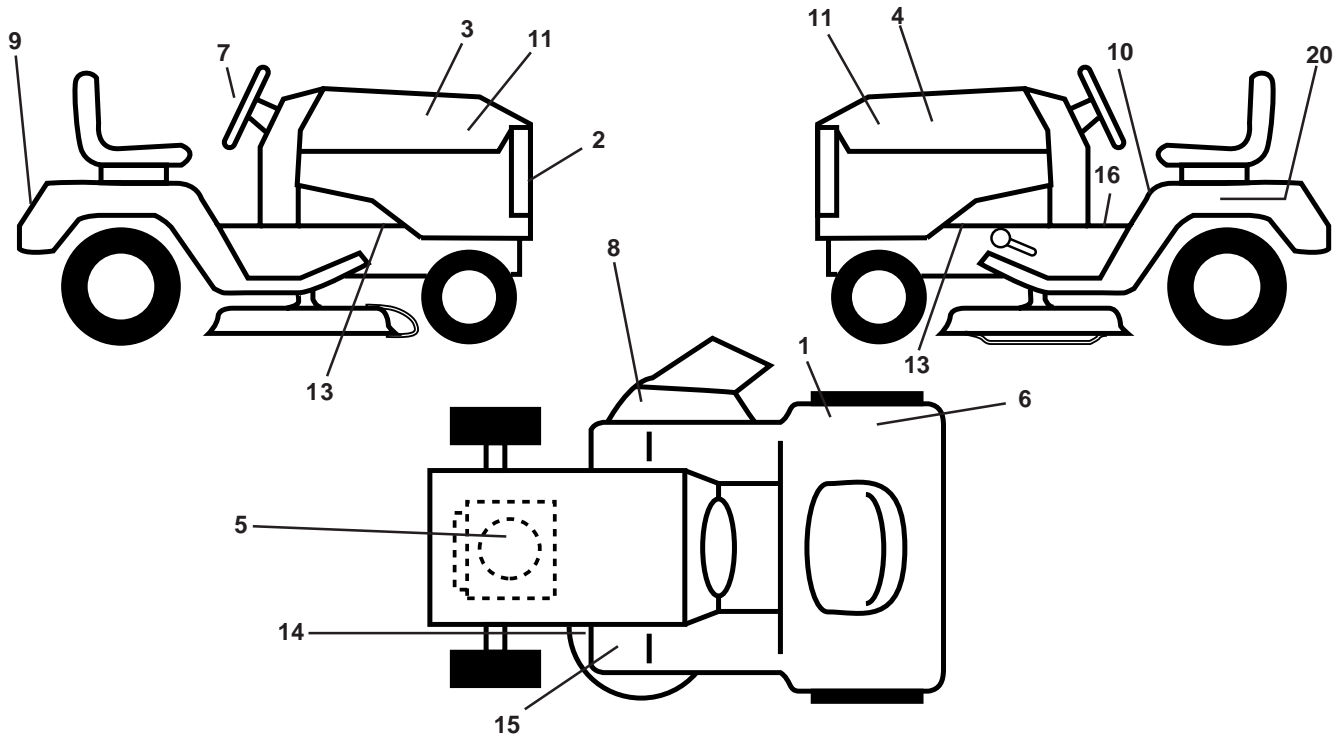
13	532121248	Bushing Snap Blk Nyl 50 Id
14	872050412	Bolt Rdhd Sqnk 1/4-20x1-1/2
15	532134300	Spacer Split 28x96 Yel Zinc
16	532121250	Spring Cprsn 1 327 Blk Pnt
17	532123976	Nut Lock 1/4 Lge Flg Gr 5 Zinc
21	<b>532171852</b>	Bolt Shoulder 5/16-18 Unc
22	873800500	Nut Hex Lock W/Ins 5/16-18
24	819171912	Washer 17/32 X 1-3/16 X 12 Ga.
25	532127018	Bolt Shoulder 5/16-18 X 62

**NOTE:** All component dimensions given in U.S. inches.  
1 inch = 25.4 mm

# REPAIR PARTS

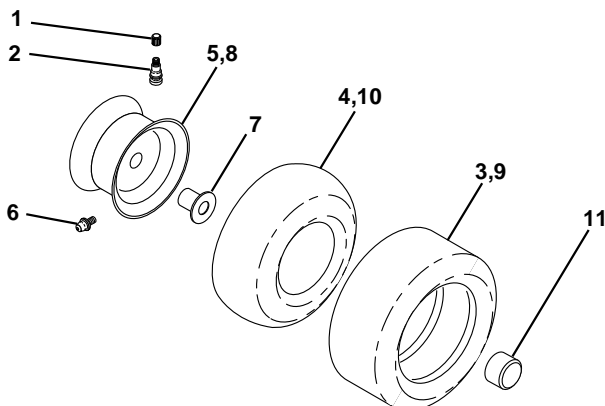
TRACTOR - MODEL NO. LT15A (J15H42E), PRODUCT NO. 954 13 00-37

## DECALS



KEY NO.	PART NO.	DESCRIPTION	KEY NO.	PART NO.	DESCRIPTION
1	532126187	Decal 100 DBA	14	532160396	Decal V-Belt Schematic
2	532152262	Decal Grille Jonsered Sweden	15	532159737	Decal Brake/Clutch Symbol Lt
3	<b>532170704</b>	Decal Hood RH	16	532140837	Decal Saddle Brake Parking
4	<b>532170705</b>	Decal Hood LH	20	532145005	Decal Bat Dan/Psn
5	<b>532170846</b>	Decal HP Engine	--	<b>532171284</b>	Pad Footrest LH STLT
6	532145437	Decal Europe Stand CE	--	<b>532171285</b>	Pad Footrest RH STLT
7	<b>532170565</b>	Decal, Ins. Strg Whl. Jons.	--	532138311	Decal Handle Lift Height Adjust
8	532145494	Decal Mower Cutfinger	--	<b>532169210</b>	Decal By Pass Lt Hydro
9	532141761	Decal Fender Jonsered	--	532162598	Decal Drawbar Load Limit
10	532145498	Decal Read Owner's Manual Syms.	--	<b>532171486</b>	Manual Operator's (Euro.)
11	532162927	Decal Hood Insert	--	<b>532171487</b>	Manual Operator's (Scan.)
13	532159736	Decal Chassis Hot Muffler			

## WHEELS & TIRES



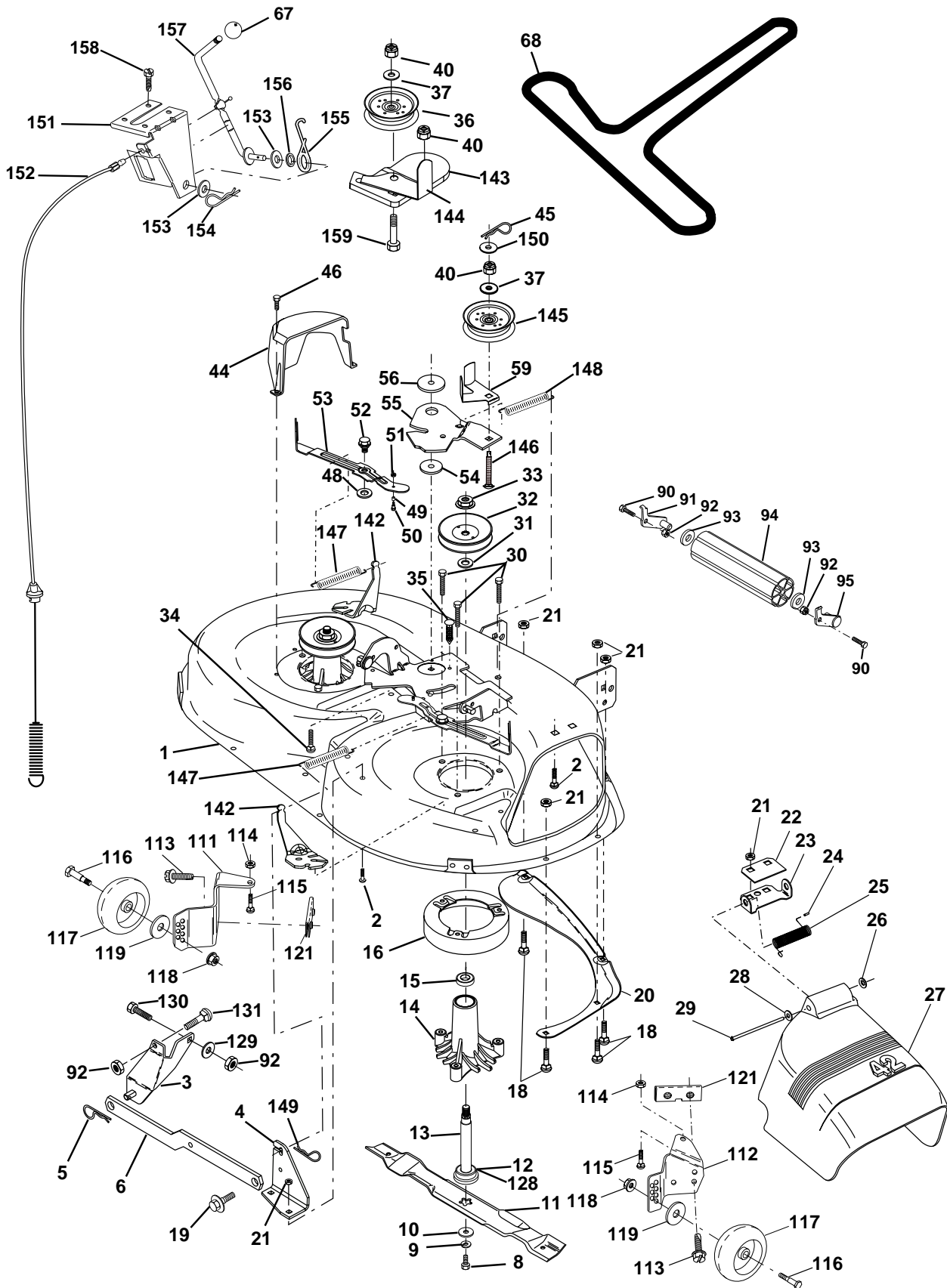
KEY NO.	PART NO.	DESCRIPTION
1	532059192	Cap Valve Tire
2	532065139	Stem Valve
3	532106222	Tire F Ts 15 X 6 0 - 6 Service
4	532059904	Tube Front (Service Item Only)
5	532138336	Rim Asm 6"front Silver Service
6	532124957	Fitting Grease (Front Wheel Only)
7	532124959	Bearing Flange (Front Wheel Only)
8	532138337	Rim Asm 8"rear Silver Service
9	532122082	Tire R Ts 20x10-8 C Service
10	532124926	Tube Rear (Service Item Only)
11	532104757	Cap Axle Blk 1 50 X 1 00
--	532144334	Sealant, Tire ( 10 oz. Tube)

**NOTE:** All component dimensions given in U.S. inches  
1 inch = 25.4 mm

# REPAIR PARTS

TRACTOR - MODEL NO. LT15A (J15H42E), PRODUCT NO. 954 13 00-37

## MOWER DECK



# REPAIR PARTS

TRACTOR - MODEL NO. LT15A (J15H42E), PRODUCT NO. 954 13 00-37

## MOWER DECK

KEY NO.	PART NO.	DESCRIPTION	KEY NO.	PART NO.	DESCRIPTION
1	<b>532165892</b>	Housing Asm Mower	67	<b>532106932</b>	Knob Rd 3/8-16 Plstc Thds Blk
2	872140506	Bolt Rdhd Sqnk 5/16-18unc X3/4	68	<b>532144959</b>	V-Belt Mower
3	532138017	Bracket Asm Fr Sway Bar 38/42	90	874760616	Bolt Fin Hex 3/8-16unc X 1
4	<b>532165460</b>	Bracket Asm Deck 42"sway Bar	91	532132274	Bracket Asm Noseroller LH
5	532124670	Retainer Spring	92	873800600	Nut Lock Hex w/ins. 3/8-16 UNC
6	532130832	Arm Suspension Rear	93	819171416	Washer 17/32 X 7/8 X 16 Ga
8	532850857	Bolt 3/8-24x1 25 Gr8 Patched	94	532132264	Roller Nose 38 & 42
9	810030600	Washer Lock Hvy 3/8 Unplated	95	532132273	Bracket Asm Noseroller RH
10	532140296	Washer Hard Blade Mower Vented	111	532155197	Bracket Gauge Wheel Lh
11	531013134	Blade Mower High Lift"	112	532155198	Bracket Gauge Wheel Rh
12	532129895	Bearing Ball #6204 (Mandrel)	113	<b>817060512</b>	Screw 5/16-18 x 3/4
13	532137645	Shaft Asm W/lower Bearing	114	873510500	Nut Keps 5/16-18 UNC
14	532128774	Housing Mandrel Vented(machd)	115	872110504	Bolt Carriage 5/16-18unc x 1/2
15	532110485	Bearing Ball Mandrel	116	<b>532124842</b>	Bolt Shoulder
16	532140329	Stripper Round Mower	117	<b>532165746</b>	Wheel Gauge
17	872110610	Bolt Rdhd Sqnk 3/8-16 X 2-1/4	118	873930600	Nut Centerlock 3/8-16 UNC
18	872140505	Bolt Carr 5/16-18 X 5/8	119	819121414	Washer 3/8 x 7/8 x 14 Ga.
19	532132827	Bolt Shoulder	121	532143723	Bracket Extruded Gauge Wheel
20	532159770	Baffle Vortex	128	532153390	Washer Felt
21	873680500	Nut Crown Lock 5/16-18	129	819131312	Washer 13/32 x 13/16 x 12 Ga.
22	532134753	Stiffener Bracket 42"deck	130	874780616	Bolt Fin Hex 3/8-16 UNC x 1 Gr. 5
23	532131267	Bracket Deflector Mower 42"	131	872140608	Bolt Rdhd Sqnk 3/8-16 x 1
24	532105304	Cap Sleeve 80x 112 Blk Mower	142	<b>532165890</b>	Arm Spring Brake Mower
25	532123713	Spring Torsion Deflector 2 52	143	<b>532157109</b>	Bracket Arm Idler 42"
26	532110452	Nut Push Phos & Oil	144	<b>532158634</b>	Keeper Belt 42" Clutch Cable
27	<b>532171859</b>	Shield Deflector	145	<b>532165888</b>	Pulley Idler Flat
28	819111016	Washer 11/32 X 5/8 X 16 Ga	146	<b>532165891</b>	Bolt Carriage Idler
29	532131491	Rod Hinge 42"6 75 Wlg	147	<b>532131335</b>	Spring Extension
30	532157722	Screw Thdrol Washer Head	148	<b>532169022</b>	Spring Return Idler
31	532129963	Washer Spacer Mower Vented	149	<b>532165898</b>	Retainer Spring Yellow
32	532153535	Pulley Mandrel	150	<b>819091216</b>	Washer 9/32 x 3/4 x 16 Ga.
33	532137266	Nut 9/16top Lock Fing Cntr	151	<b>532169670</b>	Bracket Clutch Cable
34	872110614	Bolt RDHD 3/8-16 UNC x 2-3/4 Gr.5	152	<b>532169676</b>	Clutch Cable 42"
35	532133835	Fastner Christmas Tree	153	<b>532169674</b>	Washer Flat 3/8" Type B
36	532131494	Pulley Idler Flat 3 060	154	<b>532169675</b>	Spring Retainer
37	819131316	Washer 13/32 X 13/16 X 16 Ga	155	<b>532169671</b>	Spring Retention Lvr Cltch Cab
40	873680600	Nut Lock 3/8-16 Unc	156	<b>532169672</b>	Spacer Clutch Cable
44	532140088	Guard Mandrel LH Black	157	<b>532169669</b>	Rod Clutch Cable 3/8"
45	532124788	Spring Retainer 1" Zinc/cad	158	<b>817720410</b>	Screw Hex Thd Cut 1/4-20 x 5/8
46	532137729	Screw Thdrol 1/4-20x5/8	159	<b>872140614</b>	Bolt Rdhd Sqn 3/8-16 Unc x 1-3/4
48	532133944	Washer Hardened Samllr	--	<b>532171491</b>	Deck Serv 42" (Standard Deck - Order Nose Roller, Gauge Wheel and Mulcher Plate components separately Key Nos. 90-95, 101-106 and 111-121)
49	532155066	Roller Asm Cam Follower 42" dec	--	532130794	Mandrel Assembly (Includes Key Numbers 8-10, 12-15, 31 and 33)
50	532131340	Bolt Shldr 10-24 Zinc Gr 5 42"			
51	532069180	Nut Lock #10-24 Unc			
52	532139888	Bolt Shoulder 5/16-18 Unc Blkz			
53	532131845	Arm Asm Pad Brake			
54	532133943	Washer Hardened			
55	532155046	Arm Idler 42"mower LT/YT			
56	<b>532165723</b>	Spacer Retainer Mower			
59	532141043	Guard, Belt			

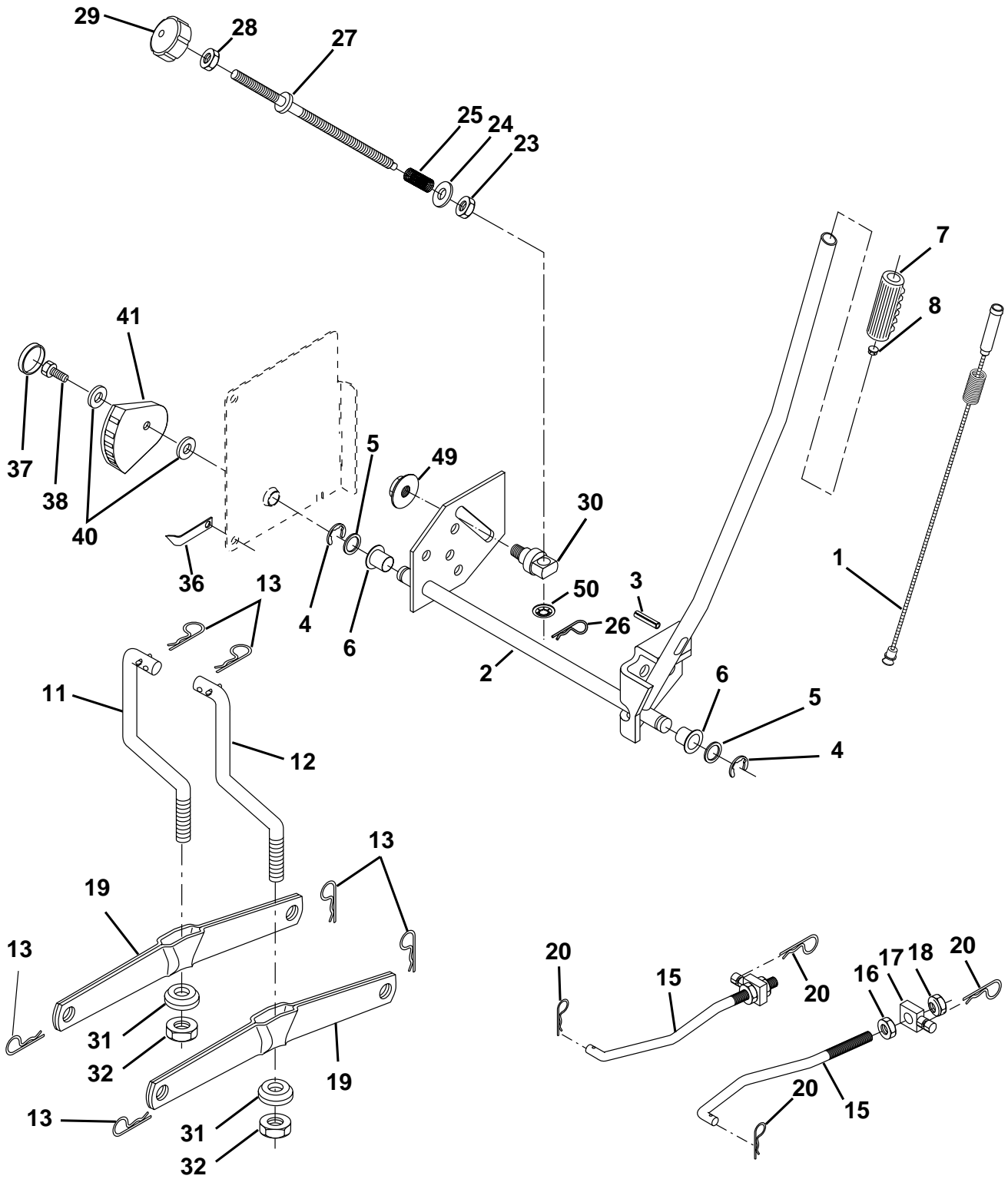
**NOTE:** All component dimensions given in U.S. inches  
1 inch = 25.4 mm



# REPAIR PARTS

TRACTOR - MODEL NO. LT15A (J15H42E), PRODUCT NO. 954 13 00-37

## MOWER LIFT





# REPAIR PARTS

TRACTOR - MODEL NO. LT15A (J15H42E), PRODUCT NO. 954 13 00-37

## MOWER LIFT

KEY NO.	PART NO.	DESCRIPTION
1	532159460	Wire Asm Inner W/plunger
2	532159471	Shaft Asm Lift RH
3	532105767	Pin Groove 1 500 Zinc
4	812000002	E Ring #5133-62
5	819211621	Washer 21/32 X 1 X 21 Ga
6	532120183	Bearing Nylon Blk 629 Id
7	532125631	Grip Handle Flute Blk.
8	<b>532122365</b>	Button Plunger
11	532139865	Link Lift LH Fixed Length
12	532139866	Link Lift RH Fixed Length
13	532124670	Retainer Spring
15	<b>532167253</b>	Link Front
16	873350800	Nut Jam Hex 1/2-13 Unc
17	532130171	Trunnion Blk Zinc
18	<b>873800800</b>	Nut Lock w/wsh 1/2-13 Unc
19	532139868	Arm Suspension Rear
20	532163552	Retainer Spring
23	532110807	Nut Special
24	819131016	Washer 13/32 X 5/8 X 16 Ga
25	532124874	Spring 2-1/8"
26	<b>532169484</b>	Retainer Clip
27	532126971	Rod Adj Lift Zinc 7.49 Wrk Lg
28	873350600	Nut Hex Jam 3/8-16 Unc
29	532138057	Knob Inf 3/8-16 Unc Blk W/sym
30	532150233	Trunnion Dp Stop Dbl Thds PLT
31	532140302	Bearing Pvt Lift Spherical
32	873540600	Nut Crownlock 3/8-24
36	532155097	Pointer Pnt Height ind .505
37	532123935	Plug Hole Blk 1.485/1.515 Dia.
38	<b>817060516</b>	Screw 5/16-18 x 1
40	819112410	Washer 11/32 x 1-1/2 10 Ga.
41	532155098	Scale Ind. Height Blk.
49	532145212	Nut Hex Flange Lock
50	532110452	Nut Push Phos & Oil

**NOTE:** All component dimensions given in U.S. inches  
1 inch = 25.4 mm