

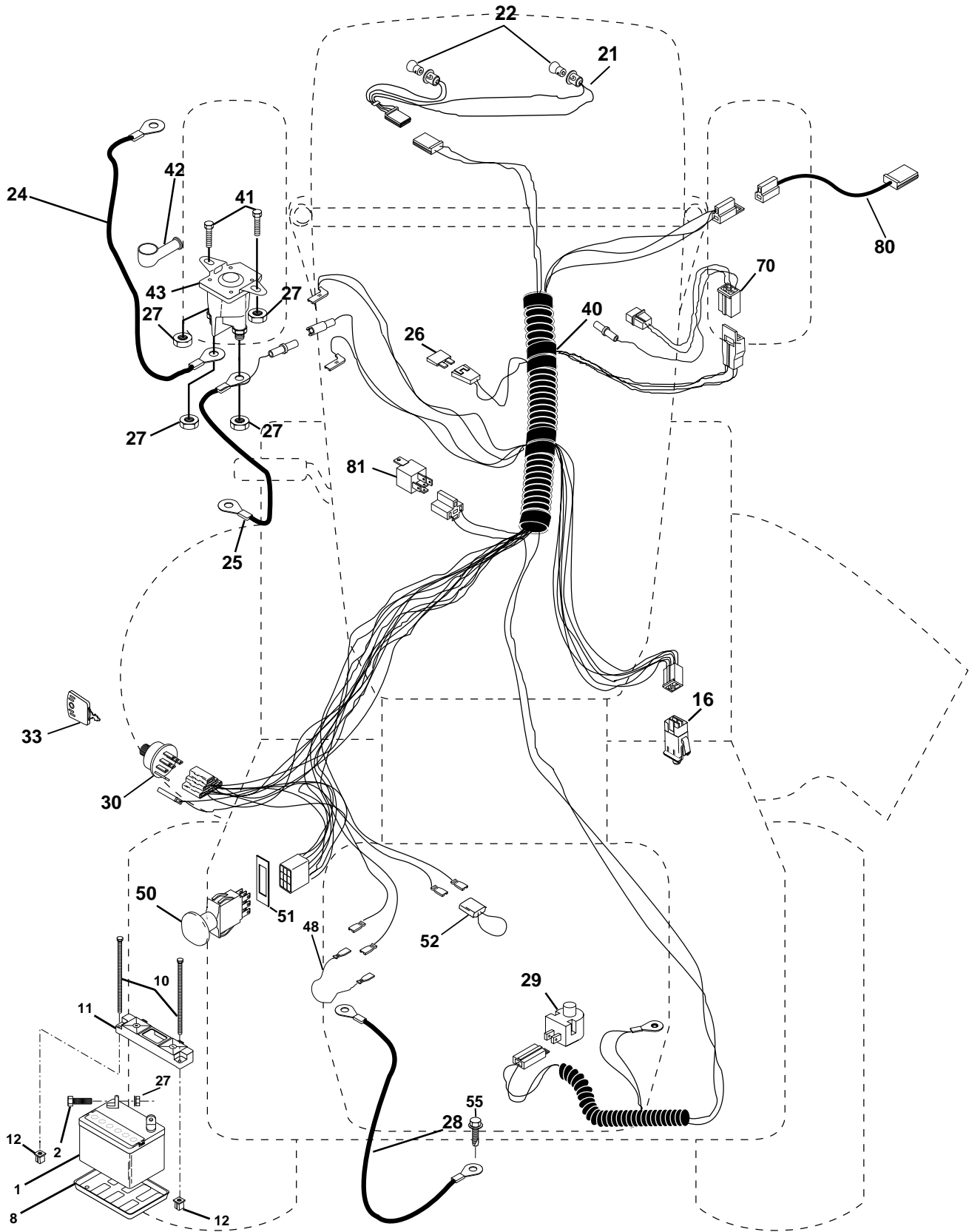
# LT18A

**Spare parts**  
**Ersatzteile**  
**Pièces détachées**  
**Reserve onderdelen**  
**Repuestos**  
**Reservdelar**

# REPAIR PARTS

TRACTOR - - MODEL NUMBER LT18A (J18H46E), PRODUCT NO. 954 13 00-26

## ELECTRICAL



# REPAIR PARTS

TRACTOR - - MODEL NUMBER LT18A (J18H46E), PRODUCT NO. 954 13 00-26

## ELECTRICAL

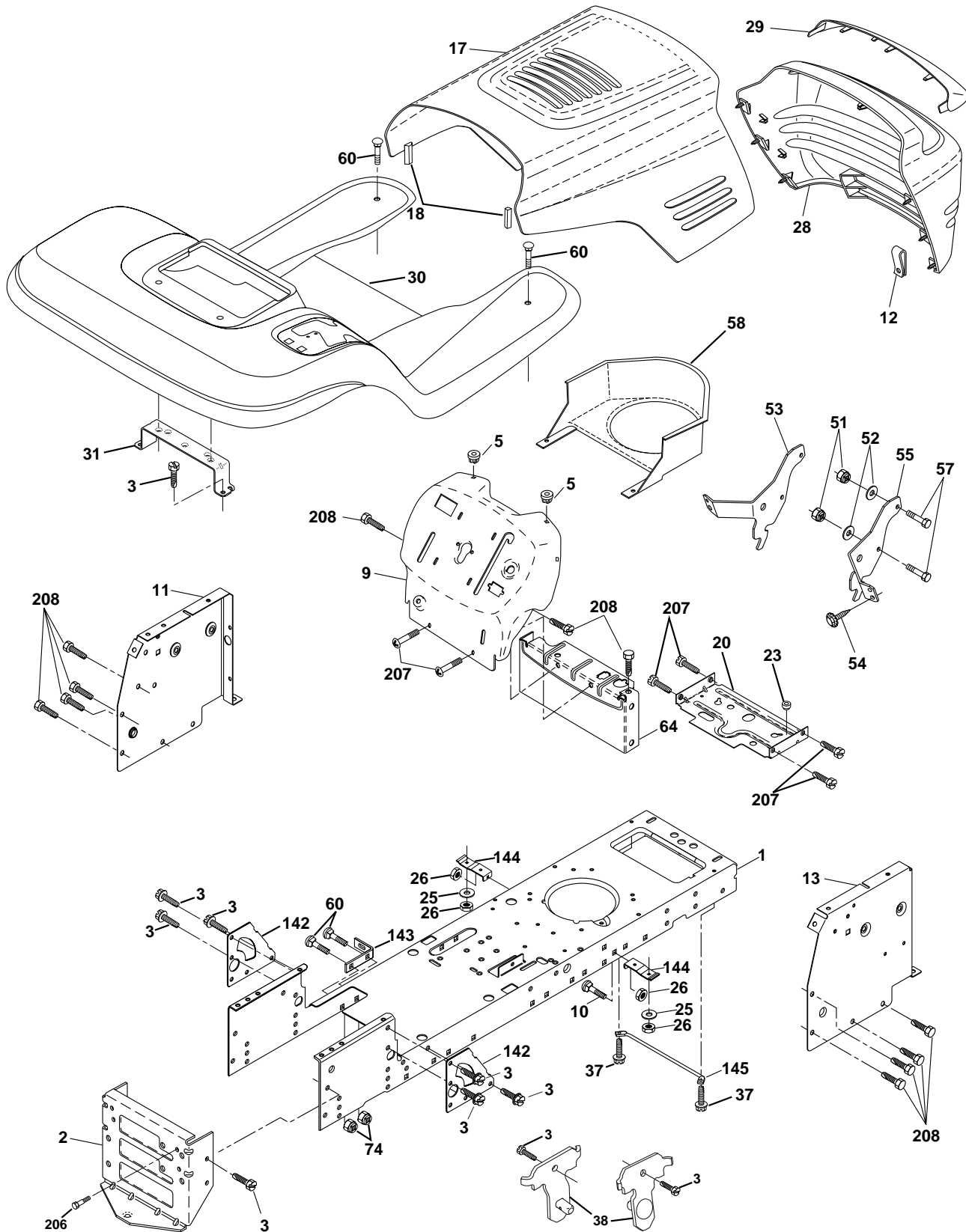
KEY NO.	PART NO.	DESCRIPTION
1	532163465	Battery 12 Volt 28 AMP
2	874760412	Bolt Hex Hd 1/4-20unc X 3/4
8	532124886	Tray Brty 7.80 x 5.25 Blk
10	532145211	Bolt Btr Frt 1/4-20 x 7.5 zinc
11	532150109	Holddown Battery mount
12	532145769	Nut Push Nylon 1/4 Battery Frt.
16	532153664	Switch Interlock Push-In
21	532166182	Harness Asm Light W/4152j
22	532004152	Bulb Light #1156
24	532124780	Cable Battery 6 Ga 11" red
25	532146148	Cable Battery 6 Ga 22" w/16W
26	532166180	Fuse 15 AMP
27	873510400	Nut Keps Hex 1/4-20 Unc
28	532145491	Cable Ground 21" Blk 6 Ga 90T
29	532160784	Switch Plunger Normal OP Olive
30	<b>532163968</b>	Switch Ign
33	<b>532140401</b>	Key Ign
40	<b>532170222</b>	Harness Ign.
41	871110408	Bolt Blk Fin Hex 1/4 - 20 x 1/2
42	532131563	Cover Terminal Red
43	532145673	Solenoid
48	<b>532140844</b>	Adapter Ammeter Rectangular
50	<b>532169417</b>	Switch PTO 3 PTD Black
51	532140405	Ring Retainer PTO
52	532141940	Protection Wire Loop
55	817490508	Screw Thdrol 5/16-18 x 1/2 Typ
70	<b>532170247</b>	Harness, Eng.
80	532146685	Harness Clutch EVX
81	532109748	Relay ASM

**NOTE:** All component dimensions given in U.S. inches  
1 inch = 25.4 mm.

# REPAIR PARTS

TRACTOR - - MODEL NUMBER LT18A (J18H46E), PRODUCT NO. 954 13 00-26

## CHASSIS AND ENCLOSURES



# REPAIR PARTS

TRACTOR - - MODEL NUMBER LT18A (J18H46E), PRODUCT NO. 954 13 00-26

## CHASSIS AND ENCLOSURES

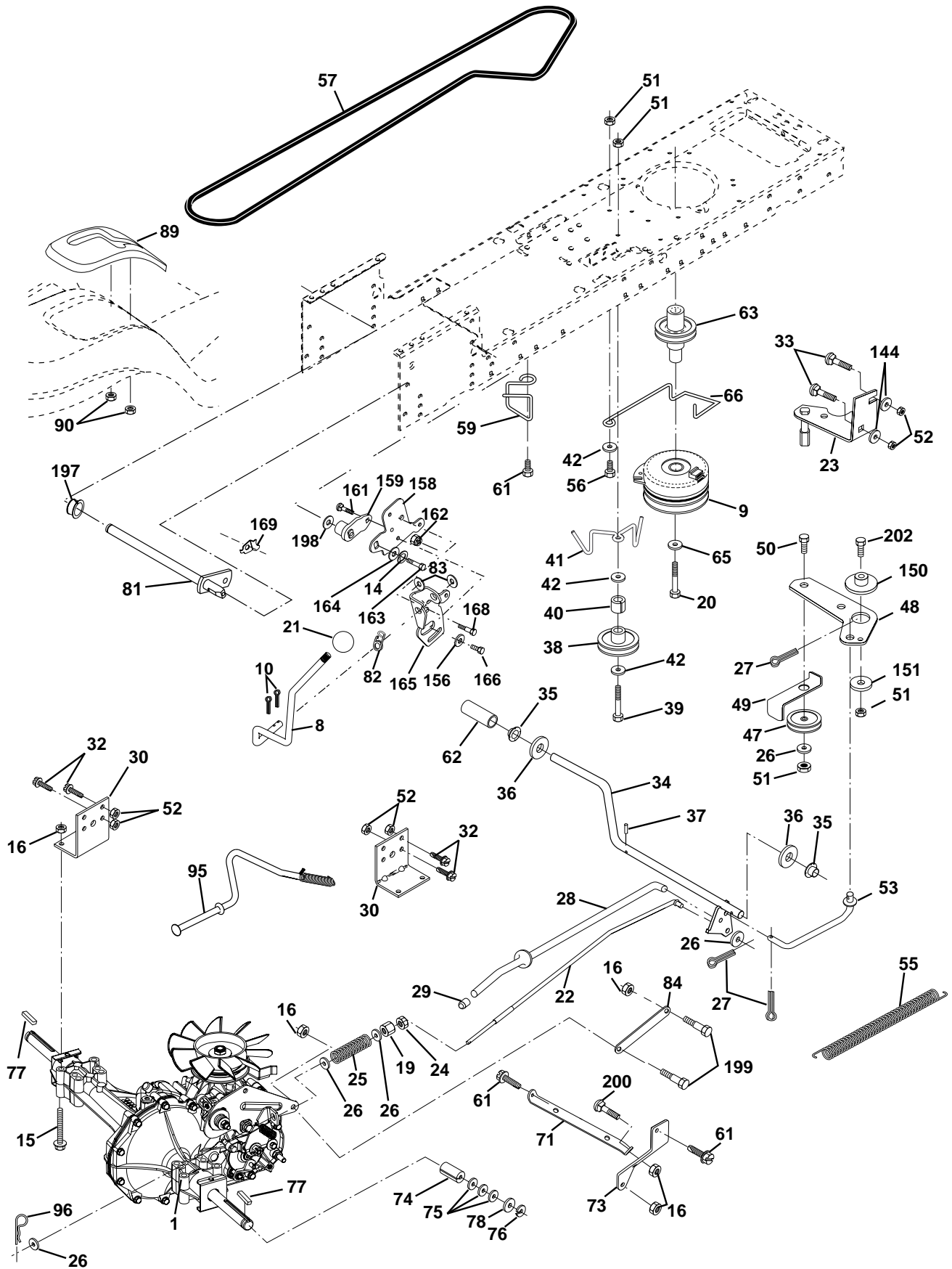
KEY NO.	PART NO.	DESCRIPTION
1	<b>532169830</b>	Chassis
2	<b>532169061</b>	Drawbar
3	<b>817060612</b>	Screw 3/8-16x3/4
5	532155272	Bumper Hood/Dash
9	<b>532172294</b>	Dash SLKSCR
10	872140608	Bolt Carriage 3/8-16 x 1
11	532155927	Panel Pnt Dash Lh
12	532145660	Clip, Tinnerman Grille P/L
13	<b>532169118</b>	Panel AsmDash Rh
17	532150760	Hood
18	532126938	BumperHood
20	532156437	Plate Mtg Battery/Fuel tank fr
23	532124028	Bushing Snap Nyl Blk Fuel Line
25	819131312	Washer 13/32 X 13/16 X 12 Ga
26	873800600	Nut Lock Hex W/Ins 3/8-16 Unc
28	<b>532172170</b>	Grille w/Clips
29	532166603	Lens
30	<b>532172157</b>	Fender
31	532139976	Bracket Pnt Fender
37	817490508	Screw Thdrol 5/16-18 x 1/2
38	<b>532169834</b>	Bracket, Asm. Pivot, Mower Rear
51	873800400	Nut Lock Hex W/Ins 1/4-20
52	819091416	Washer 9/32 x 7/8 x 16 Ga.
53	532145201	Bracket Pnt. Pick off
54	532161464	Screw Hex Wshd 8-18 x 7/8
55	532145202	Bracket, Grille Pickoff Rh
57	874780412	Bolt Hex 1/4-20 x 3/4
58	532162266	Duct Air Engine PL/LT
60	872140606	Bolt, Rdhd Sqnk 3/8-16 UNC x 3/4
64	532154798	Dash Lower STLT
74	873680600	Nut, Crownlock 3/8-16 UNC
142	532165867	Plate Reinforcement STLT
143	532154966	Bracket Chassis Swaybar
144	532154207	Bracket Footrest STLT
145	532156524	Rod Pivot Chassis/Hood
206	<b>532170165</b>	Bolt Shoulder 5/16-18 TT
207	<b>817670508</b>	Screw Thdrol 5/16-18 x 1/2
208	<b>817670608</b>	Screw Thdrol 3/8-16 x 1/2
--	<b>532005479</b>	Plug Button

**NOTE:** All component dimensions given in U. S. inches  
1 inch = 25.4 mm

# REPAIR PARTS

TRACTOR - - MODEL NUMBER LT18A (J18H46E), PRODUCT NO. 954 13 00-26

DRIVE



# REPAIR PARTS

TRACTOR - - MODEL NUMBER LT18A (J18H46E), PRODUCT NO. 954 13 00-26

## DRIVE

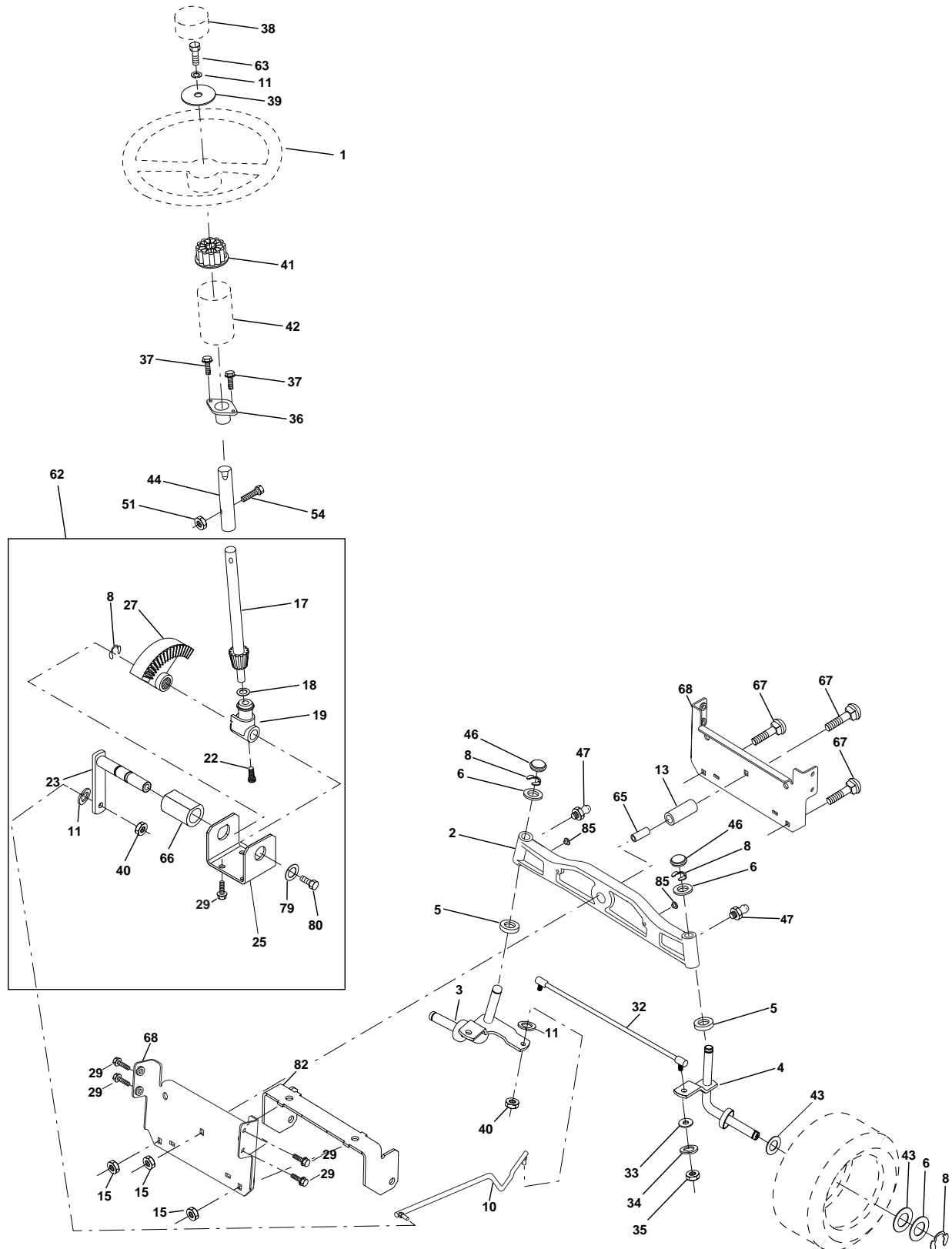
KEY NO.	PART NO.	DESCRIPTION	KEY NO.	PART NO.	DESCRIPTION
1	-----	Transaxle Hydro <b>314-0510</b> Order parts from transaxle manufacturer	59	<b>532169691</b>	Keeper, Center Span
8	532165866	Rod Shft Fender Adjust	61	<b>817060612</b>	Screw 3/8-16 x 3/4
9	532160889	Clutch Electric	62	532124872	Cover, Pedal Premium
10	876020416	Pin Cotter 1/8 x 1 CAD	63	532145868	Pulley, Engine
14	810040400	Washer Lock Hvy Helical	65	810040700	Washer Lock Hvy HLCL Spr 7/16
15	<b>874490544</b>	Bolt Hex Flghd 5/16-18 x Gr 5	66	532154778	Keeper Belt Engine Hydro
16	873800500	Nut Lock Hex W/Ins. 5/16-18 Unc P	73	<b>532169182</b>	Strap Torque Rh Hydro
19	873800600	Nut Lock Hex W/Ins 3/8-16 Unc	71	<b>532169183</b>	Strap Torque Lh Hydro
20	532150280	Bolt, Hex 7/16-20 x 4-1/4 5 Ga 1.38	74	<b>532169496</b>	Spacer, Axle
21	532130564	Knob Deluxe 1/2-13 UNC Blk/Red	75	532121749	Washer 25/32 x 1-1/4 x 16 Ga.
22	<b>532169498</b>	Rod, Brake Hydro	76	812000001	E-Ring
23	<b>532171258</b>	Bracket Asm Anti-Rot	77	532123583	Key, Square
24	873350600	Nut Hex Jam 3/8-16 UNC	78	532121748	Washer 25/32 x 1-5/8 x 16 Ga
25	532106888	Spring, Brake Rod	81	<b>532165596</b>	Shaft Asm Cross Tapered
26	819131316	Washer	82	532165711	Spring Torsion T/A
27	876020412	Pin Cotter 1/8 x 3/4 CAD.	83	819171216	Washer 17/32 x 3/4 x 16 Ga.
28	532145204	Rod, Parking Brake	84	<b>532169594</b>	Link Transaxle
29	532071673	Cap, Parking Brake	89	532166602	Console, Hydro Shift STLT
30	<b>532169592</b>	Bracket, Transaxle	90	532124346	Nut Self Thd Wsh-Hd 1/4 Zinc
32	874760512	Bolt Hex Hd 5/16-18 Unc x 3/4	95	<b>532170201</b>	Control Asm. Bypass Hydro
33	872140506	Bolt Carriage 5/16-18 UNC x 3/4	96	532124788	Retainer Spring 1" Zinc/Cad
34	532155071	Shaft, Foot Pedal	144	<b>819111016</b>	Washer 11/32 x 5/8 x 16 Ga
35	532120183	Bearing, Nylon	150	532165850	Bushing Bellcrank Grd Drive
36	819211616	Washer	151	819133210	Washer 13/32 x 2 x 10 Ga
37	532124963	Pin, Roll	156	532166002	Washer Srrted 5/16 ID x 1.125
38	532131494	Pulley, Idler, Flat	158	532165589	Bracket Shift Mount
39	<b>872110622</b>	Bolt	159	532165494	Hub Tapered Flange Shift
40	532124965	Spacer Split	161	872140406	Bolt Rdhd Sqnk 1/4-20 x 3/4 Gr 5
41	532165838	Keeper, Belt Idler	162	873680400	Nut Crownlock 1/4-20 Unc
42	819131312	Washer 13/32 x 13/16 x 12 Ga	163	874780416	Bolt Hex Fin 1/4-20 Unc x 1 Gr 5
47	532127783	Pulley, Idler, V-Groove Plastic	164	819091010	Washer 5/8 x .281 x 10 Ga
48	532154407	Bellcrank Clutch Grnd Drv STL	165	532165623	Bracket Pivot Lever
49	532123205	Retainer, Belt Style Spring	166	532166880	Screw 5/16-18 x 5/8
50	874760624	Bolt	168	532165492	Bolt Shoulder 5/16-18 x .561
51	873680600	Nut	169	532165580	Plate Fastening
52	873680500	Nut Crown Lock 5/16-18	197	<b>532169613</b>	Nyliner Snap-In 5/8" ID
53	532105710	Link, Clutch	198	<b>532169593</b>	Washer Nyl 7/8 ID x .105
55	532105709	Spring, Return, Clutch	199	<b>532169612</b>	Bolt Shoulder 5/16-18unc
56	874760620	Bolt, Fin Hex 3/8-16 UNC x 1 1/4	200	<b>872140508</b>	Bolt Rdhd Sqnk 5/8-16unc x 1
57	531013140	V-Belt, Ground Drive	202	<b>872110612</b>	Bolt Carr Sh 3/8-16 x 1-1/2 Gr 5

**NOTE:** All component dimensions given in U.S. inches  
1 inch = 25.4 mm.

# REPAIR PARTS

TRACTOR - - MODEL NUMBER LT18A (J18H46E), PRODUCT NO. 954 13 00-26

## STEERING ASSEMBLY





# REPAIR PARTS

TRACTOR - - MODEL NUMBER LT18A (J18H46E), PRODUCT NO. 954 13 00-26

## STEERING ASSEMBLY

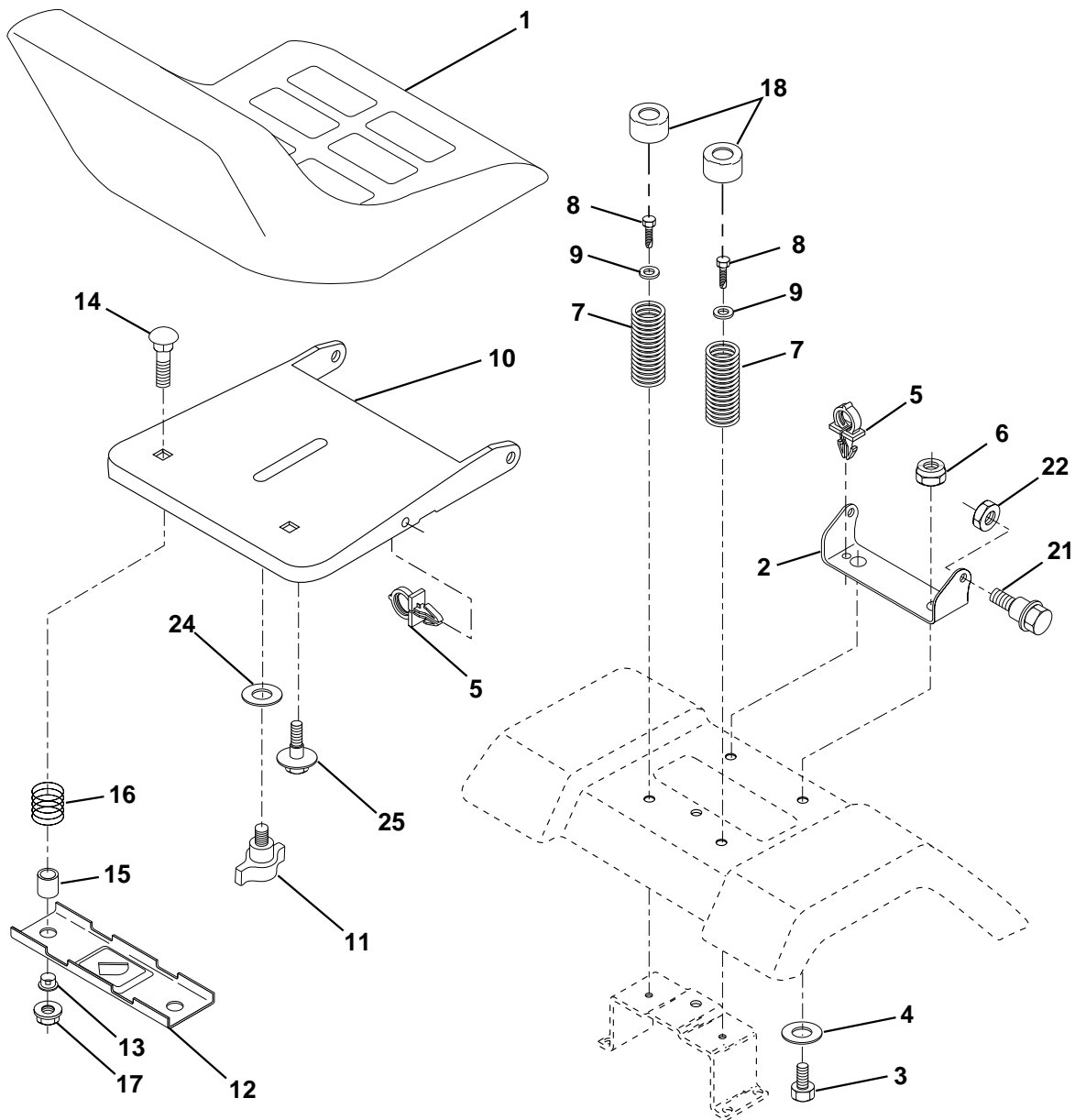
KEY NO.	PART NO.	DESCRIPTION
1	<b>532172092</b>	Wheel Steering
2	<b>532172393</b>	Axle Casting Iron Lt
3	<b>532169840</b>	Spindle Asm LH
4	<b>532169839</b>	Spindle Asm RH
5	532124931	Washer Thrust .75 x 1.230
6	532121748	Washer 25/32 X 1-5/8 X 16 Ga
8	812000029	Ring Klip #t5304-75
10	<b>532169832</b>	Draglink
11	810040600	Washer Lock Hvy Hlcl Spr 3/8
13	<b>532136518</b>	Spacer Bearing Axle Front
15	<b>532145212</b>	Nut Hex Flange Lock
17	532156546	Shaft Asm Strg Private Label
18	532057079	Washer Thrust 515x 750x 033
19	532160395	Support Shaft Steering
22	532165857	Screw Hex Wsh hd Torx
23	532165851	Shaft Asm Pittman
25	532154406	Bracket Steering
27	532136874	Gear Sector
29	<b>817060612</b>	Screw 3/8-16 x 3/4
32	<b>532139929</b>	Rod Asm Tie
33	<b>819111216</b>	Washer 11/32 x 3/4 x 16 Ga.
34	<b>810040500</b>	Washer Lock Hvy HLCL Spr. 5/16
35	<b>873680500</b>	Nut Crown Lock 5/16-18
36	532155099	Bushing Strg
37	532152927	Screw TT #32.5 x 5 x 3/8 Flange
38	<b>532172093</b>	Insert Cap Strg Wh
39	<b>819132411</b>	Washer 13/32 x 1-1/20 x 11 Ga
40	532124701	Nut Lock Center 3/8-24 Unf
41	<b>532159945</b>	Adaptor Wheel Strg
42	<b>532169633</b>	Boot Dash Steering
43	532121749	Washer 25/32 X 1 1/4 X 16 Ga
44	532153720	Extension Steering Non-adjust
46	532121232	Cap Spindle Fr Top Blk
47	532124836	Fitting Grease
51	873800500	Nut Lock Hex W/Ins 5/16-18
54	874780520	Bolt Fin Hex 5/16-18 UNC x 1-1/4
62	532167902	Kit, Steering Assembly
63	874780616	Bolt Fin Hex 3/8-16 UNC x 1 Gr. 5
65	<b>532160367</b>	Spacer Axle Brace
66	532154404	Bearing Arm Pittman
67	<b>872140618</b>	Bolt Rdhd Sqnk 3/8-16unc x 2-1/4
68	<b>532169827</b>	Brace Axle
79	819132012	Washer 13/32 x 1-1/4 x 12 Ga
80	874950612	Bolt Hex Nylon 3/8-16 x 3/4
82	<b>532169835</b>	Bracket Susp Chassis Front
85	<b>532133835</b>	Fastener Christmas Tree

**NOTE:** All component dimensions given in U.S. inches  
1 inch = 25.4 mm.

# REPAIR PARTS

TRACTOR - - MODEL NUMBER LT18A (J18H46E), PRODUCT NO. 954 13 00-26

## SEAT ASSEMBLY



KEY NO.	PART NO.	DESCRIPTION
1	532140118	Seat
2	532140551	Bracket Pivot Seat 8 720
3	<b>871110616</b>	Bolt Hex 3/8-16unc x 1
4	819131610	Washer 13/32 X 1 X 10 Ga
5	532145006	Clip Push-In Hinged
6	873800600	Nut Lock Hex w/Ins. 3/8-16 Unc
7	532124181	Spring Seat Cprsn 2 250 Blk Zi
8	<b>817060616</b>	Screw 3/8-16 X 1-1/2
9	819131614	Washer 13/32 X 1 X 14 Ga
10	532155925	Pan Seat
11	532166369	Knob Seat
12	532121246	Bracket Mounting Switch

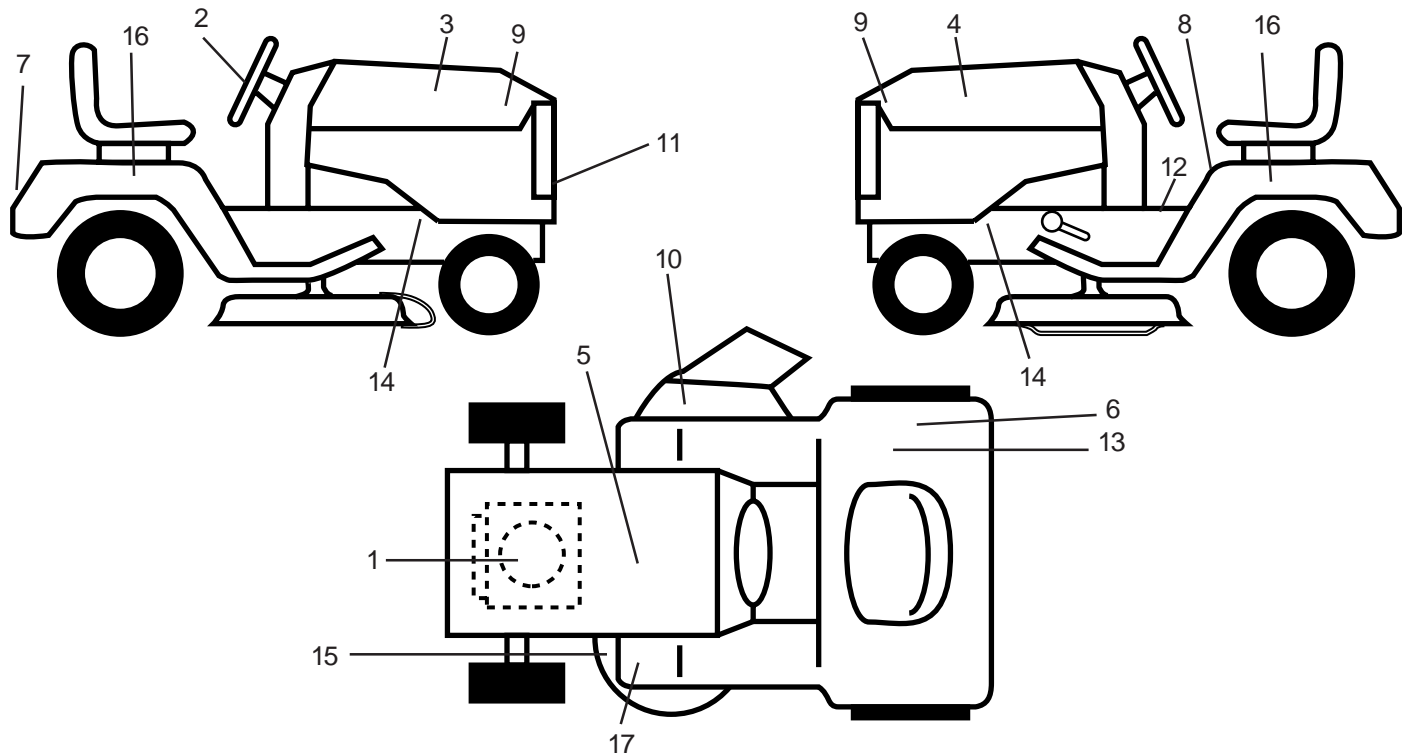
KEY NO.	PART NO.	DESCRIPTION
13	532121248	Bushing Snap Blk Nyl 50 Id
14	872050412	Bolt Rdhd Sht Nk 1/4-20x1-1/2
15	532121249	Spacer Split 28x 88 Yel Zinc
16	532123740	Spring Cprsn 1 310 Blk Pnt
17	532123976	Nut Lock 1/4 Lge Flg Gr 5 Zinc
18	532124238	Cap Spring Seat
21	<b>532171852</b>	Bolt Shoulder 5/16-18 Unc-2A
22	<b>873800500</b>	Nut Lock Hx W/Ins 5/16-18unc
24	819171912	Washer 17/32 X 1-3/16 X 12 Ga
25	532127018	Bolt Shoulder 5/16-18 X 62

**NOTE:** All component dimensions given in U.S. inches  
1 inch = 25.4 mm.

# REPAIR PARTS

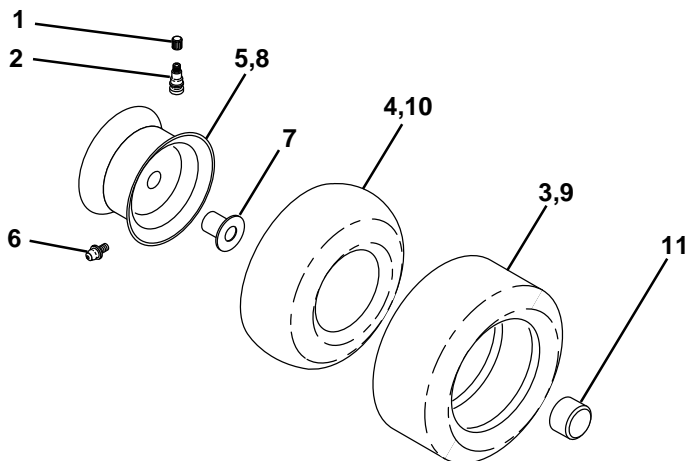
TRACTOR - - MODEL NUMBER LT18A (J18H46E), PRODUCT NO. 954 13 00-26

## DECALS



KEY NO.	PART NO.	DESCRIPTION	KEY NO.	PART NO.	DESCRIPTION
1	532170850	Decal Engine	13	532145437	Decal Europe Stand CE
2	532170565	Decal Ins. Strg. Whl.	14	532159736	Decal Chassis Hot Muffler
3	532170706	Decal Hood RH	15	532160397	Decal V-Belt Sch 44/46/50"
4	532170707	Decal Hood LH	17	532159737	Decal Brake/Clutch Symbol LT
5	532145005	Decal Btry DNGR/PSN P/L Sym.	-	532162598	Decal Drawbar Load Limit
6	532126187	Decal 100 DBA Cert. Dutch/Fre	-	532138311	Decal Lift Handle(Lift Handle)
7	532141761	Decal Fender	-	532169210	Decal By Pass Lt Hydro
8	532145498	Decal Read Owners Manual	-	532171284	Pad Footrest LH STLT
9	532162927	Decal Hood Insert	-	532171285	Pad Footrest RH STLT
10	532145494	Decal Mower Cutfingher	-	532171902	Manual Oper. Euro.
11	532152262	Decal Grille	-	532171903	Manual Oper. Scan.
12	532140837	Decal Saddle Brake Parking			

## WHEELS & TIRES



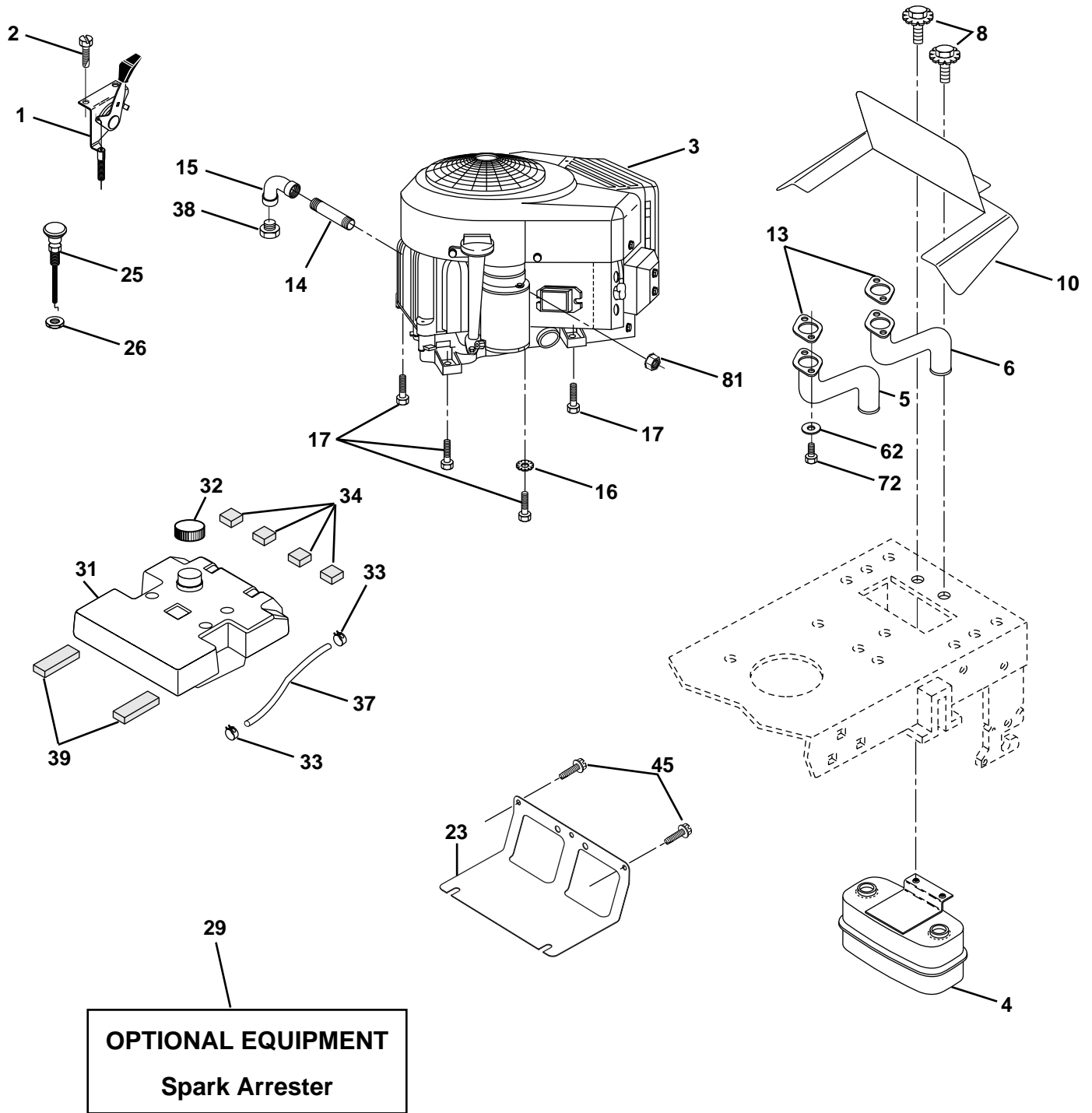
KEY NO.	PART NO.	DESCRIPTION
1	532059192	Cap Valve Tire
2	532065139	Stem Valve
3	532106222	Tire F Ts 15 X 6 0 - 6 Service
4	532059904	Tube Front (Service Item Only)
5	532138336	Rim Asm 6" front Silver Service
6	532124957	Fitting Grease (Front Wheel Only)
7	532124959	Bearing Flange (Front Wheel Only)
8	532138337	Rim Asm 8" rear Silver Service
9	532122082	Tire R Ts 20 10 C Service
10	532124926	Tube Rear (Service Item Only)
11	532104757	Cap, Hub Axle Blk 1.50 x 1.00
--	532144334	Tire, Sealant (10 oz. Tube)

**NOTE:** All component dimensions given in U.S. inches  
1 inch = 25.4 mm

# REPAIR PARTS

TRACTOR - - MODEL NUMBER LT18A (J18H46E), PRODUCT NO. 954 13 00-26

## ENGINE



# REPAIR PARTS

TRACTOR - - MODEL NUMBER LT18A (J18H46E), PRODUCT NO. 954 13 00-26

## ENGINE

KEY NO.	PART NO.	DESCRIPTION
1	532148875	Control Throt
2	817720410	Screw Hex Thd Cut 1/4-20x5/8 T
3	-----	Engine B&S Model No. 407777 Order parts from engine manufacturer
4	532149723	Muffler Twin Lo-Twin
5	532159955	Tube, Manifold Lh
6	532160589	Tube, Manifold Rh
8	532150176	Bolt 5/16-18 Unc x 3/4 w/Sems
10	532162797	Shield Browning Intek
13	532165391	Gasket Muffler
14	813280336	Nipple Pipe 4-1/2"
15	813200300	Elbow Std 90 Degree 3/8-18 Npt
16	811050600	Washer Lock Ext Tooth 3/8
17	817490624	Screw, Thdrol 3/8-16 x 1-1/2 Tytt
23	<b>532169837</b>	Shield Brn/Dbr Guard
25	532145996	Choke Control 37"
26	873920600	Nut, Keps 3/8-24 Unf
29	532137180	Kit Spark Arrestor (Flat Scrn)
31	532157103	Tank Fuel 3 50 STLT w/o Sensor
32	532140527	Cap Asm Fuel W/sym Vented
33	532123487	Clamp Hose Blk
34	532106082	Pad, Spacer
37	532142158	Line Fuel 54"
38	-----	Plug Oil Drain (Order From Engine Manufacturer)
39	532109227	Pad, Idler
45	<b>817000612</b>	Screw Hex Wsh Thdrol 3/8-16
62	810040500	Washer, Lock Hvy. Hlcl Spr 5/16
72	871070512	Screw Hex Hd Cap 5/16-18 x 3/4
81	<b>873510400</b>	Nut Keps Hex 1/4-20 Unc

**NOTE:** All component dimensions given in U.S. inches  
1 inch = 25.4 mm



# REPAIR PARTS

TRACTOR - - MODEL NUMBER LT18A (J18H46E), PRODUCT NO. 954 13 00-26

## MOWER DECK

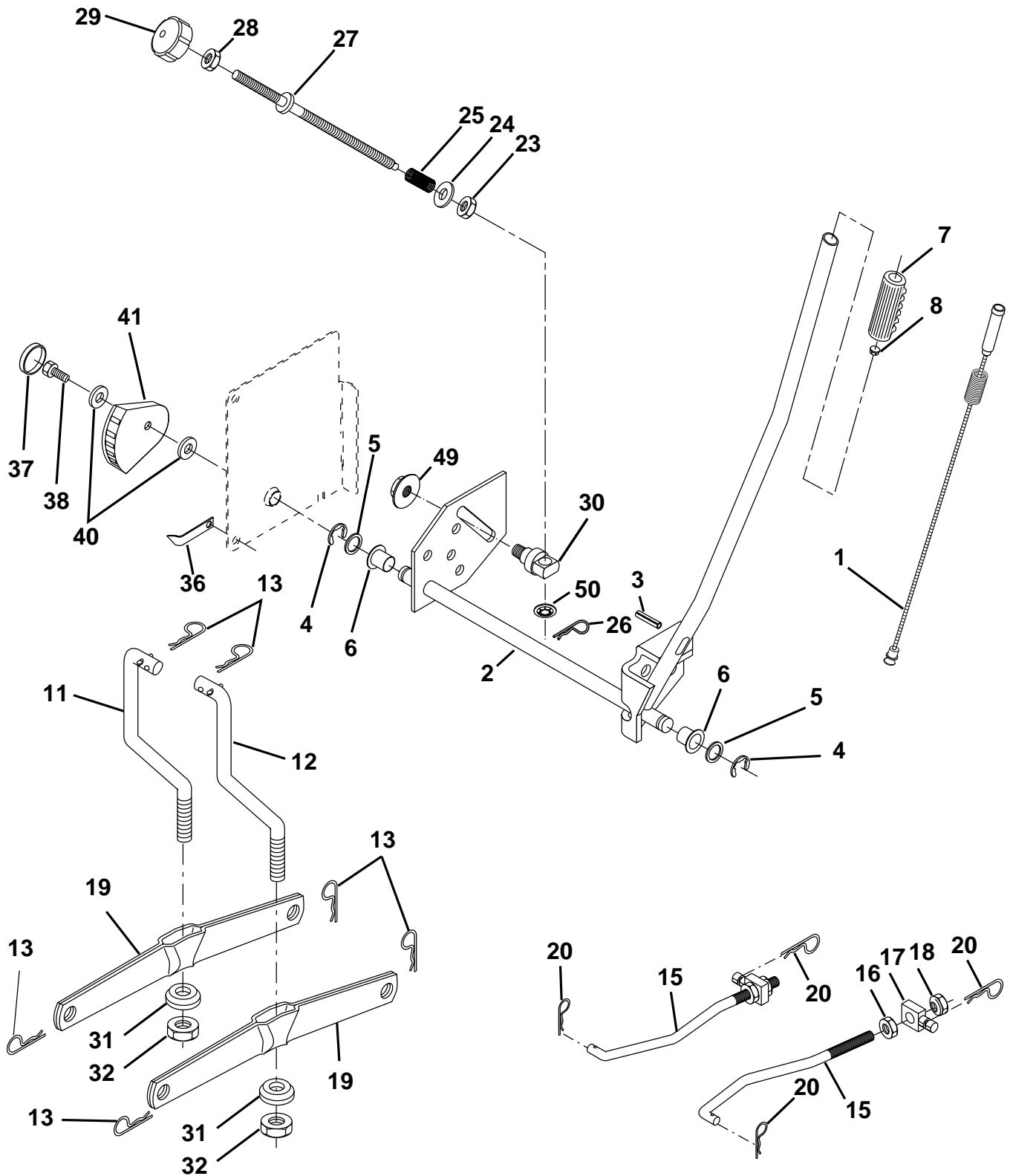
KEY NO.	PART NO.	DESCRIPTION	KEY NO.	PART NO.	DESCRIPTION
1	532156948	Deck Weldment	39	532144917	Pulley, Idler, Driven
3	532138457	Bracket Asm., Sway Bar	40	532137273	Spring, Secondary 44/46/50 Vent
5	532124670	Retainer Spring	41	<b>817060620</b>	Screw, 3/8-16 x 1-1/4
6	532130832	Arm, Suspension, Rear (Sway Bar)	42	<b>532165723</b>	Spacer, Retainer
8	532850857	Bolt, Patched 3/8-24 x 1-1/4 Gr. 8	43	532144949	Arm, Idler Secondary
9	810030600	Washer, Lock Hvy., Unplated 3/8	44	532133943	Washer, Hardened
10	532140296	Washer, Hard Blade, Mower Vented	45	532145059	Cover, Mandrel Deck
11	<b>531008029</b>	Blade, 46" Hi Perf	46	532137729	Screw, Thdroll. 1/4-20 x 5/8
12	532129895	Bearing, Ball, Mandrel #6204	47	531008027	V-Belt, Mower, Secondary
13	532137553	Shaft Asm. w/Lower Bearing (Includes Key No. 12)	48	531008028	V-Belt, Mower, Primary
14	532137152	Housing, Mandrel	49	873680600	Nut, Crownlock 3/8-16 UNC
15	532110485	Bearing, Ball, Mandrel	50	872110612	Bolt, Carriage 3/8-16 x 1-1/2 Gr. 5
16	532140329	Stripper, Mower Round	51	532153390	Washer Felt
18	872140505	Bolt, Carriage 5/16-18 x 5/8	52	532156493	Pulley Idler Flat 46 Pri Drive
19	532132827	Bolt, Hex Head, Shoulder 5/16-18	53	819131312	Washer 13/32 x013/16 x 12 Ga.
20	532145055	Baffle, Vortex Mower 46"	54	874780616	Bolt, Fin Hex 3/8-16 x 1 Gr. 5
21	873680500	Nut, Crownlock 5/16-18 UNC	55	872140608	Bolt Rdhd Sqnk 3/8-16 UNC x 1
22	532134753	Stiffener, Bracket	72	819131616	Washer 13/32 x 1 x 16 Ga
23	532131267	Bracket, Deflector	90	874760616	Bolt Fin Hex 3/8-16 UNC x 1
24	532105304	Cap, Sleeve	91	532132274	Bracket Asm Noseroller LH
25	532149287	Spring, Torsion, Deflector	92	873800600	Nut Lock Hex W/Ins 3/8-16 UNC
26	532110452	Nut, Push	93	819171416	Washer 17/32 x 7/8 16 Ga.
27	<b>532172514</b>	Shield, Deflector Mower	94	532132264	Roller Nose 38 & 42
28	819111016	Washer 11/32 x 5/8 x 16 Ga.	95	532132273	Bracket Asm Noseroller RH
29	532131491	Rod, Hinge	116	<b>532124842</b>	Bolt, Shoulder
30	532157722	Screw Thd Rolling Washer Head	117	<b>532165746</b>	Gauge Wheel
31	532129963	Washer, Spacer Mower Vented	118	873930600	Nut, Centerlock 3/8-16 UNC
32	532153531	Pulley, Mandrel	119	819121414	Washer 3/8 x 7/8 x 14 Ga.
33	532137266	Nut, Flg. Top Lock Cntr. 9/16	126	532144948	Arm, Idler, Primary Deck 46"
34	532144945	Anchor, Spring Deck 46"	127	532146763	Pulley, Idler, V-Groove Dim. 4.25
35	817490628	Screw, Thdroll 3/8-16 x 1-3/4 Tytt	--	532166209	Mower Serv. 46" w/GWB Symbols
36	819131316	Washer 13/32 x 13/16 x 16 Ga.	--	532143651	Mandrel Asm (includes key #'s 8-10, 12-15, 31 and 32)
37	532131494	Pulley, Idler, Flat			
38	532156086	Keeper, Belt, Idler			

**NOTE:** All component dimensions given in U.S. inches  
1 inch = 25.4 mm

# REPAIR PARTS

TRACTOR - - MODEL NUMBER LT18A (J18H46E), PRODUCT NO. 954 13 00-26

## MOWER LIFT





# REPAIR PARTS

TRACTOR - - MODEL NUMBER LT18A (J18H46E), PRODUCT NO. 954 13 00-26

## MOWER LIFT

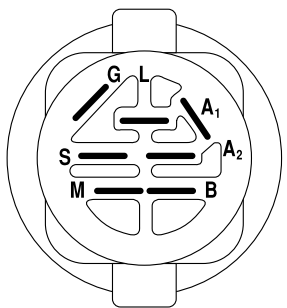
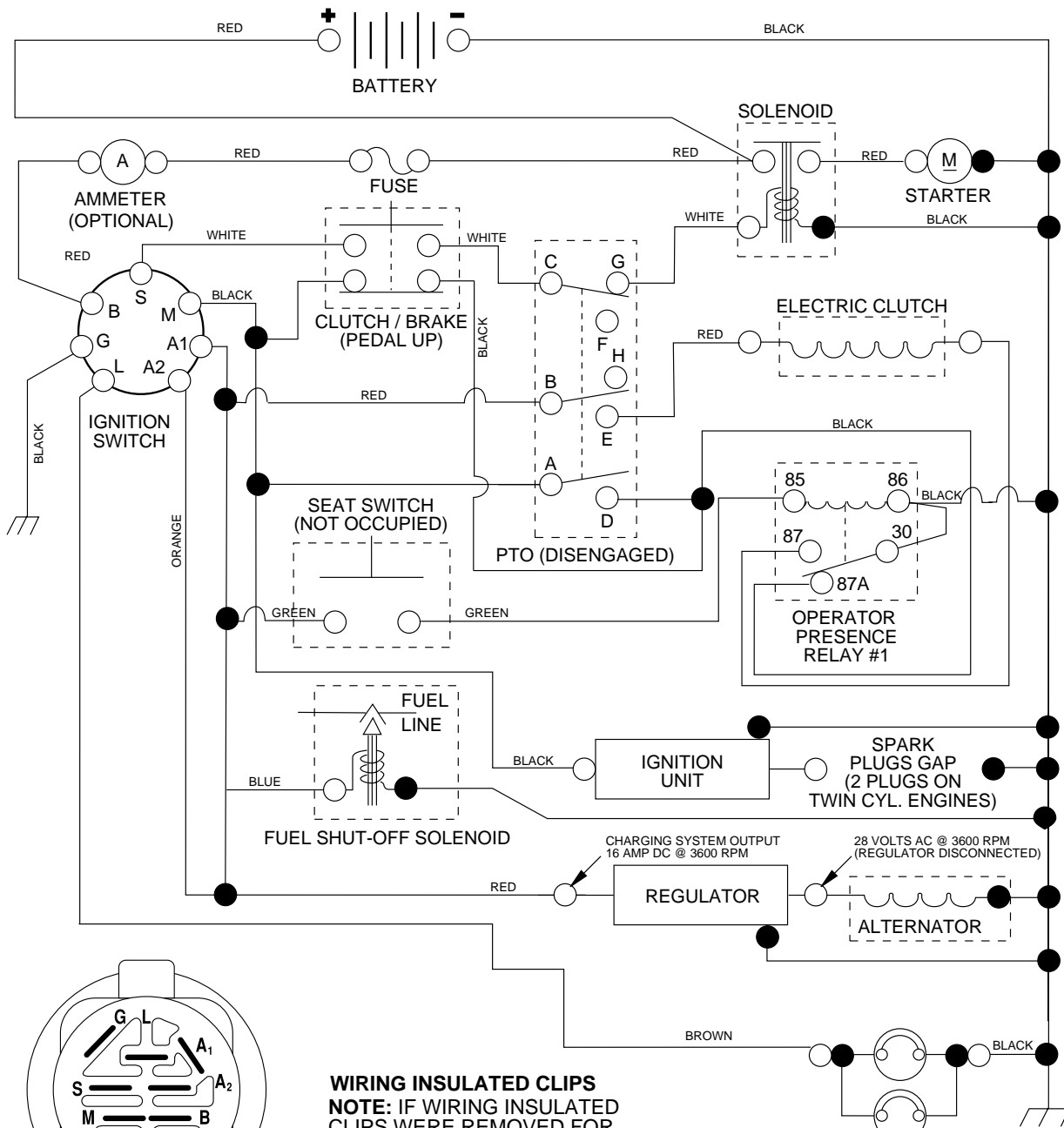
KEY NO.	PART NO.	DESCRIPTION
1	532159460	Wire Asm Inner W/plunger
2	532159471	Shaft Asm Lift RH
3	532105767	Pin Groove 1 500 Zinc
4	812000002	E Ring #5133-62
5	819211621	Washer 21/32 X 1 X 21 Ga
6	532120183	Bearing Nylon Blk 629 Id
7	<b>532125631</b>	Grip Handle
8	<b>532122365</b>	Button Plunger
11	532139865	Link Lift LH Fixed Length
12	532139866	Link Lift RH Fixed Length
13	532124670	Retainer Spring
15	<b>532167253</b>	Link Front
16	873350800	Nut Jam Hex 1/2-13 Unc
17	532130171	Trunnion Blk Zinc
18	<b>873800600</b>	Nut Lock W/Wsh 1/2-13 Unc
19	532139868	Arm Suspension Rear
20	532163552	Retainer Spring
23	532110807	Nut Special
24	819131016	Washer 13/32 X 5/8 X 16 Ga
25	532124874	Spring 2-1/8"
26	<b>532169484</b>	Retainer Clip
27	532126971	Rod Adj Lift Zinc 7.49 Wrk Lg
28	873350600	Nut Hex Jam 3/8-16 Unc
29	532138057	Knob Inf 3/8-16 Unc Blk W/sym
30	532150233	Trunnion Infin Height
31	532140302	Bearing Pvt Lift Spherical
32	873540600	Nut Crownlock 3/8-24
36	532155097	Pointer Height ind
37	532123935	Plug Hole Blk 1.485/1.515 Dia.
38	<b>817060516</b>	Screw 5/16-18 x 1
40	819112410	Washer 11/32 x 1-1/2 10 Ga.
41	532155098	Ind. Height STLT
49	532145212	Nut Hexflange Lock
50	532110452	Nut Push Phos & Oil

**NOTE:** All component dimensions given in U.S. inches  
1 inch = 25.4 mm

# REPAIR PARTS

TRACTOR - - MODEL NUMBER LT18A (J18H46E), PRODUCT NO. 954 13 00-26

## SCHEMATIC



**IGNITION SWITCH**

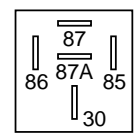
POSITION	CIRCUIT	"MAKE"
OFF	M+G+A1	NONE
RUN/LIGHT	B+A1	A2+L
RUN	B+A1	NONE
START	B + S + A1	NONE

**WIRING INSULATED CLIPS**  
**NOTE:** IF WIRING INSULATED CLIPS WERE REMOVED FOR SERVICING OF UNIT, THEY SHOULD BE REPLACED TO PROPERLY SECURE YOUR WIRING.

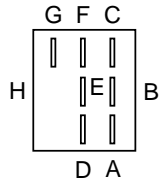
**PTO SWITCH**

POSITION	CIRCUIT
OFF	C + G, B + H
ON	C + F, B + E, A + D

● NON-REMOVABLE CONNECTIONS  
 ○ REMOVABLE CONNECTIONS



**RELAY**



**RELAY #1**