

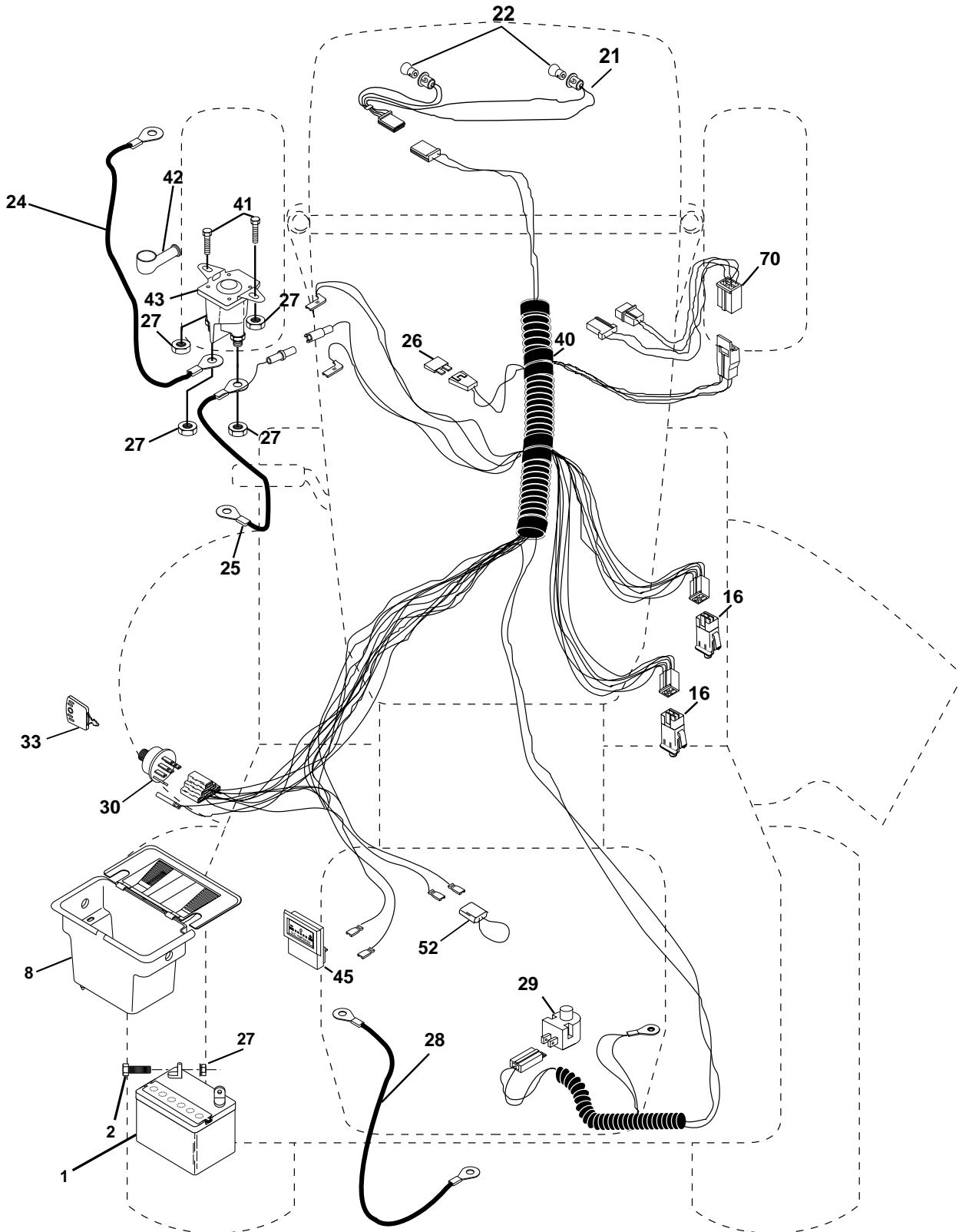
LT 15

Spare parts
Ersatzteile
Pièces détachées
Reserve onderdelen
Repuestos
Reservdelar

REPAIR PARTS

TRACTOR - MODEL NO. LT15 (J8F1542E), PRODUCT NO. 954 13 00-36

ELECTRICAL



REPAIR PARTS

TRACTOR - MODEL NO. LT15 (J8F1542E), PRODUCT NO. 954 13 00-36

ELECTRICAL

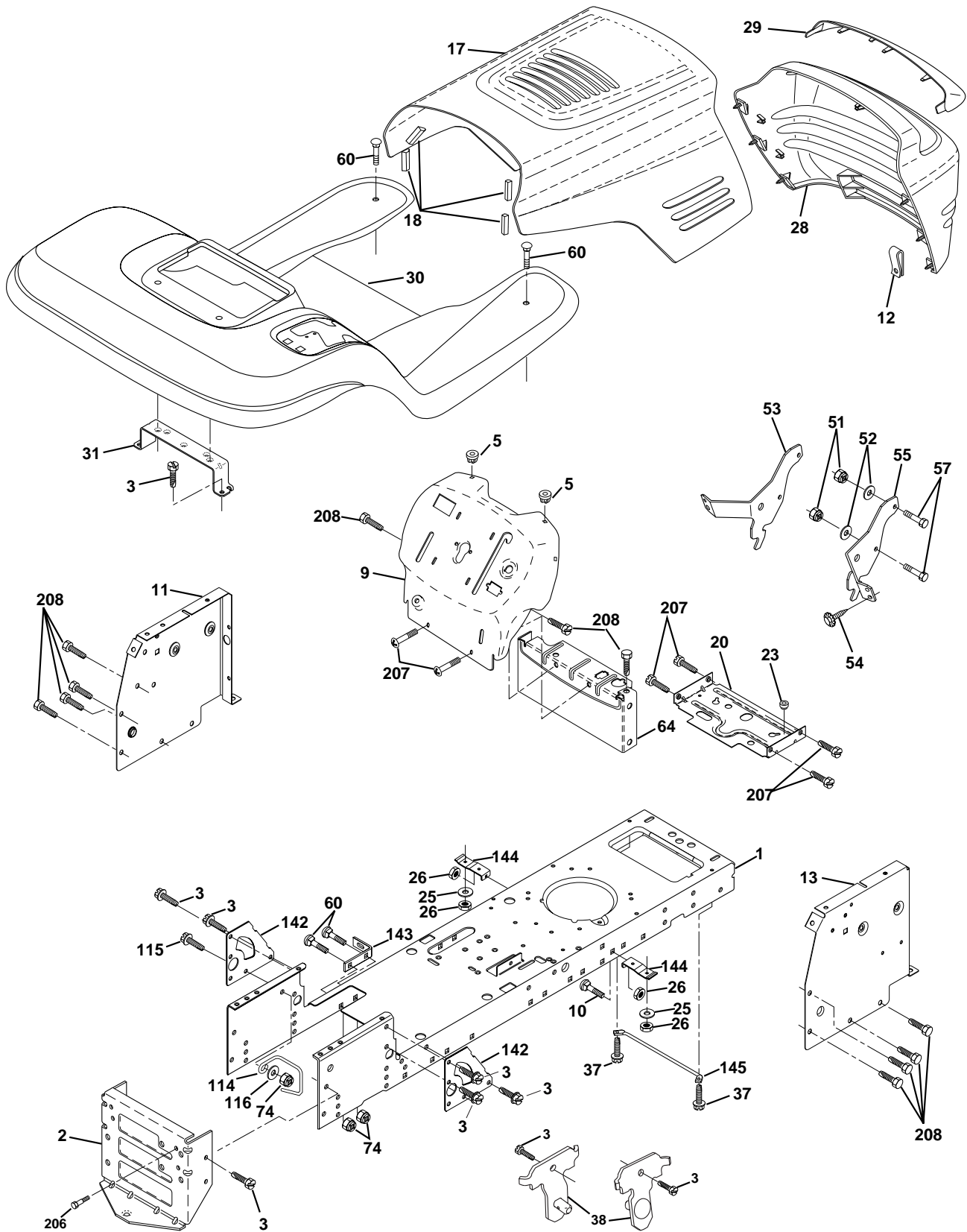
KEY NO.	PART NO.	DESCRIPTION
1	532144925	Battery 12 Volt 25 AMP
2	874760412	Bolt Hex Hd 1/4-20unc X 3/4
8	532156417	Case Battery Mech Hinge
16	532153664	Switch Interlock Push-In
20	873350400	Nut Jam Hex 1/4-20 Unc
21	532166182	Harness Asm Light W/4152j
22	532004152	Bulb Light #1 156
24	532124780	Cable Battery 6 Ga 11" red
25	532146147	Cable Battery 6 Ga 44" red w/16 wire
26	532166180	Fuse 15 AMP
27	873510400	Nut Keps Hex 1/4-20 Unc
28	532124773	Cable Ground 6 Ga 12" black
29	532121305	Switch Plunger Nc Gray
30	532163968	Switch Ign 4 pos w/lights
33	532140401	Key Ign Molded Generic
40	532170217	Harness Ign.
41	871110408	Bolt Blk Fin Hex 1/4 - 20 x 1/2
42	532131563	Cover Terminal Red
43	532145673	Solenoid
48	532140844	Adapter Ammeter Rectangular
52	532141940	Protection Wire Loop
70	532170243	Harness, Eng.

NOTE: All component dimensions given in U.S. inches.
1 inch = 25.4 mm.

REPAIR PARTS

TRACTOR - MODEL NO. LT15 (J8F1542E), PRODUCT NO. 954 13 00-36

CHASSIS AND ENCLOSURES



REPAIR PARTS

TRACTOR - MODEL NO. LT15 (J8F1542E), PRODUCT NO. 954 13 00-36 CHASSIS AND ENCLOSURES

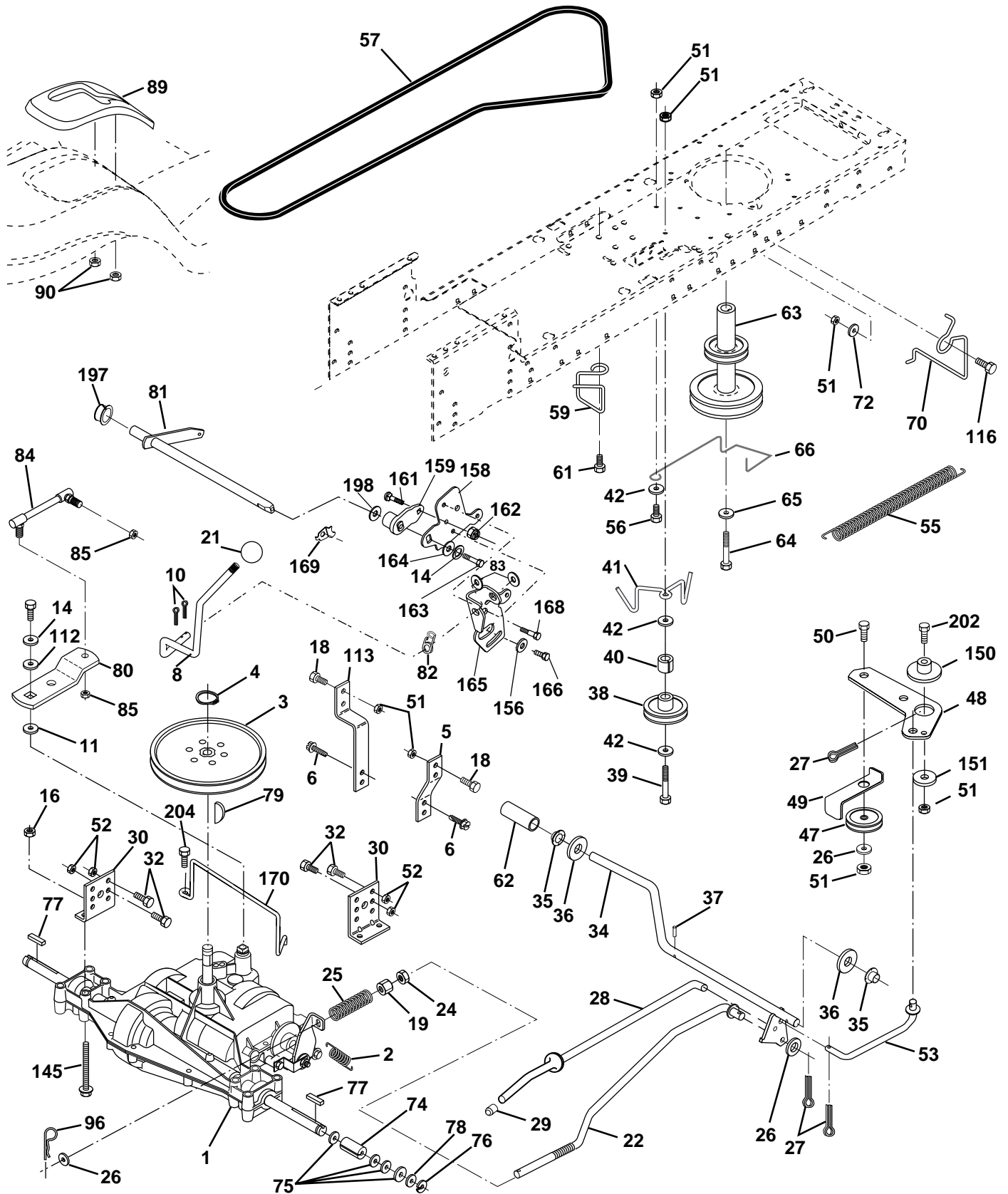
KEY NO.	PART NO.	DESCRIPTION
1	532169830	Chassis Stamping
2	532169061	Drawbar
3	817060612	Screw 3/8-16x3/4
5	532155272	Bumper Hood/Dash
9	532172151	Dash P/L
10	872140608	Bolt Carriage 3/8-16 x 1
11	532155927	Panel Dash Lh
12	532145660	Clip Tinnerman Grille P/L
13	532169118	Panel Dash Rh
14	817490608	Screw Thdrol 3/8-16x1/2 Ty-tt
17	532150760	Hood LT/PL with Louvers
18	532126938	Bumper Hood
20	532156437	Plate Mtg Battery Fuel Tank Fr
23	532124028	Bushing
25	819131312	Washer 13/32 X 13/16 X 12 Ga
26	873800600	Nut Lock Hex W/Ins 3/8-16 Unc
28	532172170	Grille with Clips
29	532166603	Lens LT/PL Grille Shark Plain
30	532172157	Fender Footrest
31	532139976	Bracket Support Fender
37	817490508	Screw Thdrol 6/16-18 x 1/2 TYT
38	532169834	Bracket Asm Pivot Mower Rear
51	873800400	Nut Lock Hex W/Ins 1/4-20
52	819091416	Washer 9/32 x 7/8 x 16 Ga.
53	532145201	Bracket Pnt. Pickoff LH
54	532161464	Screw Hex Wshd 8-18 x 7/8
55	532145202	Bracket Grille Pickoff RH
57	874780412	Bolt Hex 1/4-20 x 3/4
60	872140606	Bolt Rdhd Sqnk 3/8-16unc x 3/4
64	532154798	Dash Lower STLT
74	873680600	Nut Crownlock 3/8-16 UNC
114	532158112	Keeper Belt Rear LH Stl P930
115	817060620	Screw 3/8-16 x 1-1/4
116	819131614	Washer 13/32 x 1 x 14 Ga.
142	532165867	Plate Reinforcement STLT
143	532154966	Bracket Swaybar Chassis
144	532154207	Bracket Pnt Footrest STLT
145	532156524	Rod Pivot Chassis/Hood
206	532170165	Bolt Shoulder 5/16-18 TT
207	817670508	Screw Thdrol 5/16-18 x 1/2
208	817670608	Screw Thdrol 3/18-16 x 1/2
--	532005479	Plug Button

NOTE: All component dimensions given in U.S. inches
1 inch = 25.4 mm

REPAIR PARTS

TRACTOR - MODEL NO. LT15 (J8F1542E), PRODUCT NO. 954 13 00-36

DRIVE



REPAIR PARTS

TRACTOR - MODEL NO. LT15 (J8F1542E), PRODUCT NO. 954 13 00-36

DRIVE

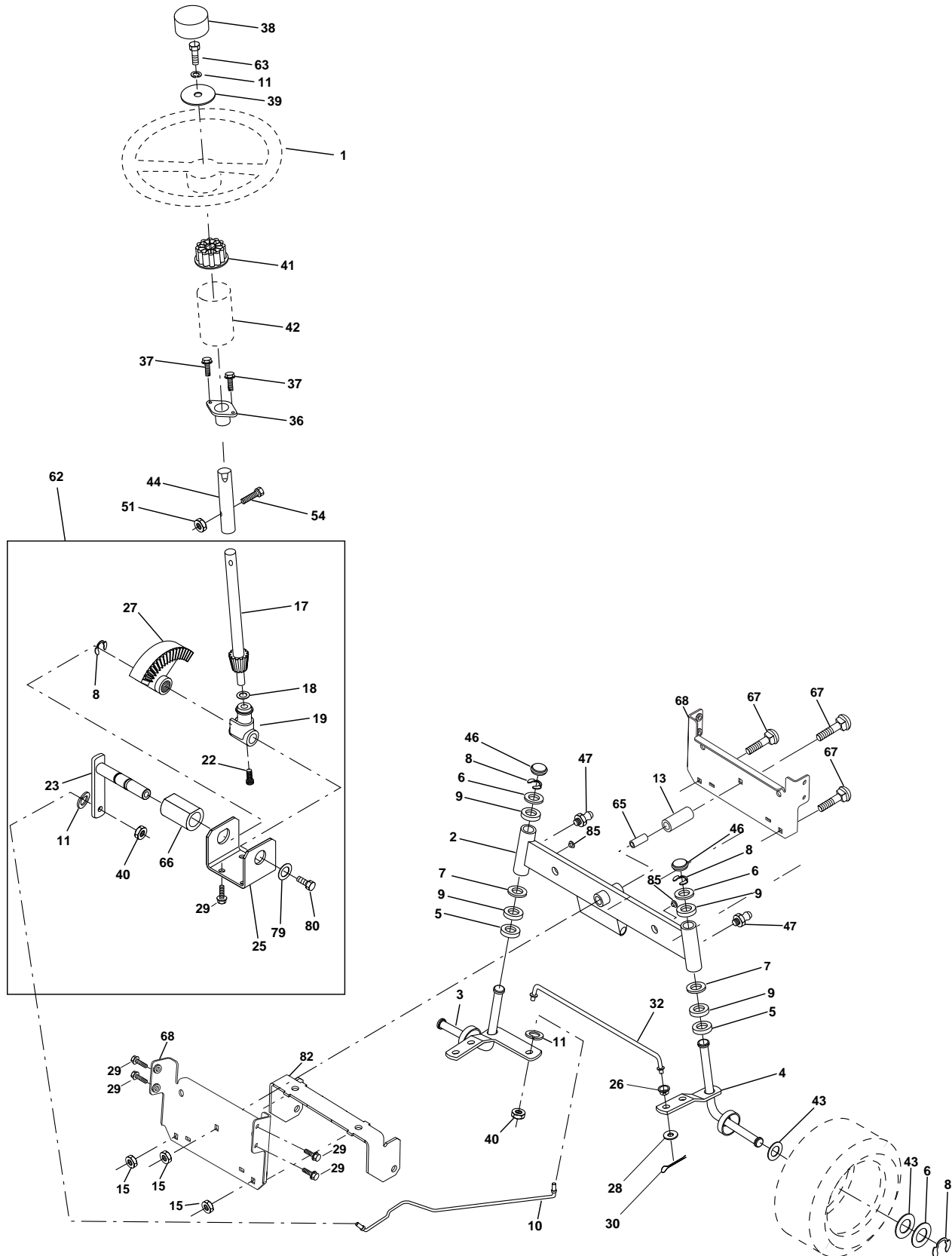
KEY PART NO. NO.	DESCRIPTION	KEY PART NO. NO.	DESCRIPTION
1	-----	62	532124872 Cover Pedal
2	532146682	63	532140186 Engine Pulley LT/YT
3	532123666	64	871170764 Bolt Hex 7/16-20 x 4
4	812000028	65	810040700 Washer Lock Hvy Hlcl Spr 7/16
5	532121520	66	532154778 Keeper Belt Engine F-Proof
6	817060512	70	532134683 Guide Belt Mower Drive RH
8	532165866	72	819132012 Washer 13/32 X 1-1/4 X 12 Ga
10	876020416	74	532137057 Spacer Axle
11	532105701	75	532121749 Washer 25/32 X 1 1/4 X 16 Ga
13	874550412	76	812000001 E-ring#5133-75
14	810040400	77	532123583 Key Square 2 0 X 1845/ 1865
16	873800500	78	532121748 Washer 25/32 X 1-5/8 X 16 Ga
18	874780616	79	532125096 Key Woodruff
19	873800600	80	532145090 Arm Shift Transaxle
21	532130564	81	532165592 Shaft Asm Cross
22	532130804	82	532165711 Spring Torsion T/a
24	873350600	83	819171216 Washer 17/32 X 3/4 X 16 Ga
25	532106888	84	532166231 Link Transaxle
26	819131316	85	532150360 Nut Nylock 1/4 - 28
27	876020412	89	532166556 Console Shift 6sp
28	532145204	90	532124346 Nut Self-thd Wsh-hd 1/4 Zinc
29	532071673	96	532124788 Retainer Spring 1" Zinc/Cad
30	532169592	112	819091210 Washer 9/32 x 3/4 x 10 Ga.
32	874760512	113	532127285 Strap Torque Lt
34	532155071	116	872110610 Bolt Rd Sq Neck 3/8-16 x 1-1/4
35	532120183	145	874490540 Bolt Hex 5/16-18FLGHD
36	819211616	150	532165850 Bushing Bellcrank GRD Drive
37	532124963	151	819133210 Washer 13/32 x 2 x 10 Ga.
38	532131494	156	532166002 Washer Srrted 5/16 ID x 1 .125
39	872110622	158	532165589 Bracket Shift Mount
40	532124965	159	532165494 Hub Tapered Flange Shift LT
41	532165838	161	872140406 Bolt Rdhd Sqnk 1/4-20 x 3/4 Gr 5
42	819131312	162	873680400 Nut Crownlock 1/4-20 Unc
47	532127783	163	874780416 Bolt Hex Fin 1/4-20 Unc x 1 Gr. 5
48	532154407	164	819091010 Washer 5/8 x .281 x 10 Ga.
49	532123205	165	532165623 Bracket Pivot Lever
50	874760624	166	532166880 Screw 5/16-18 x 5/8
51	873680600	168	532165492 Bolt Shoulder 5/16-18 x .561
52	873680500	169	532165580 Plate Fastening LT
53	532105710	170	532165849 Keeper Belt Transaxle Gear
55	532105709	197	532169613 Nyliner Snap-In 5/8" ID
56	874760620	198	532169593 Washer Nyl 7/8 ID x .105"
57	531013136	202	872110612 Bolt Carr Sh 3/8-16 x 1-1/2 Gr 5
59	532169691	204	817060516 Screw 5/16-18 x 1
61	817060612		

NOTE: All component dimensions given in U.S. inches
1 inch = 25.4 mm

REPAIR PARTS

TRACTOR - MODEL NO. LT15 (J8F1542E), PRODUCT NO. 954 13 00-36

STEERING ASSEMBLY



REPAIR PARTS

TRACTOR - MODEL NO. LT15 (J8F1542E), PRODUCT NO. 954 13 00-36

STEERING ASSEMBLY

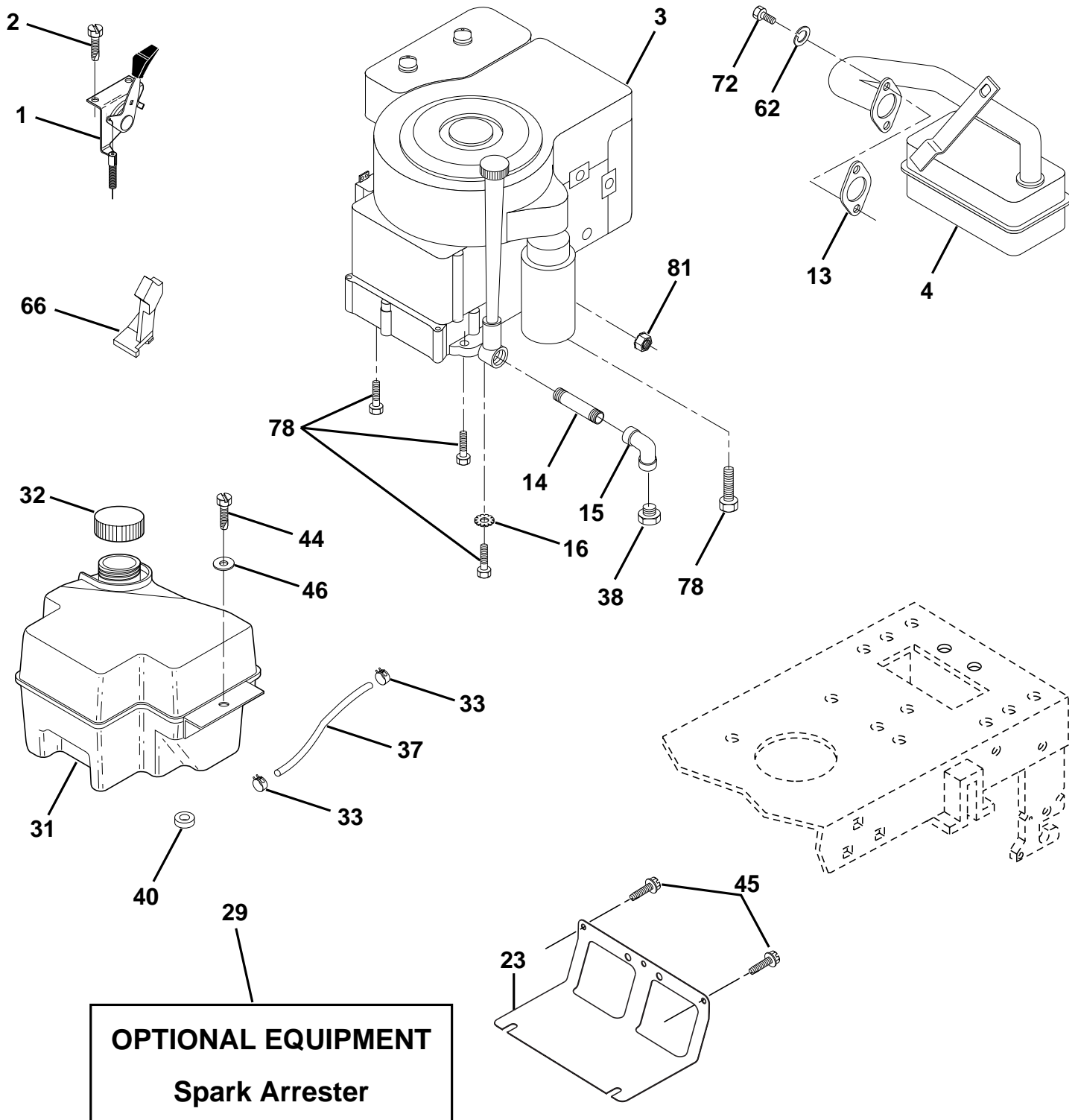
KEY NO.	PART NO.	DESCRIPTION
1	532172092	Wheel Steering
2	532154427	Axle Asm STMP Dropped STL
3	532169840	Spindle Asm LH
4	532169839	Spindle Asm RH
5	532124931	Bearing Race Thrust Harden
6	532121748	Washer 25/32 X 1-5/8 X 16 Ga
7	819272016	Washer 27/32 X 1-1/4 X 16 Ga
8	812000029	Ring Klip #t5304-75
9	532124937	Bearing Col Strg Blk
10	532169832	Link Drag
11	810040600	Washer Lock Hvy Hlcl Spr 3/8
13	532136518	Spacer Brg Axle Front
15	532145212	Nut Hex Flange Lock
17	532156546	Shaft Asm Strg
18	532057079	Washer Thrust 515x 750x 033
19	532160395	Support Shaft
22	532165857	Screw Hex Wsh hd Torx
23	532165851	Shaft Asm Pittman
25	532154406	Bracket Steering
26	532126847	Bushing Link Drag
27	532136874	Gear Sector
28	819131416	Washer 13/32 X 7/8 X 16ga.
29	817060612	Screw 3/8-16x3/4
30	876020412	Pin Cotter 1/8 X 3/4 Cad.
32	532130465	Rod Tie
36	532155099	Bushing Strg
37	532152927	Screw
38	532172093	Insert Cap Strg Wh
39	819132411	Washer 13/32 X 1-1/20 x 11 Ga
40	532124701	Lock nut
41	532159945	Adaptor Wheel Strg
42	532169633	Boot Steering Shaft
43	532121749	Washer 25/32 X 1 1/4 X 16 Ga
44	532153720	Extension Steering Shaft LR/LT
46	532121232	Cap Spindle Fr Top Blk
47	532124836	Fitting Grease
51	873800500	Nut Lock Hex w/Ins 5/16-18
54	874780520	Bolt Fin Hex 5/16-18 Unc x 1-1/4
62	532167902	Kit, Steering Assembly Svc
63	874780616	Bolt Fin Hex 3/8-16unc x 1 Gr. 5
65	532160367	Spacer Brace Axle
66	532154404	Bearing Arm Pittman
67	872110618	Bolt Rdhd Sqnk 3/8-16 x 2-1/4
68	532169827	Axle, Brace
79	819132012	Washer 13/32 x 1-1/4 x 12 Ga
80	874950612	Bolt Hex Nylon 3/8-16 x 3/4
82	532169835	Bracket Susp Chassis Front
85	532133835	Fastner Christmas Tree

NOTE: All component dimensions given in U.S. inches.
1 inch = 25.4 mm.

REPAIR PARTS

TRACTOR - MODEL NO. LT15 (J8F1542E), PRODUCT NO. 954 13 00-36

ENGINE



REPAIR PARTS

TRACTOR - MODEL NO. LT15 (J8F1542E), PRODUCT NO. 954 13 00-36

ENGINE

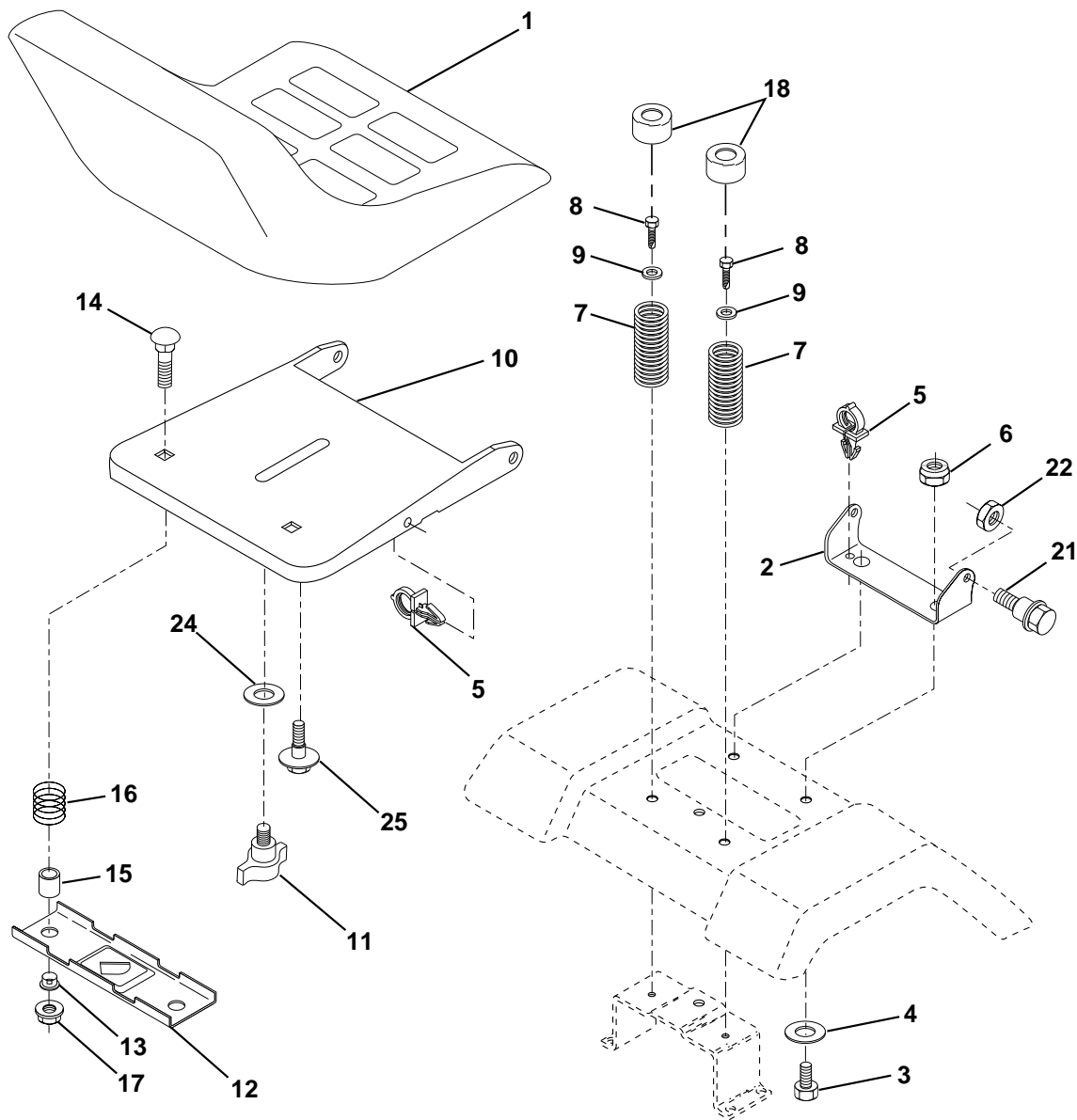
KEY NO.	PART NO.	DESCRIPTION
1	532141359	Control Th/ch 20.22 LH Flag
2	817720410	Screw Hex Thd Cut 1/4-20x5/8 T
3	-----	Engine B&S Model No. 287707 Order parts from engine manufacturer
4	532137352	Muffler LT B&S
13	532165291	Gasket
14	813280324	Nipple Pipe 3/8 Npt X 3"
15	813200300	Elbow Std 90 Degree 3/8-18 Npt
16	811050600	Washer Lock Ext Tooth 3/8
23	532169837	Shield Brn/Dbr Guard
29	532137180	Kit Spark Arrestor (Flat Scrn)
31	532161911	Tank Fuel Front 2 00
32	532140527	Cap Asm Fuel W/sym Vented
33	532123487	Clamp Hose Black
37	532137040	Line Fuel 20"
38	-----	Plug Oil Drain (Order From Engine Manufacturer)
40	532124028	Bushing Snap Nyl Blk Fuel Line
44	817490412	Screw Hexwsh Thdrol 1/4-20x3/4
45	817060612	Screw 3/8-16 x 3/4
46	819091416	Washer 9/32 X 7/8 X 16 Ga
62	810040500	Washer Lock Hvy Hlcl Spr 5/16
66	532127951	Stop Throttle 3000 RPM
72	871070512	Screw Hexhd Cap 5/16-18x 3/4
78	817060620	Screw 3/8-16x1-1/4
81	532128861	Nut Flange 1/4-20 Starter Nut

NOTE: All component dimensions given in U.S. inches
1 inch = 25.4 mm

REPAIR PARTS

TRACTOR - MODEL NO. LT15 (J8F1542E), PRODUCT NO. 954 13 00-36

SEAT ASSEMBLY



KEY PART NO. NO.

DESCRIPTION

KEY PART NO. NO.

DESCRIPTION

1	532140117	Seat
2	532140551	Bracket Pivot Seat 8 720
3	871110616	Bolt Fin Hex 3/8-16unc X 1
4	819131610	Washer 13/32 X 1 X 10 Ga
5	532145006	Clip Push-In
6	873800600	Nut Hex w/Ins. 3/8-16 Unc
7	532124181	Spring Seat Cprsn 2 250 Blk Zi
8	817000616	Screw 3/8-16 X 1-1/2
9	819131614	Washer 13/32 X 1 X 14 Ga.
10	532155925	Pan Seat
11	532166369	Knob Seat
12	532121246	Bracket Mounting Switch

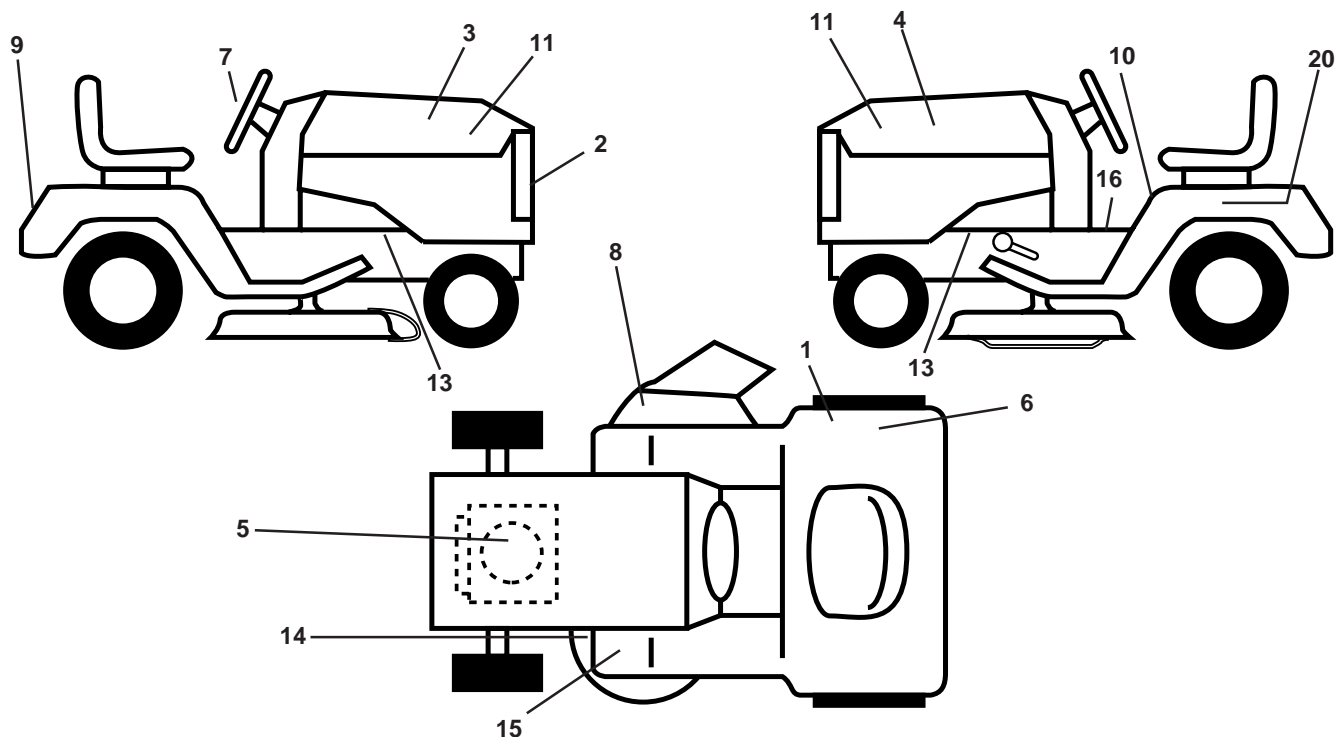
13	532121248	Bushing Snap Blk Nyl 50 Id
14	872050412	Bolt Rdhd Sqnk 1/4-20x1-1/2
15	532134300	Spacer Split 28x96 Yel Zinc
16	532121250	Spring Cprsn 1 327 Blk Pnt
17	532123976	Nut Lock 1/4 Lge Flg Gr 5 Zinc
18	532124238	Cap Spring Seat
21	532171852	Bolt Shoulder 5/16-18 Unc
22	873800500	Nut Hex Lock W/Ins 5/16-18
24	819171912	Washer 17/32 X 1-3/16 X 12 Ga.
25	532127018	Bolt Shoulder 5/16-18 X 62

NOTE: All component dimensions given in U.S. inches.
1 inch = 25.4 mm

REPAIR PARTS

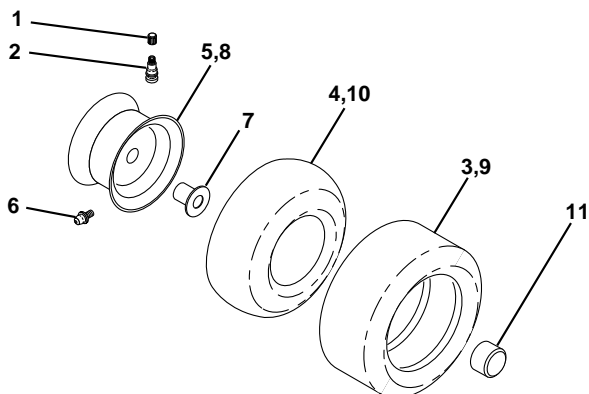
TRACTOR - MODEL NO. LT15 (J8F1542E), PRODUCT NO. 954 13 00-36

DECALS



KEY NO.	PART NO.	DESCRIPTION	KEY NO.	PART NO.	DESCRIPTION
1	532126187	Decal 100 DBA	14	532160396	Decal V-Belt Schematic
2	532152262	Decal Grille Jonsered Sweden	15	532159737	Decal Brake/Clutch Symbol Lt
3	532170691	Decal Hood RH	16	532140837	Decal Saddle Brake Parking
4	532170692	Decal Hood LH	20	532145005	Decal Bat Dan/Psn
5	532170846	Decal HP Engine	--	165800X428	Pad Footrest LH STLT
6	532145437	Decal Europe Stand CE	--	165799X428	Pad Footrest RH STLT
7	532170565	Decal, Ins. Strg Whl. Jons.	--	532138311	Decal Handle Lift Height Adjust
8	532145494	Decal Mower Cutfinger	--	532142341	Decal Drawbar Cntrl Mvt Hyd Lt
9	532141761	Decal Fender Jonsered	--	532162598	Decal Drawbar Load Limit
10	532145498	Decal Read Owner's Manual Syms.	--	532172021	Manual Operator's (Euro.)
11	532162927	Decal Hood Insert	--	532172022	Manual Operator's (Scan.)
13	532159736	Decal Chassis Hot Muffler			

WHEELS & TIRES



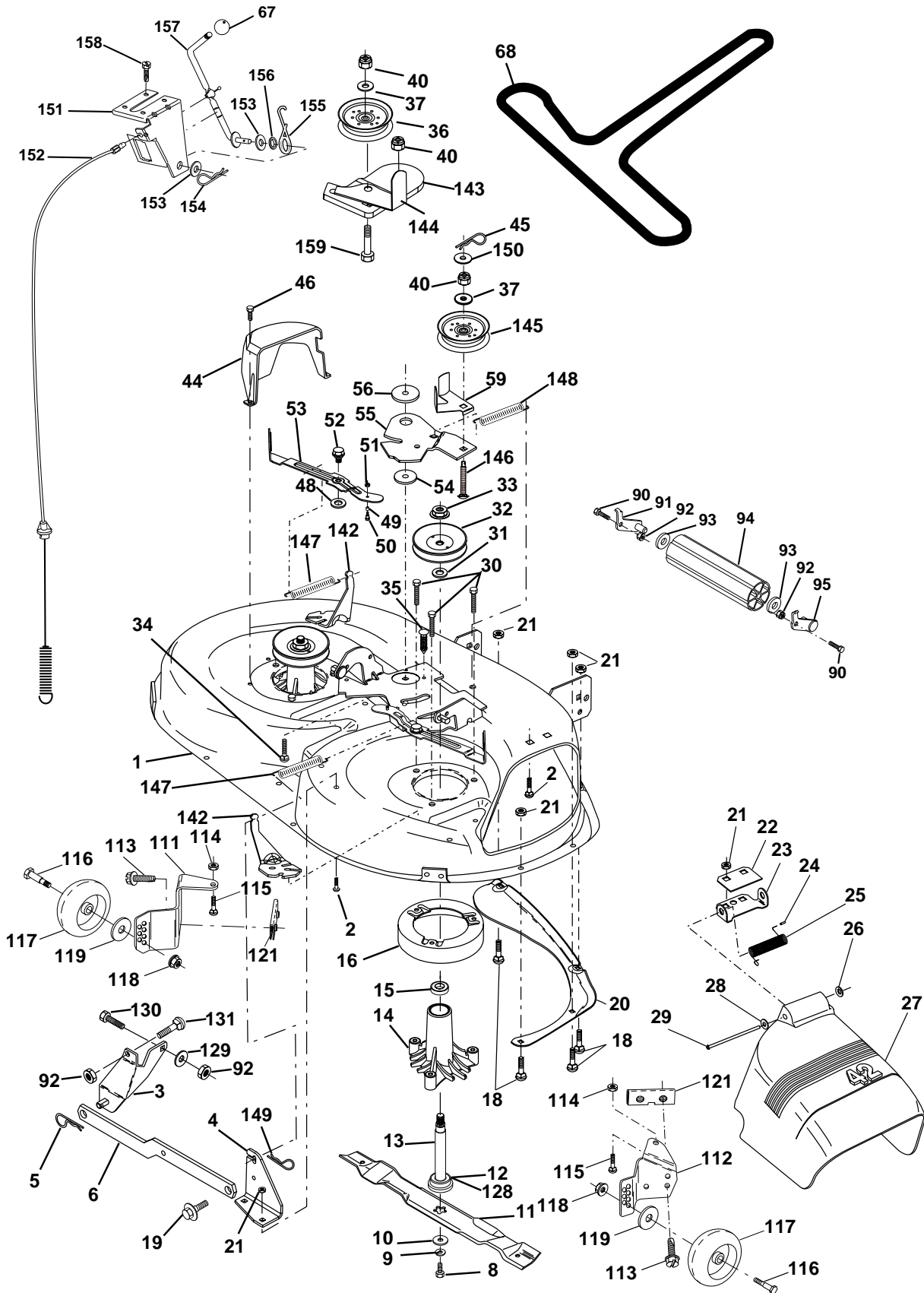
KEY NO.	PART NO.	DESCRIPTION
1	532059192	Cap Valve Tire
2	532065139	Stem Valve
3	532106222	Tire F Ts 15 X 6 0 - 6 Service
4	532059904	Tube Front (Service Item Only)
5	532138336	Rim Asm 6"front Silver Service
6	532124957	Fitting Grease (Front Wheel Only)
7	532124959	Bearing Flange (Front Wheel Only)
8	532138337	Rim Asm 8"rear Silver Service
9	532122082	Tire R Ts 20x10-8 C Service
10	532124926	Tube Rear (Service Item Only)
11	532104757	Cap Axle Blk 1 50 X 1 00
--	532144334	Sealant, Tire (10 oz. Tube)

NOTE: All component dimensions given in U.S. inches
1 inch = 25.4 mm

REPAIR PARTS

TRACTOR - MODEL NO. LT15 (J8F1542E), PRODUCT NO. 954 13 00-36

MOWER DECK



REPAIR PARTS

TRACTOR - MODEL NO. LT15 (J8F1542E), PRODUCT NO. 954 13 00-36

MOWER DECK

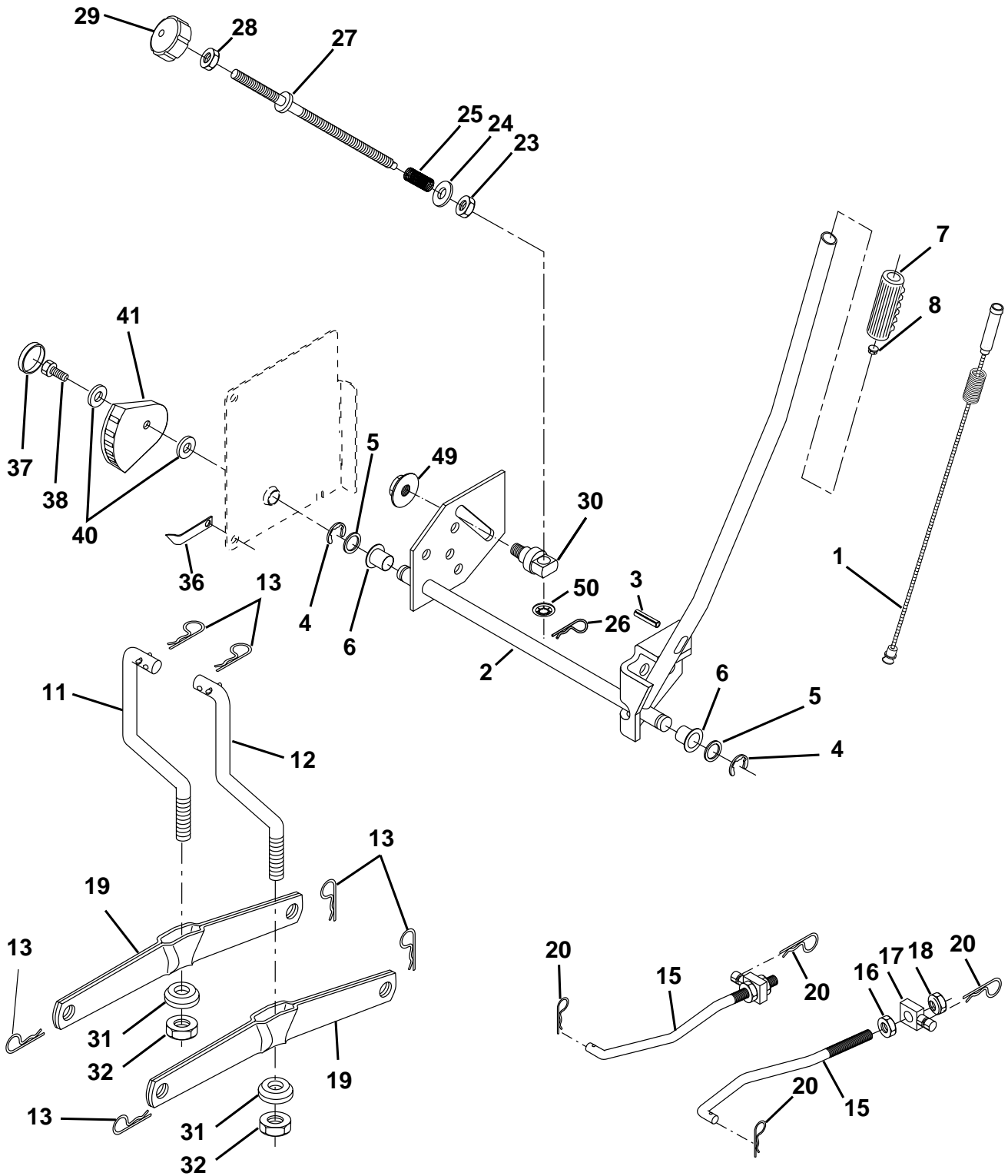
KEY NO.	PART NO.	DESCRIPTION	KEY NO.	PART NO.	DESCRIPTION
1	532165892	Housing Asm Mower	67	532106932	Knob Rd 3/8-16 Plstc Thds Blk
2	872140506	Bolt Rdhd Sqnk 5/16-18unc X3/4	68	531008027	V-Belt Mower
3	532138017	Bracket Asm Fr Sway Bar 38/42	90	874760616	Bolt Fin Hex 3/8-16unc X 1
4	532165460	Bracket Asm Deck 42"sway Bar	91	532132274	Bracket Asm Noseroller LH
5	532124670	Retainer Spring	92	873800600	Nut Lock Hex w/ins. 3/8-16 UNC
6	532130832	Arm Suspension Rear	93	819171416	Washer 17/32 X 7/8 X 16 Ga
8	532850857	Bolt 3/8-24x1 25 Gr8 Patched	94	532132264	Roller Nose 38 & 42
9	810030600	Washer Lock Hvy 3/8 Unplated	95	532132273	Bracket Asm Noseroller RH
10	532140296	Washer Hard Blade Mower Vented	111	532155197	Bracket Gauge Wheel Lh
11	531013134	Blade Mower High Lift"	112	532155198	Bracket Gauge Wheel Rh
12	532129895	Bearing Ball #6204 (Mandrel)	113	817060512	Screw 5/16-18 x 3/4
13	532137645	Shaft Asm W/lower Bearing	114	873510500	Nut Keps 5/16-18 UNC
14	532128774	Housing Mandrel Vented(machd)	115	872110504	Bolt Carriage 5/16-18unc x 1/2
15	532110485	Bearing Ball Mandrel	116	532124842	Bolt Shoulder
16	532140329	Stripper Round Mower	117	532165746	Wheel Gauge
18	872140505	Bolt Carr 5/16-18 X 5/8	118	873930600	Nut Centerlock 3/8-16 UNC
19	532132827	Bolt Shoulder	119	819121414	Washer 3/8 x 7/8 x 14 Ga.
20	532159770	Baffle Vortex	121	532143723	Bracket Extruded Gauge Wheel
21	873680500	Nut Crown Lock 5/16-18	128	532153390	Washer Felt
22	532134753	Stiffener Bracket 42"deck	129	819131312	Washer 13/32 x 13/16 x 12 Ga.
23	532131267	Bracket Deflector Mower 42"	130	874780616	Bolt Fin Hex 3/8-16 UNC x 1 Gr. 5
24	532105304	Cap Sleeve 80x 112 Blk Mower	131	872140608	Bolt Rdhd Sqnk 3/8-16 x 1
25	532123713	Spring Torsion Deflector 2 52	142	532165890	Arm Spring Brake Mower
26	532110452	Nut Push Phos & Oil	143	532157109	Bracket Arm Idler 42"
27	532171859	Shield Deflector	144	532158634	Keeper Belt 42" Clutch Cable
28	819111016	Washer 11/32 X 5/8 X 16 Ga	145	532165888	Pulley Idler Flat
29	532131491	Rod Hinge 42"6 75 Wlg	146	532165891	Bolt Carriage Idler
30	532157722	Screw Thdrol Washer Head	147	532131335	Spring Extension
31	532129963	Washer Spacer Mower Vented	148	532169022	Spring Return Idler
32	532153535	Pulley Mandrel	149	532169898	Retainer Spring Yellow
33	532137266	Nut 9/16top Lock Fling Cntr	150	819091216	Washer 9/32 x 3/4 x 16 Ga.
34	872110614	Bolt RDHD 3/8-16 UNC x 2-3/4 Gr.5	151	532169670	Bracket Clutch Cable
35	532133835	Fastner Christmas Tree	152	532169676	Clutch Cable 42"
36	532131494	Pulley Idler Flat 3 060	153	532169674	Washer Flat 3/8" Type B
37	819131316	Washer 13/32 X 13/16 X 16 Ga	154	532169675	Spring Retainer
40	873680600	Nut Lock 3/8-16 Unc	155	532169671	Spring Retention Lvr Cltch Cab
44	532140088	Guard Mandrel LH Black	156	532169672	Spacer Clutch Cable
45	532124788	Spring Retainer 1" Zinc/cad	157	532169669	Rod Clutch Cable 3/8"
46	532137729	Screw Thdrol 1/4-20x5/8	158	817720410	Screw Hex Thd Cut 1/4-20 x 5/8
48	532133944	Washer Hardened Samllr	159	872140614	Bolt Rdhd Sqn 3/8-16 Unc x 1-3/4
49	532155066	Roller Asm Cam Follower 42" dec	--	532171491	Deck Serv 42" Vent (Standard Deck - Order Nose Roller and Gauge Wheel components separately Key Nos. 90-95 and 111-121)
50	532131340	Bolt Shldr 10-24 Zinc Gr 5 42"			
51	532069180	Nut Lock #10-24 Unc			
52	532139888	Bolt Shoulder 5/16-18 Unc Blkz	--	532130794	Mandrel Assembly (Includes Key Numbers 8-10, 12-15, 31 and 33)
53	532131845	Arm Asm Pad Brake			
54	532133943	Washer Hardened			
55	532155046	Arm Idler 42"mower LT/YT			
56	532165723	Spacer Retainer Mower			
59	532141043	Guard, Bel			

NOTE: All component dimensions given in U.S. inches
1 inch = 25.4 mm

REPAIR PARTS

TRACTOR - MODEL NO. LT15 (J8F1542E), PRODUCT NO. 954 13 00-36

MOWER LIFT



REPAIR PARTS

TRACTOR - MODEL NO. LT15 (J8F1542E), PRODUCT NO. 954 13 00-36

MOWER LIFT

KEY NO.	PART NO.	DESCRIPTION
1	532159460	Wire Asm Inner W/plunger
2	532159471	Shaft Asm Lift RH
3	532105767	Pin Groove 1 500 Zinc
4	812000002	E Ring #5133-62
5	819211621	Washer 21/32 X 1 X 21 Ga
6	532120183	Bearing Nylon Blk 629 Id
7	532125631	Grip Handle Flute Blk.
8	532122365	Button Plunger
11	532139865	Link Lift LH Fixed Length
12	532139866	Link Lift RH Fixed Length
13	532124670	Retainer Spring
15	532167253	Link Front
16	873350800	Nut Jam Hex 1/2-13 Unc
17	532130171	Trunnion Blk Zinc
18	873800800	Nut Lock w/wsh 1/2-13 Unc
19	532139868	Arm Suspension Rear
20	532163552	Retainer Spring
23	532110807	Nut Special
24	819131016	Washer 13/32 X 5/8 X 16 Ga
25	532124874	Spring 2-1/8"
26	532169484	Retainer Clip
27	532126971	Rod Adj Lift Zinc 7.49 Wrk Lg
28	873350600	Nut Hex Jam 3/8-16 Unc
29	532138057	Knob Inf 3/8-16 Unc Blk W/sym
30	532150233	Trunnion Dp Stop Dbl Thds PLT
31	532140302	Bearing Pvt Lift Spherical
32	873540600	Nut Crownlock 3/8-24
36	532155097	Pointer Pnt Height ind .505
37	532123935	Plug Hole Blk 1.485/1.515 Dia.
38	817060516	Screw 5/16-18 x 1
40	819112410	Washer 11/32 x 1-1/2 10 Ga.
41	532155098	Scale Ind. Height Blk.
49	532145212	Nut Hex Flange Lock
50	532110452	Nut Push Phos & Oil

NOTE: All component dimensions given in U.S. inches
1 inch = 25.4 mm