

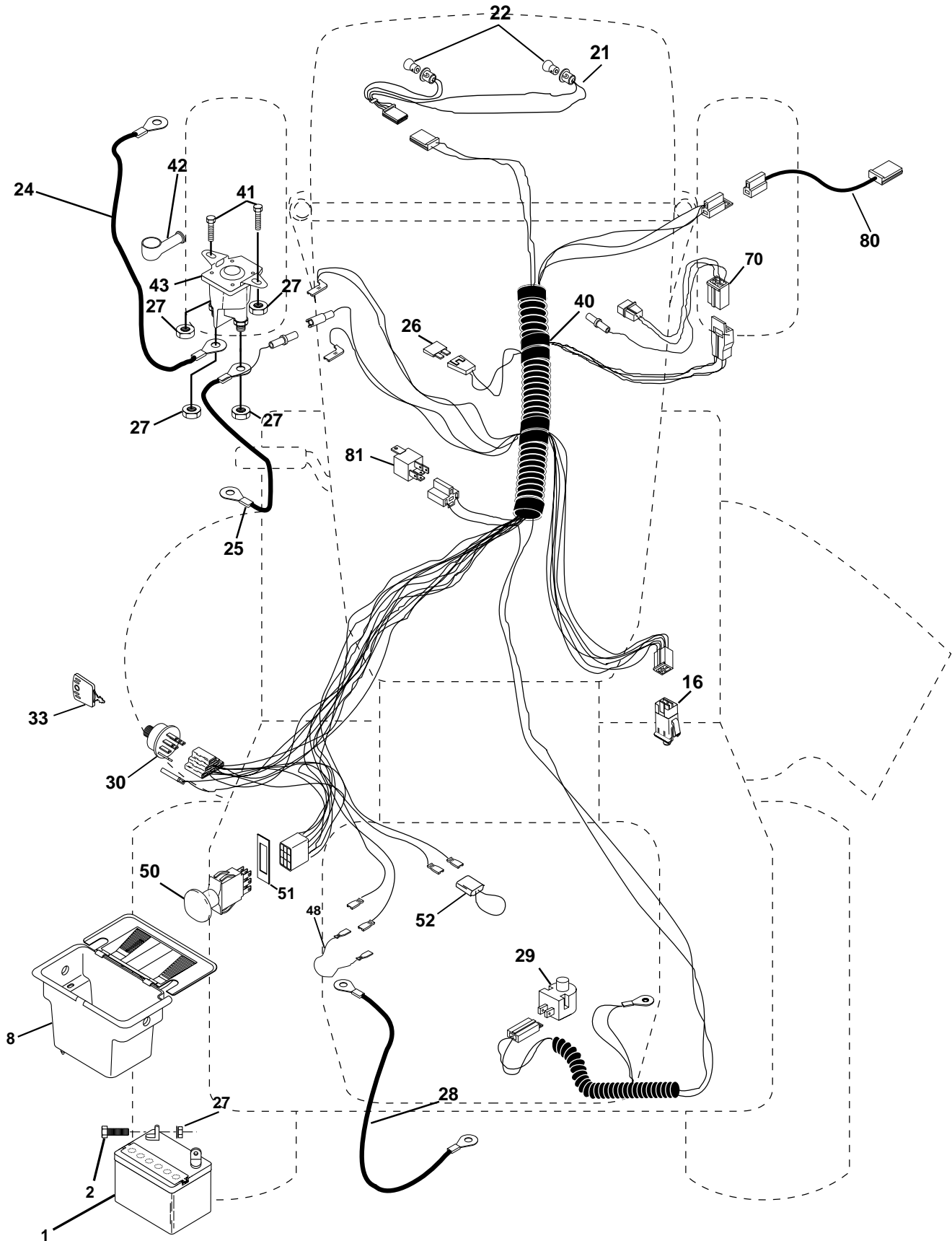
LT 16 A

Spare parts
Ersatzteile
Pièces détachées
Reserve onderdelen
Repuestos
Reservdelar

REPAIR PARTS

TRACTOR - MODEL NO. LT16A (J816H42F), PRODUCT NO. 954 13 00-38

ELECTRICAL



REPAIR PARTS

TRACTOR - MODEL NO. LT16A (J816H42F), PRODUCT NO. 954 13 00-38

ELECTRICAL

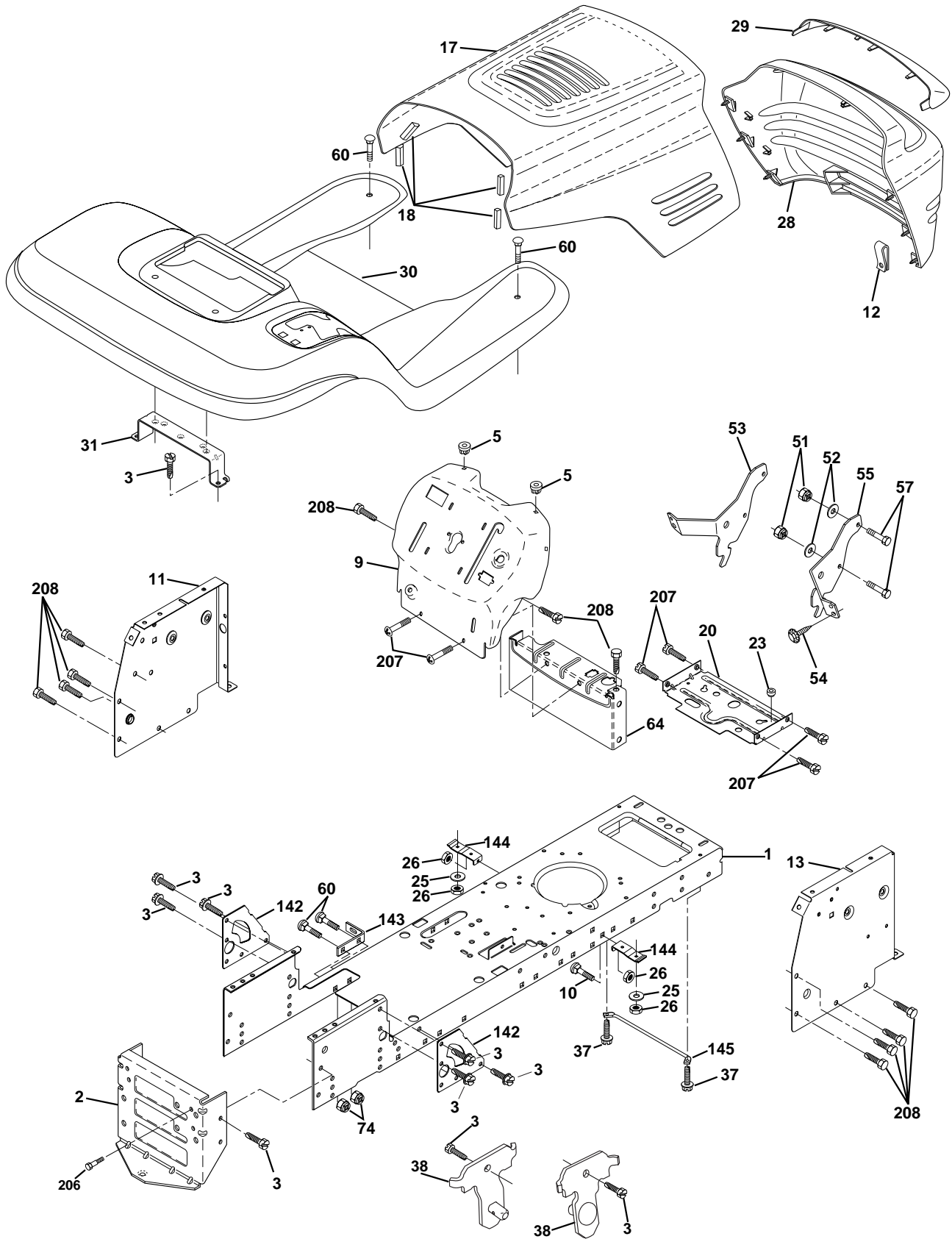
KEY NO.	PART NO.	DESCRIPTION
1	532144925	Battery
2	874760412	Bolt Hex Hd 1/4-20unc X 3/4
8	532156417	Case Battery Mech. Hinge
16	532153664	Switch Interlock Push-In
20	873350400	Nut Jam Hex 1/4-20 Unc
21	532166182	Harness Asm Light W/4152J
22	532004152	Bulb Light #1156
24	532124780	Cable Battery 6 Ga 11"red
25	532146147	Cable Battery 6 Ga W/16 Ga Wire 44"
26	532166180	Fuse 15 AMP
27	873510400	Nut Keps Hex 1/4-20 UNC
28	532124773	Cable Ground 6 Ga 12"black
29	532160784	Switch Plunger Normal Op Olive
30	532163968	Switch Ignition Delta Push-In
33	532140401	Key Ign Molded Generic Delta
40	532170222	Harness Ign.
41	871110408	Bolt Hex Hd. Fin 1/4-20 x 1/2 Gr. 5
42	532131563	Cover Terminal Red
43	532145673	Solenoid
48	532140344	Adapter Ammeter
50	532169417	Switch PTO 3 PDT Black
51	532140405	Ring Retainer PTO
52	532141940	Protection Wire Loop
70	532170247	Harness Engine
80	532146685	Harness Clutch Evx
81	532109748	Relay Asm

NOTE: All component dimensions given in U.S. inches
1 inch = 25.4 mm.

REPAIR PARTS

TRACTOR - MODEL NO. LT16A (J816H42F), PRODUCT NO. 954 13 00-38

CHASSIS AND ENCLOSURES



REPAIR PARTS

TRACTOR - MODEL NO. LT16A (J816H42F), PRODUCT NO. 954 13 00-38

CHASSIS AND ENCLOSURES

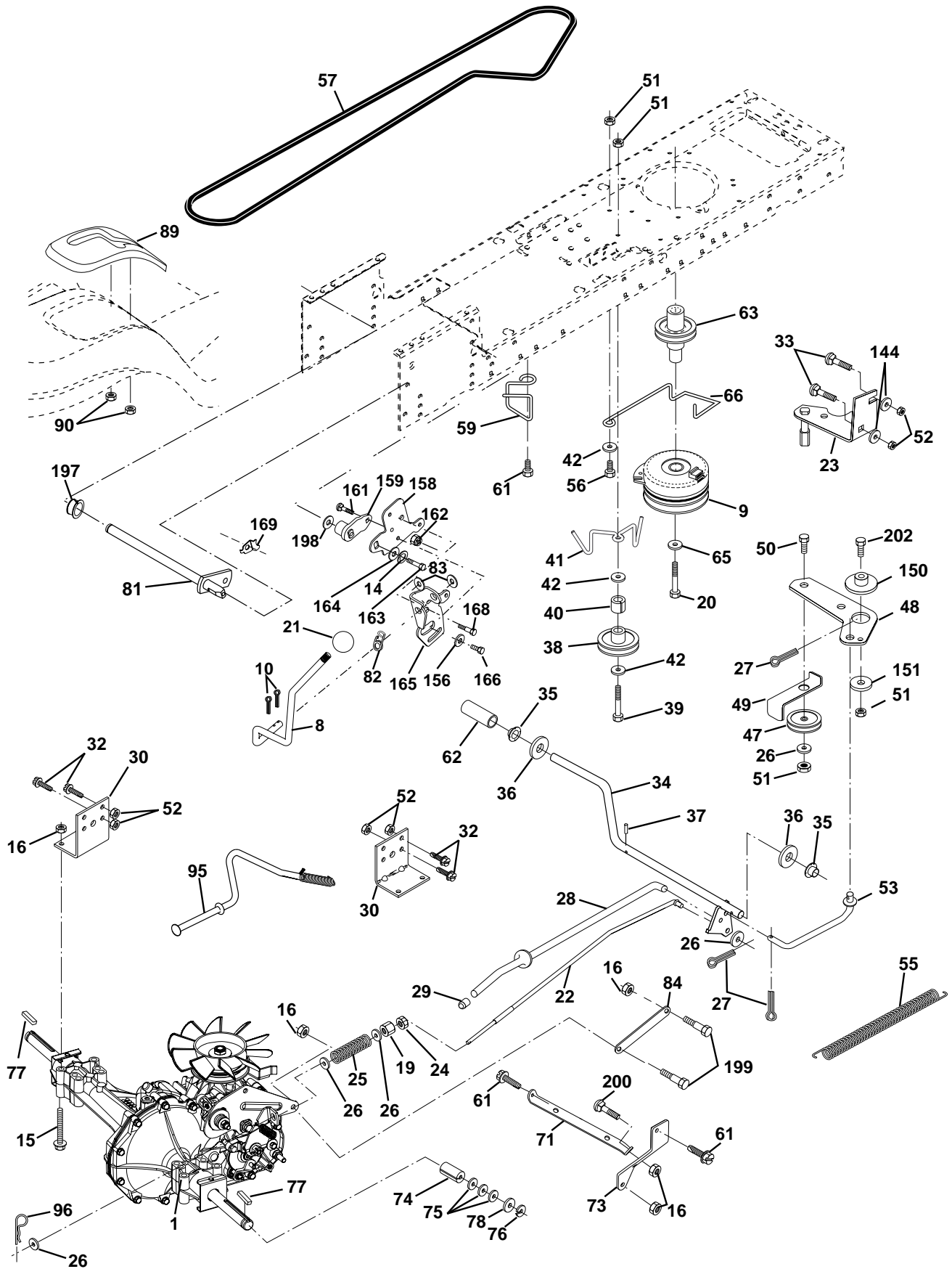
KEY NO.	PART NO.	DESCRIPTION
1	532169830	Chassis Wldmt.
2	532169061	Drawbar 12 Ga
3	817060612	Screw 3/8-16 x .75 SMGML Tap/R.Z
5	532155272	Bumper Hood/Dash
9	532172294	Dash Private Label
10	872140608	Bolt RdHd Sqnk. 3/8-16 x 1
11	532155927	Panel Asm. Dash Lh
12	532145660	Clip Tinnerman Grille P/L
13	532169118	Panel Dash Rh
17	532150760	Hood Pnt w/Side Louvers
18	532126938	Bumper Hood
20	532156437	Plate Mtg Battery/Fuel Tank 95
23	532124028	Bushing Snap Nyl. Blk Fuel Line
25	819131312	Washer 13/32 x 13/16 x 12 Ga.
26	873800600	Nut Lock Hex w/Ins 3/8-16 Unc
28	532169509	Grill w/Clips
29	532166603	Lens Grille
30	532172157	Fender /Ftrest Pnt STL
31	532139976	Bracket Fender
37	817490508	Screw Thdrol 5/16-18 x 1/2
38	532169834	Bracket Asm. Pvt. Mwr. Rear
51	873800400	Nut Lock Hex W/Ins. 1/4-20
52	819091416	Washer 9/32 x 7/8 x 16 Ga.
53	532145201	Bracket Grille Pickoff LH
54	532161464	Screw Hex Wshd 8-18 x 7/8
55	532145202	Bracket Grille Pickoff RH
57	874780412	Bolt Fin Hex 1/4-20 x 3/4
60	872140606	Bolt Rdhd Sqnk 3/8-16 UNC x 3/4
64	532154798	Dash Lower STLT
74	873680600	Nut, Crownlock 3/8-16 UNC
142	532165867	Plate Reinforcement STLT
143	532154966	Brace Axle
144	532154207	Bracket Footrest STLT
145	532156524	Rod Pivot Chassis/Hood
206	532170165	Bolt Shoulder 5/16-18
207	817670508	Screw Thdrol 5/16-18 x 1/2
208	817670608	Screw Thdrol 3/8-16 x 1/2
--	532005479	Plug Button Blk .359 Dia. Choke

NOTE: All component dimensions given in U. S. inches
1 inch = 25.4 mm

REPAIR PARTS

TRACTOR - MODEL NO. LT16A (J816H42F), PRODUCT NO. 954 13 00-38

DRIVE



REPAIR PARTS

TRACTOR - MODEL NO. LT16A (J816H42F), PRODUCT NO. 954 13 00-38

DRIVE

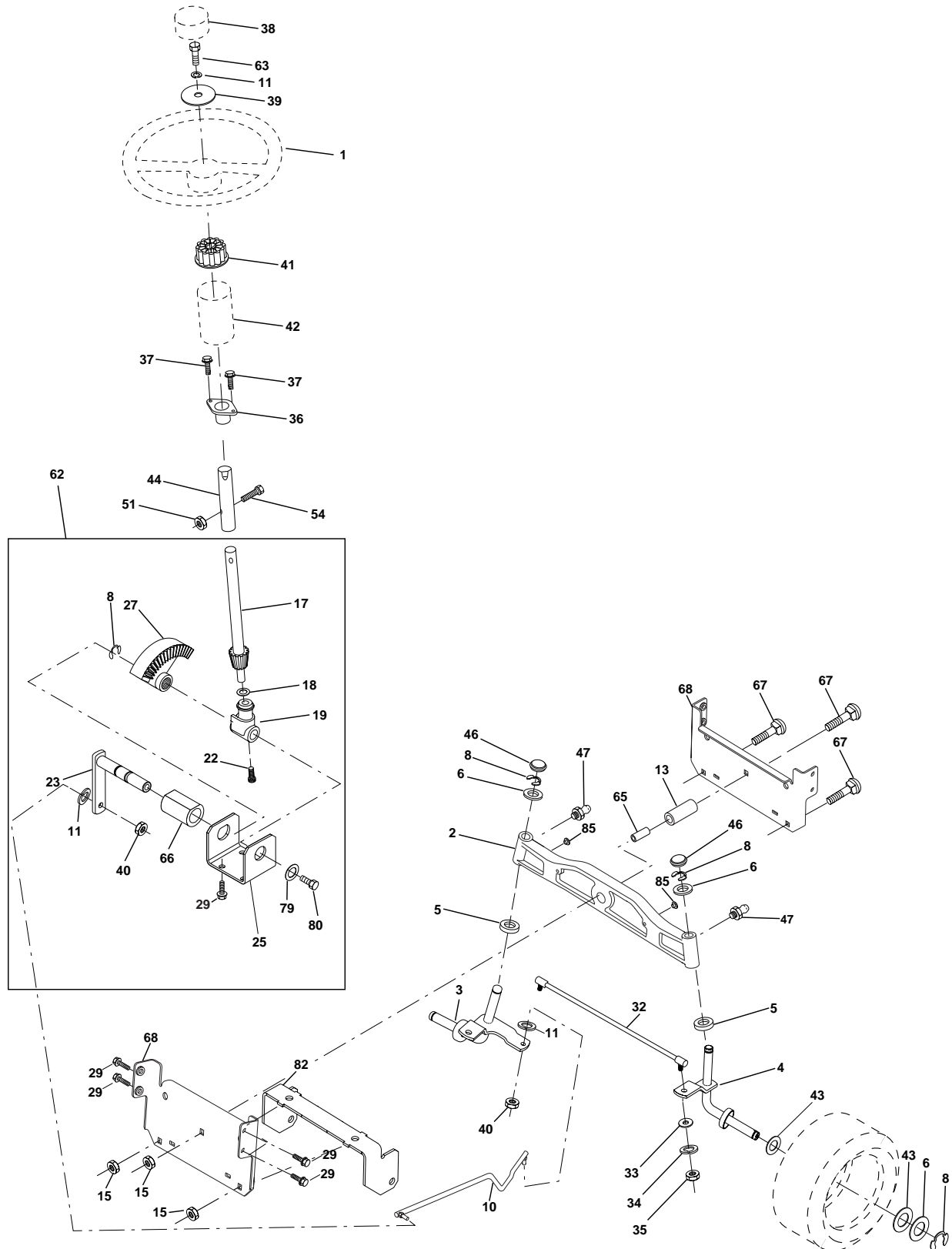
KEY NO.	PART NO.	DESCRIPTION	KEY NO.	PART NO.	DESCRIPTION
1	-----	Transaxle Hydro Gear 314-0510 Order parts from transaxle manufacturer	59	532169691	Keeper, Center Span
8	532165866	Rod Shift Fender	61	817060612	Screw 3/8-16 x .75 SMGML Tap/R.Z
9	532145028	Clutch Electric	62	532124872	Cover, Pedal
10	876020416	Pin Cotter 1/8 x 1 CAD	63	532145868	Pulley, Engine
14	810040400	Washer Lock Hvy Helical	65	810040700	Washer
15	874490544	Bolt Hex Flghd. 5/16-18 Gr.5	66	532154778	Keeper Belt Engine Hydro
16	873800500	Nut Lock Hex W/Ins. 5/16-18 Unc P	71	532169183	Strap Torque Lh Hydro
19	873800600	Nut Lock Hex W/Wsh 3/8-16 Unc	73	532169182	Strap Torque Rh Hydro
20	532150280	Bolt, Hex 7/16-20 x 4-1/4	74	532169496	Spacer, Axle
21	532130564	Knob Deluxe	75	532121749	Washer 25/32 x 1-1/4 x 16 Ga.
22	532169498	Rod, Brake Hydro	76	812000001	E-Ring
23	532171258	Bracket Asm Anti Rot	77	532123583	Key, Square
24	873350600	Locknut	78	532121748	Washer 25/32 x 1-5/8 x 16 Ga.
25	532106888	Spring, Brake Rod	81	532165596	Shaft Asm Cross Tapered 510 20"
26	819131316	Washer	82	532165711	Spring Torsion T/A
27	876020412	Pin Cotter 1/8 x 3/4 CAD.	83	819171216	Washer 17/32 x 3/4 x 16 Ga.
28	532145204	Rod, Parking Brake	84	532169594	Link Transaxle HB-0510
29	532071673	Cap, Parking Brake	89	532166602	Console, Shift
30	532169592	Bracket, Transaxle	90	532124346	Nut, Self Thd Wsh Hd 1/4 Zinc
32	874760512	Bolt Hex Hd 5/16-18 Unc x 3/4	95	532170201	Control Asm. Bypass Hydro
33	872140506	Bolt Carriage 5/16-18 UNC x 3/4	96	532124788	Retainer Spring 1" Zinc/Cad
34	532155071	Shaft, Foot Pedal	144	819111016	Washer 11/32 x 5/8 x 16 Ga
35	532120183	Bearing, Nylon	150	532165850	Bushing Bellcrank Grd Drive
36	819211616	Washer	151	819133210	Washer 13/32 x 2 x 10 Ga.
37	532124963	Pin, Roll	156	532166002	Washer Srrted 5/16ID x 1.125
38	532131494	Pulley, Idler, Flat	158	532165589	Bracket Shift Mount
39	872110622	Bolt	159	532165494	Hub Tapered Flange Shift Lt
40	532124965	Spacer Split	161	872140406	Bolt Rdhd Sqnk 1/4-20 x 3/4 Gr 5
41	532165838	Keeper, Belt Idler Flat	162	873680400	Nut Crownlock 1/4-20 Unc
42	819131312	Washer 13/32 x 13/16 x 12 Gauge	163	874780416	Bolt Hex Fin 1/4-20 Unc x 1 Gr 5
47	532127783	Pulley, Idler, V-Groove	164	819091010	Washer 5/8 x .281 x 10 Ga
48	532154407	Bellcrank Grnd Clutch	165	532165623	Bracket Pivot Lever
49	532123205	Retainer, Belt	166	532166880	Screw 5/16-18 x 5/8
50	874760624	Bolt	168	532165492	Bolt Shoulxder 5/16-18 x .561
51	873680600	Nut	169	532165580	Plate Fasteneing Lt
52	873680500	Nut Crown Lock 5/16-18	197	532169613	Nylinder Snap-In
53	532105710	Link, Clutch	198	532169593	Washer Nyl. 7/8 ID x .105"
55	532105709	Spring, Return, Clutch	199	532169612	Bolt Shoulder 5/16-18
56	874760620	Bolt	200	872140508	Bolt Rdhd Sqnk 5/16-18 x 1
57	531013140	V-Belt, Ground Drive	202	872110612	Bolt Carr Sh 3/8-16 x 1-1/2 Gr 5

NOTE: All component dimensions given in U.S. inches
1 inch = 25.4 mm.

REPAIR PARTS

TRACTOR - MODEL NO. LT16A (J816H42F), PRODUCT NO. 954 13 00-38

STEERING ASSEMBLY



REPAIR PARTS

TRACTOR - MODEL NO. LT16A (J816H42F), PRODUCT NO. 954 13 00-38

STEERING ASSEMBLY

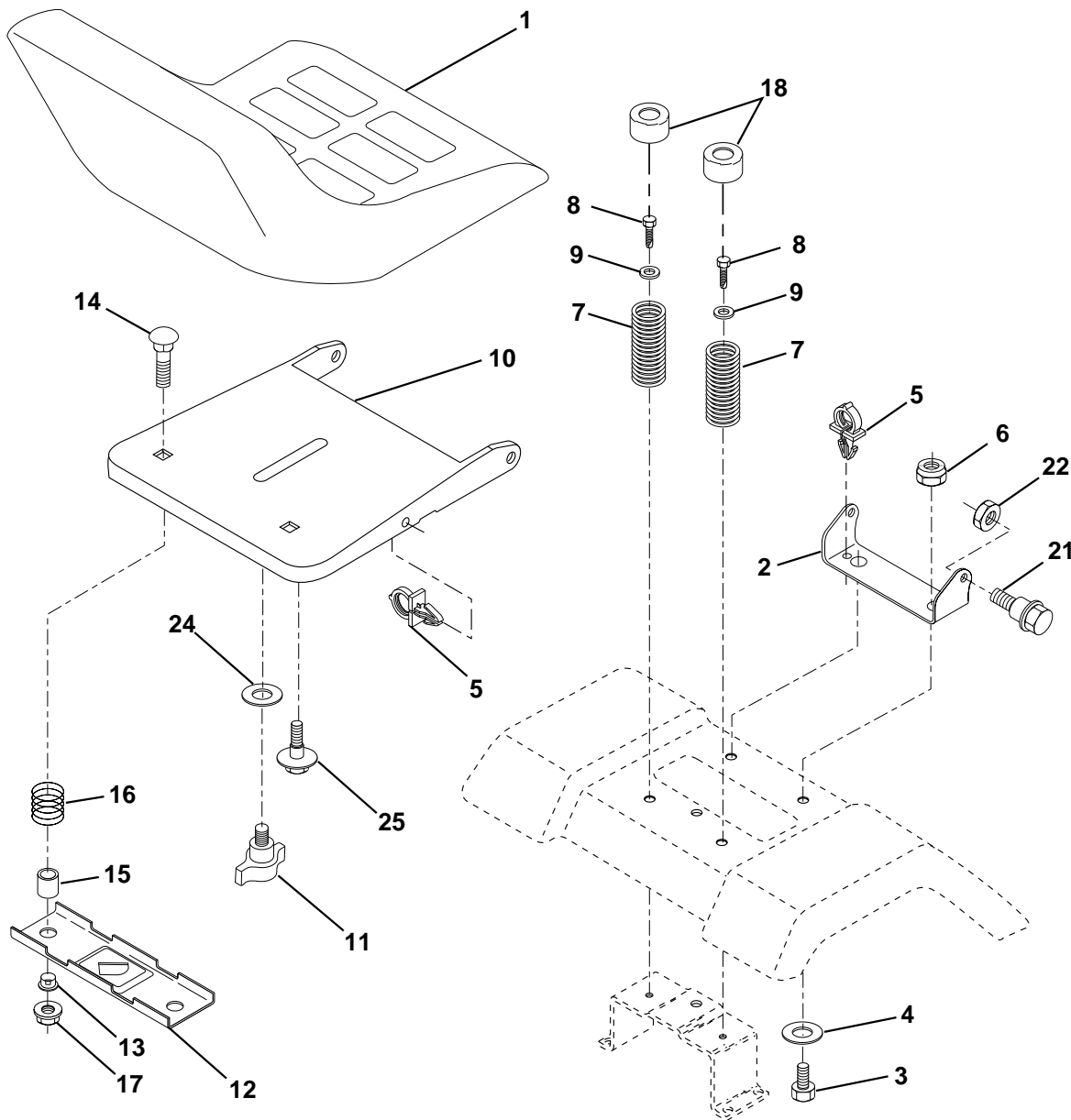
KEY NO.	PART NO.	DESCRIPTION
1	532172092	Wheel Steering
2	532165854	Axle Front Casting Machined
3	532169840	Spindle Asm LH
4	532169839	Spindle Asm Stmp RH
5	532124931	Bearing Race Thrust Harden
6	532121748	Washer 25/32 X 1-5/8 X 16 Ga
7	819212016	Washer 21/32 x 1-1/4 x 16 Ga.
8	812000029	Ring Klip #t5304-75
10	532169832	Link Drag 15" Tires
11	810040600	Washer Lock Hvy Hlcl Spr 3/8
13	532136518	Spacer Bearing Axle Front
15	532145212	Nut Hex Flange Lock
17	532156546	Shaft Asm Strg Private Label
18	532057079	Washer Thrust 515x 750x 033
19	532160395	Support Shaft Steering
22	532165857	Screw Hex Wsh hd Torx
23	532165851	Shaft Asm Pittman
25	532154406	Bracket Steering
27	532136874	Gear Sector 22 Teeth
29	817060612	Screw 3/8-16 x .75 SMGML
32	532139929	Rod Asm Tie Ball J Solid
33	819111216	Washer 11/32 x 3/4 x 16 Ga.
34	810040500	Washer Lock Hvy HLCL Spr. 5/16
35	873680500	Nut Crown Lock 5/16-18
36	532155099	Bushing Strg
37	532152927	Screw TT #32.5 x 5 x 3/8 Flange
38	532172093	Cap Wheel Steer
39	819132411	Washer 13/32 x 1-1/20 x 11 Ga
40	532124701	Nut Lock Center 3/8-24 Unf
41	532159945	Adaptor Wheel Strg
42	532169633	Boot Dash Steering
43	532121749	Washer 25/32 X 1 1/4 X 16 Ga
44	532153720	Extension Steering Non-adjust
46	532121232	Cap Spindle Fr Top Blk
47	532124836	Fitting Grease
51	873800500	Nut Lock Hex W/Ins 5/16-18 UNC
54	874780520	Bolt Fin Hex 5/16-18 UNC x 1-1/4
62	532167902	Steering Assembly
63	874780616	Bolt Fin Hex 3/8-16 UNC x 1 Gr. 5
65	532160367	Spacer
66	532154404	Bearing Arm Pittman
67	872110613	Bolt Rdhd Sqnk 3/8-16 x 2-1/4
68	532169827	Brace, Axle
79	819132012	Washer 13/32 x 1-1/4 x 12 Ga
80	874950612	Bolt Hex Nylon 3/8-16 x 3/4
82	532169835	Bracket Susp Chassis
85	532133825	Fastner Christmas Tree

NOTE: All component dimensions given in U.S. inches
1 inch = 25.4 mm.

REPAIR PARTS

TRACTOR - MODEL NO. LT16A (J816H42F), PRODUCT NO. 954 13 00-38

SEAT ASSEMBLY



KEY NO.	PART NO.	DESCRIPTION
1	532140118	Seat
2	532140551	Bracket Pivot Seat 8 720
3	871110616	Bolt Hex 3/8-16unc x 1
4	819131610	Washer 13/32 X 1 X 10 Ga
5	532145006	Clip Push-In Hinged
6	873800600	Nut Lock Hex w/Ins. 3/8-16 Unc
7	532124181	Spring Seat Cprsn 2 250 Blk Zi
8	817000616	Screw 3/8-16 X 1.5 SMGML
9	819131614	Washer 13/32 X 1 X 14 Ga
10	532155925	Pan Seat
11	532166369	Knob Seat Adj Wingnut
12	532121246	Bracket Mounting Switch

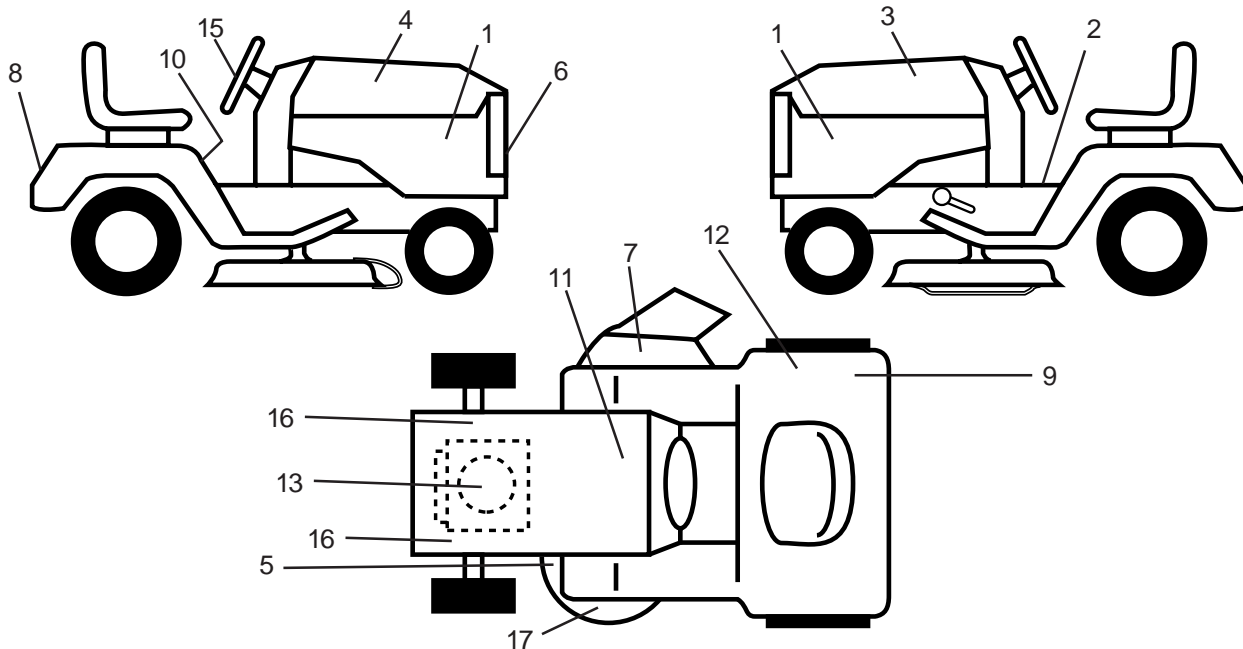
KEY NO.	PART NO.	DESCRIPTION
13	532121248	Bushing Snap Blk Nyl 50 Id
14	872050412	Bolt Rdhd Sht Nk 1/4-20x1-1/2
15	532121249	Spacer Split 28x 88 Zinc
16	532123740	Spring Cprsn 1 310 Blk Pnt
17	532123976	Nut Lock 1/4 Lge Flg Gr 5 Zinc
18	532124238	Cap Spring Seat
21	532171852	Bolt Shoulder 5/16-18 Unc-2A
22	873800500	Nut Lock 5/16-18
24	819171912	Washer 17/32 X 1-3/16 X 12 Ga
25	532127018	Bolt Shoulder 5/16-18 X 62

NOTE: All component dimensions given in U.S. inches
1 inch = 25.4 mm.

REPAIR PARTS

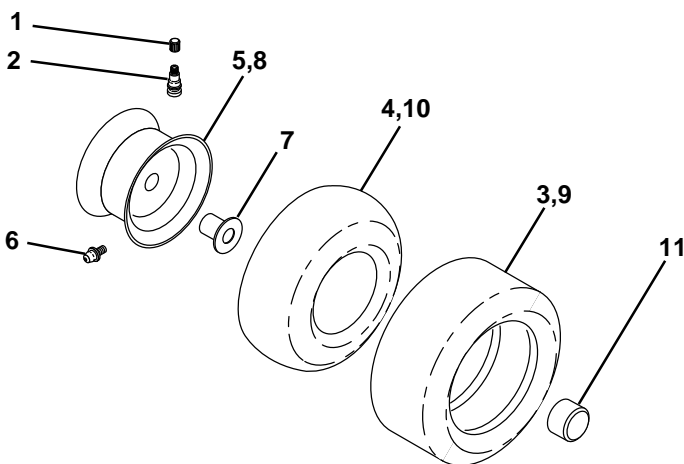
TRACTOR - MODEL NO. LT16A (J816H42F), PRODUCT NO. 954 13 00-38

DECALS



KEY NO.	PART NO.	DESCRIPTION	KEY NO.	PART NO.	DESCRIPTION
1	532162927	Decal Hood Insert B&S White	13	532170855	Decal Engine
2	532140837	Decal, Brake Parking Sandle	15	532170565	Decal, Logo Steering Wheel Cap
3	532170601	Decal, Hood, L. H.	16	532159736	Decal, Chassis Hot Muffler
4	532170600	Decal, Hood, R.H.	17	532159737	Decal, Brake/Clutch Symbol LT
5	532160396	Decal, V-Belt Sch.	--	532162598	Decal, Drawbar Load Limit
6	532152262	Decal, Grille Jonsered LT	--	532138311	Decal, Handle Lift Height Adjust. (Lift Handle)
7	532145494	Decal, Mower Cutfinger Symbol	--	532169210	Decal, By-Pass Lt Hydro
8	532141761	Decal, Logo, Fender	--	532171284	Pad, Footrest LH
9	532126187	Decal, 100 DBA	--	532171285	Pad, Footrest RH
10	532145498	Decal, Read Owners Manual	--	532172008	Manual, Operator's (Euro)
11	532145005	Decal, Bat Dan/Poi P/L Sym	--	532172009	Manual, Operators, (Scan)
12	532145437	Decal, Europe Stand. CE Syms			

WHEELS & TIRES



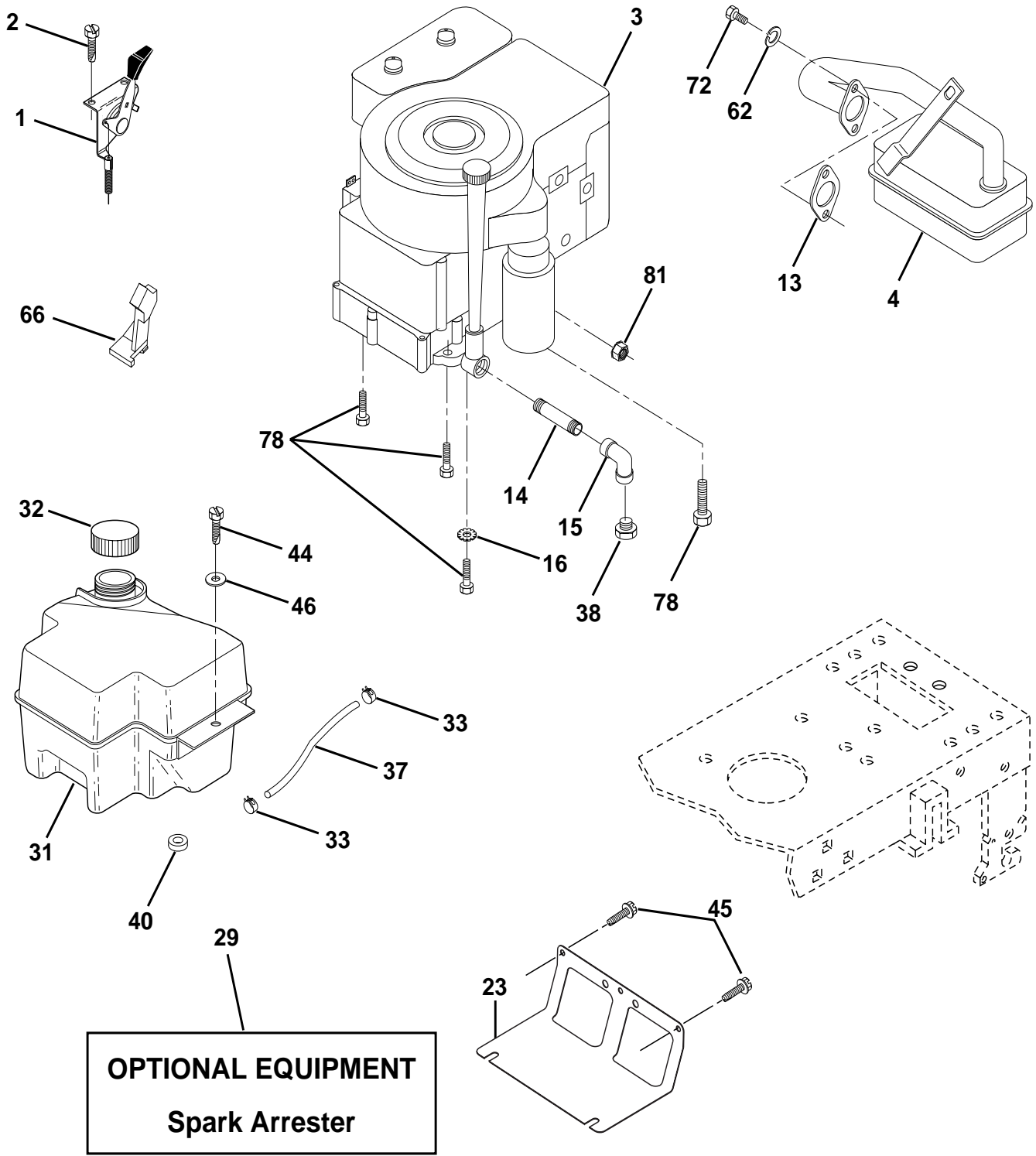
KEY NO.	PART NO.	DESCRIPTION
1	532059192	Cap Valve Tire
2	532065139	Stem Valve
3	532106222	Tire F Ts 15 X 6 0 - 6 Service
4	532059904	Tube Front (Service Item Only)
5	532138336	Rim Asm 6"front Silver Service
6	532124957	Fitting Grease (Front Wheel Only)
7	532124959	Bearing Flange (Front Wheel Only)
8	532138337	Rim Asm 8"rear Silver Service
9	532122082	Tire R Ts 20x10-8 C Service
10	532124926	Tube Rear (Service Item Only)
11	532104757	Cap Axle Blk 1 50 X 1 00
--	532144334	Sealant, Tire (10 oz. tube)

NOTE: All component dimensions given in U.S. inches
1 inch = 25.4 mm

REPAIR PARTS

TRACTOR - MODEL NO. LT16A (J816H42F), PRODUCT NO. 954 13 00-38

ENGINE



REPAIR PARTS

TRACTOR - MODEL NO. LT16A (J816H42F), PRODUCT NO. 954 13 00-38

ENGINE

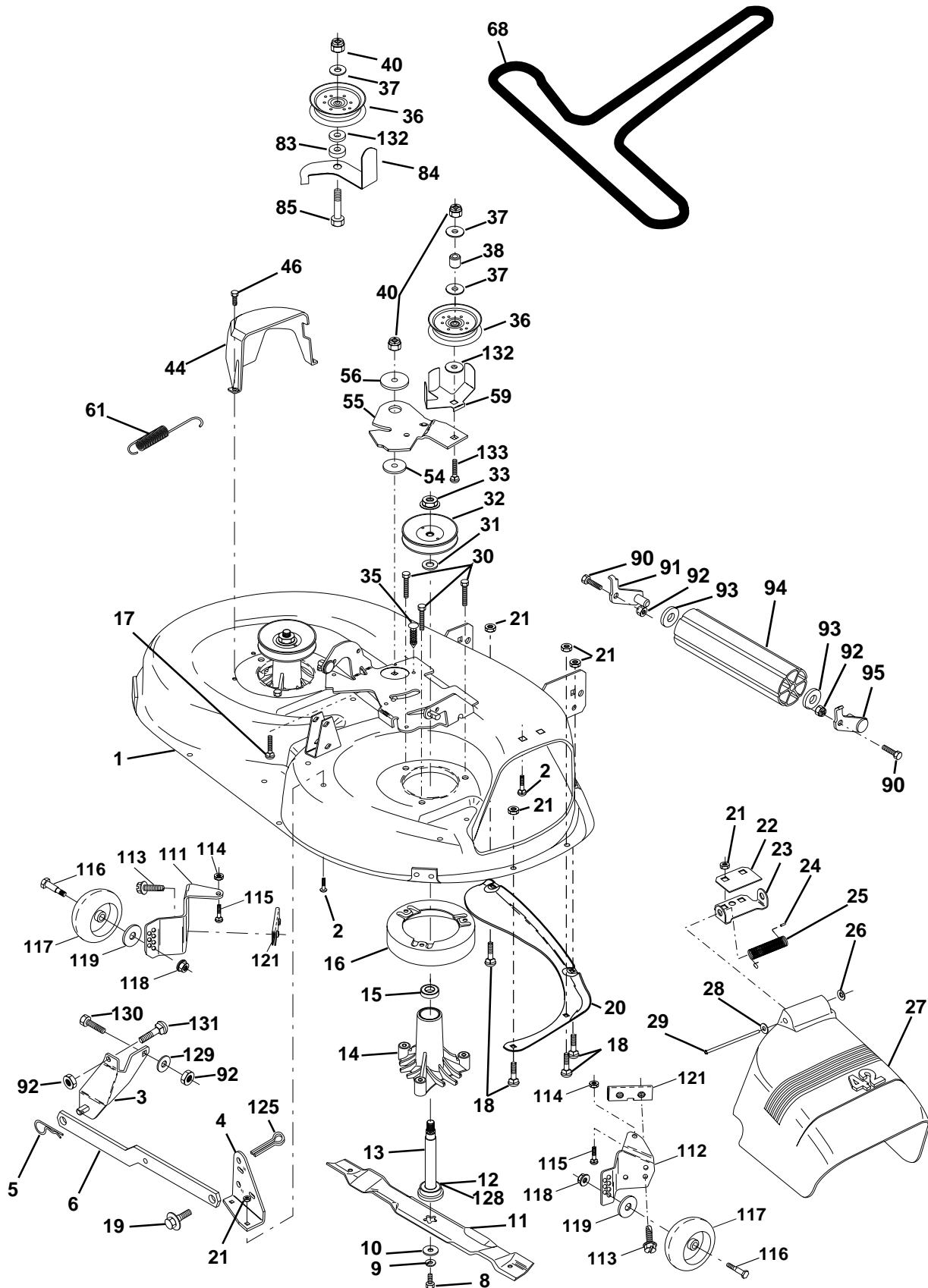
KEY NO.	PART NO.	DESCRIPTION
1	532141359	Control Th/ch LH Blk
2	817720410	Screw Hex Thd Cut 1/4-20x5/8 T
3	-----	Engine Briggs Model No. 311777 Order parts from engine manufacturer
4	532137352	Muffler LT B&S 14HP Ic/ohv
13	532165291	Gasket Eng
14	813280324	Nipple Pipe 3/8 Npt X 3"
15	813200300	Elbow Std 90 Degree 3/8-18 Npt
16	811050600	Washer Lock Ext Tooth 3/8
23	532169837	Shield Browning/Debris Guard
29	532137180	Kit Spark Arrestor
31	532161911	Tank Fuel Front 2 00
32	532140527	Cap Asm Fuel Top Vented N/Lang
33	532123487	Clamp Hose Black
37	532137040	Line Fuel 20" Front Fuel Tank
38	-----	Plug Oil Drain (Order From Engine Manufacturer)
40	532124028	Bushing Snap Nyl Blk Fuel Line
44	817490412	Screw Hex Wash Thdrol 1/4-20 x 3/4
45	817060612	Screw 3/8-16 x .75 SMGML
46	819091416	Washer 9/32 x 7/8 x 16 Ga.
62	810040500	Washer Lock Hvy Hlcl Spr 5/16
66	532127951	Stop Throttle
72	871070512	Screw Hexhd Cap 5/16-18x3/4
78	817060620	Screw 3/8-16 x 1-1/4 SMGML
81	532128861	Nut Flange 1/4-20 Starter Nut

NOTE: All component dimensions given in U.S. inches
1 inch = 25.4 mm

REPAIR PARTS

TRACTOR - MODEL NO. LT16A (J816H42F), PRODUCT NO. 954 13 00-38

MOWER DECK



REPAIR PARTS

TRACTOR - MODEL NO. LT16A (J816H42F), PRODUCT NO. 954 13 00-38

MOWER DECK

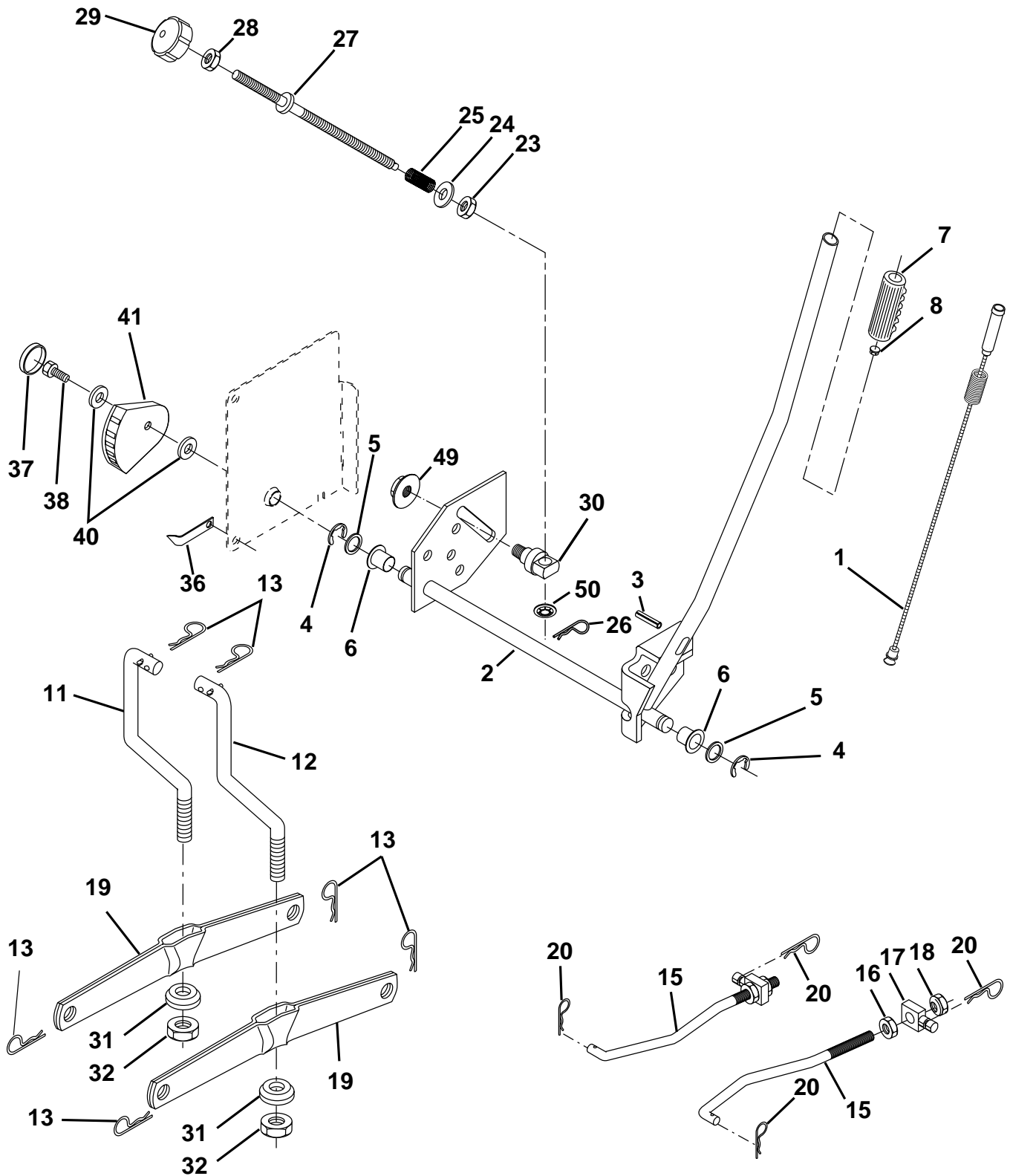
KEY NO.	PART NO.	DESCRIPTION	KEY NO.	PART NO.	DESCRIPTION
1	532164961	Housing Asm Mower 42" T-Path	55	532140084	Arm Idler 42"mower LT/YT
2	872140506	Bolt Rdhd Sqnk 5/16-18unc X3/4	56	532165723	Spacer Retainer Mower
3	532138017	Bracket Asm Fr Sway Bar 38/42	59	532141043	Guard, Belt
4	532138440	Bracket Asm Deck 42"sway Bar	61	532131950	Spring Ext. Elect
5	532124670	Retainer Spring	68	531013141	V-Belt Mower
6	532130832	Arm Suspension Rear	83	532120958	Washer Sintered
8	532850857	Bolt 3/8-24x1 25 Gr8 Patched	84	532156084	Keeper Belt Idler
9	810030600	Washer Lock Hvy 3/8 Unplated	85	872140620	Bolt Rdhd Sq 3/8-16 UNC x 2-1/2
10	532140296	Washer Hard Blade Mower Vented	90	874760616	Bolt Fin Hex 3/8-16unc X 1
11	531013134	Blade Mower High Lift"	91	532132274	Bracket Asm Noseroller LH
12	532129895	Bearing Ball #6204 (Mandrel)	92	873800600	Nut Lock Hex w/ins. 3/8-16 UNC
13	532137645	Shaft Asm W/lower Bearing	93	819171416	Washer 17/32 X 7/8 X 16 Ga
14	532128774	Housing Mandrel Vented(machd)	94	532132264	Roller Nose 38 & 42
15	532110485	Bearing Ball Mandrel	95	532132273	Bracket Asm Noseroller RH
16	532140329	Stripper Round Mower	111	532155197	Bracket Gauge Wheel Lh
17	872110618	Bolt Rdhd Sqnk 3/8-16 X 2-1/4	112	532155198	Bracket Gauge Wheel Rh
18	872140505	Bolt Carr 5/16-18 X 5/8	113	817060512	Screw 5/16-18 x 3/4
19	532132827	Bolt Shoulder	114	873510500	Nut Keps 5/16-18 UNC
20	532159770	Baffle Vortex 42	115	872110504	Bolt Carriage 5/16-18unc x 1/2
21	873680500	Nut Crown Lock 5/16-18	116	532124842	Bolt Shoulder
22	532134753	Stiffener Bracket 42"deck	117	532165746	Wheel Gauge Std
23	532131267	Bracket Deflector Mower 42"	118	873930600	Nut Centerlock 3/8-16 UNC
24	532105304	Cap Sleeve 80x 112 Blk Mower	119	819121414	Washer 3/8 x 7/8 x 14 Ga.
25	532123713	Spring Torsion Deflector 2 52	121	532143723	Bracket Extruded Gauge Wheel
26	532110452	Nut Push Phos & Oil	125	876020816	Cotter Pin
27	532171859	Shield Deflector	128	532153390	Washer Felt
28	819111016	Washer 11/32 X 5/8 X 16 Ga	129	819131312	Washer 13/32 x 13/16 x 12 Ga.
29	532131491	Rod Hinge 42"6 75 Wlg	130	874780616	Bolt Fin Hex 3/8-16 UNC x 1 Gr. 5
30	532157722	Screw Thdrol Washer Head	131	872140608	Bolt Rdhd Sqnk 3/8-16 UNC x1
31	532129963	Washer Spacer Mower Vented	132	819132203	Washer 13/32 x 1-3/8 x 3 Ga.
32	532153535	Pulley Mandrel	133	872110622	Bolt RDHD 3/8-16 UNC x 2-3/4 Gr.5
33	532137266	Nut 9/16top Lock Flng Cntr	--	532164964	Deck Serv 42" Elec Vent (Standard Deck - Order Nose Roller, Gauge Wheel and Mulcher Plate components separately Key Nos. 90-95 and 111-121)
35	532133835	Fastner Christmas Tree	--	532130794	Mandrel Assembly (Includes Key Numbers 8-10, 12-15, 31 and 33)
36	532131494	Pulley Idler Flat 3 060			
37	819131316	Washer 13/32 X 13/16 X 16 Ga			
38	532132823	Spacer Spring Stop Idler			
40	873680600	Nut Lock 3/8-16 Unc			
44	532140088	Guard Mandrel LH Black			
46	532137729	Screw Thdrol 1/4-20x5/8			
54	532133943	Washer Hardened			

NOTE: All component dimensions given in U.S. inches
1 inch = 25.4 mm

REPAIR PARTS

TRACTOR - MODEL NO. LT16A (J816H42F), PRODUCT NO. 954 13 00-38

MOWER LIFT



REPAIR PARTS

TRACTOR - MODEL NO. LT16A (J816H42F), PRODUCT NO. 954 13 00-38

MOWER LIFT

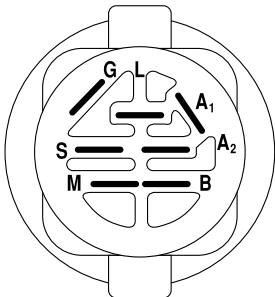
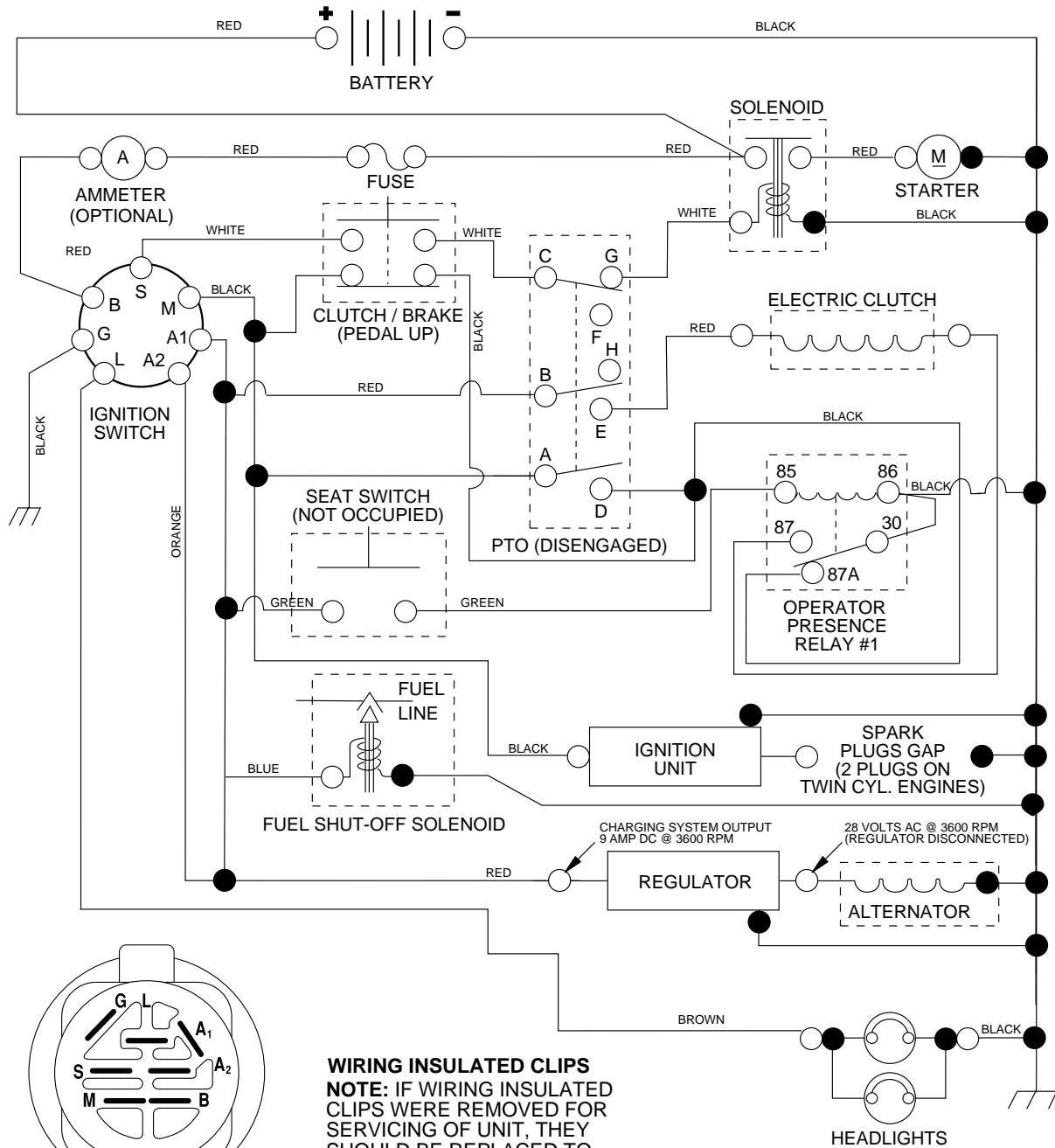
KEY NO.	PART NO.	DESCRIPTION
1	532159460	Wire Asm Inner/Sprg W/plunger LT
2	532159471	Shaft Asm Lift
3	532105767	Pin Groove
4	812000002	E Ring #5133-62
5	819211621	Washer 21/32 X 1 X 21 Ga.
6	532120183	Bearing Nylon Blk 629 Id
7	532125631	Grip Handle Fluted Blk
8	532122365	Button Plunger Red
11	532139865	Link Lift LH Mower
12	532139866	Link Lift RH Mower
13	532124670	Retainer Spring
15	532167253	Link Front
16	873350800	Nut Jam Hex 1/2-13 Unc
17	532130171	Trunnion Blk Zinc
18	873800800	Nut Lock W/wsh 1/2-13unc
19	532139868	Arm Suspension Rear
20	532163552	Retainer Spring
23	532110807	Nut Special
24	819131016	Washer 13/32 x 5/8 x 16 Ga.
25	532124874	Spring 2-1/8"
26	532169484	Retainer Clip
27	532126971	Rod Adj Lift
28	873350600	Nut Hex Jam 3/8-16 UNC
29	532138057	Knob Inf 3/8-16 UNC
30	532150233	Trunnion Inf. Height
31	532140302	Bearing Put Lift Spherical
32	873540600	Nut Crownlock 3/8-24
36	532155097	Pointer Height Ind
37	532123935	Plug Hole
38	817060516	Screw 5/16-18 x 1 SMGML Tap/R
40	819112410	Washer 11/32 x 1-1/2 x 10 Ga.
41	532155098	Ind Height STLT
49	532145212	Nut, Hex Flange Lock
50	532110452	Nut Push Phos & Oil

NOTE: All component dimensions given in U.S. inches
1 inch = 25.4 mm

REPAIR PARTS

TRACTOR - MODEL NO. LT16A (J816H42F), PRODUCT NO. 954 13 00-38

SCHEMATIC



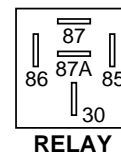
IGNITION SWITCH

POSITION	CIRCUIT	"MAKE"
OFF	M+G+A1	NONE
RUN/LIGHT	B+A1	A2+L
RUN	B+A1	NONE
START	B + S + A1	NONE

WIRING INSULATED CLIPS
NOTE: IF WIRING INSULATED CLIPS WERE REMOVED FOR SERVICING OF UNIT, THEY SHOULD BE REPLACED TO PROPERLY SECURE YOUR WIRING.

POSITION	CIRCUIT
OFF	C + G, B + H
ON	C + F, B + E, A + D

● NON-REMOVABLE CONNECTIONS
 ○ REMOVABLE CONNECTIONS



RELAY

