

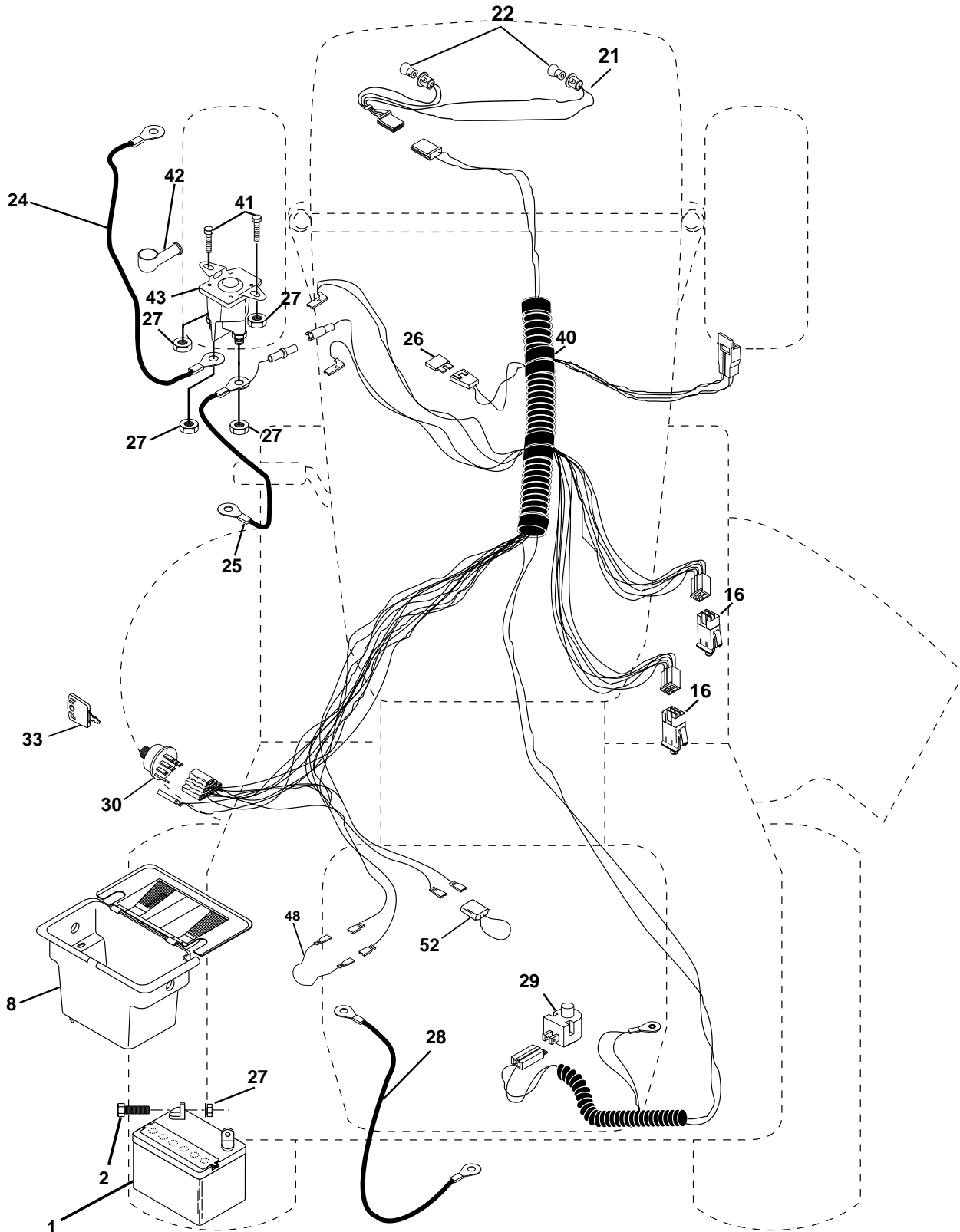
LT 13

Spare parts
Ersatzteile
Pièces détachées
Reserve onderdelen
Repuestos
Reservdelar

REPAIR PARTS

TRACTOR - MODEL NO. LT13 (J81342F), PRODUCT NO. 954 13 00-35

ELECTRICAL



REPAIR PARTS

TRACTOR - MODEL NO. LT13 (J81342F), PRODUCT NO. 954 13 00-35

ELECTRICAL

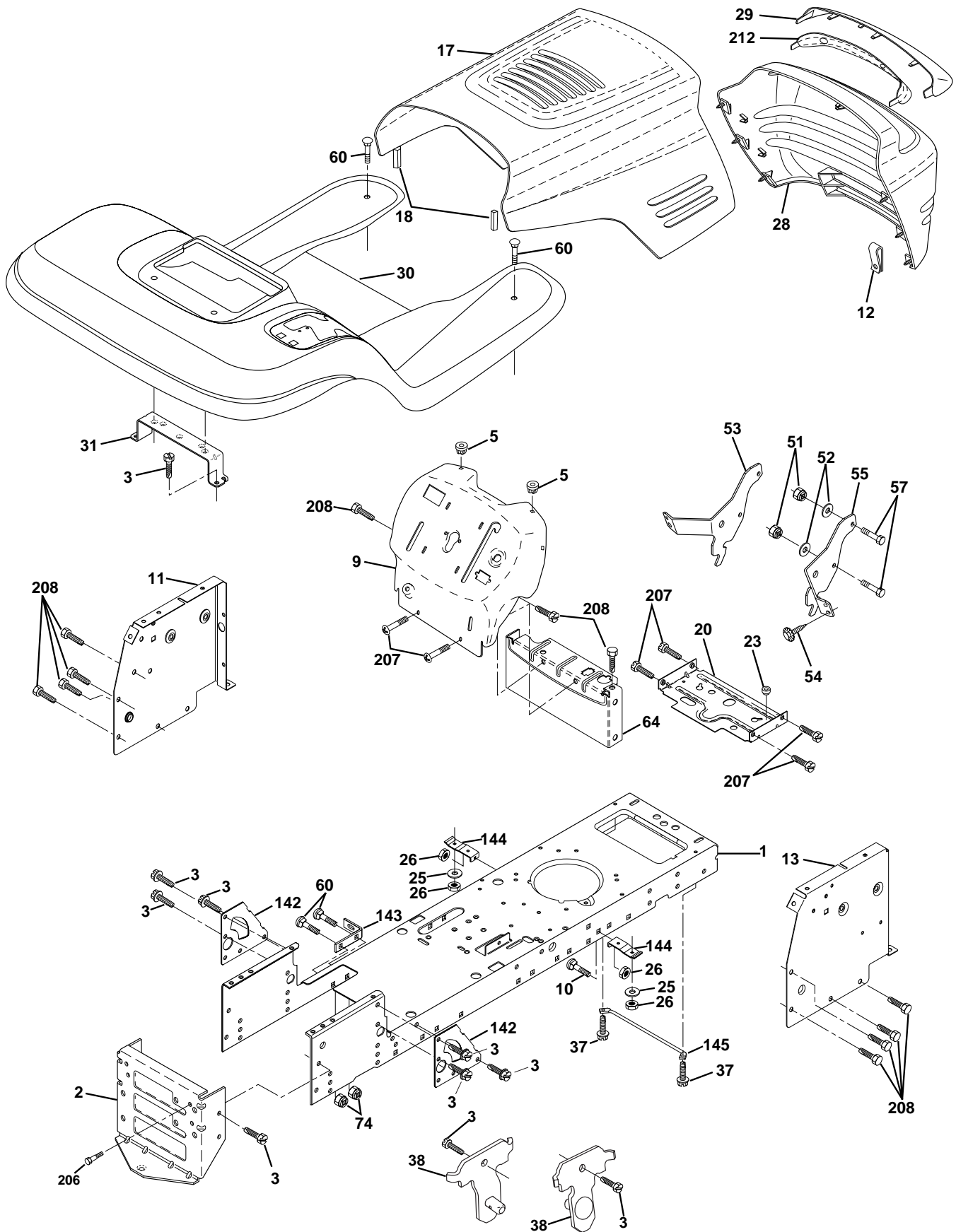
KEY NO.	PART NO.	DESCRIPTION
1	532144925	Battery 12 Volt 25 AMP
2	874760412	Bolt Hex Hd 1/4-20unc X 3/4
8	532156417	Case Battery Mech Hinge
16	532153664	Switch Interlock Push-In
20	873350400	Nut Jam Hex 1/4-20 Unc
21	532166182	Harness Asm Light W/4152j
22	532004152	Bulb Light #1156
24	532004799	Cable Battery 6 Ga 11" red
25	532146147	Cable Battery 6 Ga 44" red w/16 wire
26	532166180	Fuse 15 AMP
27	73510400	Nut Keps Hex 1/4-20 Unc
28	532004207	Cable Ground 6 Ga 12" black
29	532121305	Switch Plunger Nc Gray
30	532163968	Switch Ign
33	532140401	Key Ign
40	532170217	Harness Ign.
41	871110408	Bolt Blk Fin Hex 1/4 - 20 x 1/2
42	532131563	Cover Terminal Red
43	532145673	Solenoid
48	532140844	Adapter Ammeter
52	532141940	Protection Wire Loop

NOTE: All component dimensions given in U.S. inches.
1 inch = 25.4 mm.

REPAIR PARTS

TRACTOR - MODEL NO. LT13 (J81342F), PRODUCT NO. 954 13 00-35

CHASSIS AND ENCLOSURES



REPAIR PARTS

TRACTOR - MODEL NO. LT13 (J81342F), PRODUCT NO. 954 13 00-35 CHASSIS AND ENCLOSURES

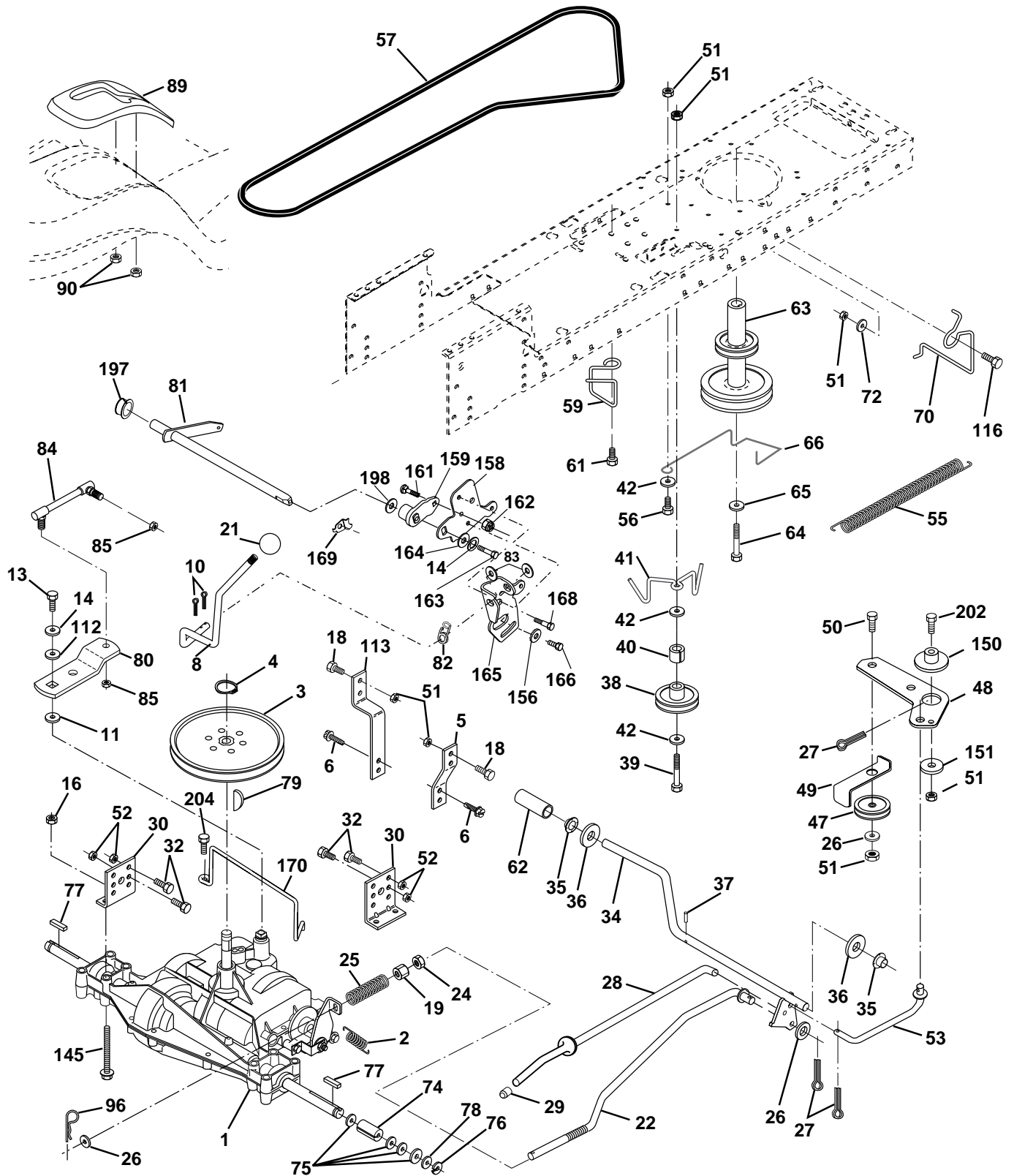
KEY NO.	PART NO.	DESCRIPTION
1	532169830	Chassis Weldment
2	532169061	Drawbar
3	817060612	Screw 3/8-16 x .75 SMGML
5	532155272	Bumper Hood/Dash
9	532172151	Dash P/L
10	872140608	Bolt Carriage 3/8-16 x 1
11	532155927	Panel Dash Lh
12	532145660	Clip Tinnerman Grille P/L
13	532169118	Panel Dash Rh
14	817490608	Screw Thdrol 3/8-16x1/2 Ty-tt
17	532150760	Hood LT/PL with Louvers
18	532126938	Bumper Hood
20	532156437	Plate Mtg Battery Fuel Tank Fr
23	532124028	Bushing
25	819131312	Washer 13/32 X 13/16 X 12 Ga
26	873800600	Nut Lock Hex W/Ins 3/8-16 Unc
28	532169509	Grill/Lens Asm.
29	532166603	Lens LT/PL Grille Shark Plain
30	532172157	Fender Footrest
31	532139976	Bracket Support Fender
37	817490508	Screw Thdrol 6/16-18 x 1/2 TYT
38	532169834	Bracket, Asm. Pivot
51	873800400	Nut Lock Hex W/Ins 1/4-20
52	819091416	Washer 9/32 x 7/8 x 16 Ga.
53	532145201	Bracket Pnt. Pickoff LH
54	532161464	Screw Hex Wshd 8-18 x 7/8
55	532145202	Bracket Grille Pickoff RH
57	874780412	Bolt Hex 1/4-20 x 3/4
60	872140606	Bolt Rdhd Sqnk 3/8-16unc x 3/4
64	532154798	Dash Lower STLT
74	873680600	Nut Crownlock 3/8-16 UNC
142	532165867	Plate Reinforcement STLT
143	532154966	Bracket Swaybar Chassis
144	532154207	Bracket Pnt Footrest STLT
145	532156524	Rod Pivot Chassis/Hood
207	817670508	Screw Thdrol 5/16-18 x 1/2
208	817670608	Screw Thdrol 3/8-16 x 1/2
212	532165919	Insert Lens Reflective
--	532005479	Plug Button

NOTE: All component dimensions given in U.S. inches
1 inch = 25.4 mm

REPAIR PARTS

TRACTOR - MODEL NO. LT13 (J81342F), PRODUCT NO. 954 13 00-35

DRIVE



REPAIR PARTS

TRACTOR - MODEL NO. LT13 (J81342F), PRODUCT NO. 954 13 00-35

DRIVE

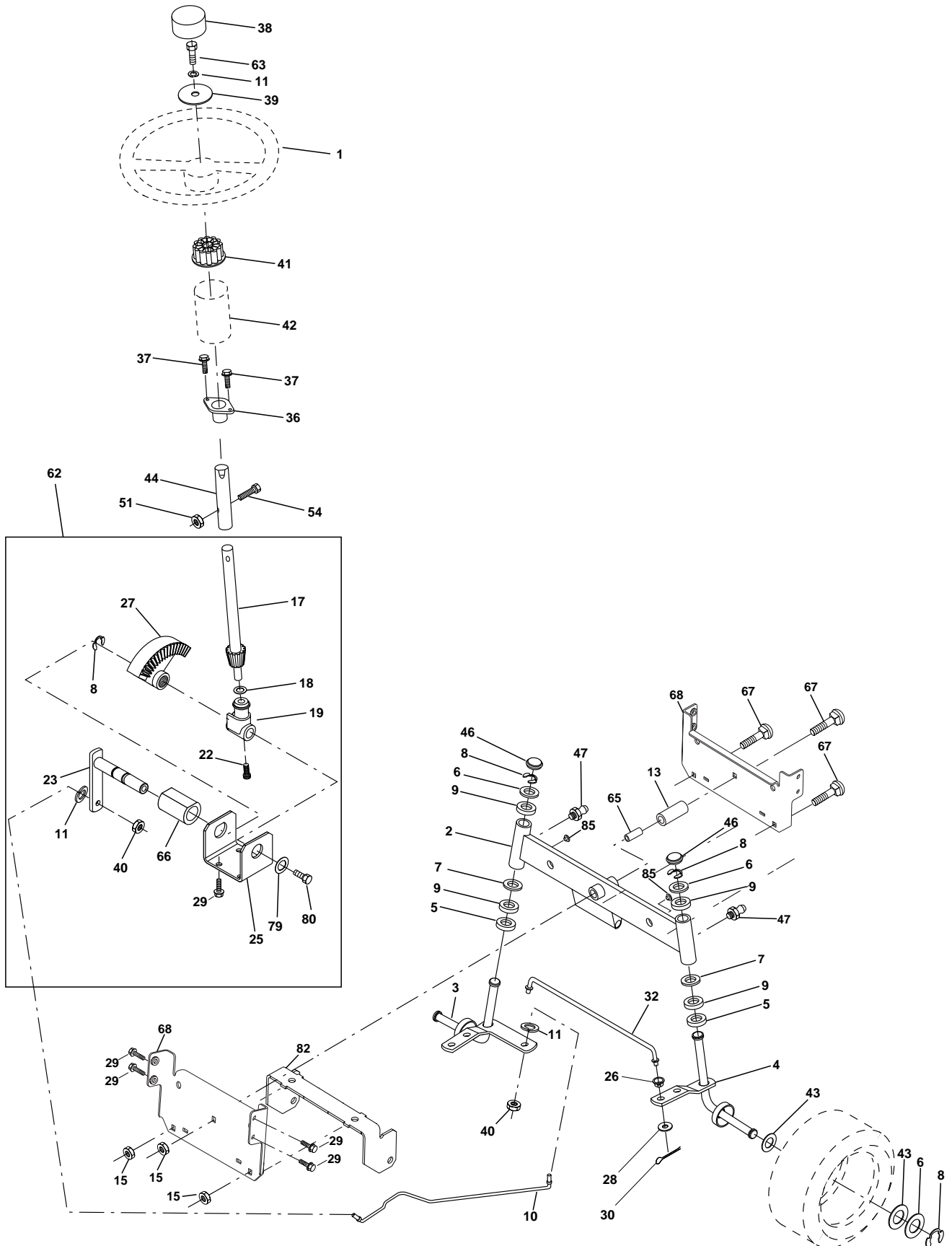
KEY NO.	PART NO.	DESCRIPTION	KEY NO.	PART NO.	DESCRIPTION
1	-----	Transaxle Peerless 206-545C Order parts from transaxle manufacturer	62	532124872	Cover Pedal Round
2	532146682	Spring Return Brake T/a Zinc	63	532140186	Engine Pulley LT/YT
3	532123666	Pulley Transaxle 18" tires	64	871170764	Bolt Hex
4	812000028	Ring Retainer #5100-62	65	810040700	Washer Lock Hvy Hlcl Spr 7/16
5	532121520	Strap Torque 30 Degrees	66	532154778	Keeper Belt Engine Foolproof
6	817490512	Screw Thdrol 5/16-18 X 3/4 TYT	70	532134683	Guide Belt Mower Drive RH
8	532165866	Rod Shift Fender Adjust Lt	72	819132012	Washer 13/32 X 1-1/4 X 12 Ga
10	876020416	Pin Cotter 1/8 X 1 Cad	74	532137057	Spacer Axle
11	532105701	Washer Plate Shf 388 Sq Hole	75	532121749	Washer 25/32 X 1 1/4 X 16 Ga
13	874550412	Bolt 1/4-28 Unf Gr 8 W/Patch	76	812000001	E-ring #5133-75
14	810040400	Washer Lock Hvy Helical	77	532123583	Key Square 2 0 X 1845/ 1865
18	874780616	Bolt, Fin Hex 3/8-16 UNC x 1 Gr. 5	78	532121748	Washer 25/32 X 1-5/8 X 16 Ga
19	873800600	Nut Lock 3/8-16 Unc	79	532125096	Key Woodruff #9 3/16 x 3/4
21	532140845	Knob	80	532131486	Arm Shift
22	532130804	Rod Brake Blk Zinc 26 840	81	532165594	Shaft Asm Cross 18"t
24	873350600	Nut Hex Jam 3/8-16 Unc	82	532165711	Spring Torsion T/a
25	532106888	Spring Rod Brake 2 00 Zinc	83	819171216	Washer 17/32 X 3/4 X 16 Ga
26	819131316	Washer 13/32 X 13/16 X 16 Ga	84	532166228	Link Transaxle
27	876020412	Pin Cotter 1/8 X 3/4 Cad	85	532150360	Nut Lock Center 1/4 - 28 FNTHD
28	532145204	Rod Brake Parking LT/YT	89	532166556	Console Shift STLT
29	532071673	Cap Brake Parking Black	90	532124346	Nut Self-thd Wsh-hd 1/4 Zinc
30	532130807	Bracket Mtg Transaxle	96	532124788	Retainer Spring 1"
32	874760512	Bolt Hex Hd 5/16-18unc X 3/4	112	819091210	Washer 9/32 x 3/4 x 10 Ga.
34	532155071	Shaft Asm Pedal Foot	113	532127285	Strap Torque LT
35	532120183	Bearing Nylon Blk 629 Id	116	872110610	Bolt Rdhd Sq Neck 3/8-16 x 1.25
36	819211616	Washer 21/32 X 1 X 16 Ga	145	874490540	Bolt Hex 5/16-18 Gr. 5
37	532124963	Pin Roll 3/16 X 1"	150	532165850	Bushing Bellcrank Grd Drive
38	532131494	Pulley Idler Flat	151	819133210	Washer 13/32 x 2 x 10 Ga.
39	872110622	Bolt RDHD 3/8-16 Unc x 2-3/4 Gr. 5	156	532166002	Washer Srrted 5/16ID x 1.125
40	532124965	Spacer Split 395 X 59 Bzp	158	532165589	Bracket Shift Mount
41	532165838	Keeper Belt Idler Flat	159	532165494	Hub Tapered Flange Shift Lt
42	819131312	Washer 13/32 X 13/16 X 12 Ga	161	872140406	Bolt Rdhd Sqnk 1/4-20 x 3/4 Gr 5
47	532127783	Pulley Idler V Groove Plastic	162	873680400	Nut Crownlock 1/4-20 Unc
48	532154407	Bellcrank Clutch Grnd Driv	163	874780416	Bolt Hex Fin 1/4-20 Unc x 1 Gr 5
49	532123205	Retainer Belt Style Spring	164	819091010	Washer 5/8 x .281 x 10 Ga
50	874760624	Bolt Hex Hd 3/8-16unc X 1-1/2	165	532165623	Bracket Pivot Lever
51	873680600	Nut Crownlock 3/8-16 Unc	166	532166880	Screw 5/16-18 x 5/8
52	873680500	Nut Crownlock 5/16-18 Unc	168	532165492	Bolt Shoulder 5/16-18 x .561
53	532105710	Link Clutch	169	532165580	Plate Fastening Lt
55	532105709	Spring Return Clutch 6 75	170	532165849	Keeper Belt Transaxle Gear
56	874760620	Bolt Fin Hx 3/8-16 X 1/4	197	532169613	Nyliner Snap-In
57	531013136	V-Belt Ground Drive 95 25	198	532169593	Washer Nyl 7/8 ID x 105"
59	532169691	Keeper Belt Span Ctr	202	872110612	Bolt Carr. SH 3/8-16 x 1-1/2 Gr. 5
61	817060512	Screw 5/16-18 x 3/4 SMGML	204	817060516	Screw 5/16-18 x 1 SMGML

NOTE: All component dimensions given in U.S. inches
1 inch = 25.4 mm

REPAIR PARTS

TRACTOR - MODEL NO. LT13 (J81342F), PRODUCT NO. 954 13 00-35

STEERING ASSEMBLY



REPAIR PARTS

TRACTOR - MODEL NO. LT13 (J81342F), PRODUCT NO. 954 13 00-35

STEERING ASSEMBLY

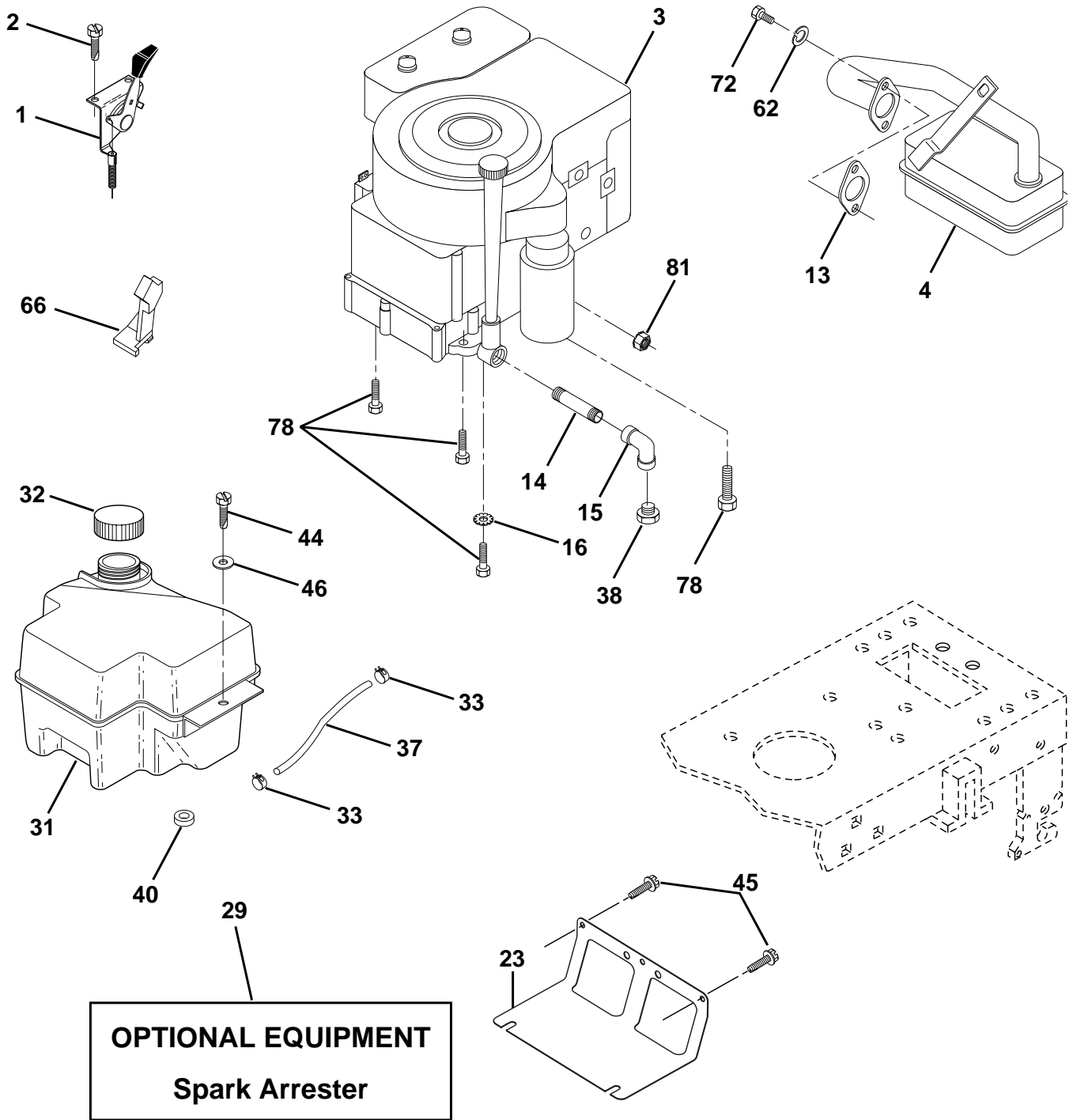
KEY NO.	PART NO.	DESCRIPTION
1	532172092	Wheel Steering
2	532154427	Axle Asm STMP Dropped STL
3	532169840	Spindle Asm LH
4	532169839	Spindle Asm RH
5	532124931	Bearing Race Thrust Harden
6	532121748	Washer 25/32 X 1-5/8 X 16 Ga
7	819272016	Washer 27/32 X 1-1/4 X 16 Ga
8	812000029	Ring Klip #t5304-75
9	532124937	Bearing Col Strg Blk
10	532169832	Link Drag
11	810040600	Washer Lock Hvy Hlcl Spr 3/8
13	532136518	Bearing Axle STL/GT
15	532145212	Nut Hexflange Lock
17	532156546	Shaft Asm Strg
18	532057079	Washer Thrust 515x 750x 033
19	532160395	Support Shaft
22	532165857	Screw Hex Wsh hd Torx
23	532165851	Shaft Asm Pittman
25	532154406	Bracket Steering
26	532126847	Bushing Link Drag Blk LR
27	532136874	Gear Sector
28	819131416	Washer 13/32 X 7/8 X 16 Ga
29	817060612	Screw 3/8-16x3/4 SMGML
30	876020412	Pin Cotter 1/8 X 3/4 Cad
32	532130465	Rod Tie Wire Form 19 75 Mech
36	532155099	Bushing Strg
37	532152927	Screw
38	532172093	Insert Cap Strg Wh
39	819132411	Washer 13/32 X 2-3/8 X 8 Ga
40	532124701	Lock nut
41	532159945	Adaptor Wheel Strg
42	532169633	Boot Steering Shaft
43	532121749	Washer 25/32 X 1 1/4 X 16 Ga
44	532153720	Extension Steering Shaft LR/LT
46	532121232	Cap Spindle Fr Top Blk
47	532124836	Fitting Grease
51	873800500	Nut Lock Hex w/Ins 5/16-18
54	874780520	Bolt Fin Hex 5/16-18 Unc x 1-1/4
62	532167902	Kit, Steering Assembly Svc
63	874780616	Bolt Fin Hex 3/8-16unc x 1 Gr. 5
65	532160367	Spacer Axle
66	532154404	Bearing Arm Pittman
67	872110618	Bolt RDHD SQNK 3/8-16 x 2-1/4
68	532169827	Axle, Brace
79	819132012	Washer 13/32 x 1-1/4 x 12 Ga
80	874950612	Bolt Hex Nylon 3/8-16 x 3/4
82	532169835	Bracket Susp Chassis Front
85	532133835	Fastner Christmas Tree

NOTE: All component dimensions given in U.S. inches.
1 inch = 25.4 mm.

REPAIR PARTS

TRACTOR - MODEL NO. LT13 (J81342F), PRODUCT NO. 954 13 00-35

ENGINE



REPAIR PARTS

TRACTOR - MODEL NO. LT13 (J81342F), PRODUCT NO. 954 13 00-35

ENGINE

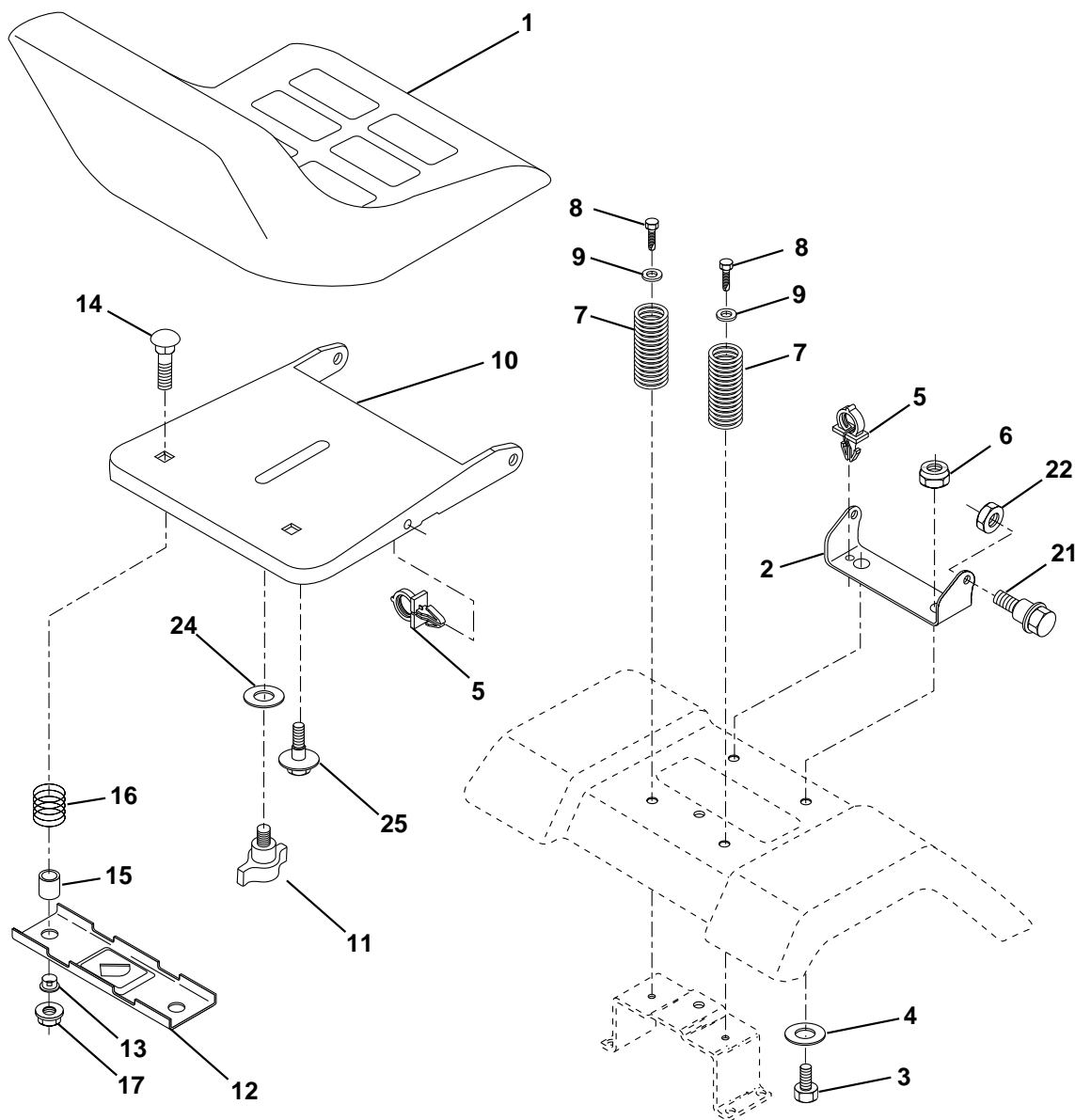
KEY NO.	PART NO.	DESCRIPTION
1	532141359	Control Th/ch 20.22 LH Flag
2	817720410	Screw Hex Thd Cut 1/4-20x5/8 T
3	-----	Engine B&S Model No. 28R707 (Order parts from engine manufacturer)
4	532137348	Muffler
13	532165291	Gasket
14	813280324	Nipple Pipe 3/8 Npt X 3"
15	813200300	Elbow Std 90 Degree 3/8-18 Npt
16	811050600	Washer Lock Ext Tooth 3/8
23	532169837	Shield Brn/Dbr Guard
29	532137180	Kit Spark Arrestor (Flat Scrn)
31	532161911	Tank Fuel Front 2 00
32	532140527	Cap Asm Fuel W/sym Vented
33	532123487	Clamp Hose Black
37	532137040	Line Fuel 20"
38	-----	Plug Oil Drain (Order From Engine Manufacturer)
40	532124028	Bushing Snap Nyl Blk Fuel Line
44	817490412	Screw Hexwsh Thdrol 1/4-20x3/4
45	817060612	Screw 3/8-16 x .75 SMGML
46	819091416	Washer 9/32 X 7/8 X 16 Ga
62	810040500	Washer Lock Hvy Hlcl Spr 5/16
66	532127951	Stop Throttle 3000 RPM
72	871070510	Screw Hexhd Cap 5/16-18 x 5/8
78	817060620	Screw 3/8-16 x 1-1/4 SMGML
81	532128861	Nut Flange 1/4-20 Starter Nut

NOTE: All component dimensions given in U.S. inches
1 inch = 25.4 mm

REPAIR PARTS

TRACTOR - MODEL NO. LT13 (J81342F), PRODUCT NO. 954 13 00-35

SEAT ASSEMBLY



KEY NO.	PART NO.	DESCRIPTION
1	532140117	Seat
2	532140551	Bracket Pivot Seat 8 720
3	871110616	Bolt Fin Hex 3/8-16 Unc x 1
4	819131610	Washer 13/32 X 1 X 10 Ga
5	532145006	Clip Push-In
6	873800600	Nut Hex w/Ins. 3/8-16 Unc
7	532124181	Spring Seat Cprsn 2 250 Blk Zi
8	817000616	Screw 3/8-16 x 1.5 SMGML
9	819131614	Washer 13/32 X 1 X 14 Ga.
10	532155925	Pan Seat
11	532166369	Knob Seat

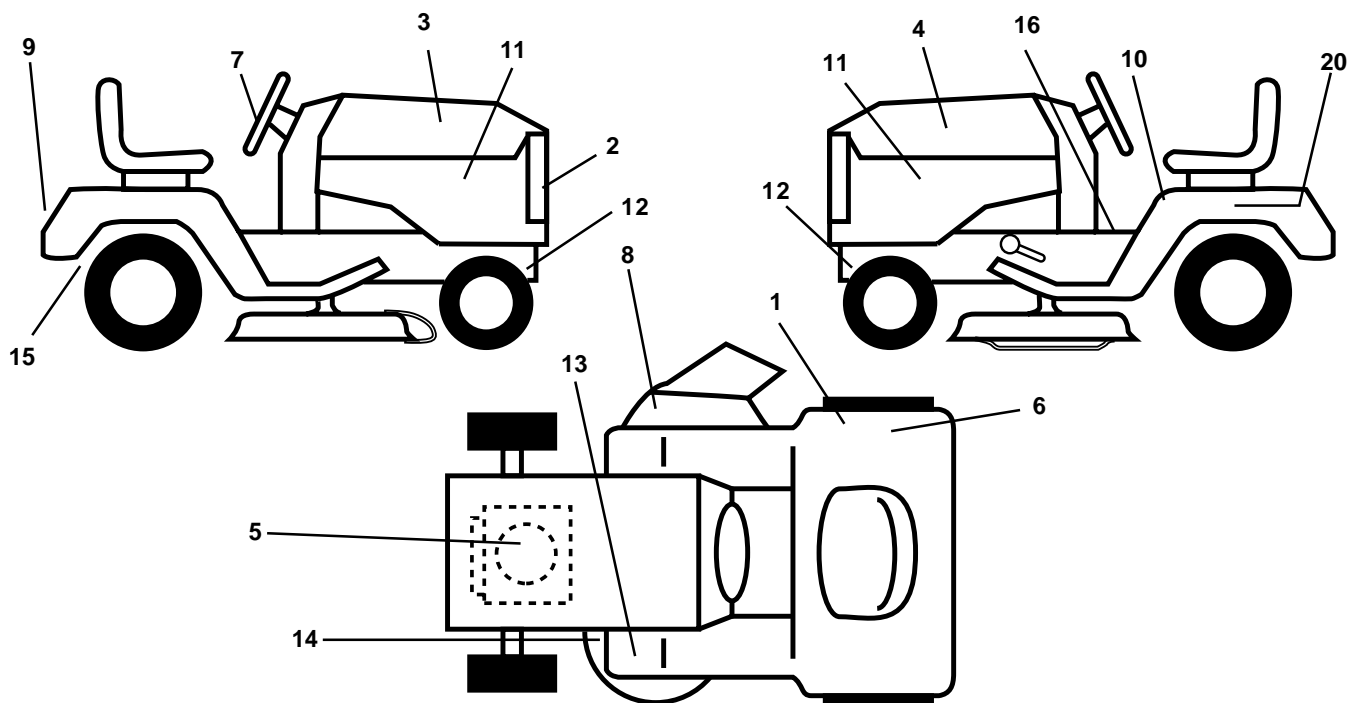
KEY NO.	PART NO.	DESCRIPTION
12	532121246	Bracket Mounting Switch
13	532121248	Bushing Snap Blk Nyl 50 Id
14	872050412	Bolt Rdhd Sqkn 1/4-20x1-1/2
15	532134300	Spacer Split 28x96 Yel Zinc
16	532121250	Spring Cprsn 1.27 Blk Pnt
17	532123976	Nut Lock 1/4 Lge Flg Gr 5 Zinc
21	532171852	Bolt SHLD 5/16-18 Unc-2A
22	873800500	Nut Hex Lock W/Ins 5/16-18
24	819171912	Washer 17/32 X 1-3/16 X 12 Ga.
25	532127018	Bolt Shoulder 5/16-18 X 62

NOTE: All component dimensions given in U.S. inches.
1 inch = 25.4 mm

REPAIR PARTS

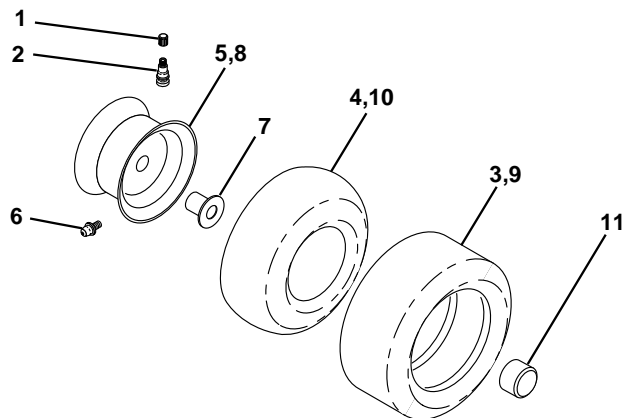
TRACTOR - MODEL NO. LT13 (J81342F), PRODUCT NO. 954 13 00-35

DECALS



KEY NO.	PART NO.	DESCRIPTION	KEY NO.	PART NO.	DESCRIPTION
1	532126187	Decal 100 DBA	12	532159736	Decal Chassis Hot Muffler
2	532152262	Decal Grille	13	532159737	Decal Brake/Clutch Symbol LT
3	532170598	Decal Hood RH	14	532160396	Decal V-Belt Schematic
4	532170599	Decal Hood LH	15	532162598	Decal Drawbar Load Limit
5	532170848	Decal HP Engine	16	532140837	Decal Saddle Brake Parking
6	532145437	Decal Europe Stand CE	20	532145005	Decal Bat Dan/Psn
7	532170565	Decal, Ins. Strg Whl.	--	532171284	Pad Footrest LH STLT
8	532145494	Decal Mower Cutfinger	--	532171285	Pad Footrest RH STLT
9	532141761	Decal Fender Jonsered	--	532138311	Decal Handle Lift Height Adjust
10	532145498	Decal Read Owner's Manual Syms.	--	532171913	Manual Operator's (Euro.)
11	532162927	Decal Hood Insert B&S White	--	532171914	Manual Operator's (Scan.)

WHEELS & TIRES



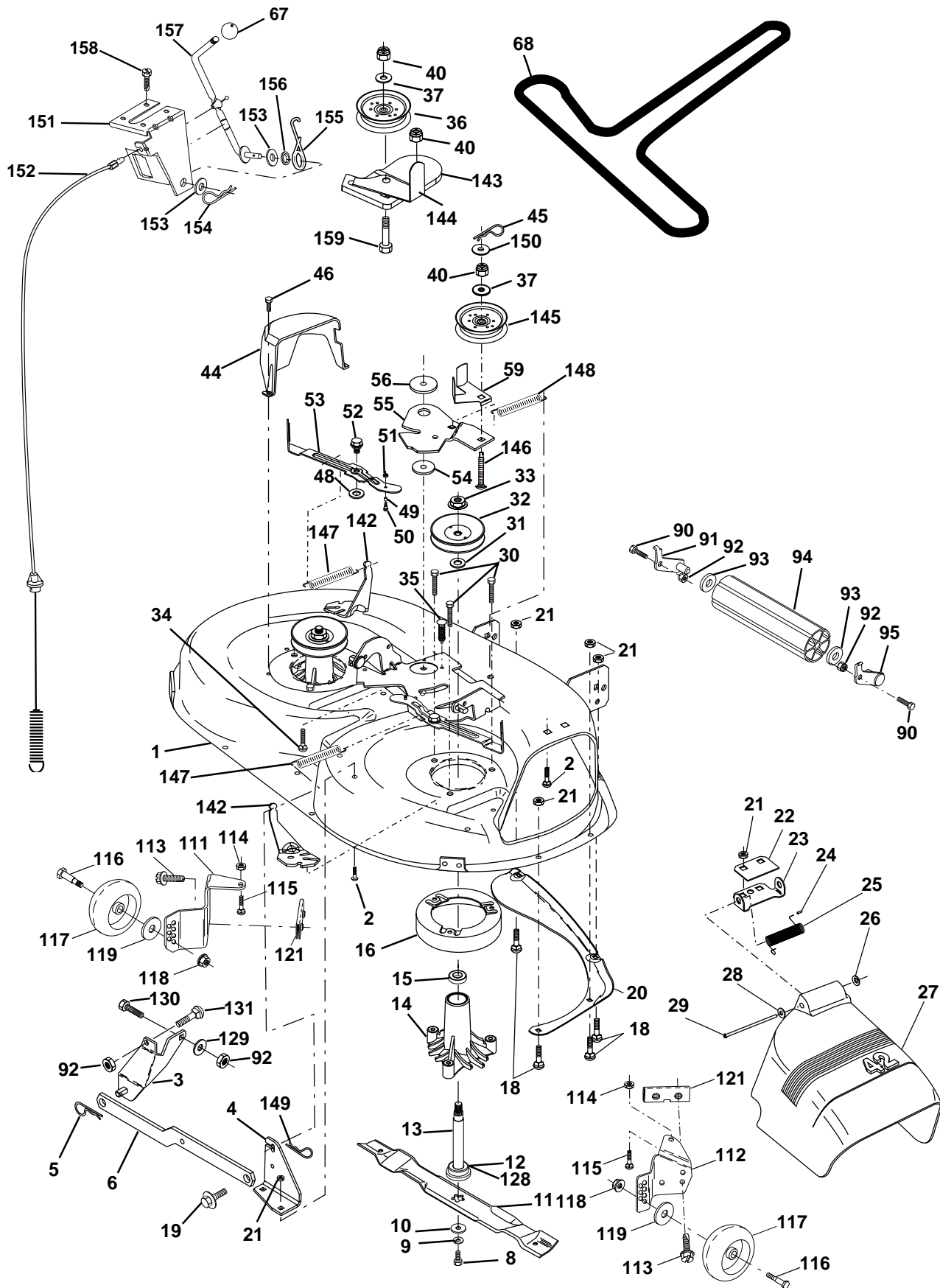
KEY NO.	PART NO.	DESCRIPTION
1	532059192	Cap Valve Tire
2	532065139	Stem Valve
3	532106222	Tire F Ts 15 X 6 0 - 6 Service
4	532059904	Tube Front (Service Item Only)
5	532138336	Rim Asm 6"front Silver Service
6	532124957	Fitting Grease (Front Wheel Only)
7	532124959	Bearing Flange (Front Wheel Only)
8	532138337	Rim Asm 8"rear Silver Service
9	532106268	Tire R Ts 18x9 5-8 C Service
10	532124926	Tube Rear (Service Item Only)
11	532104757	Cap Axle Blk 1 50 X 1 00
--	532144334	Sealant, Tire (10 oz. Tube)

NOTE: All component dimensions given in U.S. inches
1 inch = 25.4 mm

REPAIR PARTS

TRACTOR - MODEL NO. LT13 (J81342F), PRODUCT NO. 954 13 00-35

MOWER DECK



REPAIR PARTS

TRACTOR - MODEL NO. LT13 (J81342F), PRODUCT NO. 954 13 00-35

MOWER DECK

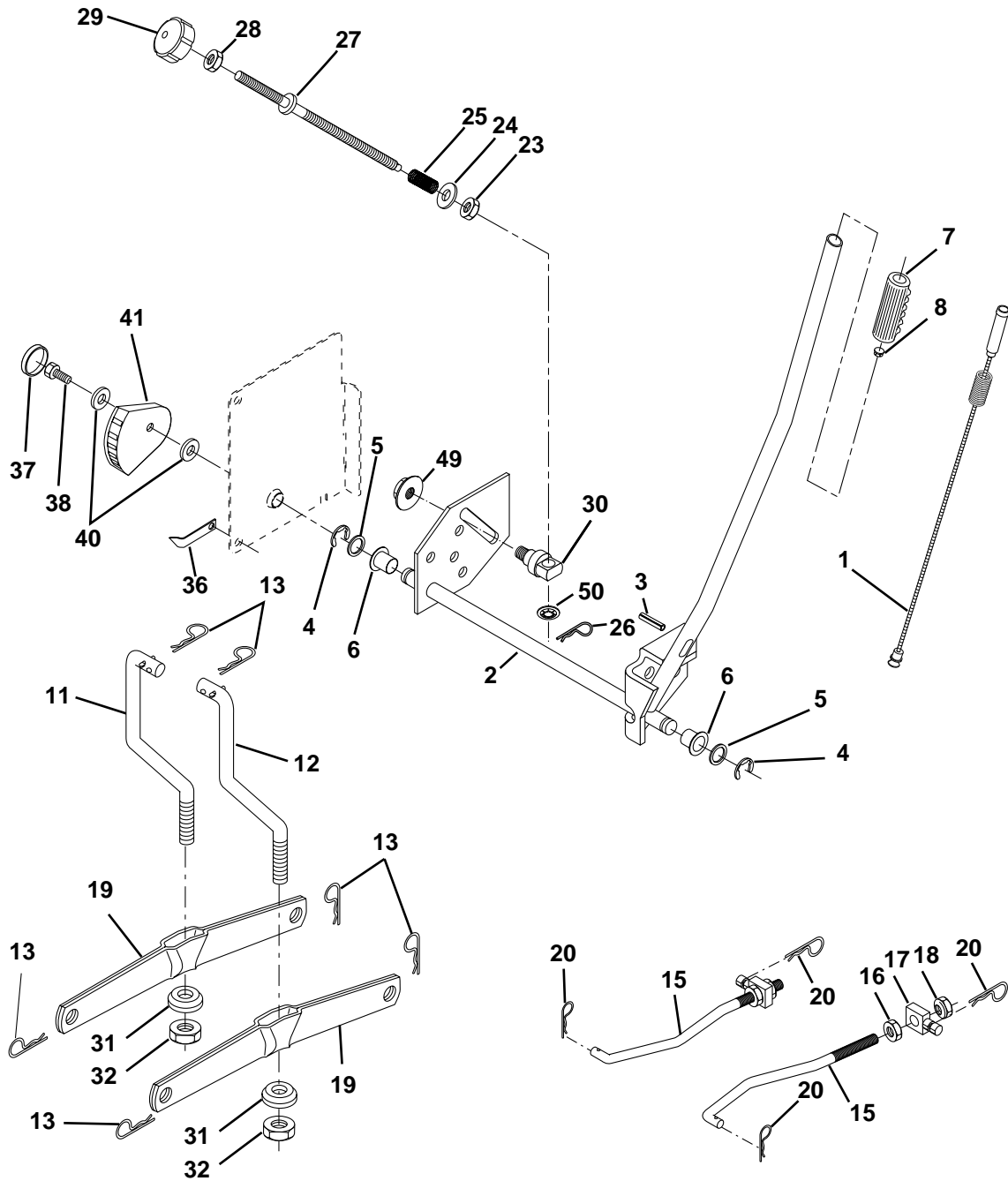
KEY NO.	PART NO.	DESCRIPTION	KEY NO.	PART NO.	DESCRIPTION
1	532165892	Housing Asm Mower	68	531008027	V-Belt Mower
2	872140506	Bolt Rdhd Sqnk 5/16-18unc X3/4	90	874760616	Bolt Fin Hex 3/8-16unc X 1
3	532138017	Bracket Asm Fr Sway Bar 38/42	91	532132274	Bracket Asm Noseroller LH
4	532156460	Bracket Sway Bar	92	873800600	Nut Lock Hex w/ins. 3/8-16 UNC
5	532124670	Retainer Spring	93	819171416	Washer 17/32 X 7/8 X 16 Ga
6	532130832	Arm Suspension Rear	94	532132264	Roller Nose 38 & 42
8	532850857	Bolt 3/8-24x1 25 Gr8 Patched	95	532132273	Bracket Asm Noseroller RH
9	810030600	Washer Lock Hvy 3/8 Unplated	111	532155197	Bracket Gauge Wheel Lh
10	532140296	Washer Hard Blade Mower Vented	112	532155198	Bracket Gauge Wheel Rh
11	531013134	Blade Mower High Lift"	113	817060512	Screw 5/16-18 x 3/4 SMGML
12	532129895	Bearing Ball #6204 (Mandrel)	114	873510500	Nut Keps 5/16-18 UNC
13	532137645	Shaft Asm W/lower Bearing	115	872110504	Bolt Carriage 5/16-18unc x 1/2
14	532128774	HousingMandrel Vented(machd)	116	532124842	Bolt Shoulder
15	532110485	Bearing Ball Mandrel	117	532165746	Wheel Gauge
16	532140329	Stripper Round Mower	118	873930600	Nut Centerlock 3/8-16 UNC
18	872140505	Bolt Carr 5/16-18 X 5/8	119	819121414	Washer 3/8 x 7/8 x 14 Ga.
19	532132827	Bolt Shoulder	121	532143723	Bracket Extruded Gauge Wheel
20	532159770	Baffle Vortex	128	532153390	Washer Felt
21	873680500	Nut Crown Lock 5/16-18	129	819131312	Washer 13/32 x 13/16 x 12
22	532134753	Stiffener Bracket 42"deck	130	874780616	Bolt Fin Hex 3/8-16 x 1
23	532131267	Bracket Deflector Mower 42"	131	872140608	Bolt Rdhd Sqnk 3/8-16 x 1
24	532105304	Cap Sleeve 80x 112 Blk Mower	141	532124931	Washer Thrust
25	532123713	Spring Torsion Deflector 2 52	142	532165890	Arm Spring Brake Mower
26	532110452	Nut Push Phos & Oil	143	532157109	Bracket Arm Idler 42"
27	532171859	Shield Deflector	144	532158634	Keeper Belt 42" Clutch Cable
28	819111016	Washer 11/32 X 5/8 X 16 Ga	145	532165888	Pulley Idler Flat
29	532131491	Rod Hinge 42"6 75 Wlg	146	532165891	Bolt Carriage Idler
30	532157722	Screw Thdrol Wsh Hd	147	532131335	Spring Extension
31	532129963	Washer Spacer Mower Vented	148	532169022	Spring Return Idler
32	532153535	Pulley Mandrel	149	532165898	Retainer Spring Yellow
33	532137266	Nut 9/16top Lock Fling Cntr	150	819091216	Washer 9/32 x 3/4 x 16 Ga.
34	872110614	Bolt RDHD 3/8-16 UNC x 2-3/4 Gr.5	151	532169670	Bracket Clutch Cable
35	532133835	Fastner Christmas Tree	152	532169676	Clutch Cable 42"
36	532131494	Pulley Idler Flat 3 060	153	532169674	Washer Flat 3/8" Type B
37	819131316	Washer 13/32 X 13/16 X 16 Ga	154	532169675	Spring Retainer
40	873680600	Nut Lock 3/8-16 Unc	155	532169671	Spring Retention Lvr Cltch Cab
44	532140088	Guard Mandrel LH Black	156	532169672	Spacer Clutch Cable
45	532124788	Spring Retainer 1" Zinc/cad	157	532169669	Rod Clutch Cable 3/8"
46	532171253	Screw Thdrol 1/4-20x5/8	158	817720410	Screw Hex Thd Cut 1/4-20 x 5/8
48	532133944	Washer Hardened Samller	159	872140614	Bolt Rdhd Sqn 3/8-16 Unc x 1-3/4
49	532155066	Roller Asm Cam Follower 42" deck	--	532171491	Deck - Order Nose Roller, Gauge
50	532131340	Bolt Shldr 10-24 Zinc Gr 5 42"			Wheel and Mulcher Plate
51	532069180	Nut Lock #10-24 Unc			components separately Key Nos.
52	532139888	Bolt Shoulder 5/16-18 Unc Blkz			90-95, 101-106 and 111-121)
53	532131845	Arm Asm Pad Brake			Mandrel Assembly (Includes Key
54	532133943	Washer Hardened	--	532130794	Numbers 8-10, 12-15, 31 and 33)
55	532155046	Arm Idler 42"mower LT/YT			
56	532165723	Spacer Retainer Pm Mower			
59	532141043	Guard, Belt			
67	532106932	Knob Rd 3/8-16 Plstc Thds Blk			

NOTE: All component dimensions given in U.S. inches
1 inch = 25.4 mm

REPAIR PARTS

TRACTOR - MODEL NO. LT13 (J81342F), PRODUCT NO. 954 13 00-35

MOWER LIFT



REPAIR PARTS

TRACTOR - MODEL NO. LT13 (J81342F), PRODUCT NO. 954 13 00-35

MOWER LIFT

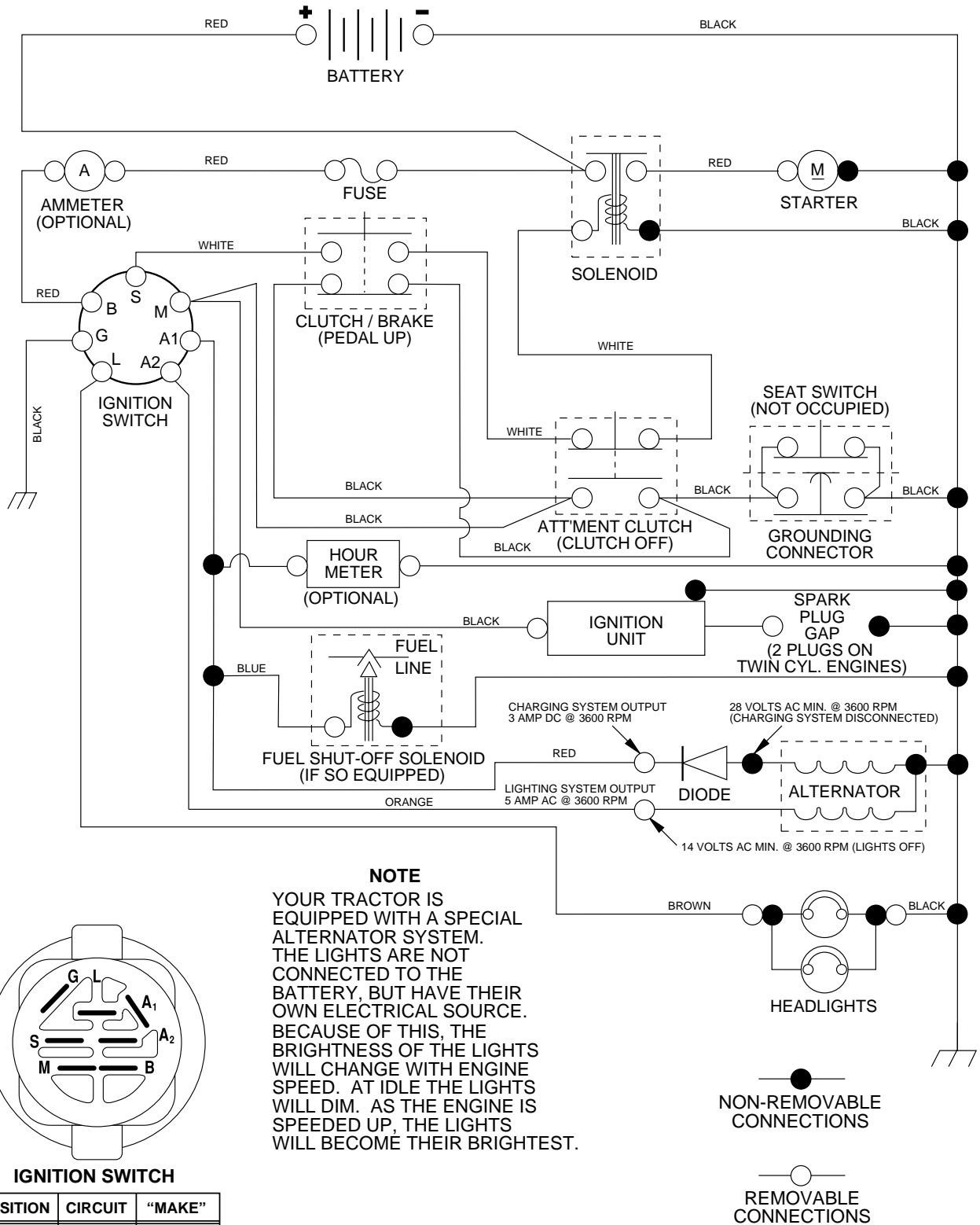
KEY NO.	PART NO.	DESCRIPTION
1	532159460	Washer Asm Inner Spring W/Plunger
2	532159471	Shaft Asm. Lift
3	532105767	Pin Groove
4	812000002	E Ring #5133-62
5	819211621	Washer 21/32 x 1 x 21 Ga
6	532120183	Bearing Nylon
7	532125631	Grip Handle
8	532122365	Button Plunger
11	532139865	Link Lift LH
12	532139866	Link Lift RH
13	532124670	Retainer Spring
15	532173288	Link Front
16	873350800	Nut Jam Hex 1/2-13 Unc
17	532130171	Trunnion Blk Zinc
18	873800800	Nut Lock W/Wsh 1/2-13 Unc
19	532139868	Arm Suspension Mower
20	532163552	Retainer Spring
23	532110807	Nut Special
24	819131016	Washer 13/32 x 5/8 x 16 Ga.
25	532124874	Spring 2-1/8
26	532169484	Retainer Clip
27	532126971	Rod Adj Lift Zinc
28	873350600	Nut Hex Jam 3/8-16 Unc
29	532138057	Knob Inf 3/8-16 unc
30	532150233	Trunnion Infin Height
31	532140302	Bearing Pvt. Lift Spherical
32	873540600	Nut Crownlock 3/8-24
36	532155097	Pointer Height Indicator
37	532123935	Plug Hole Blk
38	817060516	Screw 5/16-18 x 1
40	819112410	Washer 11/32 x 1-1/2 x 10 Ga
41	532155098	Scale Ind Height
49	532145212	Nut Hex flange lock
50	532110452	Nut Puch Phos & oil
51	532124670	Retainer Spring

NOTE: All component dimensions given in U.S. inches
1 inch = 25.4 mm

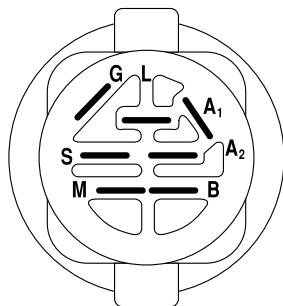
REPAIR PARTS

TRACTOR - MODEL NO. LT13 (J81342F), PRODUCT NO. 954 13 00-35

SCHEMATIC



NOTE
YOUR TRACTOR IS EQUIPPED WITH A SPECIAL ALTERNATOR SYSTEM. THE LIGHTS ARE NOT CONNECTED TO THE BATTERY, BUT HAVE THEIR OWN ELECTRICAL SOURCE. BECAUSE OF THIS, THE BRIGHTNESS OF THE LIGHTS WILL CHANGE WITH ENGINE SPEED. AT IDLE THE LIGHTS WILL DIM. AS THE ENGINE IS SPEEDED UP, THE LIGHTS WILL BECOME THEIR BRIGHTEST.



IGNITION SWITCH

POSITION	CIRCUIT	"MAKE"
OFF	M+G+A1	NONE
RUN/LIGHT	B+A1	A2+L
RUN	B+A1	NONE
START	B + S + A1	NONE

WIRING INSULATED CLIPS

NOTE: IF WIRING INSULATED CLIPS WERE REMOVED FOR SERVICING OF UNIT, THEY SHOULD BE REPLACED TO PROPERLY SECURE YOUR WIRING.

NON-REMOVABLE CONNECTIONS

REMOVABLE CONNECTIONS