

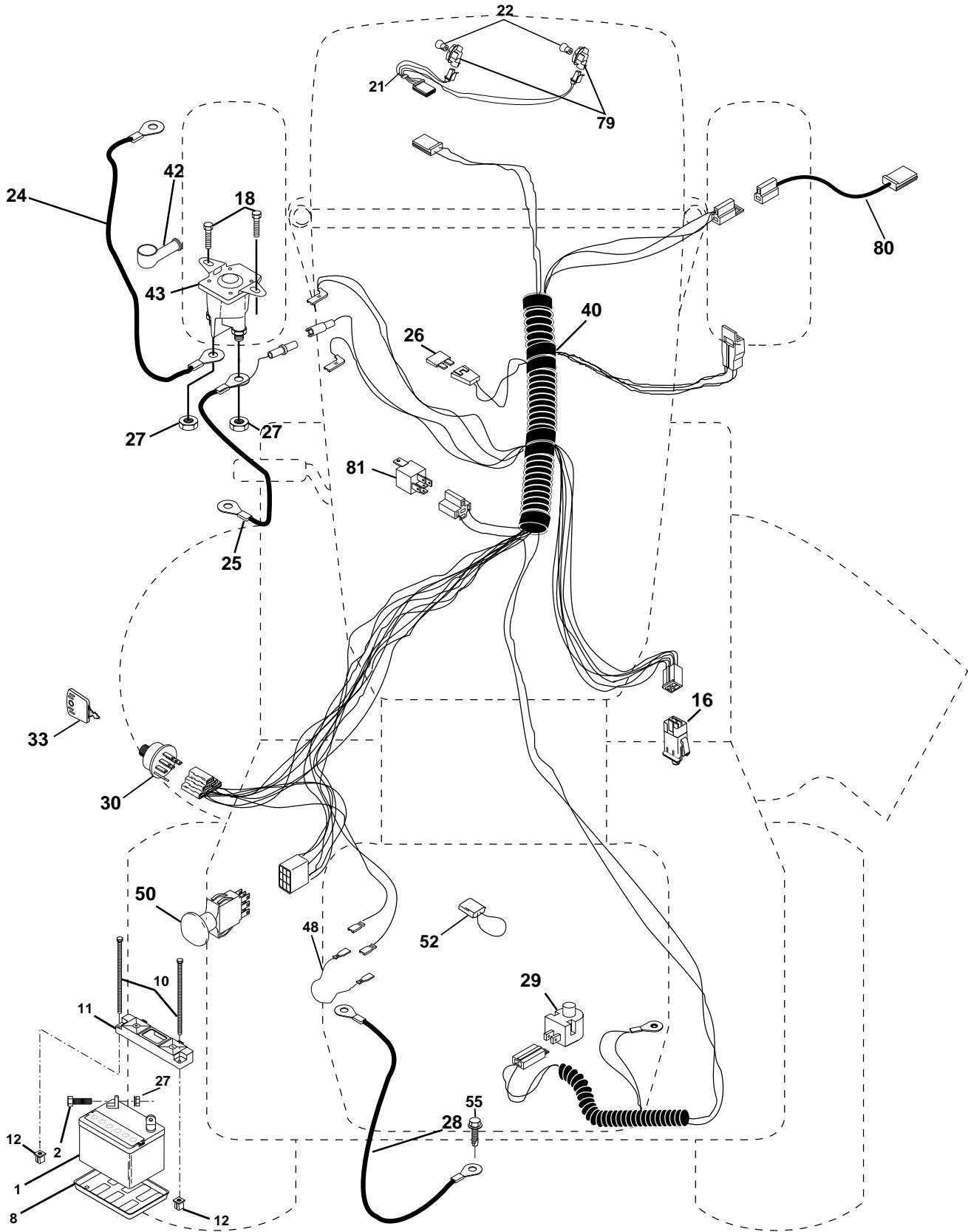
LT18A

Spare parts
Ersatzteile
Pièces détachées
Reserve onderdelen
Repuestos
Reservdelar

REPAIR PARTS

TRACTOR - - MODEL NUMBER LT18A (J18H42A), PRODUCT NO. 954 13 00-47

ELECTRICAL



REPAIR PARTS

TRACTOR - - MODEL NUMBER LT18A (J18H42A), PRODUCT NO. 954 13 00-47

ELECTRICAL

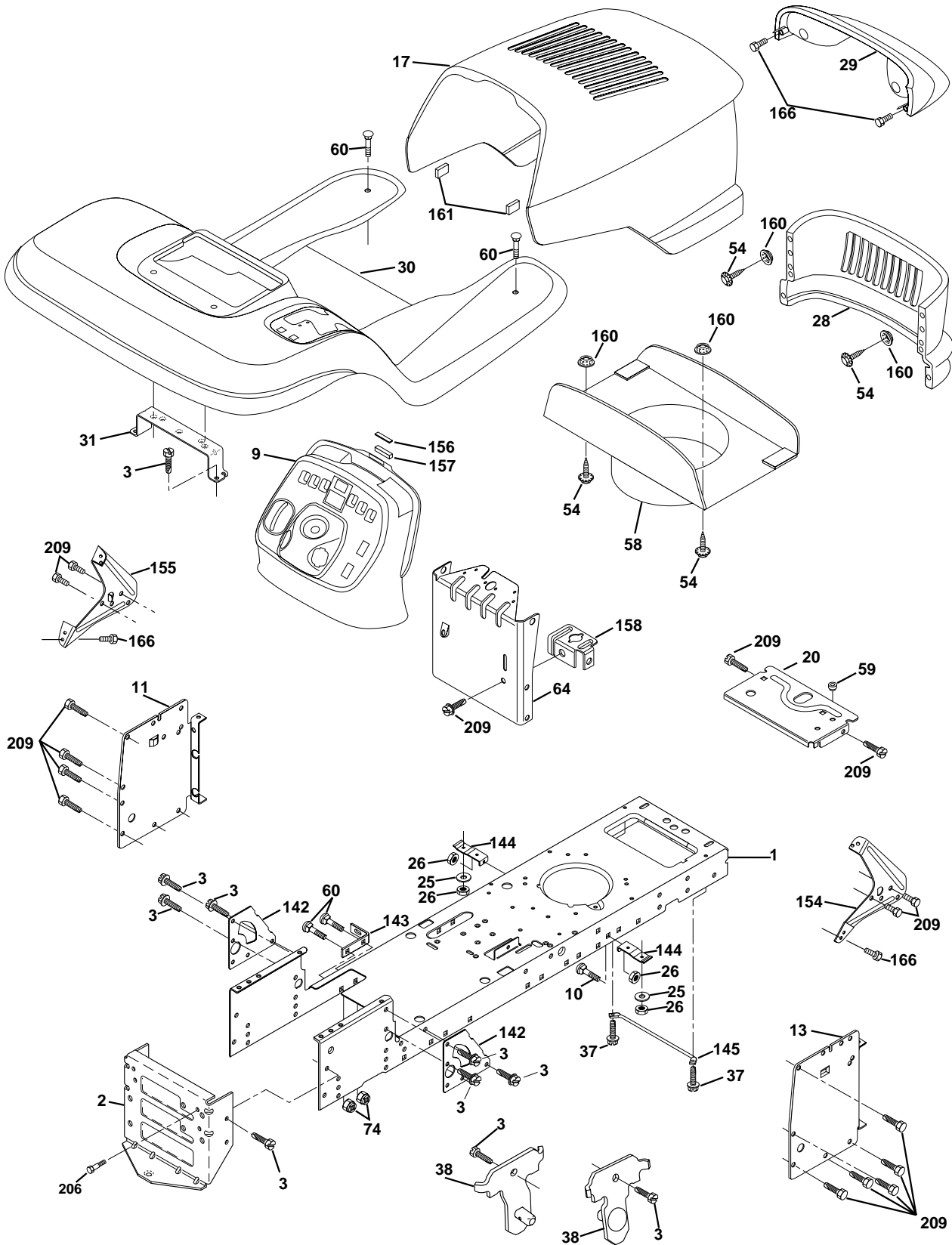
KEY NO.	PART NO.	DESCRIPTION
1	532163465	Battery 12 Volt 28 AMP
2	874760412	Bolt Hex Hd 1/4-20unc X 3/4
8	532124886	Tray Brty 7.80 x 5.25 Blk
10	532145211	Bolt Btr Frt 1/4-20 x 7.5 zinc
11	532150109	Holddown Battery mount
12	532145769	Nut Push Nylon 1/4 Battery Frt.
16	532153664	Switch Interlock Push-In
18	817720408	Screw Thd Cut 1/4-20 x 1/2
21	532166184	Harness Asm Light W/4152j
22	532004152	Bulb Light #1156
24	532008860	Cable Battery 6 Ga 17" red
25	532146148	Cable Battery 6 Ga 22" w/16W
26	532175158	Fuse
27	873510400	Nut Keps Hex 1/4-20 Unc
28	532145491	Cable Ground 21" Blk 6 Ga 90T
29	532160784	Switch Plunger Normal OP Olive
30	532175566	Switch Ign
33	532140401	Key Ign
40	532170233	Harness Ign.
42	532131563	Cover Terminal Red
43	532175141	Solenoid
48	532140844	Adapter Ammeter Rectangular
50	532174651	Switch PTO
55	817490508	Screw Thdrol 5/16-18 x 1/2 Typ
79	532163996	Bulbholder Asm Incandescent
80	532146685	Harness Clutch EVX
81	532109748	Relay ASM

NOTE: All component dimensions given in U.S. inches
1 inch = 25.4 mm.

REPAIR PARTS

TRACTOR - - MODEL NUMBER LT18A (J18H42A), PRODUCT NO. 954 13 00-47

CHASSIS AND ENCLOSURES



REPAIR PARTS

TRACTOR - - MODEL NUMBER LT18A (J18H42A), PRODUCT NO. 954 13 00-47

CHASSIS AND ENCLOSURES

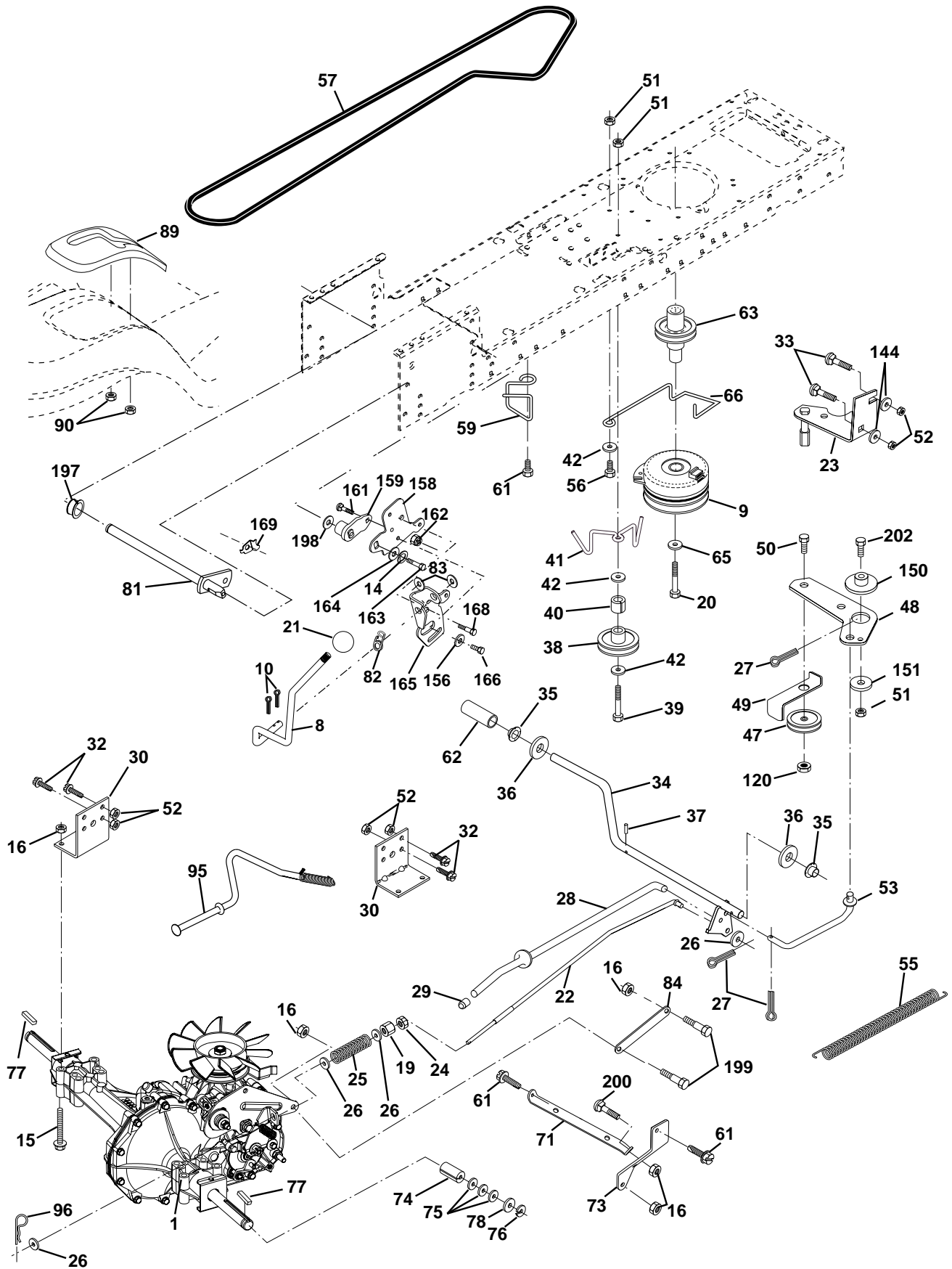
KEY NO.	PART NO.	DESCRIPTION
1	532169830	Chassis
2	532169061	Drawbar
3	817060612	Screw, 3/8-16 x 3/4
9	532177144	Dash
10	872140608	Bolt, Carriage 3/8-16 x 1
11	532167203	Panel, Dash, LH
13	532167202	Panel, Dash, RH
17	532177147	Hood Assembly
20	532162026	Plate Battery STYT
25	819131312	Washer 13/32 x 13/16 x 12 Gauge
26	873800600	Locknut, Hex, with Insert 3/8-16 UNC
28	532177148	Grille
29	532160568	Lens, Grille
30	532172157	Fender/Footrest
31	532139976	Bracket, Fender/Support
37	817490508	Screw, Thdrol. 5/16-18 x 1/2 TYT
38	532169834	Bracket Asm Pivot Mower Rear
54	532161464	Screw Hex Wshd 8-18 x 7/8
58	532161236	Duct Hood
59	532110436	Bushing, Snap, Split
60	872140606	Bolt Rdhd Sqnk 3/8-16 UNC x 3/4
64	532162025	Dash Lower STYT
74	873680600	Nut Crownlock 3/8-16 UNC
142	532165867	Plate Reinforcement STLT
143	532154966	Bracket Swaybar Chassis
144	532154207	Bracket Footrest STLT
145	532156524	Rod Pivot Chassis/Hood
154	532161897	Bracket Dash Rh
155	532161900	Bracket Dash Lh
156	532163805	Striker Plate
157	532163806	Magnet YTGT
158	532162037	Parking Brake Bkrt
160	532162967	Fastner Nutpal
161	532164655	Extrusion Bumper
166	532164863	HWHDH:-Lo. #13-16 x 3/4
206	532170165	Bolt Shoulder 5/16-18
209	817000612	Screw Hexwsh Thdr 3/8-16 x 3/4

NOTE: All component dimensions given in U. S. inches
1 inch = 25.4 mm

REPAIR PARTS

TRACTOR - - MODEL NUMBER LT18A (J18H42A), PRODUCT NO. 954 13 00-47

DRIVE



REPAIR PARTS

TRACTOR - - MODEL NUMBER LT18A (J18H42A), PRODUCT NO. 954 13 00-47

DRIVE

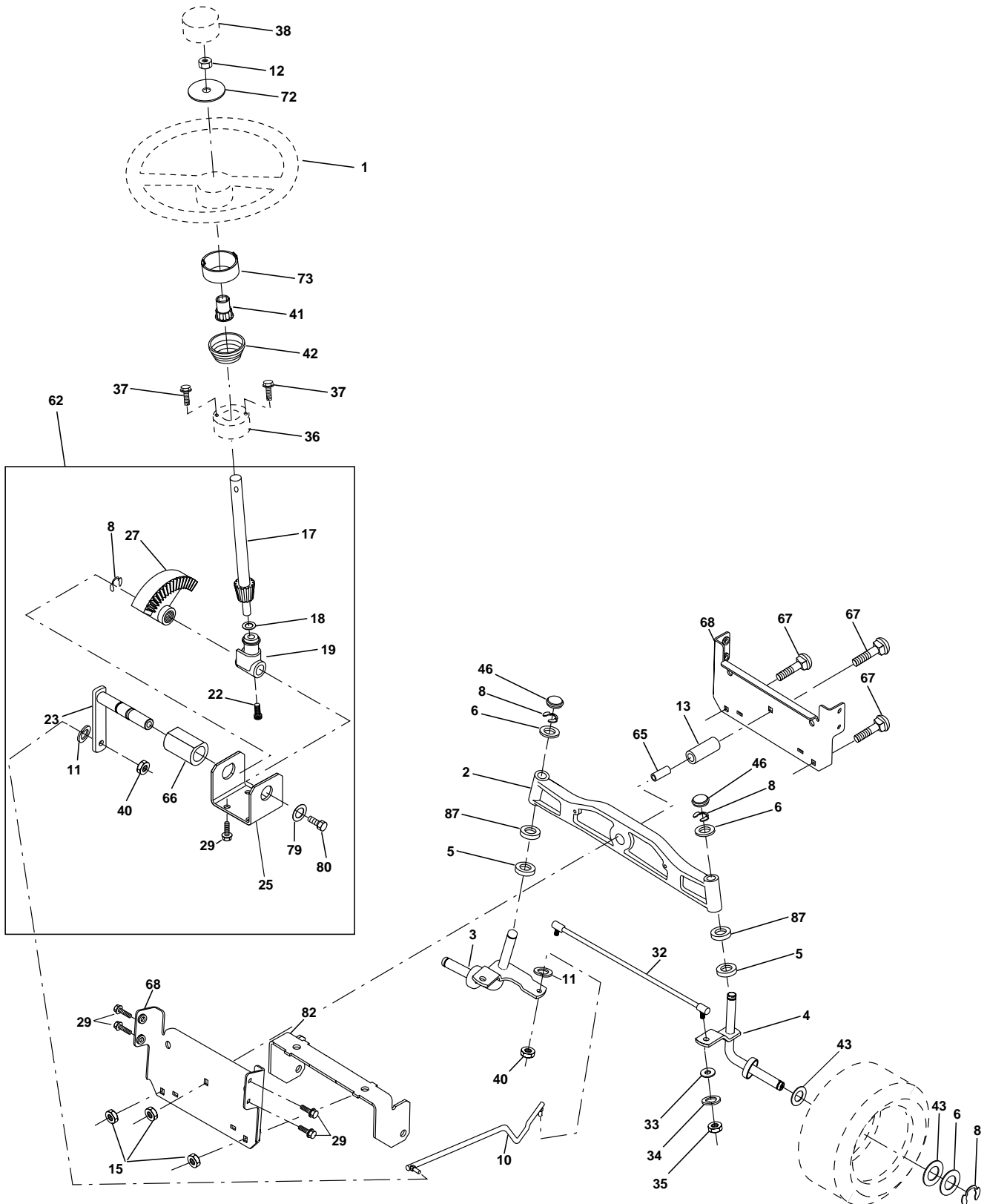
KEY NO.	PART NO.	DESCRIPTION	KEY NO.	PART NO.	DESCRIPTION
1	-----	Transaxle Hydro 314-0510 Order parts from transaxle manufacturer	59	532169691	Keeper, Center Span
8	532165866	Rod Shft Fender Adjust	61	817060612	Screw 3/8-16 x 3/4
9	532160889	Clutch Electric	62	532124872	Cover, Pedal Premium
10	876020416	Pin Cotter 1/8 x 1 CAD	63	532145868	Pulley, Engine
14	810040400	Washer Lock Hvy Helical	65	810040700	Washer Lock Hvy HLCL Spr 7/16
15	874490544	Bolt Hex Flghd 5/16-18 x Gr 5	66	532154778	Keeper Belt Engine Hydro
16	873800500	Nut Lock Hex W/Ins. 5/16-18 Unc P	73	532169182	Strap Torque Rh Hydro
19	873800600	Nut Lock Hex W/Ins 3/8-16 Unc	71	532169183	Strap Torque Lh Hydro
20	532150280	Bolt, Hex 7/16-20 x 4-1/4 5 Ga 1.38	74	532137057	Spacer, Axle
21	532130564	Knob Deluxe 1/2-13 UNC Blk/Red	75	532121749	Washer 25/32 x 1-1/4 x 16 Ga.
22	532169498	Rod, Brake Hydro	76	812000001	E-Ring
23	532171258	Bracket Asm Anti-Rot	77	532123583	Key, Square
24	873350600	Nut Hex Jam 3/8-16 UNC	78	532121748	Washer 25/32 x 1-5/8 x 16 Ga
25	532106888	Spring, Brake Rod	81	532165596	Shaft Asm Cross Tapered
26	819131316	Washer	82	532165711	Spring Torsion T/A
27	876020412	Pin Cotter 1/8 x 3/4 CAD.	83	819171216	Washer 17/32 x 3/4 x 16 Ga.
28	532145204	Rod, Parking Brake	84	532169594	Link Transaxle
29	532071673	Cap, Parking Brake	89	532166602	Console, Hydro Shift STLT
30	532169592	Bracket, Transaxle	90	532124346	Nut Self Thd Wsh-Hd 1/4 Zinc
32	874760512	Bolt Hex Hd 5/16-18 Unc x 3/4	95	532170201	Control Asm. Bypass Hydro
33	872140506	Bolt Carriage 5/16-18 UNC x 3/4	96	532124788	Retainer Spring 1" Zinc/Cad
34	532155071	Shaft, Foot Pedal	144	819111016	Washer 11/32 x 5/8 x 16 Ga
35	532120183	Bearing, Nylon	150	532165850	Bushing Bellcrank Grd Drive
36	819211616	Washer	151	819133210	Washer 13/32 x 2 x 10 Ga
37	532124963	Pin, Roll	156	532166002	Washer Srrted 5/16 ID x 1.125
38	532131494	Pulley, Idler, Flat	158	532165589	Bracket Shift Mount
39	874760644	Bolt	159	532165494	Hub Tapered Flange Shift
40	532124965	Spacer Split	161	872140406	Bolt Rdhd Sqnk 1/4-20 x 3/4 Gr 5
41	532165838	Keeper, Belt Idler	162	873680400	Nut Crownlock 1/4-20 Unc
42	819131312	Washer 13/32 x 13/16 x 12 Ga	163	874780416	Bolt Hex Fin 1/4-20 Unc x 1 Gr 5
47	532127783	Pulley, Idler, V-Groove Plastic	164	819091010	Washer 5/8 x .281 x 10 Ga
48	532154407	Bellcrank Clutch Grnd Drv STL	165	532165623	Bracket Pivot Lever
49	532123205	Retainer, Belt Style Spring	166	532166880	Screw 5/16-18 x 5/8
50	874760624	Bolt	168	532165492	Bolt Shoulder 5/16-18 x .561
51	873680600	Nut	169	532165580	Plate Fastening
52	873680500	Nut Crown Lock 5/16-18	197	532169613	Nyliner Snap-In 5/8" ID
53	532105710	Link, Clutch	198	532169593	Washer Nyl 7/8 ID x .105
55	532105709	Spring, Return, Clutch	199	532169612	Bolt Shoulder 5/16-18unc
56	874760620	Bolt, Fin Hex 3/8-16 UNC x 1 1/4	200	872140508	Bolt Rdhd Sqnk 5/8-16unc x 1
57	532140294	V-Belt, Ground Drive	202	872110612	Bolt Carr Sh 3/8-16 x 1-1/2 Gr 5

NOTE: All component dimensions given in U.S. inches
1 inch = 25.4 mm.

REPAIR PARTS

TRACTOR - - MODEL NUMBER LT18A (J18H42A), PRODUCT NO. 954 13 00-47

STEERING ASSEMBLY



REPAIR PARTS

TRACTOR - - MODEL NUMBER LT18A (J18H42A), PRODUCT NO. 954 13 00-47

STEERING ASSEMBLY

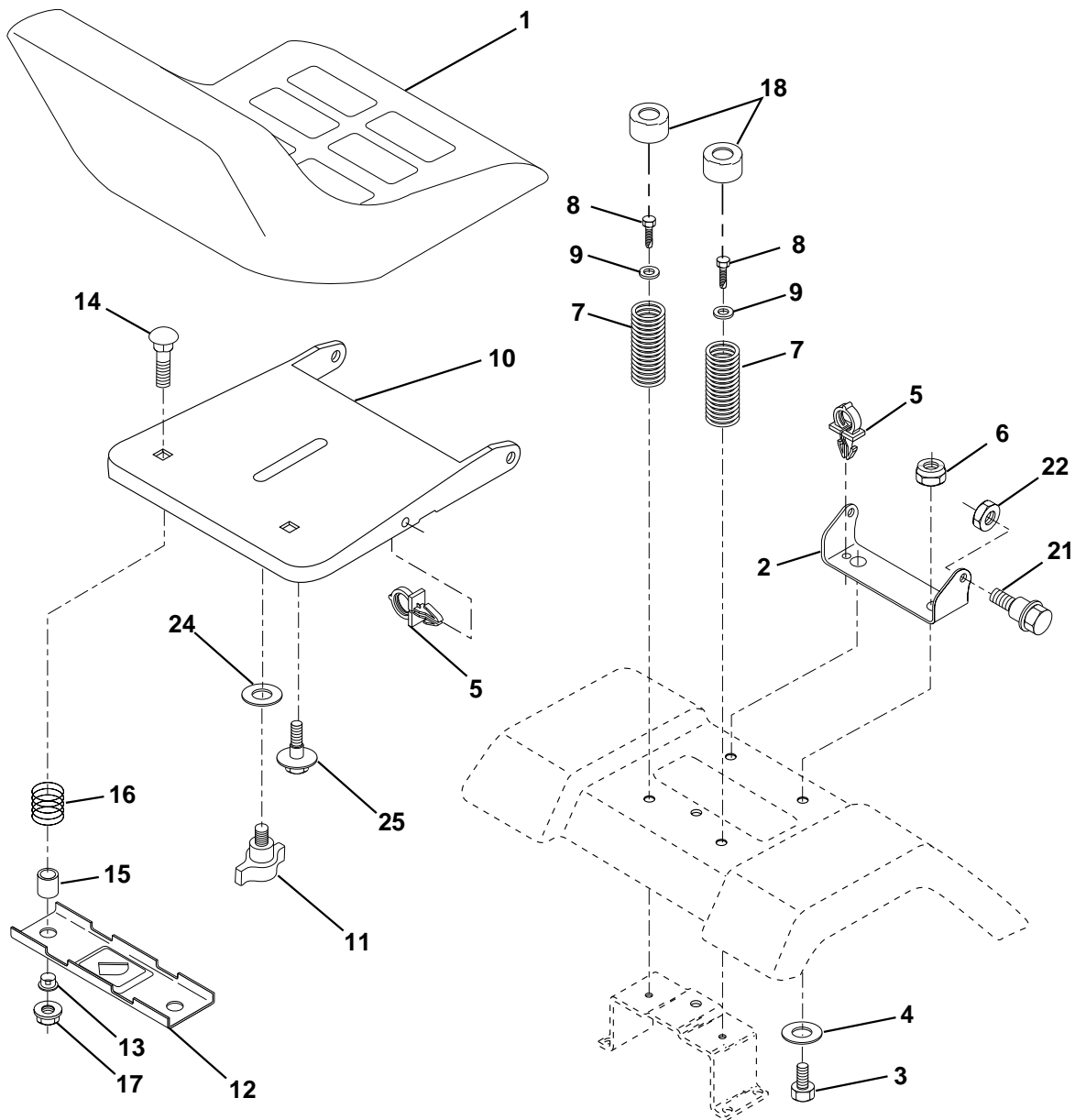
KEY NO.	PART NO.	DESCRIPTION
1	532172092	Wheel Steering
2	532172393	Axle Casting Iron Lt
3	532169840	Spindle Asm LH
4	532169839	Spindle Asm RH
5	532124931	Washer Thrust .75 x 1.230
6	532121748	Washer 25/32 X 1-5/8 X 16 Ga
8	812000029	Ring Klip #t5304-75
10	532169832	Draglink
11	810040600	Washer Lock Hvy Hlcl Spr 3/8
12	873940800	Nut Hex Jam Toplock 1/2-20unf
13	532136518	Spacer Bearing Axle Front
15	532145212	Nut Hex Flange Lock
17	532156543	Shaft Asm Strg
18	532057079	Washer Thrust 515x 750x 033
19	532160395	Support Shaft Steering
22	532165857	Screw Hex Wsh hd Torx
23	532165851	Shaft Asm Pittman
25	532154406	Bracket Steering
27	532136874	Gear Sector
29	817060612	Screw 3/8-16 x 3/4
32	532171888	Rod Asm Tie
33	819111216	Washer 11/32 x 3/4 x 16 Ga.
34	810040500	Washer Lock Hvy HLCL Spr. 5/16
35	873540500	Nut Crown Lock 5/16-24 Unf
36	532155105	Bushing Strg
37	532152927	Screw TT #32.5 x 5 x 3/8 Flange
38	532172093	Insert Cap Strg Wh
40	532124701	Nut Lock Center 3/8-24 Unf
41	532159945	Adaptor Wheel Strg
42	532177149	Boot Steering
43	532121749	Washer 25/32 X 1 1/4 X 16 Ga
46	532121232	Cap Spindle Fr Top Blk
62	532167905	Kit, Steering Assembly
65	532160367	Spacer Axle Brace
66	532154404	Bearing Arm Pittman
67	872140618	Bolt Rdhd Sqnk 3/8-16unc x 2-1/4
68	532169827	Brace Axle
72	819182411	Washer 9/16ID x 1-1/2 OD 11G Zin
73	532160135	Extension Steering Premuim
79	819132012	Washer 13/32 x 1-1/4 x 12 Ga
80	874950612	Bolt Hex Nylon 3/8-16 x 3/4
82	532169835	Bracket Susp Chassis Front
85	532133835	Fastener Christmas Tree
87	532173966	Washer Flat .781 x 1-1/2 x .14

NOTE: All component dimensions given in U.S. inches
1 inch = 25.4 mm.

REPAIR PARTS

TRACTOR - - MODEL NUMBER LT18A (J18H42A), PRODUCT NO. 954 13 00-47

SEAT ASSEMBLY



KEY NO.	PART NO.	DESCRIPTION
1	532140118	Seat
2	532140551	Bracket Pivot Seat 8 720
3	871110616	Bolt Hex 3/8-16unc x 1
4	819131610	Washer 13/32 X 1 X 10 Ga
5	532145006	Clip Push-In Hinged
6	873800600	Nut Lock Hex w/Ins. 3/8-16 Unc
7	532124181	Spring Seat Cprsn 2 250 Blk Zi
8	817000616	Screw 3/8-16 X 1
9	819131614	Washer 13/32 X 1 X 14 Ga
10	532174894	Pan Seat
11	532166369	Knob Seat
12	532121246	Bracket Mounting Switch

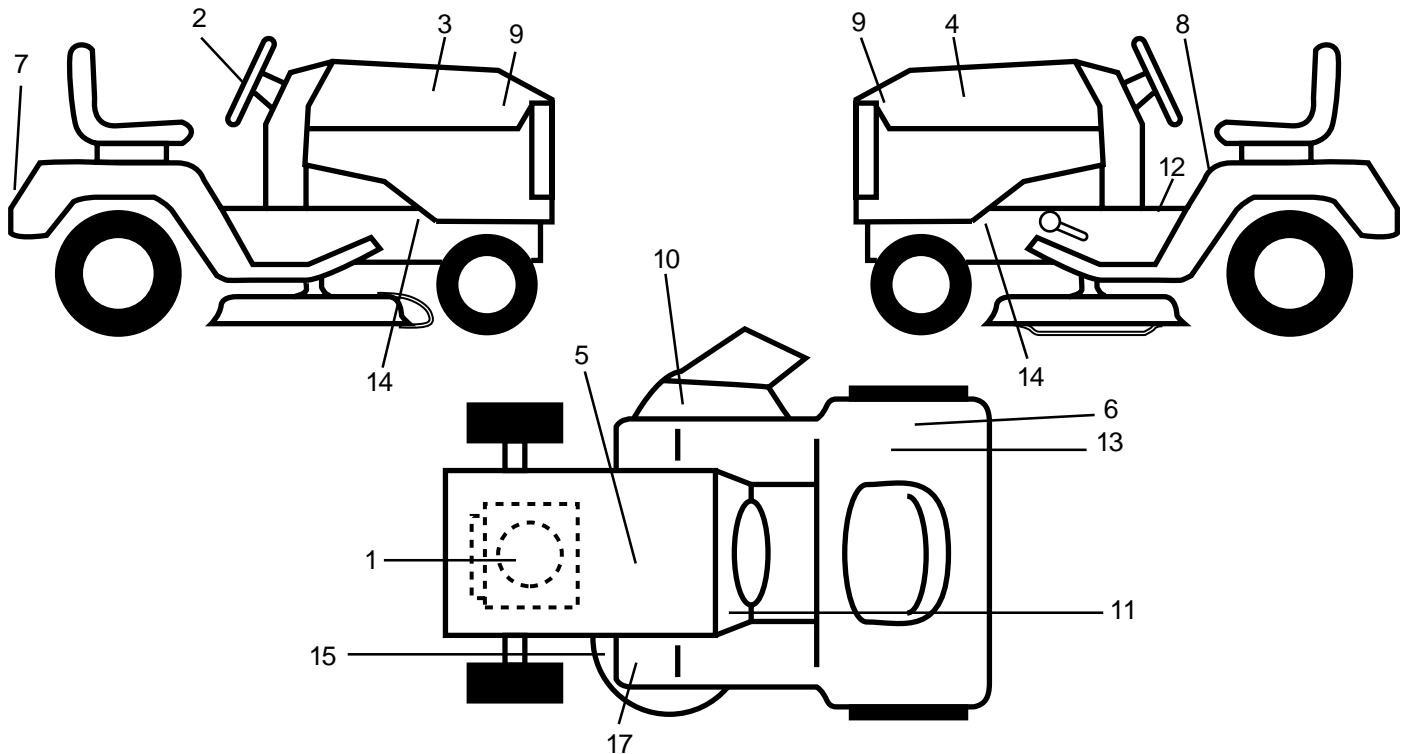
KEY NO.	PART NO.	DESCRIPTION
13	532121248	Bushing Snap Blk Nyl 50 Id
14	872050412	Bolt Rdhd Sht Nk 1/4-20x1-1/2
15	532121249	Spacer Split 28x 88 Yel Zinc
16	532123740	Spring Cprsn 1 310 Blk Pnt
17	532123976	Nut Lock 1/4 Lge Flg Gr 5 Zinc
18	532124238	Cap Spring Seat
21	532171852	Bolt Shoulder 5/16-18 Unc-2A
22	873800500	Nut Lock Hx W/Ins 5/16-18unc
24	819171912	Washer 17/32 X 1-3/16 X 12 Ga
25	532127018	Bolt Shoulder 5/16-18 X 62

NOTE: All component dimensions given in U.S. inches
1 inch = 25.4 mm.

REPAIR PARTS

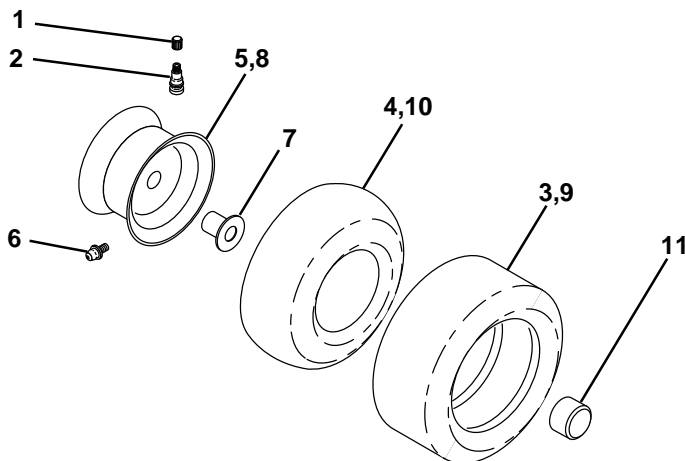
TRACTOR - - MODEL NUMBER LT18A (J18H42A), PRODUCT NO. 954 13 00-47

DECALS



KEY NO.	PART NO.	DESCRIPTION	KEY NO.	PART NO.	DESCRIPTION
1	532170850	Decal Engine	13	532145437	Decal Europe Stand CE
2	532170565	Decal Ins. Strg. Whl.	14	532159736	Decal Chassis Hot Muffler
3	532175889	Decal Hood RH	15	532160396	Decal V-Belt Sch 42"
4	532175890	Decal Hood LH	17	532159737	Decal Brake/Clutch Symbol LT
5	532145005	Decal Btry DNGR/PSN P/L Sym.	-	532162598	Decal Drawbar Load Limit
6	532126187	Decal 100 DBA Cert. Dutch/Fre	-	532138311	Decal Lift Handle(Lift Handle)
7	532141761	Decal Fender	-	532169210	Decal By Pass Lt Hydro
8	532145498	Decal Read Owners Manual	-	532171284	Pad Footrest LH STLT
9	532162927	Decal Hood Insert	-	532171285	Pad Footrest RH STLT
10	532145494	Decal Mower Cutfingher	-	532176845	Manual Oper. Euro.
11	532176909	Decal Dash	-	532176846	Manual Oper. Scan.
12	532140837	Decal Saddle Brake Parking			

WHEELS & TIRES



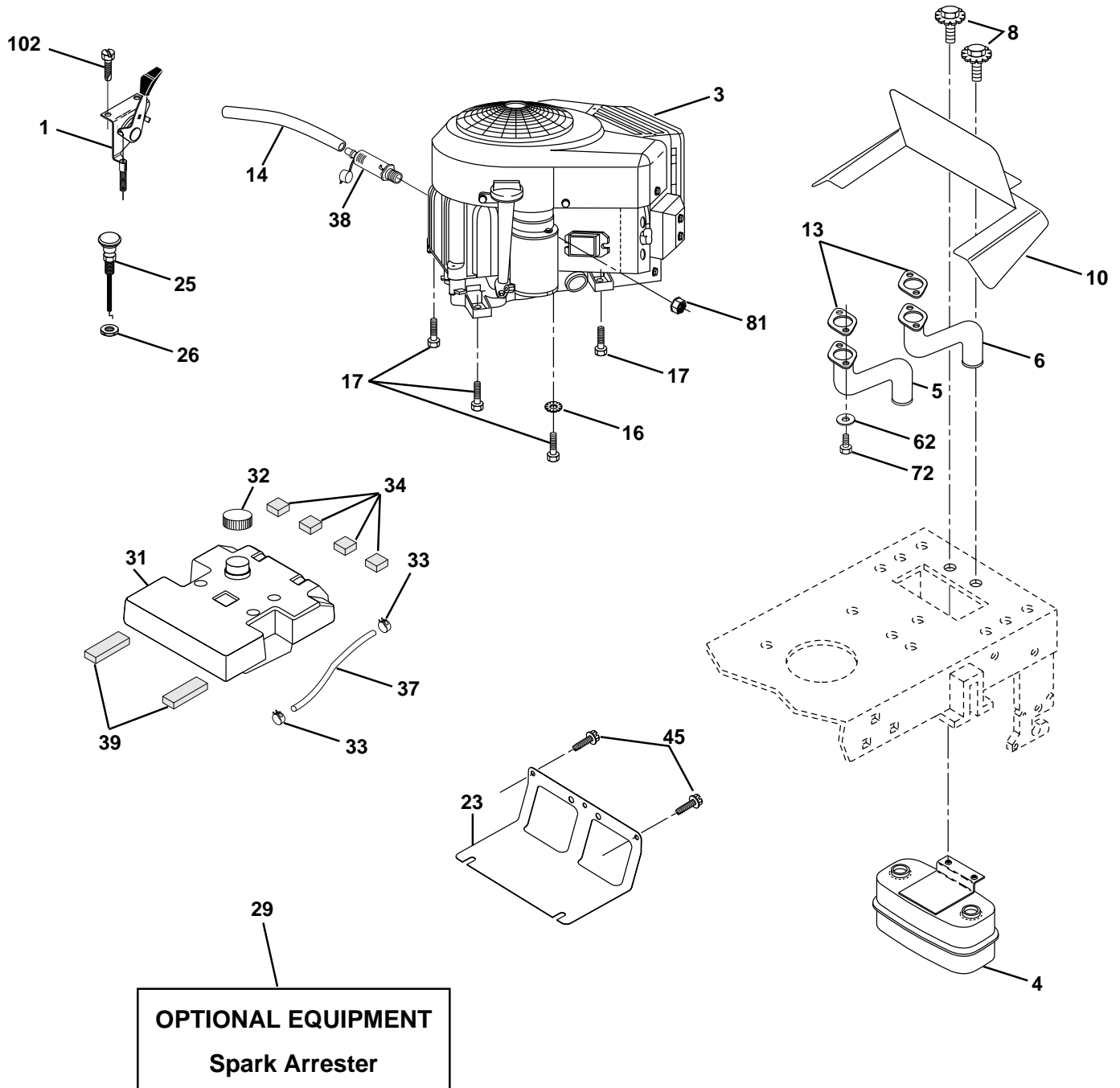
KEY NO.	PART NO.	DESCRIPTION
1	532059192	Cap Valve Tire
2	532065139	Stem Valve
3	532106222	Tire F Ts 15 X 6 0 - 6 Service
4	532059904	Tube Front (Service Item Only)
5	532138336	Rim Asm 6" front Silver Service
6	532124957	Fitting Grease (Front Wheel Only)
7	532124959	Bearing Flange (Front Wheel Only)
8	532138337	Rim Asm 8"rear Silver Service
9	532122082	Tire R Ts 20 10 C Service
10	532124926	Tube Rear (Service Item Only)
11	532175039	Cap, Hub Axle Blk 1.50 x 1.00
--	532144334	Tire, Sealant (10 oz. Tube)

NOTE: All component dimensions given in U.S. inches
1 inch = 25.4 mm

REPAIR PARTS

TRACTOR - - MODEL NUMBER LT18A (J18H42A), PRODUCT NO. 954 13 00-47

ENGINE



REPAIR PARTS

TRACTOR - - MODEL NUMBER LT18A (J18H42A), PRODUCT NO. 954 13 00-47

ENGINE

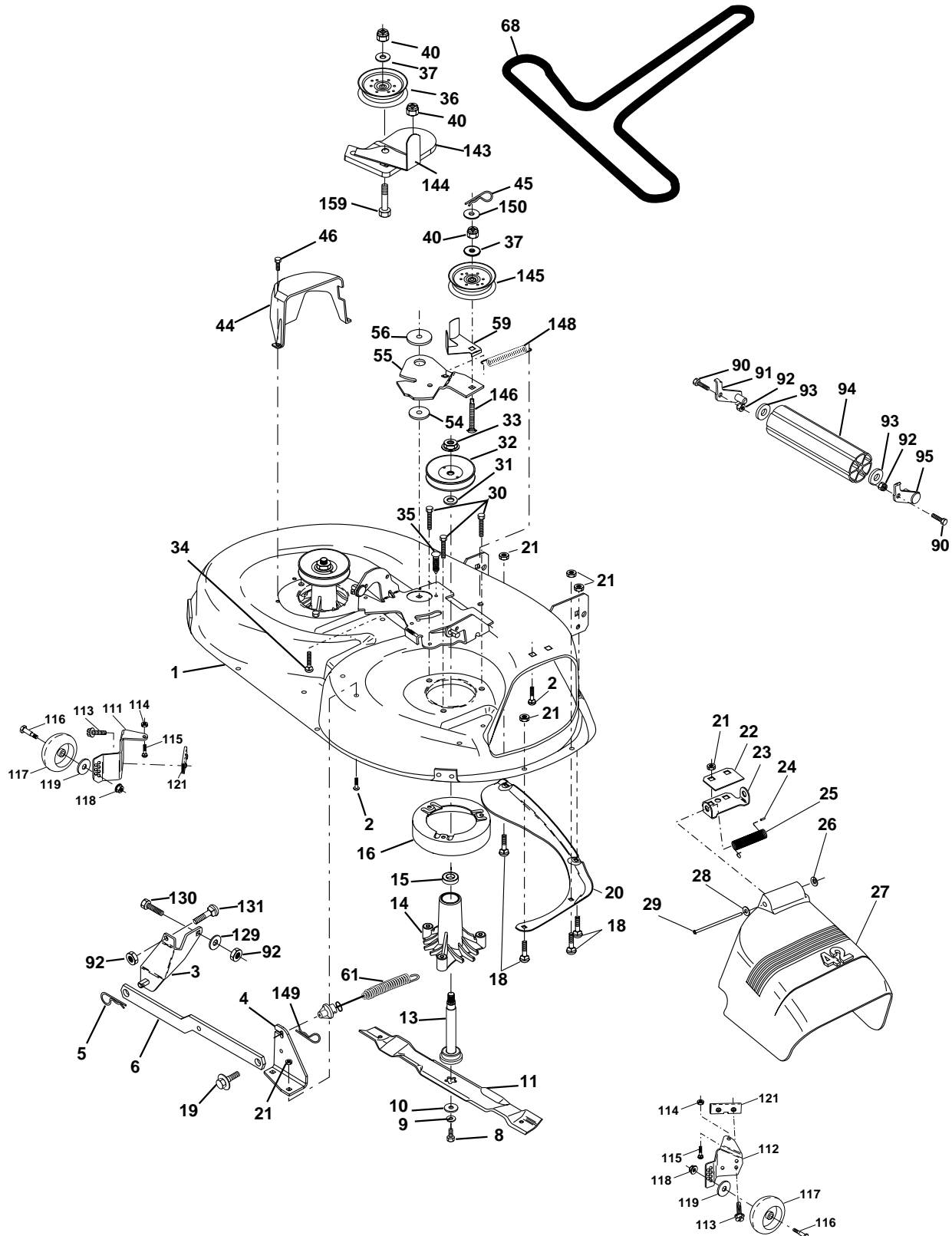
KEY NO.	PART NO.	DESCRIPTION
1	532164067	Control Throt
3	-----	Engine B&S Model No. 407777 Order parts from engine manufacturer
4	532149723	Muffler Twin Lo-Twin
5	532159955	Tube, Manifold Lh
6	532160589	Tube, Manifold Rh
8	532171877	Bolt 5/16-18 Unc x 3/4 w/Sems
10	532162797	Shield Browning Intek
13	532165391	Gasket Muffler
14	532148456	Tube Drain Oil Easy
16	811050600	Washer Lock Ext Tooth 3/8
17	817490624	Screw, Thdrol 3/8-16 x 1-1/2 Tytt
23	532169837	Shield Brn/Dbr Guard
25	532164068	Choke Control
26	873920600	Nut, Keps 3/8-24 Unf
29	532137180	Kit Spark Arrestor (Flat Scrn)
31	532157103	Tank Fuel 3 50 STLT w/o Sensor
32	532140527	Cap Asm Fuel W/sym Vented
33	532123487	Clamp Hose Blk
34	532106082	Pad, Spacer
37	532142158	Line Fuel
38	532148315	Plug Drain Oil Easy
39	532109227	Pad, Idler
45	817000612	Screw Hex Wsh Thdrol 3/8-16
62	810040500	Washer, Lock Hvy. Hlcl Spr 5/16
72	871070512	Screw Hex Hd Cap 5/16-18 x 3/4
81	873510400	Nut Keps Hex 1/4-20 Unc
102	532164863	Screw Hwhd Hi-Lo #13-16 x 3/4

NOTE: All component dimensions given in U.S. inches
1 inch = 25.4 mm

REPAIR PARTS

TRACTOR - - MODEL NUMBER LT18A (J18H42A), PRODUCT NO. 954 13 00-47

MOWER DECK



REPAIR PARTS

TRACTOR - - MODEL NUMBER LT18A (J18H42A), PRODUCT NO. 954 13 00-47

MOWER DECK

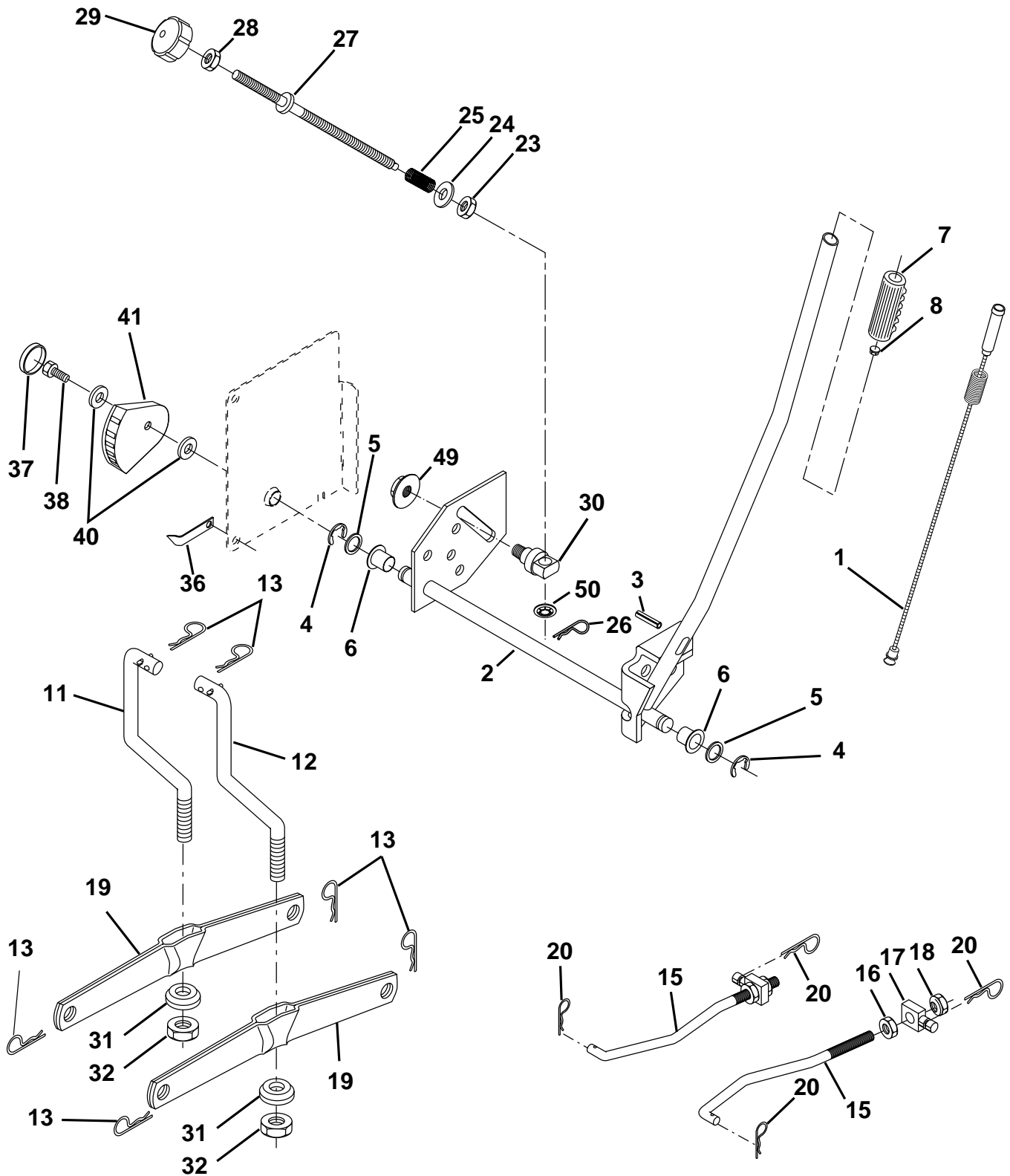
KEY NO.	PART NO.	DESCRIPTION	KEY NO.	PART NO.	DESCRIPTION
1	532165892	Mower Deck Assembly, 42"	59	532141043	Guard, TUV Idler
2	872140506	Bolt	61	532174882	Spring Ext Elect Clutch 42" Dck
3	532138017	Bracket Assembly, Sway Bar, Front	68	532144959	V-Belt
4	532165460	Bracket Sway Bar 38/42" Deck	90	874760616	Bolt Fin Hex 3/8-16unc x 1
5	532124670	Retainer Spring	91	532132274	Bracket Asm Noseroller LH
6	532130832	Arm, Suspension, Rear	92	873800600	Nut Lock Hex W/Ins 3/8-16unc
8	532850857	Bolt, Hex 3/8-24 x 1.25 Gr. 8	93	819171416	Washer 17/32 x 7/8 x 16 Ga
9	810030600	Washer, Lock	94	532132264	Roller Nose 38 50"
10	532140296	Washer, Hardened	95	532132273	Bracket Asm Noseroller RH
11	532138498	Blade High Perf	111	532155197	Bracket, Gauge, Wheel L.H.
13	532137645	Shaft Assembly, Mandrel, Vented (Includes Key Number 12)	112	532155198	Bracket, Gauge, Wheel R.H.
14	532128774	Housing, Mandrel, Vented	113	817060514	Screw Tapping 5/16-18 Unc
15	532110485	Bearing, Ball, Mandrel	114	873510500	Nut, Hex, Keps 5/16-18 UNC
16	532140329	Stripper, Vented Mower Deck	115	872110504	Bolt, Carriage 5/16 UNC x 1/2
18	872140505	Bolt, Carriage 5/16-18 x 5/8	116	532124842	Bolt, Shoulder
19	532132827	Bolt, Shoulder	117	532165746	Wheel, Gauge
20	532159770	Baffle, Vortex	118	873930600	Nut, Centerlock 3/8-16
21	873680500	Nut Crownlock 5/16-18 UNC	119	819121414	Washer 3/8 x 7/8 x 14 Gauge
22	532134753	Stiffener Bracket	121	532143723	Bracket
23	532131267	Bracket, Deflector	129	819131312	Washer 13/32 x 13/16 x12 Ga.
24	532105304	Cap, Sleeve	130	874780616	Bolt, Fin Hex 3/8-16 UNC x1 Gr. 5
25	532123713	Spring, Torsion, Deflector	131	872140608	Bolt, Rdhd Sqkn 3/8-16UNCx 1
26	532110452	Nut, Push	143	532157109	Bracket Arm Idler 42"
27	532171859	Shield, Deflector	144	532158634	Keeper Belt 42" Clutch Cable
28	819111016	Washer 11/32 x 5/8 x 16 Ga.	145	532165888	Pulley Idler Flat
29	532131491	Rod, Hinge	146	532171977	Bolt Carriage Idler
30	532157722	Screw Thdrol Washer Head	148	532169022	Spring Return Idler
31	532129963	Washer, Spacer	149	532165898	Retainer Spring Yellow Zinc
32	532153535	Pulley, Mandrel	150	819091216	Washer 9/32 x 3/4 x 16 Ga.
33	532137266	Nut, Toplock, Flanged	159	872140614	Bolt Rdhd Sqn 3/8-16 UNC x 1- 3/4
34	872110614	Bolt	--	532130794	Mandrel Assembly (Includes Key Numbers 8-10, 13-15, 31 and 32)
35	532133835	Fastner, Christmas Tree	--	532176207	Mower Deck, Complete (Standard Deck, Order Separately Nose Roller and Gauge Wheel Components, Key Nos. 90-95 and 111-121)
36	532131494	Pulley, Idler, Flat			
37	819131316	Washer 13/32 x 13/16 x 16 Gauge			
40	873680600	Nut Crownlock 3/8-16 UNC			
44	532140088	Guard, Mandrel, L.H.			
45	532124788	Retainer			
46	532137729	Screw, Thd. Roll 1/4-20 x 5/8			
54	532133943	Washer, Hardened			
55	532155046	Arm, Idler			
56	532165723	Spacer, Retainer			

NOTE: All component dimensions given in U.S. inches
1 inch = 25.4 mm

REPAIR PARTS

TRACTOR - - MODEL NUMBER LT18A (J18H42A), PRODUCT NO. 954 13 00-47

MOWER LIFT



REPAIR PARTS

TRACTOR - - MODEL NUMBER LT18A (J18H42A), PRODUCT NO. 954 13 00-47

MOWER LIFT

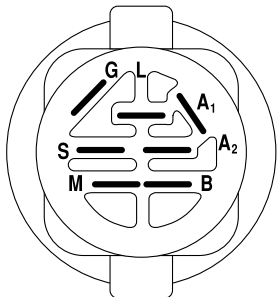
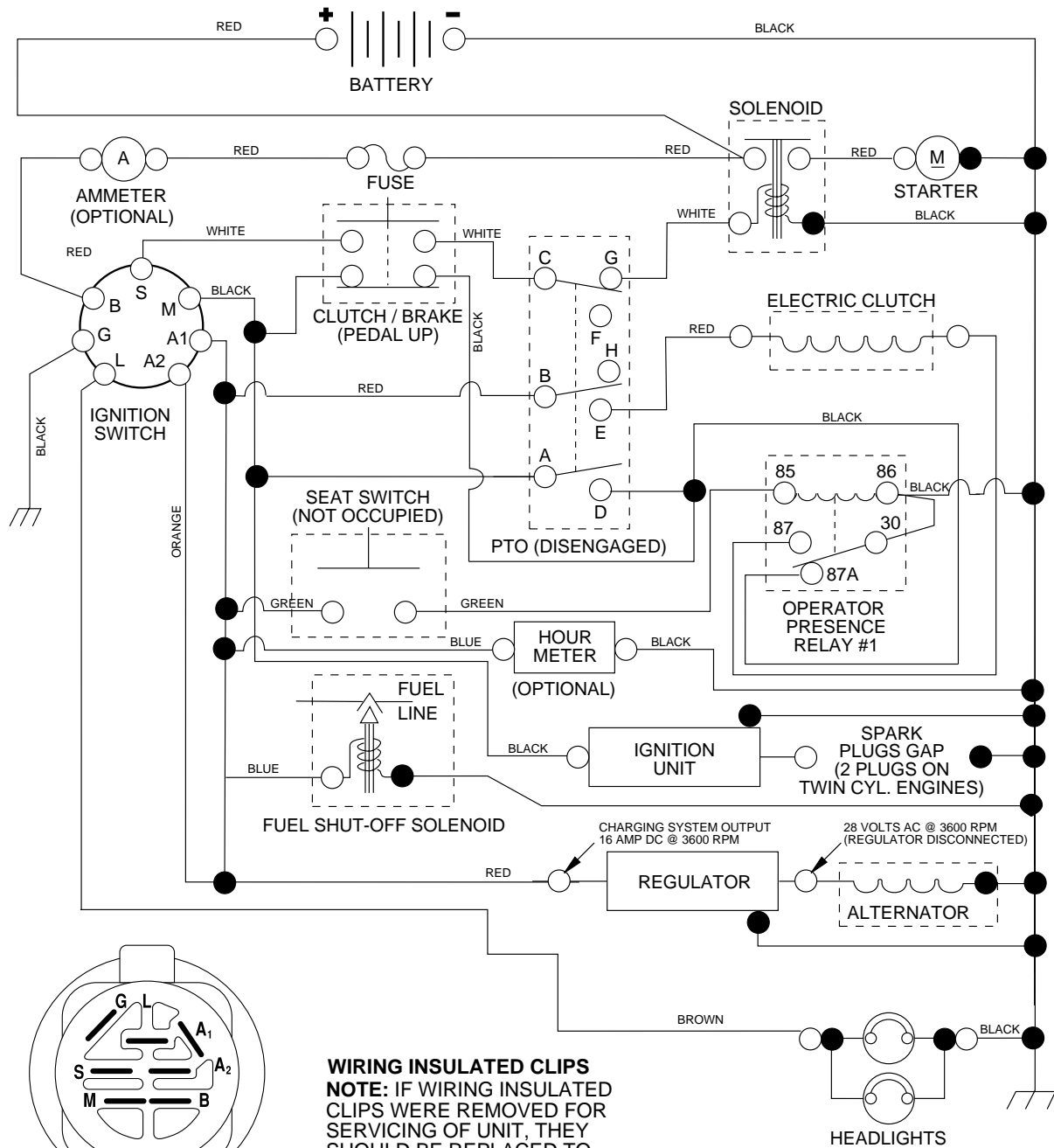
KEY NO.	PART NO.	DESCRIPTION
1	532159461	Wire Asm Inner W/plunger
2	532159476	Shaft Asm Lift RH
3	532138284	Pin Groove
4	812000002	E Ring #5133-62
5	819211621	Washer 21/32 X 1 X 21 Ga
6	532120183	Bearing Nylon Blk 629 Id
7	532125631	Grip Handle
8	532122365	Button Plunger
11	532139865	Link Lift LH Fixed Length
12	532139866	Link Lift RH Fixed Length
13	532124670	Retainer Spring
15	532173288	Link Front
16	873350800	Nut Jam Hex 1/2-13 Unc
17	532130171	Trunnion Blk Zinc
18	873800600	Nut Lock W/Wsh 1/2-13 Unc
19	532139868	Arm Suspension Rear
20	532163552	Retainer Spring
23	532110807	Nut Special
24	819131016	Washer 13/32 X 5/8 X 16 Ga
25	532164024	Spring
26	532169484	Retainer Clip
27	532164543	Rod Adj Lift
28	873350600	Nut Hex Jam 3/8-16 Unc
29	532138057	Knob Inf 3/8-16 Unc Blk W/sym
30	532150233	Trunnion Infin Height
31	532169865	Bearing Pvt Lift
32	873540600	Nut Crownlock 3/8-24
36	532155097	Pointer Height ind
37	532123935	Plug Hole Blk 1.485/1.515 Dia.
38	817060516	Screw 5/16-18 x 1
40	819112410	Washer 11/32 x 1-1/2 10 Ga.
41	532155098	Ind. Height STLT
49	532145212	Nut Hexflange Lock
50	532110452	Nut Push Phos & Oil

NOTE: All component dimensions given in U.S. inches
1 inch = 25.4 mm

REPAIR PARTS

TRACTOR - - MODEL NUMBER LT18A (J18H42A), PRODUCT NO. 954 13 00-47

SCHEMATIC



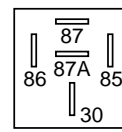
IGNITION SWITCH

POSITION	CIRCUIT	"MAKE"
OFF	M+G+A1	NONE
RUN/LIGHT	B+A1	A2+L
RUN	B+A1	NONE
START	B + S + A1	NONE

WIRING INSULATED CLIPS
NOTE: IF WIRING INSULATED CLIPS WERE REMOVED FOR SERVICING OF UNIT, THEY SHOULD BE REPLACED TO PROPERLY SECURE YOUR WIRING.

POSITION	CIRCUIT
OFF	C + G, B + H
ON	C + F, B + E, A + D

● NON-REMOVABLE CONNECTIONS
○ REMOVABLE CONNECTIONS



RELAY

