

LT13

Spare parts
Ersatzteile
Pièces détachées
Reserve onderdelen
Repuestos
Reservdelar

REPAIR PARTS

TRACTOR - MODEL NO. LT13 (JLT13A), PRODUCT NO. 954 13 00-45

ELECTRICAL

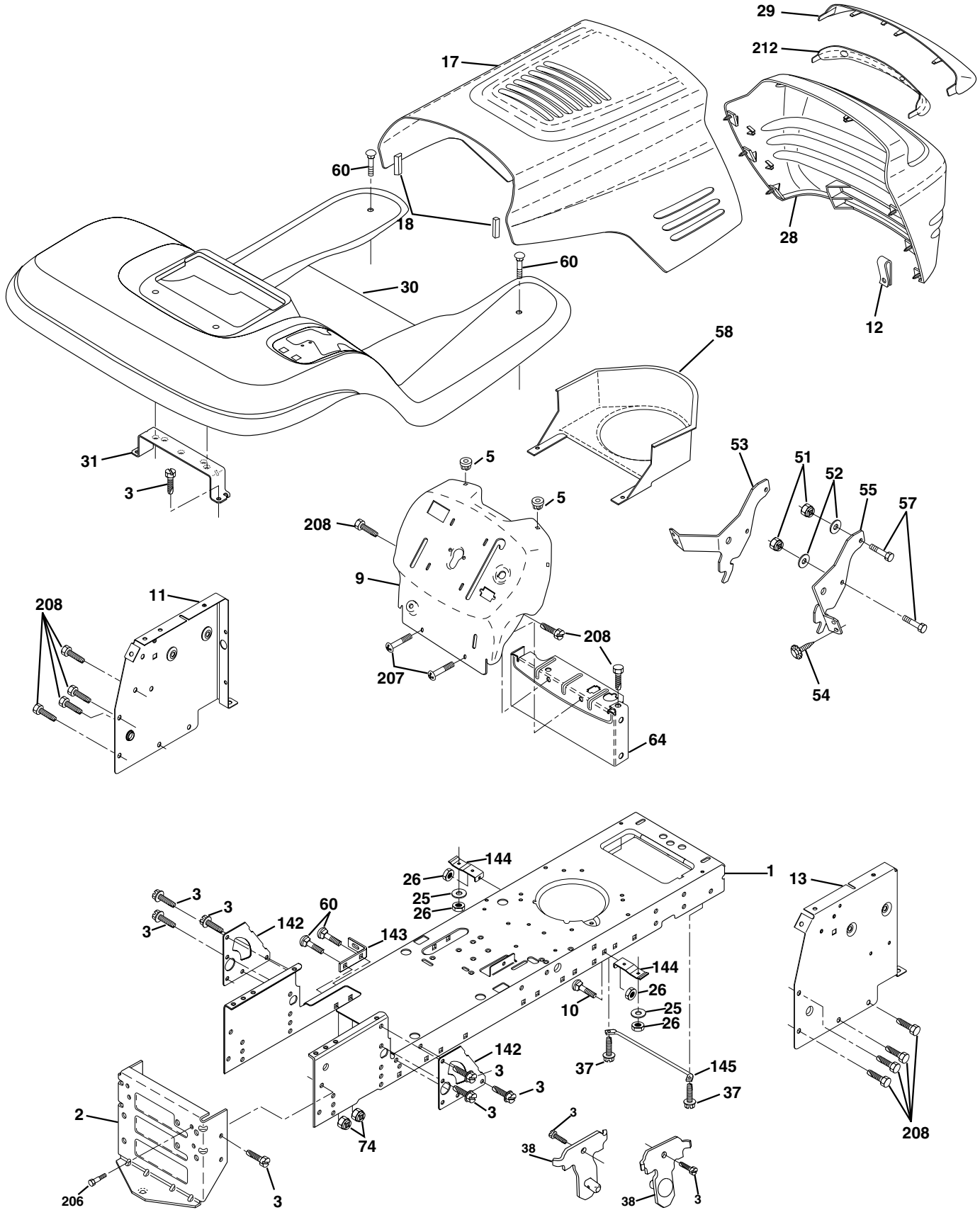
KEY NO.	PART NO.	DESCRIPTION
1	532144925	Battery 12 Volt 25 AMP
2	874760412	Bolt Hex Hd 1/4-20unc X 3/4
8	532156417	Case Battery Mech Hinge
16	532153664	Switch Interlock Push-In
21	532166182	Harness Asm Light W/4152j
22	532004152	Bulb Light #1156
24	532124780	Cable Battery 6 Ga 11" red
25	532146147	Cable Battery 6 Ga 44" red w/16 wire
26	532175158	Fuse 20 AMP
27	873510400	Nut Keps Hex 1/4-20 Unc
28	532124773	Cable Ground 6 Ga 12" black
29	532121305	Switch Plunger Nc Gray
30	532175566	Switch Ign
33	532140401	Key Ign
40	532170217	Harness Ign.
41	871110408	Bolt Blk Fin Hex 1/4 - 20 x 1/2
42	532131563	Cover Terminal Red
43	532175141	Solenoid
48	532140844	Adapter Ammeter
52	532141940	Protection Wire Loop

NOTE: All component dimensions given in U.S. inches.
1 inch = 25.4 mm.

REPAIR PARTS

TRACTOR - MODEL NO. LT13 (JLT13A), PRODUCT NO. 954 13 00-45

CHASSIS AND ENCLOSURES



REPAIR PARTS

TRACTOR - MODEL NO. LT13 (JLT13A), PRODUCT NO. 954 13 00-45 CHASSIS AND ENCLOSURES

KEY NO.	PART NO.	DESCRIPTION
1	532169830	Chassis Weldment
2	532169061	Drawbar
3	817060612	Screw 3/8-16 x .75 SMGML
5	532155272	Bumper Hood/Dash
9	532172151	Dash P/L
10	872140608	Bolt Carriage 3/8-16 x 1
11	532155927	Panel Dash Lh
12	532145660	Clip Tinnerman Grille P/L
13	532172107	Panel Dash Rh
17	532150760	Hood LT/PL with Louvers
18	532126938	Bumper Hood
25	819131312	Washer 13/32 X 13/16 X 12 Ga
26	873800600	Nut Lock Hex W/Ins 3/8-16 Unc
28	532169509	Grill/Lens Asm.
29	532166603	Lens LT/PL Grille Shark Plain
30	532172157	Fender Footrest
31	532139976	Bracket Support Fender
37	817490508	Screw Thdrol 6/16-18 x 1/2 TYT
38	532169834	Bracket, Asm. Pivot
51	873800400	Nut Lock Hex W/Ins 1/4-20
52	819091416	Washer 9/32 x 7/8 x 16 Ga.
53	532145201	Bracket Pnt. Pickoff LH
54	532161464	Screw Hex Wshd 8-18 x 7/8
55	532145202	Bracket Grille Pickoff RH
57	874780412	Bolt Hex 1/4-20 x 3/4
58	532150127	Duct Air Engine
60	872140606	Bolt Rdhd Sqnk 3/8-16unc x 3/4
64	532154798	Dash Lower STLT
74	873680600	Nut Crownlock 3/8-16 UNC
142	532165867	Plate Reinforcement STLT
143	532154966	Bracket Swaybar Chassis
144	532154207	Bracket Pnt Footrest STLT
145	532156524	Rod Pivot Chassis/Hood
206	532170165	Bolt Shoulder 5/16-18
207	817670508	Screw Thdrol 5/16-18 x 1/2
208	817670608	Screw Thdrol 3/8-16 x 1/2
212	532165919	Insert Lens Reflective
--	532005479	Plug Button

NOTE: All component dimensions given in U.S. inches
1 inch = 25.4 mm

REPAIR PARTS

TRACTOR - MODEL NO. LT13 (JLT13A), PRODUCT NO. 954 13 00-45

DRIVE

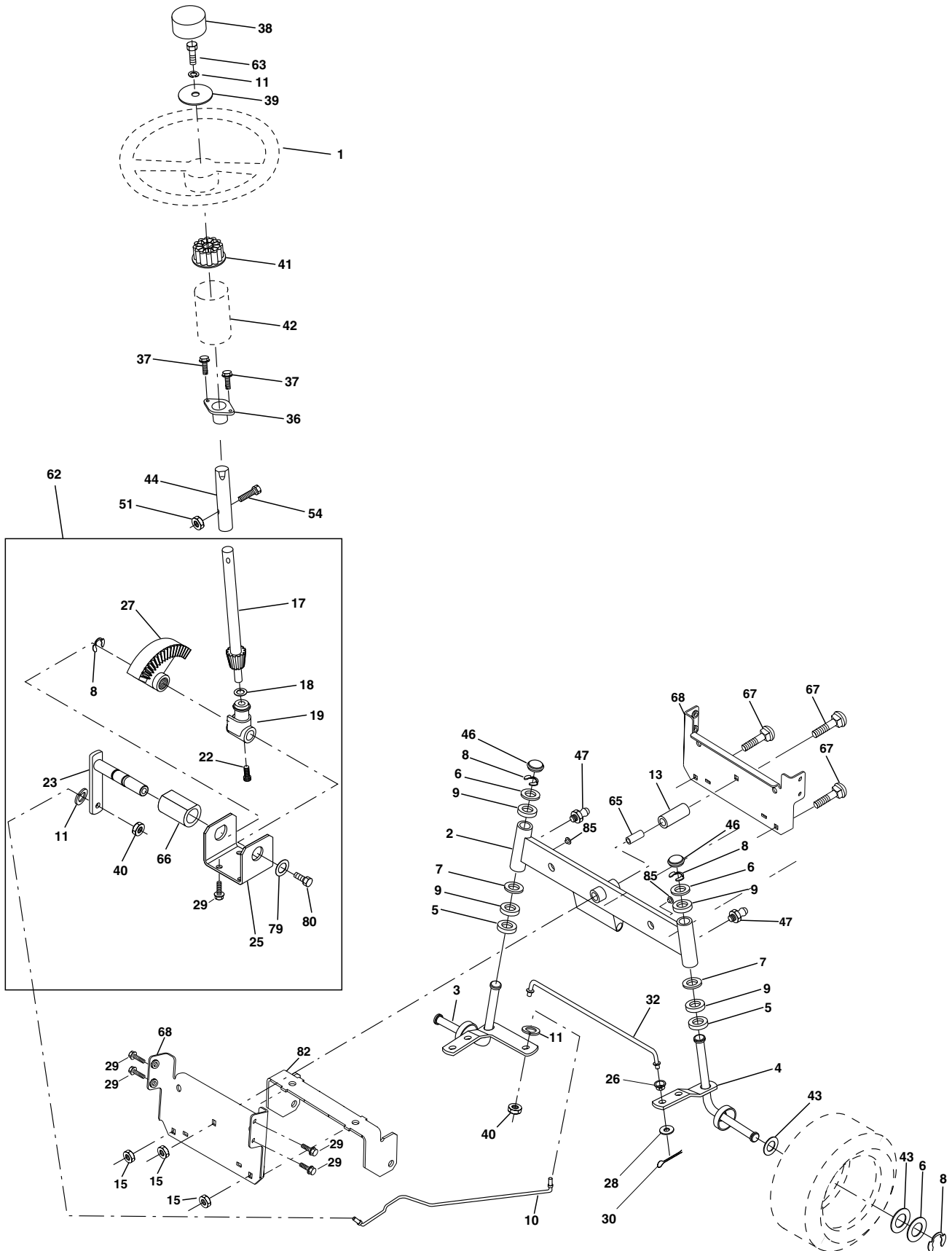
KEY NO.	PART NO.	DESCRIPTION	KEY NO.	PART NO.	DESCRIPTION
1	-----	Transaxle Peerless 206-545C Order parts from transaxle manufacturer	59	532169691	Keeper Belt Span Ctr
2	532146682	Spring Return Brake T/a Zinc	61	817060612	Screw 3/8-16 x .75
3	532123666	Pulley Transaxle 18" tires	62	532124872	Cover Pedal Round
4	812000028	Ring Retainer # 5100-62	63	532140186	Engine Pulley LT/YT
5	532121520	Strap Torque 30 Degrees	64	871170764	Bolt Hex
6	817060512	Screw Thdrol 5/16-18	65	810040700	Washer Lock Hvy Hlcl Spr 7/16
8	532165866	Rod Shift Fender Adjust Lt	66	532154778	Keeper Belt Engine Foolproof
10	876020416	Pin Cotter 1/8 X 1 Cad	70	532134683	Guide Belt Mower Drive RH
11	532105701	Washer Plate Shf 388 Sq Hole	72	819132012	Washer 13/32 X 1-1/4 X 12 Ga
13	874550412	Bolt 1/4-28 Unf Gr 8 W/Patch	74	532137057	Spacer Axle
14	810040400	Washer Lock Hvy Helical	75	532121749	Washer 25/32 X 1 1/4 X 16 Ga
16	873800500	Nut Lock Hex w/lns 5/16-18	76	812000001	E-ring #5133-75
18	874780616	Bolt, Fin Hex 3/8-16 UNC x 1 Gr. 5	77	532123583	Key Square 2 0 X 1845/ 1865
19	873800600	Nut Lock 3/8-16 Unc	78	532121748	Washer 25/32 X 1-5/8 X 16 Ga
21	532121274	Knob	79	532125096	Key Woodruff #9 3/16 x 3/4
22	532130804	Rod Brake Blk Zinc 26 840	80	532131486	Arm Shift
24	873350600	Nut Hex Jam 3/8-16 Unc	81	532165594	Shaft Asm Cross 18"t
25	532106888	Spring Rod Brake 2 00 Zinc	82	532165711	Spring Torsion T/a
26	819131316	Washer 13/32 X 13/16 X 16 Ga	83	819171216	Washer 17/32 X 3/4 X 16 Ga
27	876020412	Pin Cotter 1/8 X 3/4 Cad	84	532166228	Link Transaxle
28	532145204	Rod Brake Parking LT/YT	85	532150360	Nut Lock Center 1/4 - 28 FNTHD
29	532071673	Cap Brake Parking Black	89	532166556	Console Shift STLT
30	532174973	Bracket Mtg Transaxle	90	532124346	Nut Self-thd Wsh-hd 1/4 Zinc
31	532127275	Keeper Belt LH	96	532124788	Retainer Spring 1"
32	874760512	Bolt Hex Hd 5/16-18unc X 3/4	112	819091210	Washer 9/32 x 3/4 x 10 Ga.
34	532155071	Shaft Asm Pedal Foot	113	532127285	Strap Torque LT
35	532120183	Bearing Nylon Blk 629 Id	116	872110610	Bolt Rdhd Sq Neck 3/8-16 x 1.25
36	819211616	Washer 21/32 X 1 X 16 Ga	145	874490540	Bolt Hex 5/16-18 Gr. 5
37	532124963	Pin Roll 3/16 X 1"	150	532165850	Bushing Bellcrank Grd Drive
38	532131494	Pulley Idler Flat	151	819133210	Washer 13/32 x 2 x 10 Ga.
39	874760644	Bolt Fin Hex 3/8-16 Unc x 2-3/4	156	532166002	Washer Srrted 5/16ID x 1.125
40	532124965	Spacer Split 395 X 59 Bzp	158	532165589	Bracket Shift Mount
41	532165838	Keeper Belt Idler Flat	159	532165494	Hub Tapered Flange Shift Lt
42	819131312	Washer 13/32 X 13/16 X 12 Ga	161	872140406	Bolt Rdhd Sqnk 1/4-20 x 3/4 Gr 5
47	532127783	Pulley Idler V Groove Plastic	162	873680400	Nut Crownlock 1/4-20 Unc
48	532154407	Bellcrank Clutch Grnd Driv	163	874780416	Bolt Hex Fin 1/4-20 Unc x 1 Gr 5
49	532123205	Retainer Belt Style Spring	164	819091010	Washer 5/8 x .281 x 10 Ga
50	874760624	Bolt Hex Hd 3/8-16unc X 1-1/2	165	532165623	Bracket Pivot Lever
51	873680600	Nut Crownlock 3/8-16 Unc	166	532166880	Screw 5/16-18 x 5/8
52	873680500	Nut Crownlock 5/16-18 Unc	168	532165492	Bolt Shoulder 5/16-18 x .561
53	532105710	Link Clutch	169	532165580	Plate Fastening Lt
55	532105709	Spring Return Clutch 6 75	197	532169613	Nyliner Snap-In
56	874760620	Bolt Fin Hx 3/8-16 X 1/4	198	532169593	Washer Nyl 7/8 ID x 105"
57	532130801	V-Belt Ground Drive 95 25	202	872110612	Bolt Carr. SH 3/8-16 x 1-1/2 Gr. 5
58	532127274	Keeper Belt RH			

NOTE: All component dimensions given in U.S. inches
1 inch = 25.4 mm

REPAIR PARTS

TRACTOR - MODEL NO. LT13 (JLT13A), PRODUCT NO. 954 13 00-45

STEERING ASSEMBLY



REPAIR PARTS

TRACTOR - MODEL NO. LT13 (JLT13A), PRODUCT NO. 954 13 00-45

STEERING ASSEMBLY

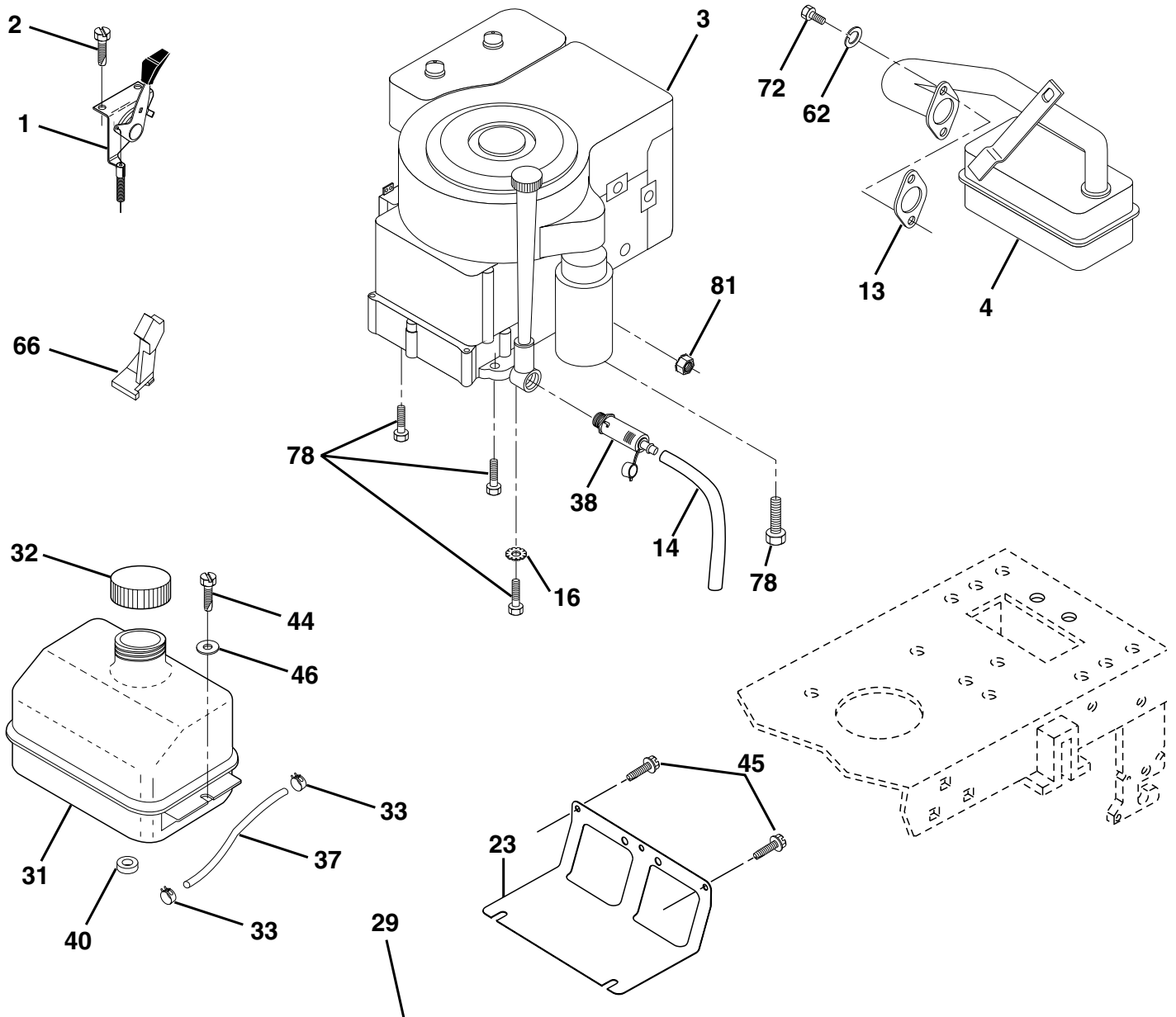
KEY NO.	PART NO.	DESCRIPTION
1	532177182	Wheel Steering
2	532154427	Axle Asm STMP Dropped STL
3	532169840	Spindle Asm LH
4	532169839	Spindle Asm RH
5	532124931	Bearing Race Thrust Harden
6	532121748	Washer 25/32 X 1-5/8 X 16 Ga
7	819272016	Washer 27/32 X 1-1/4 X 16 Ga
8	812000029	Ring Klip #t5304-75
9	532124937	Bearing Col Strg Blk
10	532169832	Link Drag
11	810040600	Washer Lock Hvy Hlcl Spr 3/8
13	532136518	Bearing Axle STL/GT
15	532145212	Nut Hexflange Lock
17	532156546	Shaft Asm Strg
18	532057079	Washer Thrust 515x 750x 033
19	532160395	Support Shaft
22	532165857	Screw Hex Wsh hd Torx
23	532165851	Shaft Asm Pittman
25	532154406	Bracket Steering
26	532126847	Bushing Link Drag Blk LR
27	532136874	Gear Sector
28	819131416	Washer 13/32 X 7/8 X 16 Ga
29	817060612	Screw 3/8-16x3/4 SMGML
30	876020412	Pin Cotter 1/8 X 3/4 Cad
32	532130465	Rod Tie Wire Form 19 75 Mech
36	532155099	Bushing Strg
37	532152927	Screw
38	532177183	Insert Cap Strg Wh
39	819133812	Washer 13/32 X 2-3/8 X 8 Ga
40	532124701	Lock nut
41	532100711	Adaptor Wheel Strg
42	532169633	Boot Steering Shaft
43	532121749	Washer 25/32 X 1 1/4 X 16 Ga
44	532153720	Extension Steering Shaft LR/LT
46	532121232	Cap Spindle Fr Top Blk
47	532124836	Fitting Grease
51	873800500	Nut Lock Hex w/Ins 5/16-18
54	874780520	Bolt Fin Hex 5/16-18 Unc x 1-1/4
62	532167902	Kit, Steering Assembly Svc
63	874780616	Bolt Fin Hex 3/8-16unc x 1 Gr. 5
65	532160367	Spacer Axle
66	532154404	Bearing Arm Pittman
67	872140618	Bolt RDHD SQNK 3/8-16 x 2-1/4
68	532169827	Axle, Brace
79	819132012	Washer 13/32 x 1-1/4 x 12 Ga
80	874950612	Bolt Hex Nylon 3/8-16 x 3/4
82	532169835	Bracket Susp Chassis Front
85	532133835	Fastner Christmas Tree

NOTE: All component dimensions given in U.S. inches.
1 inch = 25.4 mm.

REPAIR PARTS

TRACTOR - MODEL NO. LT13 (JLT13A), PRODUCT NO. 954 13 00-45

ENGINE



OPTIONAL EQUIPMENT
Spark Arrester

REPAIR PARTS

TRACTOR - MODEL NO. LT13 (JLT13A), PRODUCT NO. 954 13 00-45

ENGINE

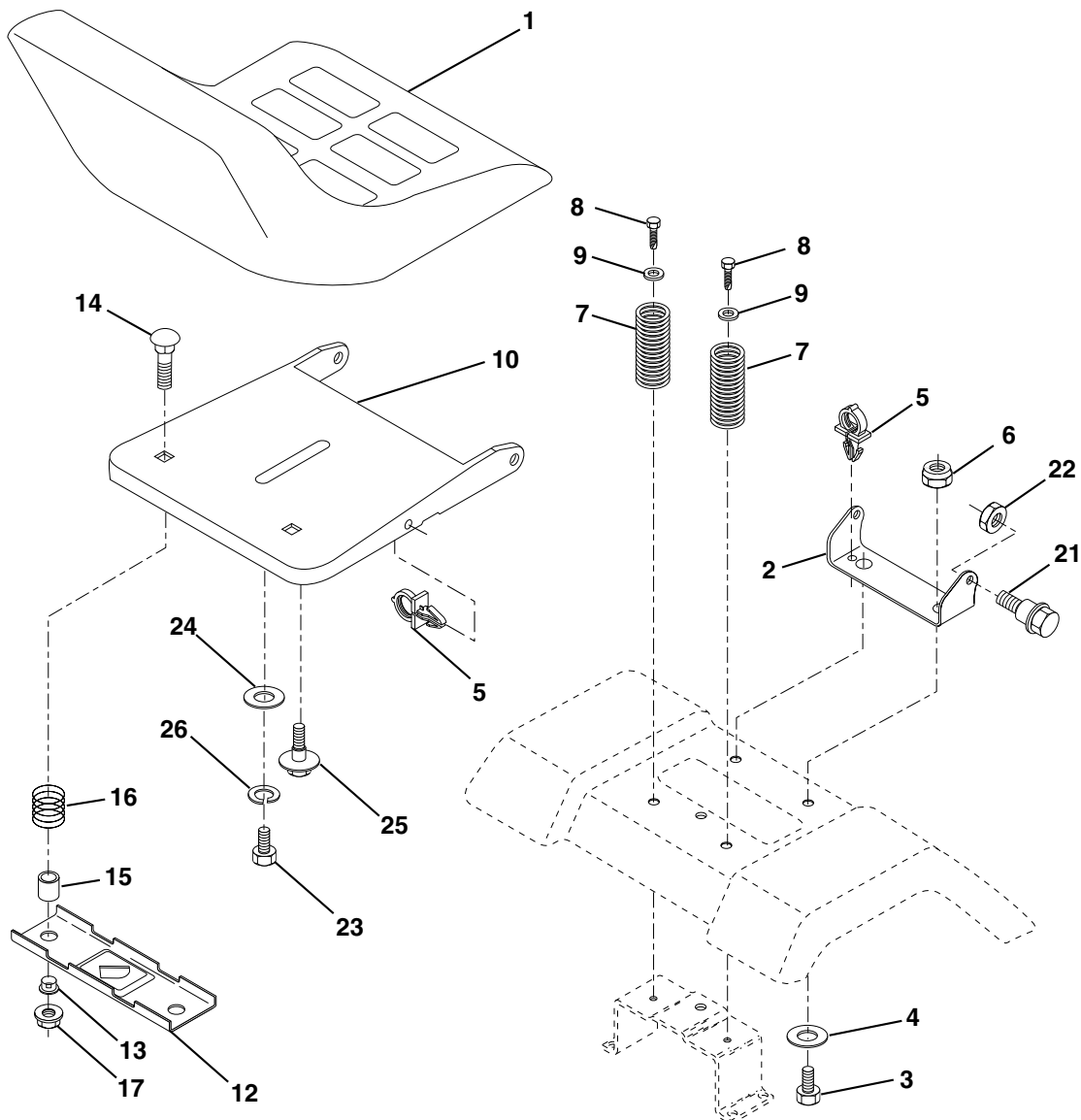
KEY NO.	PART NO.	DESCRIPTION
1	532170865	Control Th/ch LH Flag
2	817720410	Screw Hex Thd Cut 1/4-20x5/8 T
3	-----	Engine B&S Model No. 28R707 (Order parts from engine manufacturer)
4	532137348	Muffler
13	532165291	Gasket
14	532148456	Tube Drain Oil Easy
16	811050600	Washer Lock Ext Tooth 3/8
23	532169837	Shield Brn/Dbr Guard
29	532137180	Kit Spark Arrestor (Flat Scrn)
31	532109202	Tank Fuel Front
32	532140527	Cap Asm Fuel W/sym Vented
33	532123487	Clamp Hose Black
37	532137040	Line Fuel 20"
38	532148315	Plug Drain Oil Easy
40	532124028	Bushing Snap Nyl Blk Fuel Line
44	817670412	Screw Hexwsh Thdrol 1/4-20x3/4
45	817000612	Screw 3/8-16 x 3/4
46	819091416	Washer 9/32 X 7/8 X 16 Ga
62	810040500	Washer Lock Hvy Hlcl Spr 5/16
66	532127951	Stop Throttle 3000 RPM
72	871070512	Screw Hexhd Cap 5/16-18 x 3/4
78	817060620	Screw 3/8-16 x 1-1/4 SMGML
81	873510400	Nut Keps Hex 1/4-20

NOTE: All component dimensions given in U.S. inches
1 inch = 25.4 mm

REPAIR PARTS

TRACTOR - MODEL NO. LT13 (JLT13A), PRODUCT NO. 954 13 00-45

SEAT ASSEMBLY



KEY NO.	PART NO.	DESCRIPTION
1	532140116	Seat
2	532140551	Bracket Pivot Seat 8 720
3	871110616	Bolt Fin Hex 3/8-16 Unc x 1
4	819131610	Washer 13/32 X 1 X 10 Ga
5	532145006	Clip Push-In
6	873800600	Nut Hex w/Ins. 3/8-16 Unc
7	532124181	Spring Seat Cprsn 2 250 Blk Zi
8	817000616	Screw 3/8-16 x 1.5 SMGML
9	819131614	Washer 13/32 X 1 X 14 Ga.
10	532174894	Pan Seat
12	532121246	Bracket Mounting Switch
13	532121248	Bushing Snap Blk Nyl 50 Id

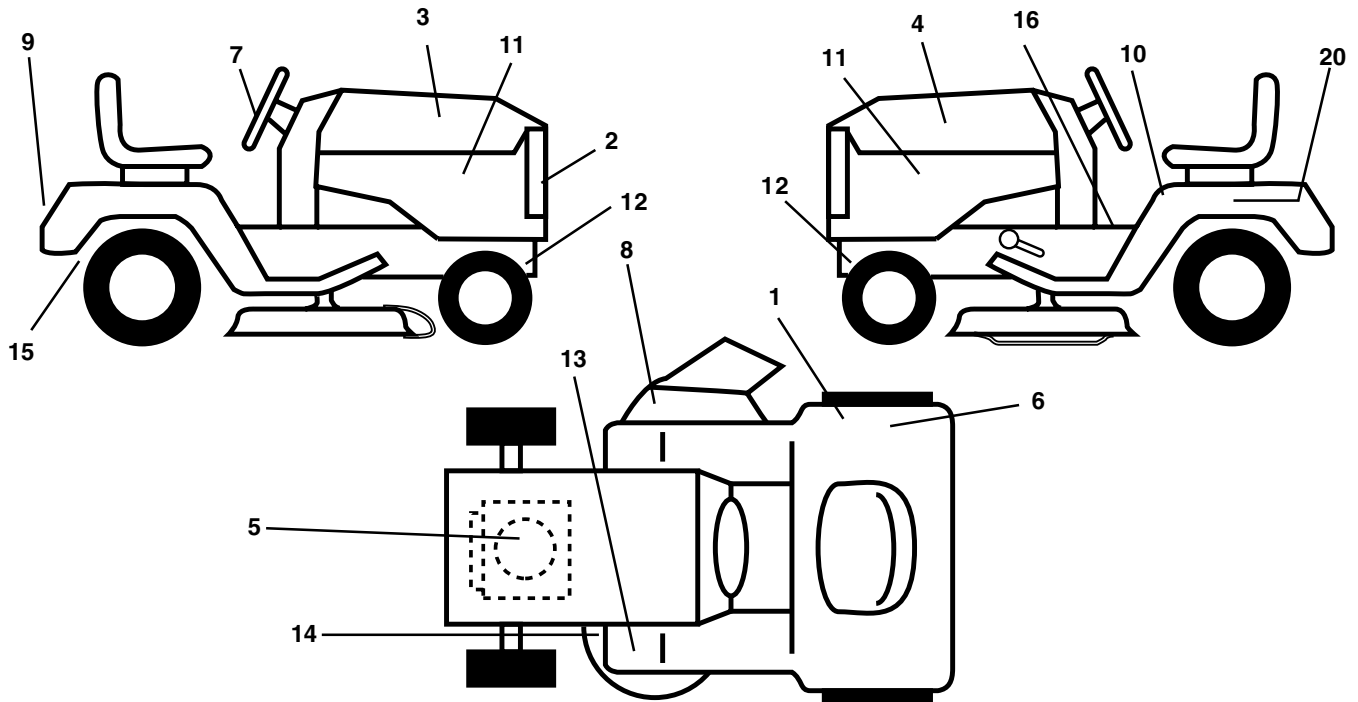
KEY NO.	PART NO.	DESCRIPTION
14	872050412	Bolt Rdhd Sqnk 1/4-20x1-1/2
15	532134300	Spacer Split 28x96 Yel Zinc
16	532121250	Spring Cprsn 1.27 Blk Pnt
17	532123976	Nut Lock 1/4 Lge Flg Gr 5 Zinc
21	532171852	Bolt SHLD 5/16-18 Unc-2A
22	873800500	Nut Hex Lock W/Ins 5/16-18
23	871110814	Bolt Hex
24	819171912	Washer 17/32 X 1-3/16 X 12 Ga.
25	532127018	Bolt Shoulder 5/16-18 X 62
26	810040800	Washer Lock Hvy HLCL Spr. 1/2

NOTE: All component dimensions given in U.S. inches.
1 inch = 25.4 mm

REPAIR PARTS

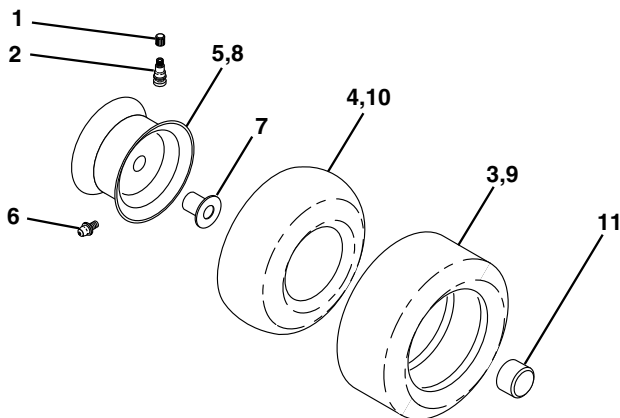
TRACTOR - MODEL NO. LT13 (JLT13A), PRODUCT NO. 954 13 00-45

DECALS



KEY NO.	PART NO.	DESCRIPTION	KEY NO.	PART NO.	DESCRIPTION
1	532126187	Decal 100 DBA	12	532159736	Decal Chassis Hot Muffler
2	532152262	Decal Grille	13	532159737	Decal Brake/Clutch Symbol LT
3	532170598	Decal Hood RH	14	532136832	Decal V-Belt Schematic
4	532170599	Decal Hood LH	15	532162598	Decal Drawbar Load Limit
5	532170848	Decal HP Engine	16	532140837	Decal Saddle Brake Parking
6	532145437	Decal Europe Stand CE	20	532145005	Decal Bat Dan/Psn
7	532175884	Decal, Ins. Strg Whl.	--	532171284	Pad Footrest LH STLT
8	532145494	Decal Mower Cutfinger	--	532171285	Pad Footrest RH STLT
9	532141761	Decal Fender Jonsered	--	532138311	Decal Handle Lift Height Adjust
10	532145498	Decal Read Owner's Manual Syms.	--	532176379	Manual Operator's (Euro.)
11	532162927	Decal Hood Insert B&S White	--	532176380	Manual Operator's (Scan.)

WHEELS & TIRES



KEY NO.	PART NO.	DESCRIPTION
1	532059192	Cap Valve Tire
2	532065139	Stem Valve
3	532106222	Tire F Ts 15 X 6 0 - 6 Service
4	532059904	Tube Front (Service Item Only)
5	532138336	Rim Asm 6"front Silver Service
6	532124957	Fitting Grease (Front Wheel Only)
7	532124959	Bearing Flange (Front Wheel Only)
8	532138337	Rim Asm 8"rear Silver Service
9	532124635	Tire R Ts 18x9 5-8 C Service
10	532124926	Tube Rear (Service Item Only)
11	532175039	Cap Axle Blk 1 50 X 1 00
--	532144334	Sealant, Tire (10 oz. Tube)

NOTE: All component dimensions given in U.S. inches
1 inch = 25.4 mm

REPAIR PARTS

TRACTOR - MODEL NO. LT13 (JLT13A), PRODUCT NO. 954 13 00-45

MOWER DECK

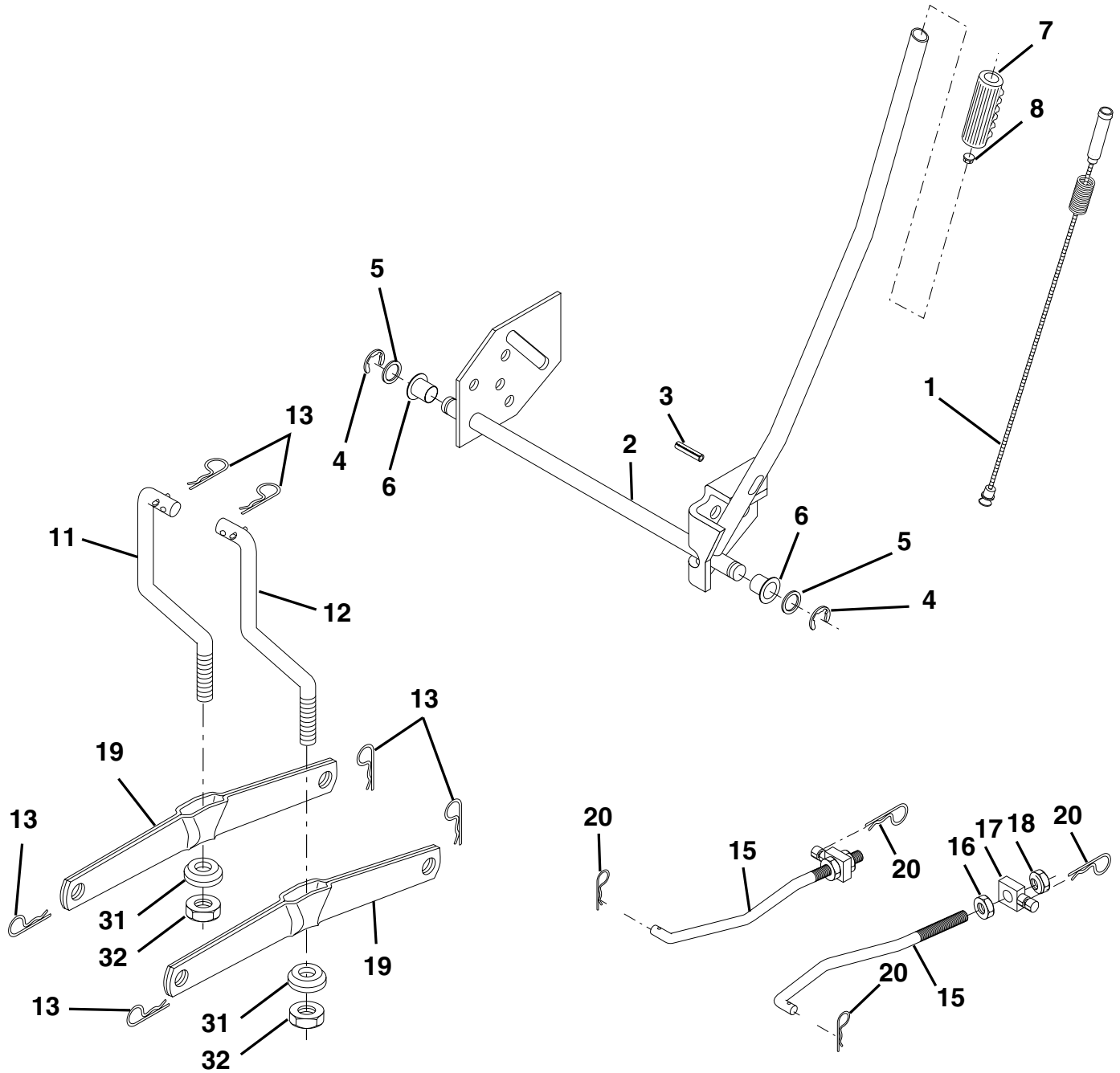
KEY NO.	PART NO.	DESCRIPTION	KEY NO.	PART NO.	DESCRIPTION
1	532174595	Mower Deck Assembly	55	532133840	Idler Arm Assembly
2	872140506	Bolt	56	532165723	Spacer, Retainer
3	532138017	Bracket Assembly, Sway Bar	67	532106932	Knob RD 3/8-16 Plstc Thd
4	532175654	Bracket Sway Bar	68	532174978	Belt
5	532124670	Retainer Spring	69	876020312	Pin, Cotter 3/32 x 3/4
6	532130832	Arm, Suspension, Rear	89	819131612	Washer 13/32 x 1 x 12 Ga
7	532140608	Keeper Belt	107	532133502	Spacer, Retainer
8	532850857	Bolt, Hex 3/8-24 x 1.25 Gr. 8	108	532133503	Stiffener, Idler Arm
9	810030600	Washer, Lock Hvy Hlcl 3/8	113	817490508	Screw Thdrol 5/16-18 x 1/2
10	532140296	Washer, Hardened	122	532174505	Rod, Brake, LH
11	532138496	Blade, Mower	123	532174504	Rod, Brake, RH
13	532137645	Shaft Assembly, Mandrel, Vented (Includes Key #12)	146	532165891	Bolt Carriage Idler
14	532128774	Housing, Mandrel, Vented	148	532169022	Spring Return Idler
15	532110485	Bearing, Ball, Mandrel	149	532165898	Retainer Spring Yellow Zinc
16	532140329	Stripper, Vented Mower Deck	150	819091216	Washer 9/32 x 3/4 x 16 Ga.
19	532132827	Bolt, Shoulder	151	532169670	Bracket Clutch
21	873680500	Nut Crownlock 5/16-18	152	532176079	Cable Clutch
23	532136631	Bracket, Mower Deflector	153	532169674	Washer Flat 3/8" Type B
24	532105304	Cap, Sleeve	154	532169675	Spring Retainer
25	532123713	Spring, Torsion, Deflector	155	532169671	Spring Retention Lever
26	532110452	Nut, Push	156	532169672	Spacer
27	532176162	Shield, Deflector	157	532169669	Rod Clutch
28	819111016	Washer 11/32 x 5/8 x 16 Ga.	158	817720410	Screw Hex Thd Cut 1/4-20x5/8
29	532121980	Rod, Hinge	164	532174976	Bracket Asm Idler Support
30	532157722	Screw Thdrol Washer Head	168	532172377	Bracket Deck Cable
31	532129963	Washer, Spacer	169	532174977	Bracket Asm Suspension
32	532153531	Pulley, Mandrel	170	532172359	Bracket Suspension RF
33	532137266	Nut, Toplock, Flanged	171	532165237	Brace Support Susp. Frt
34	872110614	Bolt Rdhd 3/8-16 x 1-3/4	172	532172355	Bracket Suspension LF
36	532131494	Pulley, Idler, Flat	--	532130794	Mandrel Assembly (Includes Key Numbers 12-15, 17-19, 31 and 33)
40	873680600	Nut Crownlock 3/8-16	--	532175254	Mower Deck, Complete
45	532124788	Retainer, Spring			
53	532130840	Brake Assembly			
54	532133943	Washer, Hardened			

NOTE: All component dimensions given in U.S. inches
1 inch = 25.4 mm

REPAIR PARTS

TRACTOR - MODEL NO. LT13 (JLT13A), PRODUCT NO. 954 13 00-45

MOWER LIFT



REPAIR PARTS

TRACTOR - MODEL NO. LT13 (JLT13A), PRODUCT NO. 954 13 00-45

MOWER LIFT

KEY NO.	PART NO.	DESCRIPTION
1	532159460	Washer Asm Inner Spring W/Plunger
2	532159471	Shaft Asm. Lift
3	532105767	Pin Groove
4	812000002	E Ring #5133-62
5	819211621	Washer 21/32 x 1 x 21 Ga
6	532120183	Bearing Nylon
7	532109413	Grip Handle
8	532124526	Button Plunger
11	532139865	Link Lift LH
12	532139866	Link Lift RH
13	532124670	Retainer Spring
15	532173288	Link Front
16	873350800	Nut Jam Hex 1/2-13 Unc
17	532130171	Trunnion Blk Zinc
18	873800800	Nut Lock W/Wsh 1/2-13 Unc
19	532139868	Arm Suspension Mower
20	532163552	Retainer Spring
31	532169865	Bearing Pvt. Lift
32	873540600	Nut Crownlock 3/8-24

NOTE: All component dimensions given in U.S. inches
1 inch = 25.4 mm

REPAIR PARTS

TRACTOR - MODEL NO. LT13 (JLT13A), PRODUCT NO. 954 13 00-45

SCHEMATIC

