

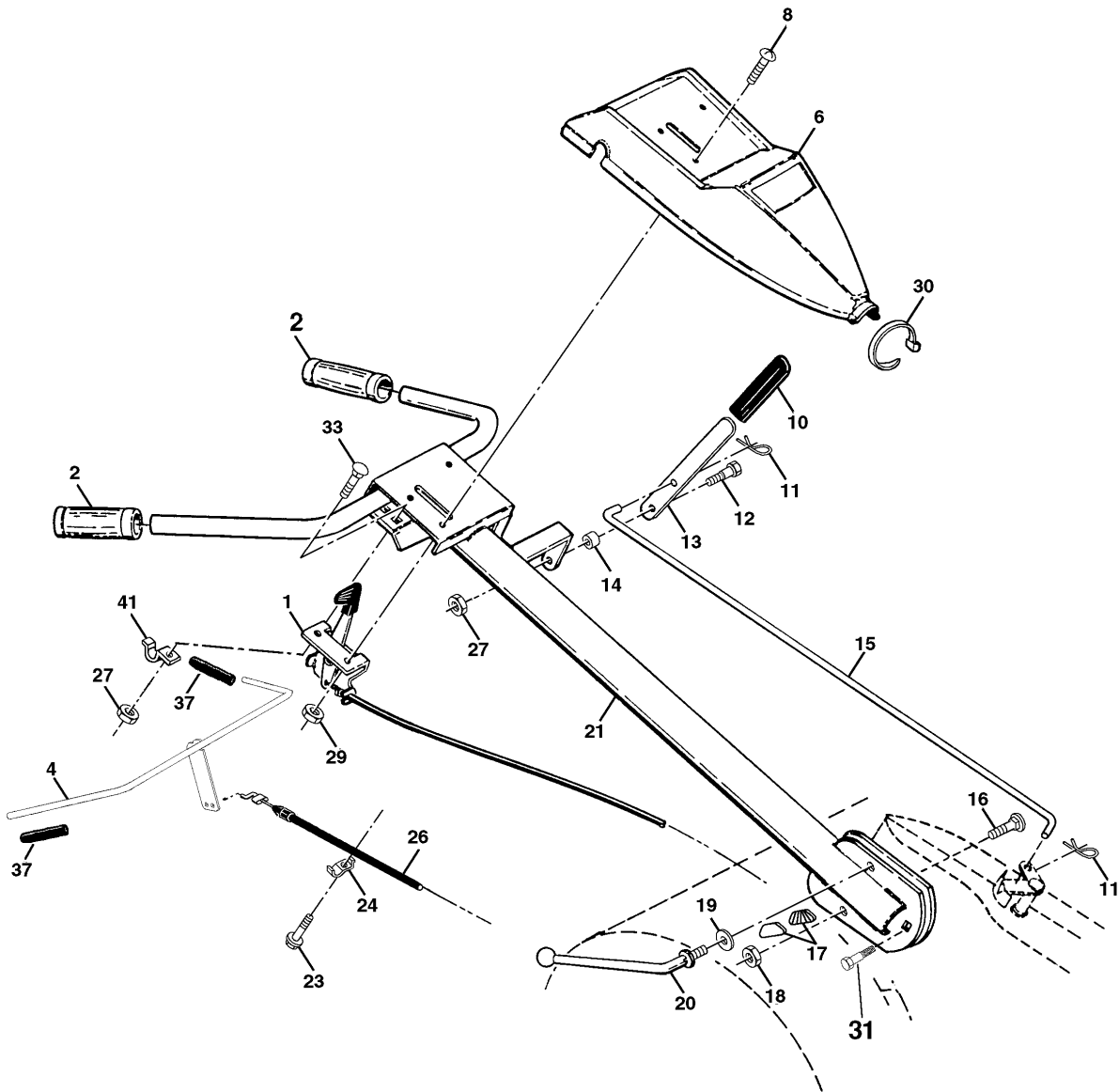
# RT5

Spare parts  
Ersatzteile  
Pièces détachées  
Reserve onderdelen  
Repuestos  
Reservdelar

# REPAIR PARTS

## TILLER - - MODEL NUMBER RT5 (JRT5Q)

### HANDLE ASSEMBLY



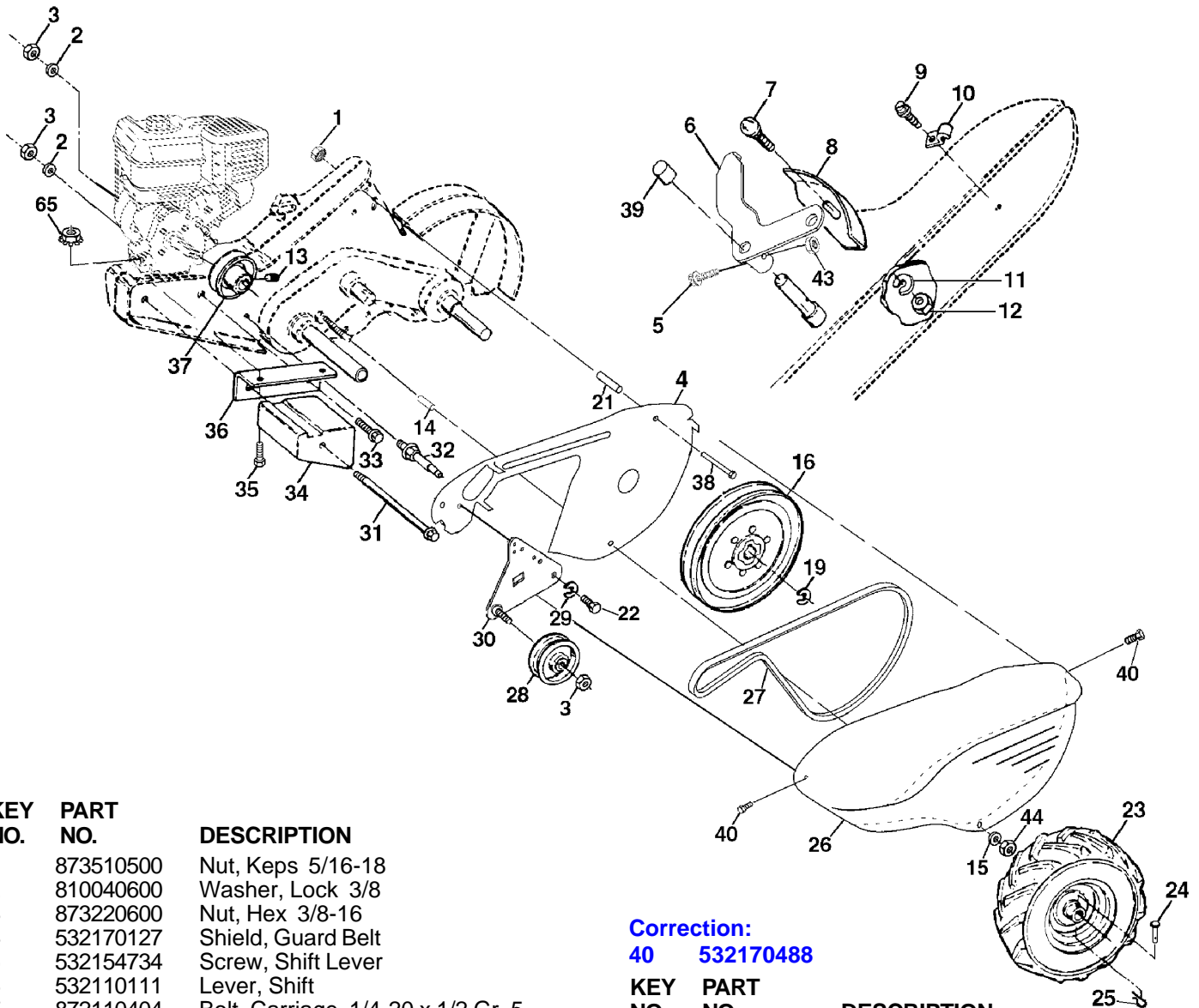
| KEY NO. | PART NO.  | DESCRIPTION                       | KEY NO. | PART NO.  | DESCRIPTION                     |
|---------|-----------|-----------------------------------|---------|-----------|---------------------------------|
| 1       | 532175250 | Control, Throttle                 | 20      | 532109228 | Lever, Lock, Handle             |
| 2       | 532009266 | Grip, Handle                      | 21      | 532154106 | Handle                          |
| 4       | 532159228 | Bar Assembly, Control             | 23      | 532086777 | Screw Hex Wsh Slit #10-24 x .50 |
| 6       | 532126951 | Panel, Control                    | 24      | 532009484 | Clip                            |
| 8       | 871191008 | Screw, Truss Hd. #10-24 UNC x 1/2 | 26      | 532159231 | Cable, Clutch                   |
| 10      | 532124797 | Grip, Handle                      | 27      | 873900400 | Nut Hex Flange 1/4-20 UNC       |
| 11      | 532124788 | Clip, Hairpin                     | 29      | 873731000 | Nut, Keps #10-24 UNC            |
| 12      | 532081328 | Bolt, Shoulder                    | 30      | 532104164 | Tie, Cable                      |
| 13      | 532109335 | Handle, Shift                     | 31      | 532150696 | Bolt, Pivot                     |
| 14      | 532109313 | Grommet, Rubber                   | 33      | 872140404 | Bolt, Carriage 1/4-20 UNC x 1/2 |
| 15      | 532109337 | Rod, Shift                        | 37      | 532102604 | Grip, Bar, Control              |
| 16      | 872110608 | Bolt, Carriage 3/8-16 x 1 Gr. 5   | 41      | 532102744 | Clamp, Bar, Control             |
| 17      | 532109229 | Lock, Handle                      |         |           |                                 |
| 18      | 873680600 | Nut Crownlock 3/8-16 UNC          |         |           |                                 |
| 19      | 819131611 | Washer 13/32 x 1 x 11 Ga.         |         |           |                                 |

**NOTE:** All component dimensions given in U.S. inches.  
1 inch = 25.4 mm

# REPAIR PARTS

## TILLER - - MODEL NUMBER RT5 (JRT5Q)

### MAINFRAME, LEFT SIDE



| KEY NO. | PART NO.         | DESCRIPTION                                   |
|---------|------------------|-----------------------------------------------|
| 1       | 873510500        | Nut, Keps 5/16-18                             |
| 2       | 810040600        | Washer, Lock 3/8                              |
| 3       | 873220600        | Nut, Hex 3/8-16                               |
| 4       | 532170127        | Shield, Guard Belt                            |
| 5       | 532154734        | Screw, Shift Lever                            |
| 6       | 532110111        | Lever, Shift                                  |
| 7       | 872110404        | Bolt, Carriage 1/4-20 x 1/2 Gr. 5             |
| 8       | 532008700        | Plate, Shift Indicator                        |
| 9       | <b>532086777</b> | Screw, Hex, Washer Head, Slotted #10-24 x 1/2 |
| 10      | 532009484        | Clip                                          |
| 11      | 810040400        | Washer, Lock 1/4                              |
| 12      | 873220400        | Nut, Hex 1/4-20                               |
| 13      | 823230506        | Screw, Set, Hex 5/16-18 x 3/8                 |
| 14      | 532156117        | Spacer, Split 0.327 x 0.42 x 1.220            |
| 15      | 819111116        | Washer 11/32 x 11/16 x 16 Ga.                 |
| 16      | 532145102        | Sheave, Transmission                          |
| 19      | 812000028        | Ring, Retainer                                |
| 21      | 532110652        | Spacer, Split 0.327 x 0.42 x 2.09             |
| 22      | 874770508        | Bolt, Fin Hex 5/16-24 x 1/2                   |
| 23      | 532005015        | Tire                                          |
|         | 532124366        | Rim                                           |
|         | 532124718        | Tire Valve                                    |
| 24      | 532126875        | Rivet, Drilled                                |
| 25      | 532124788        | Clip, Hairpin                                 |

**Correction:**  
**40 532170488**

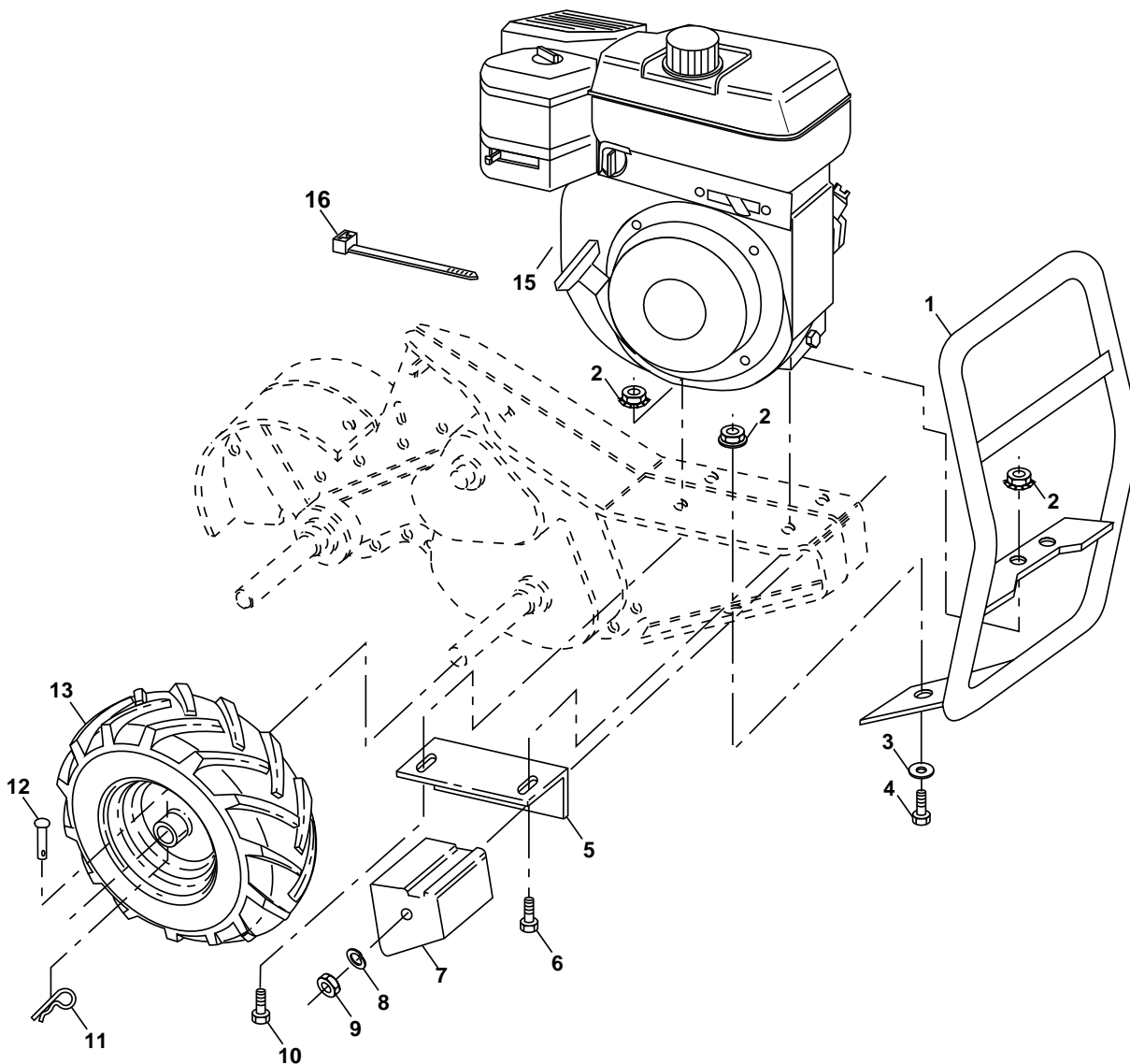
| KEY NO. | PART NO.         | DESCRIPTION                     |
|---------|------------------|---------------------------------|
| 26      | 532167488        | Guard, Belt                     |
| 27      | 532132801        | Belt, V                         |
| 28      | 532104679        | Pulley, Idler                   |
| 29      | 812000032        | Ring, Klip                      |
| 30      | 532159229        | Bracket, Idler                  |
| 31      | 532102384        | Bolt, Hex 5/16-16 x 12          |
| 32      | 532102141        | Shaft, Idler Arm                |
| 33      | 874760616        | Bolt, Hex 3/8-16 x 1            |
| 34      | 532102383        | Counterweight, L. H.            |
| 35      | 874760532        | Bolt, Hex 5/16-18 x 2           |
| 36      | 532102331        | Bracket, Reinforcement, L. H.   |
| 37      | 532130812        | Sheave, Engine                  |
| 38      | 874760544        | Bolt, Fin Hex 5/16-18 x 2-3/4   |
| 39      | 532140062        | Cap Plunger                     |
| 40      | <b>532140788</b> | Screw Hex Wsh Slit #10-24 x .50 |
| 43      | 532069180        | Nut, Lock #10-24                |
| 44      | 873800400        | Nut Lock 5/16-18 UNC            |
| 65      | <b>873970500</b> | Nut Lock Hex Flange             |

**NOTE:** All component dimensions given in U.S. inches.  
 1 inch = 25.4 mm

# REPAIR PARTS

## TILLER - - MODEL NUMBER RT5 (JRT5Q)

### MAINFRAME, RIGHT SIDE



| KEY NO. | PART NO.  | DESCRIPTION                   |
|---------|-----------|-------------------------------|
| 1       | 532166532 | Bumper                        |
| 2       | 873970500 | Nut, Lock Hex Flange          |
| 3       | 819111116 | Washer 11/32 x 11/16 x 16 Ga. |
| 4       | 874760512 | Bolt Hex Hd 5/16-18 x 3/4     |
| 5       | 532102332 | Bracket, Reinforcement        |
| 6       | 874760532 | Bolt, Hex 5/16-18 x 2         |
| 7       | 532102173 | Counter Weight, R.H.          |
| 8       | 810040600 | Washer, Lock 3/8              |
| 9       | 873220600 | Nut, Hex 3/8-16               |
| 10      | 874760524 | Bolt, Hex 5/16-18 x 1-1/2     |
| 11      | 532124788 | Clip, Hairpin                 |
| 12      | 532126875 | Rivet, Drilled                |

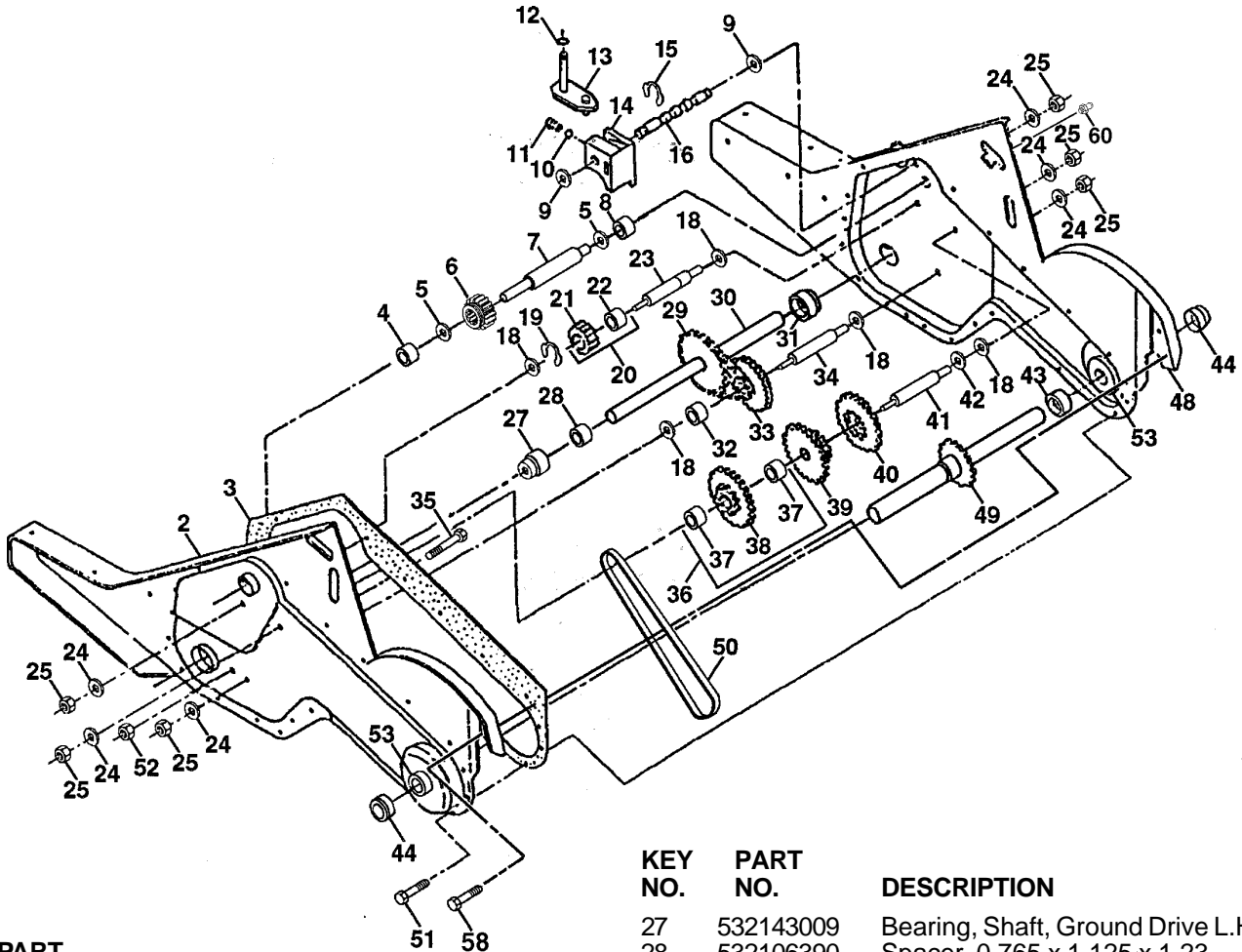
| KEY NO. | PART NO.         | DESCRIPTION                                                                                      |
|---------|------------------|--------------------------------------------------------------------------------------------------|
| 13      | 532005015        | Tire                                                                                             |
|         | 532124366        | Rim                                                                                              |
|         | 532124718        | Tire Valve                                                                                       |
| 15      | -----            | Engine, Briggs & Stratton<br>Model No. <b>110402</b><br>(Oder parts from engine<br>manufacturer) |
| 16      | <b>532124756</b> | Tie, Cable                                                                                       |

**NOTE:** All component dimensions given in U.S.inches.  
1 inch = 25.4 mm

# REPAIR PARTS

## TILLER - - MODEL NUMBER RT5 (JRT5Q)

### TRANSMISSION



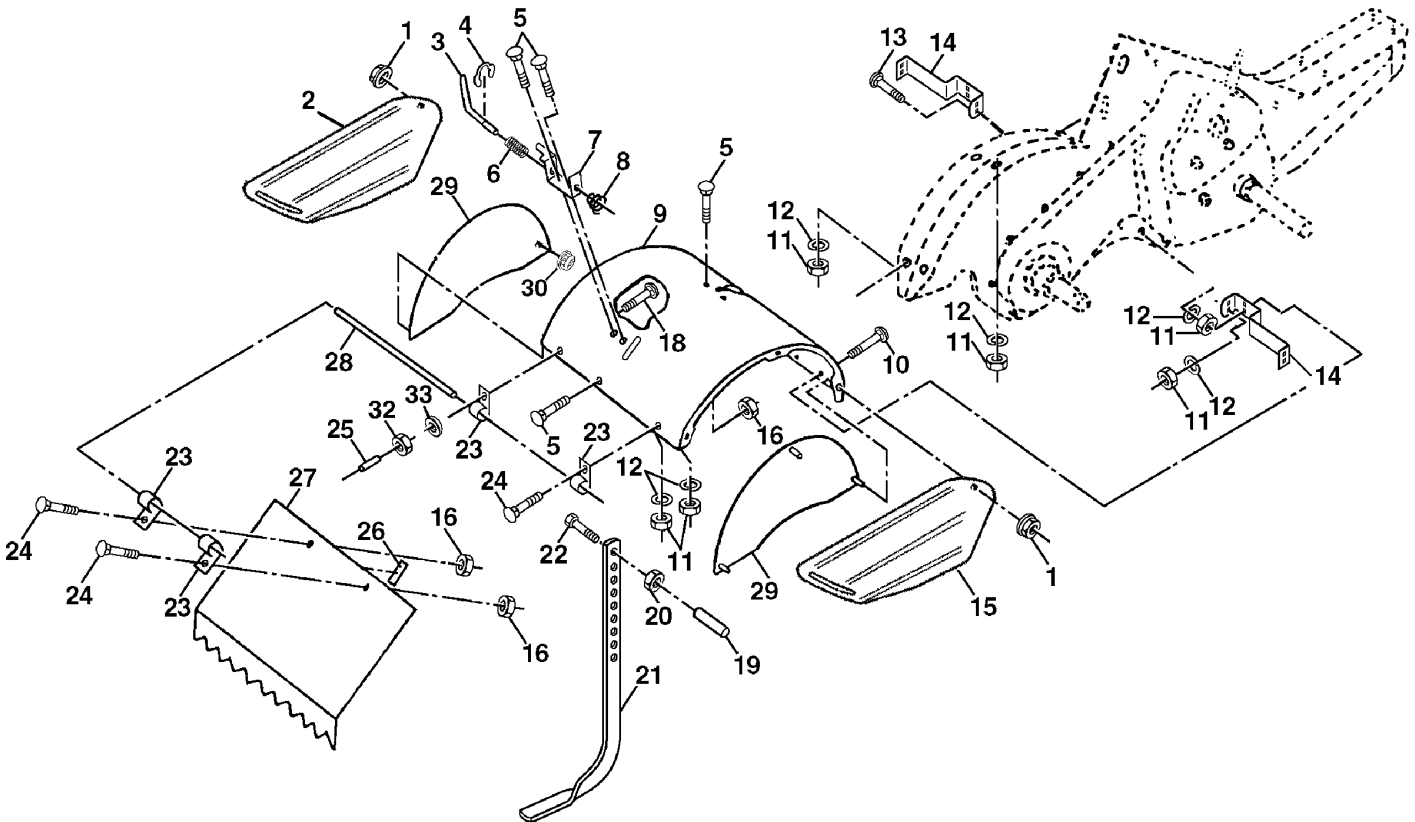
| KEY NO. | PART NO.  | DESCRIPTION                                                 | KEY NO. | PART NO.  | DESCRIPTION                                               |
|---------|-----------|-------------------------------------------------------------|---------|-----------|-----------------------------------------------------------|
| 1       | 532170337 | Transmission Assembly (Includes Key Nos. 2-53)              | 27      | 532143009 | Bearing, Shaft, Ground Drive L.H.                         |
| 2       | 532165729 | Gearcase, L.H. w/Bearing (Includes Key No. 4)               | 28      | 532106390 | Spacer 0.765 x 1.125 x 1.23                               |
| 3       | 532161963 | Gasket, Gearcase                                            | 29      | 532102134 | Chain #35-50 Pitch                                        |
| 4       | 532005020 | Bearing, Needle                                             | 30      | 532150737 | Ground Shaft Assembly                                     |
| 5       | 532001370 | Washer, Thrust 5/8 x 1.10 x 1/32                            | 31      | 532143008 | Bearing, Shaft, Ground Drive R.H.                         |
| 6       | 532137335 | Pinion, Input                                               | 32      | 532106388 | Spacer 0.70 x 1.00 x 1.150                                |
| 7       | 532145101 | Shaft, Input                                                | 33      | 532102121 | Sprocket and Gear Assembly                                |
| 8       | 532124792 | Bearing, Needle                                             | 34      | 532102112 | Shaft, Reduction (2nd)                                    |
| 9       | 532154467 | Washer, Seal                                                | 35      | 532102101 | Screw, Whiz, Lock 5/16-18 x 3-1/2                         |
| 10      | 532124697 | Ball, Steel                                                 | 36      | 532154355 | Sprocket Assembly w/Bearing (Includes Key Nos. 37 and 38) |
| 11      | 532100371 | Spring, Shift, Fork                                         | 37      | 532124791 | Bearing, Needle                                           |
| 12      | 532106160 | O-Ring                                                      | 38      | 532154356 | Sprocket, Tine                                            |
| 13      | 532142145 | Bracket, Asm. Shift CRT                                     | 39      | 532105345 | Gear, Cluster, Red 1st & 2nd                              |
| 14      | 532008353 | Fork, Shift                                                 | 40      | 532105346 | Gear, Reverse                                             |
| 15      | 812000039 | Ring, Klip                                                  | 41      | 532008358 | Shaft, Reduction (1st)                                    |
| 16      | 532154466 | Shaft, Shift                                                | 42      | 532004220 | Washer, Thrust                                            |
| 18      | 532004358 | Washer                                                      | 43      | 532106146 | Spacer 1.01 x 1.75 x 0.760                                |
| 19      | 812000040 | Ring, Klip                                                  | 44      | 532155236 | Seal, Asm Oil                                             |
| 20      | 532102114 | Gear, Assembly, Reverse Idler (Includes Key Nos. 21 and 22) | 48      | 532170338 | Gearcase, R.H. w/Bearing (Includes Key No. 8)             |
| 21      | 532102115 | Gear, Reverse Idler                                         | 49      | 532132688 | Shaft, Tine                                               |
| 22      | 532006803 | Bearing, Needle                                             | 50      | 532106147 | Chain, Roller #50-50 Pitch                                |
| 23      | 532102111 | Shaft, Reverse Idler                                        | 51      | 817720408 | Screw, Thd Cut 1/4-20 x 1/2                               |
| 24      | 810040700 | Washer, Lock 7/16                                           | 52      | 873220500 | Nut, Hex 5/16-18                                          |
| 25      | 873610700 | Nut, Hex 7/16-20                                            | 53      | 532165140 | Kit Bearing                                               |
|         |           |                                                             | 54      | 817720412 | Screw, Thd Cut 1/4-20 x 3/4                               |
|         |           |                                                             | 60      | 532006855 | Fitting Grease                                            |
|         |           |                                                             | --      | 532006066 | Grease, Plastilube #1                                     |

**NOTE:** All component dimensions given in U.S. inches.  
1 inch = 25.4 mm

# REPAIR PARTS

## TILLER - - MODEL NUMBER RT5 (JRT5Q)

### TINE SHIELD



| KEY NO. | PART NO.  | DESCRIPTION                         |
|---------|-----------|-------------------------------------|
| 1       | 873900500 | Nut, Flange 5/16-18                 |
| 2       | 532164062 | Shield, Side, Outer L. H.           |
| 3       | 532008393 | Pin, Stake, Depth                   |
| 4       | 812000036 | Ring, Klip                          |
| 5       | 872140506 | Bolt, Carriage 5/16-18 x 3/4 Gr 5   |
| 6       | 532008394 | Spring                              |
| 7       | 532008392 | Bracket, Latch                      |
| 8       | 532109230 | Spring, Depth Stake                 |
| 9       | 532142036 | Shield, Tine                        |
| 10      | 872140508 | Bolt, Carriage 5/16-18 x 1          |
| 11      | 873220500 | Nut, Hex 5/16-18                    |
| 12      | 810040500 | Washer, Lock 5/16                   |
| 13      | 872110510 | Bolt, Carriage 5/16-18 x 1-1/4      |
| 14      | 532124311 | Bracket, Shield Tine                |
| 15      | 532164061 | Shield, Side, Outer R.H.            |
| 16      | 873900400 | Nut Hex Flange 1/4-20               |
| 18      | 872040410 | Bolt, Carriage 1/4-20 x 1-1/4 Gr. 5 |

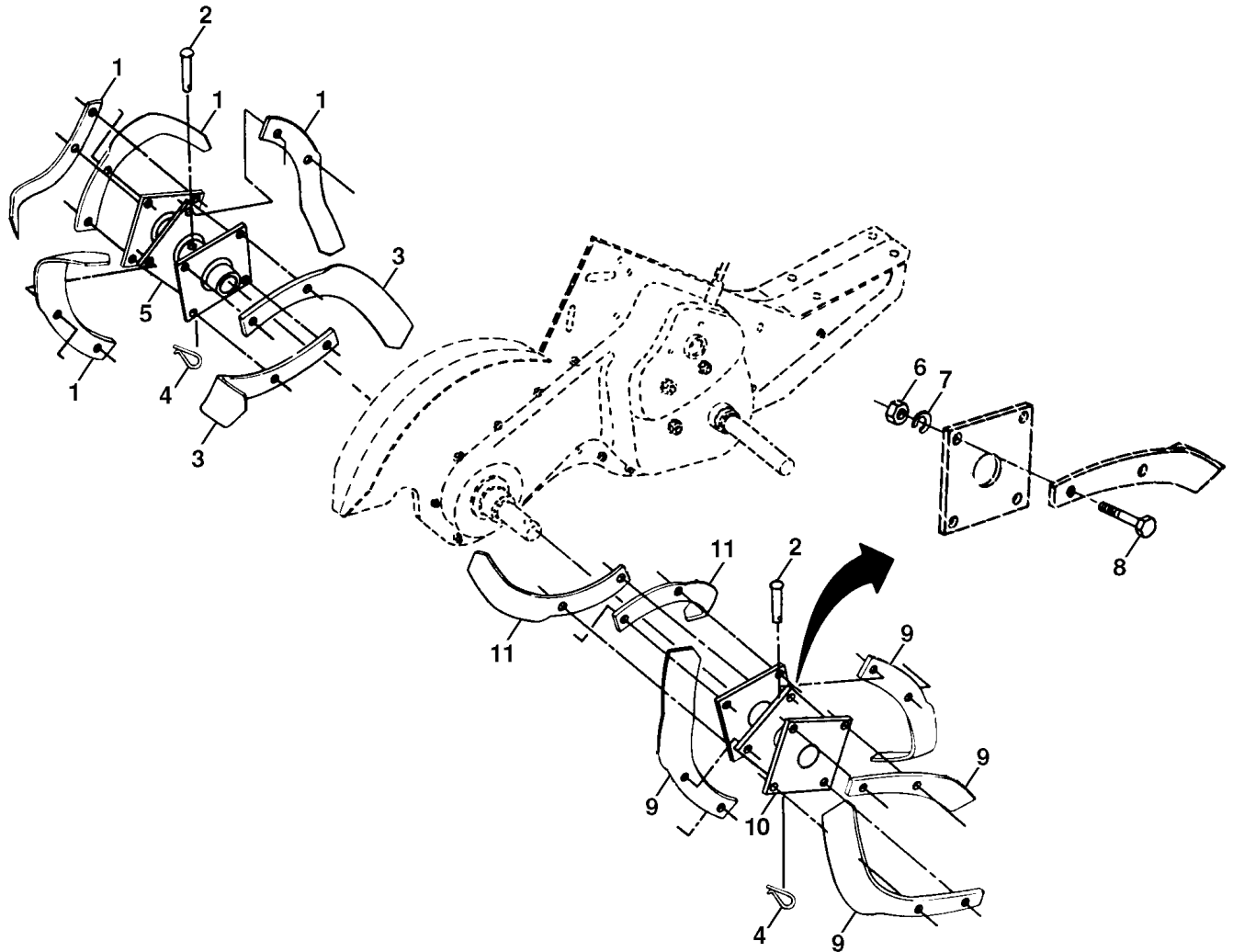
| KEY NO. | PART NO.  | DESCRIPTION                       |
|---------|-----------|-----------------------------------|
| 19      | 532102701 | Grip                              |
| 20      | 873220600 | Nut, Hex 3/8-16                   |
| 21      | 532102156 | Stake, Depth                      |
| 22      | 874930632 | Bolt, Hex 3/8-16 x 2              |
| 23      | 532004440 | Hinge                             |
| 24      | 872140404 | Bolt, Carriage 1/4-20 x 1/2 Gr. 5 |
| 25      | 532124717 | Cap, Vinyl                        |
| 26      | 532109227 | Pad, Idler                        |
| 27      | 532125410 | Shield, Leveling                  |
| 28      | 532120588 | Pin, Hinge                        |
| 29      | 532142037 | Shield, Side                      |
| 30      | 873970500 | Nut, Lock Hx Flange               |
| 32      | 873220400 | Nut Fin Hex 1/4-20 UNC            |
| 33      | 810040400 | Washer Lock Hvy Hcl 1/4           |

**NOTE:** All component dimensions given in U.S. inches.  
1 inch = 25.4 mm

# REPAIR PARTS

## TILLER - - MODEL NUMBER RT5 (JRT5Q)

### TINE ASSEMBLY



| KEY NO. | PART NO.  | DESCRIPTION                   |
|---------|-----------|-------------------------------|
| 1       | 532004459 | Tine, Outer, L.H.             |
| 2       | 532132673 | Clevis Pin                    |
| 3       | 532006554 | Tine, Inner, L.H.             |
| 4       | 532124660 | Retainer Spring               |
| 5       | 532132727 | Assembly, Hub and Plate, L.H. |
| 6       | 873610600 | Nut, Hex 3/8-24               |
| 7       | 810040600 | Washer, Lock 3/8              |

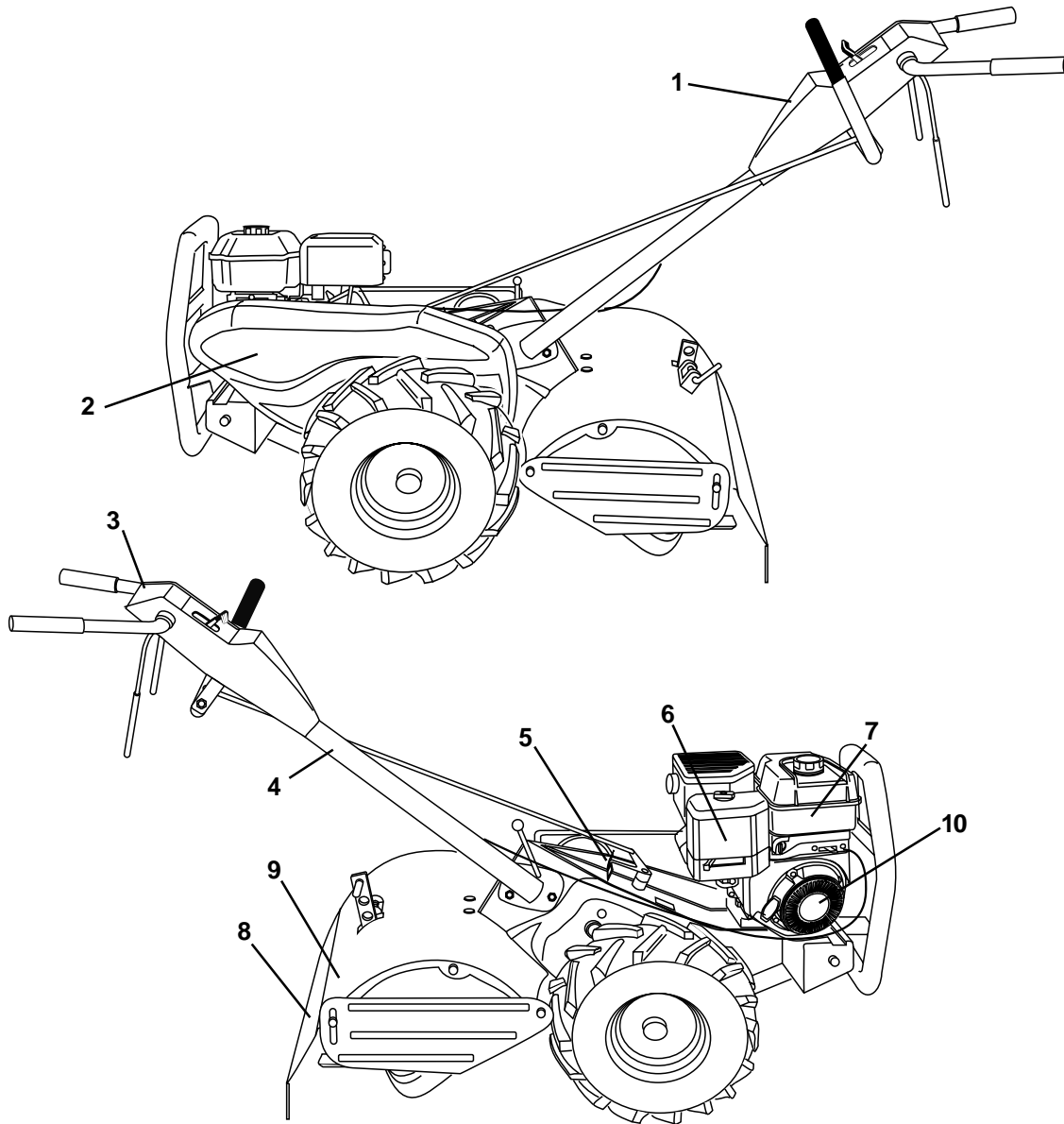
| KEY NO. | PART NO.  | DESCRIPTION                   |
|---------|-----------|-------------------------------|
| 8       | 874610616 | Bolt, Hex 3/8-24 x 1          |
| 9       | 532004460 | Tine, Outer, R.H.             |
| 10      | 532132728 | Assembly, Hub and Plate, R.H. |
| 11      | 532006555 | Tine, Inner, R.H.             |

**NOTE:** All component dimensions given in U.S. inches.  
1 inch = 25.4 mm

# REPAIR PARTS

## TILLER - - MODEL NUMBER RT5 (JRT5Q)

### DECALS



| KEY NO. | PART NO.         | DESCRIPTION                    |
|---------|------------------|--------------------------------|
| 1       | 532141946        | Decal, Logo                    |
| 2       | 532170754        | Decal, Belt Guard              |
| 3       | 532136945        | Decal, Instruction, Tilling    |
| 4       | 532159877        | Decal, Hand Placement          |
| 5       | 532102180        | Decal, Shift Indicator         |
| 6       | <b>532175643</b> | Decal, Caution                 |
| 7       | <b>532171077</b> | Decal 5 HP                     |
| 8       | <b>532176557</b> | Decal, Warning, Rotating Tines |
| 9       | 532145437        | Decal, Europe Stand CE         |
| 10      | <b>532171078</b> | Decal Recoil                   |
| --      | <b>532175657</b> | Manual, Operator's (Euro.)     |
| --      | <b>532175658</b> | Manual, Operator's (Scan.)     |