

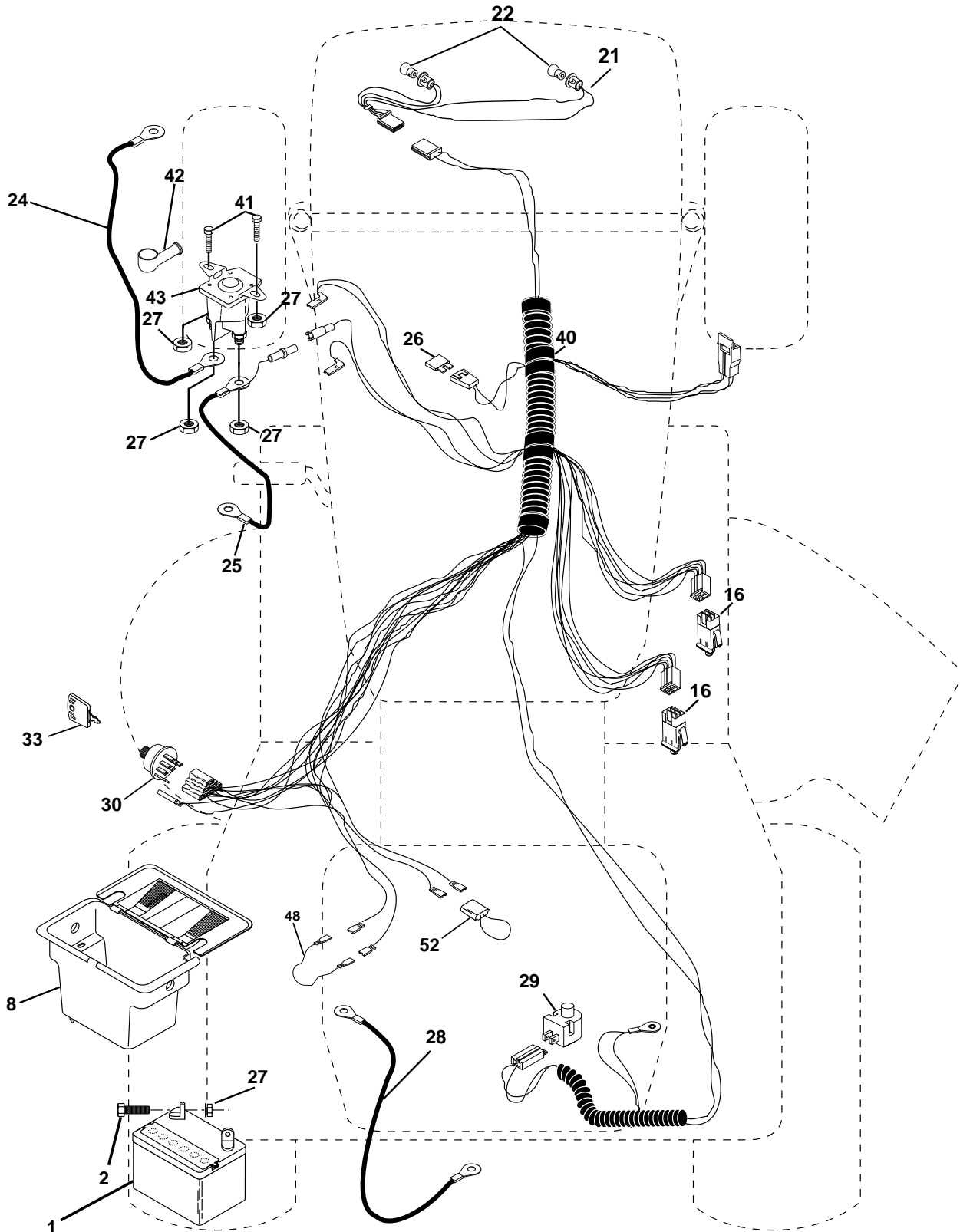
LT13

Spare parts
Ersatzteile
Pièces détachées
Reserve onderdelen
Repuestos
Reservdelar

REPAIR PARTS

TRACTOR - MODEL NO. LT13 (JLT13B), PRODUCT NO. 954 13 00-45

ELECTRICAL



REPAIR PARTS

TRACTOR - MODEL NO. LT13 (JLT13B), PRODUCT NO. 954 13 00-45

ELECTRICAL

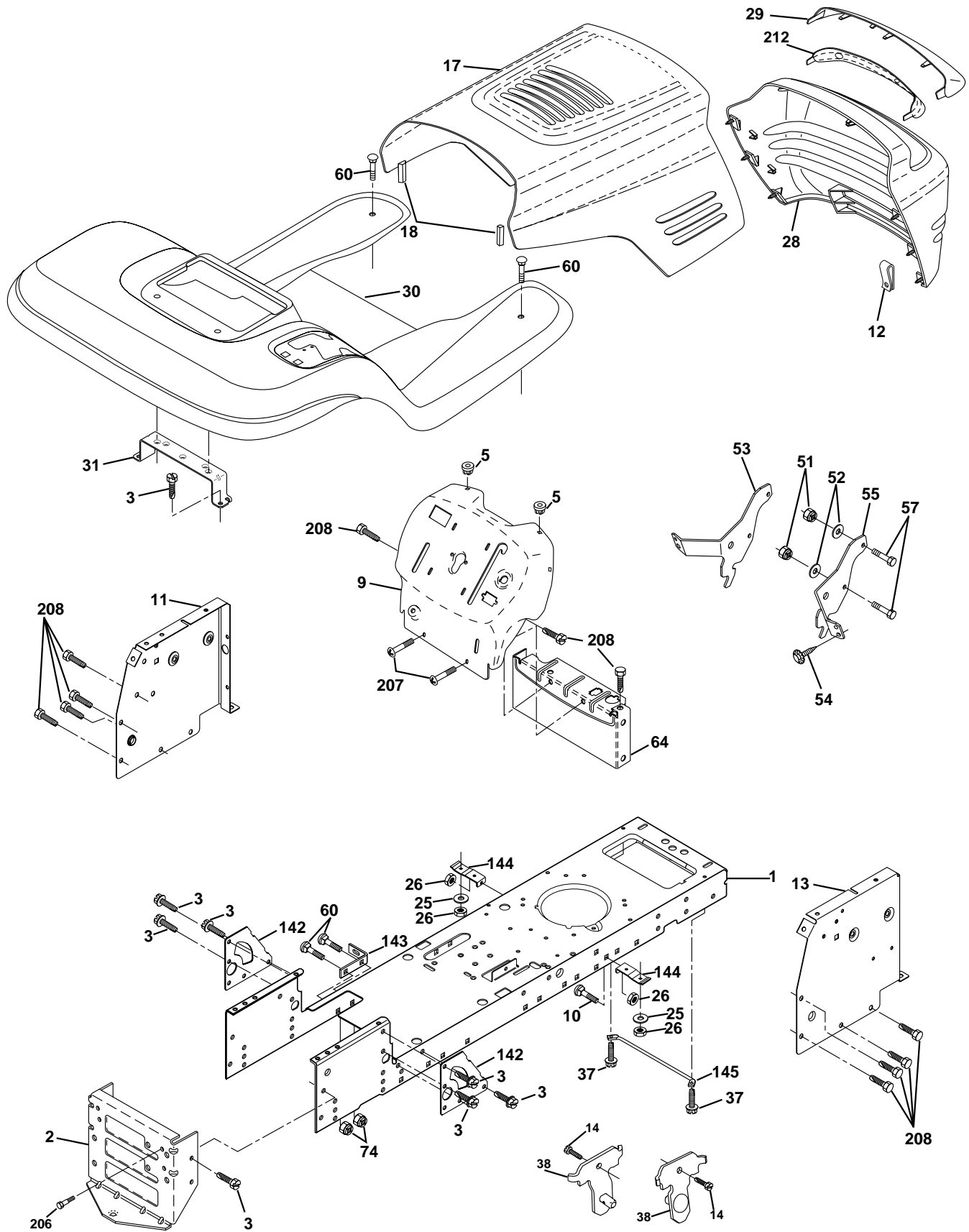
| KEY NO. | PART NO. | DESCRIPTION |
|---------|-----------|--------------------------------------|
| 1 | 532144925 | Battery 12 Volt 25 AMP |
| 2 | 874760412 | Bolt Hex Hd 1/4-20unc X 3/4 |
| 8 | 532156417 | Case Battery Mech Hinge |
| 16 | 532153664 | Switch Interlock Push-In |
| 21 | 532166182 | Harness Asm Light W/4152j |
| 22 | 532004152 | Bulb Light #1156 |
| 24 | 532124780 | Cable Battery 6 Ga 11" red |
| 25 | 532146147 | Cable Battery 6 Ga 44" red w/16 wire |
| 26 | 532175158 | Fuse 20 AMP |
| 27 | 873510400 | Nut Keps Hex 1/4-20 Unc |
| 28 | 532124773 | Cable Ground 6 Ga 12" black |
| 29 | 532121305 | Switch Plunger Nc Gray |
| 30 | 532175566 | Switch Ign |
| 33 | 532140401 | Key Ign |
| 40 | 532170217 | Harness Ign. |
| 41 | 871110408 | Bolt Blk Fin Hex 1/4 - 20 x 1/2 |
| 42 | 532131563 | Cover Terminal Red |
| 43 | 532175141 | Solenoid |
| 48 | 532140844 | Adapter Ammeter |
| 52 | 532141940 | Protection Wire Loop |

NOTE: All component dimensions given in U.S. inches.
1 inch = 25.4 mm.

REPAIR PARTS

TRACTOR - MODEL NO. LT13 (JLT13B), PRODUCT NO. 954 13 00-45

CHASSIS AND ENCLOSURES



REPAIR PARTS

TRACTOR - MODEL NO. LT13 (JLT13B), PRODUCT NO. 954 13 00-45 CHASSIS AND ENCLOSURES

| KEY NO. | PART NO. | DESCRIPTION |
|---------|------------------|--------------------------------|
| 1 | 532174619 | Chassis Weldment |
| 2 | 532176554 | Drawbar |
| 3 | 817060612 | Screw 3/8-16 x .75 SMGML |
| 5 | 532155272 | Bumper Hood/Dash |
| 9 | 532172151 | Dash P/L |
| 10 | 872140608 | Bolt Carriage 3/8-16 x 1 |
| 11 | 532155927 | Panel Dash Lh |
| 12 | 532145660 | Clip Tinnerman Grille P/L |
| 13 | 532172107 | Panel Dash Rh |
| 14 | 817490608 | Screw Thdrol 3/8-16 x 1/2 |
| 17 | 532150760 | Hood LT/PL with Louvers |
| 18 | 532126938 | Bumper Hood |
| 25 | 819131312 | Washer 13/32 X 13/16 X 12 Ga |
| 26 | 873800600 | Nut Lock Hex W/Ins 3/8-16 Unc |
| 28 | 532169509 | Grill/Lens Asm. |
| 29 | 532166603 | Lens LT/PL Grille Shark Plain |
| 30 | 532172157 | Fender Footrest |
| 31 | 532139976 | Bracket Support Fender |
| 37 | 817490508 | Screw Thdrol 6/16-18 x 1/2 TYT |
| 38 | 532169834 | Bracket, Asm. Pivot |
| 51 | 873800400 | Nut Lock Hex W/Ins 1/4-20 |
| 52 | 819091416 | Washer 9/32 x 7/8 x 16 Ga. |
| 53 | 532145201 | Bracket Pnt. Pickoff LH |
| 54 | 532161464 | Screw Hex Wshd 8-18 x 7/8 |
| 55 | 532145202 | Bracket Grille Pickoff RH |
| 57 | 874780412 | Bolt Hex 1/4-20 x 3/4 |
| 60 | 872140606 | Bolt Rdhd Sqnk 3/8-16unc x 3/4 |
| 64 | 532154798 | Dash Lower STLT |
| 74 | 873680600 | Nut Crownlock 3/8-16 UNC |
| 142 | 532165867 | Plate Reinforcement STLT |
| 143 | 532154966 | Bracket Swaybar Chassis |
| 144 | 532154207 | Bracket Pnt Footrest STLT |
| 145 | 532156524 | Rod Pivot Chassis/Hood |
| 206 | 532170165 | Bolt Shoulder 5/16-18 |
| 207 | 817670508 | Screw Thdrol 5/16-18 x 1/2 |
| 208 | 817670608 | Screw Thdrol 3/8-16 x 1/2 |
| 212 | 532165919 | Insert Lens Reflective |
| -- | 532005479 | Plug Button |

NOTE: All component dimensions given in U.S. inches
1 inch = 25.4 mm

REPAIR PARTS

TRACTOR - MODEL NO. LT13 (JLT13B), PRODUCT NO. 954 13 00-45

DRIVE

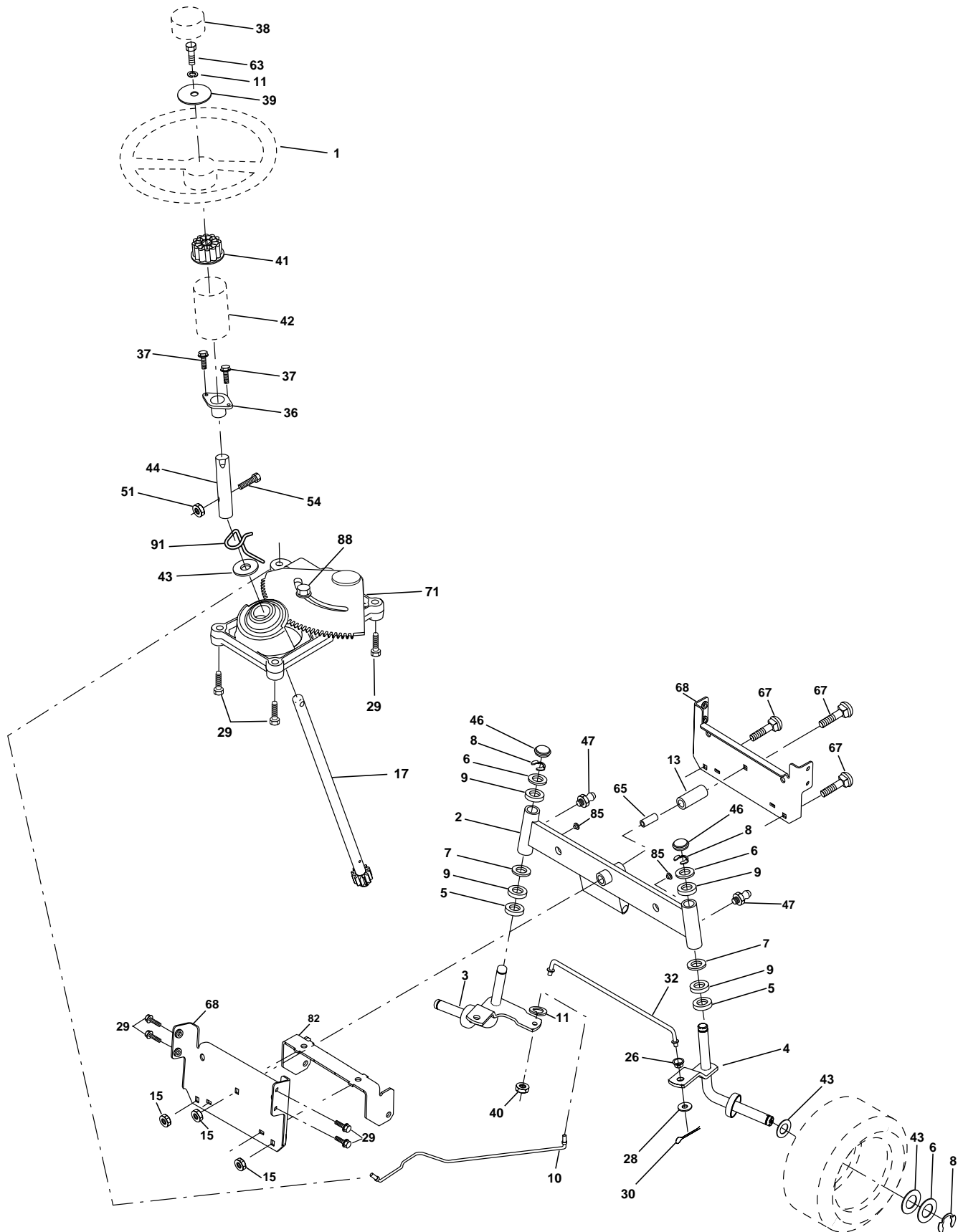
| KEY NO. | PART NO. | DESCRIPTION | KEY NO. | PART NO. | DESCRIPTION |
|---------|------------------|--|---------|------------------|------------------------------------|
| 1 | ----- | Transaxle Peerless 206-545C Order parts from transaxle manufacturer | 62 | 532124872 | Cover Pedal Round |
| 2 | 532146682 | Spring Return Brake T/a Zinc | 63 | 532175410 | Engine Pulley LT/YT |
| 3 | 532123666 | Pulley Transaxle 18" tires | 64 | 871170764 | Bolt Hex |
| 4 | 812000028 | Ring Retainer# 5100-62 | 65 | 810040700 | Washer Lock Hvy Hlcl Spr 7/16 |
| 5 | 532121520 | Strap Torque 30 Degrees | 66 | 532154778 | Keeper Belt Engine Foolproof |
| 6 | 817060512 | Screw Thdrol 5/16-18 | 70 | 532134683 | Guide Belt Mower Drive RH |
| 8 | 532165866 | Rod Shift Fender Adjust Lt | 74 | 532137057 | Spacer Axle |
| 10 | 876020416 | Pin Cotter 1/8 X 1 Cad | 75 | 532121749 | Washer 25/32 X 1 1/4 X 16 Ga |
| 11 | 532105701 | Washer Plate Shf 388 Sq Hole | 76 | 812000001 | E-ring#5133-75 |
| 13 | 874550412 | Bolt 1/4-28 Unf Gr 8 W/Patch | 77 | 532123583 | Key Square 2 0 X 1845/ 1865 |
| 14 | 810040400 | Washer Lock Hvy Helical | 78 | 532121748 | Washer 25/32 X 1-5/8 X 16 Ga |
| 16 | 873800500 | Nut Lock Hex w/lns 5/16-18 | 79 | 532125096 | Key Woodruff #9 3/16 x 3/4 |
| 18 | 874780616 | Bolt, Fin Hex 3/8-16 UNC x 1 Gr. 5 | 80 | 532131486 | Arm Shift |
| 19 | 873800600 | Nut Lock 3/8-16 Unc | 81 | 532165594 | Shaft Asm Cross 18"t |
| 21 | 532121274 | Knob | 82 | 532165711 | Spring Torsion T/a |
| 22 | 532130804 | Rod Brake Blk Zinc 26 840 | 83 | 819171216 | Washer 17/32 X 3/4 X 16 Ga |
| 24 | 873350600 | Nut Hex Jam 3/8-16 Unc | 84 | 532166228 | Link Transaxle |
| 25 | 532106888 | Spring Rod Brake 2 00 Zinc | 85 | 532150360 | Nut Lock Center 1/4 - 28 FNTHD |
| 26 | 819131316 | Washer 13/32 X 13/16 X 16 Ga | 89 | 532166556 | Console Shift STLT |
| 27 | 876020412 | Pin Cotter 1/8 X 3/4 Cad | 90 | 532124346 | Nut Self-thd Wsh-hd 1/4 Zinc |
| 28 | 532175765 | Rod Brake Parking LT/YT | 96 | 532124788 | Retainer Spring 1" |
| 29 | 532071673 | Cap Brake Parking Black | 112 | 819091210 | Washer 9/32 x 3/4 x 10 Ga. |
| 30 | 532174973 | Bracket Mtg Transaxle | 113 | 532127285 | Strap Torque LT |
| 32 | 874760512 | Bolt Hex Hd 5/16-18unc X 3/4 | 116 | 872140608 | Bolt Rdhd Sq Neck 3/8-16 x 1 |
| 34 | 532175578 | Shaft Asm Pedal Foot | 120 | 873900600 | Nut Lock Flg. 3/8-16 Unc |
| 35 | 532120183 | Bearing Nylon Blk 629 Id | 145 | 874490540 | Bolt Hex 5/16-18 Gr. 5 |
| 36 | 819211616 | Washer 21/32 X 1 X 16 Ga | 150 | 532175456 | Spacer |
| 37 | 532124963 | Pin Roll 3/16 X 1" | 151 | 819133210 | Washer 13/32 x 2 x 10 Ga. |
| 38 | 532165936 | Pulley Composite Flat | 156 | 532166002 | Washer Srrted 5/16ID x 1.125 |
| 39 | 874760648 | Bolt Fin Hex 3/8-16 Unc x 3 | 158 | 532165589 | Bracket Shift Mount |
| 40 | 532175461 | Spacer Split 395 X 59 Bzp | 159 | 532165494 | Hub Tapered Flange Shift Lt |
| 41 | 532175556 | Keeper Belt Idler Flat | 161 | 872140406 | Bolt Rdhd Sqnk 1/4-20 x 3/4 Gr 5 |
| 42 | 819131312 | Washer 13/32 X 13/16 X 12 Ga | 162 | 873680400 | Nut Crownlock 1/4-20 Unc |
| 47 | 532127783 | Pulley Idler V Groove Plastic | 163 | 874780416 | Bolt Hex Fin 1/4-20 Unc x 1 Gr 5 |
| 48 | 532154407 | Bellcrank Clutch Grnd Driv | 164 | 819091010 | Washer 5/8 x .281 x 10 Ga |
| 49 | 532123205 | Retainer Belt Style Spring | 165 | 532165623 | Bracket Pivot Lever |
| 50 | 874760624 | Bolt Hex Hd 3/8-16unc X 1-1/2 | 166 | 532166880 | Screw 5/16-18 x 5/8 |
| 51 | 873680600 | Nut Crownlock 3/8-16 Unc | 168 | 532165492 | Bolt Shoulder 5/16-18 x .561 |
| 52 | 873680500 | Nut Crownlock 5/16-18 Unc | 169 | 532165580 | Plate Fastening Lt |
| 53 | 532105710 | Link Clutch | 170 | 532173898 | Keeper, Belt |
| 55 | 532105709 | Spring Return Clutch 6 75 | 197 | 532169613 | Nyliner Snap-In |
| 56 | 817060616 | Screw 3/8-16 X 1.0 | 198 | 532169593 | Washer Nyl 7/8 ID x 105" |
| 57 | 532130801 | V-Belt Ground Drive 95 25 | 202 | 872110614 | Bolt Carr. SH 3/8-16 x 1-3/4 Gr. 5 |
| 59 | 532169691 | Keeper Belt Span Ctr | 212 | 532145212 | Nut, Hex Flange Lock |
| 61 | 817060612 | Screw 3/8-16 x .75 | | | |

NOTE: All component dimensions given in U.S. inches
1 inch = 25.4 mm

REPAIR PARTS

TRACTOR - MODEL NO. LT13 (JLT13B), PRODUCT NO. 954 13 00-45

STEERING ASSEMBLY



REPAIR PARTS

TRACTOR - MODEL NO. LT13 (JLT13B), PRODUCT NO. 954 13 00-45

STEERING ASSEMBLY

| KEY NO. | PART NO. | DESCRIPTION |
|---------|------------------|----------------------------------|
| 1 | 532177182 | Wheel Steering |
| 2 | 532154427 | Axle Asm STMP Dropped STL |
| 3 | 532169840 | Spindle Asm LH |
| 4 | 532169839 | Spindle Asm RH |
| 5 | 532124931 | Bearing Race Thrust Harden |
| 6 | 532121748 | Washer 25/32 X 1-5/8 X 16 Ga |
| 7 | 819272016 | Washer 27/32 X 1-1/4 X 16 Ga |
| 8 | 812000029 | Ring Klip #t5304-75 |
| 9 | 532124937 | Bearing Col Strg Blk |
| 10 | 532175121 | Link Drag |
| 11 | 810040600 | Washer Lock Hvy Hlcl Spr 3/8 |
| 13 | 532136518 | Bearing Axle STL/GT |
| 15 | 532145212 | Nut Hexflange Lock |
| 17 | 532177876 | Shaft Asm Strg |
| 26 | 532126847 | Bushing Link Drag Blk LR |
| 28 | 819131416 | Washer 13/32 X 7/8 X 16 Ga |
| 29 | 817060612 | Screw 3/8-16x3/4 SMGML |
| 30 | 876020412 | Pin Cotter 1/8 X 3/4 Cad |
| 32 | 532130465 | Rod Tie Wire Form 19 75 Mech |
| 36 | 532155099 | Bushing Strg |
| 37 | 532152927 | Screw |
| 38 | 532177183 | Insert Cap Strg Wh |
| 39 | 819133812 | Washer 13/32 X 2-3/8 X 8 Ga |
| 40 | 532124701 | Lock nut |
| 41 | 532100711 | Adaptor Wheel Strg |
| 42 | 532169633 | Boot Steering Shaft |
| 43 | 532121749 | Washer 25/32 X 1 1/4 X 16 Ga |
| 44 | 532153720 | Extension Steering Shaft LR/LT |
| 46 | 532121232 | Cap Spindle Fr Top Blk |
| 47 | 532124836 | Fitting Grease |
| 51 | 873800500 | Nut Lock Hex w/Ins 5/16-18 |
| 54 | 874780520 | Bolt Fin Hex 5/16-18 Unc x 1-1/4 |
| 63 | 874780616 | Bolt Fin Hex 3/8-16unc x 1 Gr. 5 |
| 65 | 532160367 | Spacer Axle |
| 67 | 872140618 | Bolt RDHD SQNK 3/8-16 x 2-1/4 |
| 68 | 532169827 | Axle, Brace |
| 71 | 532175146 | Steering Asm. |
| 82 | 532169835 | Bracket Susp Chassis Front |
| 85 | 532133835 | Fastner Christmas Tree |
| 88 | 532175118 | Bolt shoulder 7/16-20 |
| 91 | 532175553 | Clip Steering |

NOTE: All component dimensions given in U.S. inches.
1 inch = 25.4 mm.

REPAIR PARTS

TRACTOR - MODEL NO. LT13 (JLT13B), PRODUCT NO. 954 13 00-45

ENGINE

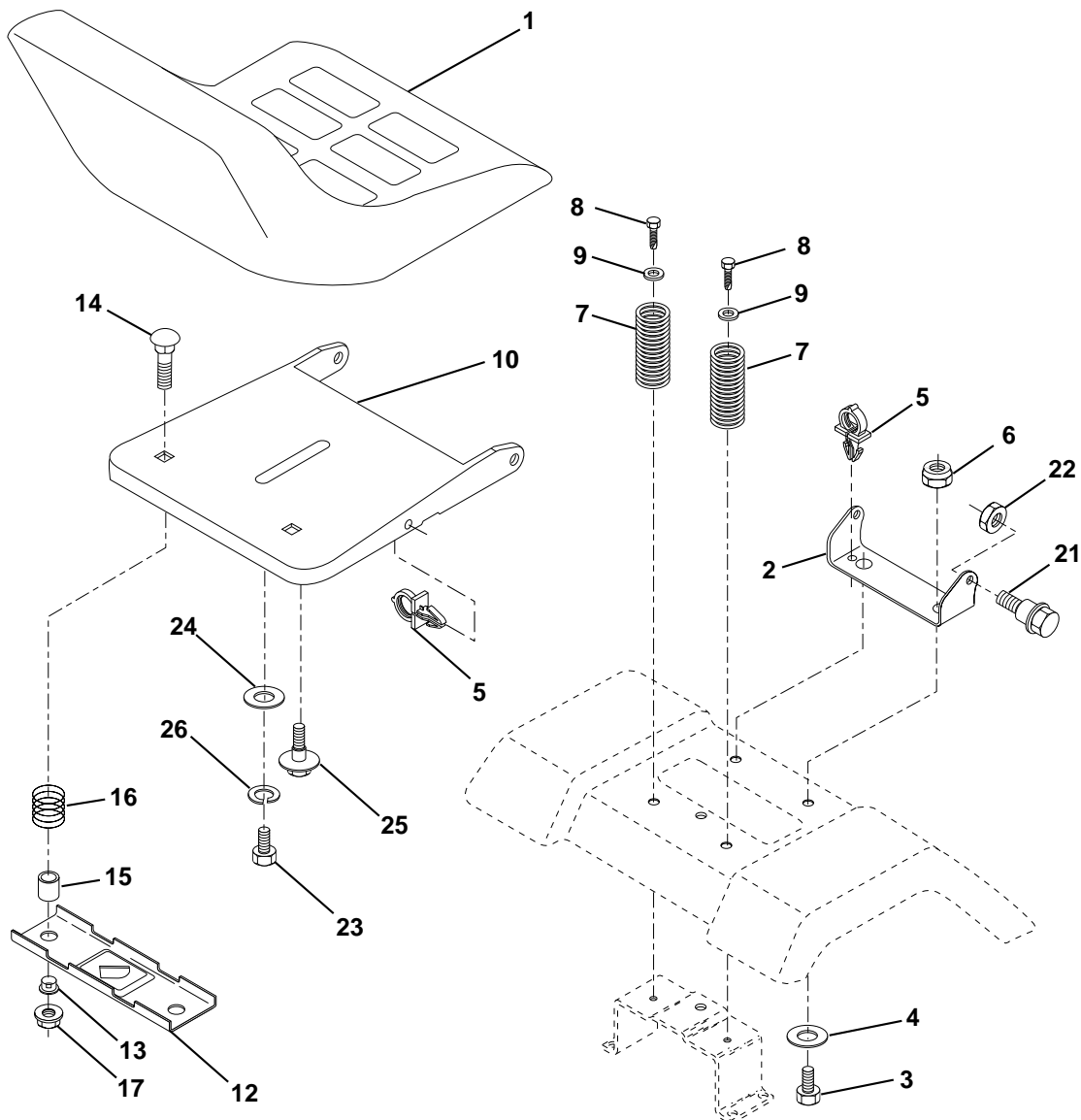
| KEY NO. | PART NO. | DESCRIPTION |
|---------|-----------|---|
| 1 | 532170865 | Control Th/ch LH Flag |
| 2 | 817720410 | Screw Hex Thd Cut 1/4-20x5/8 T |
| 3 | ----- | Engine B&S Model No. 28R707 (Order parts from engine manufacturer) |
| 4 | 532137348 | Muffler |
| 13 | 532165291 | Gasket |
| 14 | 532148456 | Tube Drain Oil Easy |
| 16 | 811050600 | Washer Lock Ext Tooth 3/8 |
| 23 | 532169837 | Shield Brn/Dbr Guard |
| 29 | 532137180 | Kit Spark Arrestor (Flat Scrn) |
| 31 | 532109202 | Tank Fuel Front |
| 32 | 532140527 | Cap Asm Fuel W/sym Vented |
| 33 | 532123487 | Clamp Hose Black |
| 37 | 532137040 | Line Fuel 20" |
| 38 | 532148315 | Plug Drain Oil Easy |
| 40 | 532124028 | Bushing Snap Nyl Blk Fuel Line |
| 44 | 817670412 | Screw Hexwsh Thdrol 1/4-20x3/4 |
| 45 | 817000612 | Screw 3/8-16 x 3/4 |
| 46 | 819091416 | Washer 9/32 X 7/8 X 16 Ga |
| 62 | 810040500 | Washer Lock Hvy Hlcl Spr 5/16 |
| 66 | 532127951 | Stop Throttle 3000 RPM |
| 72 | 871070512 | Screw Hexhd Cap 5/16-18 x 3/4 |
| 78 | 817060620 | Screw 3/8-16 x 1-1/4 SMGML |
| 81 | 873510400 | Nut Keps Hex 1/4-20 |

NOTE: All component dimensions given in U.S. inches
1 inch = 25.4 mm

REPAIR PARTS

TRACTOR - MODEL NO. LT13 (JLT13B), PRODUCT NO. 954 13 00-45

SEAT ASSEMBLY



| KEY NO. | PART NO. | DESCRIPTION |
|---------|-----------|--------------------------------|
| 1 | 532140116 | Seat |
| 2 | 532140551 | Bracket Pivot Seat 8 720 |
| 3 | 871110616 | Bolt Fin Hex 3/8-16 Unc x 1 |
| 4 | 819131610 | Washer 13/32 X 1 X 10 Ga |
| 5 | 532145006 | Clip Push-In |
| 6 | 873800600 | Nut Hex w/Ins. 3/8-16 Unc |
| 7 | 532124181 | Spring Seat Cprsn 2 250 Blk Zi |
| 8 | 817000616 | Screw 3/8-16 x 1.5 SMGML |
| 9 | 819131614 | Washer 13/32 X 1 X 14 Ga. |
| 10 | 532174894 | Pan Seat |
| 12 | 532121246 | Bracket Mounting Switch |
| 13 | 532121248 | Bushing Snap Blk Nyl 50 Id |

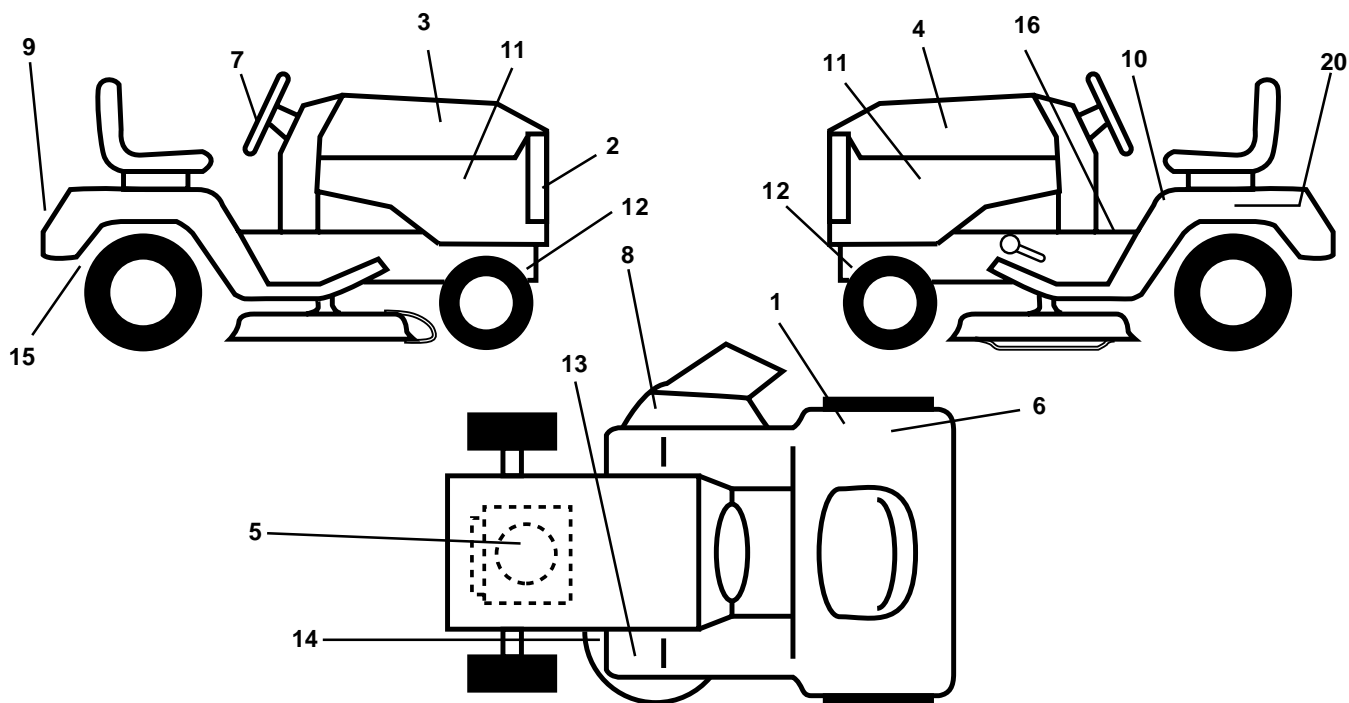
| KEY NO. | PART NO. | DESCRIPTION |
|---------|-----------|--------------------------------|
| 14 | 872050412 | Bolt Rdhd Sqnk 1/4-20x1-1/2 |
| 15 | 532134300 | Spacer Split 28x96 Yel Zinc |
| 16 | 532121250 | Spring Cprsn 1.27 Blk Pnt |
| 17 | 532123976 | Nut Lock 1/4 Lge Flg Gr 5 Zinc |
| 21 | 532171852 | Bolt SHLD 5/16-18 Unc-2A |
| 22 | 873800500 | Nut Hex Lock W/Ins 5/16-18 |
| 23 | 871110814 | Bolt Hex |
| 24 | 819171912 | Washer 17/32 X 1-3/16 X 12 Ga. |
| 25 | 532127018 | Bolt Shoulder 5/16-18 X 62 |
| 26 | 810040800 | Washer Lock Hvy HLCL Spr. 1/2 |

NOTE: All component dimensions given in U.S. inches.
1 inch = 25.4 mm

REPAIR PARTS

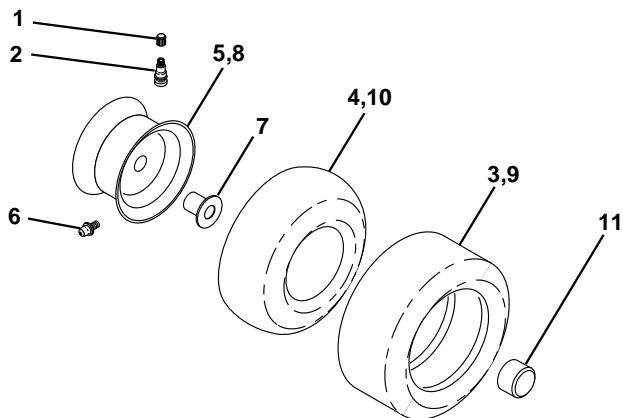
TRACTOR - MODEL NO. LT13 (JLT13B), PRODUCT NO. 954 13 00-45

DECALS



| KEY NO. | PART NO. | DESCRIPTION | KEY NO. | PART NO. | DESCRIPTION |
|---------|-----------|---------------------------------|---------|-----------|---------------------------------|
| 1 | 532126187 | Decal 100 DBA | 12 | 532159736 | Decal Chassis Hot Muffler |
| 2 | 532152262 | Decal Grille | 13 | 532159737 | Decal Brake/Clutch Symbol LT |
| 3 | 532170598 | Decal Hood RH | 14 | 532136832 | Decal V-Belt Schematic |
| 4 | 532170599 | Decal Hood LH | 15 | 532162598 | Decal Drawbar Load Limit |
| 5 | 532170848 | Decal HP Engine | 16 | 532140837 | Decal Saddle Brake Parking |
| 6 | 532145437 | Decal Europe Stand CE | 20 | 532145005 | Decal Bat Dan/Psn |
| 7 | 532175884 | Decal, Ins. Strg Whl. | -- | 532171284 | Pad Footrest LH STLT |
| 8 | 532145494 | Decal Mower Cutfinger | -- | 532171285 | Pad Footrest RH STLT |
| 9 | 532141761 | Decal Fender Jonsered | -- | 532138311 | Decal Handle Lift Height Adjust |
| 10 | 532145498 | Decal Read Owner's Manual Syms. | -- | 532176379 | Manual Operator's (Euro.) |
| 11 | 532162927 | Decal Hood Insert B&S White | -- | 532176380 | Manual Operator's (Scan.) |

WHEELS & TIRES



| KEY NO. | PART NO. | DESCRIPTION |
|---------|-----------|-----------------------------------|
| 1 | 532059192 | Cap Valve Tire |
| 2 | 532065139 | Stem Valve |
| 3 | 532106222 | Tire F Ts 15 X 6 0 - 6 Service |
| 4 | 532059904 | Tube Front (Service Item Only) |
| 5 | 532138336 | Rim Asm 6"front Silver Service |
| 6 | 532124957 | Fitting Grease (Front Wheel Only) |
| 7 | 532124959 | Bearing Flange (Front Wheel Only) |
| 8 | 532138337 | Rim Asm 8"rear Silver Service |
| 9 | 532124635 | Tire R Ts 18x9 5-8 C Service |
| 10 | 532124926 | Tube Rear (Service Item Only) |
| 11 | 532175039 | Cap Axle Blk 1 50 X 1 00 |
| -- | 532144334 | Sealant, Tire (10 oz. Tube) |

NOTE: All component dimensions given in U.S. inches
1 inch = 25.4 mm

REPAIR PARTS

TRACTOR - MODEL NO. LT13 (JLT13B), PRODUCT NO. 954 13 00-45

MOWER DECK

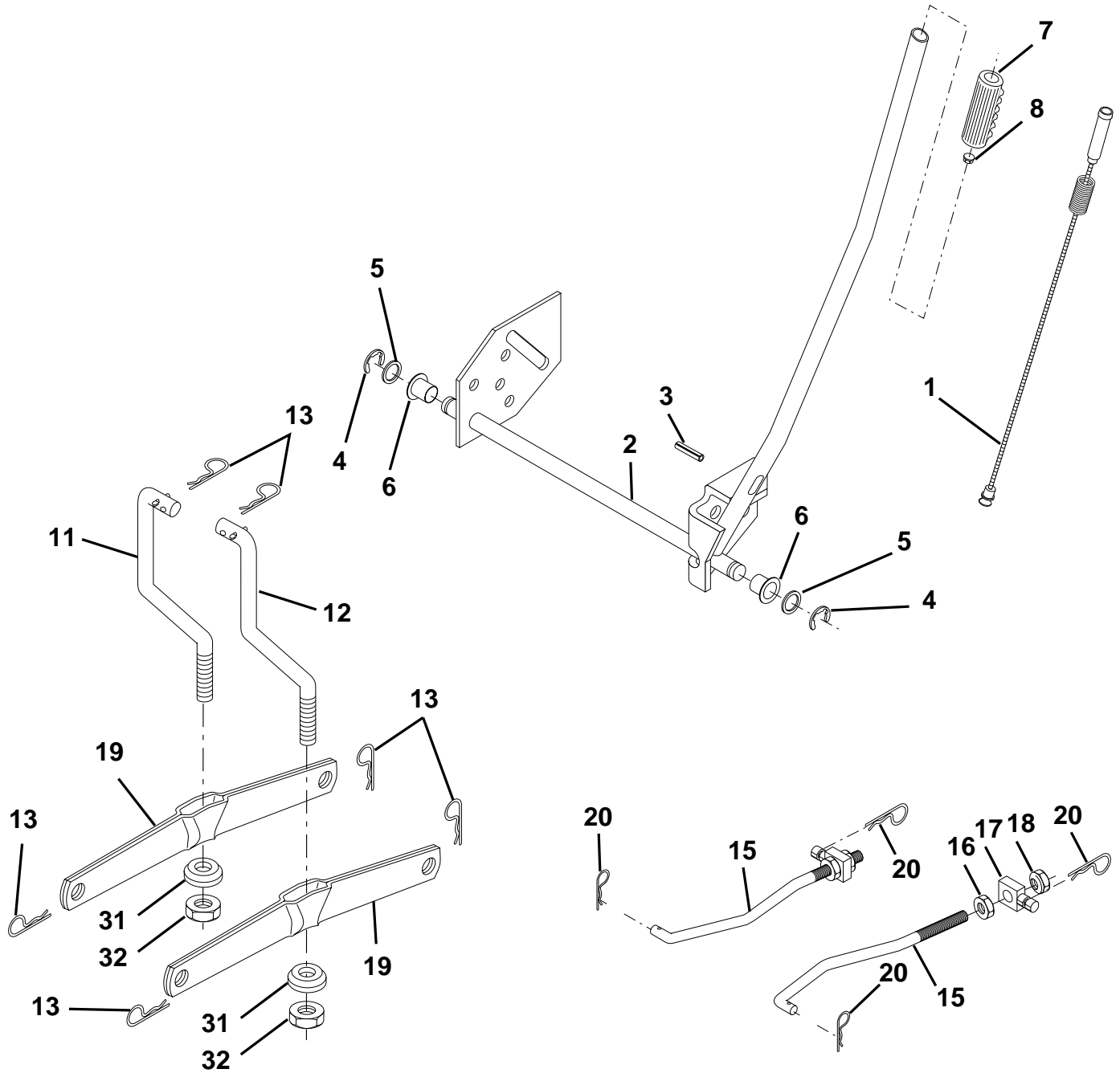
| KEY NO. | PART NO. | DESCRIPTION | KEY NO. | PART NO. | DESCRIPTION |
|---------|------------------|-------------------------------|---------|-----------|---|
| 1 | 532174595 | Mower Deck Assembly | 56 | 532165723 | Spacer, Retainer |
| 2 | 872140506 | Bolt | 67 | 532106932 | Knob RD 3/8-16 Plstc Thd |
| 3 | 532138017 | Bracket Assembly, Sway Bar | 68 | 532174978 | Belt |
| 4 | 532175654 | Bracket Sway Bar | 69 | 876020312 | Pin, Cotter 3/32 x 3/4 |
| 5 | 532124670 | Retainer Spring | 89 | 819131612 | Washer 13/32 x 1 x 12 Ga |
| 6 | 532130832 | Arm, Suspension, Rear | 107 | 532133502 | Spacer, Retainer |
| 7 | 532140608 | Keeper Belt | 108 | 532133503 | Stiffener, Idler Arm |
| 8 | 532850857 | Bolt, Hex 3/8-24 x 1.25 Gr. 8 | 113 | 817490508 | Screw Thdrol 5/16-18 x 1/2 |
| 9 | 810030600 | Washer, Lock Hvy Hlcl 3/8 | 122 | 532174505 | Rod, Brake, LH |
| 10 | 532140296 | Washer, Hardened | 123 | 532174504 | Rod, Brake, RH |
| 11 | 532138496 | Blade, Mower | 146 | 532165891 | Bolt Carriage Idler |
| 13 | 532137645 | Shaft Assembly, Mandrel | 148 | 532169022 | Spring Return Idler |
| 14 | 532128774 | Housing, Mandrel, Vented | 149 | 532165898 | Retainer Spring Yellow Zinc |
| 15 | 532110485 | Bearing, Ball, Mandrel | 150 | 819091216 | Washer 9/32 x 3/4 x 16 Ga. |
| 16 | 532174493 | Stripper, Mower Deck | 151 | 532169670 | Bracket Clutch |
| 19 | 532132827 | Bolt, Shoulder | 152 | 532176079 | Cable Clutch |
| 21 | 873680500 | Nut Crownlock 5/16-18 | 153 | 532169674 | Washer Flat 3/8" Type B |
| 23 | 532136631 | Bracket, Mower Deflector | 154 | 532169675 | Spring Retainer |
| 24 | 532105304 | Cap, Sleeve | 155 | 532169671 | Spring Retention Lever |
| 25 | 532123713 | Spring, Torsion, Deflector | 156 | 532169672 | Spacer |
| 26 | 532110452 | Nut, Push | 157 | 532169669 | Rod Clutch |
| 27 | 532176162 | Shield, Deflector | 158 | 817720410 | Screw Hex Thd Cut 1/4-20x5/8 |
| 28 | 819111016 | Washer 11/32 x 5/8 x 16 Ga. | 164 | 532174976 | Bracket Asm Idler Support |
| 29 | 532121980 | Rod, Hinge | 168 | 532172377 | Bracket Deck Cable |
| 30 | 532157722 | Screw Thdrol Washer Head | 169 | 532174977 | Bracket Asm Suspension |
| 31 | 532129963 | Washer, Spacer | 170 | 532172359 | Bracket Suspension RF |
| 32 | 532153531 | Pulley, Mandrel | 171 | 532165237 | Brace Support Susp. Frt |
| 33 | 532137266 | Nut, Toplock, Flanged | 172 | 532172355 | Bracket Suspension LF |
| 34 | 872110614 | Bolt Rdhd 3/8-16 x 1-3/4 | -- | 532130794 | Mandrel Assembly (Includes Key Numbers 13-15, 17-19, 31 and 33) |
| 36 | 532131494 | Pulley, Idler, Flat | -- | 532175254 | Mower Deck, Complete |
| 40 | 873680600 | Nut Crownlock 3/8-16 | | | |
| 45 | 532124788 | Retainer, Spring | | | |
| 53 | 532130840 | Brake Assembly | | | |
| 54 | 532133943 | Washer, Hardened | | | |
| 55 | 532133840 | Idler Arm Assembly | | | |

NOTE: All component dimensions given in U.S. inches
1 inch = 25.4 mm

REPAIR PARTS

TRACTOR - MODEL NO. LT13 (JLT13B), PRODUCT NO. 954 13 00-45

MOWER LIFT



REPAIR PARTS

TRACTOR - MODEL NO. LT13 (JLT13B), PRODUCT NO. 954 13 00-45

MOWER LIFT

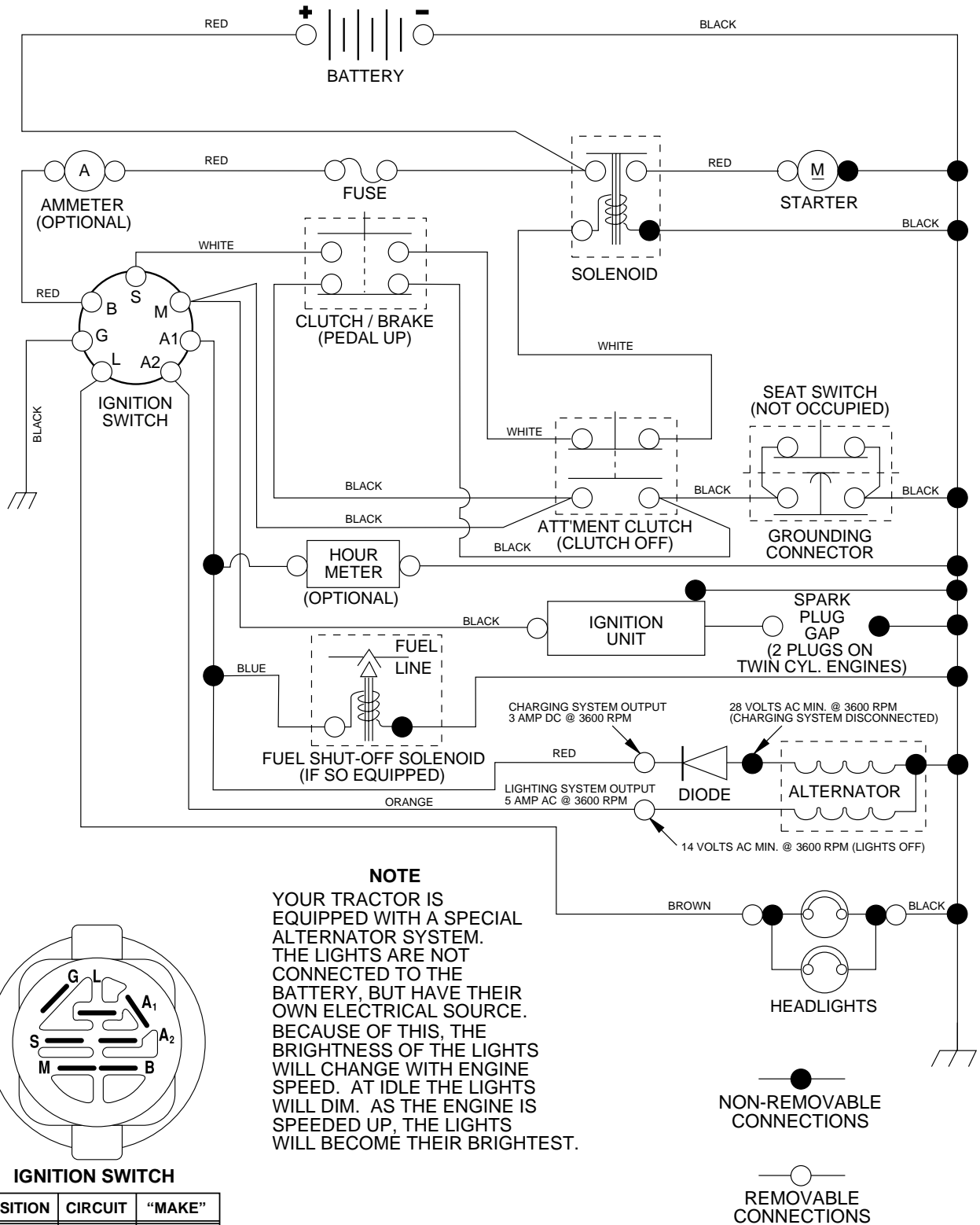
| KEY NO. | PART NO. | DESCRIPTION |
|---------|-----------|-----------------------------------|
| 1 | 532159460 | Washer Asm Inner Spring W/Plunger |
| 2 | 532159471 | Shaft Asm. Lift |
| 3 | 532105767 | Pin Groove |
| 4 | 812000002 | E Ring #5133-62 |
| 5 | 819211621 | Washer 21/32 x 1 x 21 Ga |
| 6 | 532120183 | Bearing Nylon |
| 7 | 532109413 | Grip Handle |
| 8 | 532124526 | Button Plunger |
| 11 | 532139865 | Link Lift LH |
| 12 | 532139866 | Link Lift RH |
| 13 | 532124670 | Retainer Spring |
| 15 | 532173288 | Link Front |
| 16 | 873350800 | Nut Jam Hex 1/2-13 Unc |
| 17 | 532130171 | Trunnion Blk Zinc |
| 18 | 873800800 | Nut Lock W/Wsh 1/2-13 Unc |
| 19 | 532139868 | Arm Suspension Mower |
| 20 | 532163552 | Retainer Spring |
| 31 | 532169865 | Bearing Pvt. Lift |
| 32 | 873540600 | Nut Crownlock 3/8-24 |

NOTE: All component dimensions given in U.S. inches
1 inch = 25.4 mm

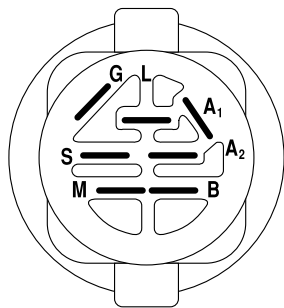
REPAIR PARTS

TRACTOR - MODEL NO. LT13 (JLT13B), PRODUCT NO. 954 13 00-45

SCHEMATIC



NOTE
YOUR TRACTOR IS EQUIPPED WITH A SPECIAL ALTERNATOR SYSTEM. THE LIGHTS ARE NOT CONNECTED TO THE BATTERY, BUT HAVE THEIR OWN ELECTRICAL SOURCE. BECAUSE OF THIS, THE BRIGHTNESS OF THE LIGHTS WILL CHANGE WITH ENGINE SPEED. AT IDLE THE LIGHTS WILL DIM. AS THE ENGINE IS SPEEDED UP, THE LIGHTS WILL BECOME THEIR BRIGHTEST.



IGNITION SWITCH

| POSITION | CIRCUIT | "MAKE" |
|-----------|------------|--------|
| OFF | M+G+A1 | NONE |
| RUN/LIGHT | B+A1 | A2+L |
| RUN | B+A1 | NONE |
| START | B + S + A1 | NONE |

WIRING INSULATED CLIPS

NOTE: IF WIRING INSULATED CLIPS WERE REMOVED FOR SERVICING OF UNIT, THEY SHOULD BE REPLACED TO PROPERLY SECURE YOUR WIRING.