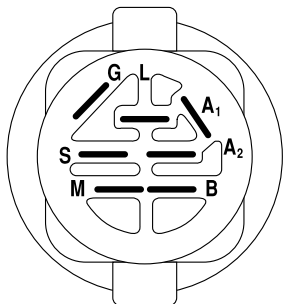
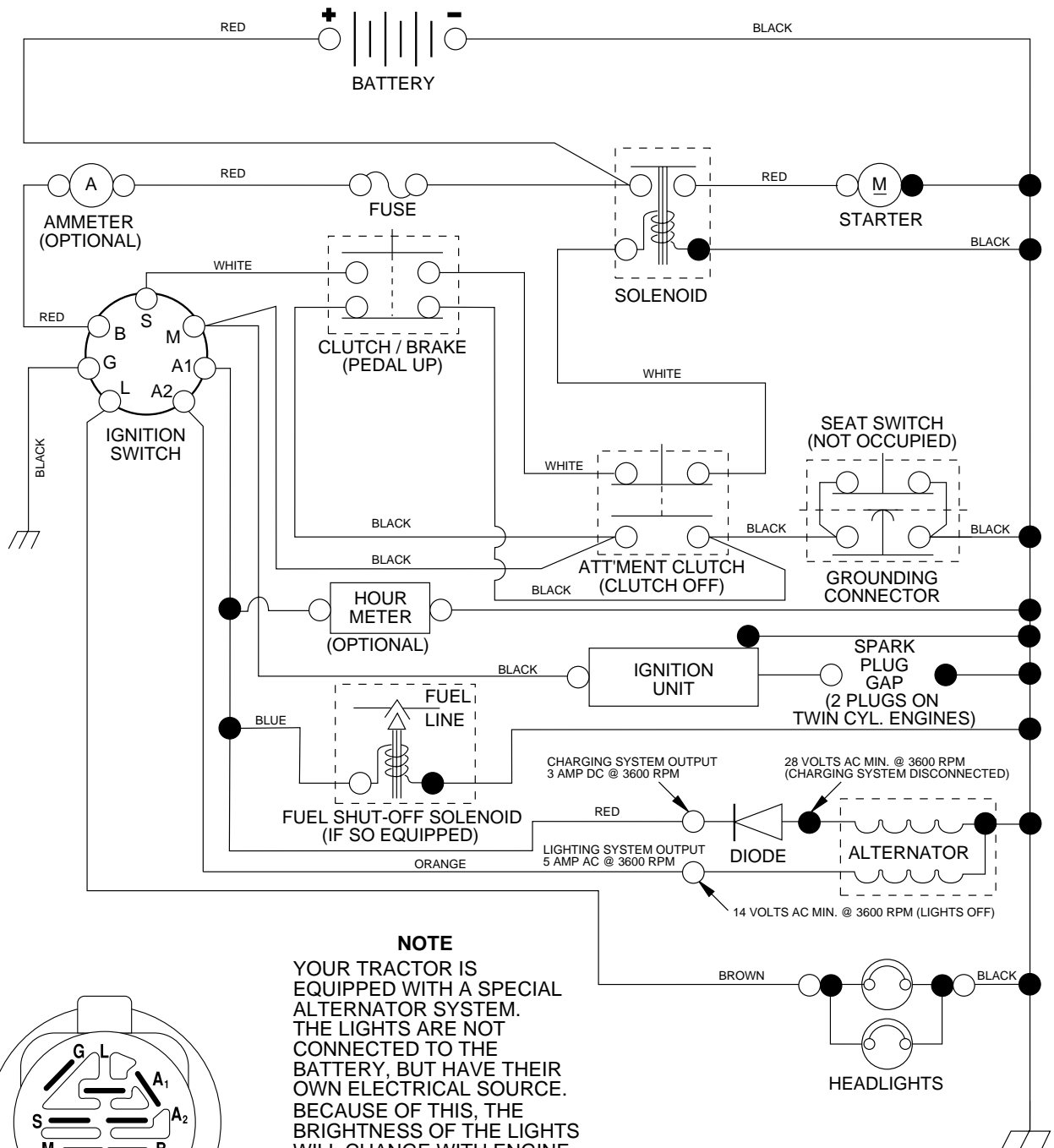


LT13A

Spare parts
Ersatzteile
Pièces détachées
Reserve onderdelen
Repuestos
Reservdelar

TRACTOR - MODEL NO. LT13A (JLTA13B), PRODUCT NO. 954 13 00-46

SCHEMATIC



IGNITION SWITCH

POSITION	CIRCUIT	"MAKE"
OFF	M+G+A1	NONE
RUN/LIGHT	B+A1	A2+L
RUN	B+A1	NONE
START	B + S + A1	NONE

NOTE

YOUR TRACTOR IS EQUIPPED WITH A SPECIAL ALTERNATOR SYSTEM. THE LIGHTS ARE NOT CONNECTED TO THE BATTERY, BUT HAVE THEIR OWN ELECTRICAL SOURCE. BECAUSE OF THIS, THE BRIGHTNESS OF THE LIGHTS WILL CHANGE WITH ENGINE SPEED. AT IDLE THE LIGHTS WILL DIM. AS THE ENGINE IS SPEEDED UP, THE LIGHTS WILL BECOME THEIR BRIGHTEST.

WIRING INSULATED CLIPS

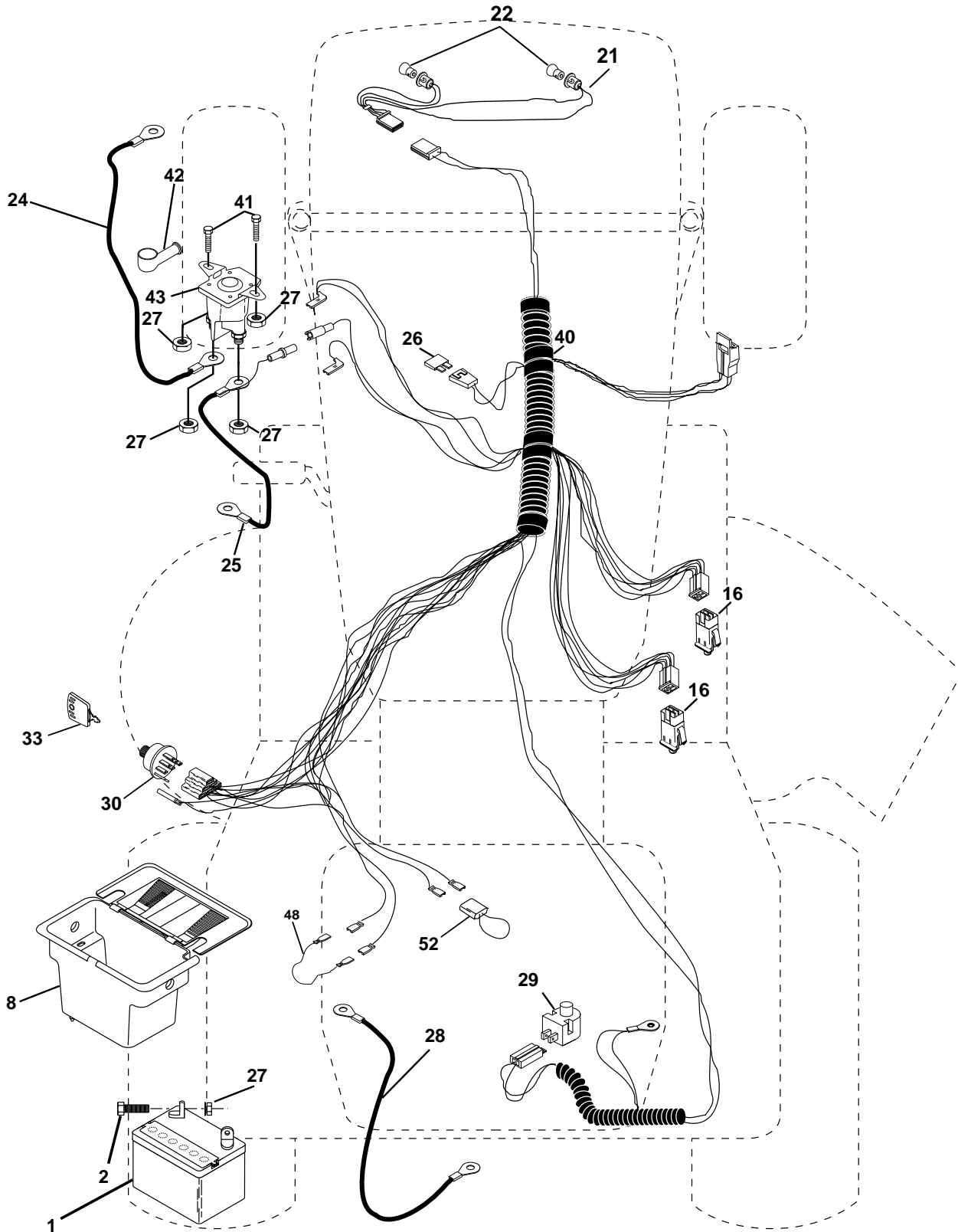
NOTE: IF WIRING INSULATED CLIPS WERE REMOVED FOR SERVICING OF UNIT, THEY SHOULD BE REPLACED TO PROPERLY SECURE YOUR WIRING.

NON-REMOVABLE CONNECTIONS

REMOVABLE CONNECTIONS

REPAIR PARTS

TRACTOR - MODEL NO. LT13A (JLTA13B), PRODUCT NO. 954 13 00-46
ELECTRICAL



REPAIR PARTS

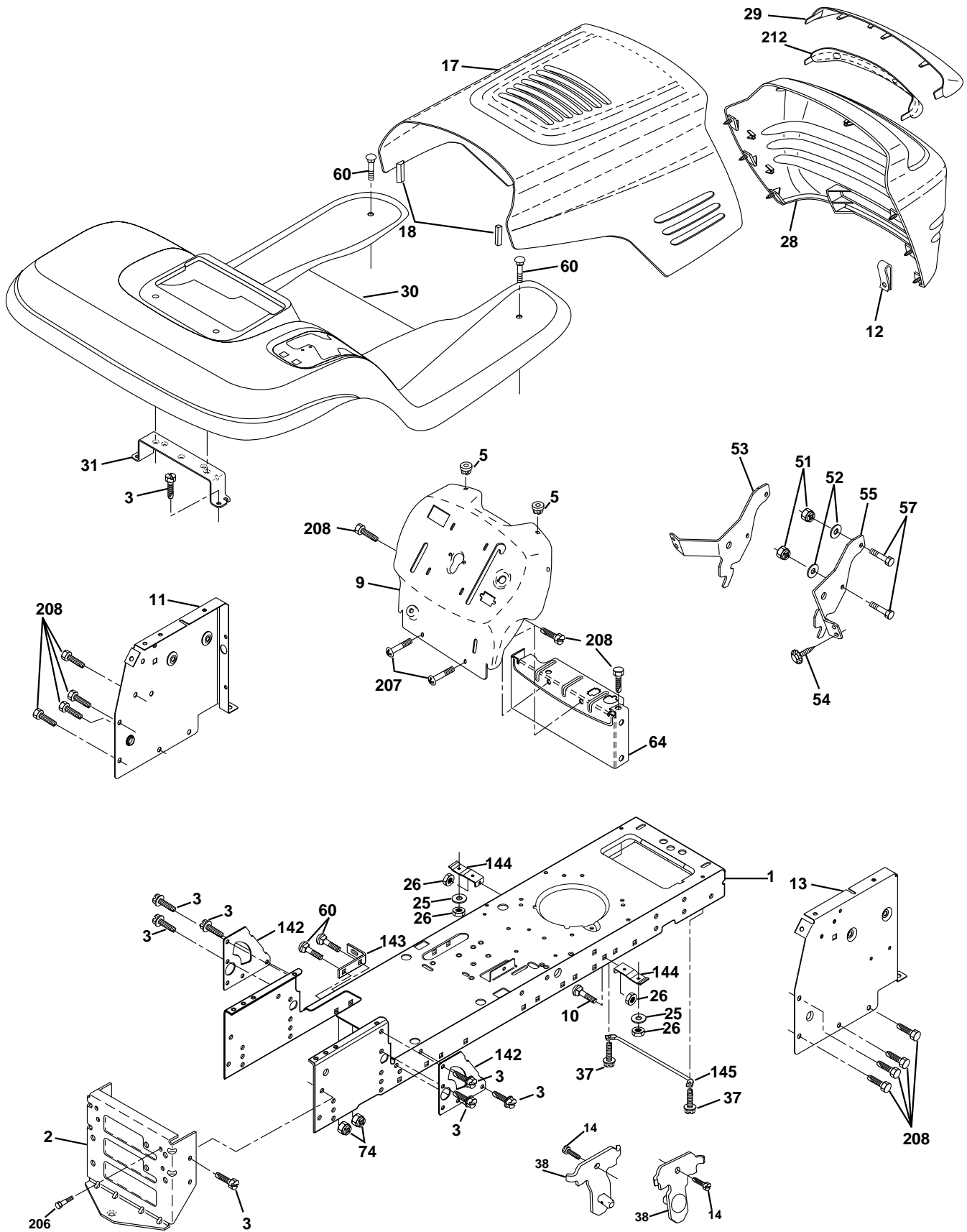
TRACTOR - MODEL NO. LT13A (JLTA13B), PRODUCT NO. 954 13 00-46
ELECTRICAL

KEY NO.	PART NO.	DESCRIPTION
1	532144925	Battery 12 Volt 25 AMP
2	874760412	Bolt Hex Hd 1/4-20unc X 3/4
8	532156417	Case Battery Mech Hinge
16	532153664	Switch Interlock Push-In
21	532166182	Harness Asm Light W/4152j
22	532004152	Bulb Light #1156
24	532124780	Cable Battery 6 Ga 11" red
25	532146147	Cable Battery 6 Ga 44" red w/16 wire
26	532175158	Fuse 20 AMP
27	873510400	Nut Keps Hex 1/4-20 Unc
28	532124773	Cable Ground 6 Ga 12" black
29	532121305	Switch Plunger Nc Gray
30	532175566	Switch Ign
33	532140401	Key Ign
40	532170217	Harness Ign.
41	871110408	Bolt Blk Fin Hex 1/4 - 20 x 1/2
42	532131563	Cover Terminal Red
43	532175141	Solenoid
48	532140844	Adapter Ammeter
52	532141940	Protection Wire Loop

NOTE: All component dimensions given in U.S. inches.
1 inch = 25.4 mm.

REPAIR PARTS

TRACTOR - MODEL NO. LT13A (JLTA13B), PRODUCT NO. 954 13 00-46
CHASSIS AND ENCLOSURES



REPAIR PARTS

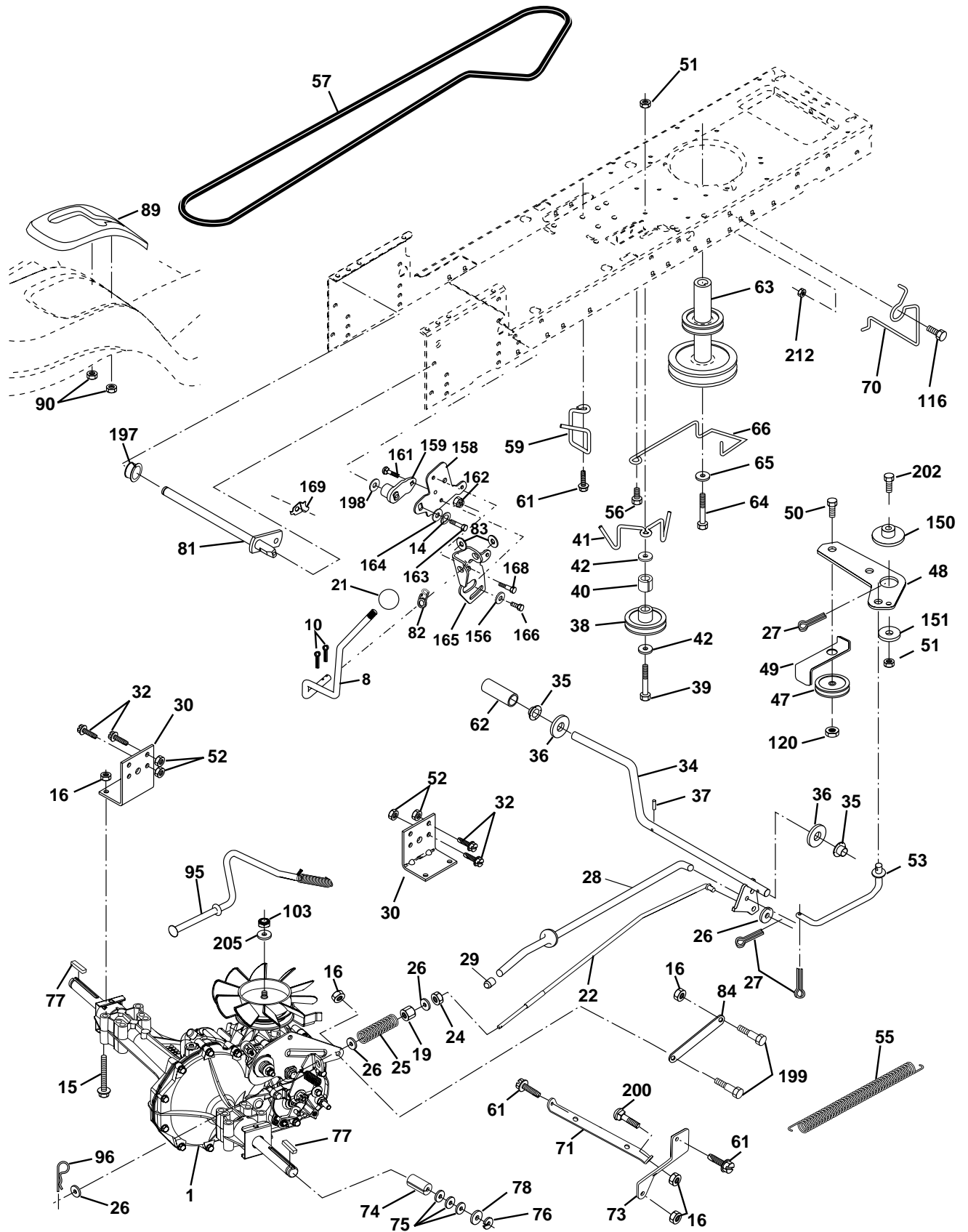
TRACTOR - MODEL NO. LT13A (JLTA13B), PRODUCT NO. 954 13 00-46 CHASSIS AND ENCLOSURES

KEY NO.	PART NO.	DESCRIPTION
1	532174619	Chassis Weldment
2	532176554	Drawbar
5	532155272	Bumper Hood/Dash
9	532172151	Dash P/L
10	872140608	Bolt Carriage 3/8-16 x 1
11	532155927	Panel Dash Lh
12	532145660	Clip Tinnerman Grille P/L
13	532173025	Panel Dash Rh
14	817490608	Screw Thdrol 3/8-16 x 1/2
17	532150760	Hood LT/PL with Louvers
18	532126938	Bumper Hood
25	819131312	Washer 13/32 X 13/16 X 12 Ga
26	873800600	Nut Lock Hex W/Ins 3/8-16 Unc
28	532169509	Grill/Lens Asm.
29	532166603	Lens LT/PL Grille Shark Plain
30	532172157	Fender Footrest
31	532139976	Bracket Support Fender
37	817490508	Screw Thdrol 6/16-18 x 1/2 TYT
38	532169834	Bracket, Asm. Pivot
51	873800400	Nut Lock Hex W/Ins 1/4-20
52	819091416	Washer 9/32 x 7/8 x 16 Ga.
53	532145201	Bracket Pnt. Pickoff LH
54	532161464	Screw Hex Wshd 8-18 x 7/8
55	532145202	Bracket Grille Pickoff RH
57	874780412	Bolt Hex 1/4-20 x 3/4
60	872140606	Bolt Rdhd Sqnk 3/8-16unc x 3/4
64	532154798	Dash Lower STLT
74	873680600	Nut Crownlock 3/8-16 UNC
142	532165867	Plate Reinforcement STLT
143	532154966	Bracket Swaybar Chassis
144	532154207	Bracket Pnt Footrest STLT
145	532156524	Rod Pivot Chassis/Hood
206	532170165	Bolt Shoulder 5/16-18
207	817670508	Screw Thdrol 5/16-18 x 1/2
208	817670608	Screw Thdrol 3/8-16 x 1/2
212	532165919	Insert Lens Reflective
--	532005479	Plug Button

NOTE: All component dimensions given in U.S. inches
1 inch = 25.4 mm

REPAIR PARTS

TRACTOR - MODEL NO. LT13A (JLTA13B), PRODUCT NO. 954 13 00-46
DRIVE



REPAIR PARTS

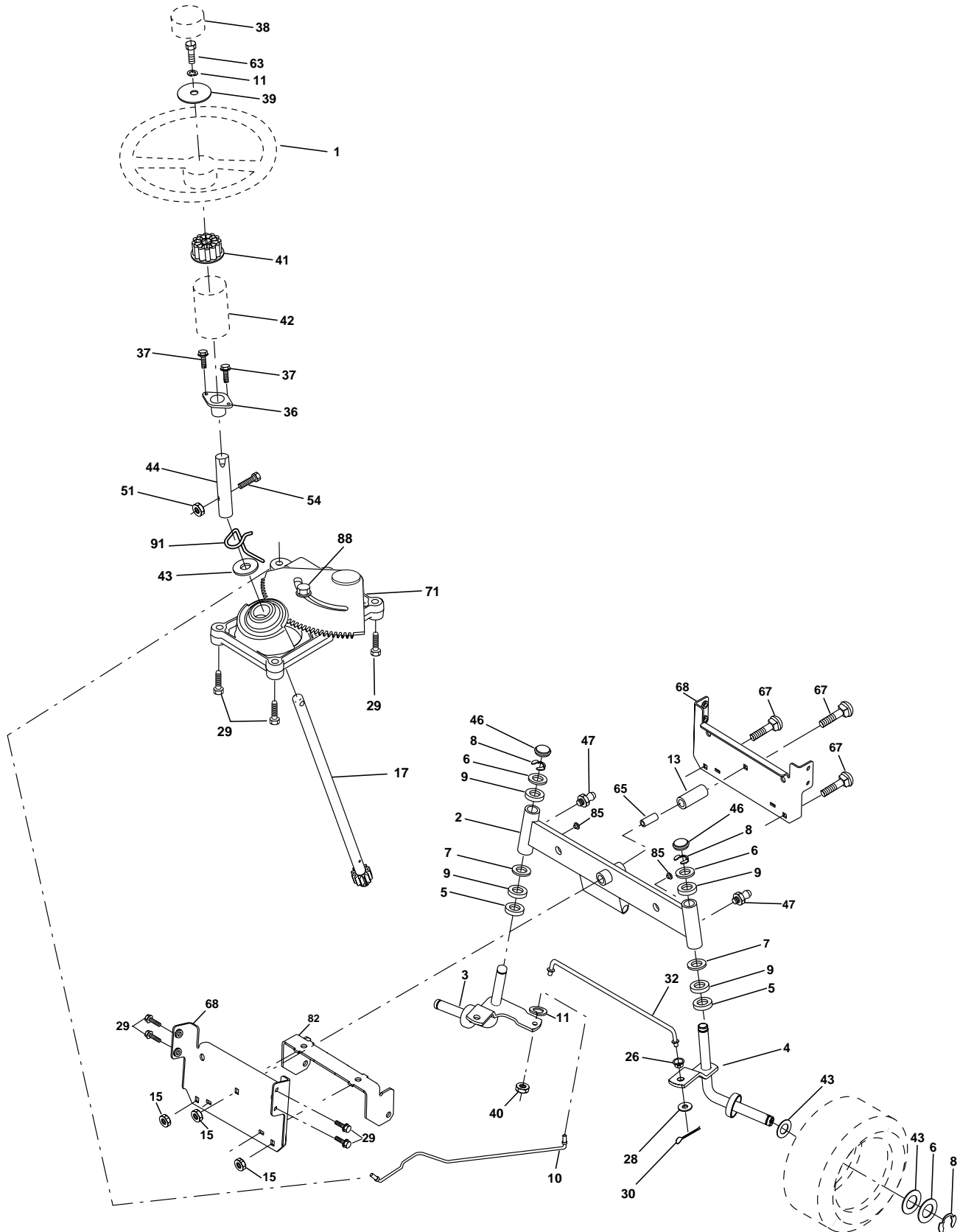
TRACTOR - MODEL NO. LT13A (JLTA13B), PRODUCT NO. 954 13 00-46
DRIVE

KEY NO.	PART NO.	DESCRIPTION	KEY NO.	PART NO.	DESCRIPTION
1	-----	Transaxle Hydro Gr 322-0510 (Order parts from transaxle manufacturer)	66	532154778	Keeper Belt Engine
8	532165866	Rod Shift Fender STLT	70	532134683	Guide Belt Mower Drive RH
10	876020416	Pin Cotter 1/8 x 1 CAD	71	532169183	Strap Torque Lh Hydro
14	810040400	Washer Lock Hvy Helical 1/4	73	532169182	Strap Torque Rh Hydro
15	874490544	Bolt Hex Flg Hd 5/16-18 X Gr.5	74	532137057	Spacer, Axle
16	873800500	Nut Lock Hex W/Ins. 5/16-18 Unc P	75	532121749	Washer 25/32 x 1-1/4 x 16 Gauge
19	873800600	Nut Lock Hex W/Wsh 3/8-16 Unc	76	812000001	E-Ring
21	532121274	Knob, Duckhead	77	532123583	Key, Square
22	532169498	Rod, Brake Hydro	78	532121748	Washer 25/32 x 1-5/8 x 16 Gauge
24	873350600	Nut	81	532165596	Shaft Asm. Cross Hydro
25	532106888	Spring, Brake Rod	82	532165711	Spring Torsion T/A
26	819131316	Washer	83	819171216	Washer 17/32 x 3/4 x 16 Ga.
27	876020412	Pin Cotter 1/8 x 3/4 CAD.	84	532169843	Link Transaxle
28	532175765	Rod, Parking Brake	89	532166602	Console, Shift
29	532071673	Cap, Parking Brake	90	532124346	Nut Self-Thd wsh-Hd 1/4 Zinc
30	532174973	Bracket, Transaxle	95	532170201	Control Asm Bypass Hydro
32	874760512	Bolt Hex Hd 5/16-18 Unc x 3/4	96	532124788	Retainer Spring 1" Zinc/Cad
34	532175578	Shaft, Foot Pedal	103	873940800	Nut Hex Jam Toplock 1/2-20
35	532120183	Bearing, Nylon	116	872140608	Bolt 3/8-16 x 1.0
36	819211616	Washer	120	873900600	Nut Flg Lock 3/8-16 Unc
37	532124963	Pin, Roll	150	532175456	Bushing
38	532165936	Pulley, Idler, Flat	151	819133210	Washer 13/32 x 2 x 10 Ga.
39	874760648	Bolt Fin Hex 3/8-16 Unc x 3	156	532166002	Washer Srrtd 5/16 ID x1.0 x .125 Tk
40	532175461	Spacer, Split	158	532165589	Bracket Shift Mount
41	532175556	Keeper, Belt Idler	159	532165494	Hub Tapered Flange Shift LT
42	819131312	Washer 13/32 x 13/16 x 12 Gauge	161	872140406	Bolt Rdhd Sqnk 1/4-20 x 3/4 Gr. 5
47	532127783	Pulley, Idler, V-Groove	162	873680400	Nut Crownlock 1/4-20 Unc
48	532154407	Bellcrank Clutch Grnd Drv Stl	163	874780416	Bolt Hex Fin 1/4-20 unc x 1 Gr. 5
49	532123205	Retainer, Belt	164	819091010	Washer 5/8 x .281 x 10 Ga
50	874760624	Bolt Hex 3/8-16 Unc x 1-1/2	165	532165623	Bracket Pivot Lever
51	873680600	Nut Crownlock 3/8-16	166	532166880	Screw 5/16-18 x 5/8 TT Yellow
52	873680500	Nut Crownlock 5/16-18	168	532165492	Bolt Shoulder 5/16-18 x .561 TT
53	532105710	Link, Clutch	169	532165580	Plate Fastening Cross Shf. STLT/ CRD
55	532105709	Spring, Return, Clutch	197	532169613	Nyliner Snap-In 5/8" ID
56	817060616	Bolt Fin Hex 3/8-16 UNC x 1-1/4	198	532169593	Washer Nyl 7/8 ID x .105 HYD CRD
57	532140294	V-Belt, Ground Drive	199	532169612	Bolt Shoulder 5/16-18 Unc
59	532169691	Keeper, Center Span	200	872140508	Bolt Rdhd Sqnk 5/16-18 Unc x 1
61	817060612	Screw 3/8-16 x 3/4	202	872110612	Bolt Carr Sh 3/8-16 x 1-1/2 Gr. 5
62	532124872	Cover, Pedal	205	819171616	Washer 17/32 x 1 x 16
63	532175410	Pulley, Clutch Eng	212	532145212	Nut Hex Flg Lock
64	871170764	Bolt Hex 7/16-20 x 4 Ga. 5			
65	810040700	Washer			

NOTE: All component dimensions given in U.S. inches
1 inch = 25.4 mm

REPAIR PARTS

TRACTOR - MODEL NO. LT13A (JLTA13B), PRODUCT NO. 954 13 00-46
STEERING ASSEMBLY



REPAIR PARTS

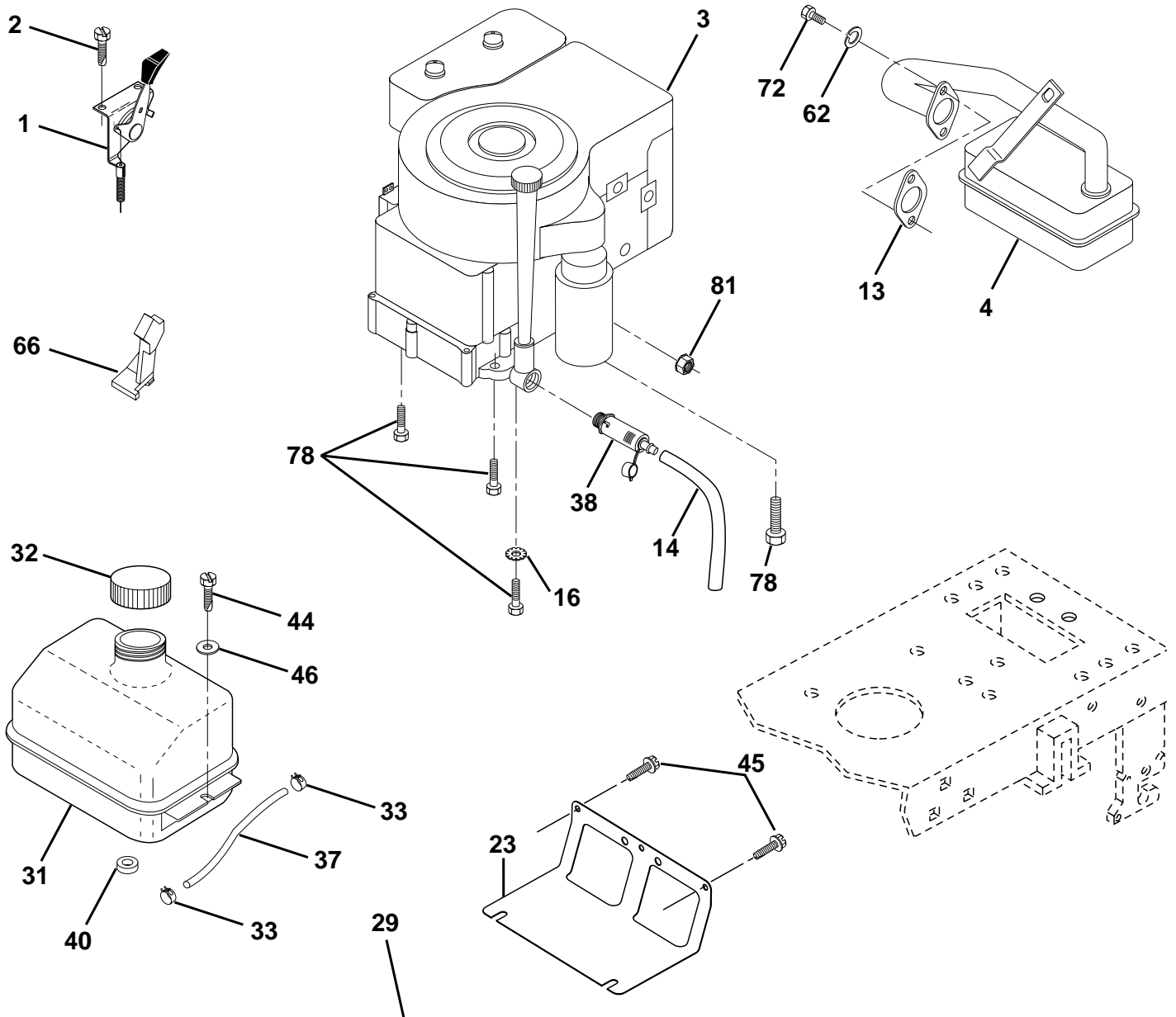
TRACTOR - MODEL NO. LT13A (JLTA13B), PRODUCT NO. 954 13 00-46 STEERING ASSEMBLY

KEY NO.	PART NO.	DESCRIPTION
1	532172092	Wheel Steering
2	532154427	Axle Asm STMP Dropped STL
3	532169840	Spindle Asm LH
4	532169839	Spindle Asm RH
5	532124931	Bearing Race Thrust Harden
6	532121748	Washer 25/32 X 1-5/8 X 16 Ga
7	819272016	Washer 27/32 X 1-1/4 X 16 Ga
8	812000029	Ring Klip #t5304-75
9	532124937	Bearing Col Strg Blk
10	532175121	Link Drag
11	810040600	Washer Lock Hvy Hlcl Spr 3/8
13	532136518	Bearing Axle STL/GT
15	532145212	Nut Hexflange Lock
17	532177876	Shaft Asm Strg
26	532126847	Bushing Link Drag Blk LR
28	819131416	Washer 13/32 X 7/8 X 16 Ga
29	817060612	Screw 3/8-16x3/4 SMGML
30	876020412	Pin Cotter 1/8 X 3/4 Cad
32	532130465	Rod Tie Wire Form 19 75 Mech
36	532155099	Bushing Strg
37	532152927	Screw
38	532172093	Insert Cap Strg Wh
39	819132411	Washer 13/32 X 1-1/20 x 11
40	532124701	Lock nut
41	532159945	Adaptor Wheel Strg
42	532169633	Boot Steering Shaft
43	532121749	Washer 25/32 X 1 1/4 X 16 Ga
44	532153720	Extension Steering Shaft LR/LT
46	532121232	Cap Spindle Fr Top Blk
47	532124836	Fitting Grease
51	873800500	Nut Lock Hex w/Ins 5/16-18
54	874780520	Bolt Fin Hex 5/16-18 Unc x 1-1/4
63	874780616	Bolt Fin Hex 3/8-16unc x 1 Gr. 5
65	532160367	Spacer Axle
67	872140618	Bolt RDHD SQNK 3/8-16 x 2-1/4
68	532169827	Axle, Brace
71	532175146	Steering Asm
82	532169835	Bracket Susp Chassis Front
85	532133835	Fastner Christmas Tree
88	532175118	Bolt Shoulder 7/16-20 Unc
91	532175553	Clip Steering

NOTE: All component dimensions given in U.S. inches.
1 inch = 25.4 mm.

REPAIR PARTS

TRACTOR - MODEL NO. LT13A (JLTA13B), PRODUCT NO. 954 13 00-46
ENGINE



OPTIONAL EQUIPMENT
Spark Arrester

REPAIR PARTS

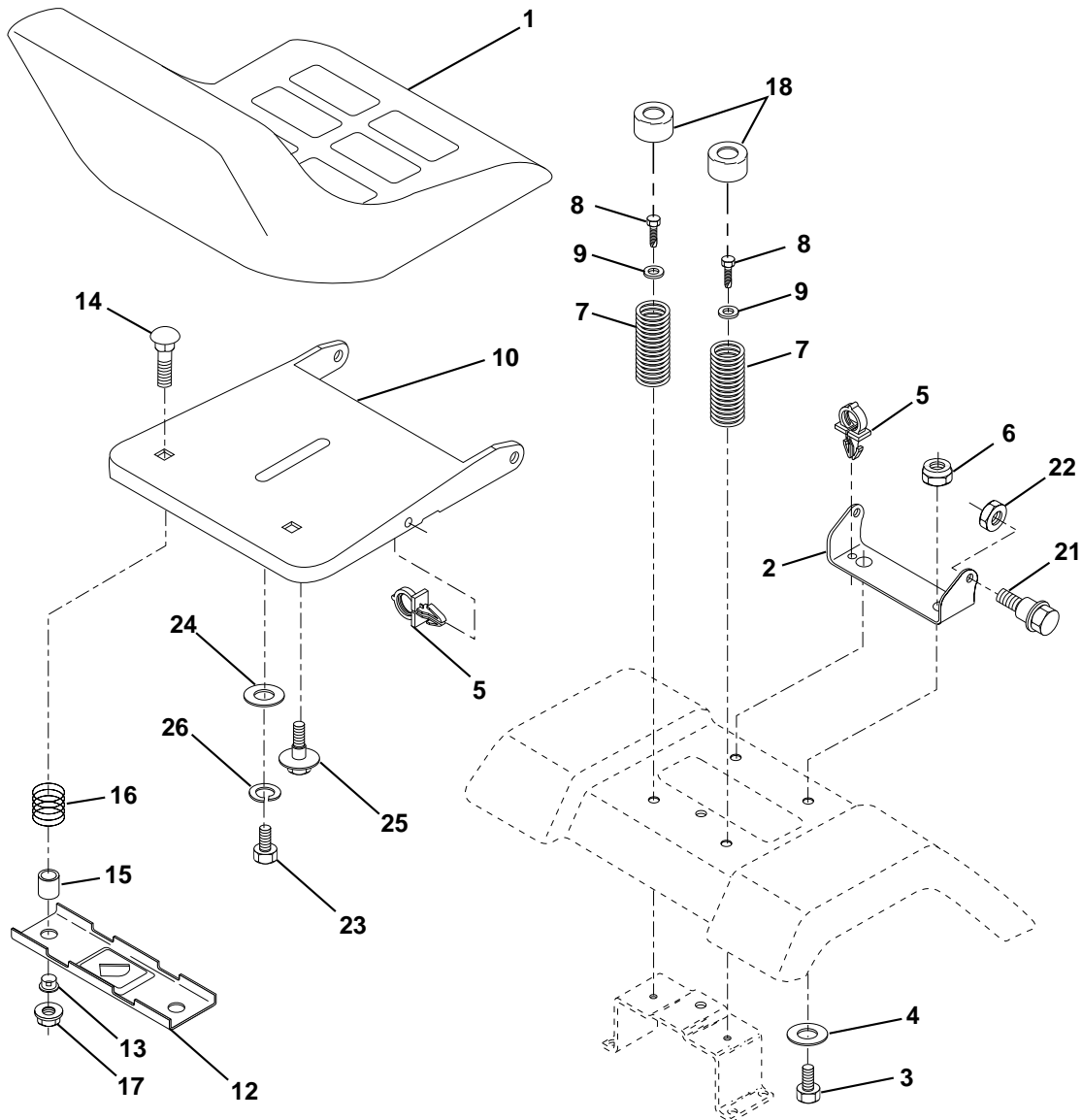
TRACTOR - MODEL NO. LT13A (JLTA13B), PRODUCT NO. 954 13 00-46
ENGINE

KEY NO.	PART NO.	DESCRIPTION
1	532170865	Control Th/ch LH Flag
2	817720410	Screw Hex Thd Cut 1/4-20x5/8 T
3	-----	Engine B&S Model No. 28R707 (Order parts from engine manufacturer)
4	532137348	Muffler
13	532165291	Gasket
14	532148456	Tube Drain Oil Easy
16	811050600	Washer Lock Ext Tooth 3/8
23	532169837	Shield Brn/Dbr Guard
29	532137180	Kit Spark Arrestor (Flat Scrn)
31	532109202	Tank Fuel Front
32	532140527	Cap Asm Fuel W/sym Vented
33	532123487	Clamp Hose Black
37	532137040	Line Fuel 20"
38	532148315	Plug Drain Oil Easy
40	532124028	Bushing Snap Nyl Blk Fuel Line
44	817670412	Screw Hexwsh Thdrol 1/4-20x3/4
45	817000612	Screw 3/8-16 x 3/4
46	819091416	Washer 9/32 X 7/8 X 16 Ga
62	810040500	Washer Lock Hvy Hlcl Spr 5/16
66	532127951	Stop Throttle 3000 RPM
72	871070512	Screw Hexhd Cap 5/16-18 x 3/4
78	817060620	Screw 3/8-16 x 1-1/4 SMGML
81	873510400	Nut Keps Hex 1/4-20

NOTE: All component dimensions given in U.S. inches
1 inch = 25.4 mm

REPAIR PARTS

TRACTOR - MODEL NO. LT13A (JLTA13B), PRODUCT NO. 954 13 00-46
SEAT ASSEMBLY



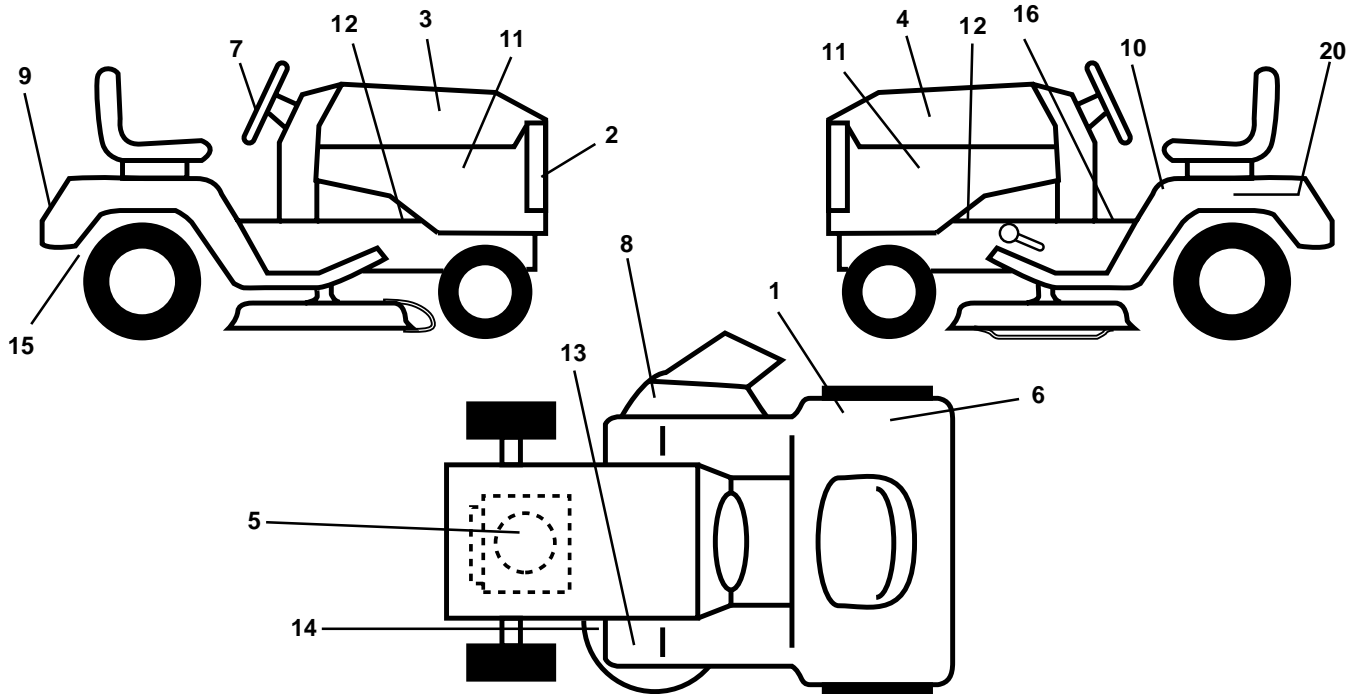
KEY NO.	PART NO.	DESCRIPTION
1	532140117	Seat
2	532140551	Bracket Pivot Seat 8 720
3	871110616	Bolt Fin Hex 3/8-16 Unc x 1
4	819131610	Washer 13/32 X 1 X 10 Ga
5	532145006	Clip Push-In
6	873800600	Nut Hex w/Ins. 3/8-16 Unc
7	532124181	Spring Seat Cprsn 2 250 Blk Zi
8	817000616	Screw 3/8-16 x 1.5 SMGML
9	819131614	Washer 13/32 X 1 X 14 Ga.
10	532174894	Pan Seat
12	532121246	Bracket Mounting Switch
13	532121248	Bushing Snap Blk Nyl 50 Id
14	872050412	Bolt Rdhd Sqnk 1/4-20x1-1/2

KEY NO.	PART NO.	DESCRIPTION
15	532134300	Spacer Split 28x96 Yel Zinc
16	532121250	Spring Cprsn 1.27 Blk Pnt
17	532123976	Nut Lock 1/4 Lge Flg Gr 5 Zinc
18	532124238	Cap Spring Seat
21	532171852	Bolt SHLD 5/16-18 Unc-2A
22	873800500	Nut Hex Lock W/Ins 5/16-18
23	871110814	Bolt Hex
24	819171912	Washer 17/32 X 1-3/16 X 12 Ga.
25	532127018	Bolt Shoulder 5/16-18 X 62
26	810040800	Washer Lock Hvy HLCL Spr. 1/2

NOTE: All component dimensions given in U.S. inches.
1 inch = 25.4 mm

REPAIR PARTS

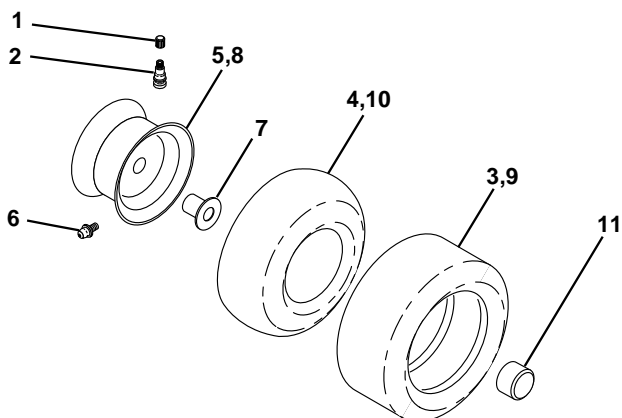
TRACTOR - MODEL NO. LT13A (JLTA13B), PRODUCT NO. 954 13 00-46
DECALS



KEY NO.	PART NO.	DESCRIPTION
1	532126187	Decal 100 DBA
2	532152262	Decal Grille
3	532175887	Decal Hood RH
4	532175888	Decal Hood LH
5	532170848	Decal HP Engine
6	532145437	Decal Europe Stand CE
7	532170565	Decal, Ins. Strg Whl.
8	532145494	Decal Mower Cutfinger
9	532141761	Decal Fender Jonsered
10	532145498	Decal Read Owner's Manual Syms.
11	532162927	Decal Hood Insert B&S White

KEY NO.	PART NO.	DESCRIPTION
12	532159736	Decal Chassis Hot Muffler
13	532159737	Decal Brake/Clutch Symbol LT
14	532136832	Decal V-Belt Schematic
15	532162598	Decal Drawbar Load Limit
16	532140837	Decal Saddle Brake Parking
20	532145005	Decal Bat Dan/Psn
--	532171284	Pad Footrest LH STLT
--	532171285	Pad Footrest RH STLT
--	532138311	Decal Handle Lift Height Adjust
--	532169210	Decal By-Pass
--	532176487	Manual Operator's (Euro.)
--	532176488	Manual Operator's (Scan.)

WHEELS & TIRES

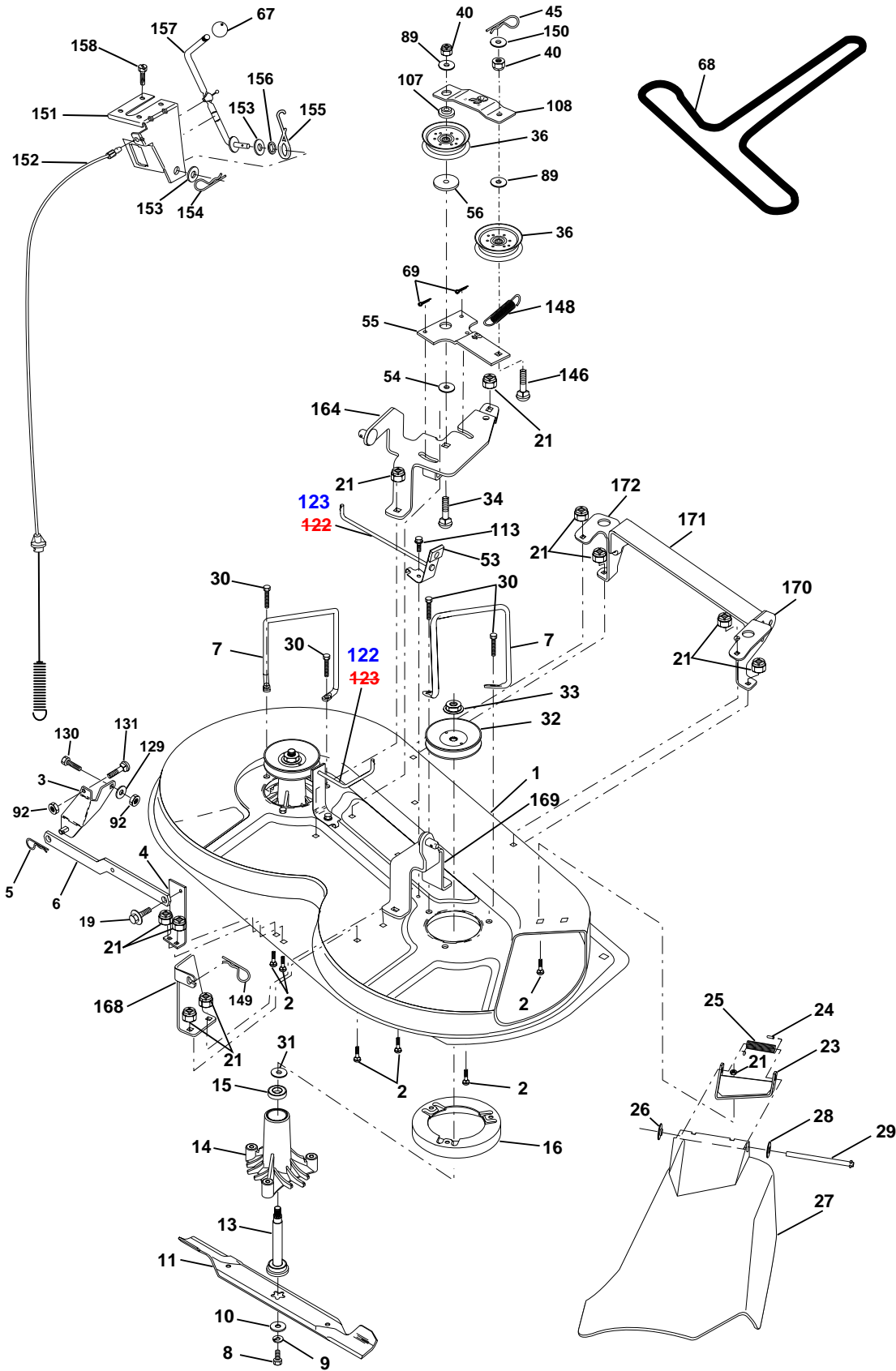


KEY NO.	PART NO.	DESCRIPTION
1	532059192	Cap Valve Tire
2	532065139	Stem Valve
3	532106222	Tire F Ts 15 X 6 0 - 6 Service
4	532059904	Tube Front (Service Item Only)
5	532138336	Rim Asm 6"front Silver Service
6	532124957	Fitting Grease (Front Wheel Only)
7	532124959	Bearing Flange (Front Wheel Only)
8	532138337	Rim Asm 8"rear Silver Service
9	532124635	Tire R Ts 18x9 5-8 C Service
10	532124926	Tube Rear (Service Item Only)
11	532175039	Cap Axle Blk 1 50 X 1 00
--	532144334	Sealant, Tire (10 oz. Tube)

NOTE: All component dimensions given in U.S. inches
1 inch = 25.4 mm

REPAIR PARTS

TRACTOR - MODEL NO. LT13A (JLTA13B), PRODUCT NO. 954 13 00-46
MOWER DECK



REPAIR PARTS

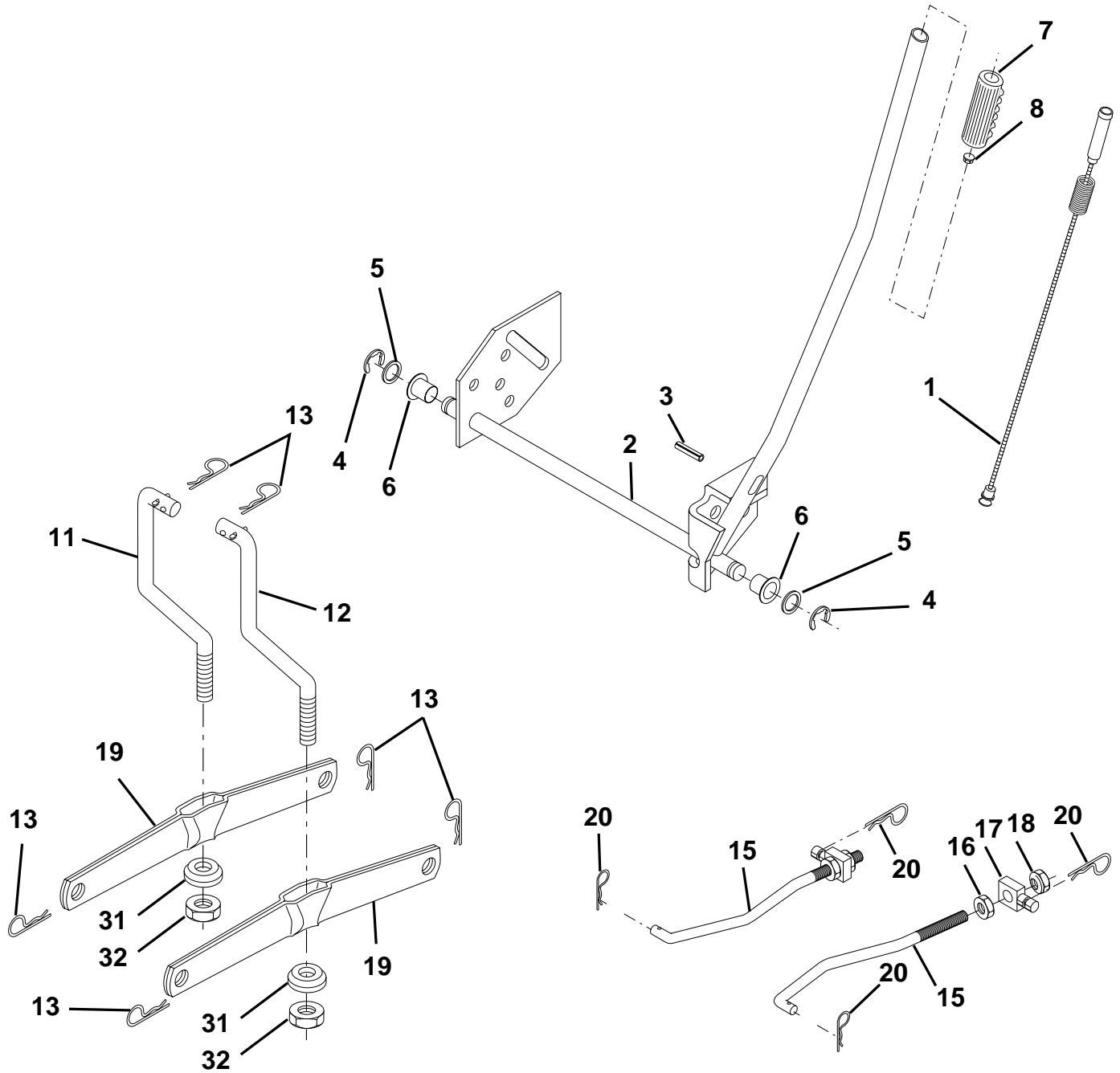
TRACTOR - MODEL NO. LT13A (JLTA13B), PRODUCT NO. 954 13 00-46
MOWER DECK

KEY NO.	PART NO.	DESCRIPTION	KEY NO.	PART NO.	DESCRIPTION
1	532174595	Mower Deck Assembly	68	532174978	Belt
2	872140506	Bolt	69	876020312	Pin, Cotter 3/32 x 3/4
3	532138017	Bracket Assembly, Sway Bar	89	819131612	Washer 13/32 x 1 x 12 Ga
4	532175654	Bracket Sway Bar	92	873800600	Nut Lock Hex 3/8-16
5	532124670	Retainer Spring	107	532133502	Spacer, Retainer
6	532130832	Arm, Suspension, Rear	108	532133503	Stiffener, Idler Arm
7	532140608	Keeper Belt	113	817490508	Screw Thdrol 5/16-18 x 1/2
8	532850857	Bolt, Hex 3/8-24 x 1.25 Gr. 8	122	532174505	Rod, Brake, LH
9	810030600	Washer, Lock Hvy Hlcl 3/8	123	532174504	Rod, Brake, RH
10	532140296	Washer, Hardened	129	819131312	Washer 13/32 x 13/16 x 12 Ga.
11	532138496	Blade, Mower	130	874780616	Bolt Fin Hex 3/8-16 x 1.0
13	532137645	Shaft Assembly, Mandrel, Vented	131	872140608	Bolt RDHD 3/8-16 x 1
14	532128774	Housing, Mandrel, Vented	146	532165891	Bolt Carriage Idler
15	532110485	Bearing, Ball, Mandrel	148	532169022	Spring Return Idler
16	532174493	Stripper, Mower Deck	149	532165898	Retainer Spring Yellow Zinc
19	532132827	Bolt, Shoulder	150	819091216	Washer 9/32 x 3/4 x 16 Ga.
21	873680500	Nut Crownlock 5/16-18	151	532169670	Bracket Clutch
23	532136631	Bracket, Mower Deflector	152	532176079	Cable Clutch
24	532105304	Cap, Sleeve	153	532169674	Washer Flat 3/8" Type B
25	532123713	Spring, Torsion, Deflector	154	532169675	Spring Retainer
26	532110452	Nut, Push	155	532169671	Spring Retention Lever
27	532176162	Shield, Deflector	156	532169672	Spacer
28	819111016	Washer 11/32 x 5/8 x 16 Ga.	157	532169669	Rod Clutch
29	532121980	Rod, Hinge	158	817720410	Screw Hex Thd Cut 1/4-20x5/8
30	532157722	Screw Thdrol Washer Head	164	532174976	Bracket Asm Idler Support
31	532129963	Washer, Spacer	168	532172377	Bracket Deck Cable
32	532153531	Pulley, Mandrel	169	532174977	Bracket Asm Suspension
33	532137266	Nut, Toplock, Flanged	170	532172359	Bracket Suspension RF
34	872110614	Bolt Rdhd 3/8-16 x 1-3/4	171	532165237	Brace Support Susp. Frt
36	532131494	Pulley, Idler, Flat	172	532172355	Bracket Suspension LF
40	873680600	Nut Crownlock 3/8-16	--	532130794	Mandrel Assembly (Includes Key Numbers 13-15, 17-19, 31 and 33)
45	532124788	Retainer, Spring	--	532175254	Mower Deck, Complete
53	532130840	Brake Assembly			
54	532133943	Washer, Hardened			
55	532133840	Idler Arm Assembly			
56	532165723	Spacer, Retainer			
67	532106932	Knob RD 3/8-16 Plstc Thd			

NOTE: All component dimensions given in U.S. inches
1 inch = 25.4 mm

REPAIR PARTS

TRACTOR - MODEL NO. LT13A (JLTA13B), PRODUCT NO. 954 13 00-46
MOWER LIFT



REPAIR PARTS

TRACTOR - MODEL NO. LT13A (JLTA13B), PRODUCT NO. 954 13 00-46
MOWER LIFT

KEY NO.	PART NO.	DESCRIPTION
1	532159460	Washer Asm Inner Spring W/Plunger
2	532159471	Shaft Asm. Lift
3	532105767	Pin Groove
4	812000002	E Ring #5133-62
5	819211621	Washer 21/32 x 1 x 21 Ga
6	532120183	Bearing Nylon
7	532109413	Grip Handle
8	532122365	Button Plunger
11	532139865	Link Lift LH
12	532139866	Link Lift RH
13	532124670	Retainer Spring
15	532173288	Link Front
16	873350800	Nut Jam Hex 1/2-13 Unc
17	532130171	Trunnion Blk Zinc
18	873800800	Nut Lock W/Wsh 1/2-13 Unc
19	532139868	Arm Suspension Mower
20	532163552	Retainer Spring
31	532169865	Bearing Pvt. Lift
32	873540600	Nut Crownlock 3/8-24

NOTE: All component dimensions given in U.S. inches
1 inch = 25.4 mm