

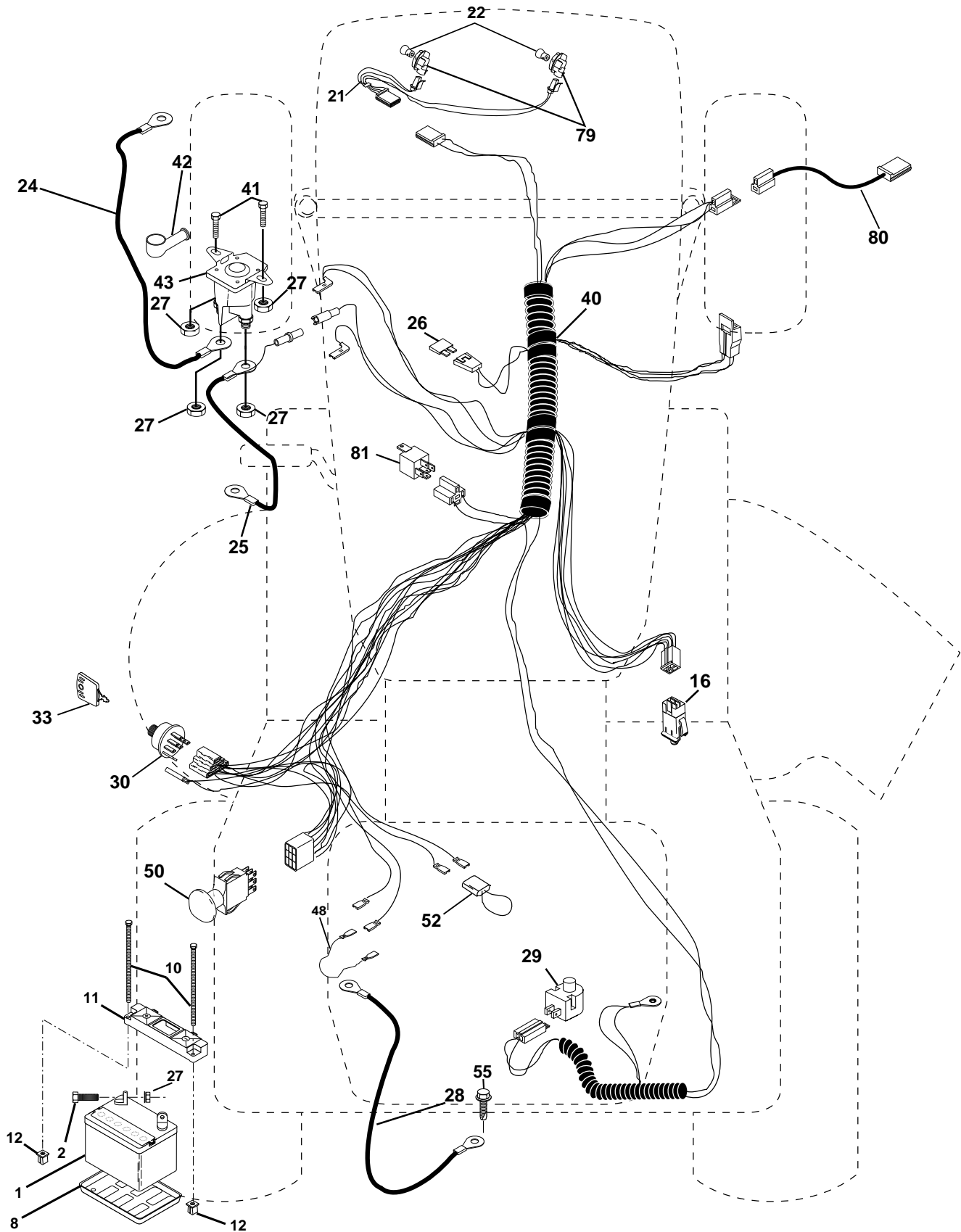
LT16A

Spare parts
Ersatzteile
Pièces détachées
Reserve onderdelen
Repuestos
Reservdelar

REPAIR PARTS

TRACTOR - MODEL NO. LT16A (J816H42J), PRODUCT NO. 954 13 00-48

ELECTRICAL



REPAIR PARTS

TRACTOR - MODEL NO. LT16A (J816H42J), PRODUCT NO. 954 13 00-48

ELECTRICAL

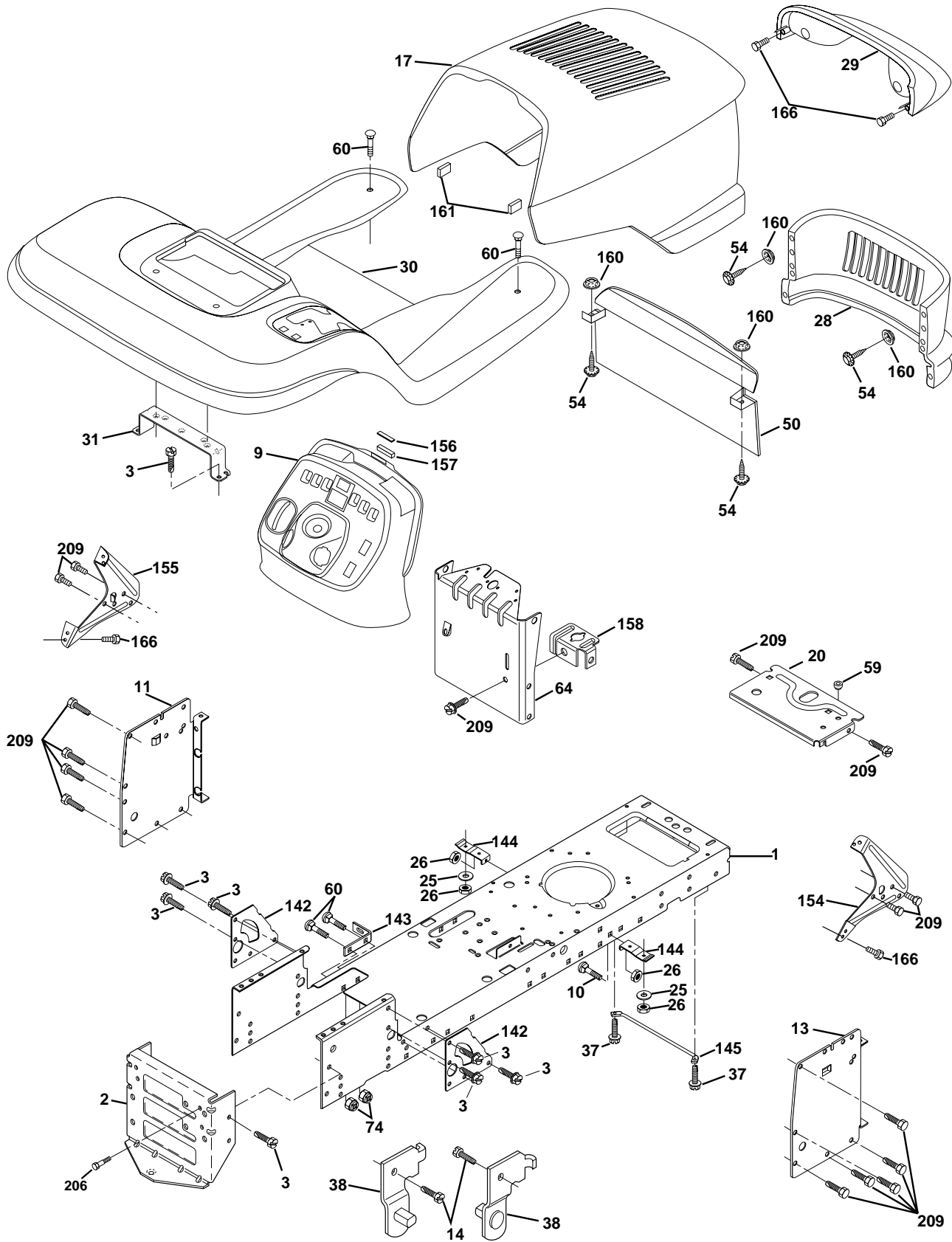
KEY NO.	PART NO.	DESCRIPTION
1	532144925	Battery
2	874760412	Bolt Hex Hd 1/4-20unc X 3/4
8	532124886	Tray Battery 7.80 x 5.25
10	532145211	Bolt Btr Frt 1/4-20 x 7.5
11	532150109	Holddown Battery Front
12	532145769	Nut Push Nylon 1/4
16	532153664	Switch Interlock Push-In
21	532166184	Harness Asm Light W/4152J
22	532004152	Bulb Light #1156
24	532008860	Cable Battery 6 Ga 11"red
25	532146148	Cable Battery 6 Ga W/16 Ga Wire 44"
26	532175158	Fuse 20 AMP
27	873510400	Nut Keps Hex 1/4-20 UNC
28	532145491	Cable Ground
29	532160784	Switch Plunger Normal Op Olive
30	532175566	Switch Ignition Delta Push-In
33	532140401	Key Ign Molded Generic Delta
40	532170233	Harness Ign.
41	817720408	Screw Thd Cut 1/4-20 x 1/2
42	532131563	Cover Terminal Red
43	532175141	Solenoid
48	532140844	Adapter Ammeter
50	532174651	Switch PTO
55	817490508	Screw Thdrol 5/16-18 x 1/2
52	532141940	Protection Wire Loop
79	532163996	Bulb Holder Asm
80	532146685	Harness Clutch Evx
81	532109748	Relay Asm

NOTE: All component dimensions given in U.S. inches
1 inch = 25.4 mm.

REPAIR PARTS

TRACTOR - MODEL NO. LT16A (J816H42J), PRODUCT NO. 954 13 00-48

CHASSIS AND ENCLOSURES



REPAIR PARTS

TRACTOR - MODEL NO. LT16A (J816H42J), PRODUCT NO. 954 13 00-48

CHASSIS AND ENCLOSURES

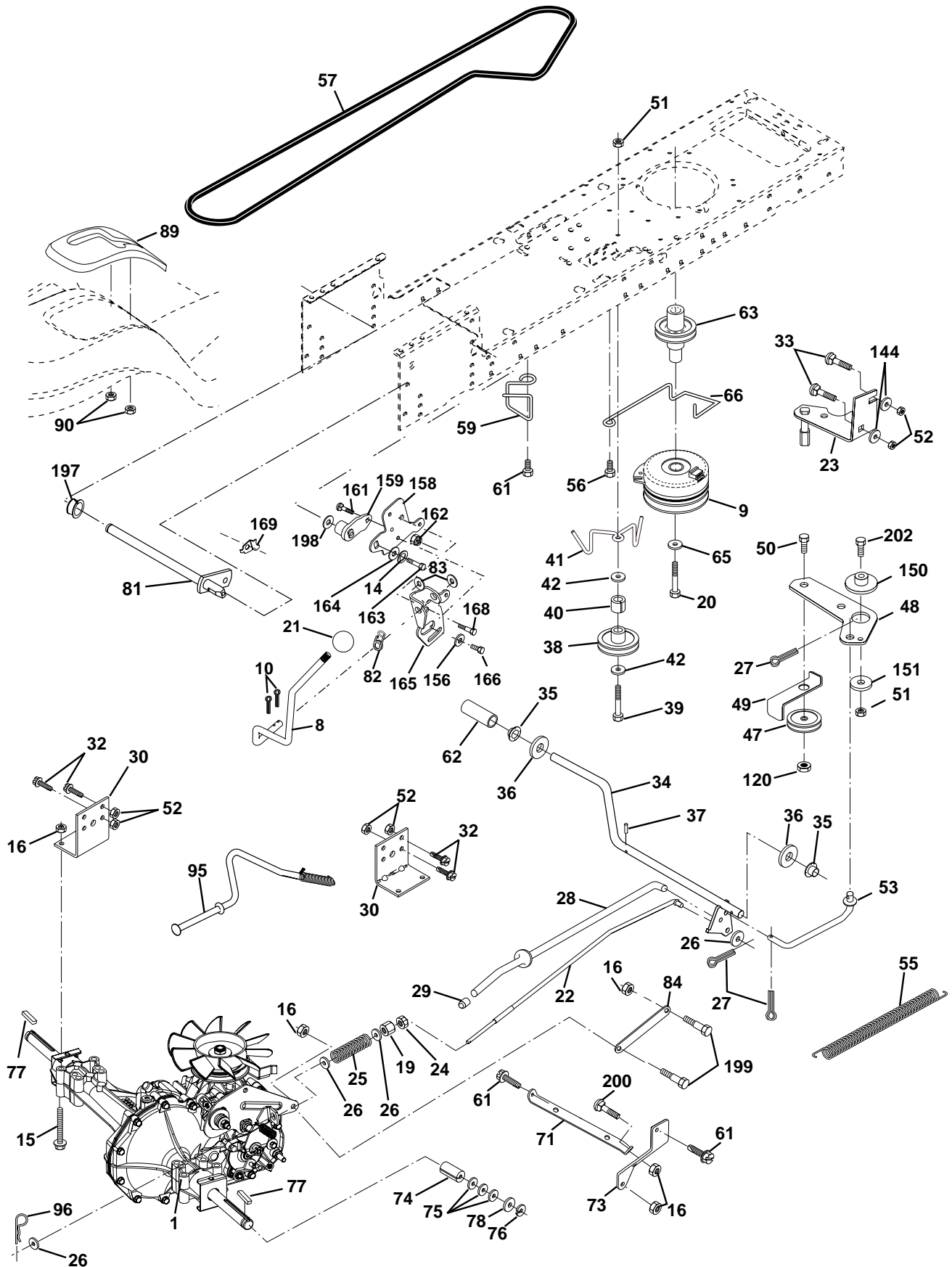
KEY NO.	PART NO.	DESCRIPTION
1	532174619	Chassis Wldmt.
2	532176554	Drawbar 12 Ga
3	817060612	Screw 3/8-16 x .75 SMGML Tap/R.Z
9	532177150	Dash
10	872140608	Bolt RdHd Sqnk. 3/8-16 x 1
11	532167203	Panel Asm. Dash Lh
13	532167202	Panel Dash Rh
14	817490608	Screw Thdrol 3/8-16 x 1/2
17	532177147	Hood Pnt
20	532162026	Plate Mtg Battery
25	819131312	Washer 13/32 x 13/16 x 12 Ga.
26	873800600	Nut Lock Hex w/Ins 3/8-16 Unc
28	532177148	Grill w/Clips
29	532160568	Lens Grille
30	532172157	Fender /Ftrest Pnt STL
31	532139976	Bracket Fender
37	817490508	Screw Thdrol 5/16-18 x 1/2
38	532169834	Bracket Asm. Pvt. Mwr. Rear
50	532161572	Baffle Stealth
54	532161464	Screw Hex Wshd 8-18 x 7/8
59	532110436	Bushing Snap Split
60	872140606	Bolt Rdhd Sqnk 3/8-16 UNC x 3/4
64	532162025	Dash Lower
74	873680600	Nut, Crownlock 3/8-16 UNC
142	532165867	Plate Reinforcement STLT
143	532154966	Brace Axle
144	532154207	Bracket Footrest STLT
145	532156524	Rod Pivot Chassis/Hood
154	532161897	Bracket Dash STL RH
155	532161900	Bracket Dash STL LH
156	532163805	Striker Plate Stealth
157	532163806	Magnet Stealth
158	532162037	Bracket Parking Brake
160	532162967	Fastener Nut Pal
161	532164655	Extrusion Bumper
166	532164863	Screw HWHD Hi Lo 13-16 x 3/4
206	532170165	Bolt Shoulder 5/16-18
209	817000612	Screw Hexwsh Thdr 3/8-16 x 3/4

NOTE: All component dimensions given in U. S. inches
1 inch = 25.4 mm

REPAIR PARTS

TRACTOR - MODEL NO. LT16A (J816H42J), PRODUCT NO. 954 13 00-48

DRIVE



REPAIR PARTS

TRACTOR - MODEL NO. LT16A (J816H42J), PRODUCT NO. 954 13 00-48

DRIVE

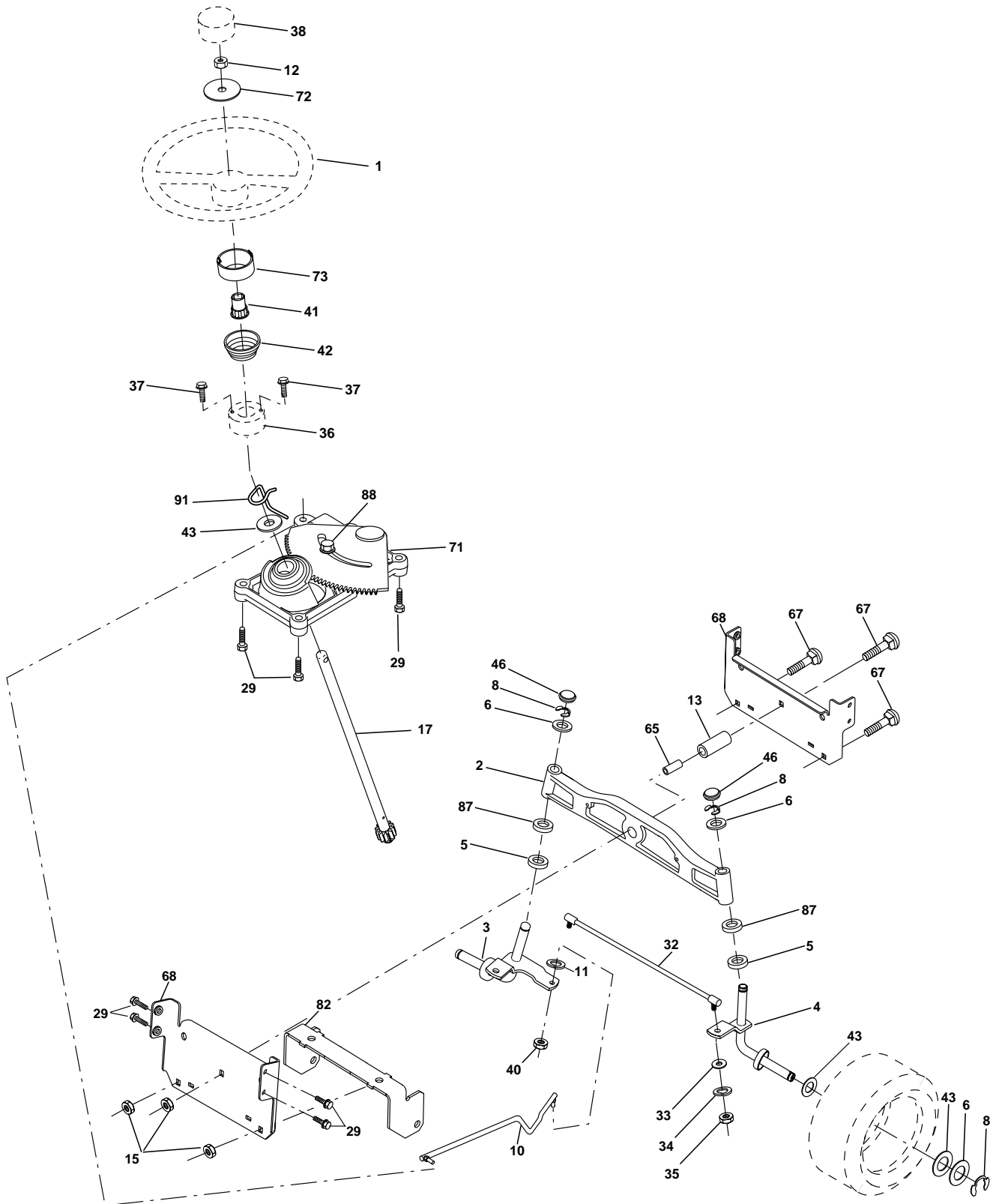
KEY NO.	PART NO.	DESCRIPTION	KEY NO.	PART NO.	DESCRIPTION
1	-----	Transaxle Hydro Gear 314-0510 Order parts from transaxle manufacturer	57	532140294	V-Belt, Ground Drive
8	532165866	Rod Shift Fender	59	532169691	Keeper, Center Span
9	532145028	Clutch Electric	61	817060612	Screw 3/8-16 x .75 SMGML Tap/R.Z
10	876020416	Pin Cotter 1/8 x 1 CAD	62	532124872	Cover, Pedal
14	810040400	Washer Lock Hvy Helical	63	532175414	Pulley, Engine
15	874490544	Bolt Hex Flghd. 5/16-18 Gr.5	65	810040700	Washer
16	873800500	Nut Lock Hex W/Ins. 5/16-18 Unc P	66	532154778	Keeper Belt Engine Hydro
19	873800600	Nut Lock Hex W/Wsh 3/8-16 Unc	71	532169183	Strap Torque Lh Hydro
20	532150280	Bolt, Hex 7/16-20 x 4-1/4	73	532169182	Strap Torque Rh Hydro
21	532130564	Knob Deluxe	74	532137057	Spacer, Axle
22	532169498	Rod, Brake Hydro	75	532121749	Washer 25/32 x 1-1/4 x 16 Ga.
23	532171258	Bracket Asm Anti Rot	76	812000001	E-Ring
24	873350600	Locknut	77	532123583	Key, Square
25	532106888	Spring, Brake Rod	78	532121748	Washer 25/32 x 1-5/8 x 16 Ga.
26	819131316	Washer	81	532165596	Shaft Asm Cross Tapered 510 20"
27	876020412	Pin Cotter 1/8 x 3/4 CAD.	82	532165711	Spring Torsion T/A
28	532175765	Rod, Parking Brake	83	819171216	Washer 17/32 x 3/4 x 16 Ga.
29	532071673	Cap, Parking Brake	84	532169594	Link Transaxle HB-0510
30	532169592	Bracket, Transaxle	89	532166602	Console, Shift
32	874760512	Bolt Hex Hd 5/16-18 Unc x 3/4	90	532124346	Nut, Self Thd Wsh Hd 1/4 Zinc
33	872140506	Bolt Carriage 5/16-18 UNC x 3/4	95	532170201	Control Asm. Bypass Hydro
34	532175578	Shaft, Foot Pedal	96	532124788	Retainer Spring 1" Zinc/Cad
35	532120183	Bearing, Nylon	120	873900600	Nut Lock Flg 3/8-16
36	819211616	Washer	144	819111016	Washer 11/32 x 5/8 x 16 Ga
37	532124963	Pin, Roll	150	532175456	Spacer Retainer
38	532165936	Pulley, Composite, Flat	151	819133210	Washer 13/32 x 2 x 10 Ga.
39	874760648	Bolt Fin Hex 3/8-16 x 3	156	532166002	Washer Srrted 5/16ID x 1.125
40	532175461	Spacer Split	158	532165589	Bracket Shift Mount
41	532175556	Keeper, Belt Idler Flat	159	532165494	Hub Tapered Flange Shift Lt
42	819131312	Washer 13/32 x 13/16 x 12 Gauge	161	872140406	Bolt Rdhd Sqnk 1/4-20 x 3/4 Gr 5
47	532127783	Pulley, Idler, V-Groove	162	873680400	Nut Crownlock 1/4-20 Unc
48	532154407	Bellcrank Grnd Clutch	163	874780416	Bolt Hex Fin 1/4-20 Unc x 1 Gr 5
49	532123205	Retainer, Belt	164	819091010	Washer 5/8 x .281 x 10 Ga
50	874760624	Bolt	165	532165623	Bracket Pivot Lever
51	873680600	Nut	166	532166880	Screw 5/16-18 x 5/8
52	873680500	Nut Crown Lock 5/16-18	168	532165492	Bolt Shoulxder 5/16-18 x .561
53	532105710	Link, Clutch	169	532165580	Plate Fasteneing Lt
55	532105709	Spring, Return, Clutch	197	532169613	Nylinder Snap-In
56	817060616	Screw 3/8-16 x 1.0	198	532169593	Washer Nyl. 7/8 ID x .105"
			199	532169612	Bolt Shoulder 5/16-18
			200	872140508	Bolt Rdhd Sqnk 5/16-18 x 1
			202	872110612	Bolt Carr Sh 3/8-16 x 1-1/2 Gr 5

NOTE: All component dimensions given in U.S. inches
1 inch = 25.4 mm.

REPAIR PARTS

TRACTOR - MODEL NO. LT16A (J816H42J), PRODUCT NO. 954 13 00-48

STEERING ASSEMBLY



REPAIR PARTS

TRACTOR - MODEL NO. LT16A (J816H42J), PRODUCT NO. 954 13 00-48

STEERING ASSEMBLY

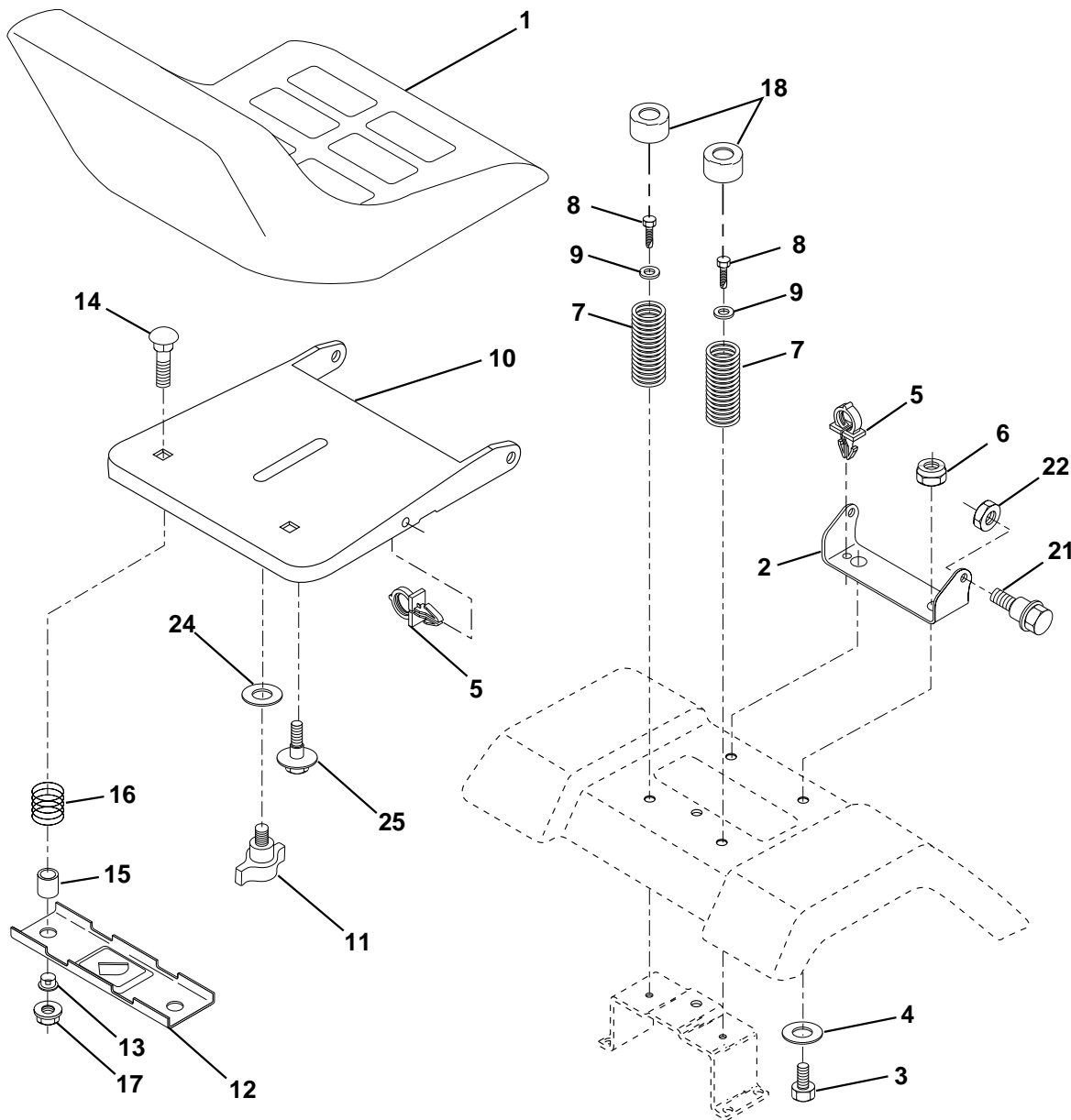
KEY NO.	PART NO.	DESCRIPTION
1	532172092	Wheel Steering
2	532172393	Axle Front Cast Iron
3	532169840	Spindle Asm LH
4	532169839	Spindle Asm Stmp RH
5	532124931	Bearing Race Thrust Harden
6	532121748	Washer 25/32 X 1-5/8 X 16 Ga
8	812000029	Ring Klip #t5304-75
10	532175121	Link Drag
11	810040600	Washer Lock Hvy Hlcl Spr 3/8
12	873940800	Nut Hex Jam Top Lock 1/2-20
13	532136518	Spacer Bearing Axle Front
15	532145212	Nut Hex Flange Lock
17	532177883	Shaft Asm Strg
29	817060612	Screw 3/8-16 x .75 SMGML
32	532171888	Rod Asm Tie Ball J Solid
33	819111216	Washer 11/32 x 3/4 x 16 Ga.
34	810040500	Washer Lock Hvy HLCL Spr. 5/16
35	873540500	Nut Crown Lock 5/16-24
36	532155105	Bushing Strg
37	532152927	Screw TT #32.5 x 5 x 3/8 Flange
38	532172093	Cap Wheel Steer
40	532124701	Nut Lock Center 3/8-24 Unf
41	532159945	Adaptor Wheel Strg
42	532177149	Boot Dash Steering
43	532121749	Washer 25/32 X 1 1/4 X 16 Ga
46	532121232	Cap Spindle Fr Top Blk
65	532160367	Spacer
67	872140618	Bolt Rdhd Sqnk 3/8-16 x 2-1/4
68	532169827	Brace, Axle
71	532175146	Steering Asm
72	819182411	Washer 9/16 x 1-1/20 D.11G
73	532160135	Extension Steering
82	532169835	Bracket Susp Chassis
87	532173966	Washer Flat .781 x 1-1/2 x .14
88	532175118	Bolt Shoulder 7/16-20
91	532175553	Clip Steering

NOTE: All component dimensions given in U.S. inches
1 inch = 25.4 mm.

REPAIR PARTS

TRACTOR - MODEL NO. LT16A (J816H42J), PRODUCT NO. 954 13 00-48

SEAT ASSEMBLY



KEY NO.	PART NO.	DESCRIPTION
1	532140118	Seat
2	532140551	Bracket Pivot Seat 8 720
3	871110616	Bolt Hex 3/8-16unc x 1
4	819131610	Washer 13/32 X 1 X 10 Ga
5	532145006	Clip Push-In Hinged
6	873800600	Nut Lock Hex w/Ins. 3/8-16 Unc
7	532124181	Spring Seat Cprsn 2 250 Blk Zi
8	817000616	Screw 3/8-16 X 1.5 SMGML
9	819131614	Washer 13/32 X 1 X 14 Ga
10	532174894	Pan Seat
11	532166369	Knob Seat Adj Wingnut
12	532121246	Bracket Mounting Switch

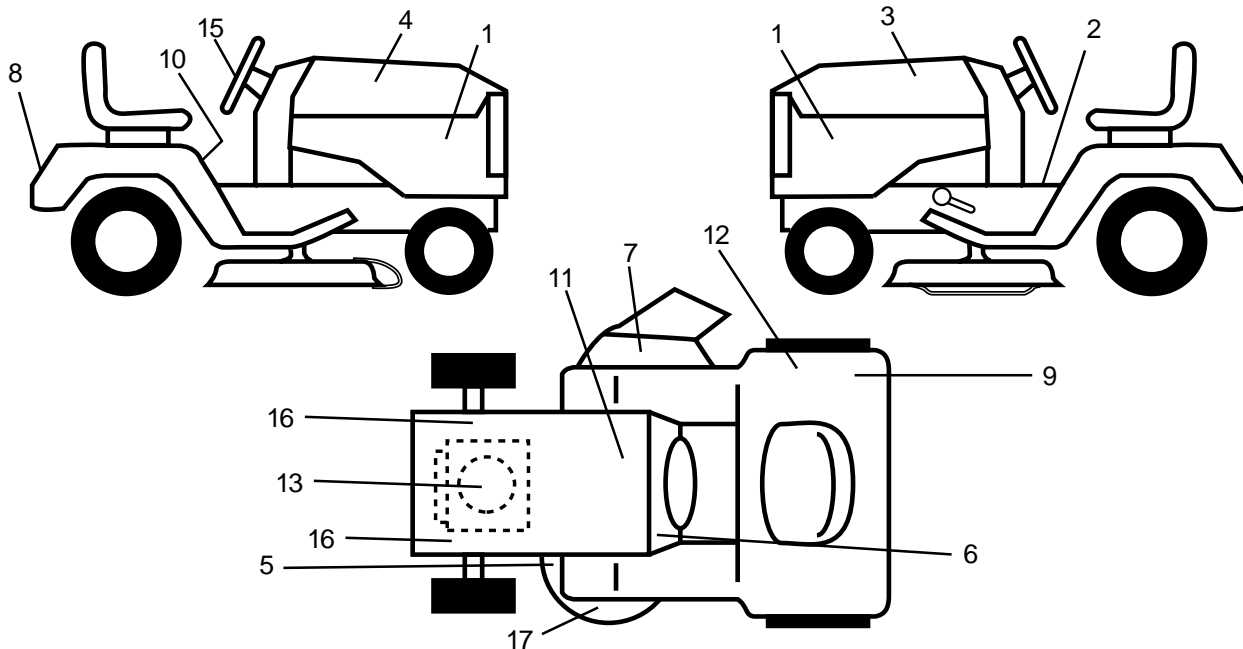
KEY NO.	PART NO.	DESCRIPTION
13	532121248	Bushing Snap Blk Nyl 50 Id
14	872050412	Bolt Rdhd Sht Nk 1/4-20x1-1/2
15	532121249	Spacer Split 28x 88 Zinc
16	532123740	Spring Cprsn 1 310 Blk Pnt
17	532123976	Nut Lock 1/4 Lge Flg Gr 5 Zinc
18	532124238	Cap Spring Seat
21	532171852	Bolt Shoulder 5/16-18 Unc-2A
22	873800500	Nut Lock 5/16-18
24	819171912	Washer 17/32 X 1-3/16 X 12 Ga
25	532127018	Bolt Shoulder 5/16-18 X 62

NOTE: All component dimensions given in U.S. inches
1 inch = 25.4 mm.

REPAIR PARTS

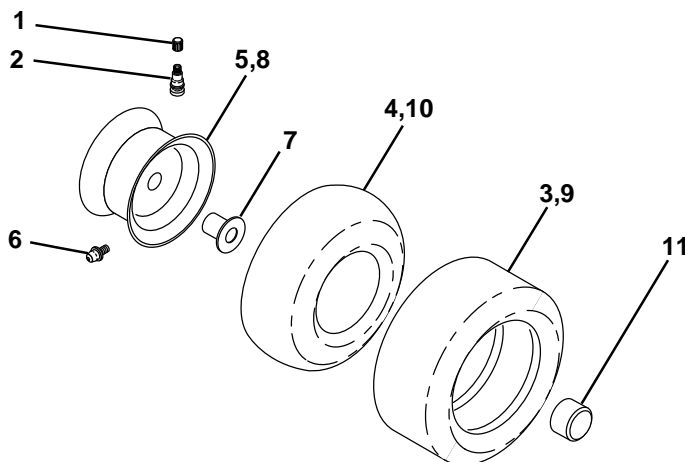
TRACTOR - MODEL NO. LT16A (J816H42J), PRODUCT NO. 954 13 00-48

DECALS



KEY NO.	PART NO.	DESCRIPTION	KEY NO.	PART NO.	DESCRIPTION
1	532162927	Decal Hood Insert B&S White	13	532176400	Decal Engine
2	532140837	Decal, Brake Parking Sandle	15	532170565	Decal, Logo Steering Wheel Cap
3	532175892	Decal, Hood, L. H.	16	532159736	Decal, Chassis Hot Muffler
4	532175891	Decal, Hood, R.H.	17	532159737	Decal, Brake/Clutch Symbol LT
5	532160396	Decal, V-Belt Sch.	--	532162598	Decal, Drawbar Load Limit
6	532176909	Decal, Dash	--	532138311	Decal, Handle Lift Height Adjust. (Lift Handle)
7	532145494	Decal, Mower Cutoffinger Symbol	--	532169210	Decal, By-Pass Lt Hydro
8	532141761	Decal, Logo, Fender	--	532171284	Pad, Footrest LH
9	532126187	Decal, 100 DBA	--	532171285	Pad, Footrest RH
10	532145498	Decal, Read Owners Manual	--	532176875	Manual, Operator's (Euro)
11	532145005	Decal, Bat Dan/Poi P/L Sym	--	532176876	Manual, Operators, (Scan)
12	532145437	Decal, Europe Stand. CE Syms			

WHEELS & TIRES



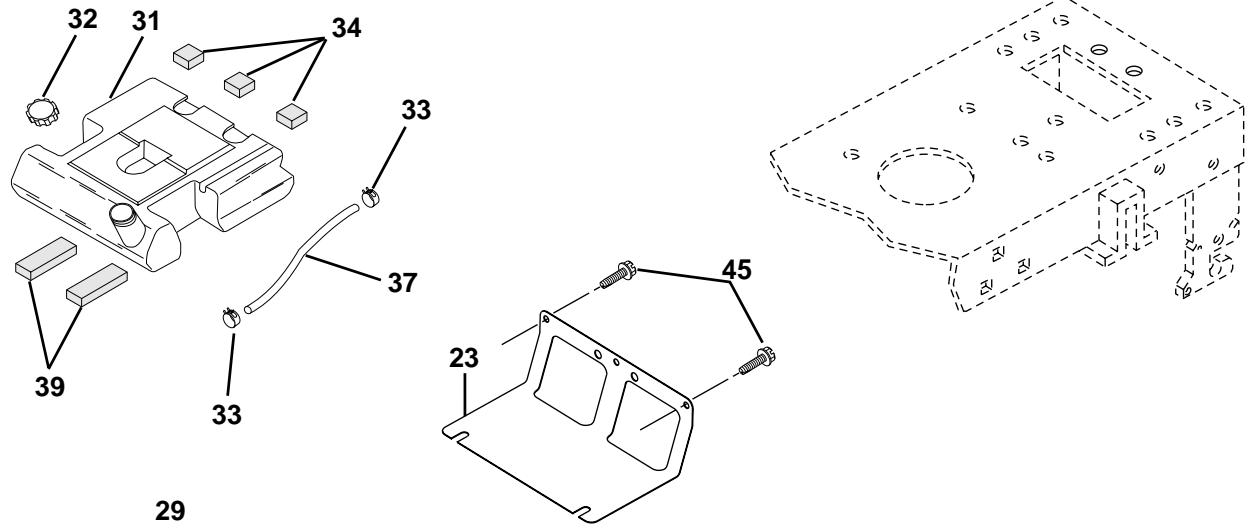
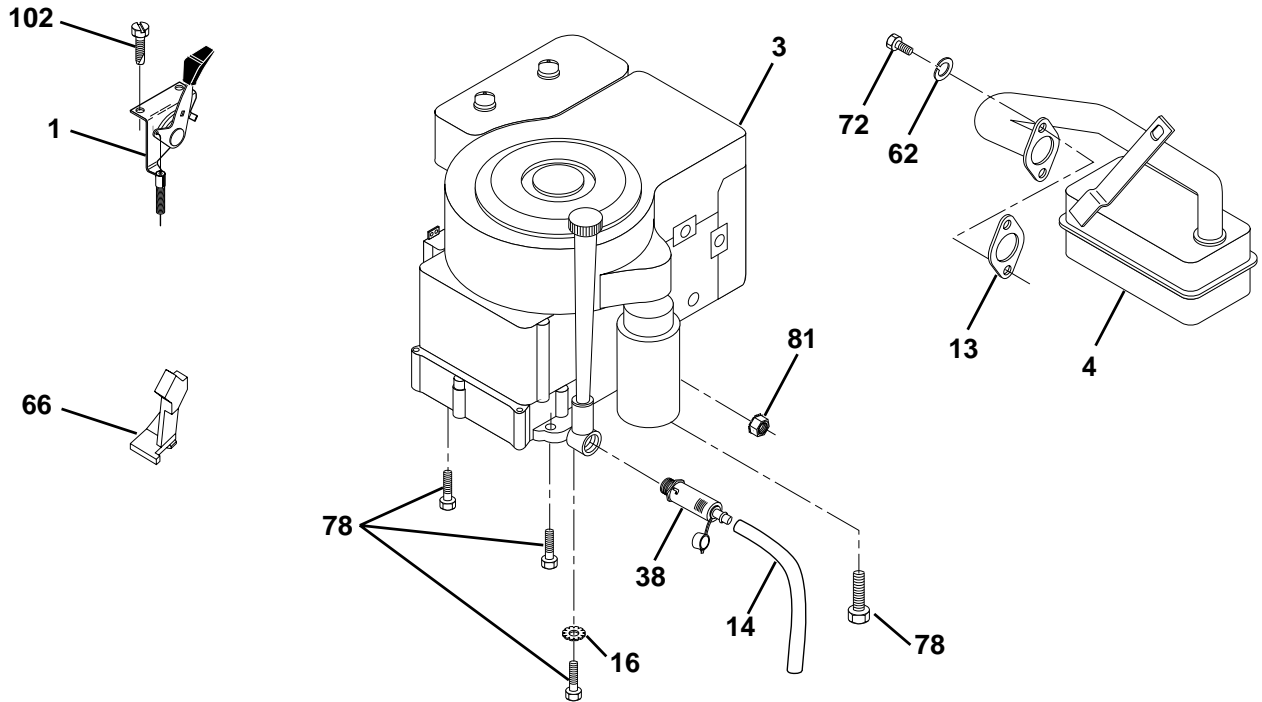
KEY NO.	PART NO.	DESCRIPTION
1	532059192	Cap Valve Tire
2	532065139	Stem Valve
3	532106222	Tire F Ts 15 X 6 0 - 6 Service
4	532059904	Tube Front (Service Item Only)
5	532138336	Rim Asm 6"front Silver Service
6	532124957	Fitting Grease (Front Wheel Only)
7	532124959	Bearing Flange (Front Wheel Only)
8	532138337	Rim Asm 8"rear Silver Service
9	532122082	Tire R Ts 20x10-8 C Service
10	532124926	Tube Rear (Service Item Only)
11	532175039	Cap Axle Blk 1 50 X 1 00
--	532144334	Sealant, Tire (10 oz. tube)

NOTE: All component dimensions given in U.S. inches
1 inch = 25.4 mm

REPAIR PARTS

TRACTOR - MODEL NO. LT16A (J816H42J), PRODUCT NO. 954 13 00-48

ENGINE



OPTIONAL EQUIPMENT
Spark Arrester

REPAIR PARTS

TRACTOR - MODEL NO. LT16A (J816H42J), PRODUCT NO. 954 13 00-48

ENGINE

KEY NO.	PART NO.	DESCRIPTION
1	532173315	Control Th/ch LH Blk
3	-----	Engine Briggs Model No. 311777 (Order parts from engine manufacturer)
4	532137352	Muffler LT B&S 14HP Ic/ohv
13	532165291	Gasket Eng
14	532148456	Tube Drain Oil Easy
16	811050600	Washer Lock Ext Tooth 3/8
23	532169837	Shield Browning/Debris Guard
29	532137180	Kit Spark Arrestor
31	532157103	Tank Fuel
32	532140527	Cap Asm Fuel Top Vented N/Lang
33	532123487	Clamp Hose Black
34	532106082	Pad Spacer 1 x 1 x 1
37	532142158	Line Fuel
38	532148315	Plug Drain Oil Easy
39	532109227	Pad Idler 1.75 x .75 x .06
45	817000612	Screw 3/8-16 x .75 SMGML
62	810040500	Washer Lock Hvy Hlcl Spr 5/16
66	532127951	Stop Throttle
72	871070512	Screw Hexhd Cap 5/16-18x3/4
78	817060620	Screw 3/8-16 x 1-1/4 SMGML
81	873510400	Nut Flange 1/4-20 Starter Nut
102	532164863	Screw HWHD Hi-Lo #13-16 x 3/4

NOTE: All component dimensions given in U.S. inches
1 inch = 25.4 mm

REPAIR PARTS

TRACTOR - MODEL NO. LT16A (J816H42J), PRODUCT NO. 954 13 00-48

MOWER DECK

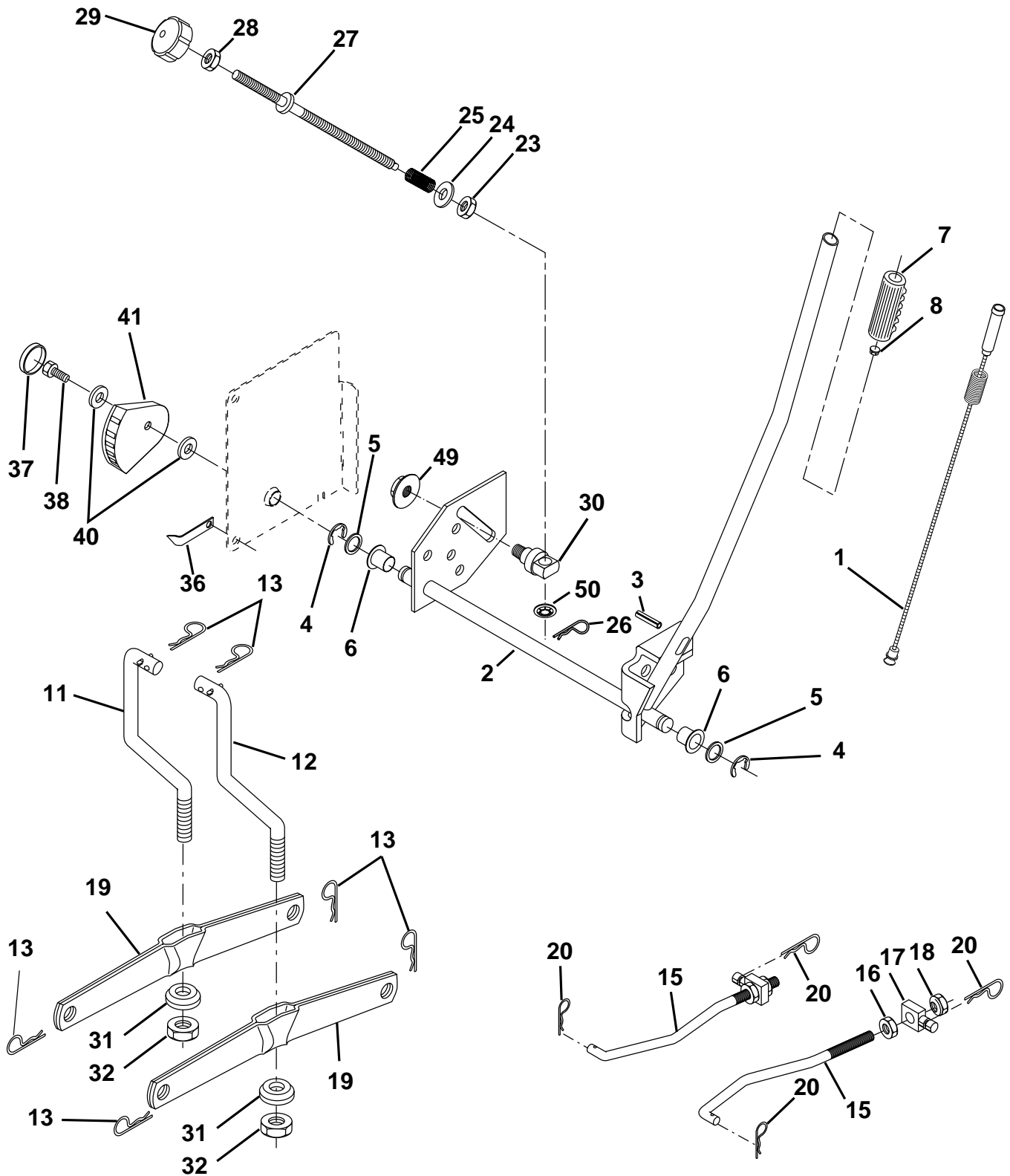
KEY NO.	PART NO.	DESCRIPTION	KEY NO.	PART NO.	DESCRIPTION
1	532165892	Housing Asm Mower 42"94 T-Path	59	532141043	Guard, Belt
2	872140506	Bolt Rdhd Sqnk 5/16-18unc X3/4	61	532174882	Spring Ext. Elect
3	532138017	Bracket Asm Fr Sway Bar 38/42	68	532174883	V-Belt Mower
4	532165460	Bracket Asm Deck 42"sway Bar	90	874760616	Bolt Fin Hex 3/8-16unc X 1
5	532124670	Retainer Spring	91	532132274	Bracket Asm Noseroller LH
6	532130832	Arm Suspension Rear	92	873800600	Nut Lock Hex w/ins. 3/8-16 UNC
8	532850857	Bolt 3/8-24x1 25 Gr8 Patched	93	819171416	Washer 17/32 X 7/8 X 16 Ga
9	810030600	Washer Lock Hvy 3/8 Unplated	94	532132264	Roller Nose 38 & 42
10	532140296	Washer Hard Blade Mower Vented	95	532132273	Bracket Asm Noseroller RH
11	532138498	Blade Mower High Lift"	111	532155197	Bracket Gauge Wheel Lh
13	532137645	Shaft Asm W/lower Bearing	112	532155198	Bracket Gauge Wheel Rh
14	532128774	Housing Mandrel Vented(machd)	113	817060514	Screw 5/16-18
15	532110485	Bearing Ball Mandrel	114	873510500	Nut Keps 5/16-18 UNC
16	532174493	Stripper Mower	115	872110504	Bolt Carriage 5/16-18unc x 1/2
18	872140505	Bolt Carr 5/16-18 X 5/8	116	532124842	Bolt Shoulder
19	532132827	Bolt Shoulder	117	532165746	Wheel Gauge
20	532159770	Baffle Vortex 42	118	873930600	Nut Centerlock 3/8-16 UNC
21	873680500	Nut Crown Lock 5/16-18	119	819121414	Washer 3/8 x 7/8 x 14 Ga.
22	532134753	Stiffener Bracket 42"deck	121	532143723	Bracket Extruded Gauge Wheel
23	532131267	Bracket Deflector Mower 42"	129	819131312	Washer 13/32 x 13/16 x 12 Ga.
24	532105304	Cap Sleeve 80x 112 Blk Mower	130	874780616	Bolt Fin Hex 3/8-16 UNC x 1 Gr. 5
25	532123713	Spring Torsion Deflector 2 52	131	872140608	Bolt Rdhd Sqnk 3/8-16 UNC x1
26	532110452	Nut Push Phos & Oil	143	532157109	Bracket Arm Idler
27	532171859	Shield Deflector	144	532158634	Keeper Belt
28	819111016	Washer 11/32 X 5/8 X 16 Ga	145	532165888	Pulley Idler Flat
29	532131491	Rod Hinge 42"6 75 Wlg	146	532171977	Bolt Carriage Idler
30	532157722	Screw Thd Rolling Washer Head	148	532169022	Spring Return Idler
31	532129963	Washer Spacer Mower Vented	149	532165898	Retainer Spring Yellow
32	532153535	Pulley Mandrel	150	819091216	Washer 9/32 x 3/4 x 16
33	532137266	Nut 9/16top Lock Fing Cntr	159	872140614	Bolt RDHD SQN 3/8-16 x 1-3/4
34	872110614	Bolt RDHD 3/8-16 x 1-3/4	--	532176207	Deck Serv 42" Elec Vent (Standard Deck - Order Nose Roller, Gauge Wheel and Mulcher Plate components separately Key Nos. 90-95, 101-106 and 111-121)
36	532131494	Pulley Idler Flat 3 060	--	532130794	Mandrel Assembly (Includes Key Numbers 8-10, 12-15, 31 and 33)
37	819131316	Washer 13/32 X 13/16 X 16 Ga			
40	873680600	Nut Lock 3/8-16 Unc			
44	532140088	Guard Mandrel LH Black			
45	532124788	Retainer Spring			
46	532137729	Screw Thdrol 1/4-20x5/8			
54	532133943	Washer Hardened			
55	532155046	Arm Idler 42"mower LT/YT			
56	532165723	Spacer Retainer Mower			

NOTE: All component dimensions given in U.S. inches
1 inch = 25.4 mm

REPAIR PARTS

TRACTOR - MODEL NO. LT16A (J816H42J), PRODUCT NO. 954 13 00-48

MOWER LIFT



REPAIR PARTS

TRACTOR - MODEL NO. LT16A (J816H42J), PRODUCT NO. 954 13 00-48

MOWER LIFT

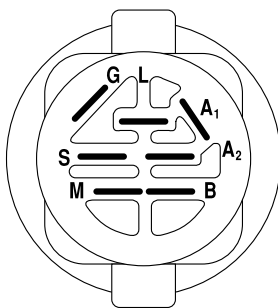
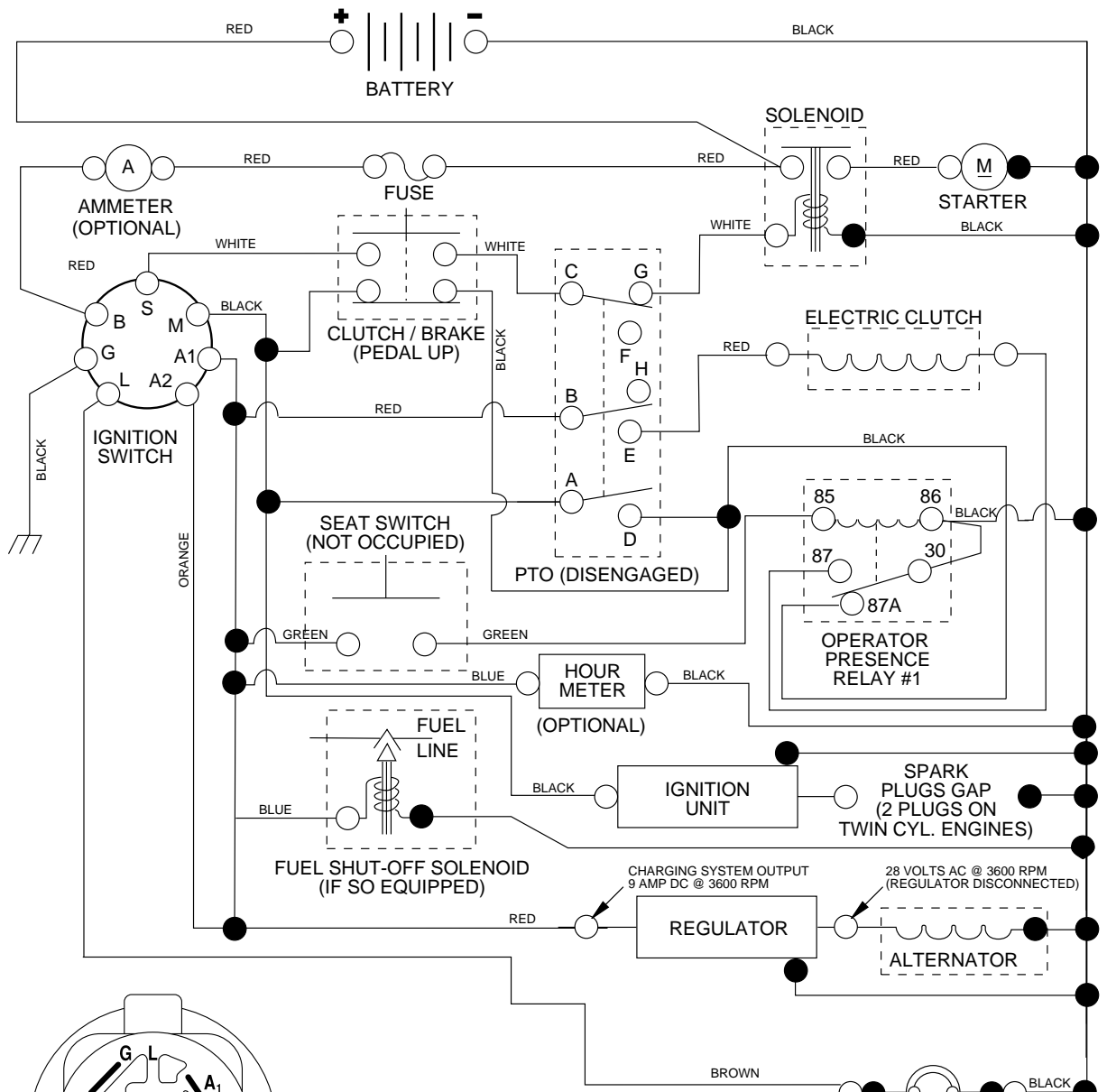
KEY NO.	PART NO.	DESCRIPTION
1	532159461	Wire Asm Inner/Sprg W/plunger LT
2	532159476	Shaft Asm Lift
3	532138284	Pin Groove
4	812000002	E Ring #5133-62
5	819211621	Washer 21/32 X 1 X 21 Ga.
6	532120183	Bearing Nylon Blk 629 Id
7	532125631	Grip Handle Fluted Blk
8	532122365	Button Plunger Red
11	532139865	Link Lift LH Mower
12	532139866	Link Lift RH Mower
13	532124670	Retainer Spring
15	532173288	Link Front
16	873350800	Nut Jam Hex 1/2-13 Unc
17	532130171	Trunnion Blk Zinc
18	873800800	Nut Lock W/wsh 1/2-13unc
19	532139868	Arm Suspension Rear
20	532163552	Retainer Spring
23	532110807	Nut Special
24	819131016	Washer 13/32 x 5/8 x 16 Ga.
25	532164024	Spring Comp Infinite
26	532169484	Retainer Clip
27	532164543	Rod Adj Lift
28	873350600	Nut Hex Jam 3/8-16 UNC
29	532138057	Knob Inf 3/8-16 UNC
30	532150233	Trunnion Inf. Height
31	532169865	Bearing Put Lift
32	873540600	Nut Crownlock 3/8-24
36	532155097	Pointer Height Ind
37	532123935	Plug Hole
38	817060516	Screw 5/16-18 x 1 SMGML Tap/R
40	819112410	Washer 11/32 x 1-1/2 x 10 Ga.
41	532155098	Ind Height STLT
49	532145212	Nut, Hex Flange Lock
50	532110452	Nut Push Phos & Oil

NOTE: All component dimensions given in U.S. inches
1 inch = 25.4 mm

TRACTOR - MODEL NO. LT16A (J816H42J), PRODUCT NO. 954 13 00-48

SCHEMATIC

02408 (WH#170233 REGULATED)



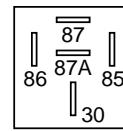
IGNITION SWITCH

POSITION	CIRCUIT	"MAKE"
OFF	M+G+A1	NONE
RUN/LIGHT	B+A1	A2+L
RUN	B+A1	NONE
START	B + S + A1	NONE

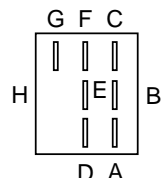
PTO SWITCH

POSITION	CIRCUIT
OFF	C + G, B + H
ON	C + F, B + E, A + D

NON-REMOVABLE CONNECTIONS
 REMOVABLE CONNECTIONS



RELAY



WIRING INSULATED CLIPS
NOTE: IF WIRING INSULATED CLIPS WERE REMOVED FOR SERVICING OF UNIT, THEY SHOULD BE REPLACED TO PROPERLY SECURE YOUR WIRING.