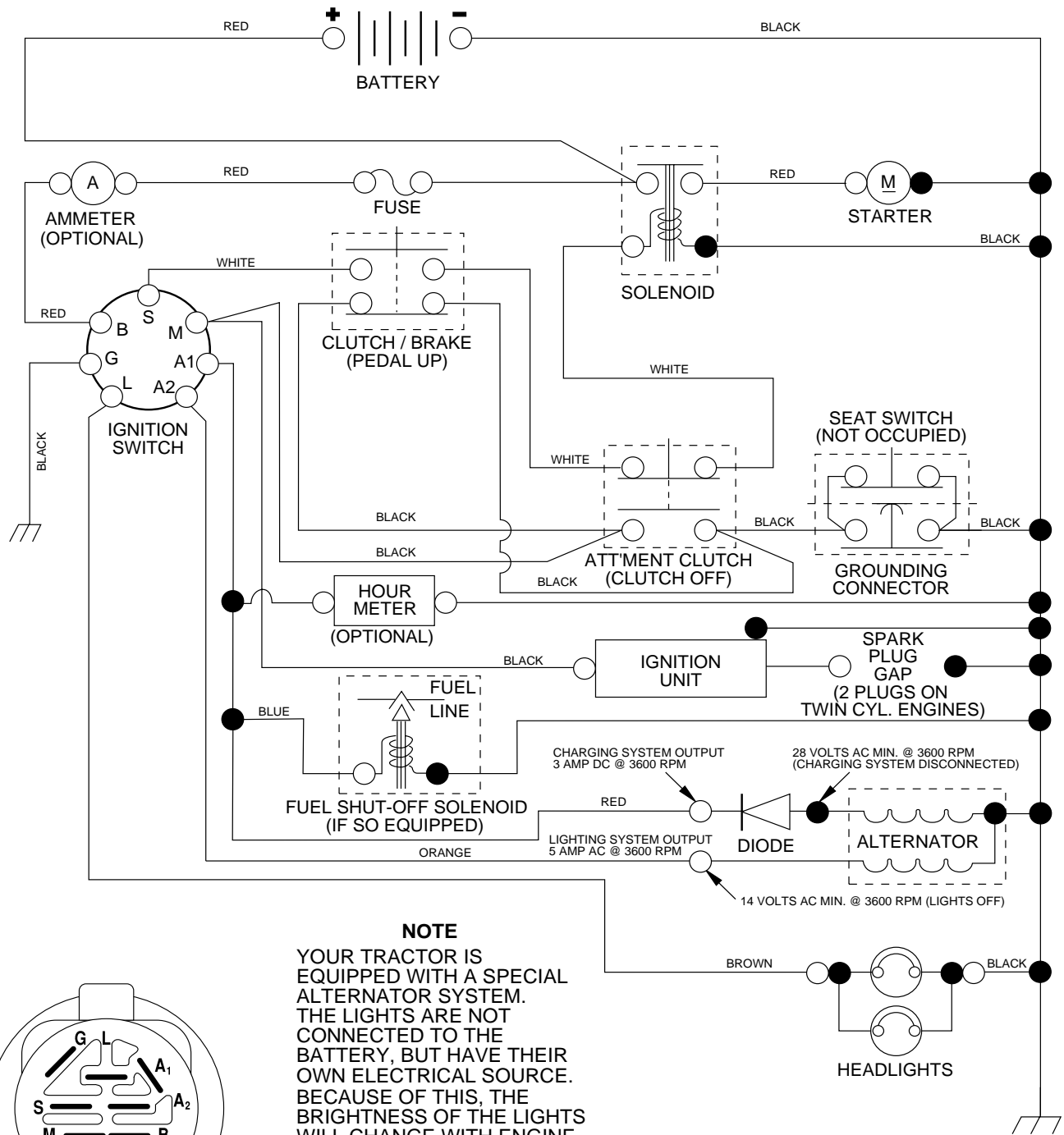


LT 15 A

Spare parts
Ersatzteile
Pièces détachées
Reserve onderdelen
Repuestos
Reservdelar

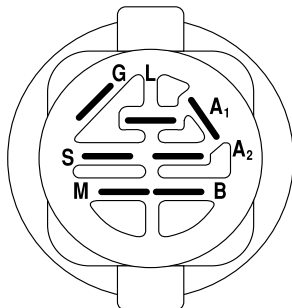
TRACTOR - MODEL NO. LT15A (JNA15H42A)

SCHEMATIC



NOTE

YOUR TRACTOR IS EQUIPPED WITH A SPECIAL ALTERNATOR SYSTEM. THE LIGHTS ARE NOT CONNECTED TO THE BATTERY, BUT HAVE THEIR OWN ELECTRICAL SOURCE. BECAUSE OF THIS, THE BRIGHTNESS OF THE LIGHTS WILL CHANGE WITH ENGINE SPEED. AT IDLE THE LIGHTS WILL DIM. AS THE ENGINE IS SPEEDED UP, THE LIGHTS WILL BECOME THEIR BRIGHTEST.



IGNITION SWITCH

POSITION	CIRCUIT	"MAKE"
OFF	M+G+A1	NONE
RUN/LIGHT	B+A1	A2+L
RUN	B+A1	NONE
START	B + S + A1	NONE

WIRING INSULATED CLIPS

NOTE: IF WIRING INSULATED CLIPS WERE REMOVED FOR SERVICING OF UNIT, THEY SHOULD BE REPLACED TO PROPERLY SECURE YOUR WIRING.

NON-REMOVABLE CONNECTIONS

REMOVABLE CONNECTIONS

REPAIR PARTS

TRACTOR - MODEL NO. LT15A (JNA15H42A)

ELECTRICAL

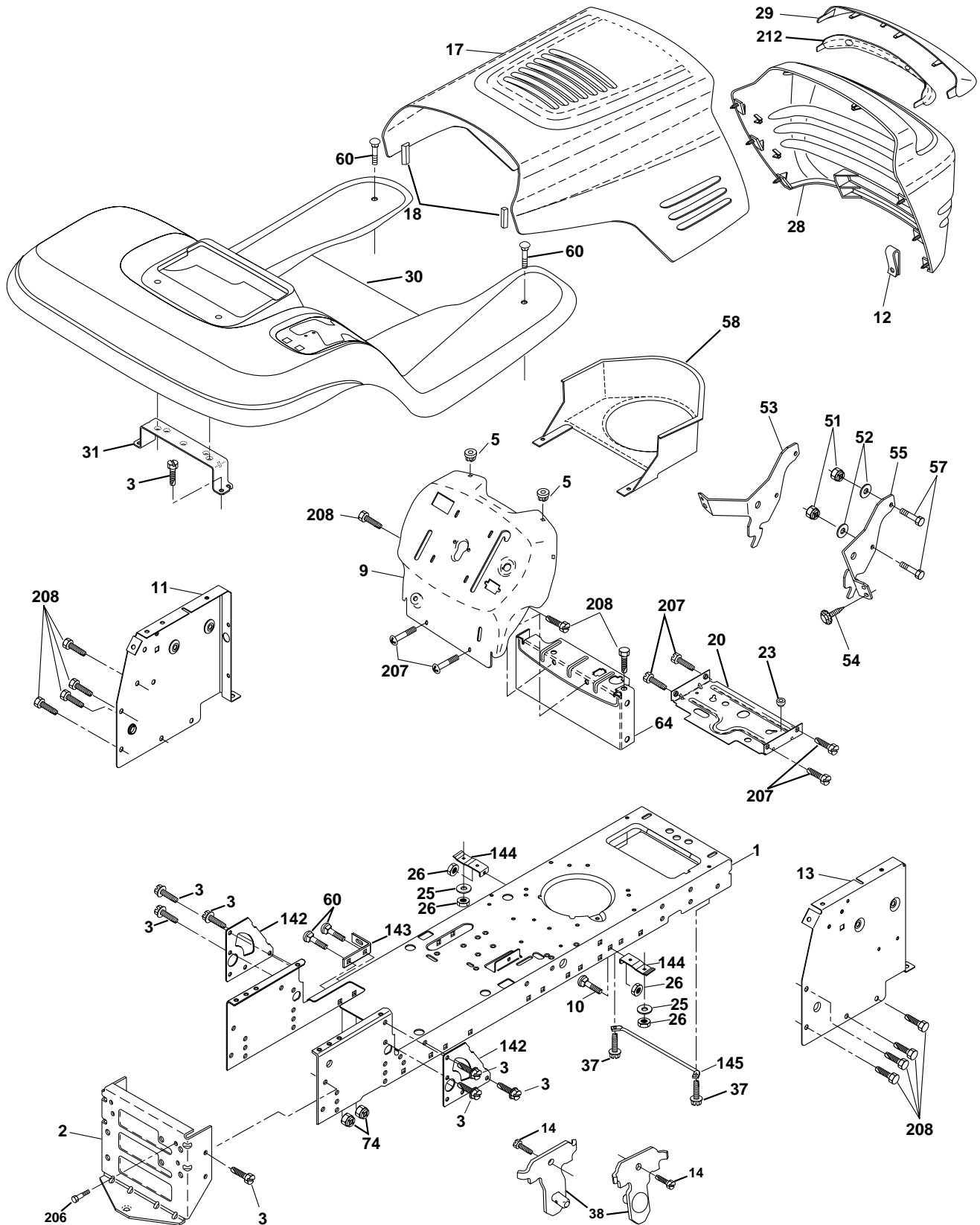
KEY NO.	PART NO.	DESCRIPTION
1	532144925	Battery 12 Volt 25 AMP
2	874760412	Bolt Hex Hd 1/4-20unc X 3/4
8	532156417	Case Battery Mech Hinge
16	532153664	Switch Interlock Push-In
21	532166181	Harness Asm Light W/4152j
22	532004152	Bulb Light #1156
24	532124780	Cable Battery 6 Ga 11" red
25	532146147	Cable Battery 6 Ga 44" red w/16 wire
26	532175158	Fuse
27	873510400	Nut Keps Hex 1/4-20 Unc
28	532124773	Cable Ground 6 Ga 12" black
29	532121305	Switch Plunger Nc Gray
30	532175566	Switch Ign
33	532140401	Key Ign Generic
40	532170217	Harness Ign.
41	871110408	Bolt Blk Fin Hex 1/4 - 20 x 1/2
42	532131563	Cover Terminal Red
43	532175141	Solenoid
48	532140844	Adapter Ammeter Rect.
52	532141940	Protection Wire Loop

NOTE: All component dimensions given in U.S. inches.
1 inch = 25.4 mm.

REPAIR PARTS

TRACTOR - MODEL NO. LT15A (JNA15H42A)

CHASSIS AND ENCLOSURES



REPAIR PARTS

TRACTOR - MODEL NO. LT15A (JNA15H42A)

CHASSIS AND ENCLOSURES

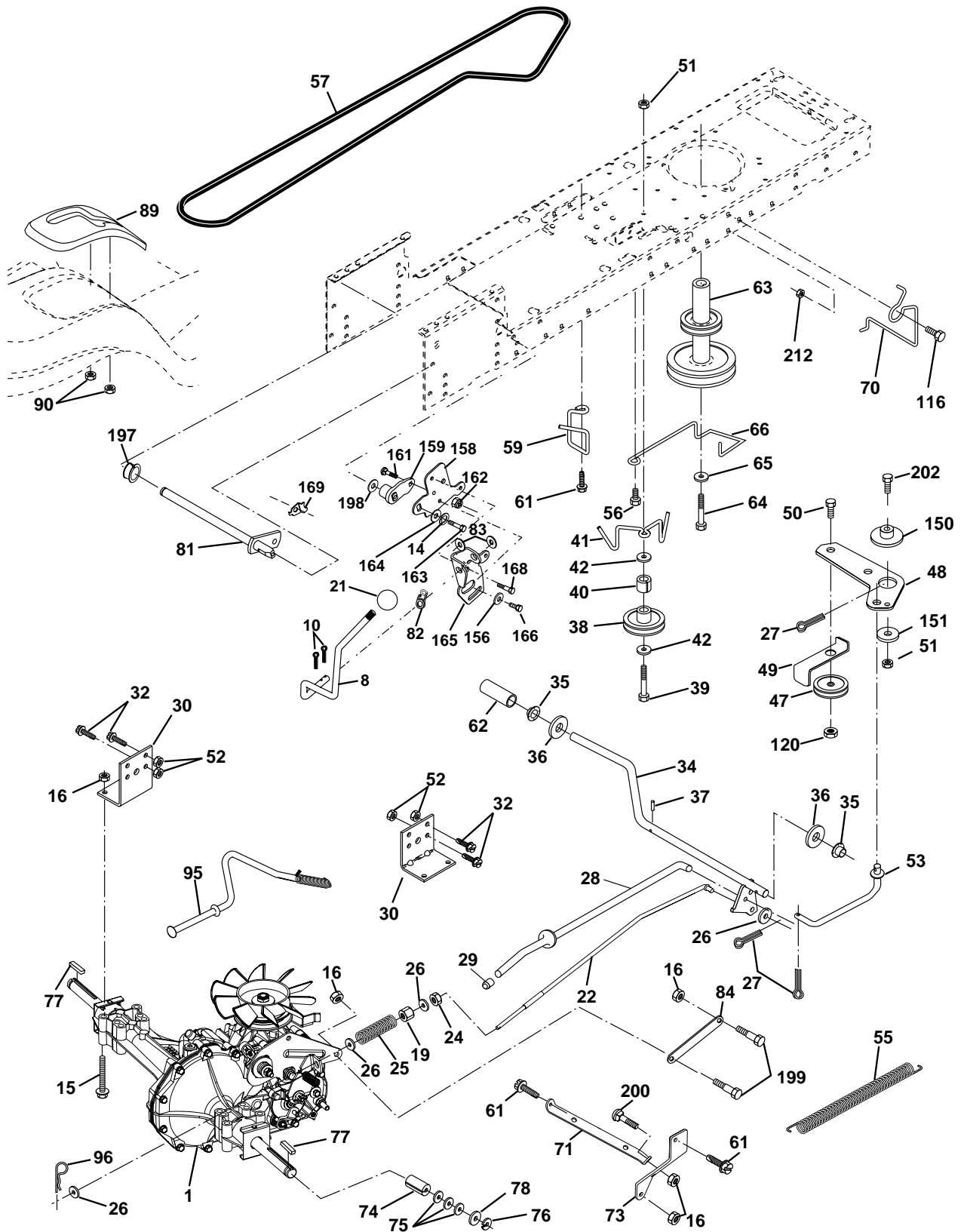
KEY NO.	PART NO.	DESCRIPTION
1	532174619	Chassis stamping
2	532176554	Drawbar, 12 Ga.
3	817060612	Screw 3/8-16x3/4
5	532155272	Bumper Hood/Dash
9	532172151	Dash Slkscr
10	872140608	Bolt Carriage 3/8-16 x 1
11	532155927	Panel Dash Lh
12	532145660	Clip Tinnerman
13	532172108	Panel Dash Rh
14	817490608	Screw Thdrol 3/8-16 x 1/2
17	532163557	Hood LT/PL
18	532126938	Bumper Hood
20	532156437	Plate Mtg Battery Fuel Tank Fr
23	532124028	Bushing
25	819131312	Washer 13/32 X 13/16 X 12 Ga
26	873800600	Nut Lock Hex w/Ins. 3/8-16 Unc
28	532140434	Grille/Lens Asm
29	532168154	Lens
30	532172157	Fender
31	532139976	Bracket Fender
35	872110606	Bolt Rdhd Sht Sqnk 3/8-16 x 3/4
37	817490508	Screw Thdrol 6/16-18 x 1/2 TYT
38	532175710	Bracket Asm Pivot Mower Rear
51	873800400	Nut Lock w/Insert 1/4-20 Unc
52	819091416	Washer 9/32 x 7/8 x 16 Ga.
53	532144697	Bracket Grille Lh
54	532161464	Screw Hex Wsh 8-18 x 7/8
55	532144696	Bracket Grille Rh
57	874780412	Bolt Hex 1/4-20 x 3/4
58	532150127	Air Duct Engine P/L
60	872140606	Bolt RDHD SQNK 3/8-16 Unc x 3/4
64	532154798	Dash Lower STLT
74	873680600	Nut Crownlock 3/8-16
142	532165867	Plate Reinforcement STLT
143	532154966	Bracket Swaybar Chassis
144	532154207	Bracket Footrest STLT
145	532156524	Rod Pivot Chassis/Hood
206	532170165	Bolt Shoulder 5/16-18 TT
207	817670508	Screw Thdrol 5/16-18 x 1/2
208	817670608	Screw Thdrol 3/8-16 x 1/2
212	532156229	Insert Lens Reflective

NOTE: All component dimensions given in U.S. inches
1 inch = 25.4 mm

REPAIR PARTS

TRACTOR - MODEL NO. LT15A (JNA15H42A)

DRIVE



REPAIR PARTS

TRACTOR - MODEL NO. LT15A (JNA15H42A)

DRIVE

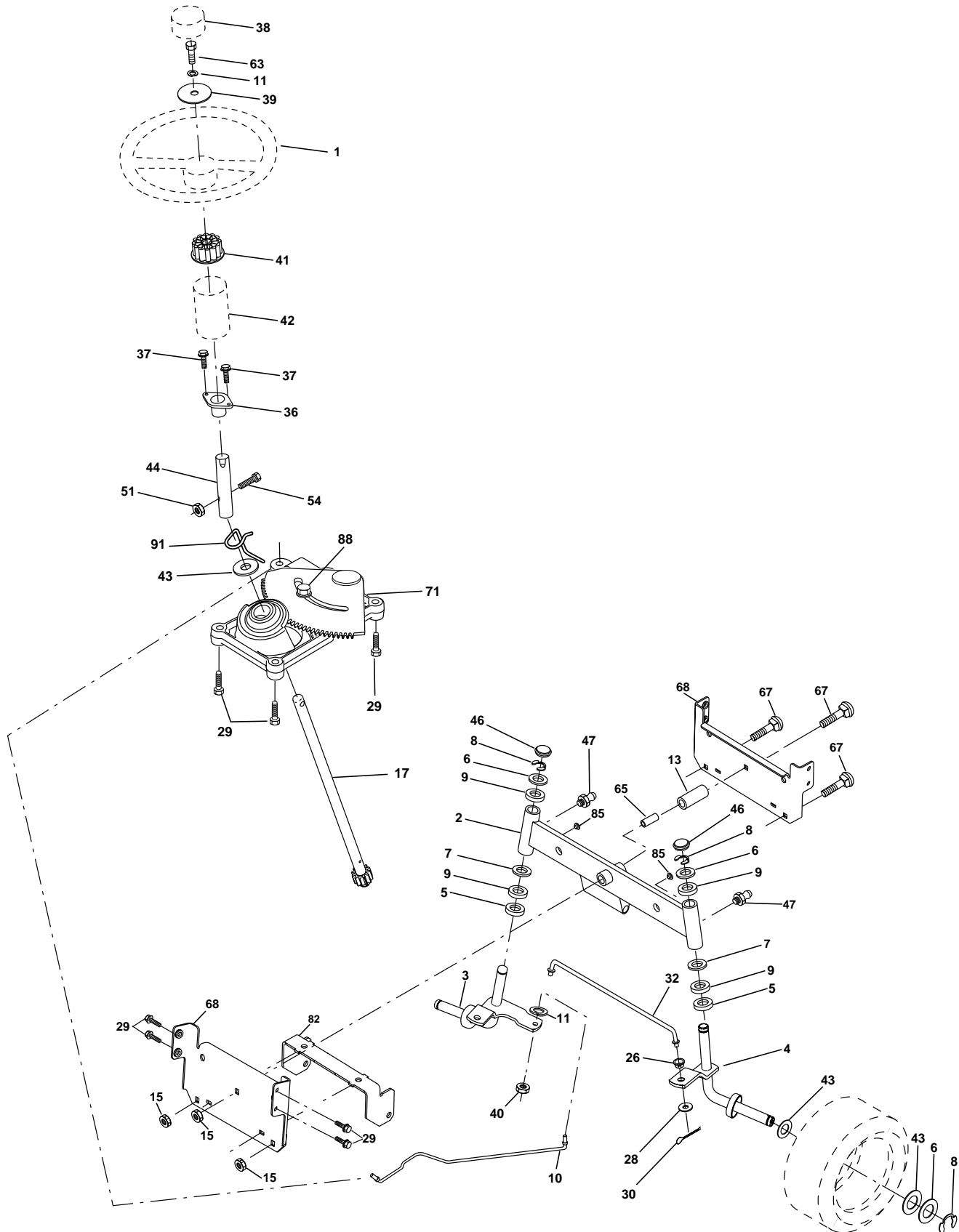
KEY PART NO. NO.	DESCRIPTION	KEY PART NO. NO.	DESCRIPTION
1	----- Transaxle Hydro Gr. 314-0510 (Order parts from transaxle mfg.)	65	810040700 Washer Lock Hvy HLCL Spr 7/16
8	532165866 Rod Shift Fender Adjust STLT	66	532154778 Keeper Belt Engine
10	876020416 Pin Cotter 1/8 x 1 CAD	70	532134683 Guide Belt Mwr Dr. Rh
14	810040400 Washer Lock Hvy Helical	71	532169183 Strap Torque Lh
15	874490544 Bolt Hex 5/16-18 Gr. 5	73	532169182 Strap Torque Rh
16	873800500 Nut Lock Hex W/Ins. 5/16-18 Unc P	74	532137057 Spacer, Axle
19	873800600 Nut Lock Hex W/Ins 3/8-16 Unc	75	532121749 Washer 25/32 x 1-1/4 x 16 Ga.
21	532130564 Knob Deluxe 1/2-13 UNC BLK/RED	76	812000001 E-Ring
22	532169498 Rod, Brake Hydro	77	532123583 Key, Square
24	873350600 Nut Hex Jam 3/8-16 UNC	78	532121748 Washer 25/32 x 1-5/8 x 16 Ga
25	532106888 Spring, Brake Rod	81	532165596 Shaft Asm Cross Tapered
26	819131316 Washer	82	532165711 Spring Torsion
27	876020412 Pin Cotter 1/8 x 3/4 CAD.	83	819171216 Washer 17/32 x 3/4 x 16 Ga.
28	532175765 Rod, Parking Brake	84	532169594 Link Transaxle
29	532071673 Cap, Parking Brake	89	532166602 Console, Hydro
30	532169592 Bracket, Transaxle	90	532124346 Nut Self-Thd WSHD 1/4
32	874760512 Bolt Hex Hd 5/16-18 Unc x 3/4	95	532170201 Control Asm. Bypass Hydro
34	532175578 Shaft, Foot Pedal	96	532124788 Retainer Spring 1" Zinc/Cad
35	532120183 Bearing, Nylon	116	872140608 Bolt RDHD SQNK 3/8-16 x 1
36	819211616 Washer	120	873900600 Nut Lock Flg. 3/8-16
37	532124963 Pin, Roll	150	532175456 Bushing Bellcrank Grd Drive
38	532165936 Pulley, Idler, Flat	151	819133210 Washer 13/32 x 2 x 10 Ga.
39	874760648 Bolt	156	532166002 Washer Srrted 5/16 ID X 1 X .125
40	532175461 Spacer Split	158	532165589 Bracket Shift Mount
41	532175556 Keeper, Belt Idler	159	532165494 Hub Tapered Flange Shift LT
42	819131312 Washer 13/32 x 13/16 x 12 Ga	161	872140406 Bolt Rdhd Sqnk 1/4-20 x 3/4 Gr. 5
47	532127783 Pulley, Idler, V-Groove Plastic	162	873680400 Nut Crownlock 1/4-20 Unc
48	532154407 Bellcrank Clutch Grnd Drv Stl	163	874780416 Bolt Hex Fin 1/4-20 Unc x 1 Gr. 5
49	532123205 Retainer, Belt Style Spring	164	819091010 Washer 5/8 x .281 x 10 Ga.
50	874760624 Bolt Hex Hd 3/8-16 Unc x 1-1/2	165	532165623 Bracket Pivot Lever
51	873680600 Nut	166	532166880 Screw 5/16-18 x 5/8
52	873680500 Nut Crown Lock 5/16-18	168	532165492 Bolt Shoulder 5/16-18 x .561
53	532105710 Link, Clutch	169	532165580 Plate Fastening LT
55	532105709 Spring, Return, Clutch	197	532169613 Nyliner Snap-In 5/8" ID
56	817060616 Screw 3/8-16 x 1.0	198	532169593 Washer Nyl 7/8ID x .105 Hyd
57	532140294 V-Belt, Ground Drive	199	532169612 Bolt Shoulder 5/16-18 Unc
59	532169691 Keeper, Center Span	200	872140508 Bolt Rdhd Sqnk 5/16-18 Unc x 1
61	817060612 Screw 3/8-16 x 3/4	202	872110614 Bolt RDHD 3/8-16 Unc x 1-3/4
62	532124872 Cover, Pedal	212	532145212 Nut Hex Flg Lock
63	532175410 Pulley, Engine		
64	871170764 Bolt Hex 7/16-20 x 4		

NOTE: All component dimensions given in U.S. inches
1 inch = 25.4 mm

REPAIR PARTS

TRACTOR - MODEL NO. LT15A (JNA15H42A)

STEERING ASSEMBLY



REPAIR PARTS

TRACTOR - MODEL NO. LT15A (JNA15H42A)

STEERING ASSEMBLY

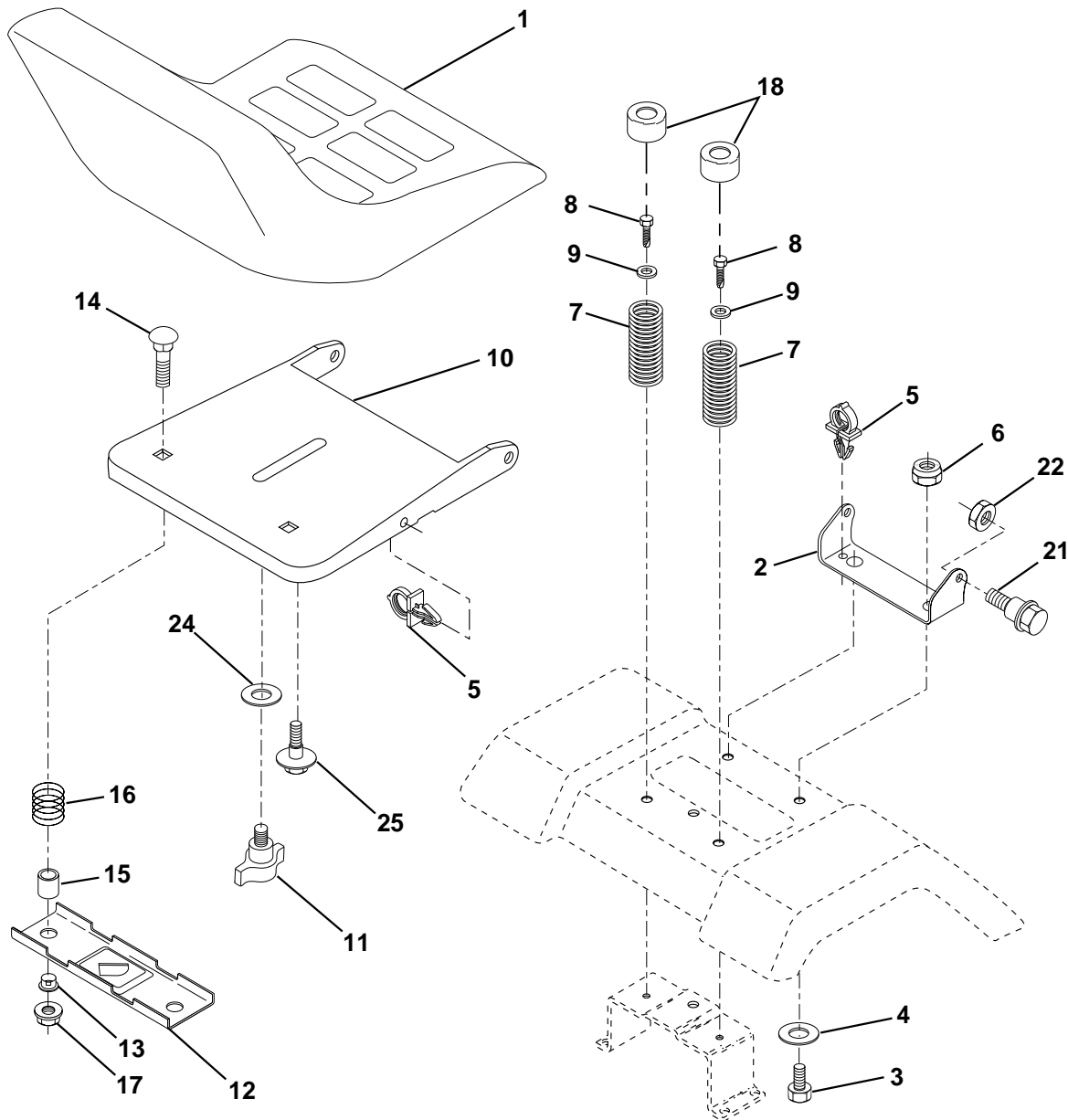
KEY NO.	PART NO.	DESCRIPTION
1	532172092	Wheel Steering
2	532154427	Axle Stamped
3	532169840	Spindle Asm Cast LH
4	532169839	Spindle Asm Cast RH
5	532124931	Bearing Race Thrust Harden
6	532121748	Washer 25/32 X 1-5/8 X 16 Ga.
7	819272016	Washer 27/32 x 1-1/4 x 16 Ga.
8	812000029	Ring Klip #t5304-75
9	532124937	Bearing Col. Strg Blk
10	532175121	Link Drag
11	810040600	Washer Lock Hvy Hlcl Spr 3/8
13	532136518	Spacer Brg Axle Front
15	532145212	Nut Hex Flange Lock Yel D
17	532177876	Shaft Asm Steering
26	532126847	Bushing Drag Link
28	819131416	Washer 13/32 x 7/8 x 16 Ga.
29	817060612	Screw 3/8-16 x 3/4
30	876020412	Pin Cotter 1/8 x 3/4
32	532130465	Rod Tie
36	532155099	Bushing Strg
37	532152927	Screw TT #32.5 x 5 x 3/8 Flange
38	532172093	Cap Wheel Steer
39	819132411	Washer 13/32 x 1-1/20 x 11 Ga.
40	532124701	Nut Lock Center 3/8-24 Unf
41	532159945	Adaptor Wheel Strg
42	532169633	Boot Dash Steering
43	532121749	Washer 25/32 X 1 1/4 X 16 Ga
44	532153720	Extension Steering Non-adjust
46	532121232	Cap Spindle Fr Top Blk
47	532124836	Grease Fitting
51	873800500	Nut Lock Hex W/Ins 5/16-18 UNC
54	874780520	Bolt Fin Hex 5/16-18 UNC x 1-1/4
63	874780616	Bolt Fin Hex 3/8-16 UNC x 1 Gr. 5
65	532160367	Spacer, Brace Axle
67	872140618	Bolt Rdhd 3/8-16 x 2-1/4
68	532169827	Brace, Axle
71	532175146	Steering Asm.
82	532169835	Bracket Susp Chassis Front 15"
85	532133835	Fastener, Christmas Tree
88	532175118	Bolt Shoulder 7/16-20
91	532175553	Clip, Steering

NOTE: All component dimensions given in U.S. inches.
1 inch = 25.4 mm.

REPAIR PARTS

TRACTOR - MODEL NO. LT15A (JNA15H42A)

SEAT ASSEMBLY



KEY NO.	PART NO.	DESCRIPTION
1	532140117	Seat
2	532140551	Bracket Pivot Seat 8 720
3	871110616	Bolt Fin Hex 3/8-16unc X 1
4	819131610	Washer 13/32 X 1 X 10 Ga
5	532145006	Clip Push-In
6	873800600	Nut Hex w/Ins. 3/8-16 Unc
7	532124181	Spring Seat Cprsn 2 250 Blk Zi
8	817000616	Screw 3/8-16 X 1
9	819131614	Washer 13/32 X 1 X 14 Ga.
10	532174894	Pan Seat
11	532166369	Knob Seat Adj Wingnut
12	532121246	Bracket Mounting Switch

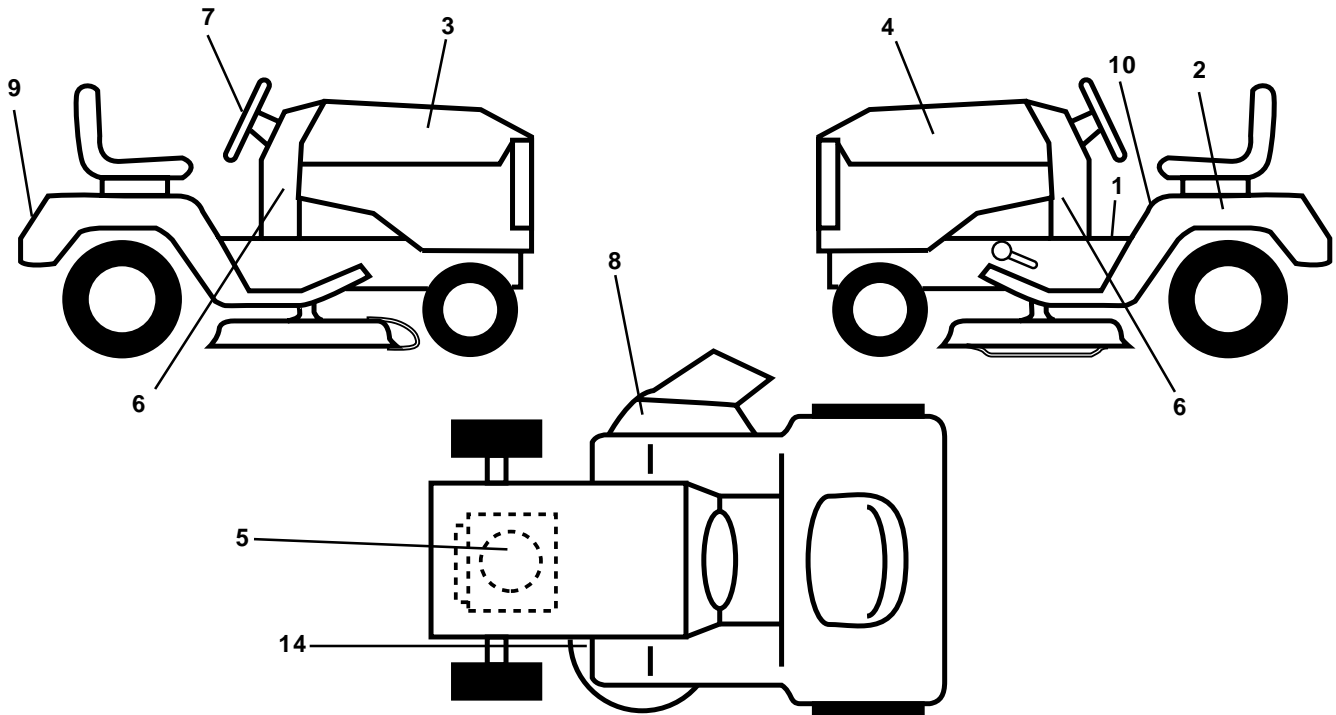
KEY NO.	PART NO.	DESCRIPTION
13	532121248	Bushing Snap Blk Nyl 50 Id
14	872050412	Bolt Rdhd Sqnk 1/4-20x1-1/2
15	532134300	Spacer Split 28x 96 Yel Zinc
16	532121250	Spring Cprsn 1 27 Blk Pnt
17	532123976	Nut Lock 1/4 Lge Flg Gr 5 Zinc
18	532124238	Cap, Spring Seat 1.75 x 1.0
21	532171852	Bolt Shoulder 5/16-18 Unc
22	873800500	Nut Hex Lock W/Ins 5/16-18
24	819171912	Washer 17/32 X 1-3/16 X 12 Ga.
25	532127018	Bolt Shoulder 5/16-18 X 62

NOTE: All component dimensions given in U.S. inches.
1 inch = 25.4 mm

REPAIR PARTS

TRACTOR - MODEL NO. LT15A (JNA15H42A)

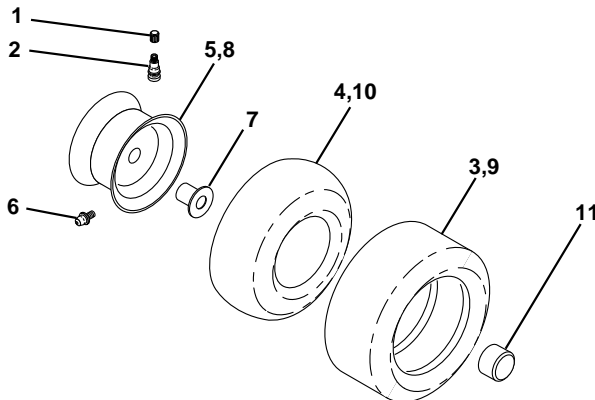
DECALS



KEY NO.	PART NO.	DESCRIPTION
1	532157032	Decal Oper. Step Thru E/F
2	532145005	Decal Battery
3	532170704	Decal Hood RH
4	532170705	Decal Hood LH
5	532170846	Decal HP Engine
6	532162927	Decal Hood/Sd Pnl
7	532170565	Decal Wheel Steering
8	532170563	Decal Warning

KEY NO.	PART NO.	DESCRIPTION
9	532141761	Decal Fender
10	532157140	Decal Fender Danger
14	532160396	Decal V-Belt Schematic
--	532171824	Pad Footrest LH
--	532171825	Pad Footrest LR
--	532138311	Decal Handle Lft Height Adjust
--	532169210	Decal By Pass Lt Hydro
--	532177120	Manual Owner's (English)
--	532177121	Manual Owner's (French)

WHEELS & TIRES



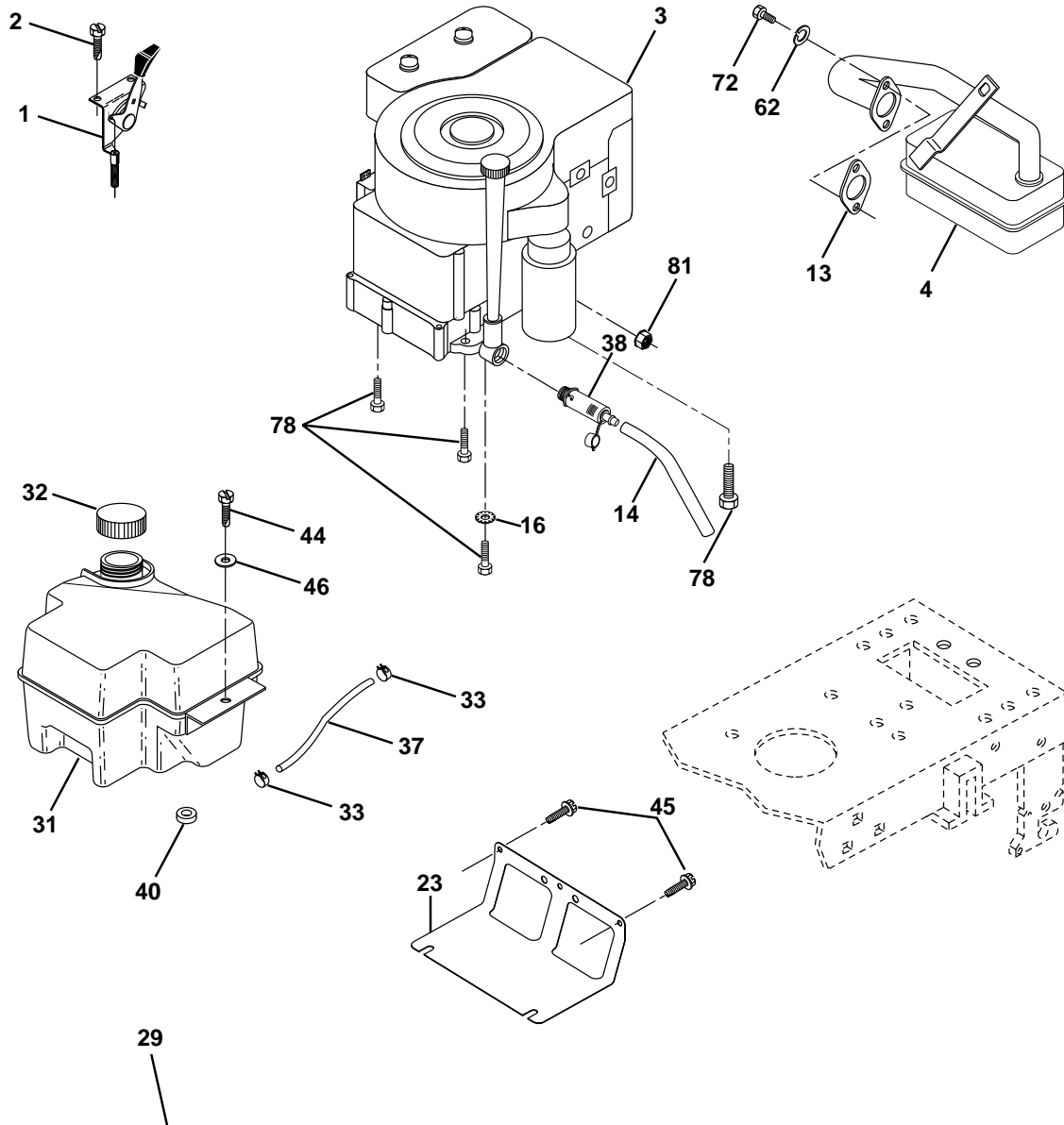
KEY NO.	PART NO.	DESCRIPTION
1	532059192	Cap Valve Tire
2	532065139	Stem Valve
3	532106222	Tire F Ts 15 X 6 0 - 6 Service
4	532059904	Tube Front (Service Item Only)
5	532138336	Rim Asm 6"front Silver Service
6	532124957	Fitting Grease (Front Wheel Only)
7	532124959	Bearing Flange (Front Wheel Only)
8	532138337	Rim Asm 8"rear Silver Service
9	532122082	Tire R Ts 20x10-8 C Service
10	532124926	Tube Rear (Service Item Only)
11	532175039	Cap Axle Blk 1 50 X 1 00
--	532144334	Sealant, Tire (10 oz. Tube)

NOTE: All component dimensions given in U.S. inches.
1 inch = 25.4 mm

REPAIR PARTS

TRACTOR - MODEL NO. LT15A (JNA15H42A)

ENGINE



OPTIONAL EQUIPMENT
Spark Arrester

KEY NO.	PART NO.	DESCRIPTION
1	532170551	Control Th/ch Flag Dom.
2	817720410	Screw Hex Thd Ext Cut 1/4-20x5/8 T
3	-----	Engine B&S Model 287707 (Order parts from engine manufacturer)
4	532137352	Muffler
13	532165291	Gasket
14	532148456	Tube Drain Oil Easy
16	811050600	Washer Lock Ext Tooth 3/8
23	532169837	Shield BRN/DBR Guard
29	532137180	Kit Spark Arrester (Flat Scrm)
31	532174642	Tank Fuel
32	532140527	Cap Asm Fuel W/sym Vented

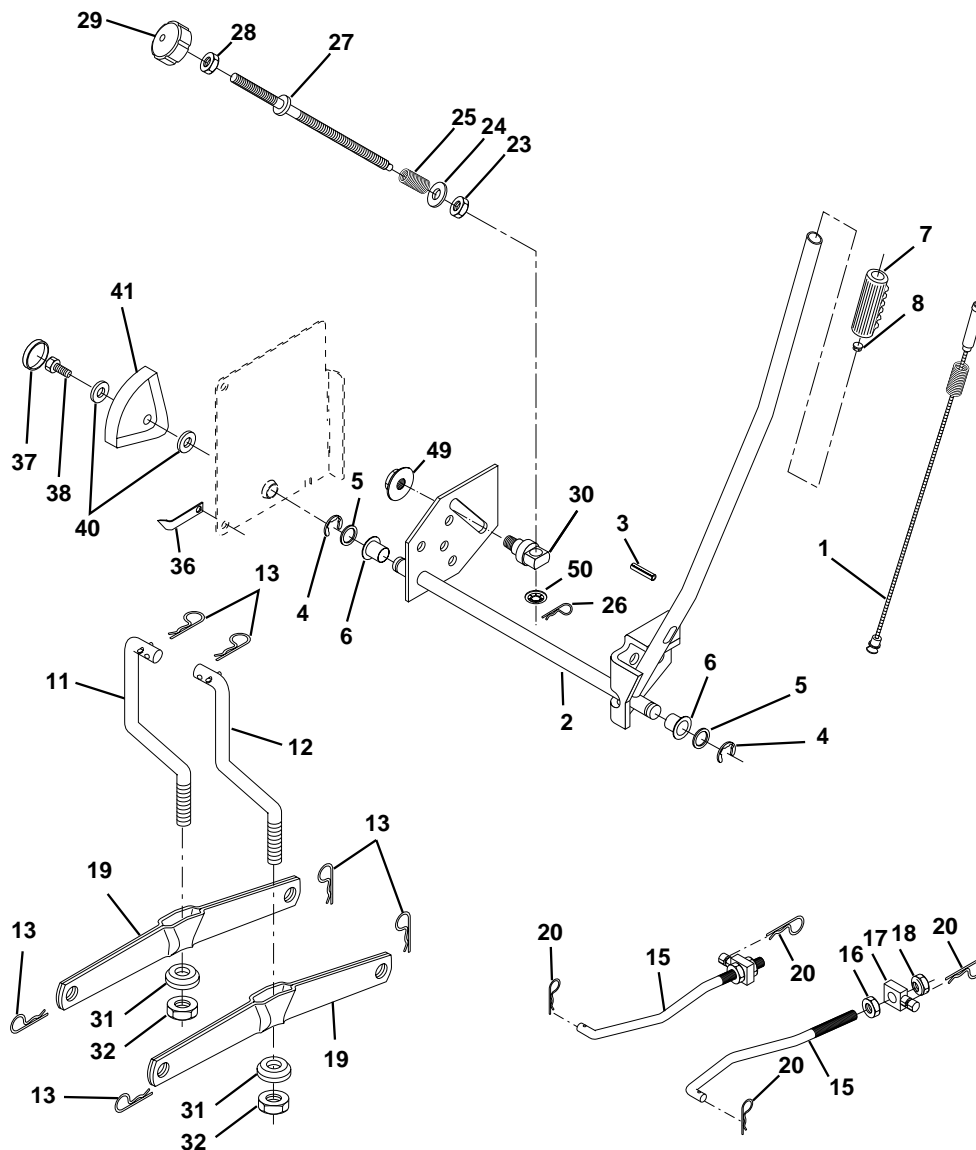
KEY NO.	PART NO.	DESCRIPTION
33	532123487	Clamp Hose Black
37	532137040	Line Fuel
38	532148315	Plug Drain Oil Easy
40	532124028	Bushing Snap Nyl Black Fuel Line
44	817670412	Screw Hex Wsh Thdrol 1/4-20 x 3/4
45	817000612	Screw Hex Wsh Thdrol 3/8-16 x 3/4
46	819091416	Washer 9/32 x 7/8 x 16 Ga.
62	810040500	Washer Lock Hvy Hlcl Spr. 5/16
72	871070512	Screw Hex Hd Cap 5/16-18 x 3/4
78	817060620	Screw 3/8-16 x 1-1/4
81	873510400	Nut Keps Hex 1/4-20 Unc

NOTE: All component dimensions given in U.S. inches
1 inch = 25.4 mm

REPAIR PARTS

TRACTOR - MODEL NO. LT15A (JNA15H42A)

MOWER LIFT



KEY NO.	PART NO.	DESCRIPTION
1	532159460	Wire Asm Inner W/plunger
2	532159471	Shaft Asm Lift RH w/Inf
3	532105767	Pin Groove 1 500 Zinc
4	812000002	E Ring #5133-62
5	819211621	Washer 21/32 X 1 X 21 Ga
6	532120183	Bearing Nylon Blk 629 Id
7	532125631	Grip Handle Fluted Blk
8	532124526	Button Plunger Black
11	532139865	Link Lift LH Fixed Length
12	532139866	Link Lift RH Fixed Length
13	532124670	Retainer Spring
15	532173288	Link Front
16	873350800	Nut Jam Hex 1/2-13 Unc
17	532130171	Trunnion Blk Zinc
18	873800800	Nut Lock w/Wsh 1/2-13unc
19	532139868	Arm Suspension Rear
20	532163552	Retainer Spring
23	532110807	Nut Special

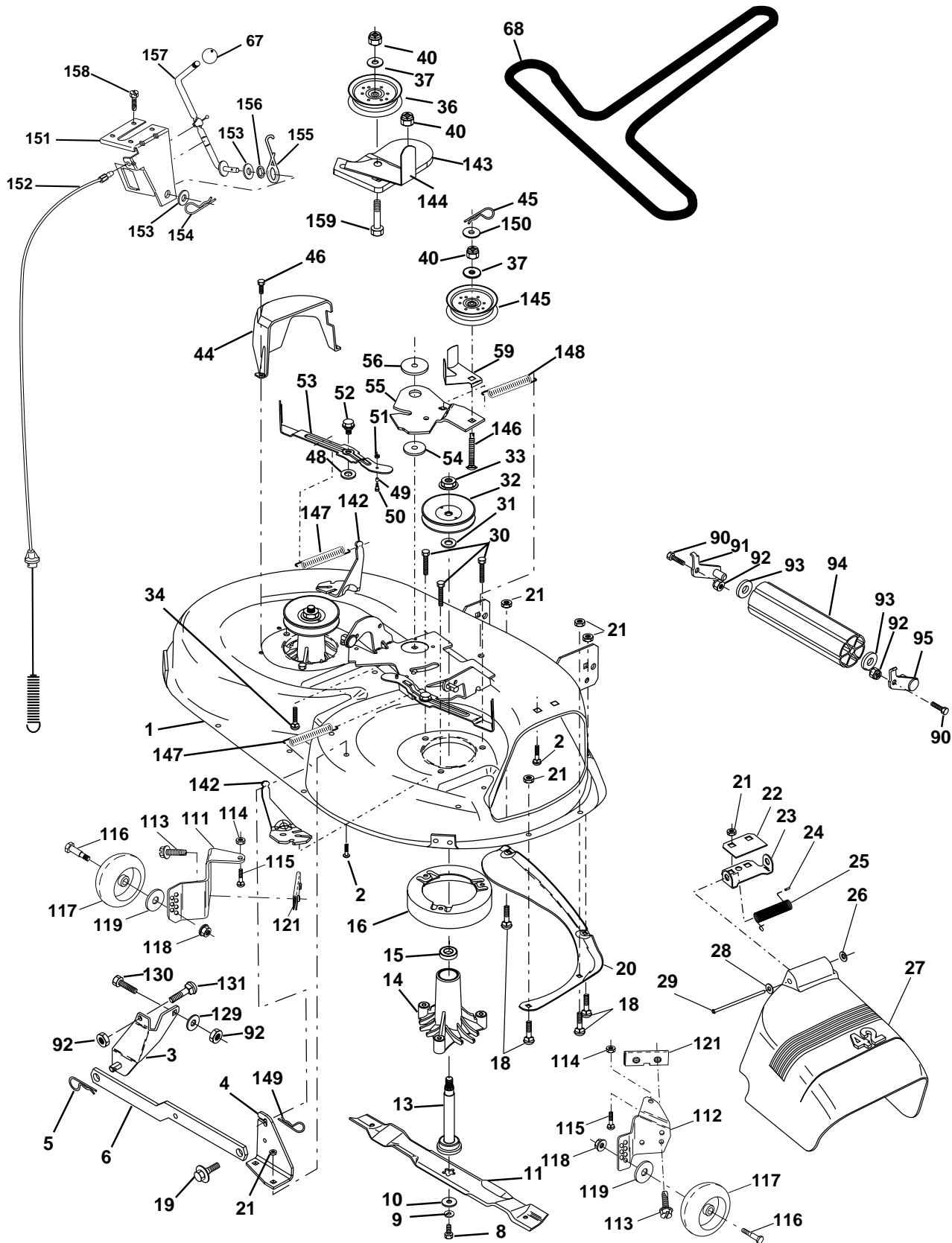
KEY NO.	PART NO.	DESCRIPTION
24	819131016	Washer 13/32 X 5/8 X 16 Ga
25	532124874	Spring 2-1/8"
26	532169484	Retainer Clip
27	532126971	Rod Adj Lift Zinc 7.49 Wrk Lg
28	873350600	Nut Hex Jam 3/8-16 Unc
29	532138057	Knob Inf 3/8-16 Unc Blk W/sym
30	532150233	Trunnion Infin Height
31	532169865	Bearing Pvt Lift
32	873540600	Nut Crownlock 3/8 - 24
36	532155097	Pointer Height Indicator
37	532123935	Plug Hole Blk 1.485/1.515 Dia.
38	817060516	Screw 5/16-18 x 1
40	819112410	Washer 11/32 x 1-1/2 10 Ga.
41	532155098	Indicator Height STLT
49	532145212	Nut Hex Flange Lock
50	532110452	Nut Phos & Oil

NOTE: All component dimensions given in U.S. inches
1 inch = 25.4 mm

REPAIR PARTS

TRACTOR - MODEL NO. LT15A (JNA15H42A)

MOWER DECK



REPAIR PARTS

TRACTOR - MODEL NO. LT15A (JNA15H42A)

MOWER DECK

KEY NO.	PART NO.	DESCRIPTION	KEY NO.	PART NO.	DESCRIPTION
1	532165892	Mower Deck Assembly, 42"	67	532106932	Knob RD 3/8-16 Blk
2	872140506	Bolt	68	532144959	V-Belt
3	532138017	Bracket Assembly, Sway Bar, Front	90	817490612	Screw 3/8-16 x 3/4
4	532165460	Bracket Sway Bar 38/42" Deck	91	532175746	Bracket Asm Noseroller Lh
5	532124670	Retainer Spring	92	873800600	Nut Lock Hex w/Ins. 3/8-16 Unc
6	532130832	Arm, Suspension, Rear	93	819171416	Washer 17/32 x 7/8 x 16 Ga.
8	532850857	Bolt, Hex 3/8-24 x 1.25 Gr. 8	94	532132264	Roller Nose 38"-50"
9	810030600	Washer, Lock	95	532175747	Bracket Asm Noseroller Rh
10	532140296	Washer, Hardened	111	532155197	Bracket, Gauge, Wheel L.H.
11	532138498	Blade Mower 42" High Perf.	112	532155198	Bracket, Gauge, Wheel R.H.
	532134149	Blade, Mulching	113	817060514	Screw Tapping 5/16-18 Unc
13	532137645	Shaft Assembly, Mandrel, Vented	114	873510500	Nut, Hex, Keps 5/16-18 UNC
14	532128774	Housing, Mandrel, Vented	115	872110504	Bolt, Carriage 5/16 UNC x 1/2
15	532110485	Bearing, Ball, Mandrel	116	532124872	Bolt, Shoulder
16	532174493	Stripper	117	532165746	Wheel, Gauge
18	872140505	Bolt, Carriage 5/16-18 x 5/8	118	873930600	Nut, Centerlock 3/8-16
19	532132827	Bolt, Shoulder	119	819121414	Washer 3/8 x 7/8 x 14 Gauge
20	532159770	Baffle, Vortex	121	532143723	Bracket
21	873680500	Nut Crownlock 5/16-18 UNC	129	819131312	Washer 13/32 x 13/16 x 12 Ga.
22	532134753	Stiffener Bracket	130	874780616	Bolt Hex 3/8-16 x 1.0
23	532131267	Bracket, Deflector	131	872140608	Bolt RDHD SQNK 3/8-16 x 1.0
24	532105304	Cap, Sleeve	142	532165890	Arm, Spring Brake Mwr
25	532123713	Spring, Torsion, Deflector	143	532157107	Bracket Arm Idler 42"
26	532110452	Nut, Push	144	532158634	Keeper Belt 42" Clutch Cable
27	532171859	Shield, Deflector	145	532165888	Pulley Idler Flat
28	819111016	Washer 11/32 x 5/8 x 16 Ga.	146	532171977	Bolt Carriage Idler
29	532131491	Rod, Hinge	147	532131335	Spring Extension
30	532157722	Screw Thdrol Washer Head	148	532169022	Spring Return Idler
31	532129963	Washer, Spacer	149	532165898	Retainer Spring Yellow Zinc
32	532153535	Pulley, Mandrel	150	819091216	Washer 9/32 x 3/4 x 16 Ga.
33	532137266	Nut, Toplock, Flanged	151	532169670	Bracket CL Cable
34	872110614	Bolt	152	532169676	Cable Clutch 42
36	532131494	Pulley, Idler, Flat	153	532169674	Washer Flat 3/8-7B
37	819131316	Washer 13/32 x 13/16 x 16 Gauge	154	532169675	Spring Retainer
40	873680600	Nut Crownlock 3/8-16 UNC	155	532169671	Spring Retention
44	532140088	Guard, Mandrel, L.H.	156	532169672	Spacer Cable Clutch
45	532124788	Retainer	157	532169669	Rod Cable Clutch 3/8
46	532137729	Screw, Thd. Roll 1/4-20 x 5/8	158	817720410	Screw 1/4-20 x 5/8
48	532133944	Washer Hardened Smaller	159	872140614	Bolt Rdhd Sqn 3/8-16 UNC x 1- 3/4
49	532174284	Roller Asm Cam Follower	--	532130794	Mandrel Assembly (Includes Key Numbers 8-10, 13-15, 31 and 32)
50	532131340	Bolt SHLD # 10-24	--	532171491	Mower Deck, Complete (Standard Deck, Order Separately Noseroller and Gauge Wheel Components)
51	532069180	Nut Lock #10-24			
52	532139888	Bolt SHLD 5/16-18			
53	532131845	Arm Asm Pad Brake			
54	532133943	Washer, Hardened			
55	532155046	Arm, Idler			
56	532165723	Spacer, Retainer			
59	532141043	Guard, TUV Idler			

NOTE: All component dimensions given in U.S. inches
1 inch = 25.4 mm