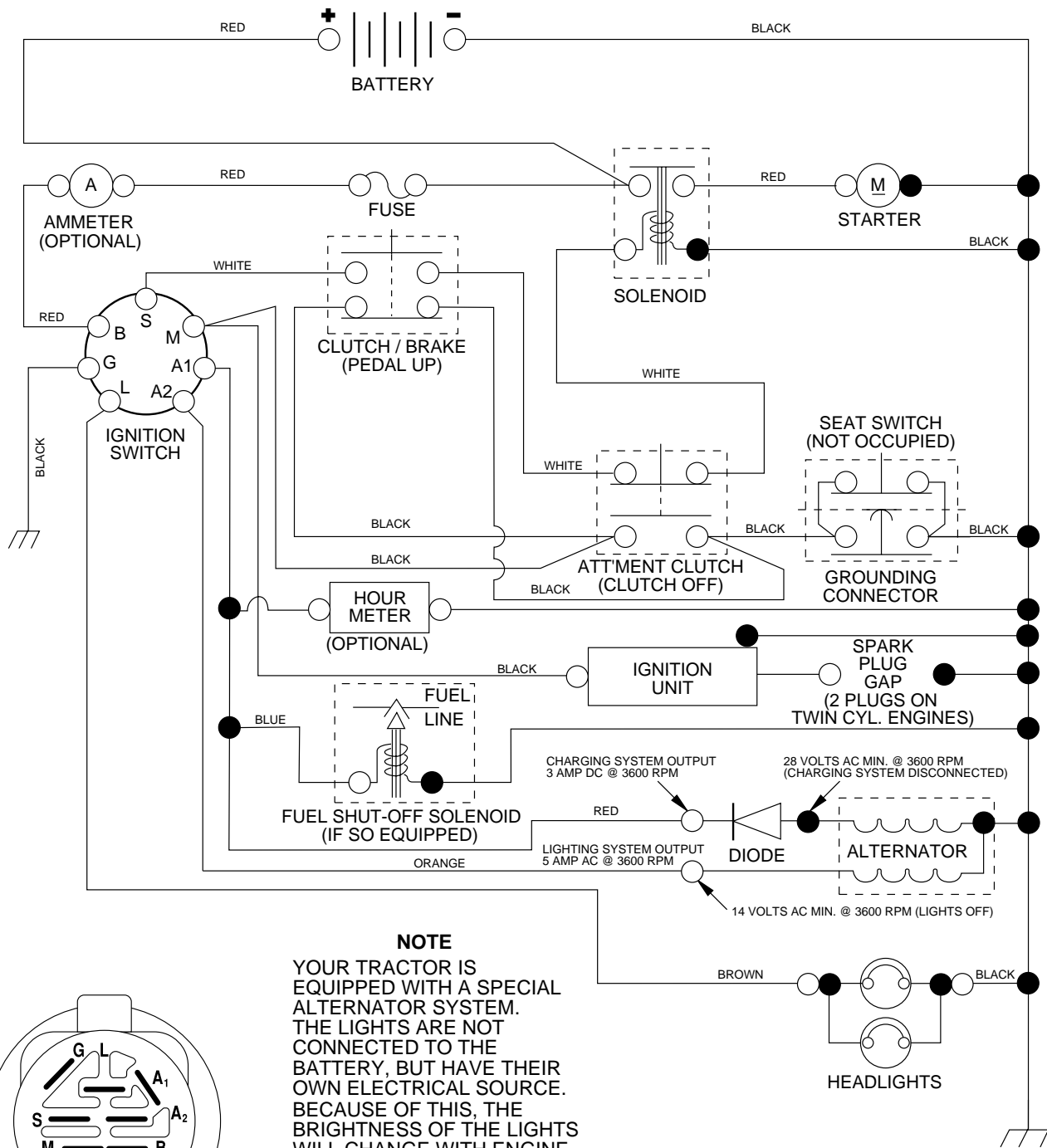


# LT 15

Spare parts  
Ersatzteile  
Pièces détachées  
Reserve onderdelen  
Repuestos  
Reservdelar

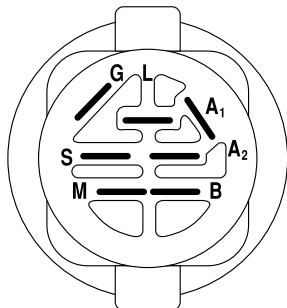
# TRACTOR - MODEL NUMBER LT15 (JNA1542A)

## SCHEMATIC



### NOTE

YOUR TRACTOR IS EQUIPPED WITH A SPECIAL ALTERNATOR SYSTEM. THE LIGHTS ARE NOT CONNECTED TO THE BATTERY, BUT HAVE THEIR OWN ELECTRICAL SOURCE. BECAUSE OF THIS, THE BRIGHTNESS OF THE LIGHTS WILL CHANGE WITH ENGINE SPEED. AT IDLE THE LIGHTS WILL DIM. AS THE ENGINE IS SPEEDED UP, THE LIGHTS WILL BECOME THEIR BRIGHTEST.



**IGNITION SWITCH**

| POSITION  | CIRCUIT    | "MAKE" |
|-----------|------------|--------|
| OFF       | M+G+A1     | NONE   |
| RUN/LIGHT | B+A1       | A2+L   |
| RUN       | B+A1       | NONE   |
| START     | B + S + A1 | NONE   |

### WIRING INSULATED CLIPS

**NOTE:** IF WIRING INSULATED CLIPS WERE REMOVED FOR SERVICING OF UNIT, THEY SHOULD BE REPLACED TO PROPERLY SECURE YOUR WIRING.

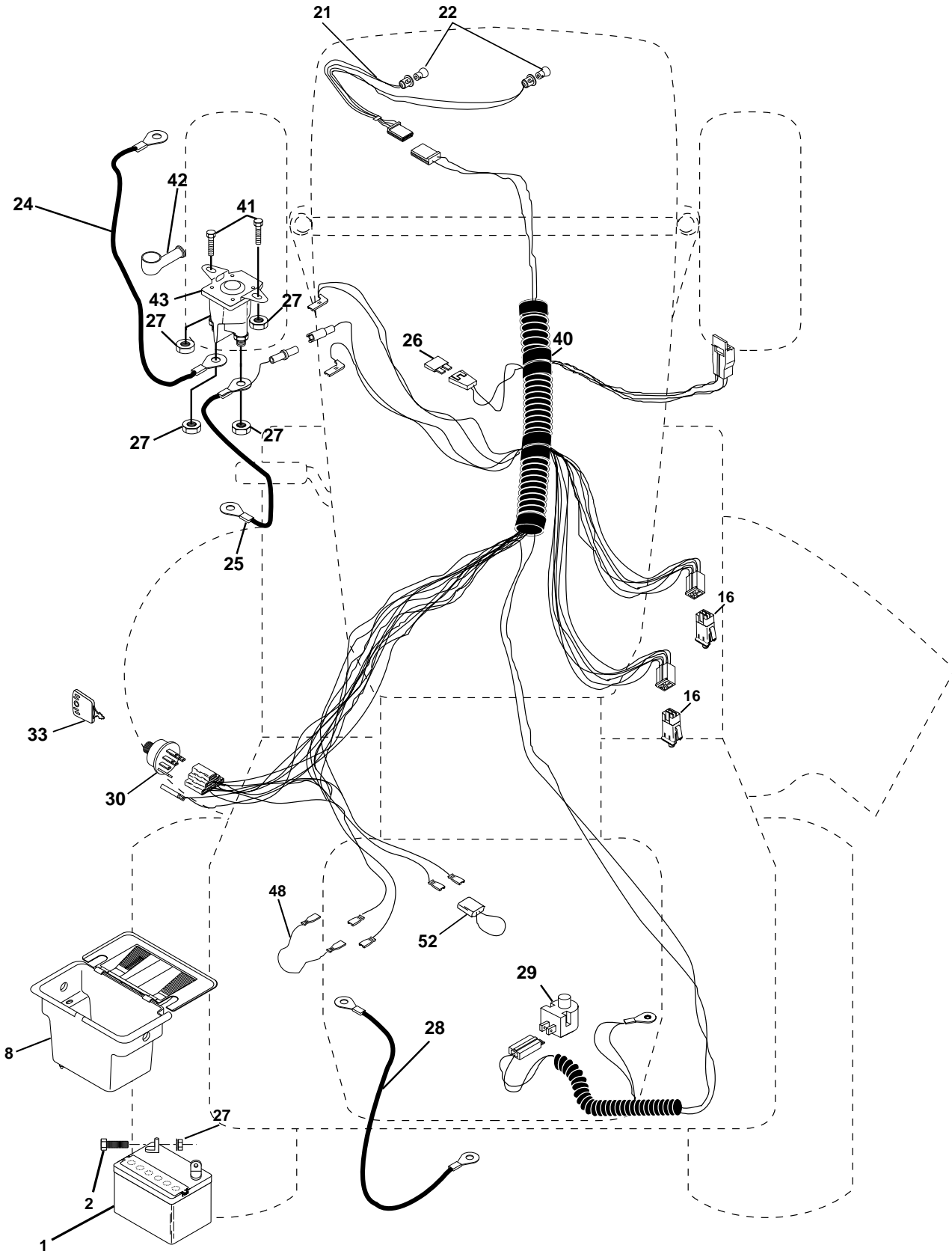
NON-REMOVABLE CONNECTIONS

REMOVABLE CONNECTIONS

# REPAIR PARTS

## TRACTOR - MODEL NUMBER LT15 (JNA1542A)

### ELECTRICAL



# REPAIR PARTS

## TRACTOR - MODEL NUMBER LT15 (JNA1542A)

### ELECTRICAL

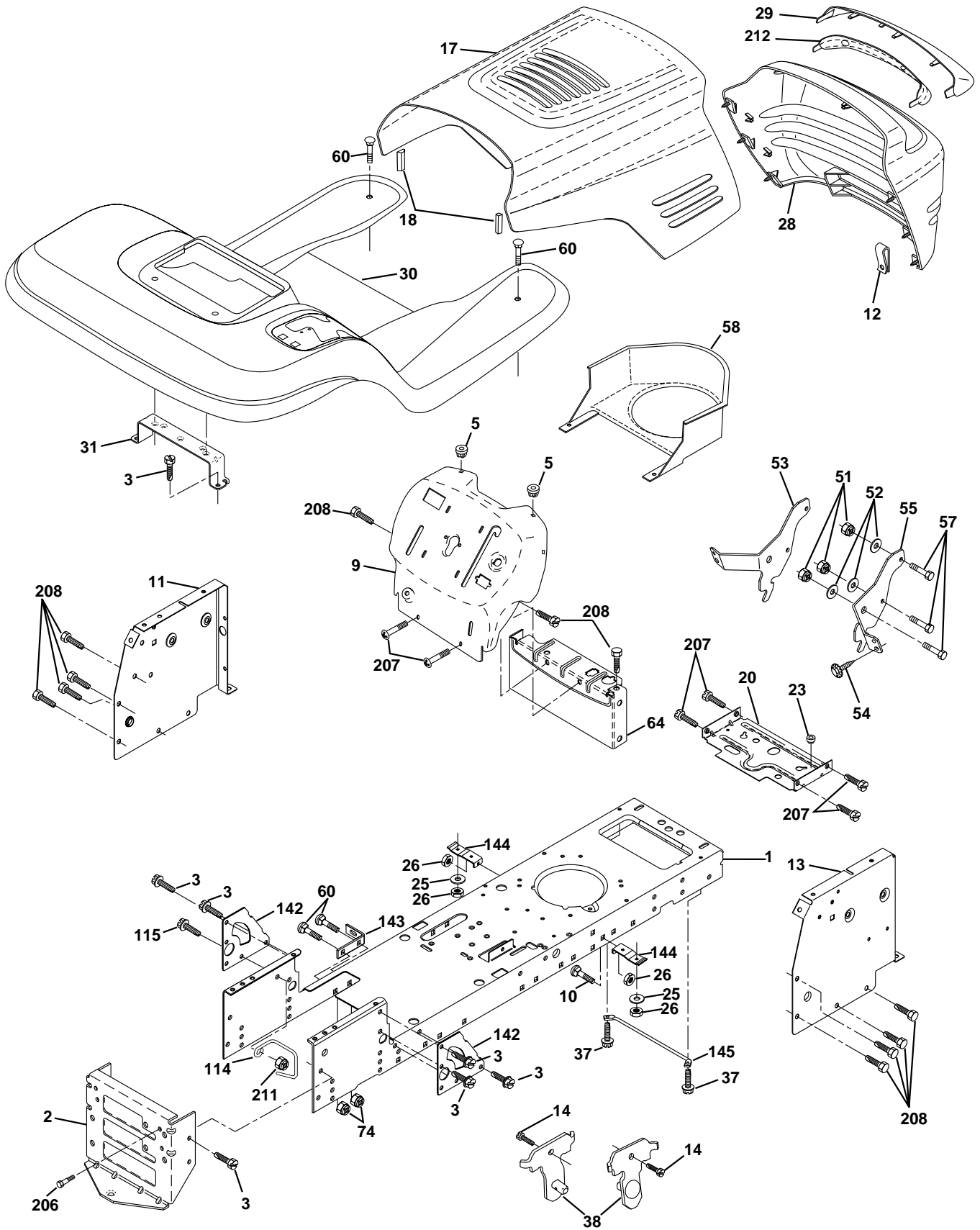
| KEY NO. | PART NO.  | DESCRIPTION                          |
|---------|-----------|--------------------------------------|
| 1       | 532144925 | Battery 12 Volt 25 AMP               |
| 2       | 874760412 | Bolt Hex Hd 1/4-20unc X 3/4          |
| 8       | 532156417 | Case Battery Mech Hinge              |
| 16      | 532153664 | Switch Interlock Push-In             |
| 21      | 532166181 | Harness Asm Light W/4152j            |
| 22      | 532004152 | Bulb Light #1156                     |
| 24      | 532124780 | Cable Battery 6 Ga 11" red           |
| 25      | 532146147 | Cable Battery 6 Ga 44" red w/16 wire |
| 26      | 532175158 | Fuse                                 |
| 27      | 873510400 | Nut Keps Hex 1/4-20 Unc              |
| 28      | 532124773 | Cable Ground 6 Ga 12" black          |
| 29      | 532121305 | Switch Plunger Nc Gray               |
| 30      | 532175566 | Switch Ign                           |
| 33      | 532140401 | Key Ign Generic                      |
| 40      | 532170217 | Harness Ign.                         |
| 41      | 871110408 | Bolt Blk Fin Hex 1/4 - 20 x 1/2      |
| 42      | 532131563 | Cover Terminal Red                   |
| 43      | 532175141 | Solenoid                             |
| 48      | 532140844 | Adapter Ammeter                      |
| 52      | 532141940 | Protection Wire Loop                 |

**NOTE:** All component dimensions given in U.S. inches.  
1 inch = 25.4 mm.

# REPAIR PARTS

## TRACTOR - MODEL NUMBER LT15 (JNA1542A)

### CHASSIS AND ENCLOSURES



# REPAIR PARTS

## TRACTOR - MODEL NUMBER LT15 (JNA1542A)

### CHASSIS AND ENCLOSURES

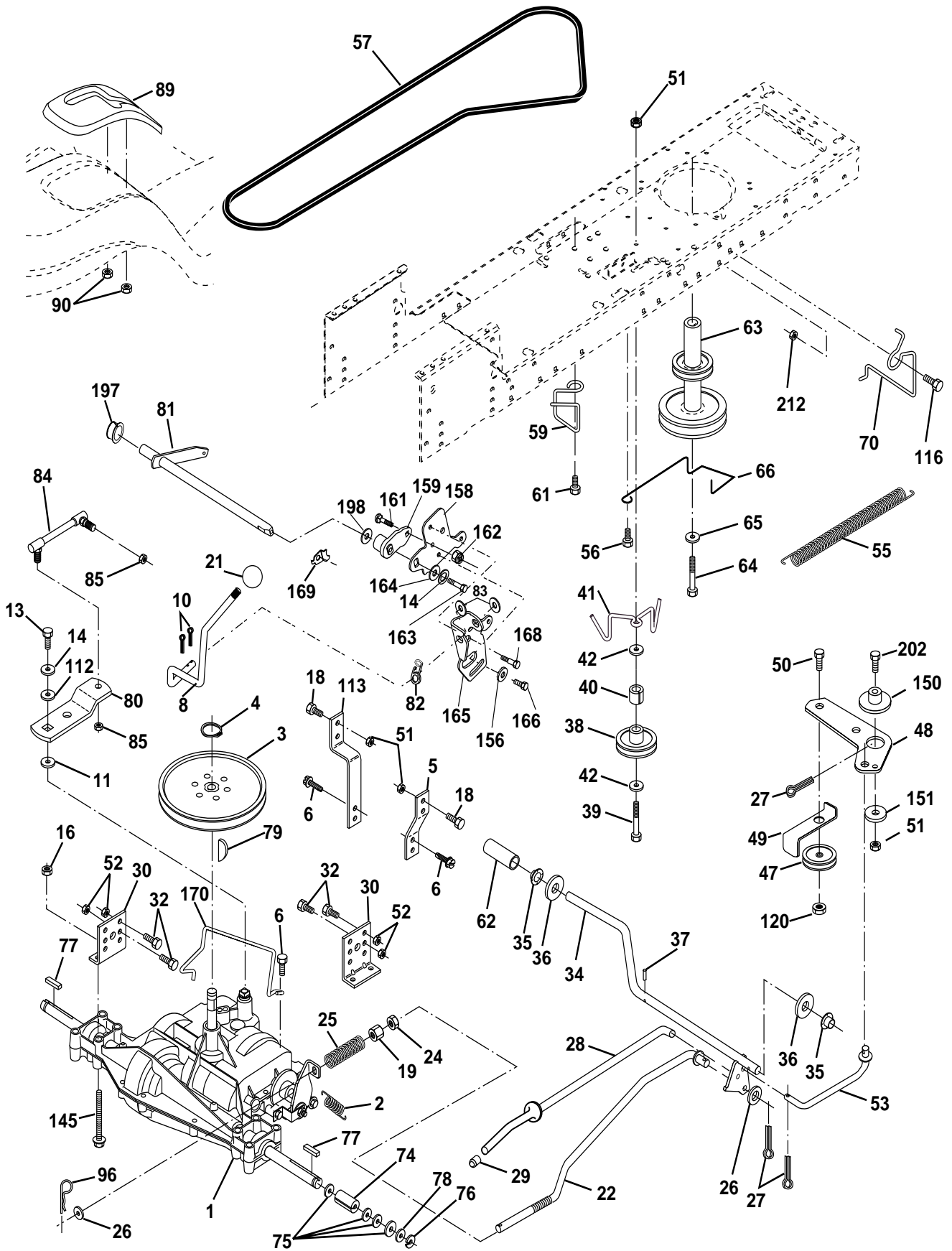
| KEY NO. | PART NO.  | DESCRIPTION                    |
|---------|-----------|--------------------------------|
| 1       | 532174619 | Chassis stamping               |
| 2       | 532176554 | Drawbar, 12 Ga.                |
| 3       | 817060612 | Screw 3/8-16x3/4               |
| 5       | 532155272 | Bumper Hood/Dash               |
| 9       | 532172151 | Dash Slkscr                    |
| 10      | 872140608 | Bolt Carriage 3/8-16 x 1       |
| 11      | 532155927 | Panel Dash Lh                  |
| 12      | 532145660 | Clip Tinnerman                 |
| 13      | 532172108 | Panel Dash Rh                  |
| 14      | 817490608 | Screw Thdrol 3/8-16 x 1/2      |
| 17      | 532163557 | Hood LT/PL                     |
| 18      | 532126938 | Bumper Hood                    |
| 20      | 532156437 | Plate Mtg Battery Fuel Tank Fr |
| 23      | 532124028 | Bushing                        |
| 25      | 819131312 | Washer 13/32 X 13/16 X 12 Ga   |
| 26      | 873800600 | Nut Lock Hex w/Ins. 3/8-16 Unc |
| 28      | 532140434 | Grille/Lens Asm                |
| 29      | 532168154 | Lens                           |
| 30      | 532172157 | Fender                         |
| 31      | 532139976 | Bracket Fender                 |
| 37      | 817490508 | Screw Thdrol 6/16-18 x 1/2 TYT |
| 38      | 532175710 | Bracket Asm Pivot Mower Rear   |
| 51      | 873800400 | Nut Lock w/Insert 1/4-20 Unc   |
| 52      | 819091416 | Washer 9/32 x 7/8 x 16 Ga.     |
| 53      | 532144697 | Bracket Grille Lh              |
| 54      | 532161464 | Screw Hex Wsh 8-18 x 7/8       |
| 55      | 532144696 | Bracket Grille Rh              |
| 57      | 874780412 | Bolt Hex 1/4-20 x 3/4          |
| 58      | 532150127 | Air Duct Engine P/L            |
| 60      | 872140606 | Bolt Rdhd Sqnk 3/8-16 x 3/4    |
| 64      | 532154798 | Dash Lower STLT                |
| 74      | 873680600 | Nut Crownlock 3/8-16           |
| 114     | 532158112 | Keeper Belt Rear LH            |
| 115     | 817060620 | Screw 3/8-16 x 1-1/4           |
| 142     | 532165867 | Plate Reinforcement STLT       |
| 143     | 532154966 | Bracket Swaybar Chassis        |
| 144     | 532154207 | Bracket Footrest               |
| 145     | 532156524 | Rod Pivot Chassis/Hood         |
| 206     | 532170165 | Bolt Shoulder 5/16-18 TT       |
| 207     | 817670508 | Screw Thdrol 5/16-18 x 1/2     |
| 208     | 817670608 | Screw Thdrol 3/8-16 x 1/2      |
| 211     | 532145212 | Nut Hex Flange Lock            |
| 212     | 532156229 | Insert Lens Reflective         |

**NOTE:** All component dimensions given in U.S. inches  
1 inch = 25.4 mm

# REPAIR PARTS

## TRACTOR - MODEL NUMBER LT15 (JNA1542A)

### DRIVE



# REPAIR PARTS

## TRACTOR - MODEL NUMBER LT15 (JNA1542A)

### DRIVE

| KEY NO. | PART NO.  | DESCRIPTION  | KEY NO. | PART NO.  | DESCRIPTION                        |
|---------|-----------|--|---------|-----------|------------------------------------|
| 1       | -----     | Transaxle Peerless 206-545C<br>Order parts from transaxle manufacturer | 62      | 532124872 | Cover Pedal Round                  |
| 2       | 532146682 | Spring Return Brake T/a Zinc   | 63      | 532175410 | Engine Pulley LT/YT                |
| 3       | 532123666 | Pulley Transaxle 18" tires   | 64      | 871170764 | Bolt Hex                           |
| 4       | 812000028 | Ring Retainer #5100-62   | 65      | 810040700 | Washer Lock Hvy Hlcl Spr 7/16      |
| 5       | 532121520 | Strap Torque 30 Degrees  | 66      | 532154778 | Keeper Belt Engine Foolproof       |
| 6       | 817060512 | Screw Thdrol 5/16-18   | 70      | 532134683 | Guide Belt Mower Drive RH          |
| 8       | 532165866 | Rod Shift Fender Adjust Lt   | 74      | 532137057 | Spacer Axle                        |
| 10      | 876020416 | Pin Cotter 1/8 X 1 Cad   | 75      | 532121749 | Washer 25/32 X 1 1/4 X 16 Ga       |
| 11      | 532105701 | Washer Plate Shf 388 Sq Hole   | 76      | 812000001 | E-ring #5133-75                    |
| 13      | 874550412 | Bolt 1/4-28 Unf Gr 8 W/Patch   | 77      | 532123583 | Key Square 2 0 X 1845/ 1865        |
| 14      | 810040400 | Washer Lock Hvy Helical  | 78      | 532121748 | Washer 25/32 X 1-5/8 X 16 Ga       |
| 16      | 873800500 | Nut Lock Hex w/Ins 5/16-18   | 79      | 532125096 | Key Woodruff #9 3/16 x 3/4         |
| 18      | 874780616 | Bolt, Fin Hex 3/8-16 UNC x 1 Gr. 5                                     | 80      | 532145090 | Arm Shift                          |
| 19      | 873800600 | Nut Lock 3/8-16 Unc  | 81      | 532165592 | Shaft Asm Cross                    |
| 21      | 532130564 | Knob   | 82      | 532165711 | Spring Torsion T/a                 |
| 22      | 532130804 | Rod Brake Blk Zinc 26 840  | 83      | 819171216 | Washer 17/32 X 3/4 X 16 Ga         |
| 24      | 873350600 | Nut Hex Jam 3/8-16 Unc   | 84      | 532166231 | Link Transaxle                     |
| 25      | 532106888 | Spring Rod Brake 2 00 Zinc   | 85      | 532150360 | Nut Lock Center 1/4 - 28 FNTHD     |
| 26      | 819131316 | Washer 13/32 X 13/16 X 16 Ga   | 89      | 532166556 | Console Shift STLT                 |
| 27      | 876020412 | Pin Cotter 1/8 X 3/4 Cad   | 90      | 532124346 | Nut Self-thd Wsh-hd 1/4 Zinc       |
| 28      | 532175765 | Rod Brake Parking LT/YT  | 96      | 532124788 | Retainer Spring 1"                 |
| 29      | 532071673 | Cap Brake Parking Black  | 112     | 819091210 | Washer 9/32 x 3/4 x 10 Ga.         |
| 30      | 532169592 | Bracket Mtg Transaxle  | 113     | 532127285 | Strap Torque LT                    |
| 32      | 874760512 | Bolt Hex Hd 5/16-18unc X 3/4   | 116     | 872140608 | Bolt Rdhd Sq Neck 3/8-16 x 1       |
| 34      | 532175578 | Shaft Asm Pedal Foot   | 120     | 873900600 | Nut Lock Flg 3/8-16                |
| 35      | 532120183 | Bearing Nylon Blk 629 Id   | 145     | 874490540 | Bolt Hex 5/16-18 Gr. 5             |
| 36      | 819211616 | Washer 21/32 X 1 X 16 Ga   | 150     | 532175456 | Spacer Retainer                    |
| 37      | 532124963 | Pin Roll 3/16 X 1"   | 151     | 819133210 | Washer 13/32 x 2 x 10 Ga.          |
| 38      | 532165936 | Pulley Composite Flat  | 156     | 532166002 | Washer Srtd 5/16ID x 1.125         |
| 39      | 874760648 | Bolt Fin Hex 3/8-16 Unc x 3  | 158     | 532165589 | Bracket Shift Mount                |
| 40      | 532175461 | Spacer Split   | 159     | 532165494 | Hub Tapered Flange Shift Lt        |
| 41      | 532175556 | Keeper Belt Idler Flat   | 161     | 872140406 | Bolt Rdhd Sqnk 1/4-20 x 3/4 Gr 5   |
| 42      | 819131312 | Washer 13/32 X 13/16 X 12 Ga   | 162     | 873680400 | Nut Crownlock 1/4-20 Unc           |
| 47      | 532127783 | Pulley Idler V Groove Plastic  | 163     | 874780416 | Bolt Hex Fin 1/4-20 Unc x 1 Gr 5   |
| 48      | 532154407 | Bellcrank Clutch Grnd Driv   | 164     | 819091010 | Washer 5/8 x .281 x 10 Ga          |
| 49      | 532123205 | Retainer Belt Style Spring   | 165     | 532165623 | Bracket Pivot Lever                |
| 50      | 874760624 | Bolt Hex Hd 3/8-16unc X 1-1/2  | 166     | 532166880 | Screw 5/16-18 x 5/8                |
| 51      | 873680600 | Nut Crownlock 3/8-16 Unc   | 168     | 532165492 | Bolt Shoulder 5/16-18 x .561       |
| 52      | 873680500 | Nut Crownlock 5/16-18 Unc  | 169     | 532165580 | Plate Fastening Lt                 |
| 53      | 532105710 | Link Clutch  | 170     | 532173898 | Keeper Belt                        |
| 55      | 532105709 | Spring Return Clutch 6 75  | 197     | 532169613 | Nyliner Snap-In                    |
| 56      | 817060616 | Screw 3/8-16 x 1   | 198     | 532169593 | Washer Nyl 7/8 ID x 105"           |
| 57      | 532130801 | V-Belt Ground Drive 95 25  | 202     | 872110614 | Bolt Carr. SH 3/8-16 x 1-3/4 Gr. 5 |
| 59      | 532169691 | Keeper Belt Span Ctr   | 212     | 532145212 | Nut Hex Flange Lock                |
| 61      | 817060612 | Screw 3/8-16 x .75   |         |           |                                    |

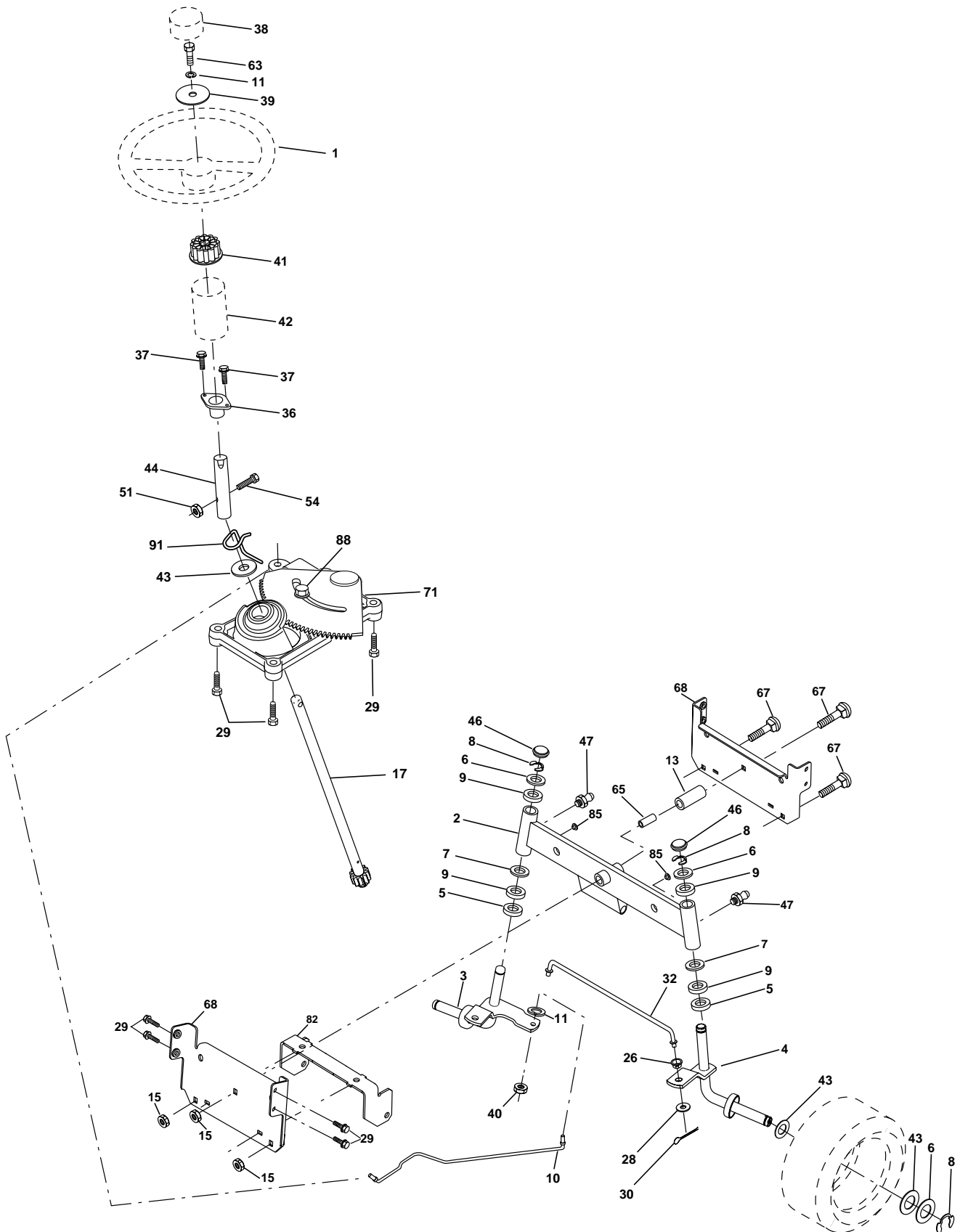
**NOTE:** All component dimensions given in U.S. inches  
1 inch = 25.4 mm



# REPAIR PARTS

## TRACTOR - MODEL NUMBER LT15 (JNA1542A)

### STEERING ASSEMBLY



# REPAIR PARTS

## TRACTOR - MODEL NUMBER LT15 (JNA1542A)

### STEERING ASSEMBLY

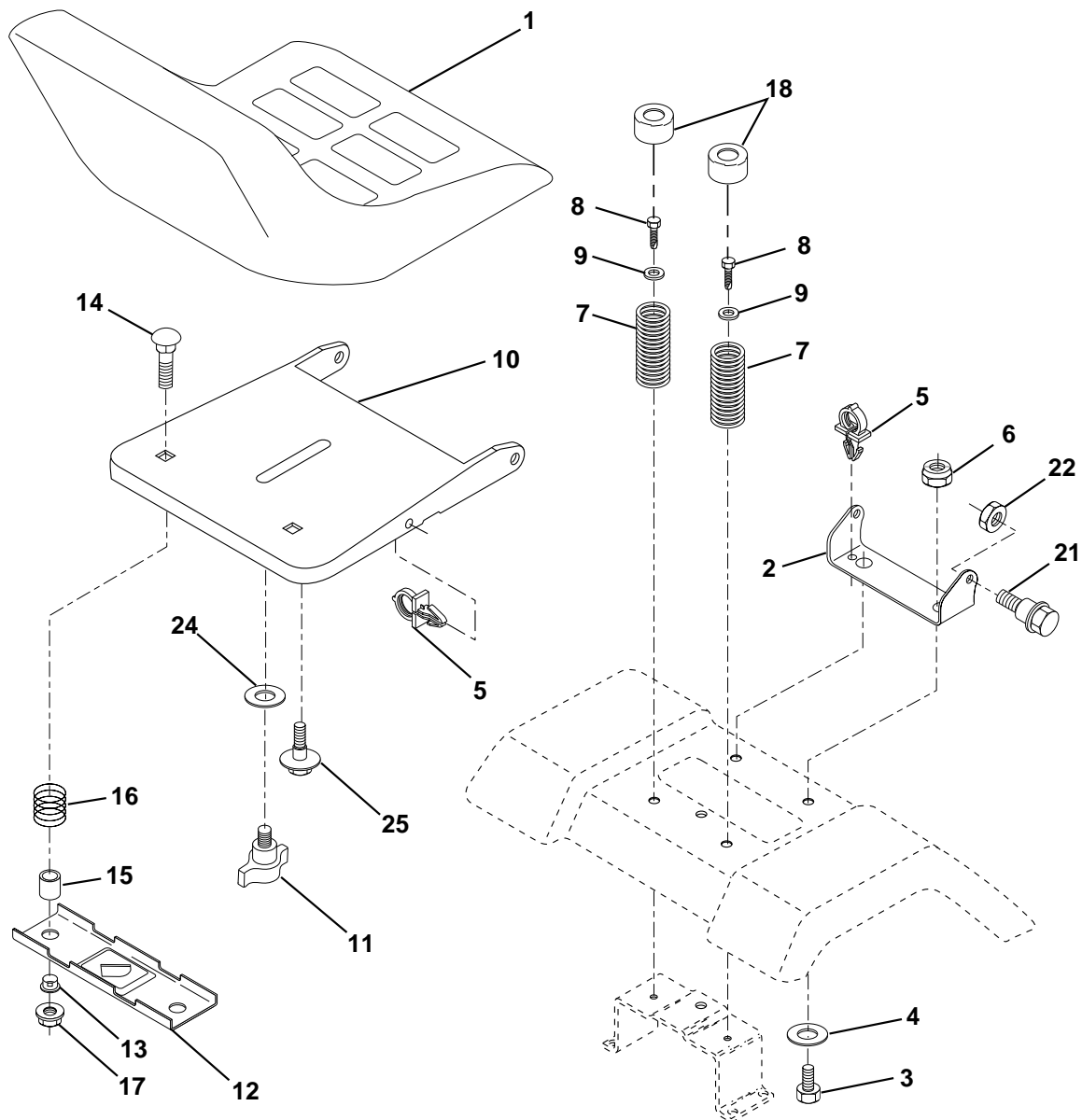
| KEY NO. | PART NO.  | DESCRIPTION                       |
|---------|-----------|-----------------------------------|
| 1       | 532172092 | Wheel Steering                    |
| 2       | 532154427 | Axle Cast LT Machined             |
| 3       | 532169840 | Spindle Asm Cast LH               |
| 4       | 532169839 | Spindle Asm Cast RH               |
| 5       | 532124931 | Bearing Race Thrust Harden        |
| 6       | 532121748 | Washer 25/32 X 1-5/8 X 16 Ga.     |
| 7       | 819272016 | Washer 27/32 x 1-1/4 x 16         |
| 8       | 812000029 | Ring Klip #t5304-75               |
| 9       | 532124937 | Bearing Col. Strg.                |
| 10      | 532175121 | Link Drag                         |
| 11      | 810040600 | Washer Lock Hvy Hlcl Spr 3/8      |
| 13      | 532136518 | Spacer Brg Axle Front             |
| 15      | 532145212 | Nut Hex Flange Lock Yel D         |
| 17      | 532177876 | Shaft Asm Steering                |
| 26      | 532126847 | Bushing Link Drag.                |
| 28      | 819131416 | Washer 13/32 x 7/8 x 16           |
| 29      | 817060612 | Screw 3/8-16x3/4                  |
| 30      | 876020412 | Pin Cotter                        |
| 32      | 532130465 | Rod Tie                           |
| 36      | 532155099 | Bushing Strg                      |
| 37      | 532152927 | Screw TT #32.5 x 5 x 3/8 Flange   |
| 38      | 532172093 | Cap Wheel Steer                   |
| 39      | 819132411 | Washer 13/32 x 1-1/20 x 11 Ga.    |
| 40      | 532124701 | Nut Lock Center 3/8-24 Unf        |
| 41      | 532159945 | Adaptor Wheel Strg                |
| 42      | 532169633 | Boot Dash Steering                |
| 43      | 532121749 | Washer 25/32 X 1 1/4 X 16 Ga      |
| 44      | 532153720 | Extension Steering Non-adjust     |
| 46      | 532121232 | Cap Spindle Fr Top Blk            |
| 47      | 532124836 | Fitting Grease                    |
| 51      | 873800500 | Nut Lock Hex W/Ins 5/16-18 UNC    |
| 54      | 874780520 | Bolt Fin Hex 5/16-18 UNC x 1-1/4  |
| 63      | 874780616 | Bolt Fin Hex 3/8-16 UNC x 1 Gr. 5 |
| 65      | 532160367 | Spacer, Brace Axle                |
| 67      | 872140618 | Bolt Rdhd 3/8-16 x 2-1/4          |
| 68      | 532169827 | Brace, Axle                       |
| 71      | 532175146 | Steering Asm.                     |
| 82      | 532169835 | Bracket Susp Chassis Front 15"    |
| 85      | 532133835 | Fastner Christmas Tree            |
| 88      | 532175118 | Bolt Shoulder 7/16-20             |
| 91      | 532175553 | Clip, Steering                    |

**NOTE:** All component dimensions given in U.S. inches.  
1 inch = 25.4 mm.

# REPAIR PARTS

## TRACTOR - MODEL NUMBER LT15 (JNA1542A)

### SEAT ASSEMBLY



| KEY NO. | PART NO.  | DESCRIPTION                    |
|---------|-----------|--------------------------------|
| 1       | 532140117 | Seat                           |
| 2       | 532140551 | Bracket Pivot Seat 8 720       |
| 3       | 871110616 | Bolt Fin Hex 3/8-16unc X 1     |
| 4       | 819131610 | Washer 13/32 X 1 X 10 Ga       |
| 5       | 532145006 | Clip Push-In                   |
| 6       | 873800600 | Nut Hex w/Ins. 3/8-16 Unc      |
| 7       | 532124181 | Spring Seat Cprsn 2 250 Blk Zi |
| 8       | 817000616 | Screw 3/8-16 X 1               |
| 9       | 819131614 | Washer 13/32 X 1 X 14 Ga.      |
| 10      | 532174894 | Pan Seat                       |
| 11      | 532166369 | Knob Seat Adj Wingnut          |
| 12      | 532121246 | Bracket Mounting Switch        |

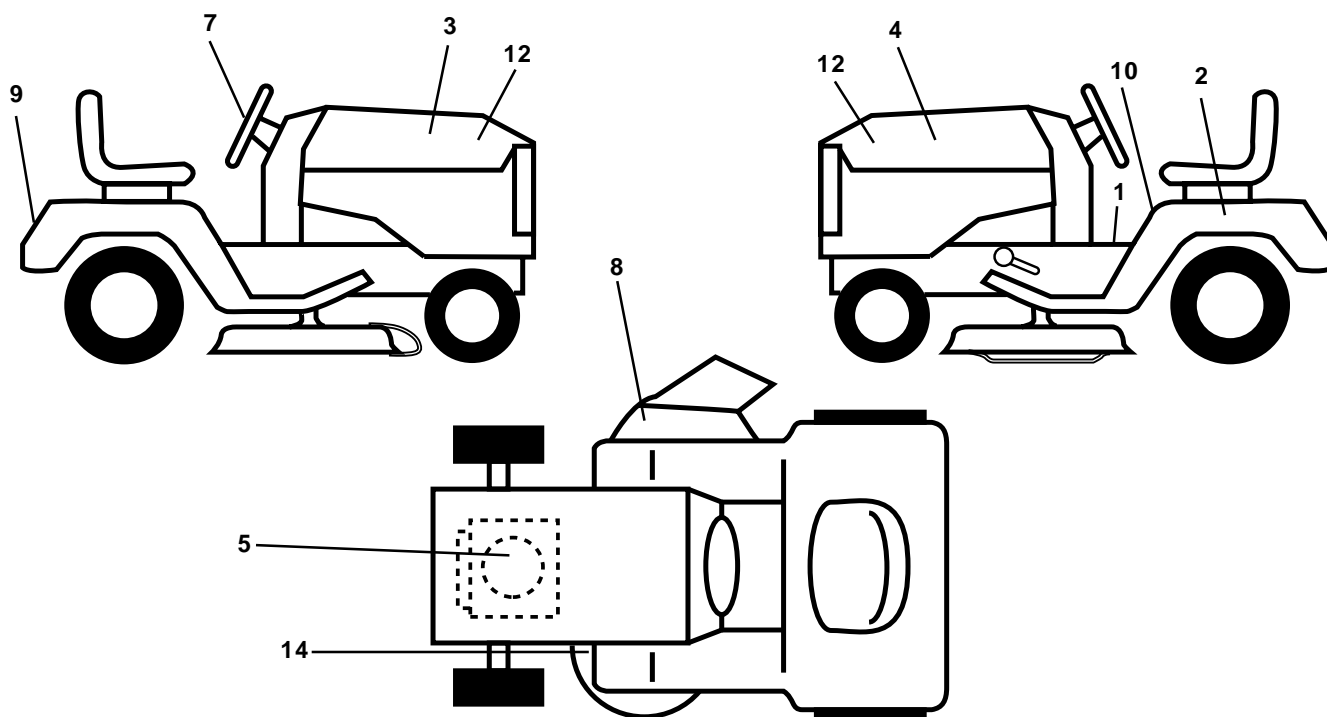
| KEY NO. | PART NO.  | DESCRIPTION                    |
|---------|-----------|--------------------------------|
| 13      | 532121248 | Bushing Snap Blk Nyl 50 Id     |
| 14      | 872050412 | Bolt Rdhd Sqnk 1/4-20x1-1/2    |
| 15      | 532134300 | Spacer Split 28x 96 Yel Zinc   |
| 16      | 532121250 | Spring Cprsn 1 27 Blk Pnt      |
| 17      | 532123976 | Nut Lock 1/4 Lge Flg Gr 5 Zinc |
| 18      | 532124238 | Cap Spring Seat                |
| 21      | 532171852 | Bolt Shoulder 5/16-18 Unc      |
| 22      | 873800500 | Nut Hex Lock W/Ins 5/16-18     |
| 24      | 819171912 | Washer 17/32 X 1-3/16 X 12 Ga. |
| 25      | 532127018 | Bolt Shoulder 5/16-18 X 62     |

**NOTE:** All component dimensions given in U.S. inches.  
1 inch = 25.4 mm

# REPAIR PARTS

## TRACTOR - MODEL NUMBER LT15 (JNA1542A)

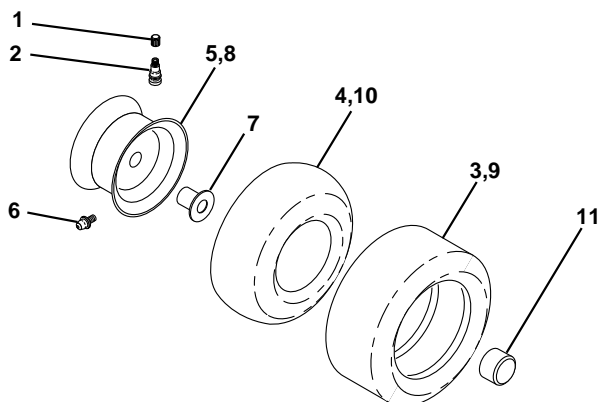
### DECALS



| KEY NO. | PART NO.  | DESCRIPTION          |
|---------|-----------|----------------------|
| 1       | 532156369 | Decal Oper. Inst.    |
| 2       | 532145005 | Decal Battery        |
| 3       | 532170691 | Decal Hood RH        |
| 4       | 532170692 | Decal Hood LH        |
| 5       | 532170846 | Decal HP Engine      |
| 7       | 532170565 | Decal Wheel Steering |
| 8       | 532170563 | Decal Warning        |
| 9       | 532141761 | Decal Fender         |

| KEY NO. | PART NO.  | DESCRIPTION                    |
|---------|-----------|--------------------------------|
| 10      | 532157140 | Decal Fender Danger E/F        |
| 12      | 532162927 | Decal Hood Logo                |
| 14      | 532160396 | Decal V-Belt Schematic         |
| --      | 532171284 | Pad Footrest LH                |
| --      | 532138311 | Decal Handle Lft Height Adjust |
| --      | 532171285 | Pad Footrest RH                |
| --      | 532175736 | Manual Owner's (English)       |
| --      | 532175737 | Manual Owner's (French)        |

### WHEELS & TIRES



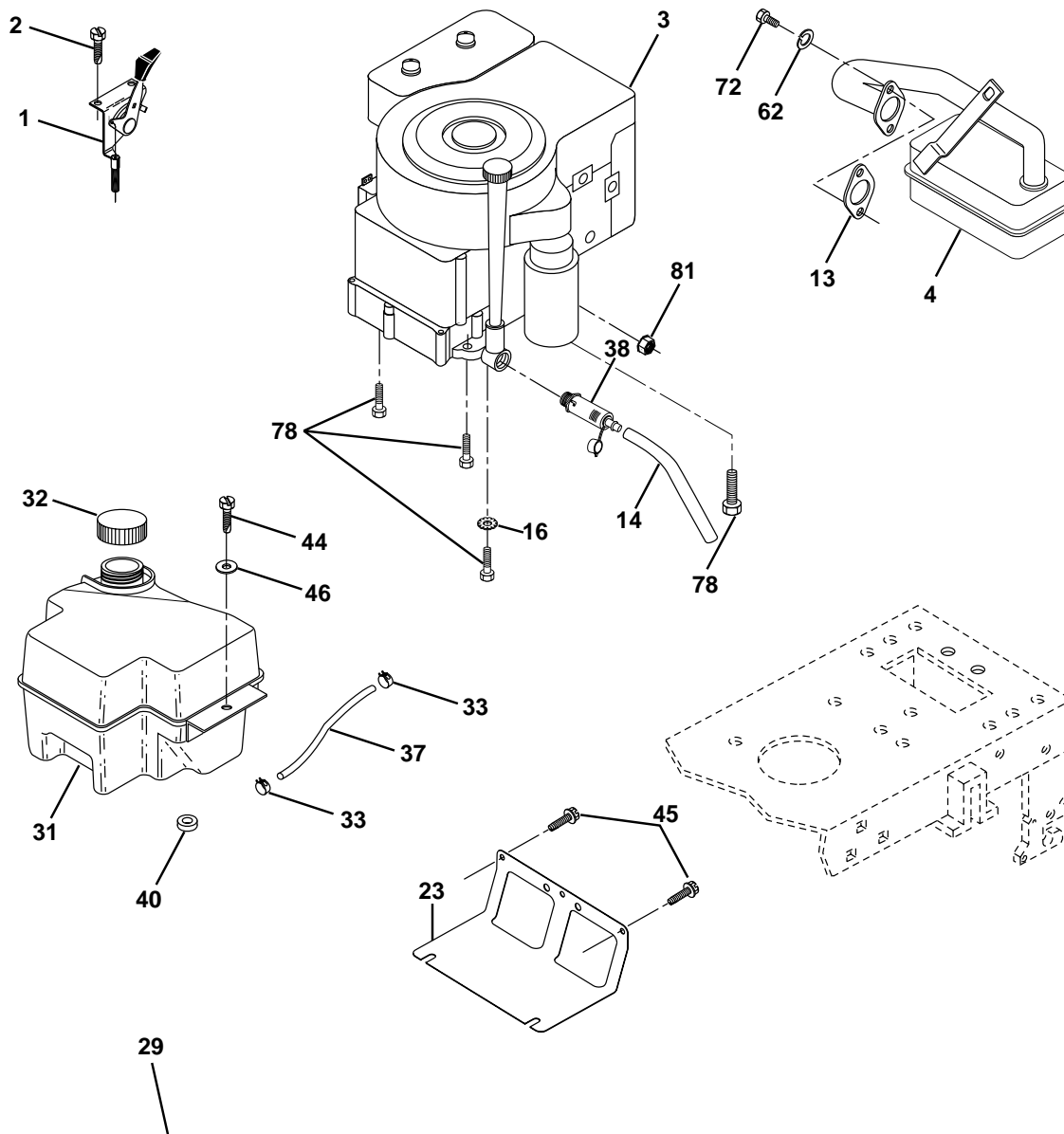
| KEY NO. | PART NO.  | DESCRIPTION                       |
|---------|-----------|-----------------------------------|
| 1       | 532059192 | Cap Valve Tire                    |
| 2       | 532065139 | Stem Valve                        |
| 3       | 532106222 | Tire F Ts 15 X 6 0 - 6 Service    |
| 4       | 532059904 | Tube Front (Service Item Only)    |
| 5       | 532138336 | Rim Asm 6"front Silver Service    |
| 6       | 532124957 | Fitting Grease (Front Wheel Only) |
| 7       | 532124959 | Bearing Flange (Front Wheel Only) |
| 8       | 532138337 | Rim Asm 8"rear Silver Service     |
| 9       | 532122082 | Tire R Ts 20x10-8 C Service       |
| 10      | 532124926 | Tube Rear (Service Item Only)     |
| 11      | 532175039 | Cap Axle Blk 1 50 X 1 00          |
| --      | 532144334 | Sealant, Tire ( 10 oz. Tube)      |

**NOTE:** All component dimensions given in U.S. inches  
1 inch = 25.4 mm

# REPAIR PARTS

## TRACTOR - MODEL NUMBER LT15 (JNA1542A)

### ENGINE



**OPTIONAL EQUIPMENT**  
**Spark Arrester**

| KEY NO. | PART NO.  | DESCRIPTION   |
|---------|-----------|---|
| 1       | 532170551 | Control Th/ch Flag Dom.   |
| 2       | 817720410 | Screw Hex Thd Ext Cut 1/4-20x5/8 T                                |
| 3       | -----     | Engine B&S Model 287707<br>(Order parts from engine manufacturer) |
| 4       | 532137352 | Muffler   |
| 13      | 532165291 | Gasket  |
| 14      | 532148456 | Tube Drain Oil Easy   |
| 16      | 811050600 | Washer Lock Ext Tooth 3/8   |
| 23      | 532169837 | Shield BRN/DBR Guard  |
| 29      | 532137180 | Kit Spark Arrestor (Flat Scrm)                                    |
| 31      | 532174642 | Tank Fuel   |
| 32      | 532140527 | Cap Asm Fuel W/sym Vented   |

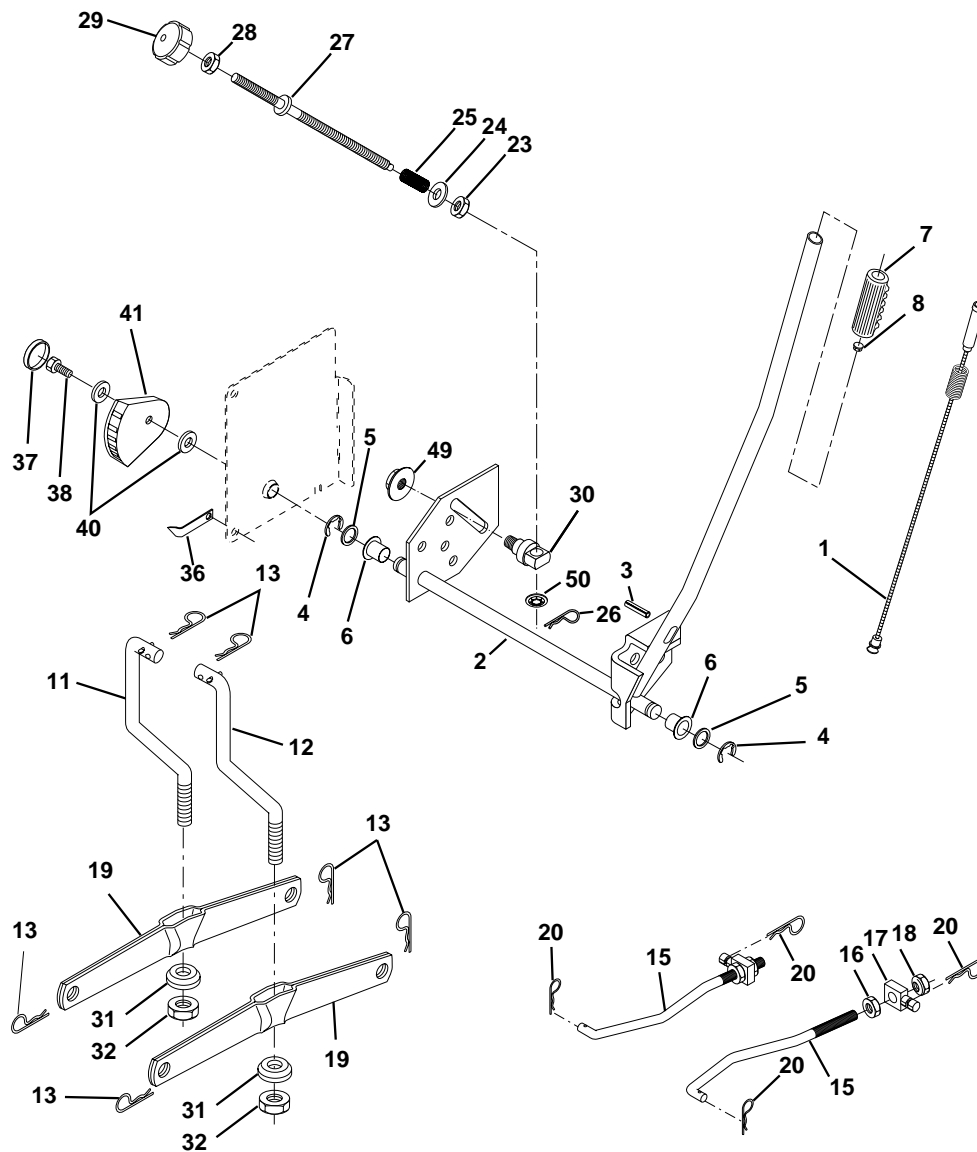
| KEY NO. | PART NO.  | DESCRIPTION                       |
|---------|-----------|-----------------------------------|
| 33      | 532123487 | Clamp Hose Black                  |
| 37      | 532137040 | Line Fuel                         |
| 38      | 532148315 | Plug Drain Oil Easy               |
| 40      | 532124028 | Bushing Snap Nyl Black Fuel Line  |
| 44      | 817670412 | Screw Hex Wsh Thdrol 1/4-20 x 3/4 |
| 45      | 817000612 | Screw Hex Wsh Thdrol 3/8-16 x 3/4 |
| 46      | 819091416 | Washer 9/32 x 7/8 x 16 Ga.        |
| 62      | 810040500 | Washer Lock Hvy Hlcl Spr. 5/16    |
| 72      | 871070512 | Screw Hex Hd Cap 5/16-18 x 3/4    |
| 78      | 817060620 | Screw 3/8-16 x 1-1/4              |
| 81      | 873510400 | Nut Keps Hex 1/4-20 Unc           |

**NOTE:** All component dimensions given in U.S. inches  
1 inch = 25.4 mm

# REPAIR PARTS

## TRACTOR - MODEL NUMBER LT15 (JNA1542A)

### MOWER LIFT



| KEY NO. | PART NO.  | DESCRIPTION               |
|---------|-----------|---------------------------|
| 1       | 532159460 | Wire Asm Inner W/plunger  |
| 2       | 532159471 | Shaft Asm Lift RH w/Inf   |
| 3       | 532105767 | Pin Groove 1 500 Zinc     |
| 4       | 812000002 | E Ring #5133-62           |
| 5       | 819211621 | Washer 21/32 X 1 X 21 Ga  |
| 6       | 532120183 | Bearing Nylon Blk 629 Id  |
| 7       | 532125631 | Grip Handle Fluted Blk    |
| 8       | 532124526 | Button Plunger Black      |
| 11      | 532139865 | Link Lift LH Fixed Length |
| 12      | 532139866 | Link Lift RH Fixed Length |
| 13      | 532124670 | Retainer Spring           |
| 15      | 532173288 | Link Front                |
| 16      | 873350800 | Nut Jam Hex 1/2-13 Unc    |
| 17      | 532130171 | Trunnion Blk Zinc         |
| 18      | 873800800 | Nut Lock w/Wsh 1/2-13unc  |
| 19      | 532139868 | Arm Suspension Rear       |
| 20      | 532163552 | Retainer Spring           |
| 23      | 532110807 | Nut Special               |

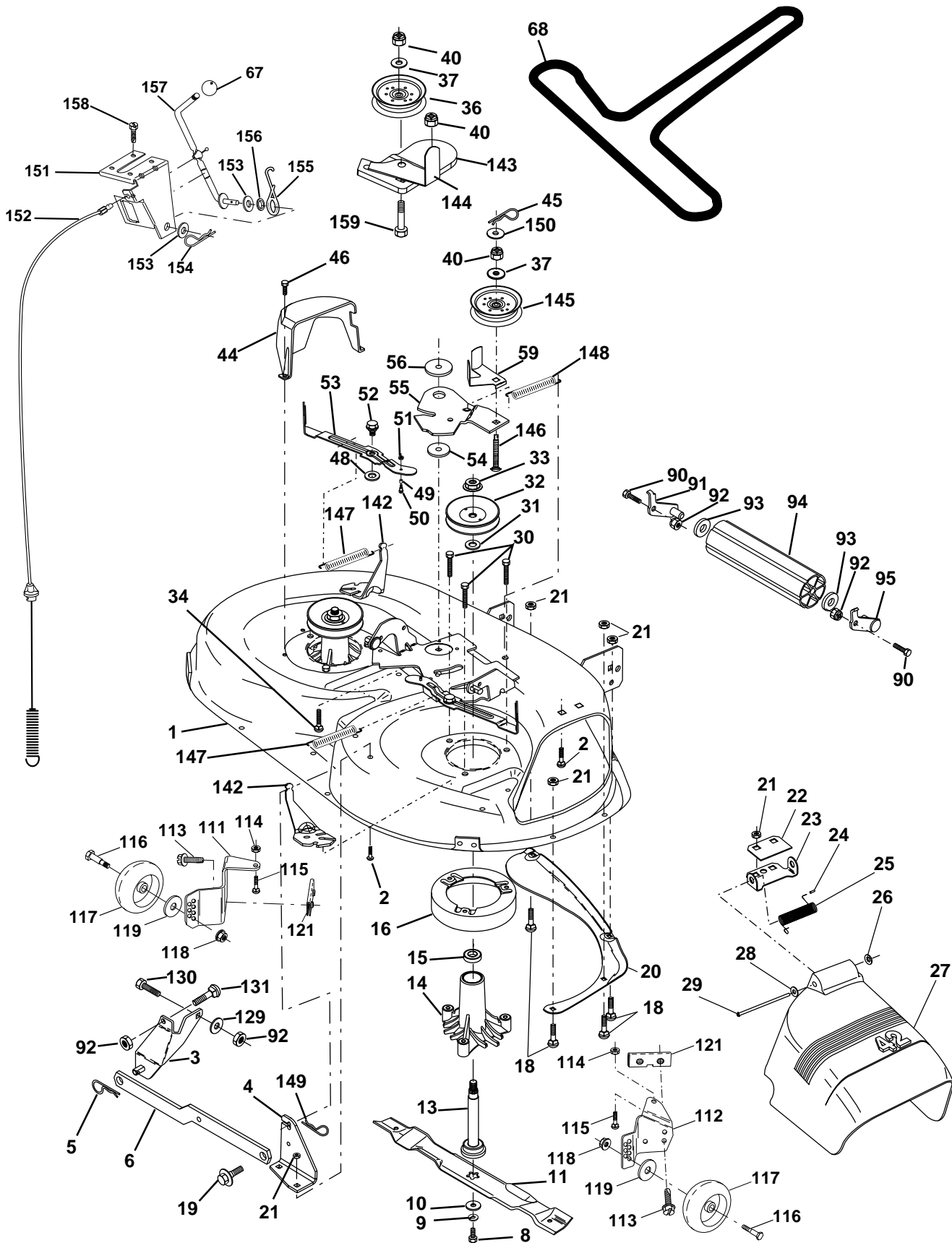
| KEY NO. | PART NO.  | DESCRIPTION                    |
|---------|-----------|--------------------------------|
| 24      | 819131016 | Washer 13/32 X 5/8 X 16 Ga     |
| 25      | 532124874 | Spring 2-1/8"                  |
| 26      | 532169484 | Retainer Clip                  |
| 27      | 532126971 | Rod Adj Lift Zinc 7.49 Wrk Lg  |
| 28      | 873350600 | Nut Hex Jam 3/8-16 Unc         |
| 29      | 532138057 | Knob Inf 3/8-16 Unc Blk W/sym  |
| 30      | 532150233 | Trunnion Infin Height          |
| 31      | 532169865 | Bearing Pvt Lift               |
| 32      | 873540600 | Nut Crownlock 3/8 - 24         |
| 36      | 532155097 | Pointer Height Indicator       |
| 37      | 532123935 | Plug Hole Blk 1.485/1.515 Dia. |
| 38      | 817060516 | Screw 5/16-18 x 1              |
| 40      | 819112410 | Washer 11/32 x 1-1/2 10 Ga.    |
| 41      | 532155098 | Indicator Height STLT          |
| 49      | 532145212 | Nut Hex Flange Lock            |
| 50      | 532110452 | Nut Phos & Oil                 |

**NOTE:** All component dimensions given in U.S. inches  
1 inch = 25.4 mm

# REPAIR PARTS

## TRACTOR - MODEL NUMBER LT15 (JNA1542A)

### MOWER DECK



# REPAIR PARTS

## TRACTOR - MODEL NUMBER LT15 (JNA1542A)

### MOWER DECK

| KEY NO. | PART NO.  | DESCRIPTION                       | KEY NO. | PART NO.  | DESCRIPTION  |
|---------|-----------|-----------------------------------|---------|-----------|--|
| 1       | 532165892 | Mower Deck Assembly, 42"          | 67      | 532106932 | Knob 3/8-16  |
| 2       | 872140506 | Bolt                              | 68      | 532144959 | V-Belt   |
| 3       | 532138017 | Bracket Assembly, Sway Bar, Front | 90      | 874760616 | Bolt Fin Hex 3/8-16 Unc x 1  |
| 4       | 532165460 | Bracket Sway Bar 38/42" Deck      | 91      | 532132274 | Bracket Asm Noseroller Lh  |
| 5       | 532124670 | Retainer Spring                   | 92      | 873800600 | Nut Lock Hex w/Ins. 3/8-16 Unc   |
| 6       | 532130832 | Arm, Suspension, Rear             | 93      | 819171416 | Washer 17/32 x 7/8 x 16 Ga.  |
| 8       | 532850857 | Bolt, Hex 3/8-24 x 1.25 Gr. 8     | 94      | 532132264 | Roller Nose 38"-50"  |
| 9       | 810030600 | Washer, Lock                      | 95      | 532132273 | Bracket Asm Noseroller Rh  |
| 10      | 532140296 | Washer, Hardened                  | 111     | 532155197 | Bracket, Gauge, Wheel L.H.   |
| 11      | 532138498 | Blade Mower 42" High Perf.        | 112     | 532155198 | Bracket, Gauge, Wheel R.H.   |
|         | 532134149 | Blade, Mulching                   | 113     | 817060514 | Screw Tapping 5/16-18 Unc  |
| 13      | 532137645 | Shaft Assembly, Mandrel, Vented   | 114     | 873510500 | Nut, Hex, Keps 5/16-18 UNC   |
| 14      | 532128774 | Housing, Mandrel, Vented          | 115     | 872110504 | Bolt, Carriage 5/16 UNC x 1/2  |
| 15      | 532110485 | Bearing, Ball, Mandrel            | 116     | 532124842 | Bolt, Shoulder   |
| 16      | 532140329 | Stripper                          | 117     | 532165746 | Wheel, Gauge   |
| 18      | 872140505 | Bolt, Carriage 5/16-18 x 5/8      | 118     | 873930600 | Nut, Centerlock 3/8-16   |
| 19      | 532132827 | Bolt, Shoulder                    | 119     | 819121414 | Washer 3/8 x 7/8 x 14 Gauge  |
| 20      | 532159770 | Baffle, Vortex                    | 121     | 532143723 | Bracket  |
| 21      | 873680500 | Nut Crownlock 5/16-18 UNC         | 129     | 819131312 | Washer 13/32 x 13/16 x 12  |
| 22      | 532134753 | Stiffener Bracket                 | 130     | 874780616 | Bolt Fin Hex 3/8-16 x 1  |
| 23      | 532131267 | Bracket, Deflector                | 131     | 872140608 | Bolt Rdhd Sqk 3/8-16 x 1   |
| 24      | 532105304 | Cap, Sleeve                       | 142     | 532165890 | Arm Spring Brake Mower   |
| 25      | 532123713 | Spring, Torsion, Deflector        | 143     | 532157109 | Bracket Arm Idler 42"  |
| 26      | 532110452 | Nut, Push                         | 144     | 532158634 | Keeper Belt 42" Clutch Cable   |
| 27      | 532171859 | Shield, Deflector                 | 145     | 532165888 | Pulley Idler Flat  |
| 28      | 819111016 | Washer 11/32 x 5/8 x 16 Ga.       | 146     | 532171977 | Bolt Carriage Idler  |
| 29      | 532131491 | Rod, Hinge                        | 147     | 532131335 | Spring Extension   |
| 30      | 532157722 | Screw Thdrol Washer Head          | 148     | 532169022 | Spring Return Idler  |
| 31      | 532129963 | Washer, Spacer                    | 149     | 532165898 | Retainer Spring Yellow Zinc  |
| 32      | 532153535 | Pulley, Mandrel                   | 150     | 819091216 | Washer 9/32 x 3/4 x 16 Ga.   |
| 33      | 532137266 | Nut, Toplock, Flanged             | 151     | 532169670 | Bracket Clutch Cable   |
| 34      | 872110614 | Bolt                              | 152     | 532169676 | Cable Clutch   |
| 36      | 532131494 | Pulley, Idler, Flat               | 153     | 532169674 | Washer Flat  |
| 37      | 819131316 | Washer 13/32 x 13/16 x 16 Gauge   | 154     | 532169675 | Spring Retainer  |
| 40      | 873680600 | Nut Crownlock 3/8-16 UNC          | 155     | 532169671 | Spring Retention Lever   |
| 44      | 532140088 | Guard, Mandrel, L.H.              | 156     | 532169672 | Spacer   |
| 45      | 532124788 | Retainer                          | 157     | 532169669 | Rod Clutch 42"   |
| 46      | 532137729 | Screw, Thd. Roll 1/4-20 x 5/8     | 158     | 817720410 | Screw Hex Thd 1/4-20 x 5/8   |
| 48      | 532133944 | Washer Hardened                   | 159     | 872140614 | Bolt Rdhd Sqk 3/8-16 UNC x 1- 3/4  |
| 49      | 532174284 | Roller Asm. Cam                   | --      | 532130794 | Mandrel Assembly (Includes Key Numbers 8-10, 13-15, 31 and 32)   |
| 50      | 532131340 | Bolt Shld 10-24 Gr. 5             | --      | 532171491 | Mower Deck, Complete (Standard Deck, Order Separately Noseroller, and Gauge Wheel Components, Key Nos. 90-95, and 111-121) |
| 51      | 532069180 | Nut Lock 10-24                    |         |           |  |
| 52      | 532139888 | Bolt Shld 5/16-18                 |         |           |  |
| 53      | 532131845 | Arm Asm. Pad Brake                |         |           |  |
| 54      | 532133943 | Washer, Hardened                  |         |           |  |
| 55      | 532155046 | Arm, Idler                        |         |           |  |
| 56      | 532165723 | Spacer, Retainer                  |         |           |  |
| 59      | 532141043 | Guard, TUV Idler                  |         |           |  |

**NOTE:** All component dimensions given in U.S. inches  
1 inch = 25.4 mm